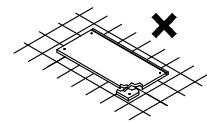
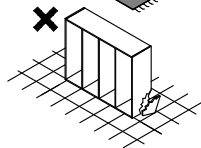
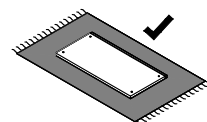
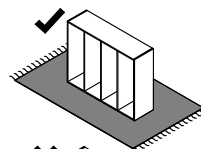
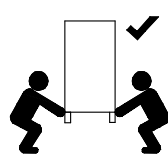
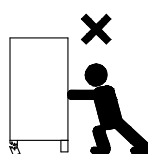
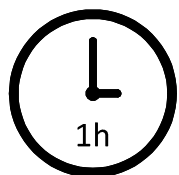
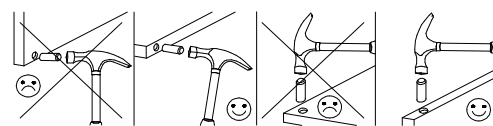
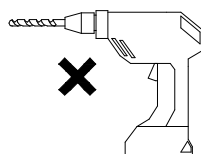
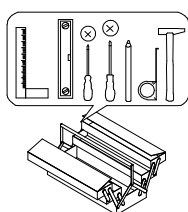
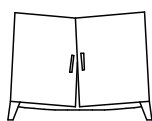
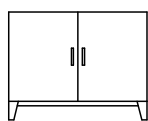
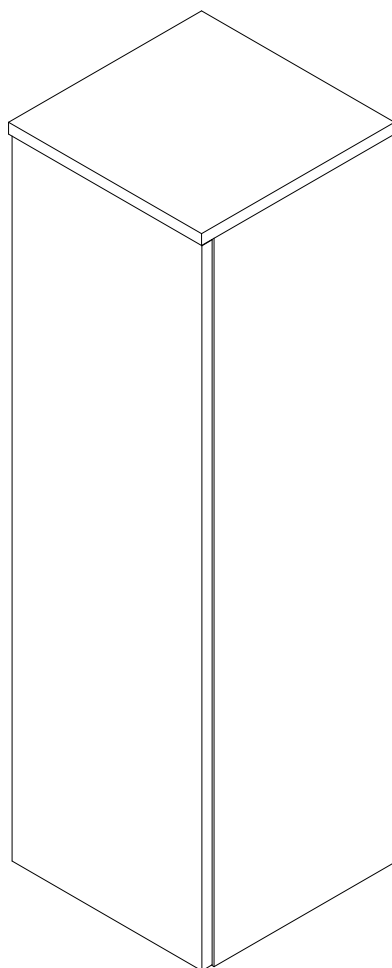
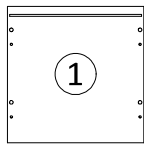
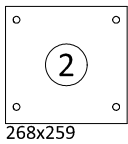


# Słupek wiszący 100 1D L/R

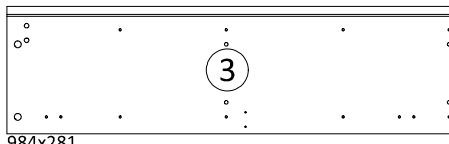




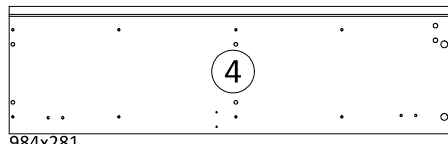
301x301



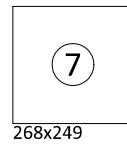
268x259



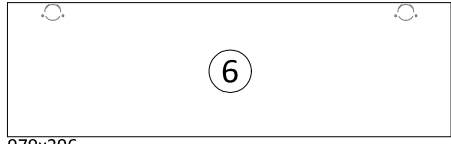
984x281



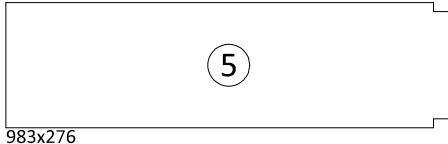
984x281



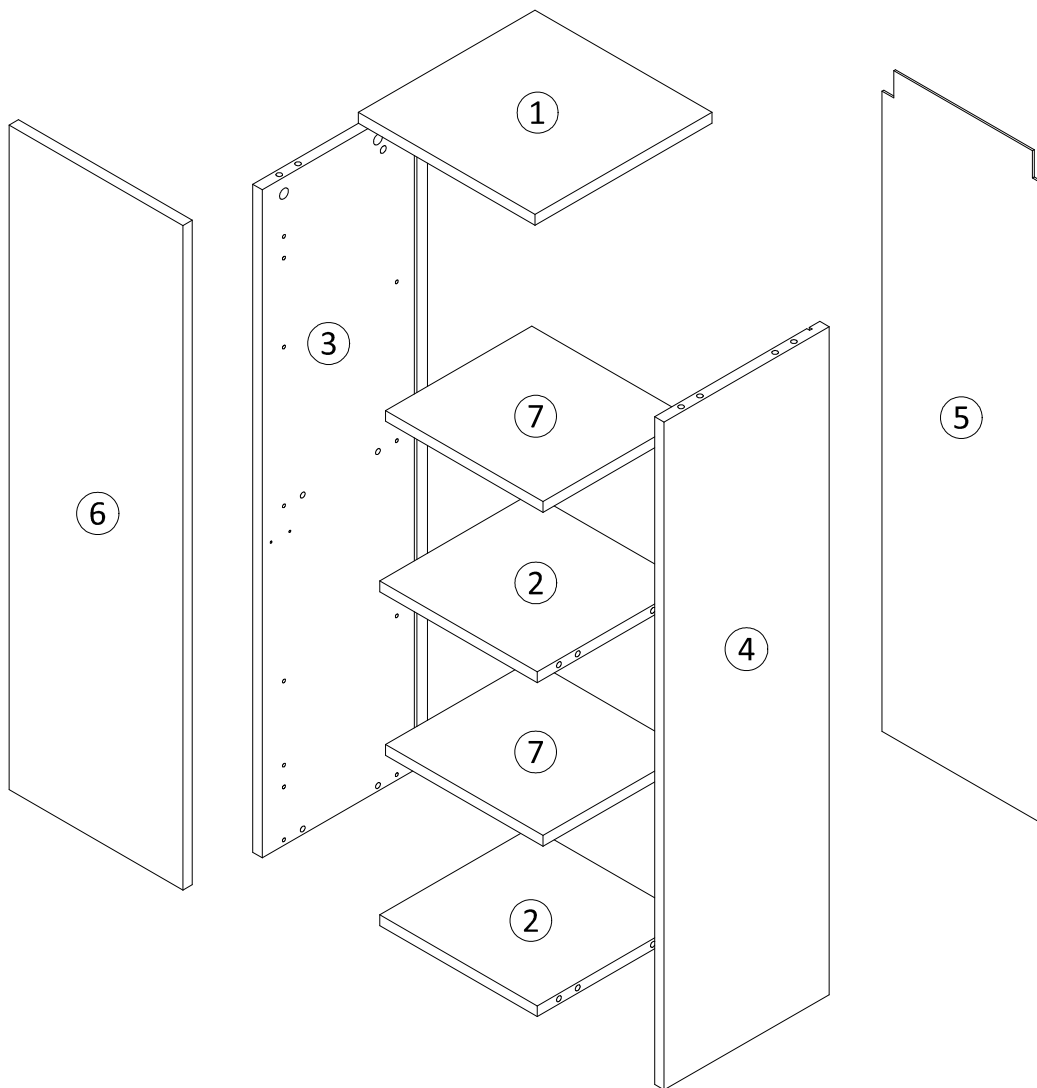
268x249

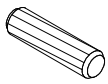
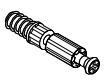

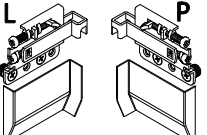
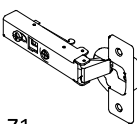
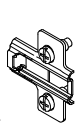

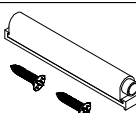
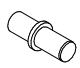

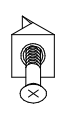

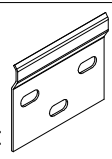
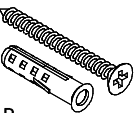


979x296

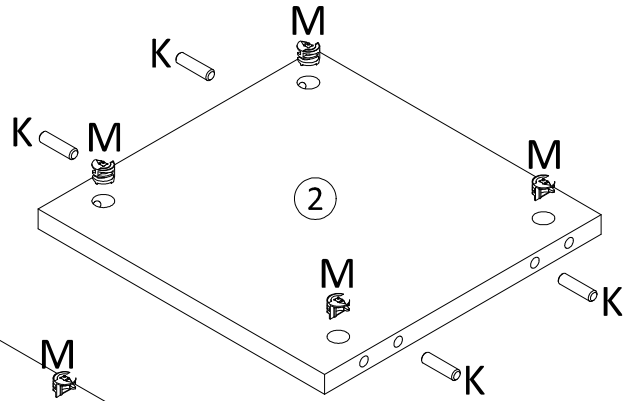
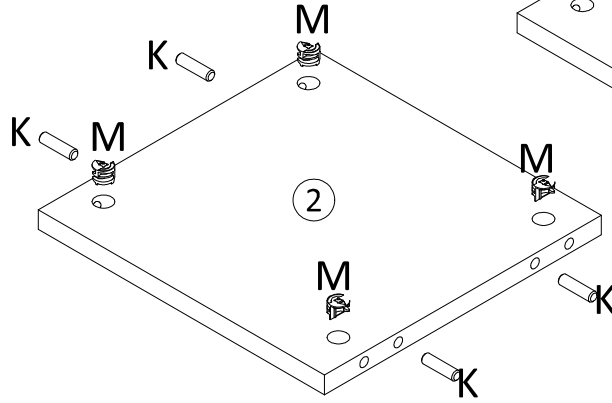
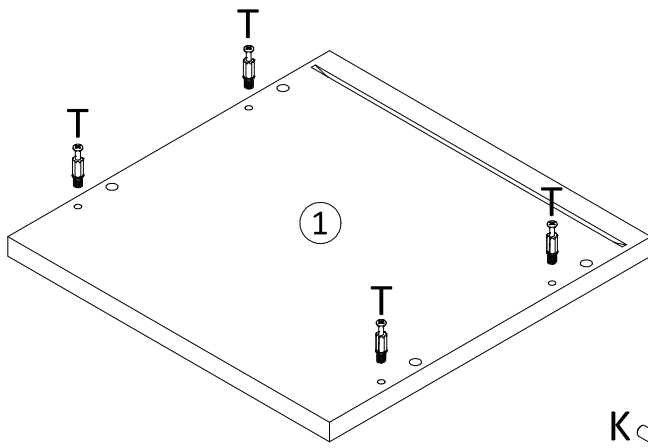
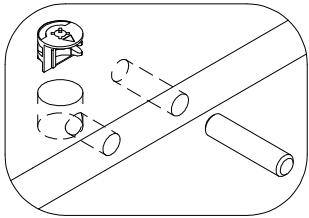
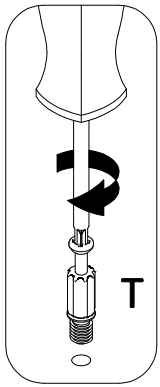




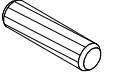
983x276

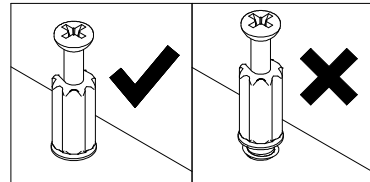


 K	 T	 M	 ZC						
12x	12x	12x	1x						
 Z1	 PZ	 W4	 TP+TW	 P	 ZM	 S	 G	 PC	 R
2x	2x	4x	1x	8x	12x	5x	4x	2x	4x

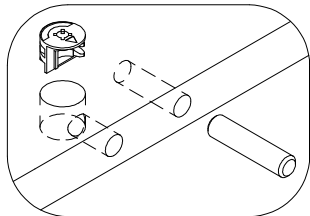
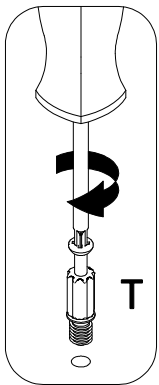
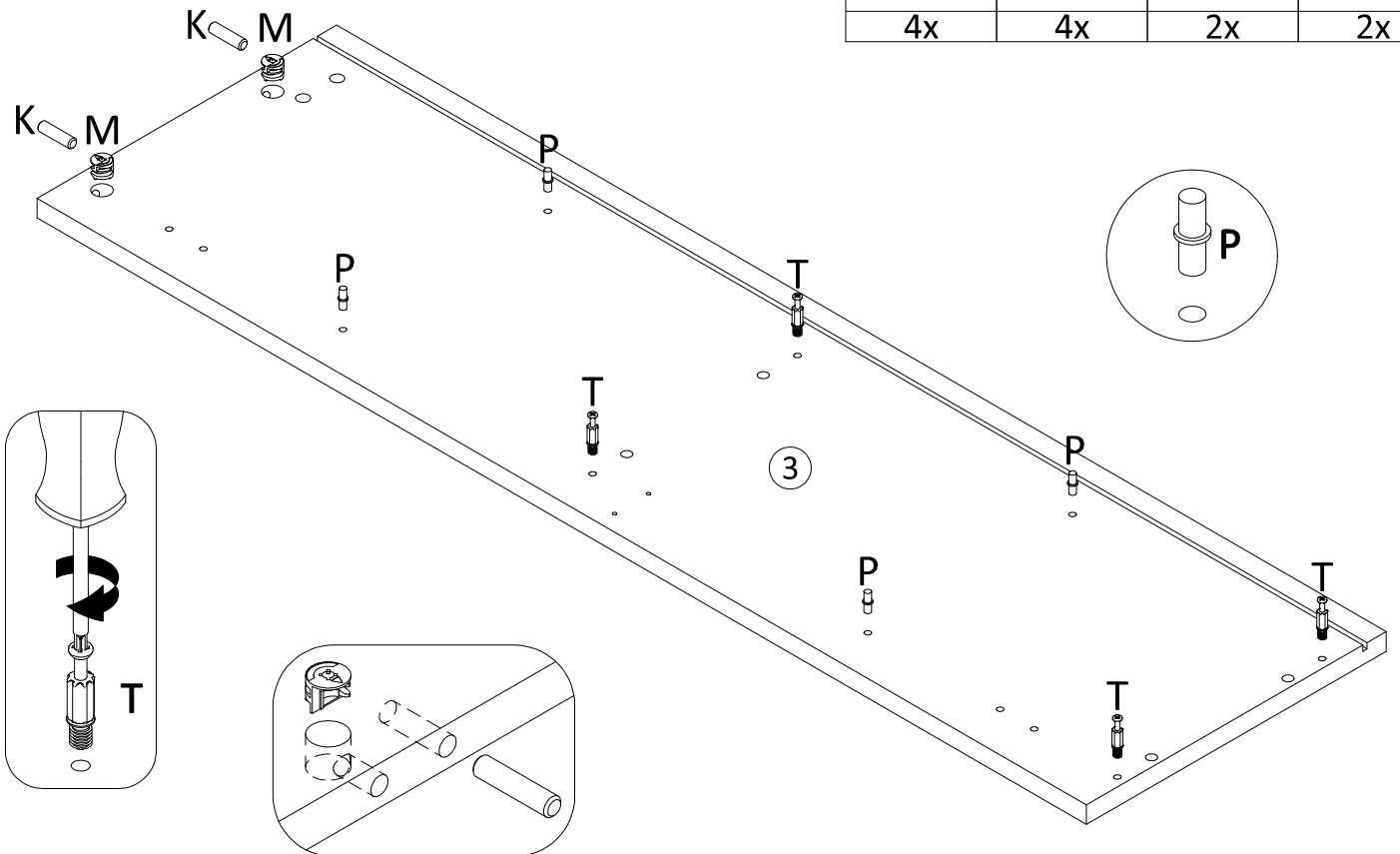
# 1

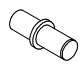
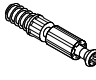

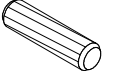


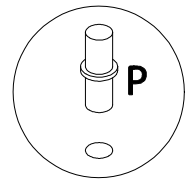
		
T	M	K
4x	8x	8x



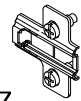
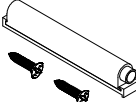
# 2

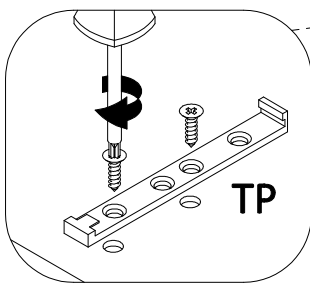
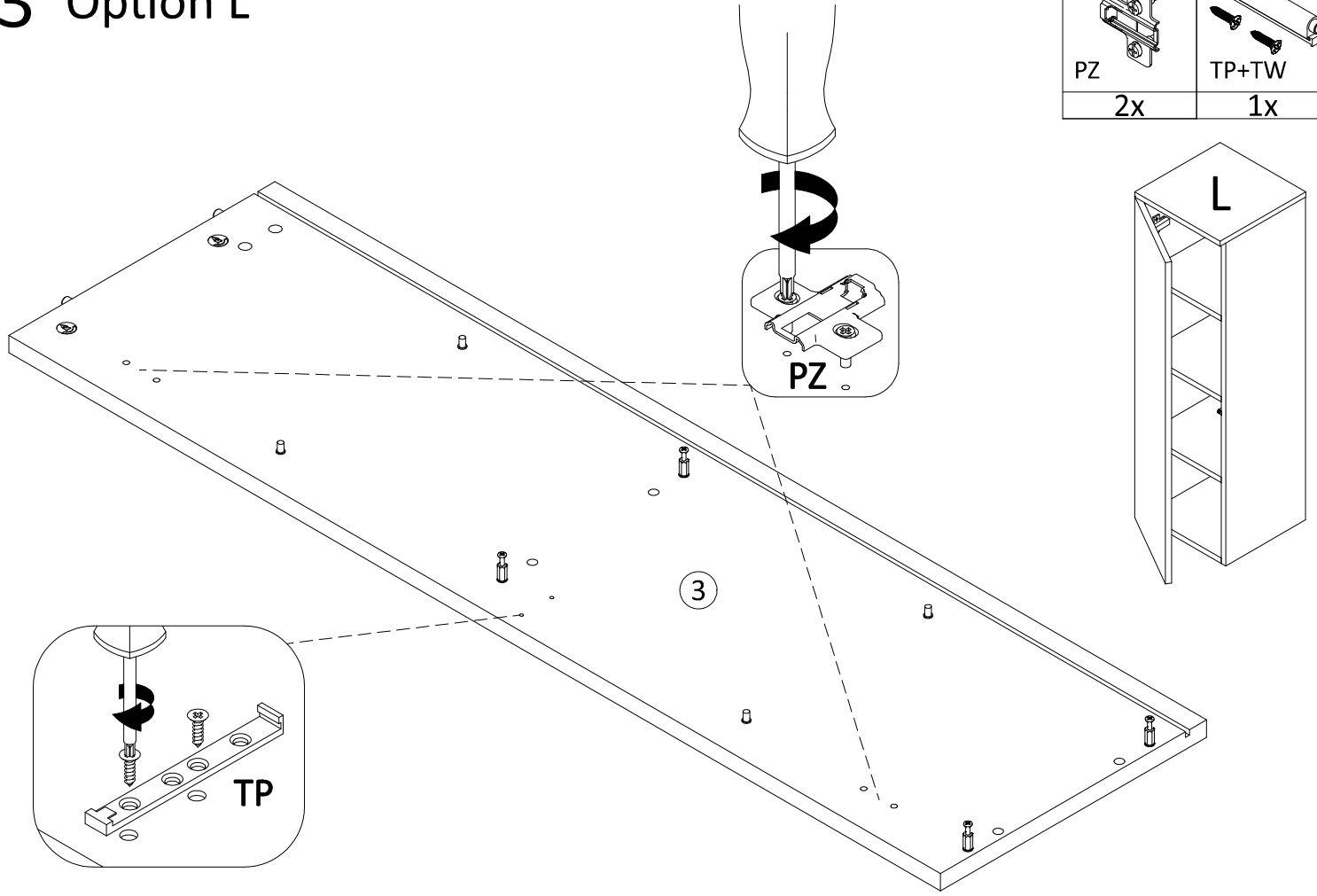


			
P	T	M	K
4x	4x	2x	2x

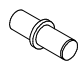
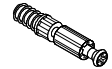

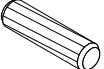


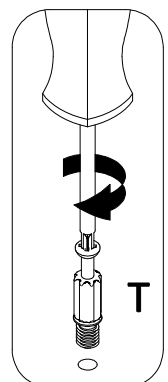
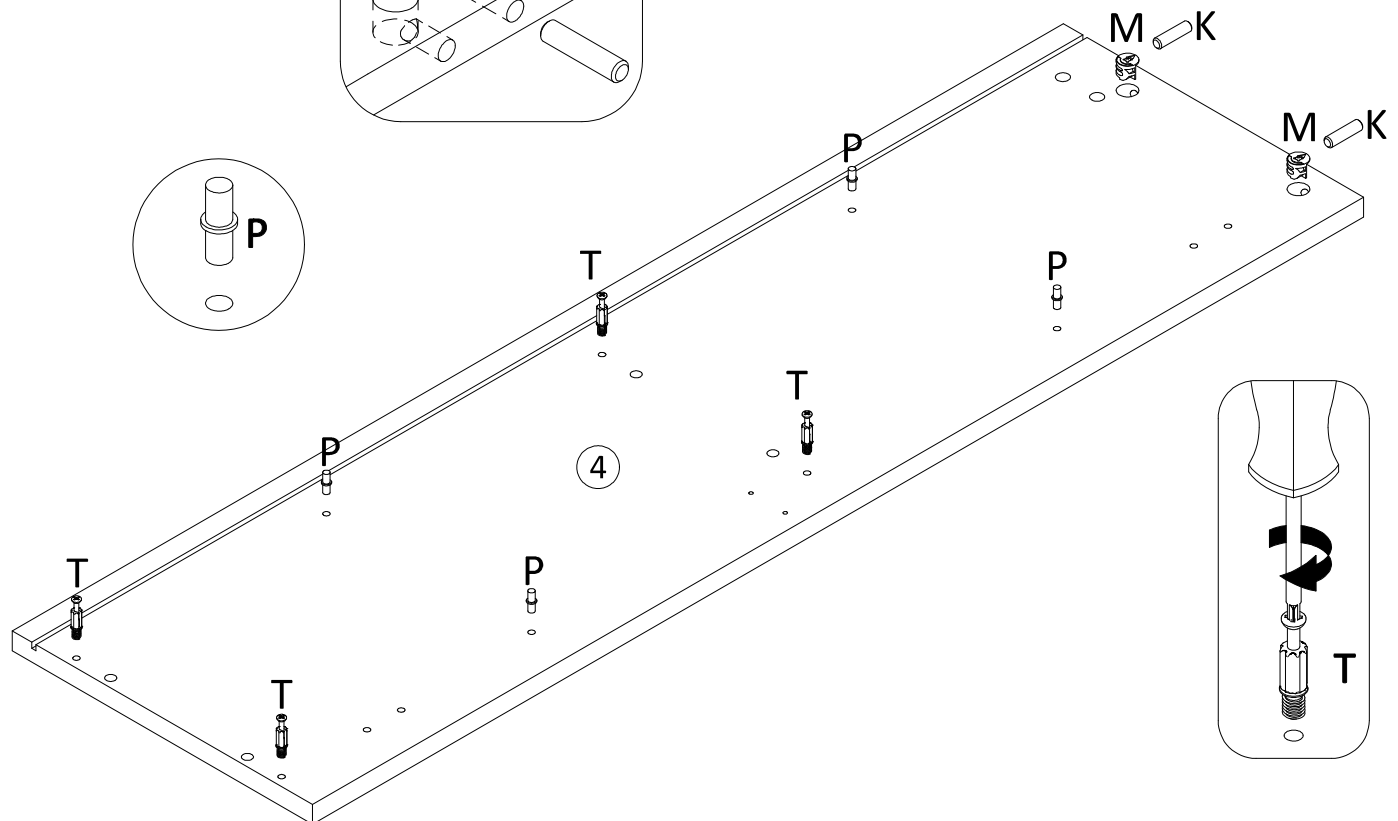
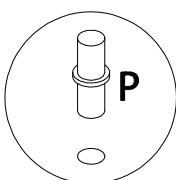
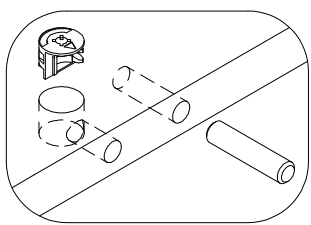
# 3 Option L

	
PZ	TP+TW
2x	1x

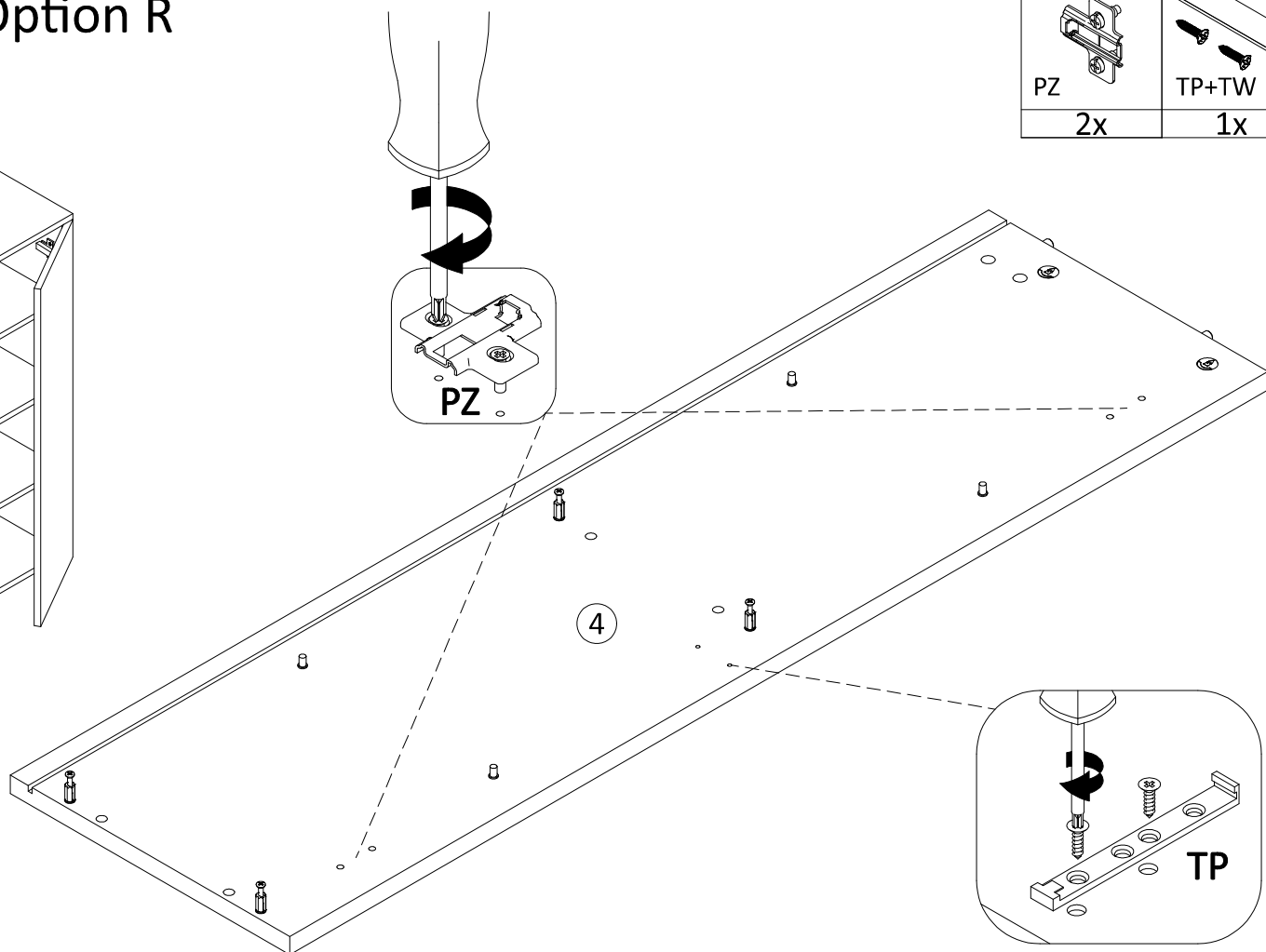
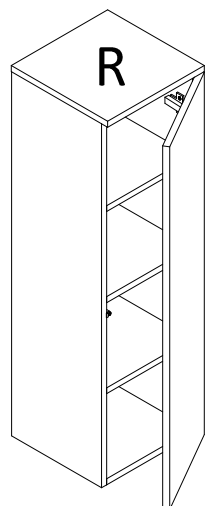


# 4

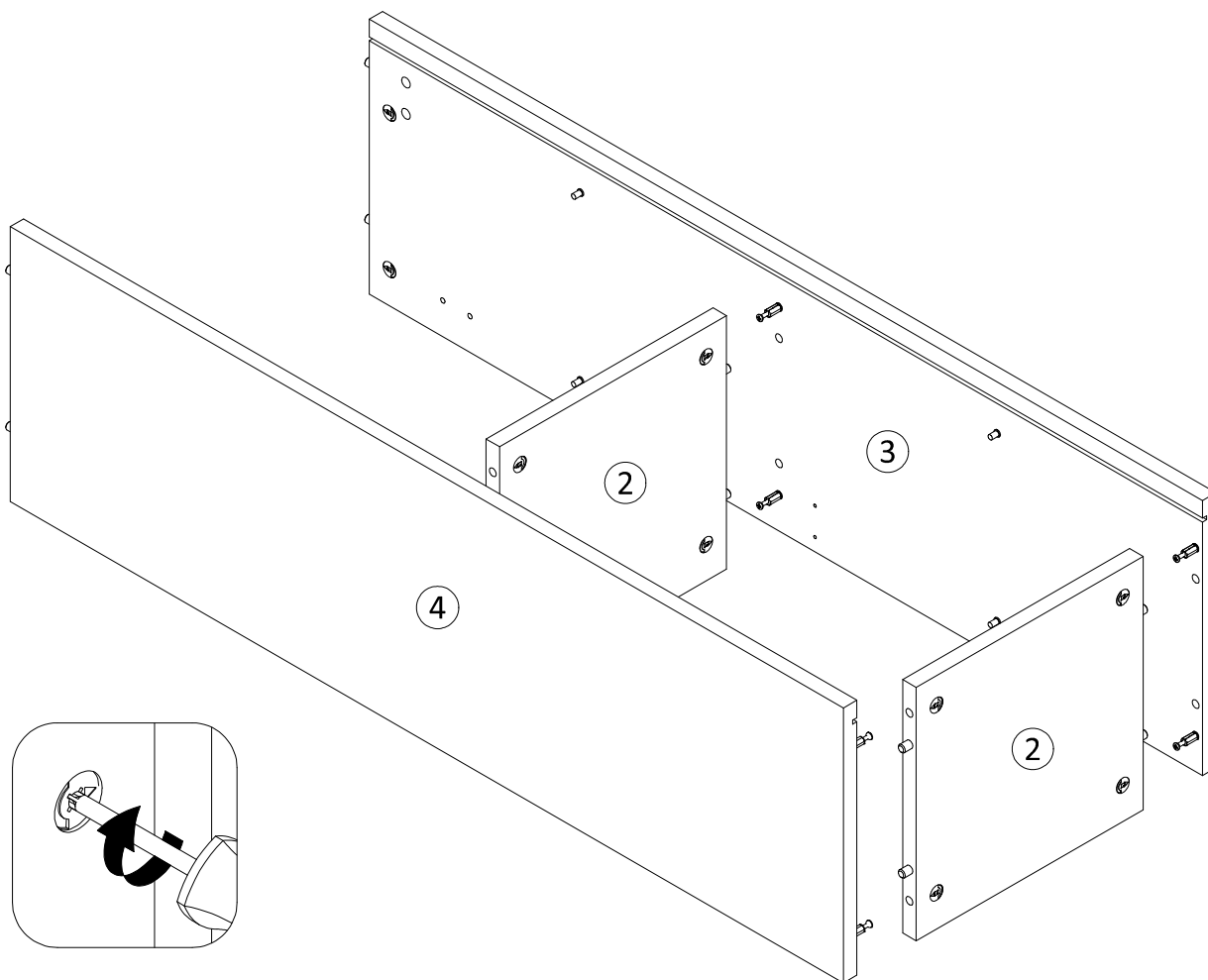
			
P	T	M	K
4x	4x	4x	2x



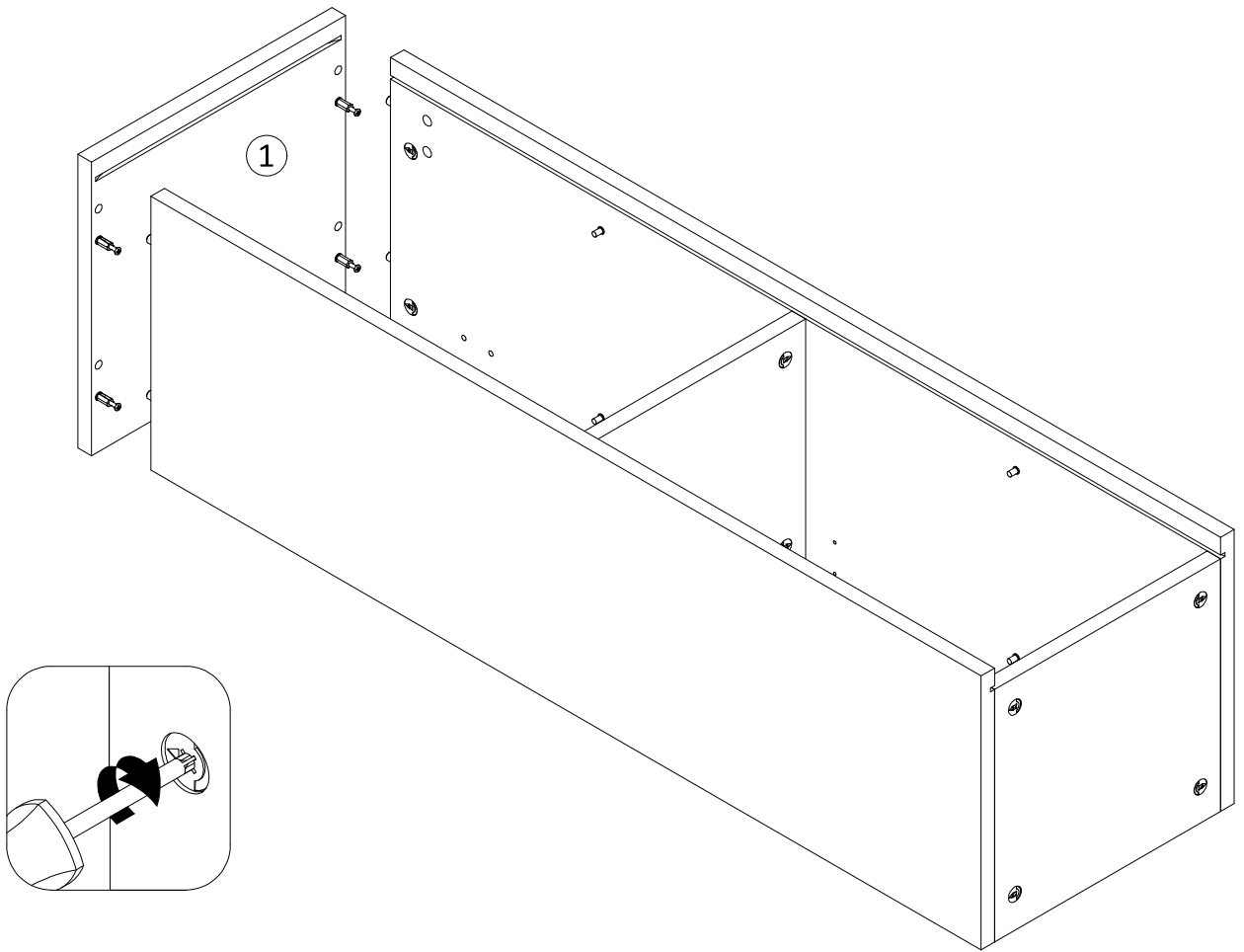
# 5 Option R



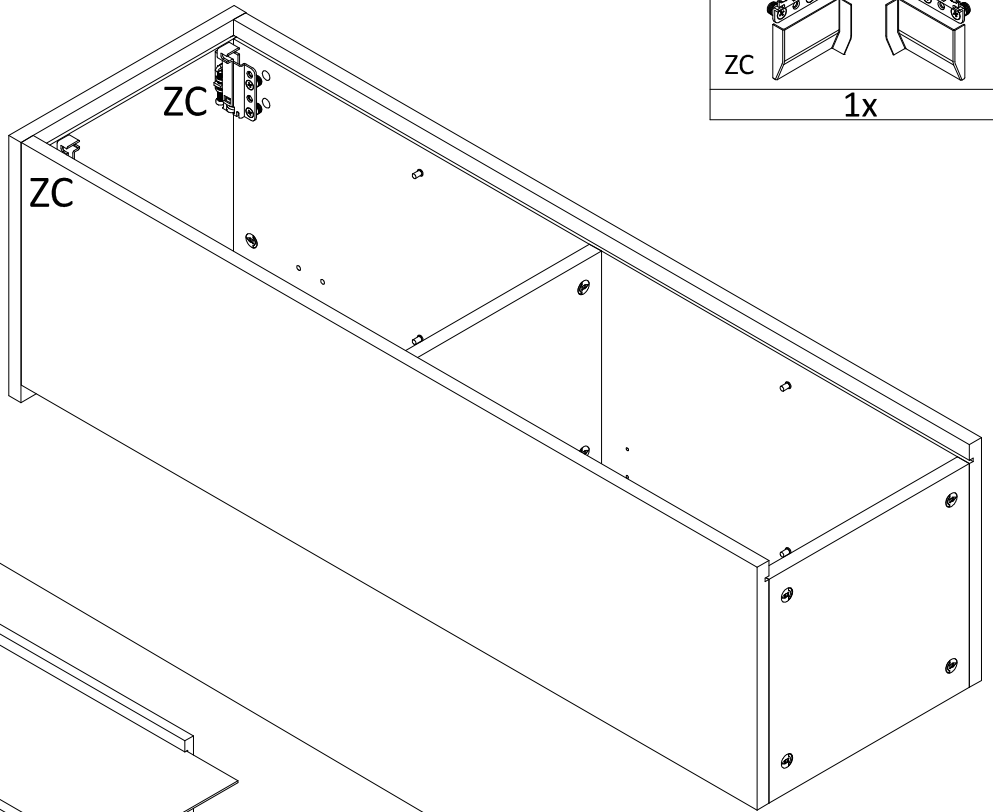
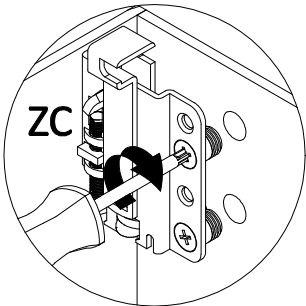
# 6



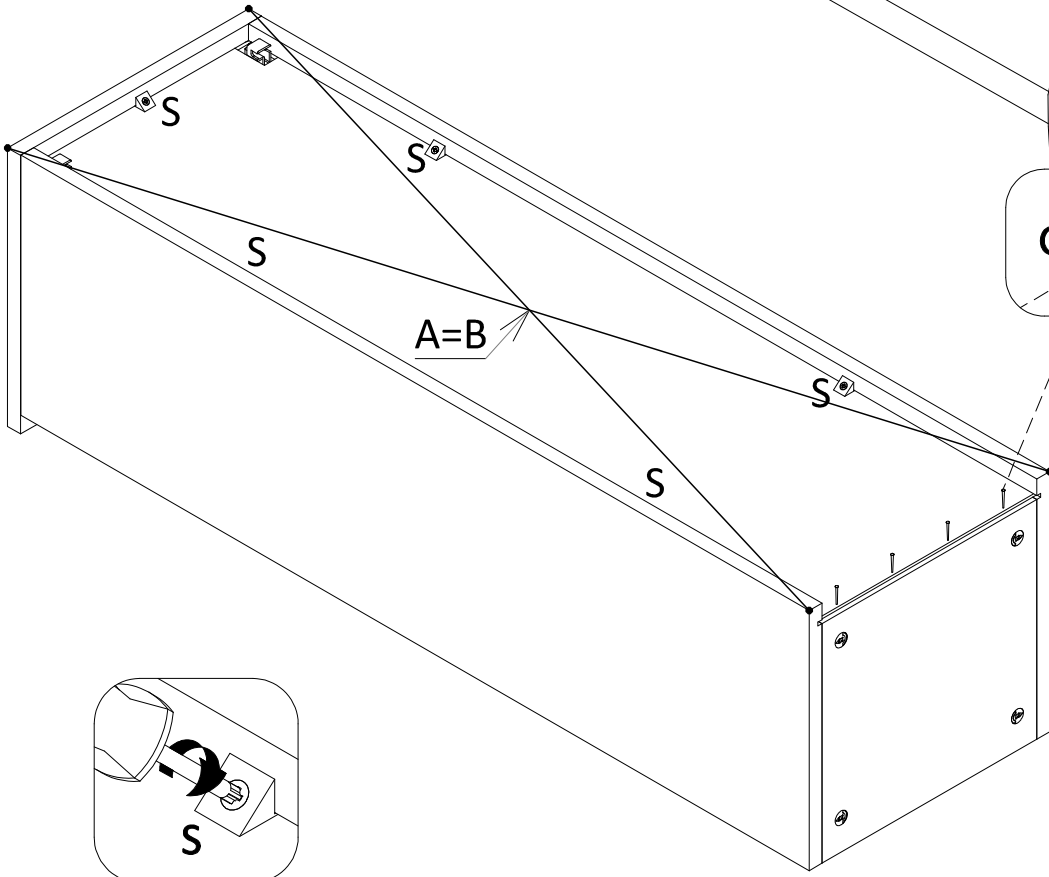
7





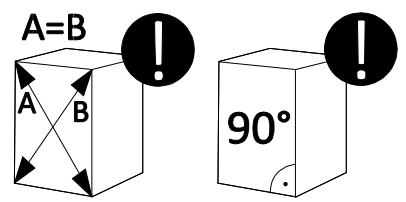
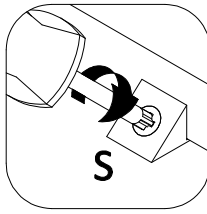
8



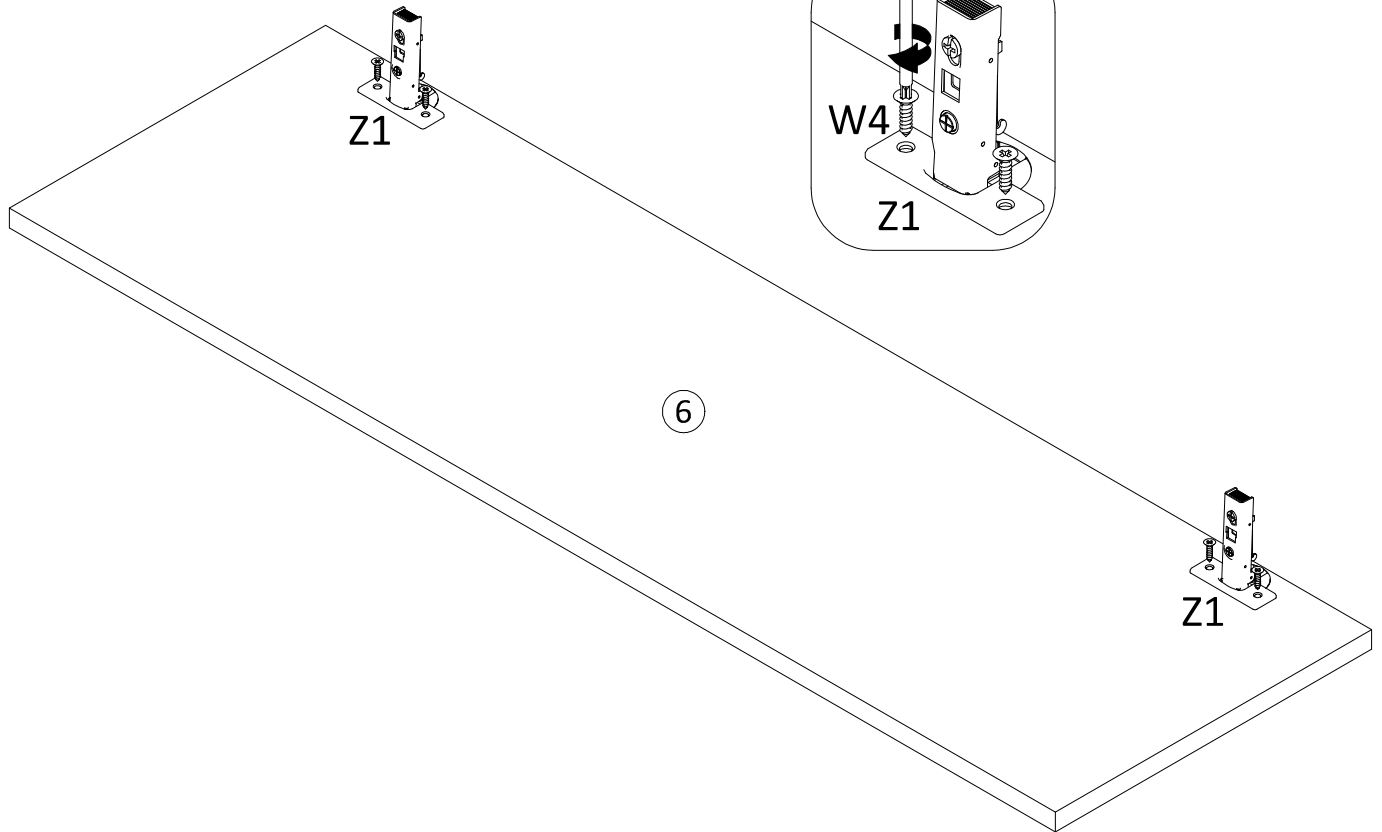
# 9


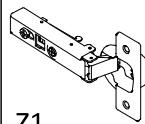


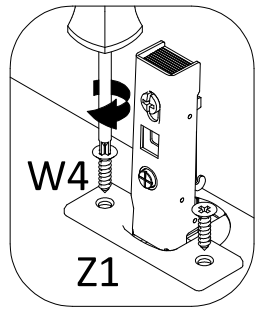
	
S	G
5x	4x



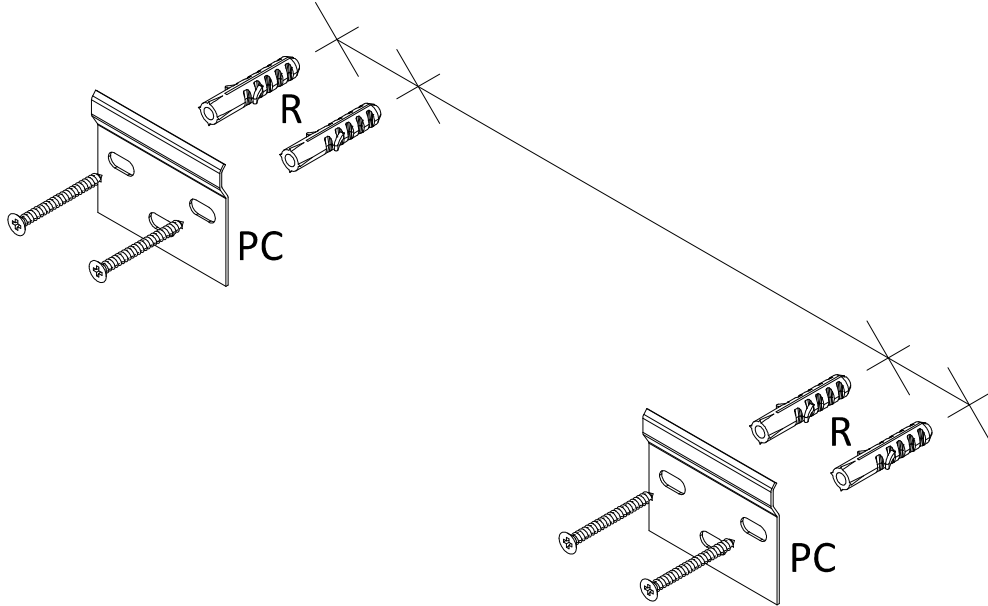
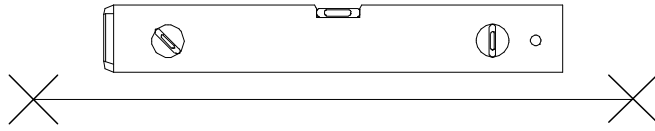
# 10



	
W4	Z1
4x	2x

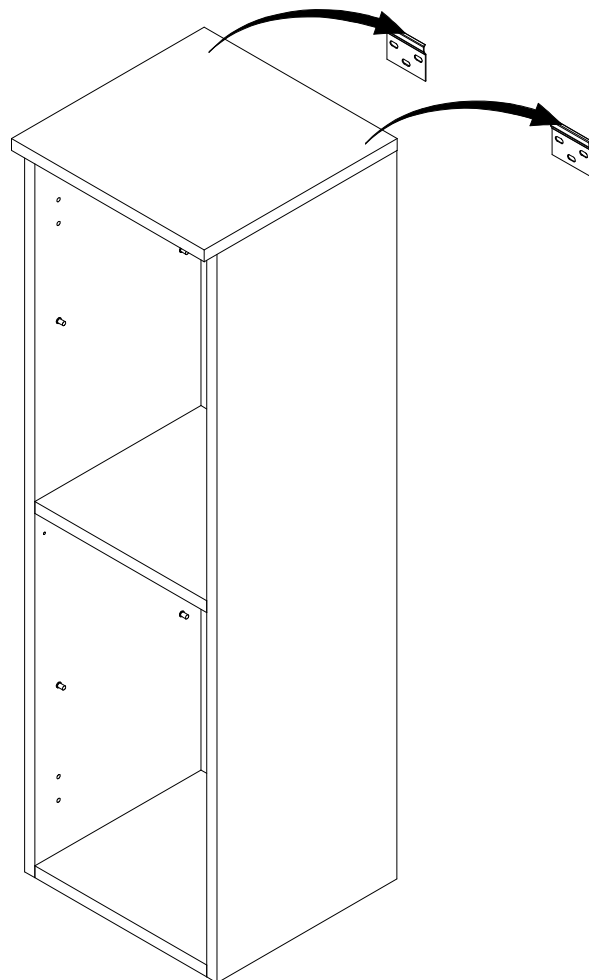


# 11

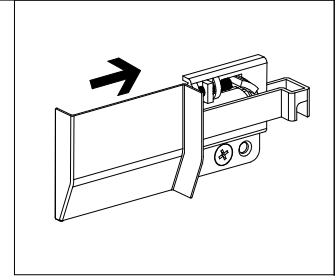
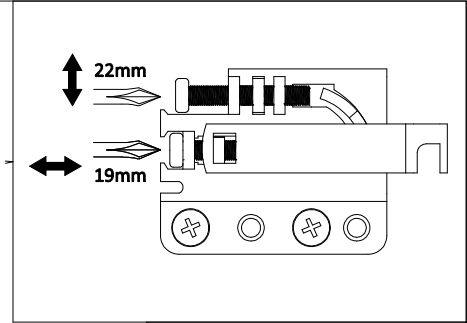
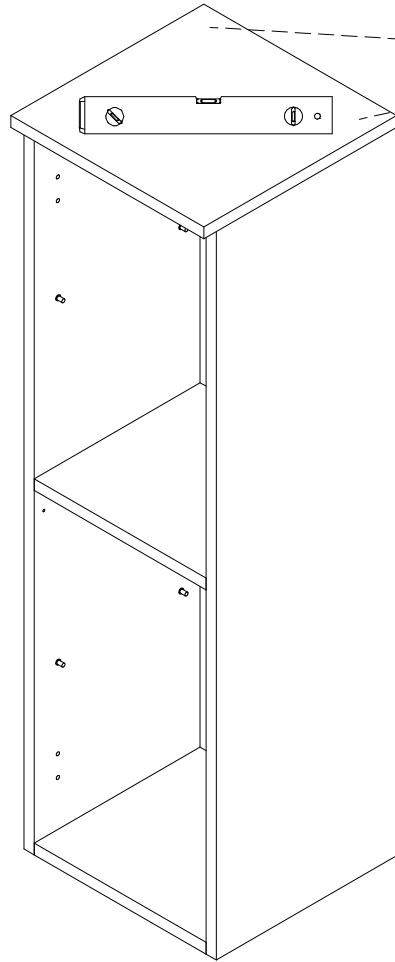


PC	R
2x	4x
1	
2	

# 12



# 13



# 14

