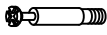









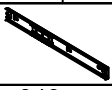

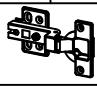

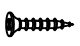

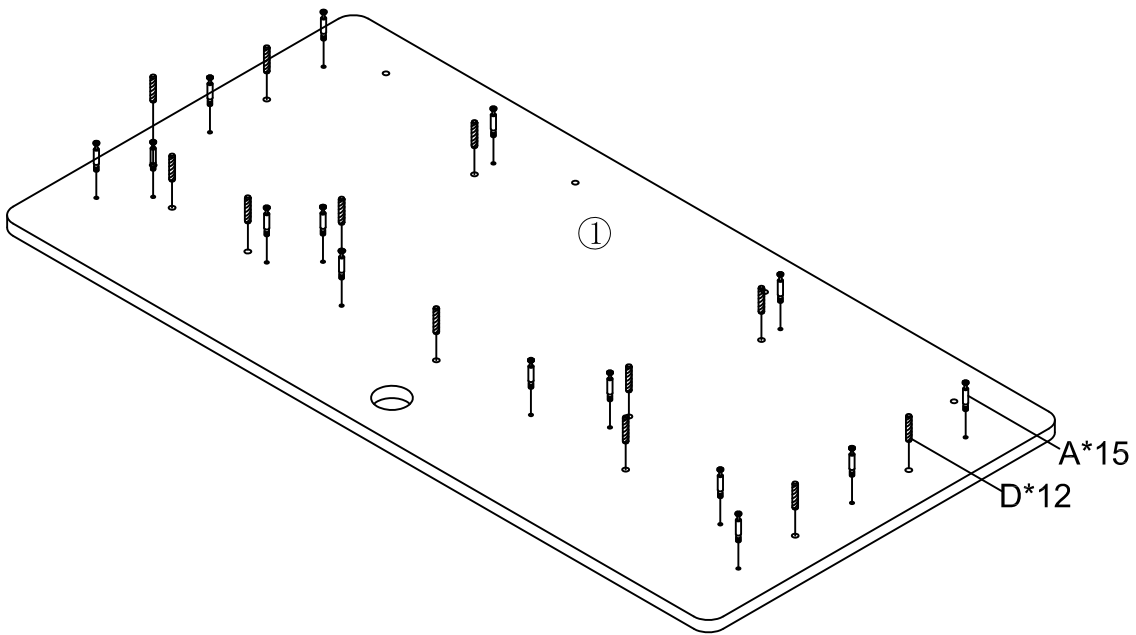
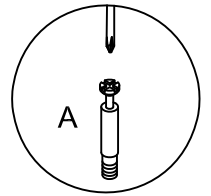
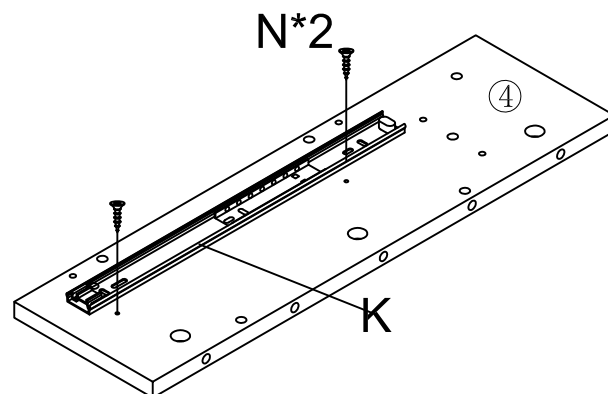
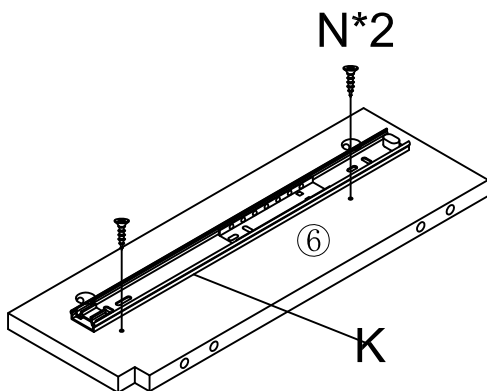
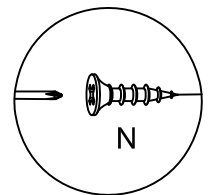
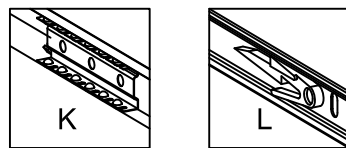
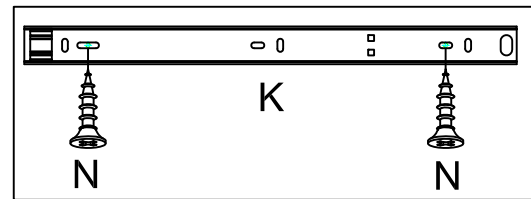
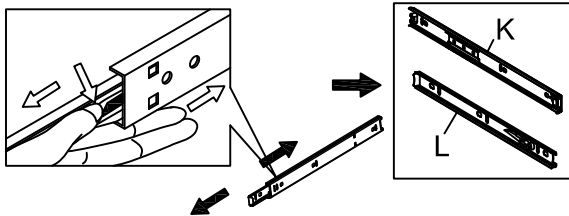


A	x35	B	x35	C	x8	D	x33	E	x2	F	x10	G	x4	H	x2
															
M6*35mm		Ø15mm		M7*50mm		Ø8*30mm				M6*30mm		M6*30mm			
I	x4	J	x23	K	x2	L	x2	M	x2	N	x22	O	x6	P	x1
															
		Ø20mm		340mm		340mm				Ø3.5*12mm		Ø3.5*35mm		M4	



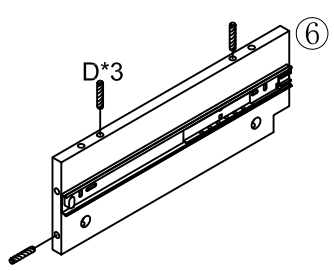
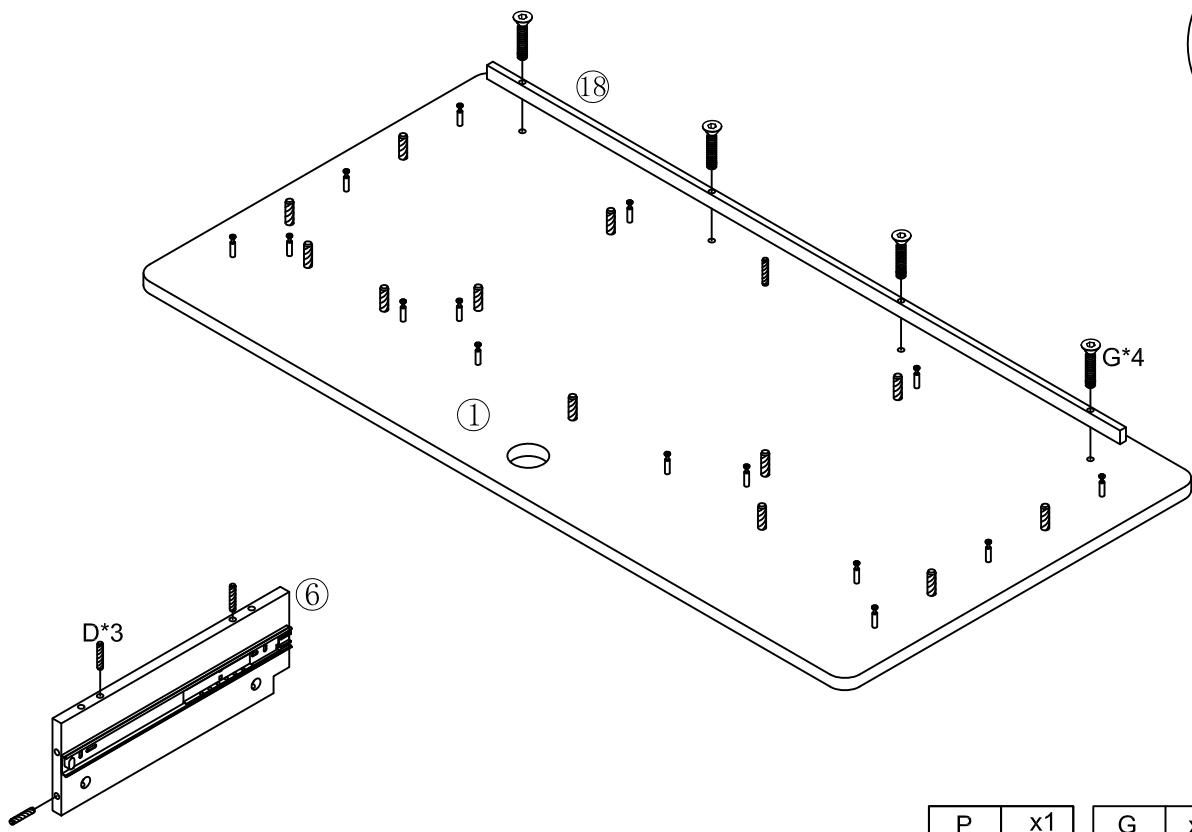
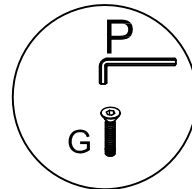
D	x12
Ø8*30mm	

A	x15
M6*35mm	



N	x4
Ø3.5*12mm	

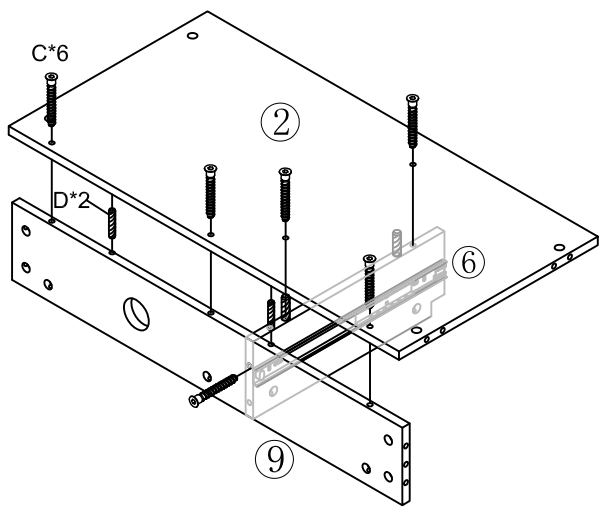
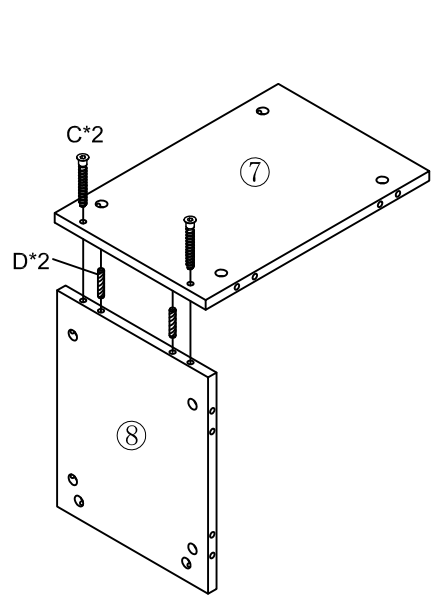
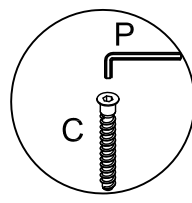
K	x2
340mm	



P	x1
M4	

G	x4
M6*30mm	

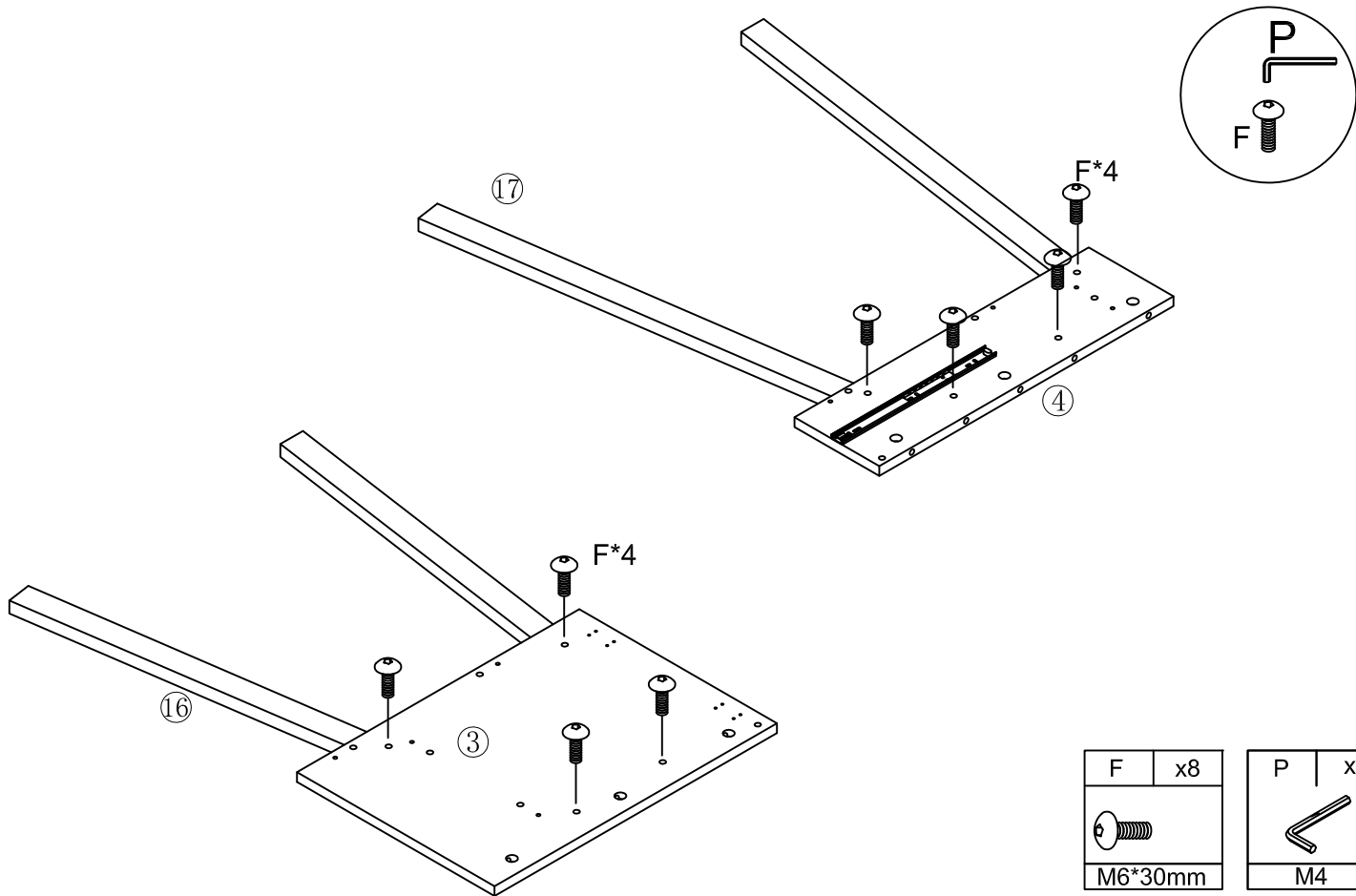
D	x3
Ø8*30mm	





P	x1
M4	

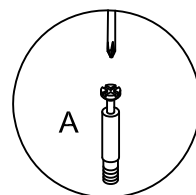
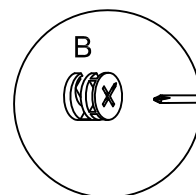
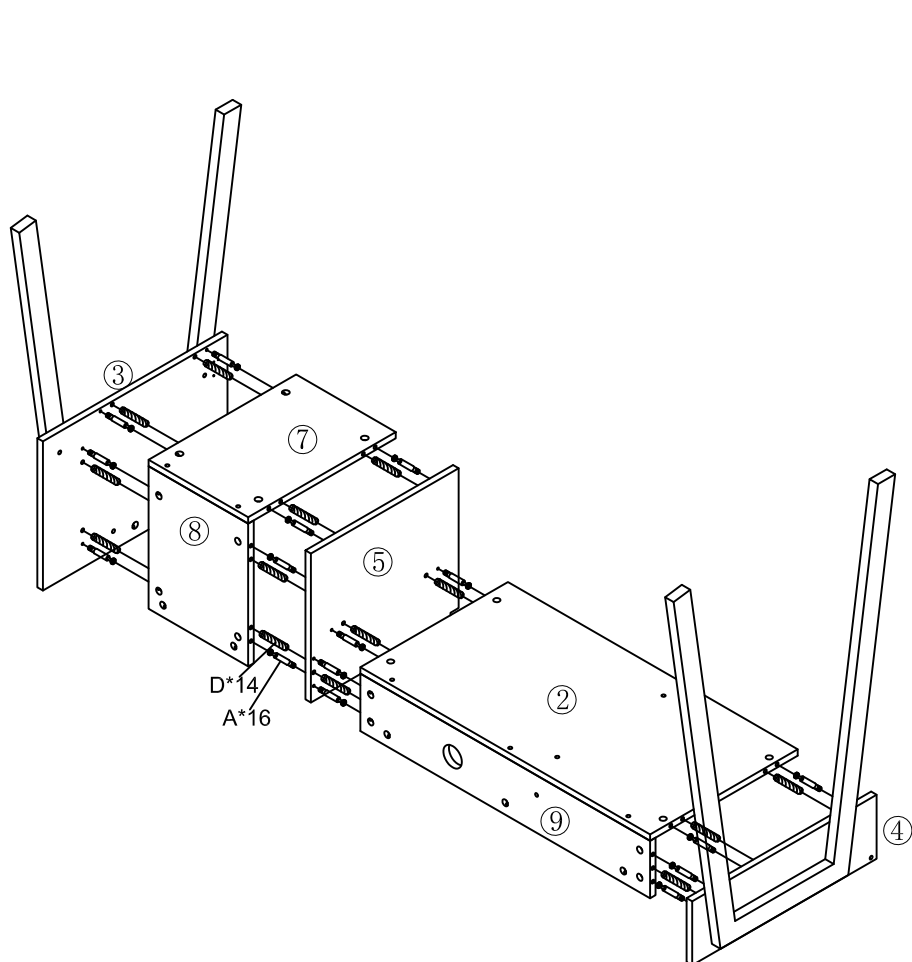
D	x4
Ø8*30mm	


C	x8
M7*50mm	

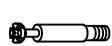


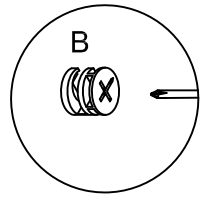
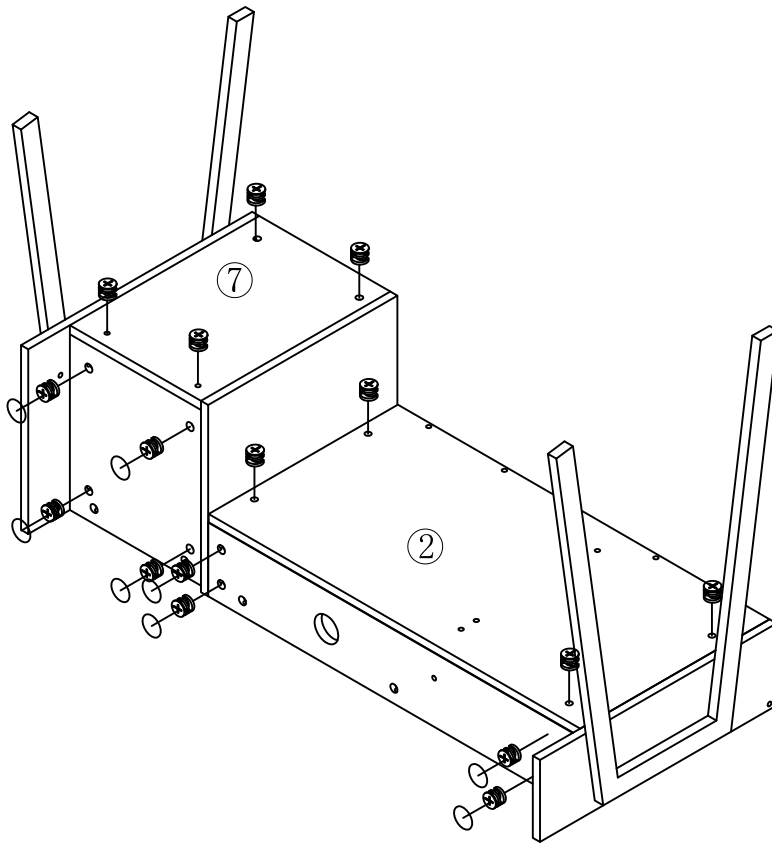
F	x8
	
M6*30mm	



P	x1
	
M4	

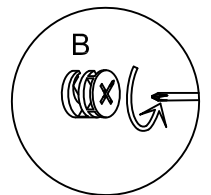
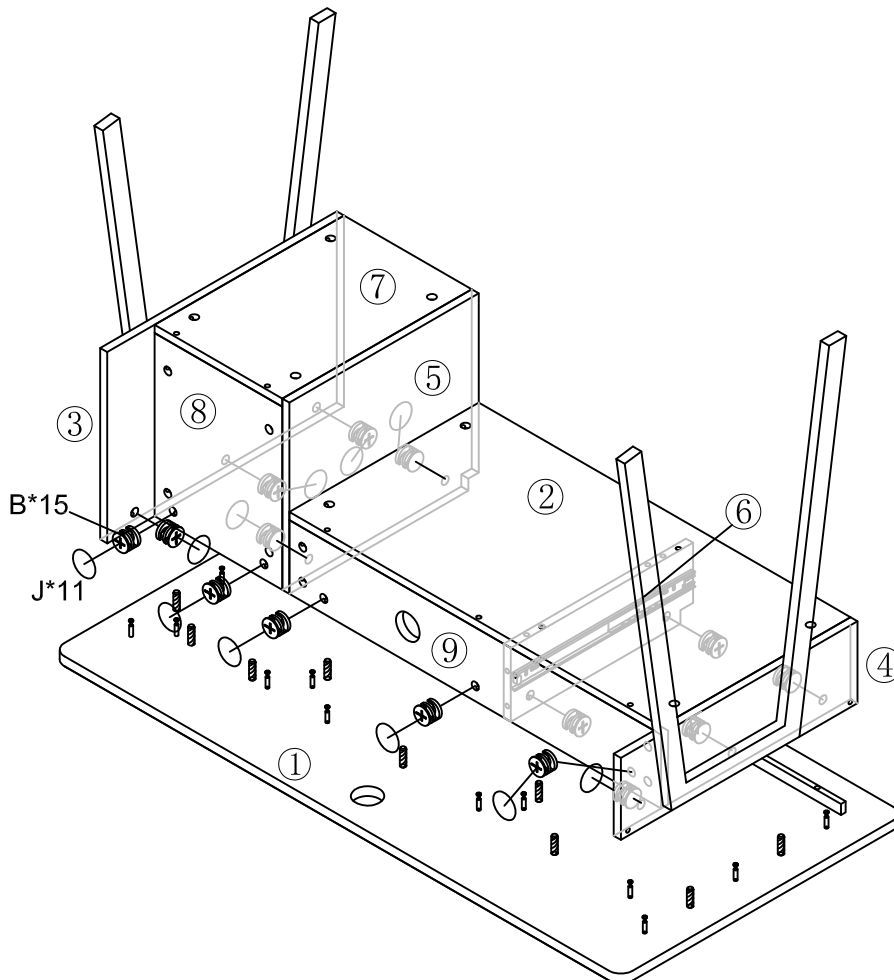




D	x14
	
Ø8*30mm	

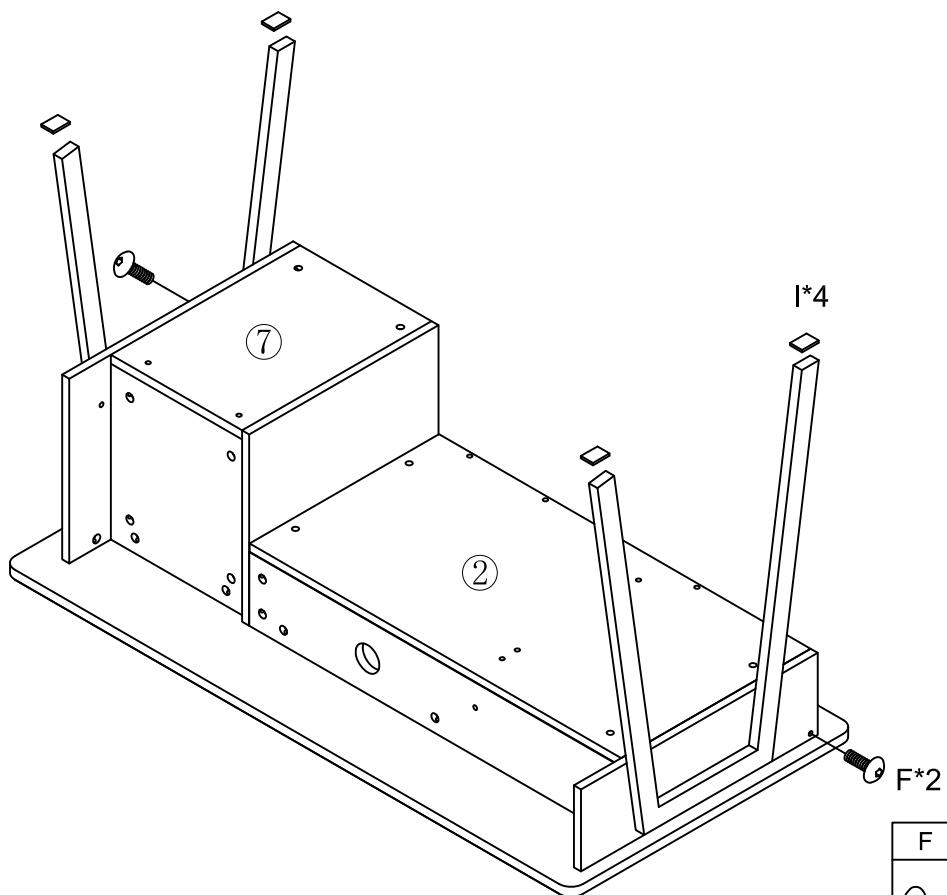
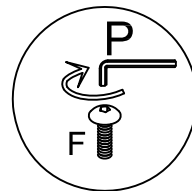
A	x16
	
M6*35mm	



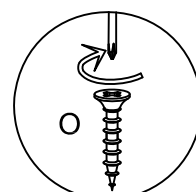
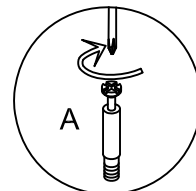
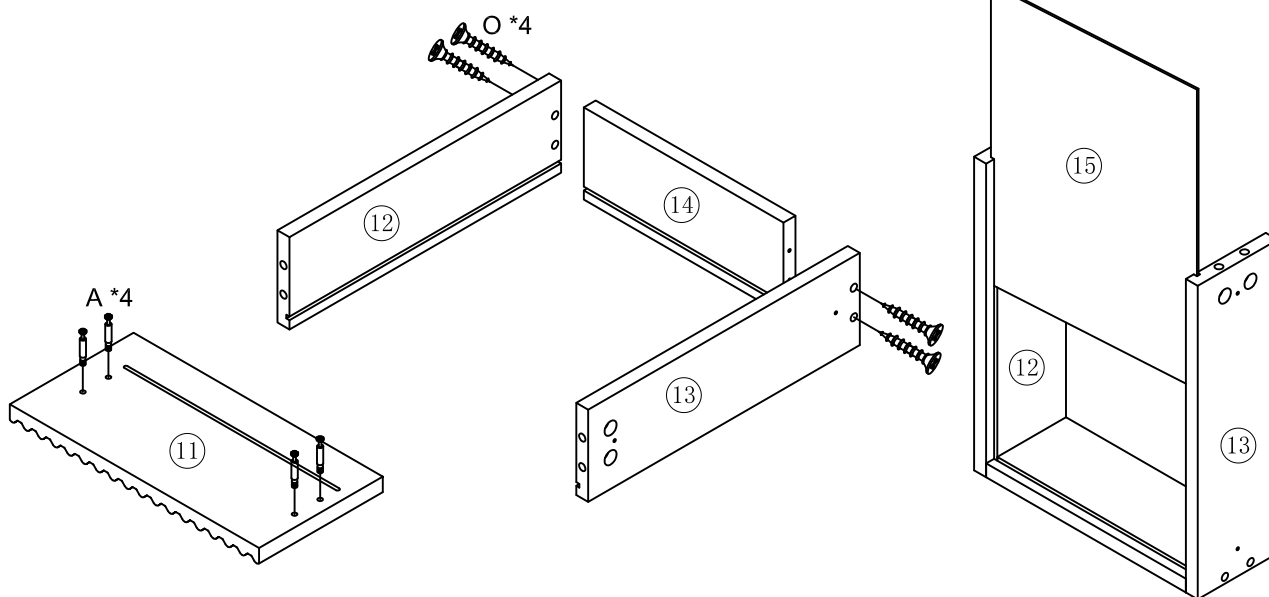
J	x8	B	x16
			
Ø20mm		Ø15mm	



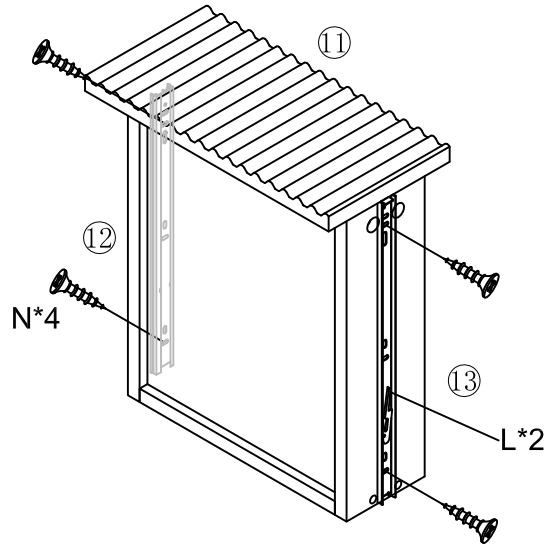
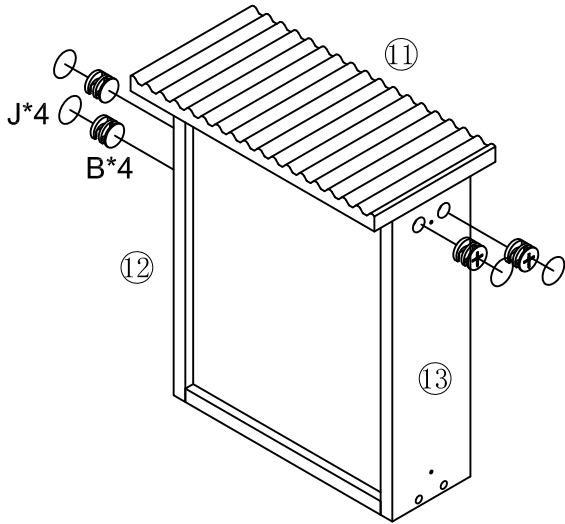
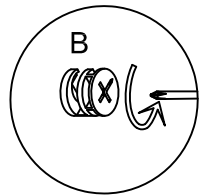
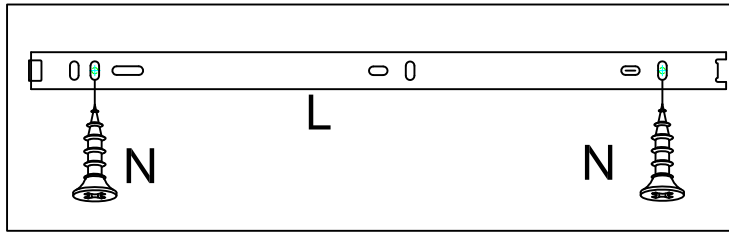
J	x11	B	x15
			
Ø20mm		Ø15mm	



F	x2	I	x4	P	x1
M6*30mm				M4	



A	x4	O	x4
M6*35mm		Ø3.5*35mm	

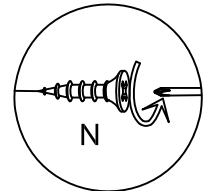
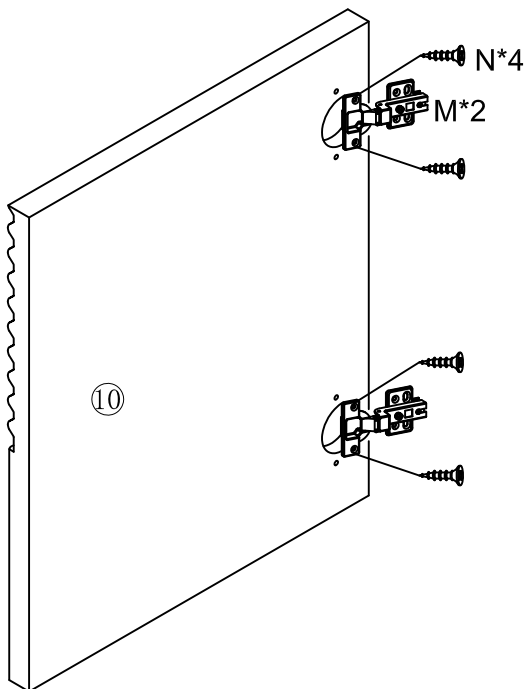


J	x4
Ø20mm	

N	x4
Ø3.5*12mm	

L	x2
340mm	

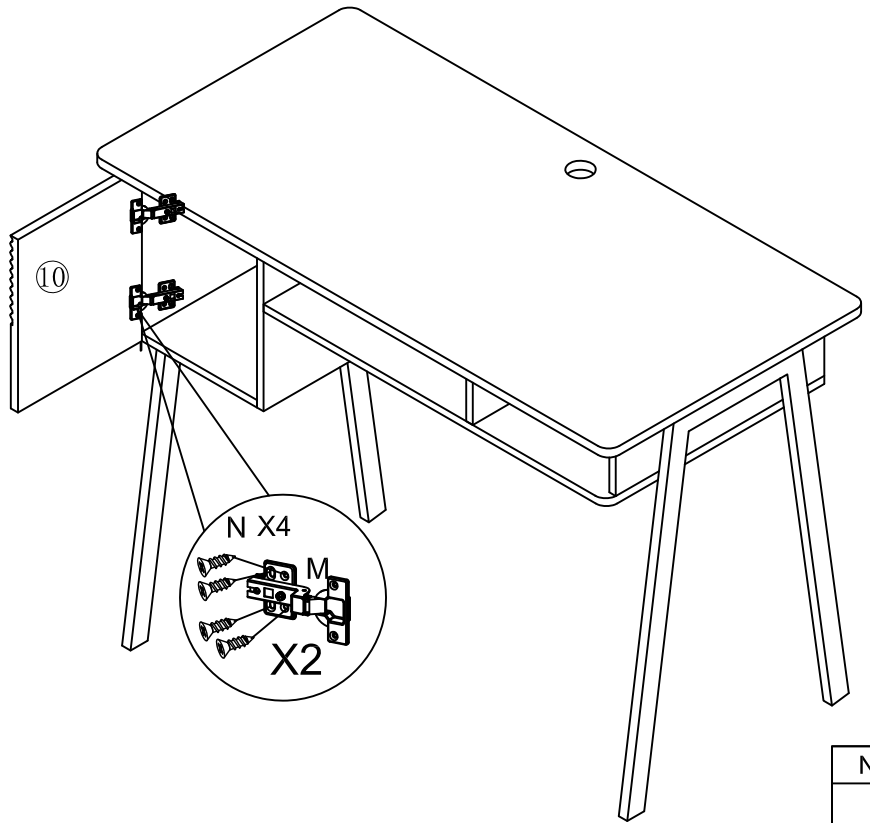
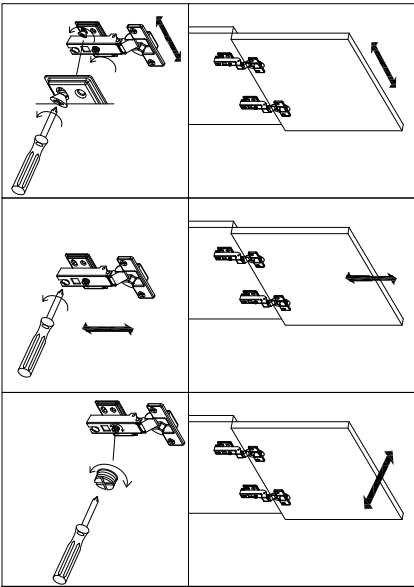
B	x4
Ø15mm	

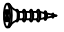


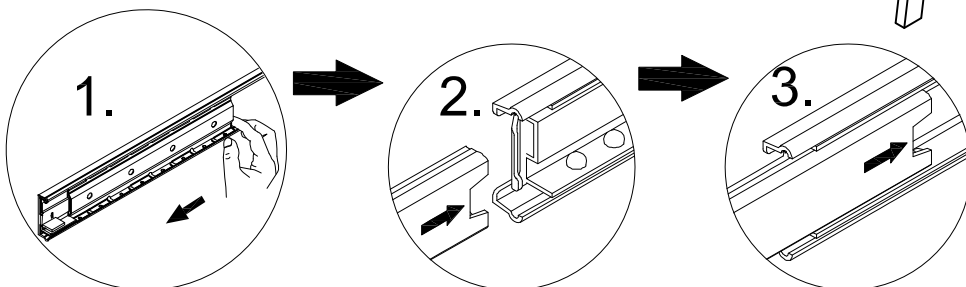
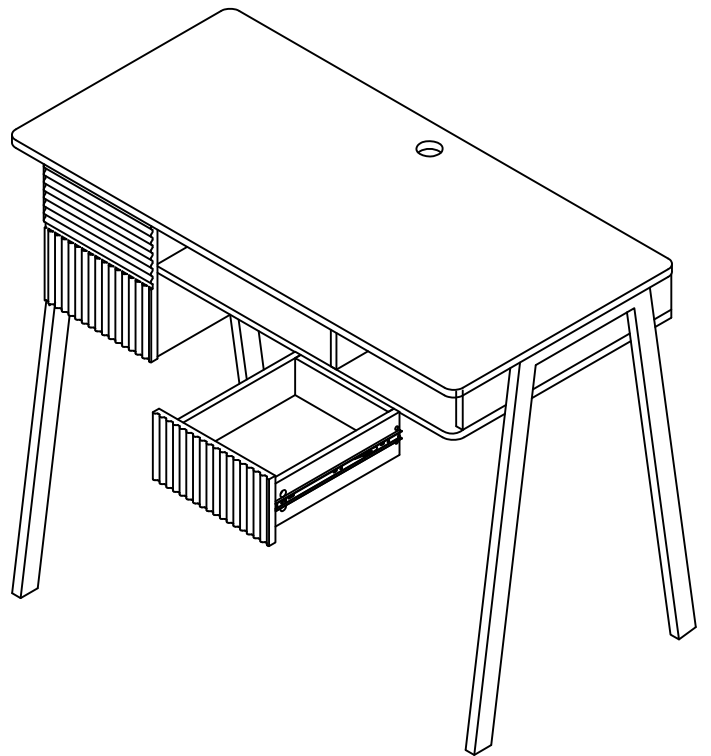
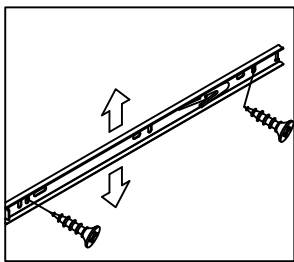
N	x4
Ø3.5*12mm	

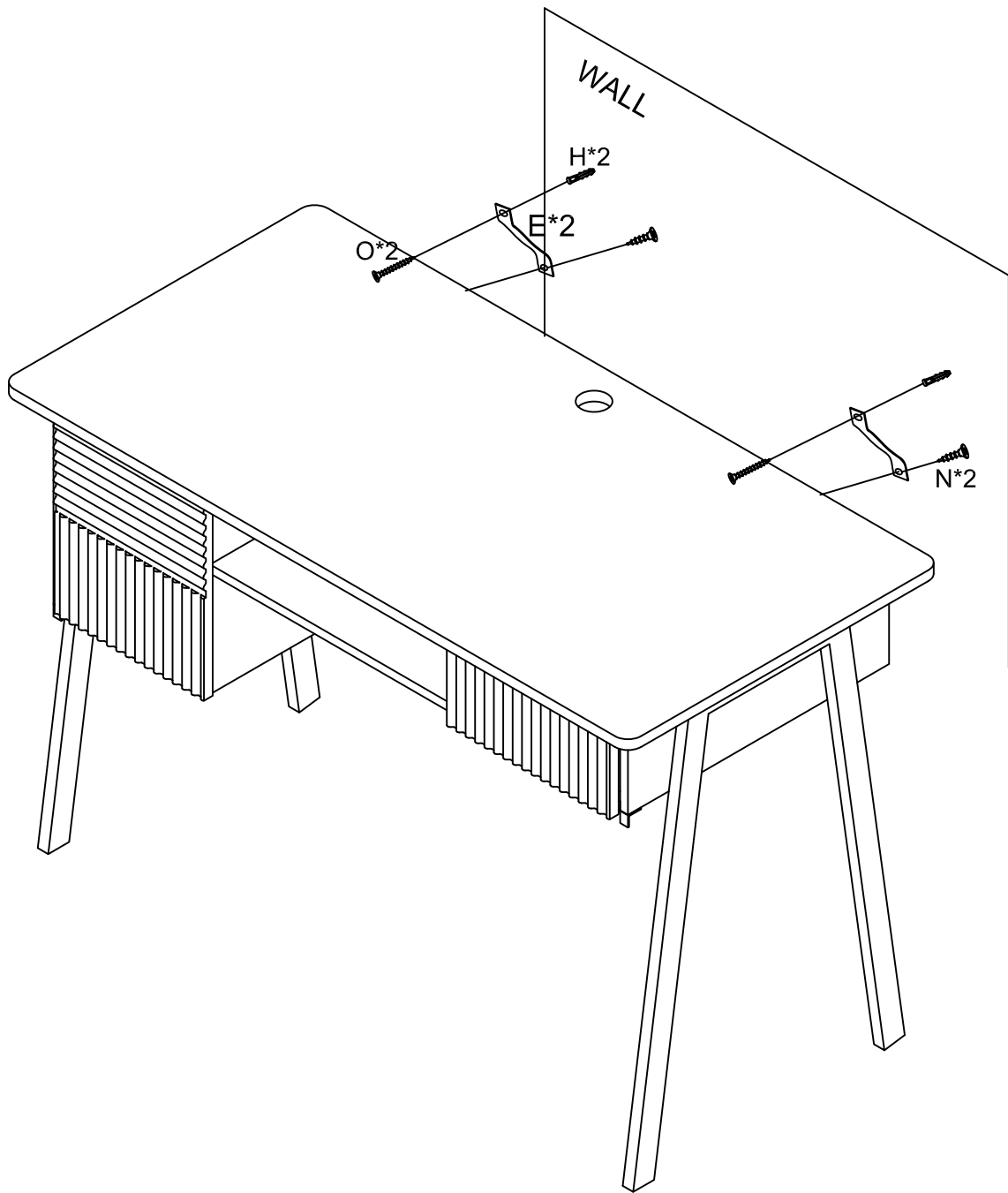
M	x2





Part 10 Doors Adjustment



N	x8
	
$\text{Ø}3.5 \times 12\text{mm}$	





N	x2	O	x2	E	x2	H	x2
							
Ø3.5*12mm		Ø3.5*35mm					