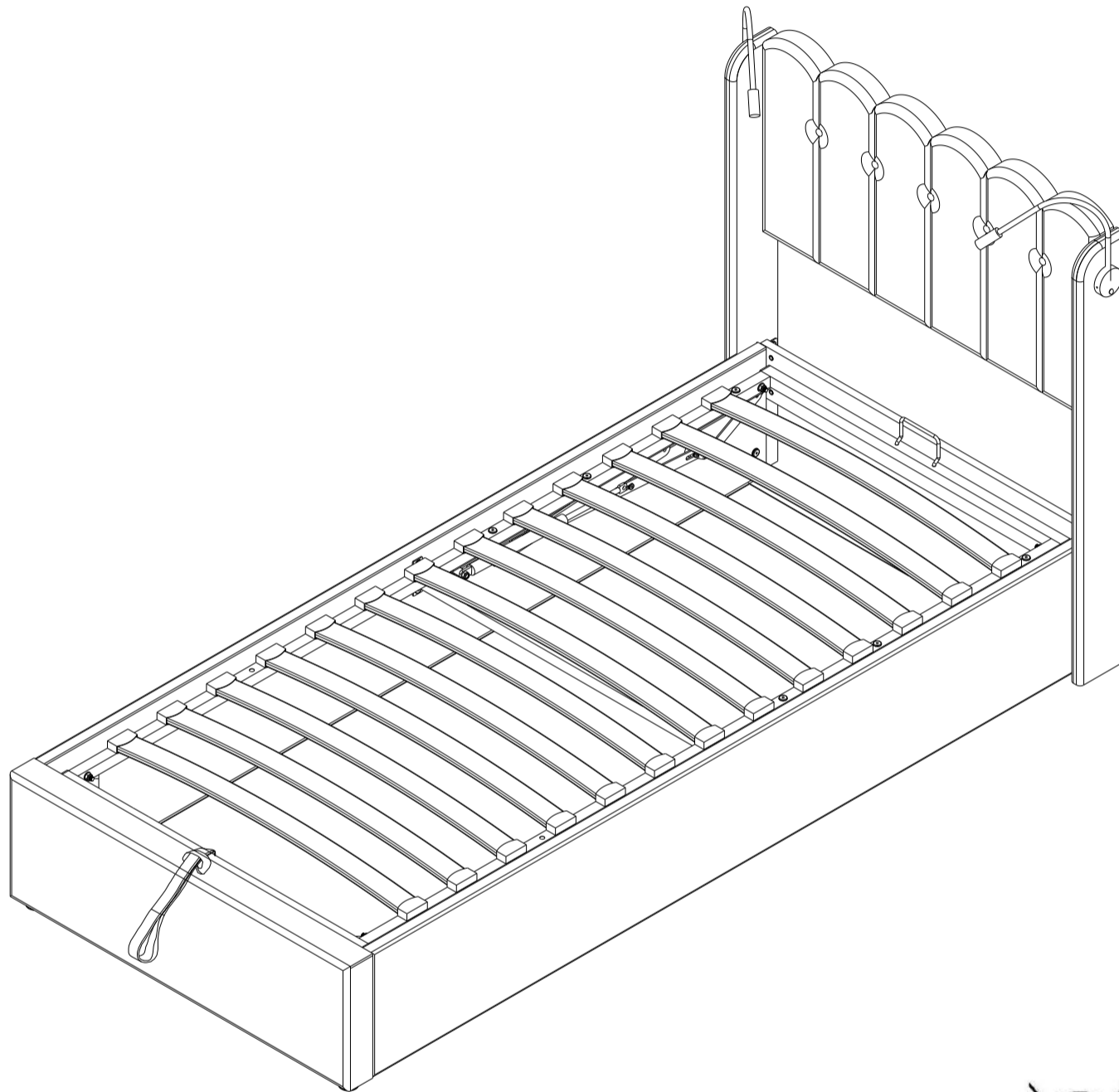


# Montageanleitung | Instructions de montage Assembly Instructions | Instrucciones de montaje

SKU NUMBER: WF312933/WF312934



**GB** This set comes in 2 boxes. If you do not receive a full set of 2 boxes, please contact our customer service.

**DE** Dieses Set wird in 2 Schachteln geliefert. Wenn Sie nicht ein komplettes Set von 2 Boxen erhalten, kontaktieren Sie bitte unseren Kundenservice.

**FR** Ce set est livré en 2 boîtes. Si vous ne recevez pas un jeu complet de 2 boîtes, veuillez contacter notre service clientèle.

## English

### IMPORTANT FOR GAS LIFT BEDS&MAINTAINANCE

- Please place the mattress on top of the bed frame.
- Please do not pull on the strap handles.
- Please press heavily to release the compressed gas.
- Periodically check all screw & fixings to ensure they are secure.
- When moving your product, carefully lift into place.
- Wipe clean with a slightly damp cloth- please do not use abrasive chemicals or bleach.
- Do NOT allow children to operate the lift mechanism.
- Do NOT allow children near the lift base when operating the mechanism.
- Do NOT stand inside the bed or the internal storage base.
- Do NOT overload the internal storage base.
- DO NOT jump on the product or any of its parts.

## Deutsch

### WICHTIG FÜR GASLIFT-BETTEN&WARTUNG

- Bitte legen Sie die Matratze oben auf den Bettrahmen.
- Bitte ziehen Sie nicht an den Gurtgriffen.
- Bitte drücken Sie kräftig, um das komprimierte Gas freizusetzen.
- Überprüfen Sie regelmäßig alle Schrauben und Befestigungen, um sicherzustellen, dass sie sicher sind.
- Wenn Sie Ihr Produkt bewegen, heben Sie es vorsichtig an seinen Platz.
- Mit einem leicht feuchten Tuch abwischen - bitte keine scheuernden Chemikalien oder Bleichmittel verwenden.
- Erlauben Sie Kindern NICHT, den Hebemechanismus zu bedienen.
- Lassen Sie Kinder NICHT in die Nähe des Liftsockels, wenn Sie den Mechanismus bedienen.
- Stellen Sie sich NICHT in das Bett oder in die Innenablage.
- Überlasten Sie den internen Liftsockel NICHT.
- Springen Sie NICHT auf das Produkt oder eines seiner Teile.

## Français

### IMPORTANT POUR LES LITS À RELEVAGE DE GAZ&MAINTENANCE

- Veuillez placer le matelas sur le dessus du cadre de lit.
- Ne tirez pas sur les poignées de la sangle.
- Appuyez fortement pour libérer le gaz comprimé.
- Vérifiez régulièrement que toutes les vis et fixations sont bien en place.
- Lorsque vous déplacez votre produit, soulevez-le avec précaution pour le mettre en place.
- Nettoyez avec un chiffon légèrement humide - n'utilisez pas de produits chimiques abrasifs ou d'eau de Javel.
- Ne laissez pas les enfants utiliser le mécanisme de levage.
- Ne laissez pas les enfants s'approcher de la base de levage lorsqu'ils actionnent le mécanisme.
- Ne vous tenez PAS à l'intérieur du lit ou de la base de stockage interne.
- Ne surchargez pas la base de stockage interne.
- Ne pas sauter sur le produit ou l'une de ses parties.

## Italiano

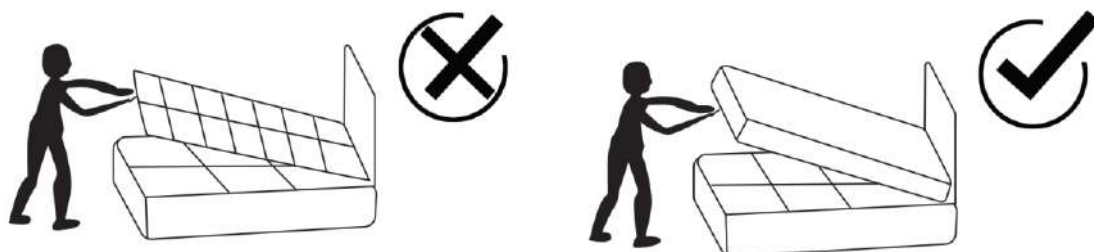
### IMPORTANTE PER I LETTI CON SOLLEVAMENTO A GAS E LA MANUTENZIONE

- Posizionare il materasso sopra la struttura del letto.
- Non tirare le maniglie della cinghia.
- Premere con forza per rilasciare il gas compresso.
- Controllare periodicamente tutte le viti e i fissaggi per assicurarsi che siano saldi.
- Quando si sposta il prodotto, sollevarlo con cautela.
- Pulire con un panno leggermente umido, senza usare prodotti chimici abrasivi o candeggina.
- NON permettere ai bambini di azionare il meccanismo di sollevamento.
- NON permettere ai bambini di avvicinarsi alla base di sollevamento quando si aziona il meccanismo.
- NON sostare all'interno del letto o della base di contenimento interna.
- NON sovraccaricare la base di contenimento interna.
- NON saltare sul prodotto o sulle sue parti.

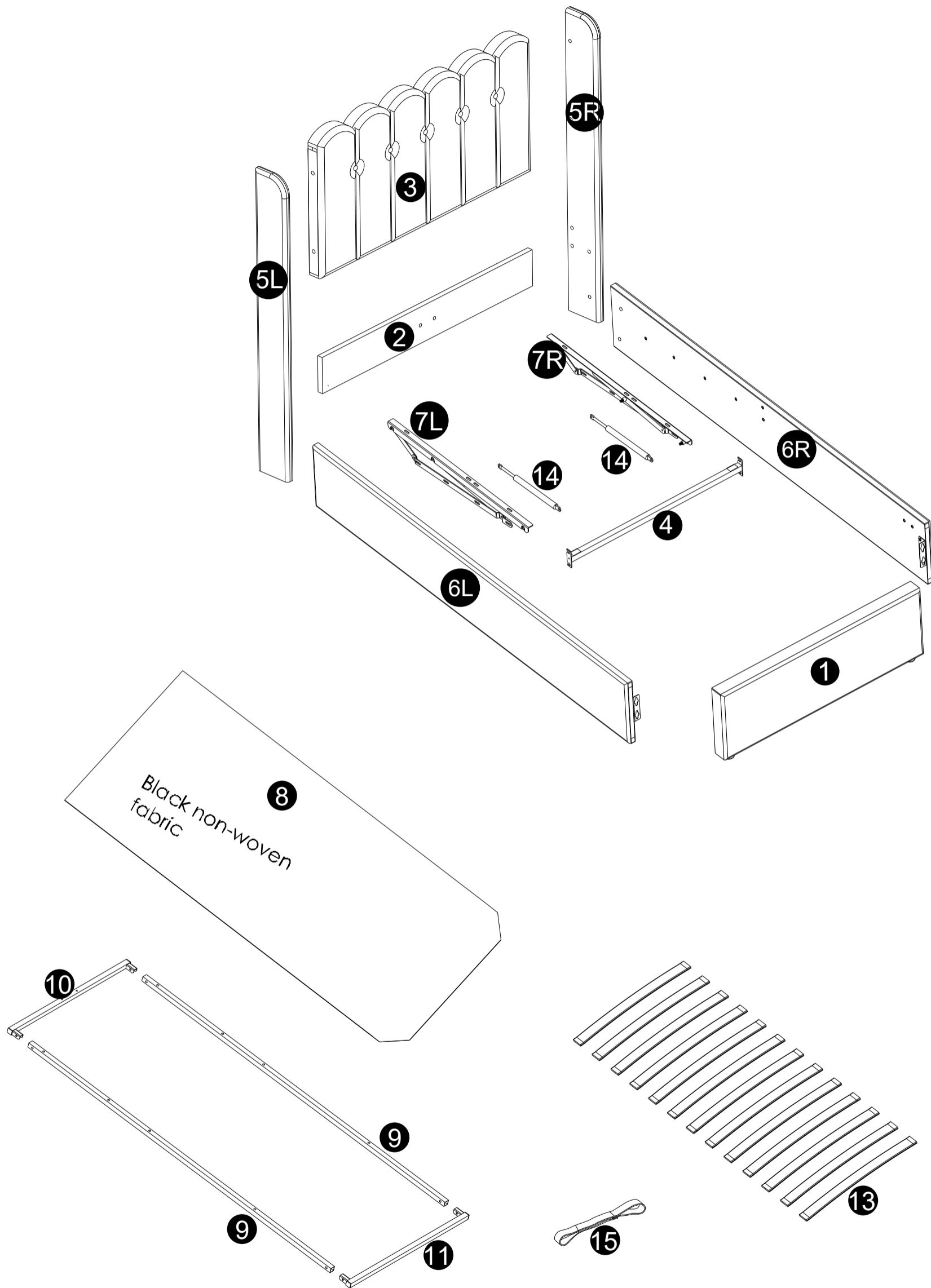
## Español

### IMPORTANTE PARA LAS CAMAS ELEVADORAS DE GAS&MANTENIMIENTO

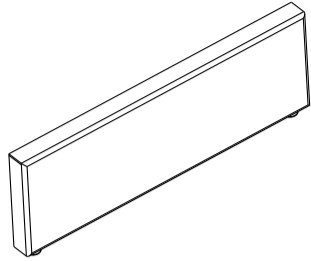
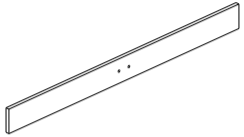
- Coloque el colchón sobre el somier.
- No tire de las asas de la correa.
- Presione con fuerza para liberar el gas comprimido.
- Compruebe periódicamente que todos los tornillos y fijaciones estén bien sujetos.
- Al mover el producto, levántelo con cuidado para colocarlo en su sitio.
- Limpie con un paño ligeramente humedecido; no utilice productos químicos abrasivos ni lejía.
- NO permita que los niños accionen el mecanismo de elevación.
- NO permita que los niños se acerquen a la base elevadora cuando accionen el mecanismo.
- NO se ponga de pie dentro de la cama o de la base de almacenamiento interna.
- NO sobrecargue el somier.
- NO salte sobre el producto ni sobre ninguna de sus piezas.

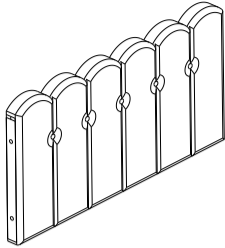
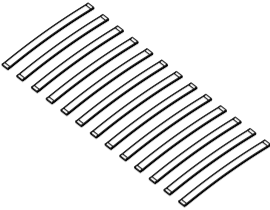


# Stückliste

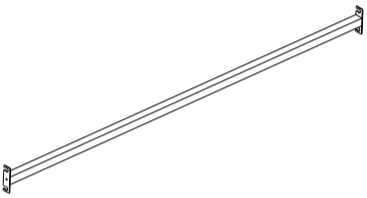
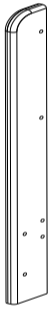

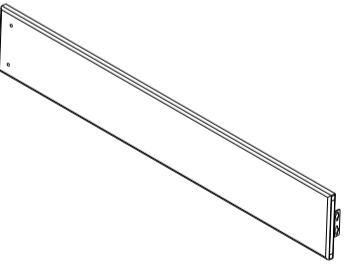
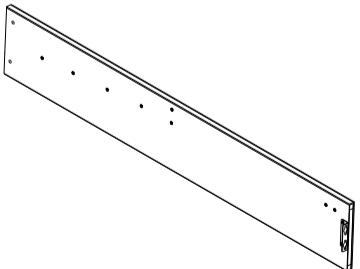


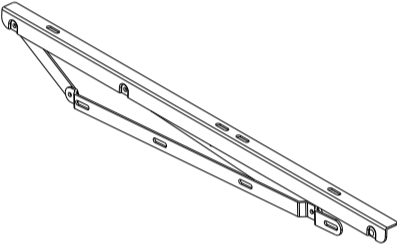
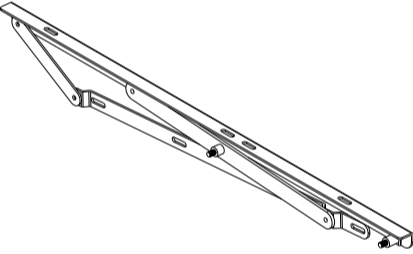
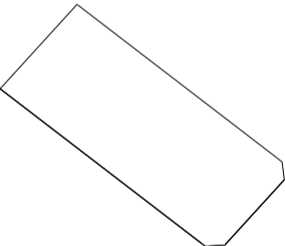
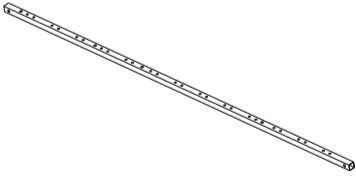
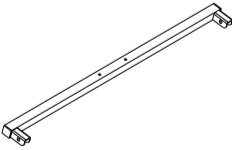
# WF312933

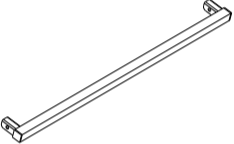
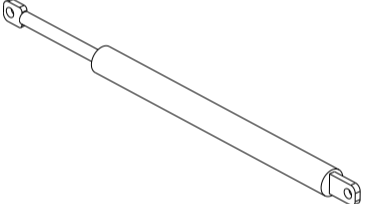
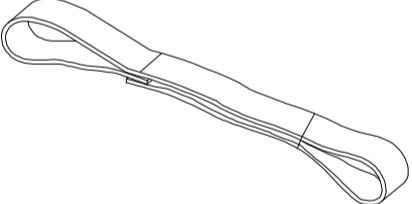
1		X1
2		X1

3		X1
13		X1

# WF312934

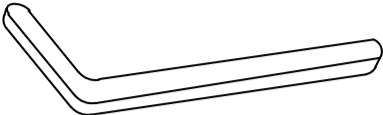
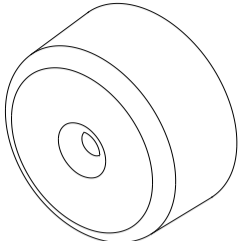
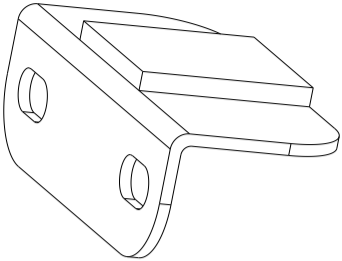
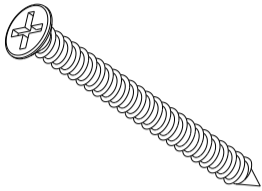

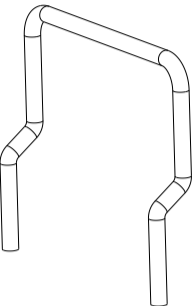
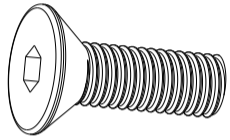
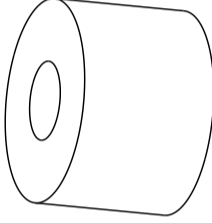
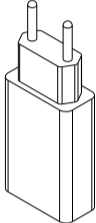
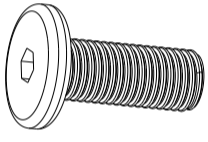
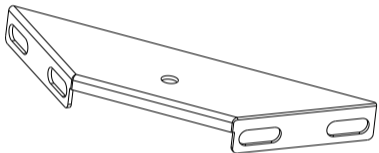
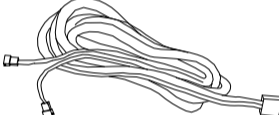
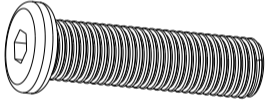
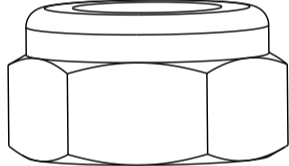
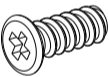
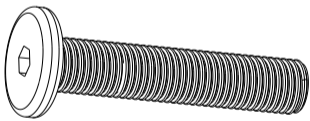
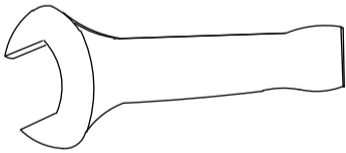
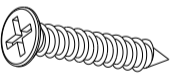
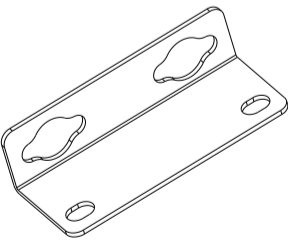
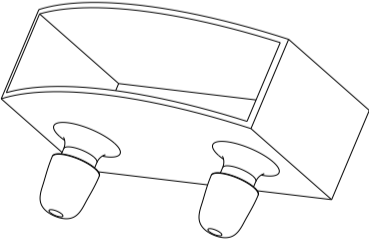
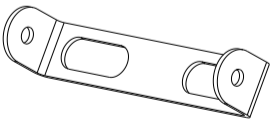
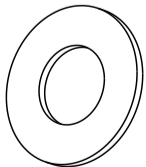
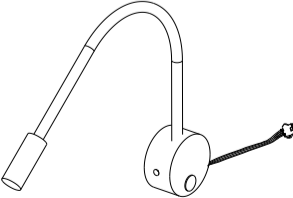
4		X1
5L		X1
5R		X1
6L		X1
6R		X1

7L		X1
7R		X1
8		X1
9		X2
10		X1

11		X1
14		X2
15		X1

# Hardware List-Hardware-Liste-Liste du matériel

## WF312934

<b>A</b>		X1	<b>K</b>		X2	<b>T</b>		X2
<b>B</b>	 M4x40mm	X2	<b>L</b>		X1	<b>U</b>		X1
<b>D</b>	 M8x18mm	X4	<b>M</b>		X8	<b>V</b>		X1
<b>E</b>	 M8x20mm	X24	<b>N</b>		X2	<b>W</b>		X1
<b>F</b>	 M8x30mm	X8	<b>O</b>	 M8	X14	<b>X</b>		X4
<b>G</b>	 M8x40mm	X18	<b>P</b>		X1	<b>Y</b>		X4
<b>H</b>		X2	<b>Q</b>		X26	<b>Z</b>		X2
<b>J</b>		X12	<b>R</b>		X1			

**1**

A x 1

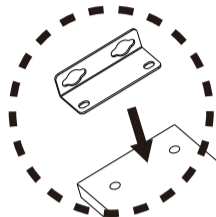
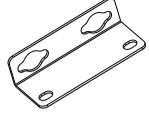
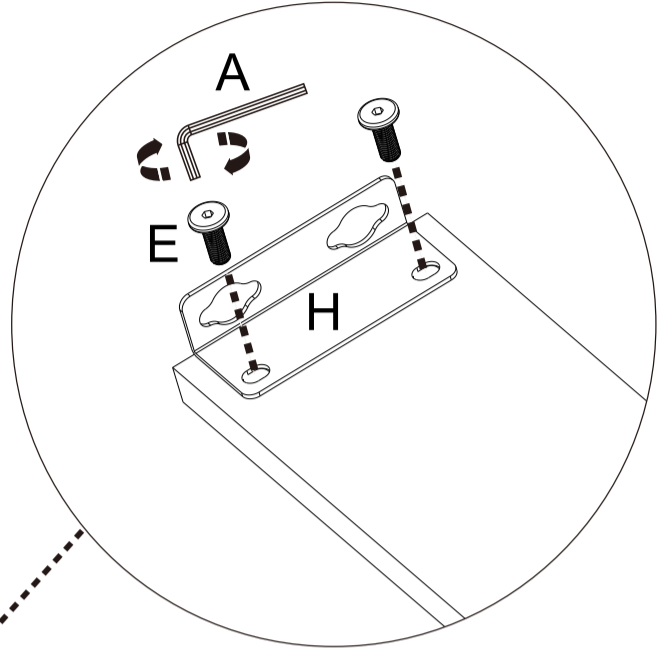
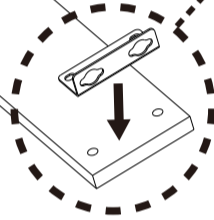


E x 4



M8 x 20mm

H x 2

**2****2**

A x 1



E x 4



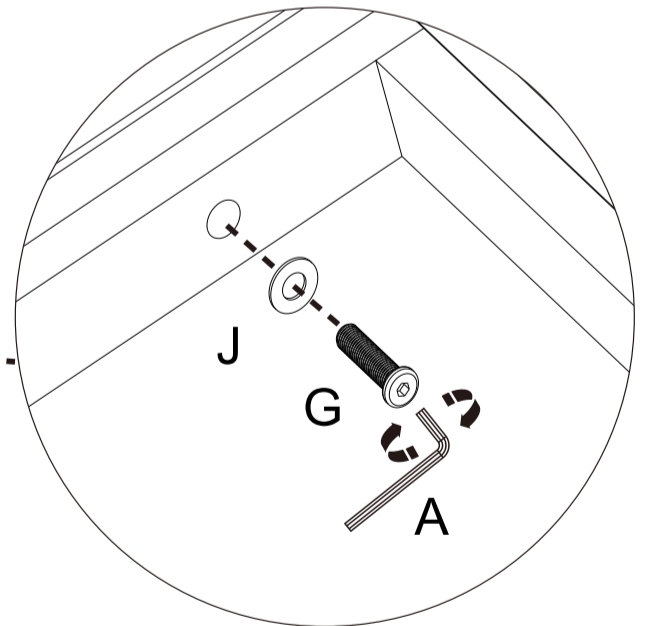
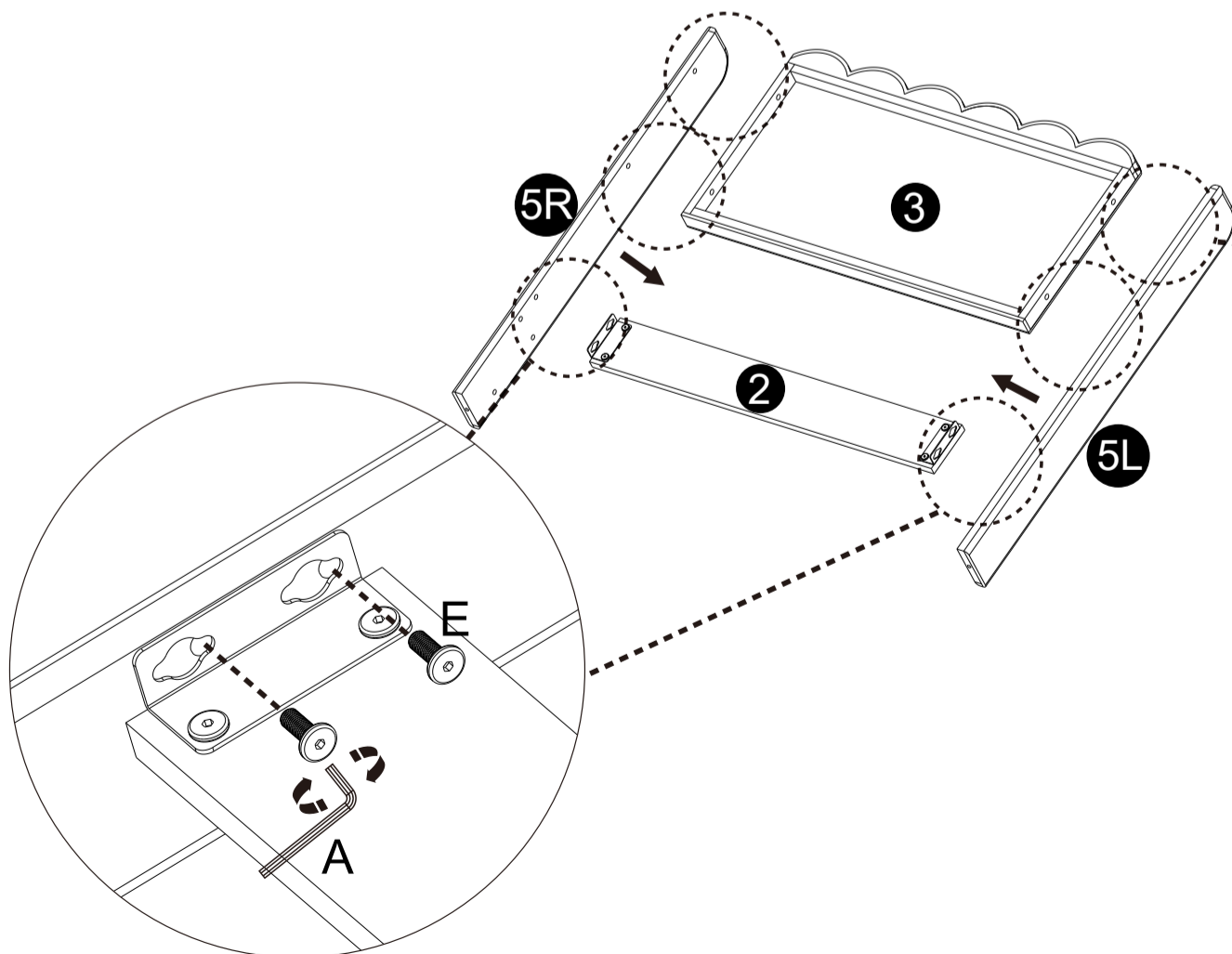
M8 x 20mm

G x 4



M8 x 40mm

J x 4



3

A x 1



B x 2



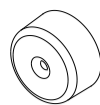
M4 x 40mm

E x 4

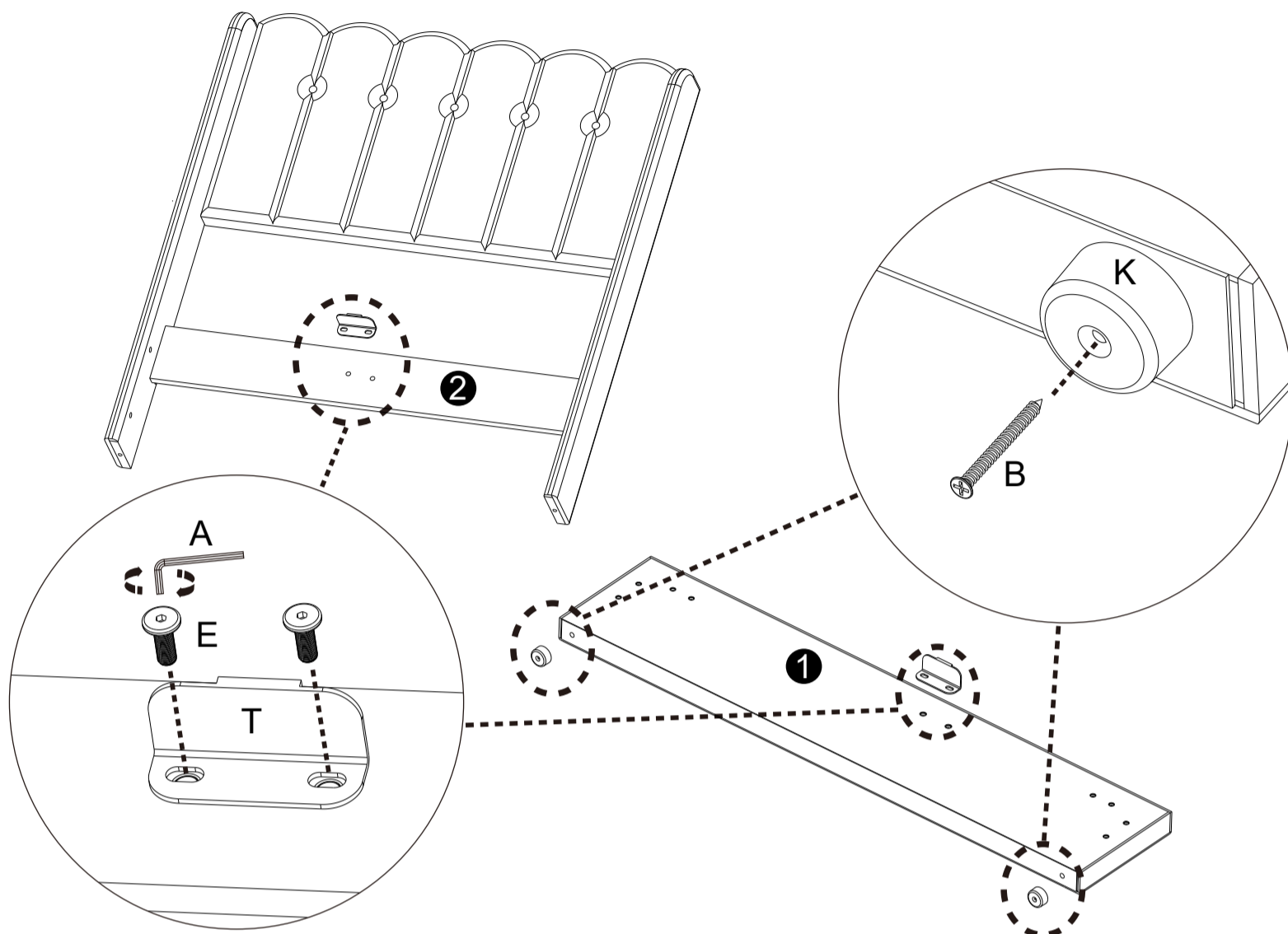
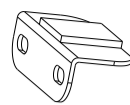


M8 x 20mm

K x 2



T x 2



4

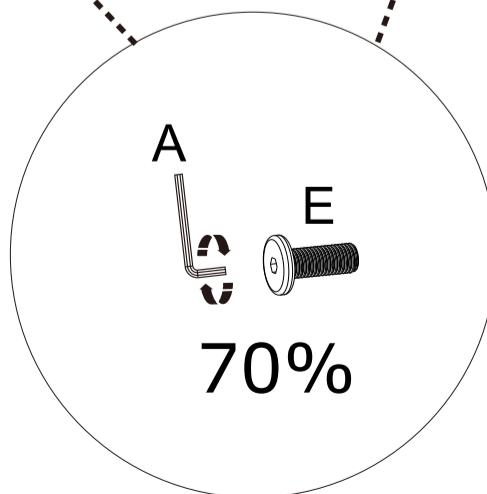
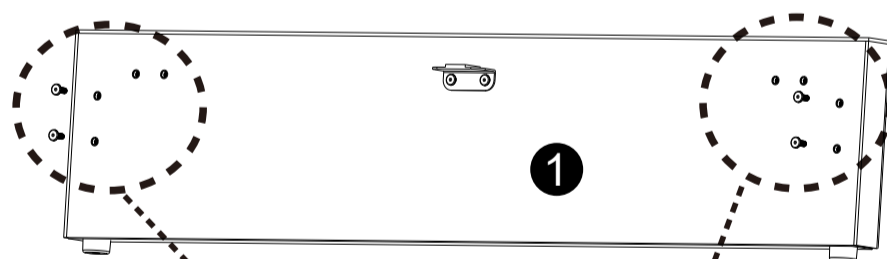
A x 1



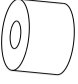


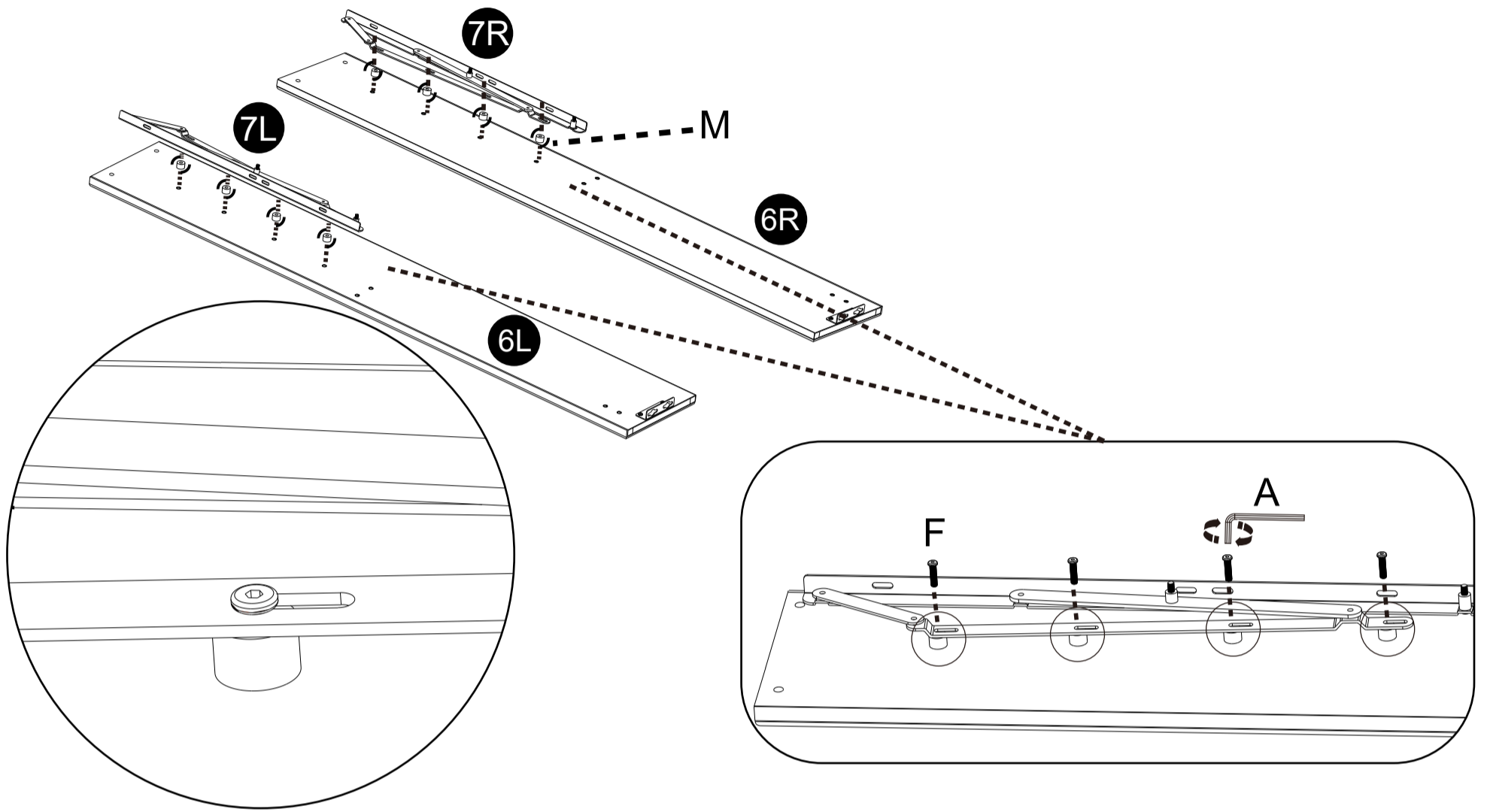
E x 4






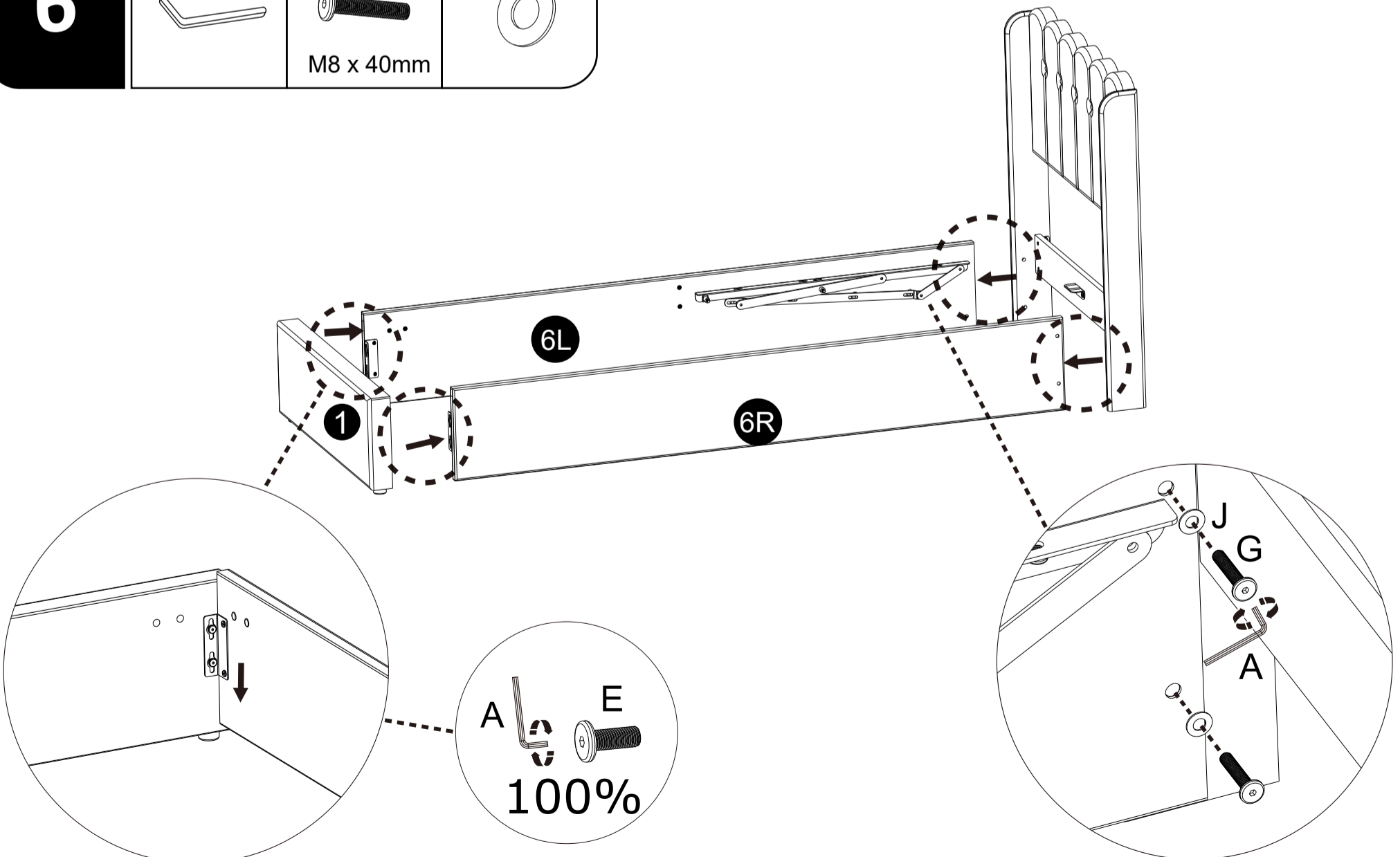
M8 x 20mm



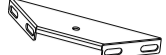


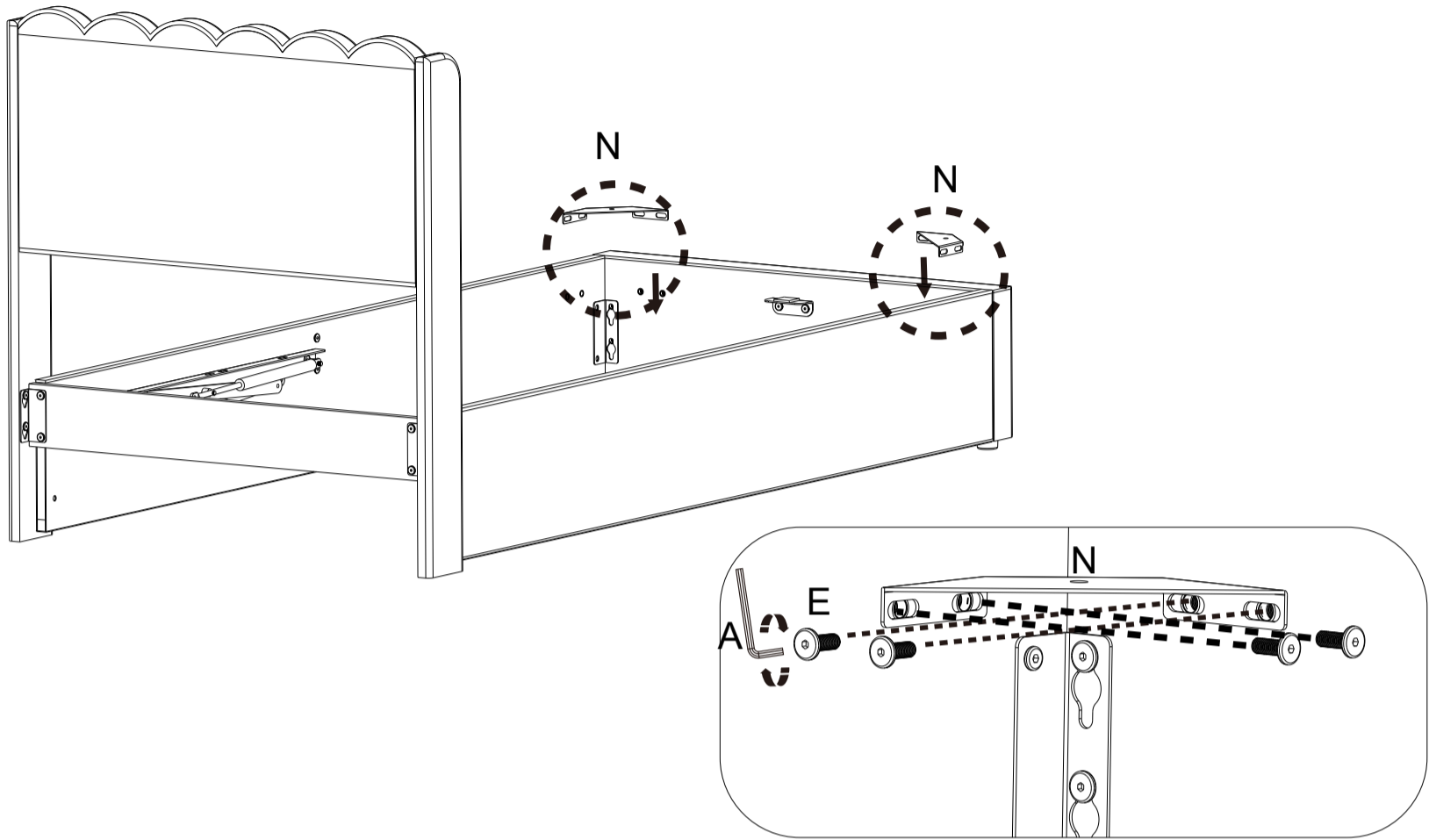
<b>5</b>	A x 1	F x 8	M x 8
		 M8 x 30mm	





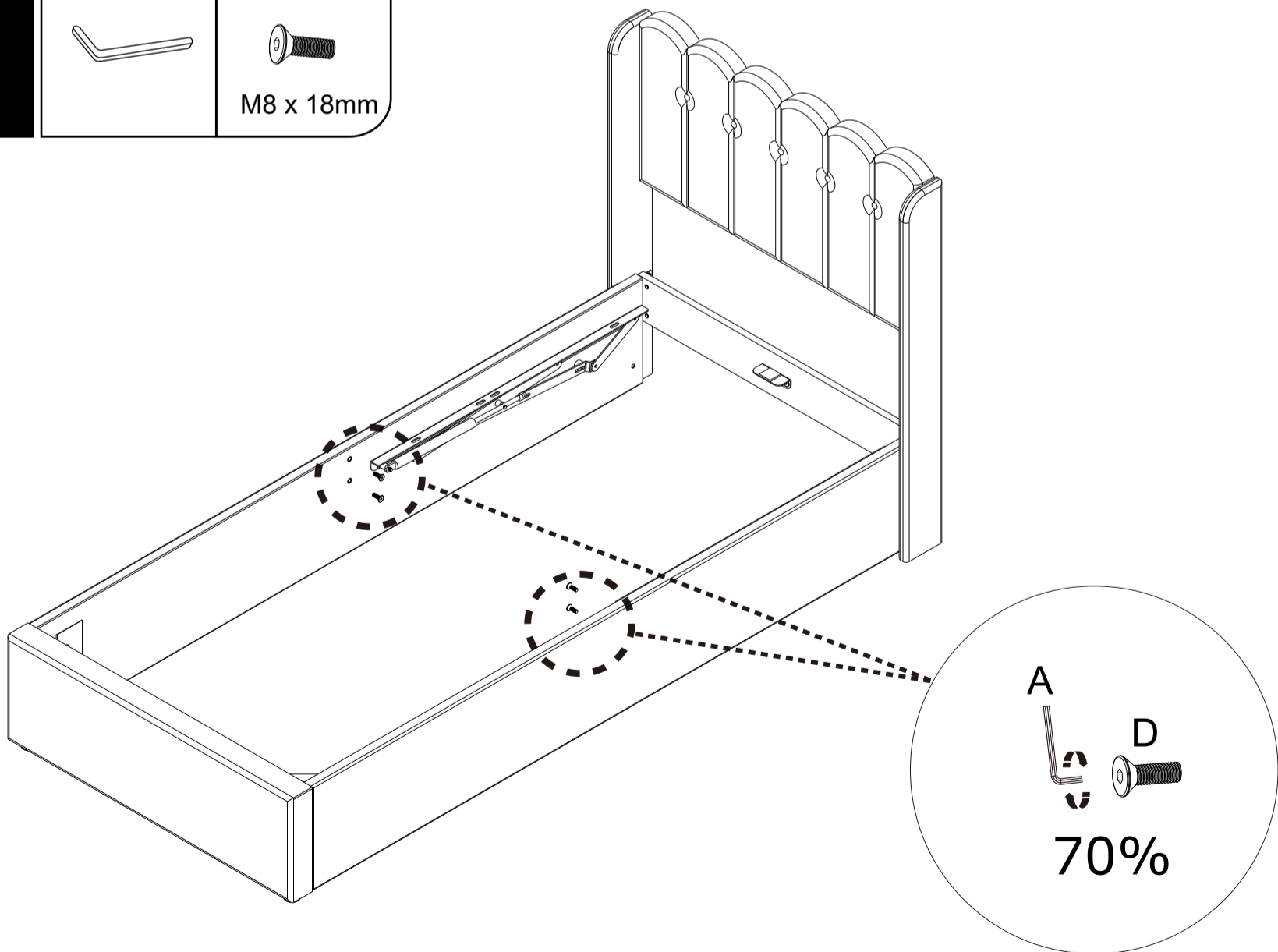
<b>6</b>	A x 1	G x 4	J x 4
		 M8 x 40mm	



<b>7</b>	A x 1	E x 8	N x 2
		 M8 x 20mm	

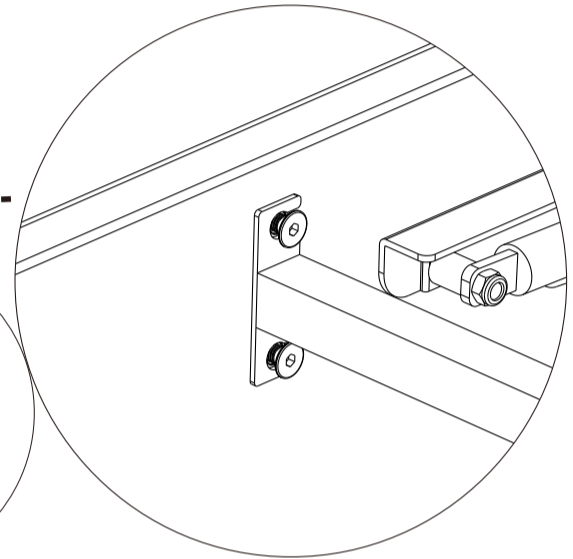
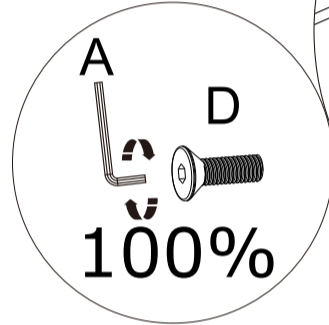
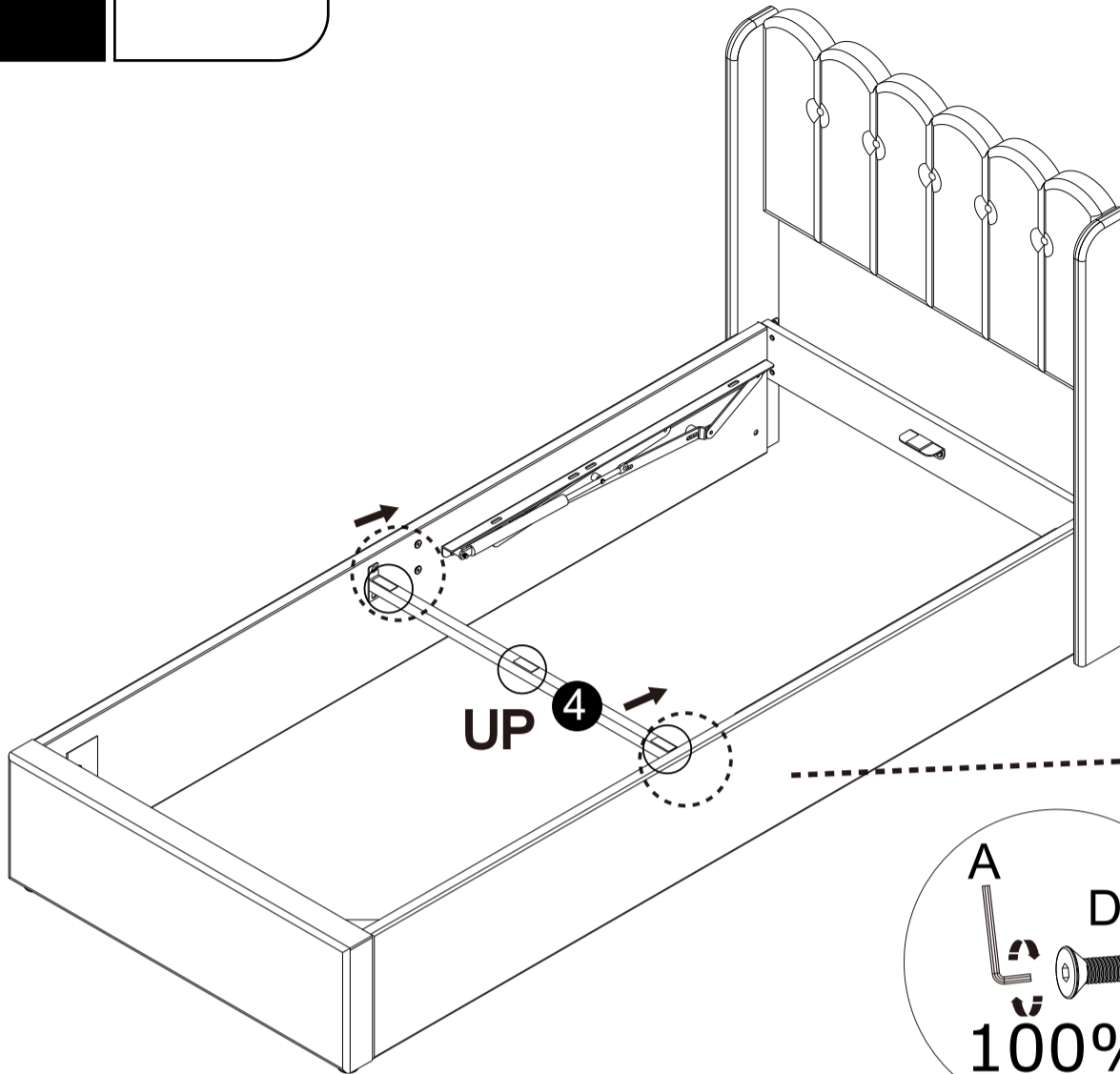


<b>8</b>	A x 1	D x 4
		 M8 x 18mm

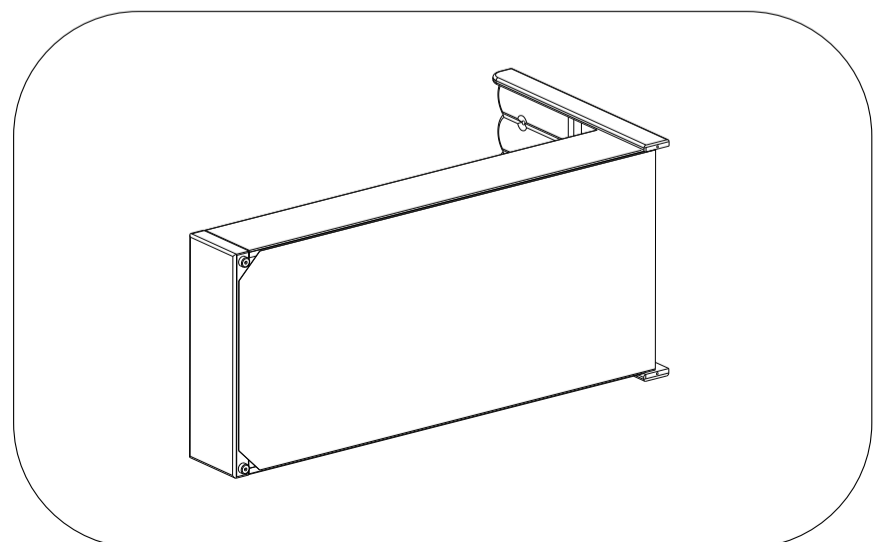
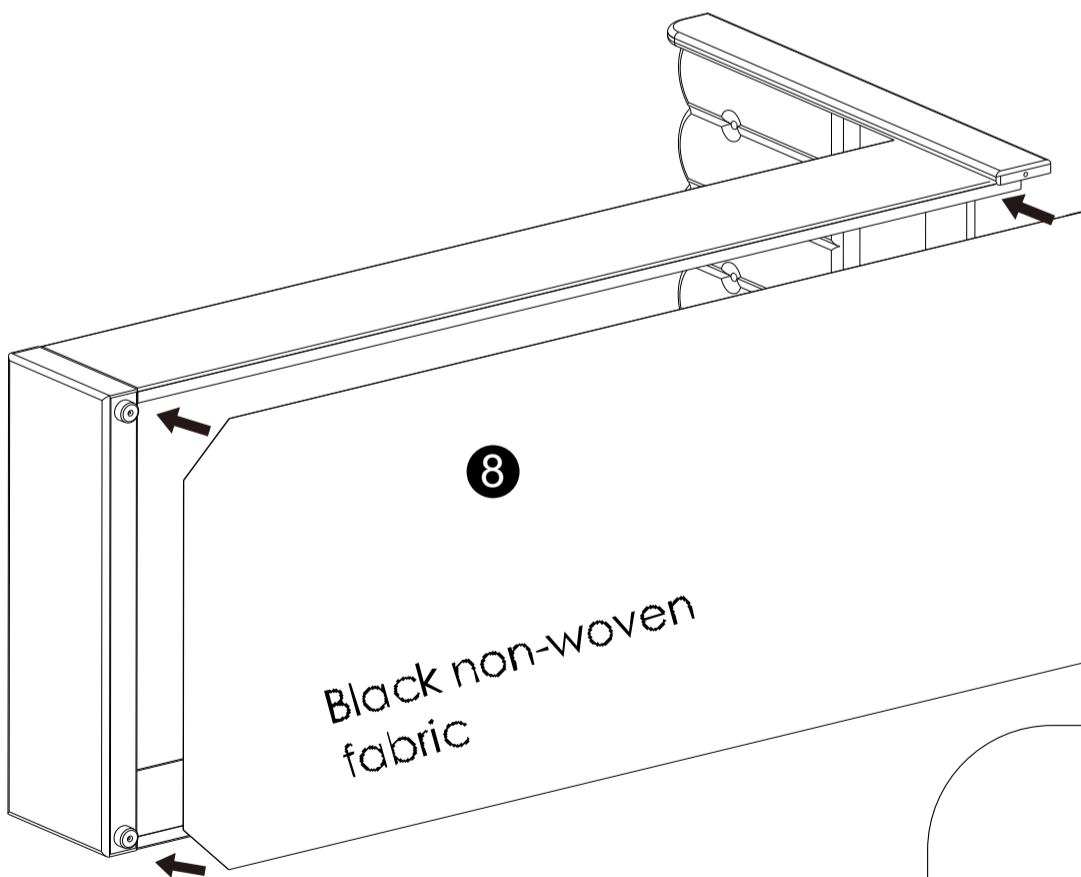


9

A x 1



10



# 11

A x 1

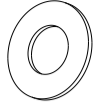


G x 4

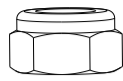


M8 x 40mm

J x 4



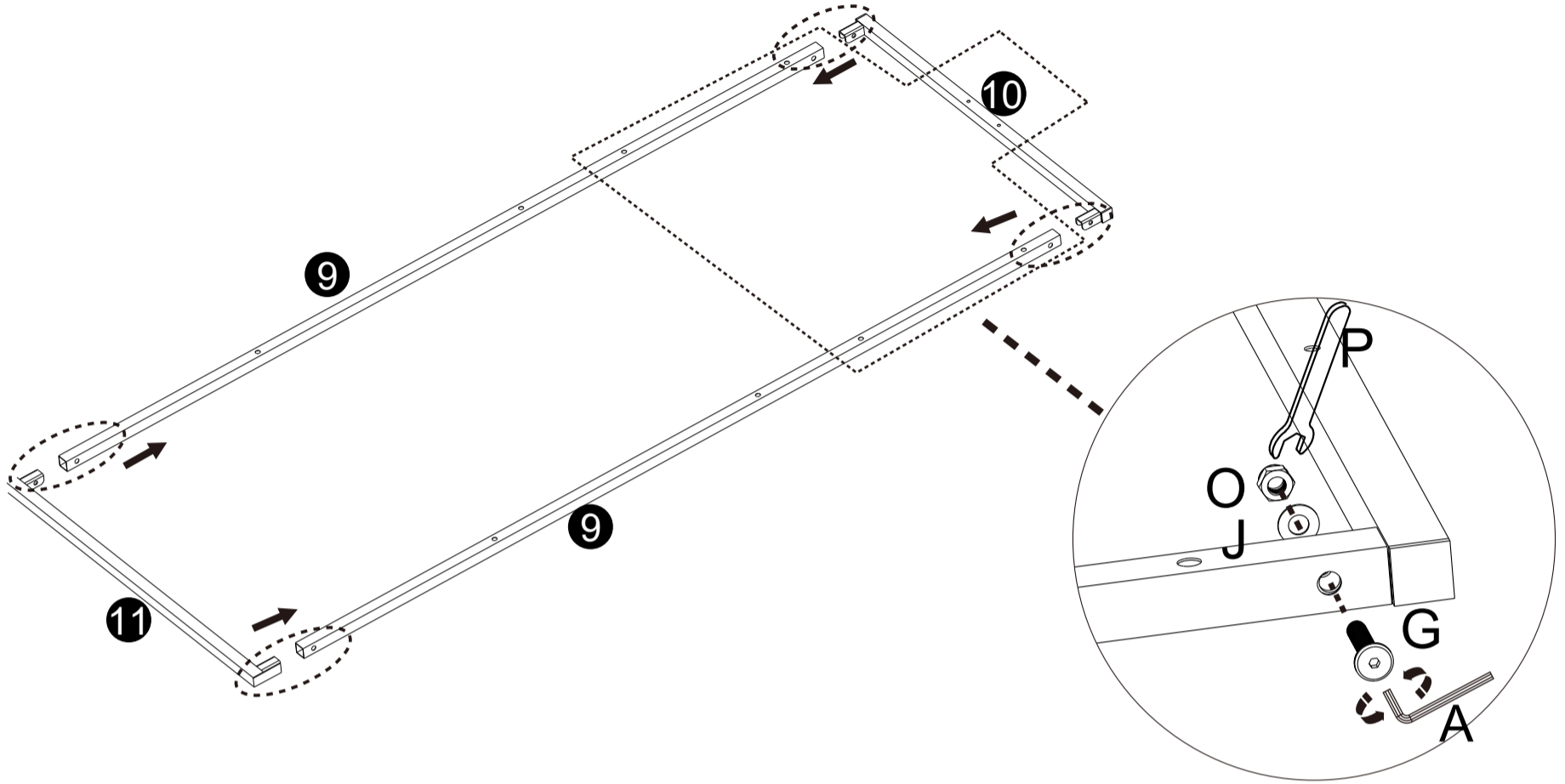
O x 4



P x 1



!!! Please aware the orientation of the holes on #9  
!!!Bitte beachten Sie die Ausrichtung der Löcher auf #9  
!!! Attention à l'orientation des trous sur le #9



# 12

A x 1

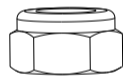


G x 6

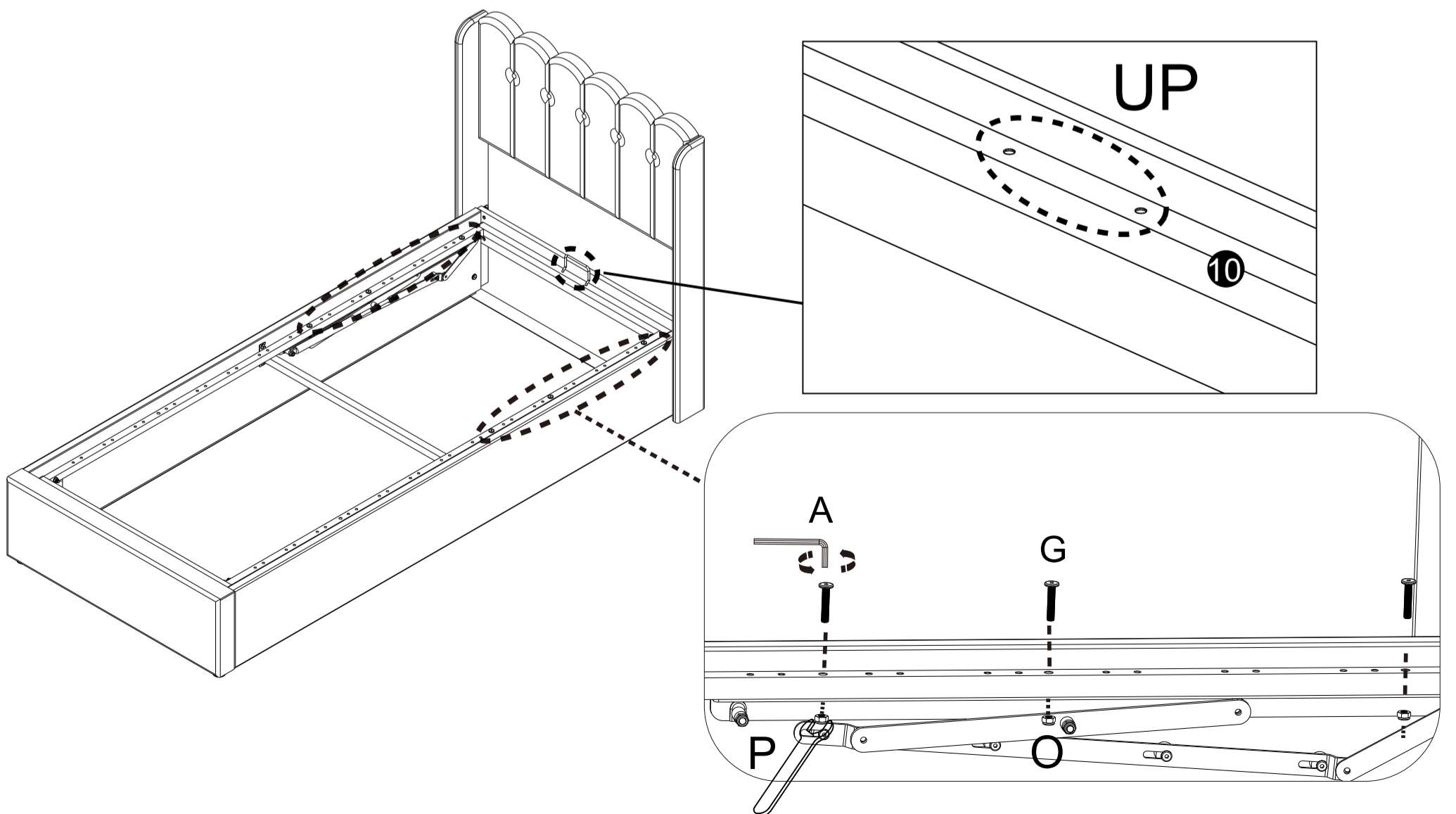


M8 x 40mm

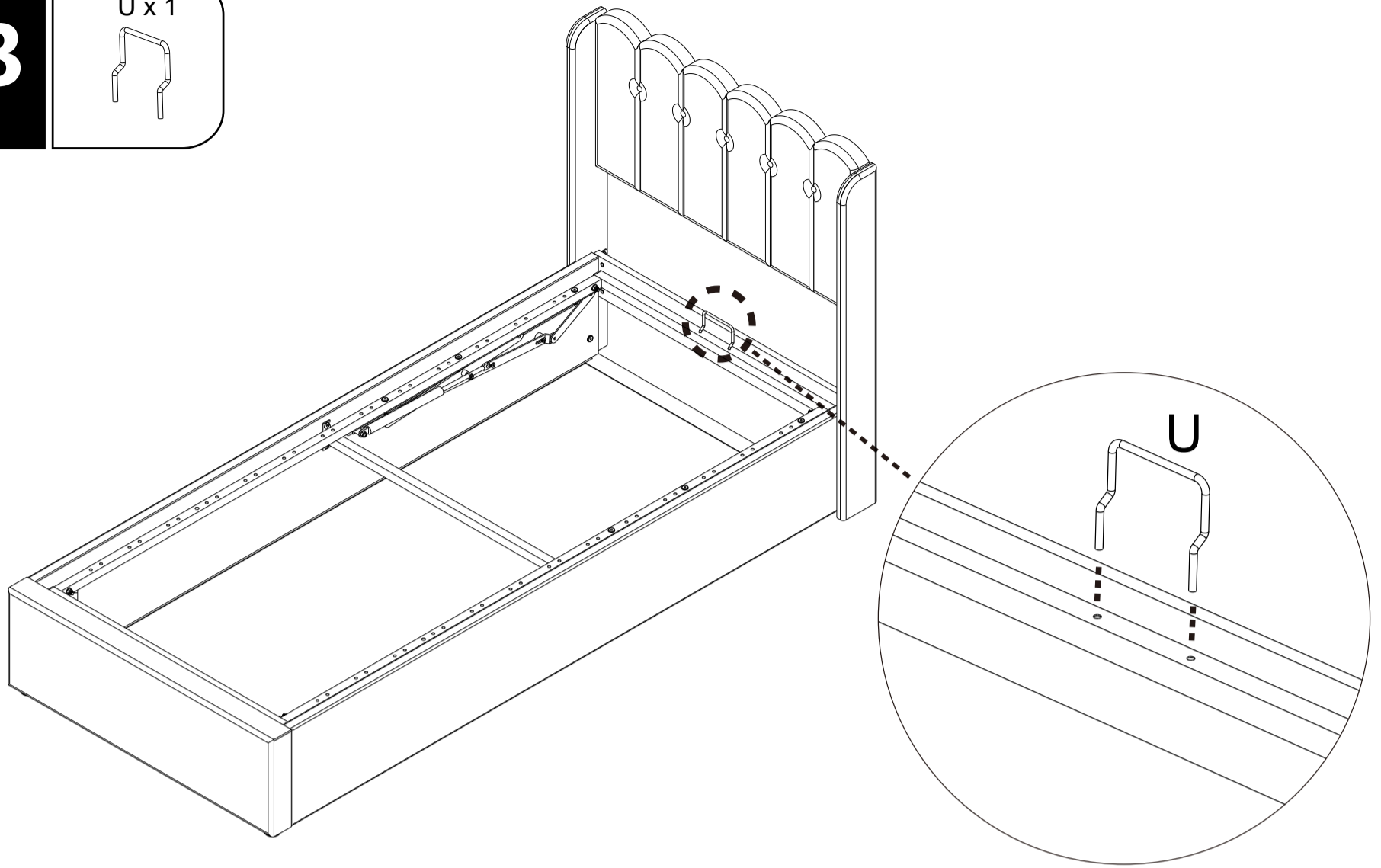
O x 6



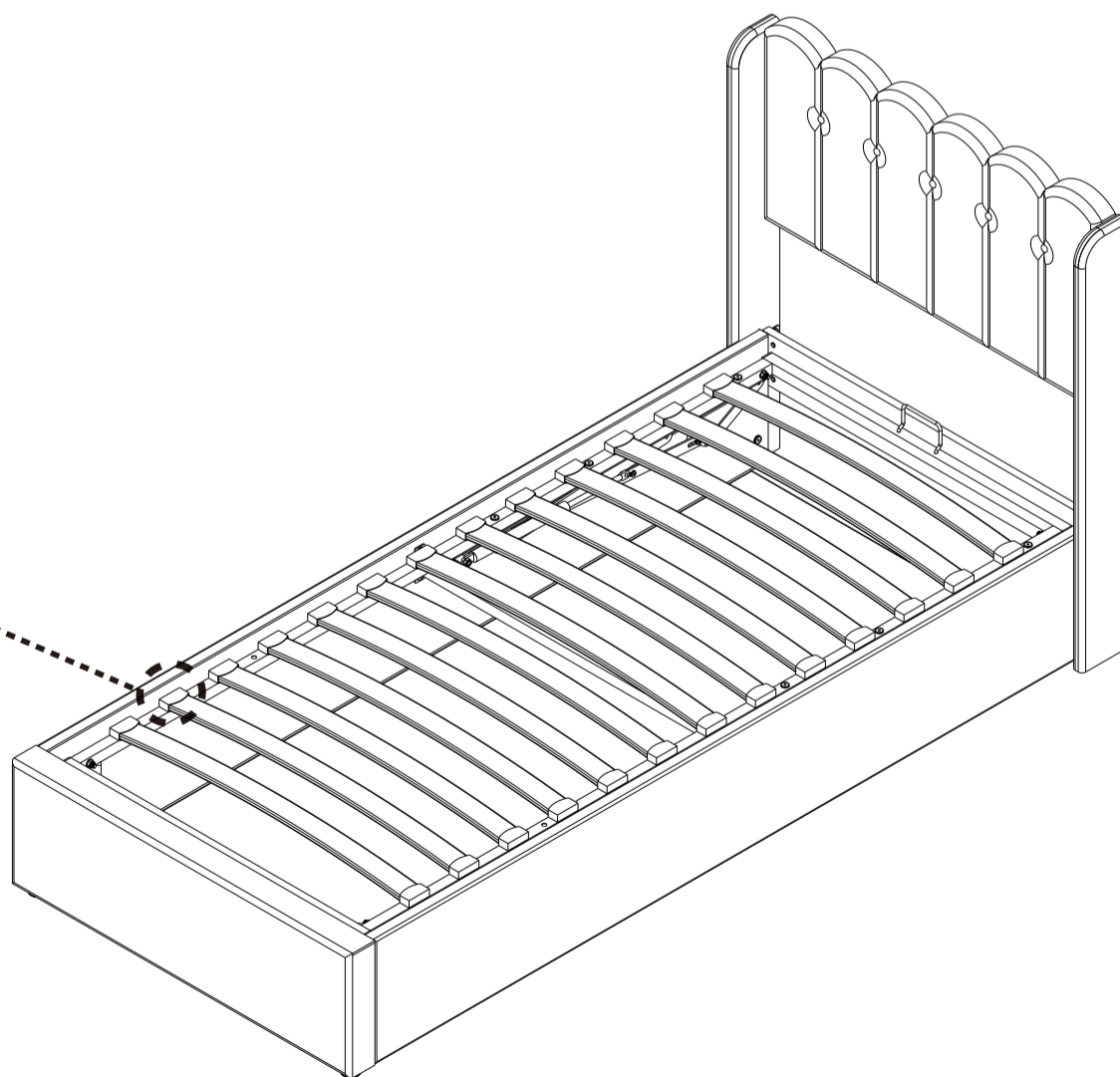
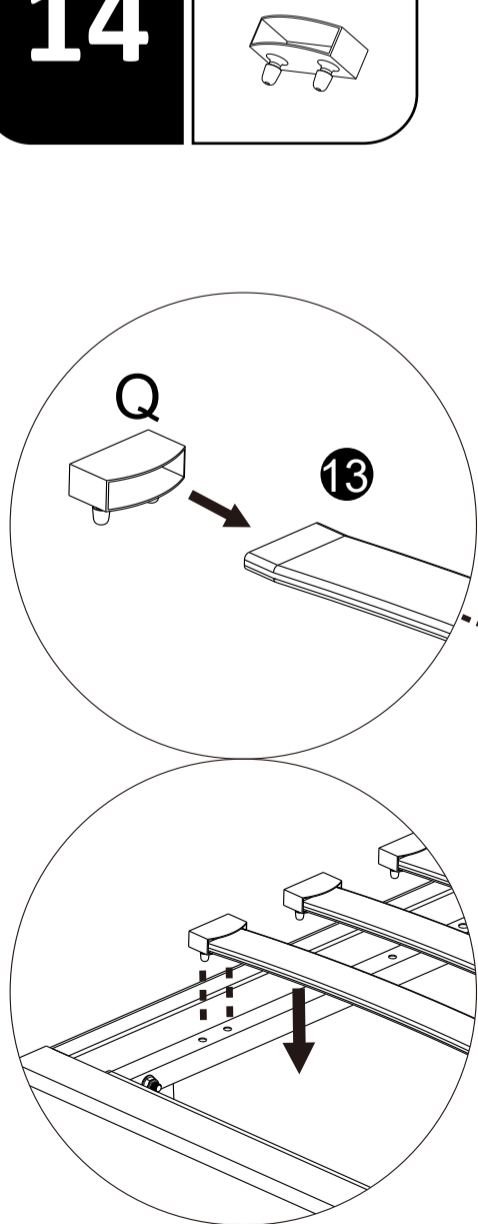
P x 1



**13** U x 1

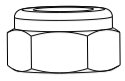


**14** Q x 26

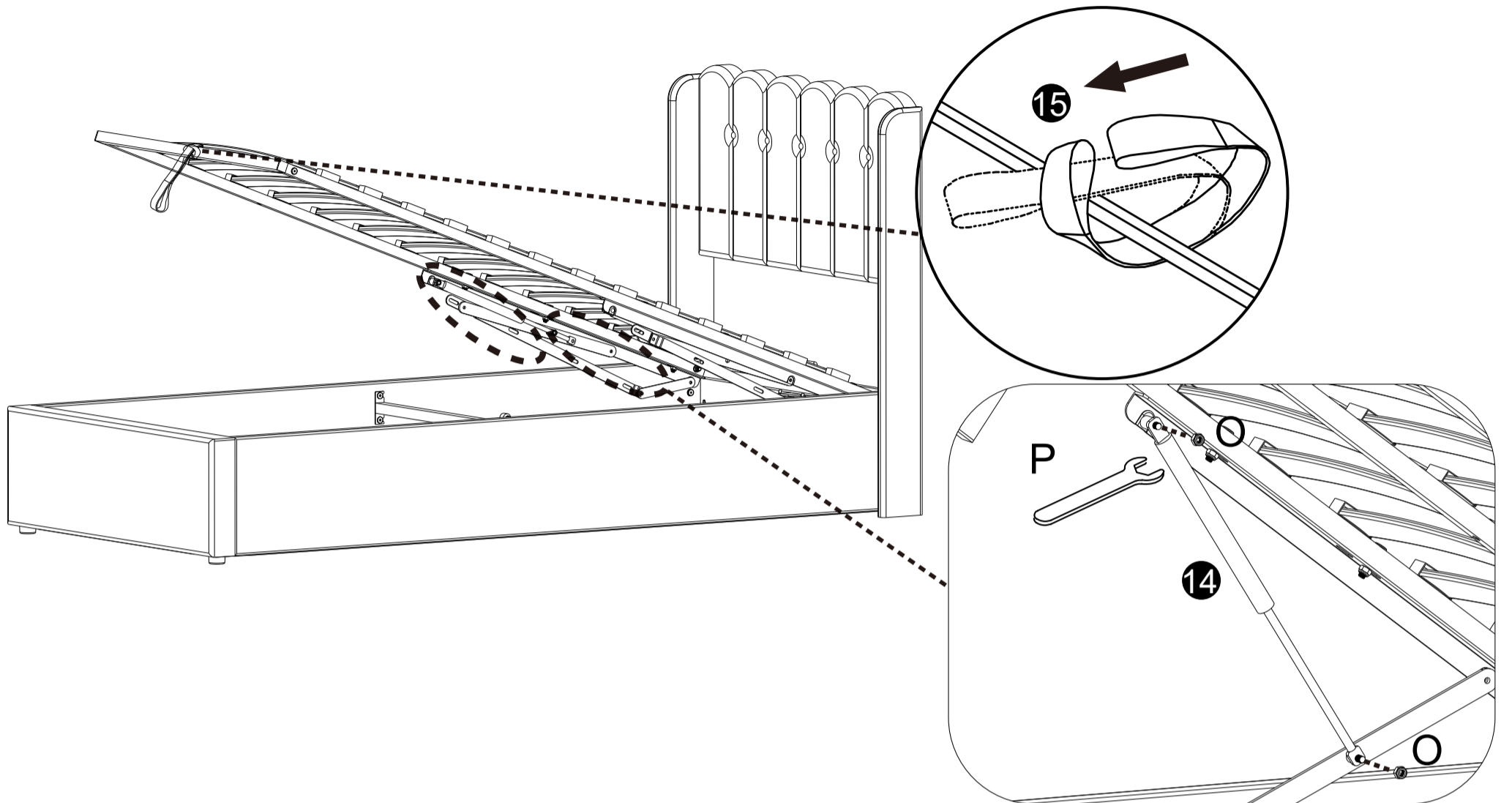


**15**

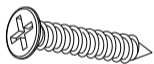
O x 4



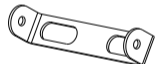
P x 1

**16**

Y x 4



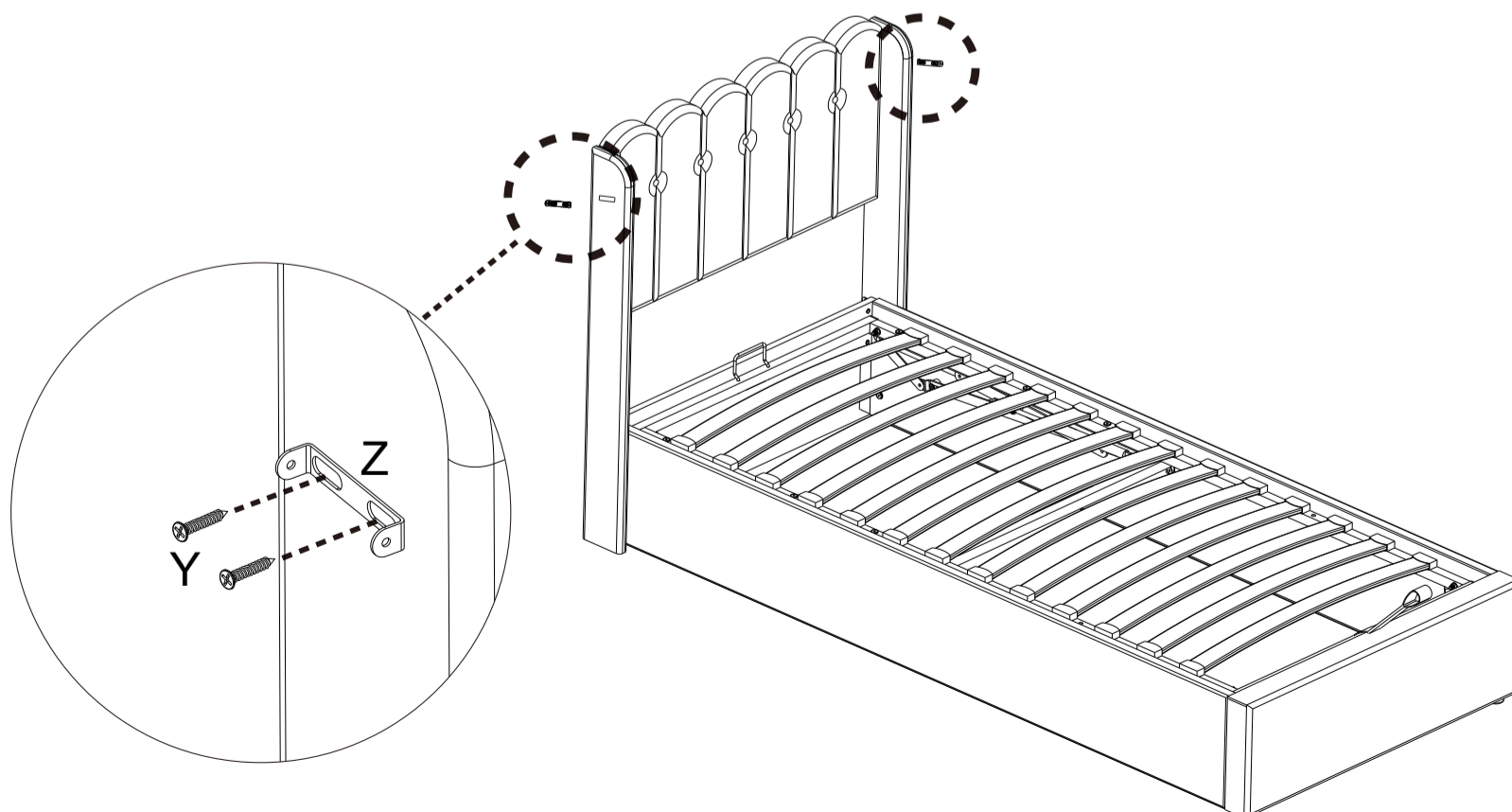
Z x 2



! Please install the iron filings #Z inside the frame line.

! Bitte installieren Sie das Eisen #Z innerhalb der Rahmenlinie.

! Veuillez installer la limaille de fer #Z à l'intérieur de la ligne de cadre.



17

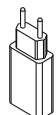
L x 1



R x 1



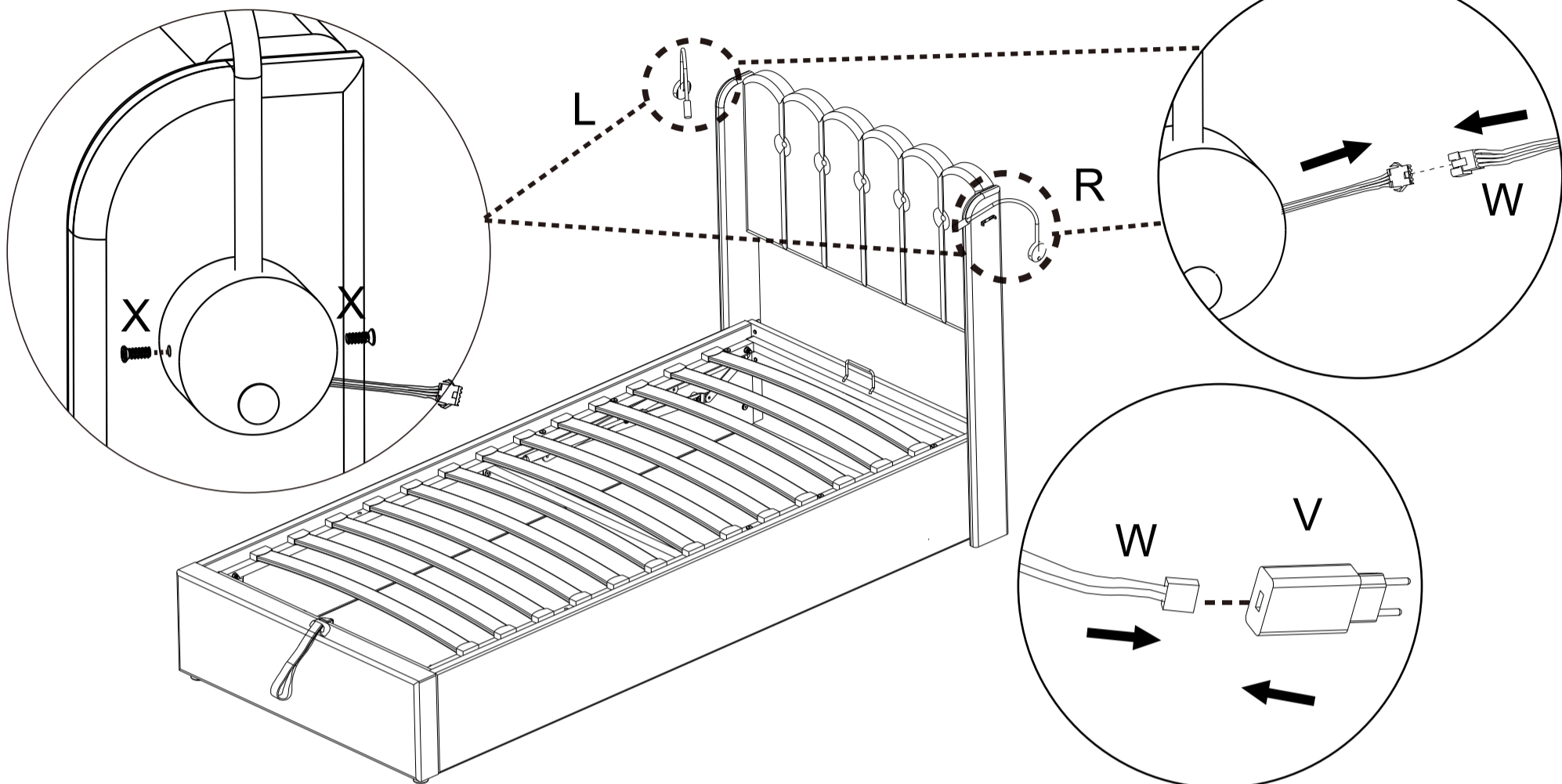
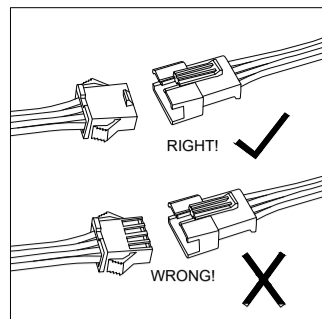
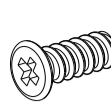
V x 1



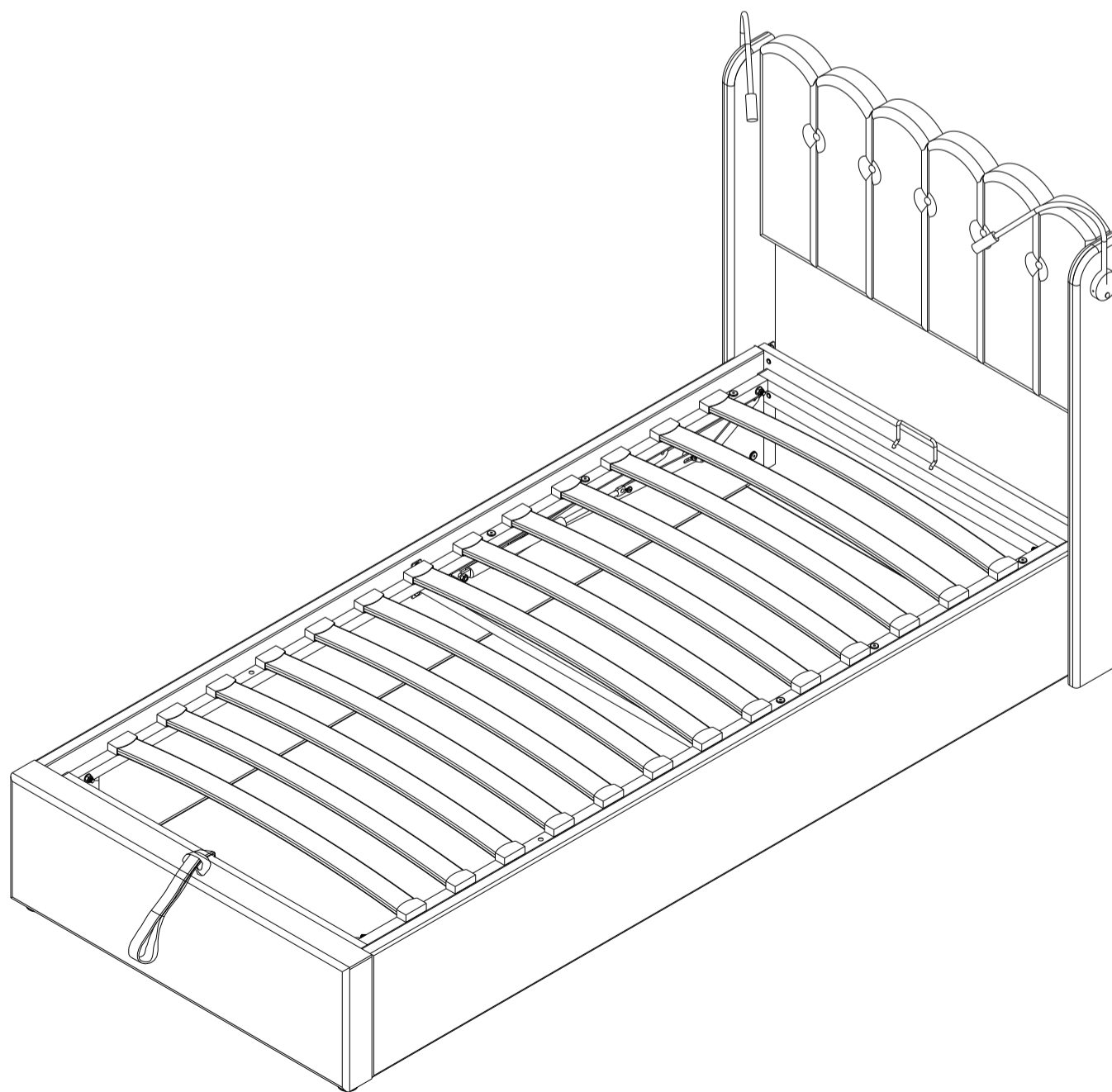
W x 1



X x 4



18



# ★ IMPORTANT NOTICE ★

## HYDRAULIC BED OPERATING INSTRUCTIONS

Once your bed frame is completely assembled, the slat unit will not operate correctly unless a mattress is placed on the slat frame. Position the mattress on the slat frame whilst it is in the closed position.

**PLEASE NOTE** - It takes a lot of force to make the initial movement of the ottoman. This is a design feature of the product so that it does not fall shut the nearer to being closed the ottoman is, the easier it is to move. When the ottoman is almost shut, it will close completely under its own weight.

When lowering the slat unit for the first time, take care to make sure it does not rub unevenly on the inside face of the side rails. If it does, the bed has been assembled slightly out of square. This can be rectified by moving the foot end of the bed slightly to the left or right whilst leaving the head end stationary.

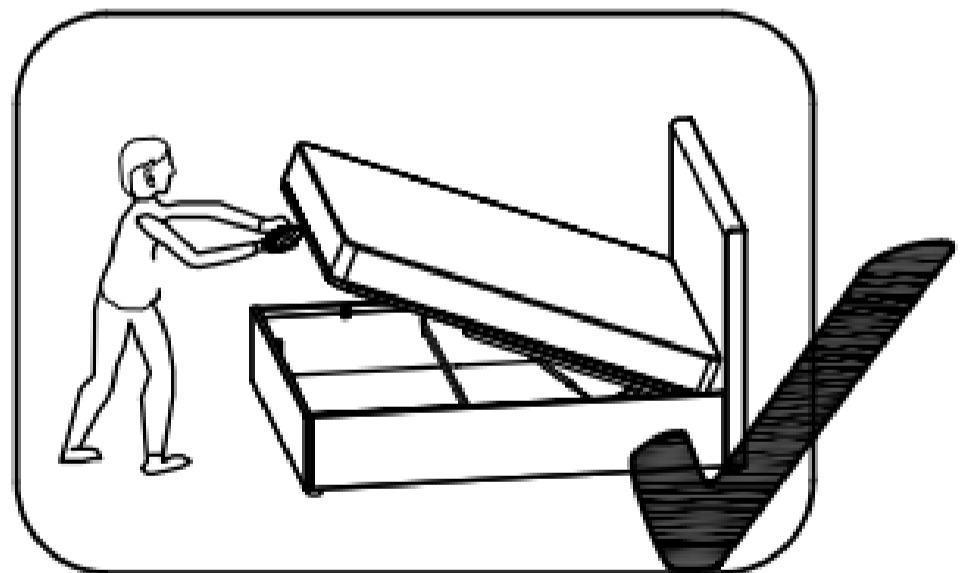
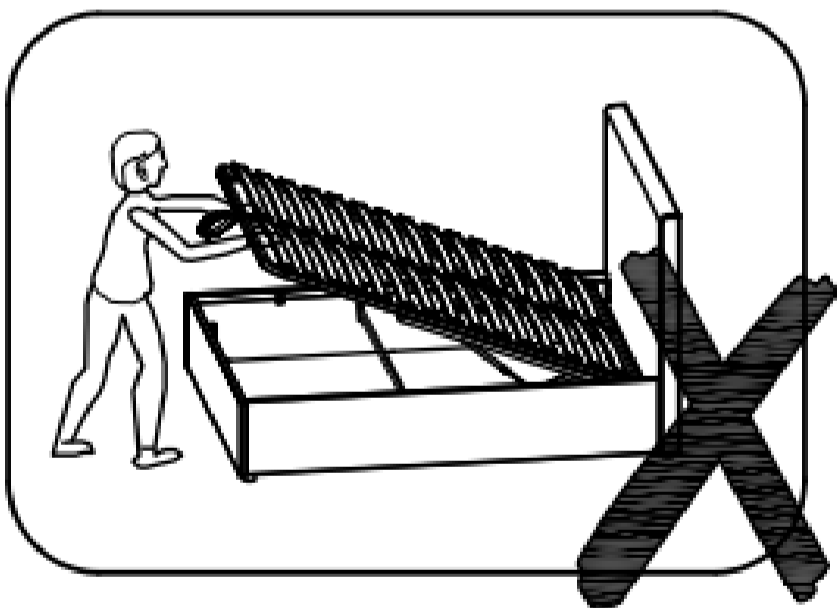
## PISTONS

The pistons used in the construction of this product are extremely strong and cannot be operated by hand when taken off the ottoman. All pistons are tested for correct pressure and operation before being attached to the slat unit.

Initially it might appear that the pistons are very stiff when opening and closing the ottoman.

### **THIS IS PERFECTLY NORMAL**

When fully assembled and the mattress is in position, please raise and lower the ottoman 4/5 times to ensure the gas piston are fully lubricated.





# Certificate of Conformity

Certificate No. : WTY22030301001S

Report No. : WTY22030301001S

**Applicant** : Shenzhen Fangxin Technology Co. Ltd.  
**Address** : The third floor,Bldg9, A6 Areal, Tongfuyu Industrial Park,  
Shajing Street, Bao'an District, ShenZhen City, China  
**Product** : USB Power ADAPTER  
**Brand Name** : Fxin  
**Model No.** : FX18E-050300U1, FX18E-050300U3, FX18E-050300U9,  
FX18E-050300U12  
**Ratings** : Input: 100-240V~, 50/60Hz, 0.5A, Class II apparatus  
Output: See report for details.  
**Test Standard(s)** : EN 62368-1:2014+A11:2017

This certificate of conformity is based on an evaluation of a sample of the above mentioned product. Technical Report and documentation are at the Licence Applicants disposal. Once compliance with all product relevant mark regulations are verified, including any relevant e.g. risk assessment and production control, the manufacturer may indicate compliance by signing a Declaration of Conformity themselves and applying the mark to products identical to the tested sample(s).



Hero wu  
(Manager)  
Mar. 23, 22

Shenzhen Watt Power Testing Institute Co., Ltd.

Tel: (86)-755-85297065

Fax: (86)-755-21500685

Http://: www.wtypower.com

Mail: test@wtypower.com

Area A, Floor 1, Building C, Guosheng Industrial Park, No. 101 Junxin Road, Shimajing community ,  
Guanlan Street, Longhua New District, Shenzhen



# Certificate of Conformity

Certificate No. : WTY22030301001E

Report No. : WTY22030301001E

**Applicant** : Shenzhen Fangxin Technology Co., Ltd  
**Address** : The third floor,Bldg9, A6 Areal, Tongfuyu Industrial Park, Shajing Street, Bao'an District, ShenZhen City, China  
**Product** : SWITCHING ADAPTER  
**Model No.** : FX18E-050300U1, FX18E-050300U3, FX18E-050300U9, FX18E-050300U12

**Ratings** :

Model No.	Rating input	Rating output	Output Power (W. Max)
FX18E-050300U1	100-240V~, 50/60Hz, 0.5A	5VDC, 3A; 9VDC, 2A;12VDC, 1.5A.	18.0
FX18E-050300U3		5VDC, 3A	15.0
FX18E-050300U9		9VDC, 2A	18.0
FX18E-050300U12		12VDC, 1.5A	18.0

**Test Standard(s)** : EN 55032:2015/A11:2020  
EN 55035:2017/A11:2020  
EN IEC61000-3-2:2019/A1:2021  
EN 61000-3-3:2013/A1:2019

This certificate of conformity is based on an evaluation of a sample of the above mentioned product. Technical Report and documentation are at the License Applicant's disposal. This is to certify that the tested sample is in conformity with the Directive 2014/30/EU relating to electromagnetic compatibility.

This certificate does not imply assessment of the series-production of the product. The Applicant of the certificate is authorized to use this certificate in connection with the EC declaration of conformity according to Annex IV of the Directive.



Hero wu  
(Manager)  
Mar. 18, 2022

Shenzhen Watt Power Testing Institute Co., Ltd.

Tel: (86)-755-85297065

Fax: (86)-755-21500685

Http://: www.wtypower.com

Mail: test@wtypower.com

Floor 1, Bldg. C, Guosheng Industry Zone, No. 101 Junxin Road, Guanlan, Longhua New District, Shenzhen

## TEST REPORT DECLARATION

Applicant	:	EYUE TECHNOLOGY CO., LTD
Address	:	2F, XINWANGYUAN HIGH-TECH INDUSTRIAL PARK, ZHANGMUTOU TOWN, DONGGUAN, GUANGDONG, 523627 CHINA
EUT Description	:	Reading light
Model Number	:	EY-L119, EY-L111, EY-L118, EY-LXXX (Note: "A to Z, 0 to 9" Only for models used as additional models, all tests were tested on model EY-L119 )
Ratings	:	AC 100-240V

### Test Standards:

EN IEC 55015:2019+A11:2020,  
EN 61547:2023  
EN IEC 61000-3-2:2019/A1:2021  
EN 61000-3-3:2013/A2:2021/AC:2022

This report shows that the EUT technically complies with the 2014/30/EU directive and its amendment requirements.

The test report is valid for above tested sample only and shall not be reproduced in part without written approval of the laboratory.

Prepared by :

*huay Jiang*

Assistant

Reviewer :

*Cindy yang*

Supervisor

Approved & Authorized Signer :

*[Signature]*

Manager

