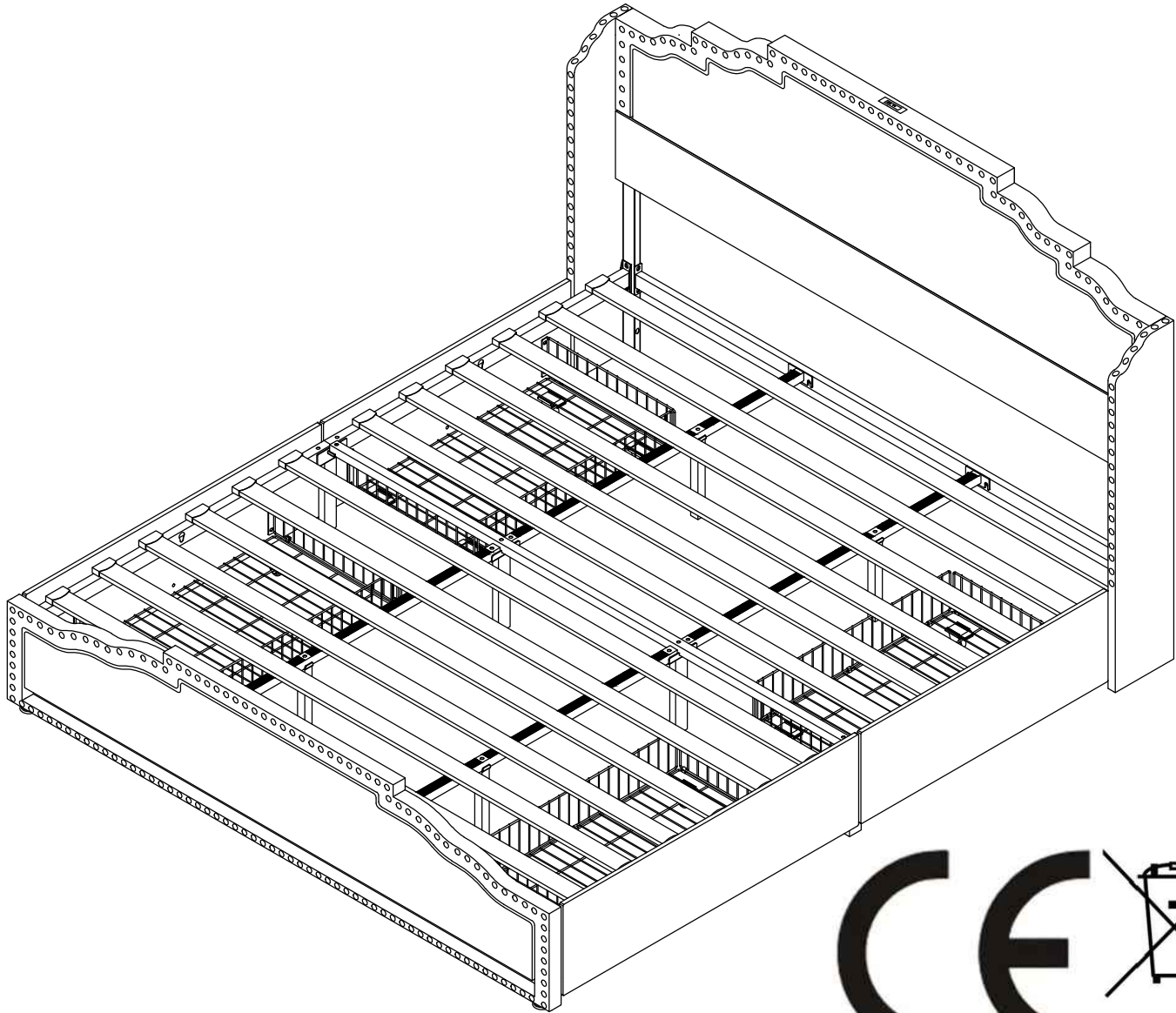


# Montageanleitung | Instructions de montage

## Assembly Instructions | Instrucciones de montaje

SKU NUMBER: N616P269810 N616P269811

N616P269812



**GB** This set comes in 3 boxes. If you do not receive a full set of 3 boxes, please contact our customer service.

**DE** Dieses Set wird in 3 Schachteln geliefert. Wenn Sie nicht ein komplettes Set von 3 Boxen erhalten, kontaktieren Sie bitte unseren Kundenservice.

**FR** Ce set est livré en 3 boîtes. Si vous ne recevez pas un jeu complet de 3 boîtes, veuillez contacter notre service clientèle.

**English****IMPORTANT ! KEEP FOR FUTURE REFERENCE : READ CAREFULLY**

- To be assembled by an adult. Assembly must be checked by an adult before use
- WARNING ! Keep all screws, small parts and plastic bags out of the reach of children
- Properly identify all parts before assembling
- Never use your item if any of its parts are broken or missing
- Should any problems arise, please contact our After Sales Service
- Manufacturer's instructions shall be followed at all times
- Care: Clean with a soft, dry cloth. In case of larger stains, carefully rub with a slightly damp, non-abrasive sponge
- Avoid the risk of fire by not placing furniture near sources of ignition or hot items
- Do not jump on the bed

**Deutsch****WICHTIG ! ZUM SPÄTEREN NACHSCHLAGEN AUFBEWAHREN: SORGFÄLTIG LESEN**

- Muss von einem Erwachsenen zusammgebaut werden. Der Zusammenbau muss vor dem Gebrauch von einem Erwachsenen überprüft werden
- WARNUNG! Bewahren Sie alle Schrauben, Kleinteile und Plastikbeutel außerhalb der Reichweite von Kindern auf
- Kennzeichnen Sie vor dem Zusammenbau alle Teile richtig
- Benutzen Sie Ihren Artikel niemals, wenn Teile gebrochen sind oder fehlen
- Sollten Probleme auftreten, wenden Sie sich bitte an unseren Kundendienst
- Die Anweisungen des Herstellers sind stets zu befolgen
- Pflege: Mit einem weichen, trockenen Tuch reinigen. Bei größeren Flecken vorsichtig mit einem leicht feuchten, nicht scheuernden Schwamm abreiben. nicht scheuernden Schwamm
- Vermeiden Sie die Gefahr eines Brandes, indem Sie die Möbel nicht in der Nähe von Zündquellen oder heißen Gegenständen aufstellen
- Nicht auf das Bett springen

**Français****IMPORTANT ! CONSERVER POUR RÉFÉRENCE ULTÉRIEURE : LIRE ATTENTIVEMENT**

- Le montage doit être effectué par un adulte. Le montage doit être vérifié par un adulte avant Utilisation
- ATTENTION ! Tenir les vis, les petites pièces et les sachets en plastique hors de portée des enfants
- Identifiez correctement toutes les pièces avant de les assembler
- N'utilisez jamais votre article si l'une de ses pièces est cassée ou manquante
- En cas de problème, veuillez contacter notre service après-vente
- Les instructions du fabricant doivent être respectées à tout moment
- Entretien : nettoyer avec un chiffon doux et sec. En cas de taches plus importantes, frotter soigneusement avec une éponge non abrasive légèrement humide. légèrement humide et non Abrasive
- Évitez les risques d'incendie en ne plaçant pas les meubles à proximité de sources d'inflammation ou d'objets chauds
- Ne pas sauter sur le lit

Italiano

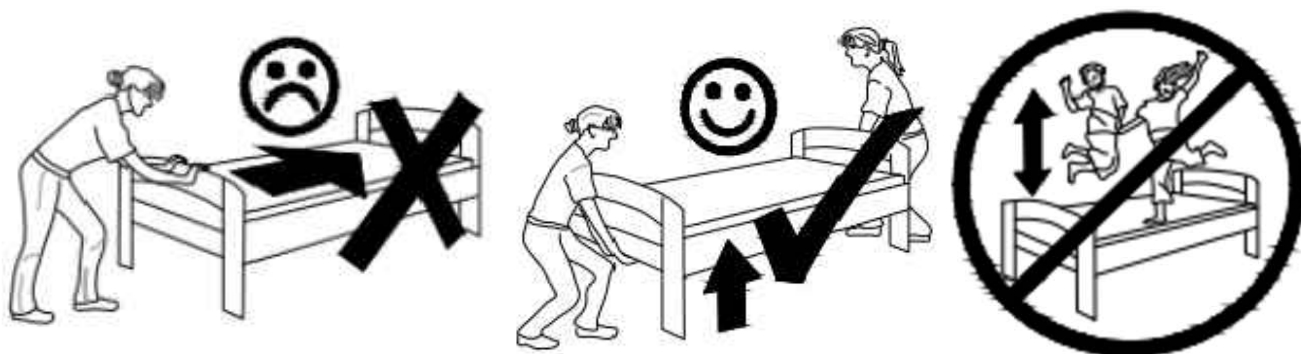
**IMPORTANTE! CONSERVARE PER RIFERIMENTO FUTURO: LEGGERE ATTENTAMENTE**

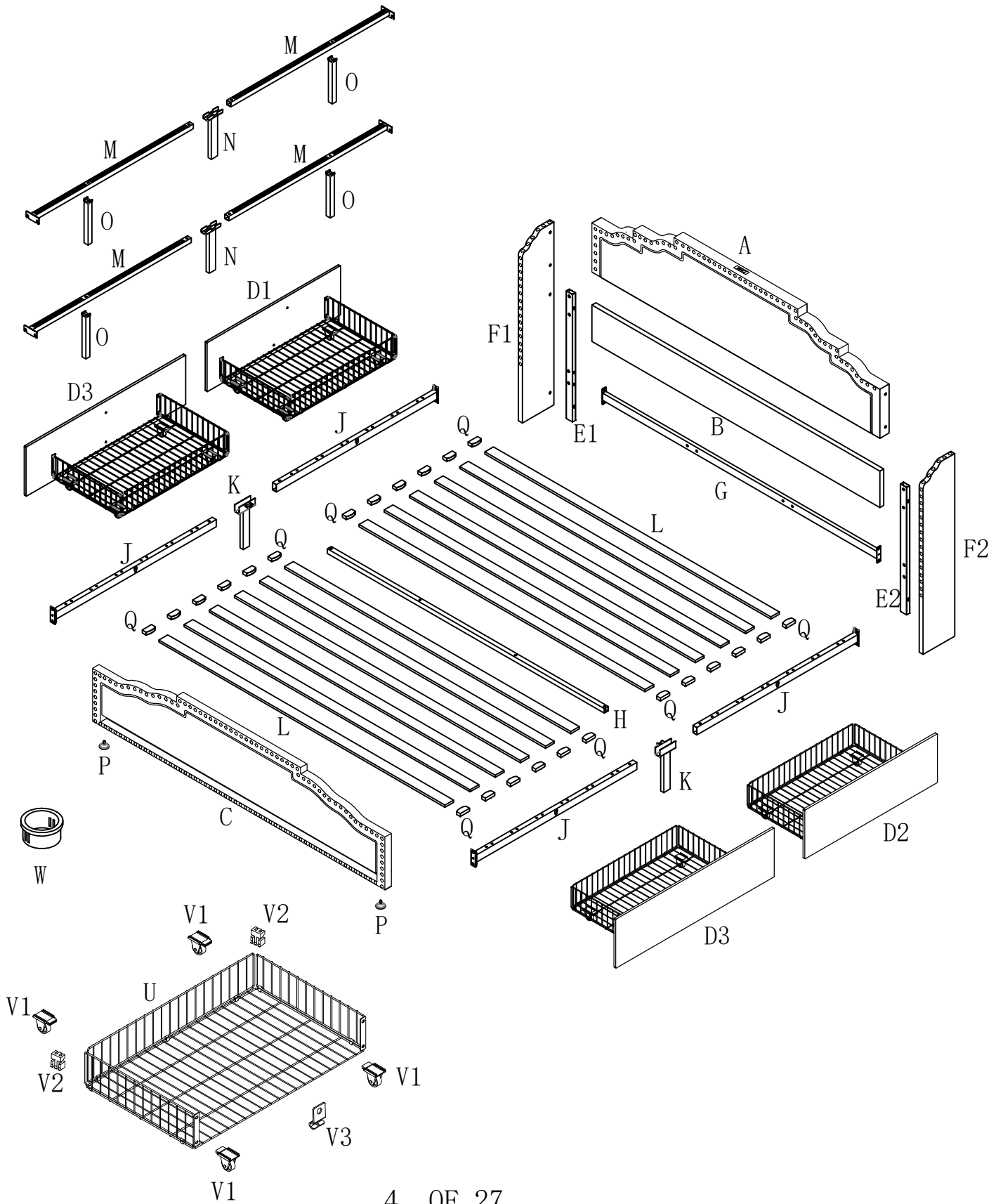
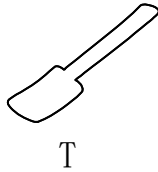
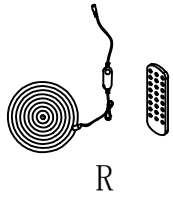
- Deve essere assemblato da un adulto. L'assemblaggio deve essere controllato da un adulto prima dell'uso
- ATTENZIONE! Tenere tutte le viti, le piccole parti e i sacchetti di plastica fuori dalla portata dei bambini
- Identificare correttamente tutte le parti prima dell'assemblaggio
- Non utilizzare mai l'articolo se alcune parti sono rotte o mancanti
- In caso di problemi, si prega di contattare il nostro Servizio Post Vendita
- Le istruzioni del produttore devono essere sempre seguite
- Cura: Pulire con un panno morbido e asciutto. In caso di macchie più estese, strofinare accuratamente con una spugna leggermente umida e nonspugna leggermente umida e non abrasiva
- Evitare il rischio di incendio, non collocando i mobili vicino a fonti di accensione o a oggetti caldi
- Non saltare sul letto

Español

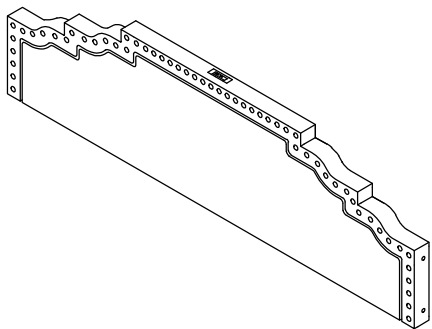
**¡IMPORTANTE ! CONSERVELO PARA FUTURAS CONSULTAS: LEA ATENTAMENTE**

- Debe ser montado por un adulto. El montaje debe ser comprobado por un adulto antes del uso
- ADVERTENCIA Mantenga todos los tornillos, piezas pequeñas y bolsas de plástico fuera del alcance de los niños.
- Identifique correctamente todas las piezas antes de montarlas
- Nunca utilice su artículo si alguna de sus piezas está rota o falta
- Si surge algún problema, póngase en contacto con nuestro Servicio Postventa
- Las instrucciones del fabricante deben seguirse en todo momento
- Cuidado: Limpiar con un paño suave y seco. En caso de manchas más grandes, frote cuidadosamente con una esponja no abrasiva ligeramente humedecida.
- Evite el riesgo de incendio no colocando los muebles cerca de fuentes de ignición u objetos calientes.
- No saltar sobre la cama.

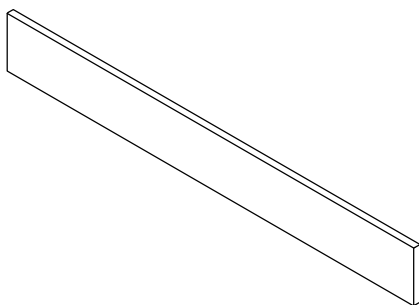




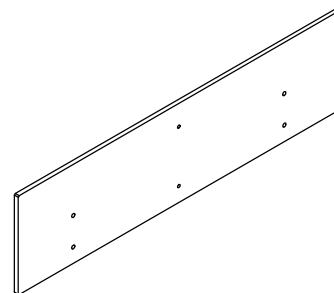
# N616P269810



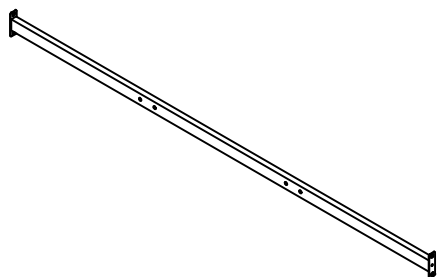
A\*1PC



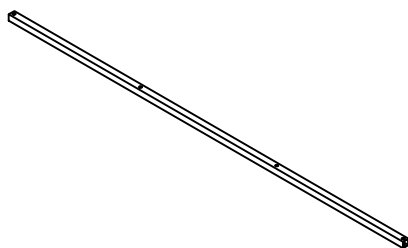
B\*1PC



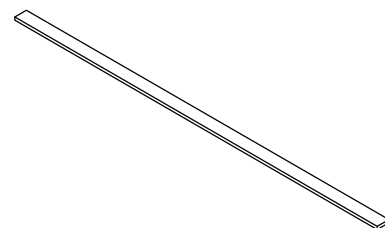
D3\*2PCS



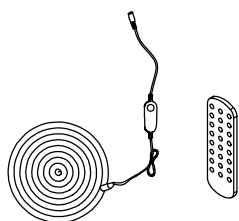
G\*1PC



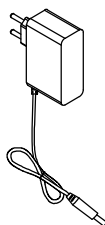
H\*1PC



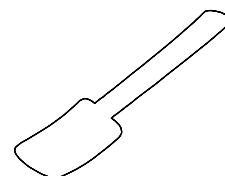
L\*12PCS



R\*1PC

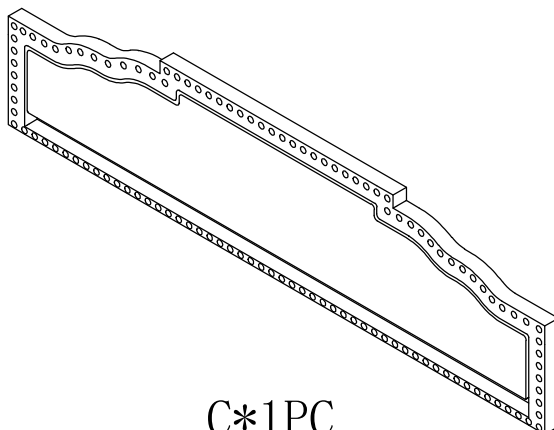


12V2A  
S\*1PC



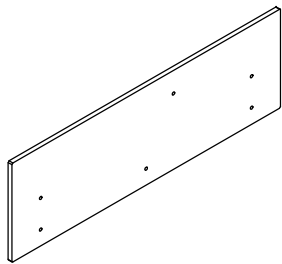
T\*8PCS

# N616P269811

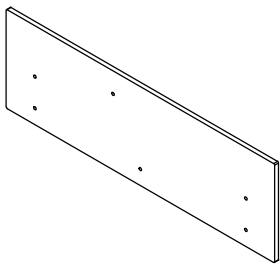


C\*1PC

# N616P269812



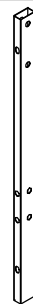
D1\*1PC



D2\*1PC



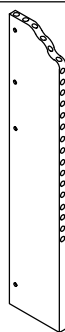
E1\*1PC



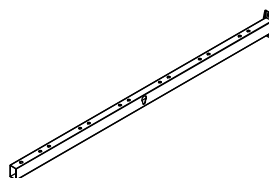
E2\*1PC



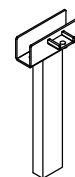
F1\*1PC



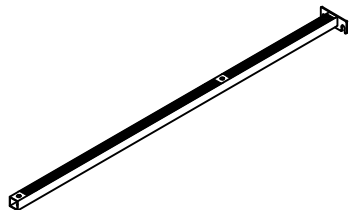
F2\*1PC



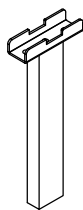
J\*4PCS



K\*2PCS



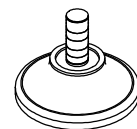
M\*4PCS



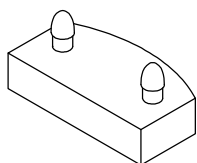
N\*2PCS



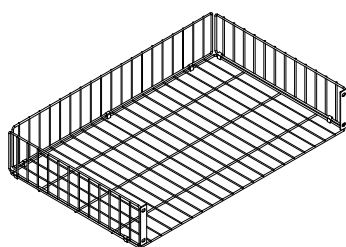
O\*4PCS



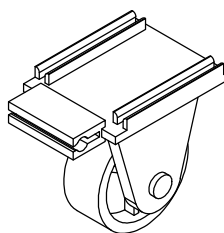
P\*2PCS



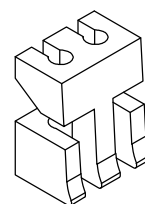
Q\*24PCS



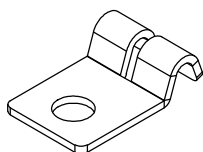
U\*4PCS



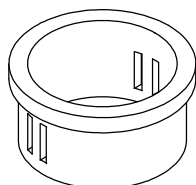
V1\*16PCS



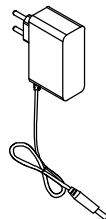
V2\*8PCS



V3\*4PCS

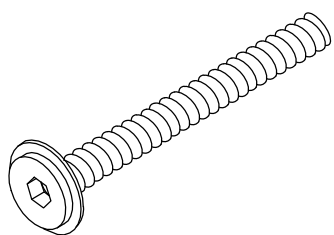


W\*1PC

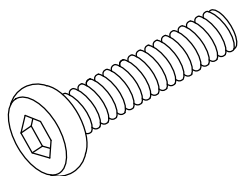


5V2A  
M3\*1PC

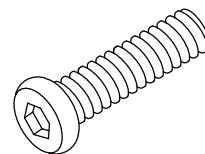
# N616P269812



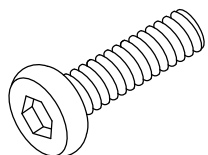
M8\*65MM  
X1\*4PCS



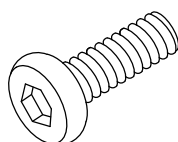
M8\*50MM  
X2\*6PCS



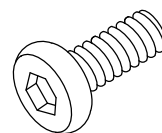
M8\*45MM  
X3\*4PCS



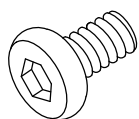
M8\*40MM  
X4\*15PCS



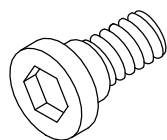
M8\*30MM  
X5\*8PCS



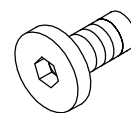
M8\*25MM  
X6\*4PCS



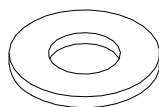
M8\*16MM  
X7\*8PCS



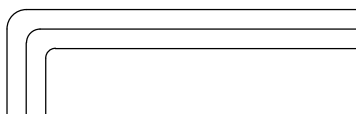
M8\*12MM  
X8\*4PCS



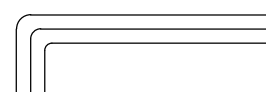
M6\*14MM  
X9\*20PCS



$\phi 22 * \phi 8.5$   
Y\*12PCS



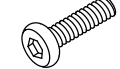
M5  
Z1\*1PC



M4  
Z2\*1PC

1

X4\*4

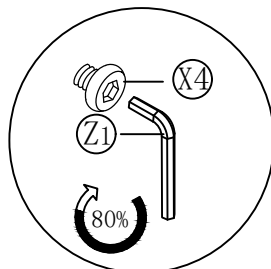
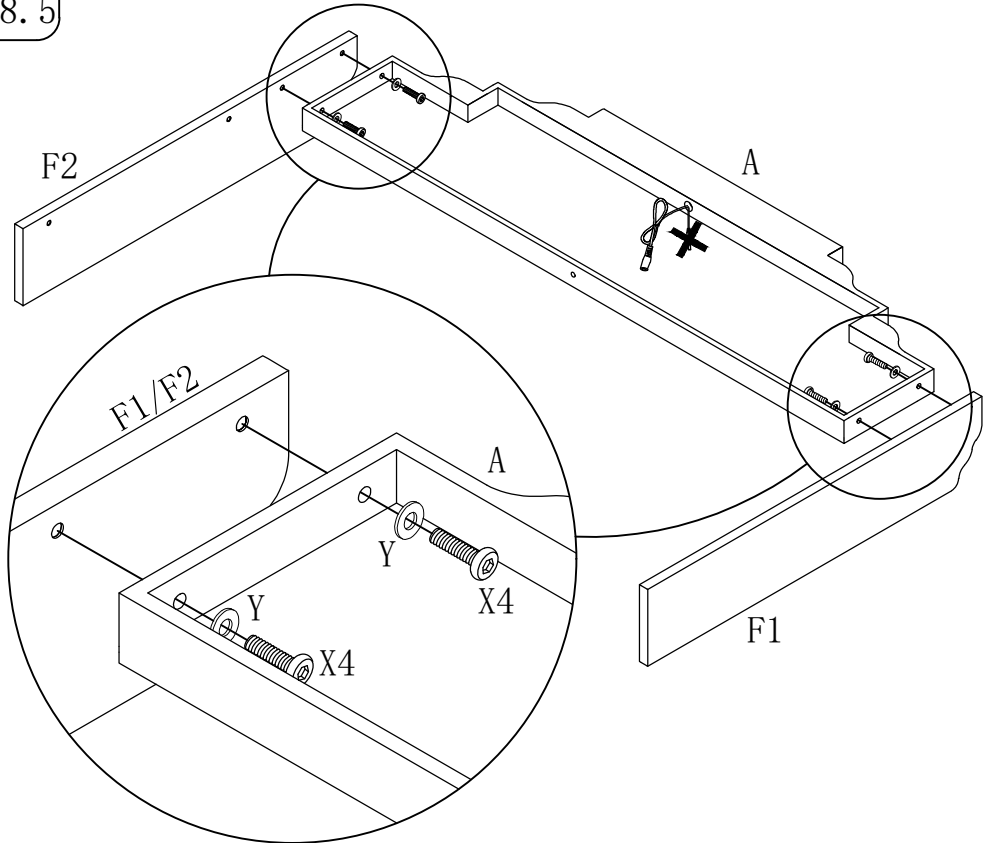


M8\*40MM

Y\*4



Ø22\*Ø8.5



2

X3\*4



M8\*45MM

X7\*4

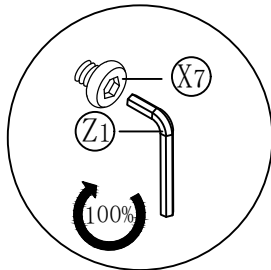
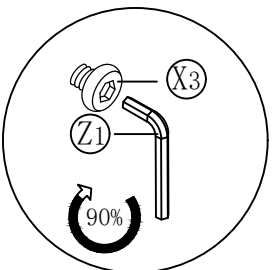
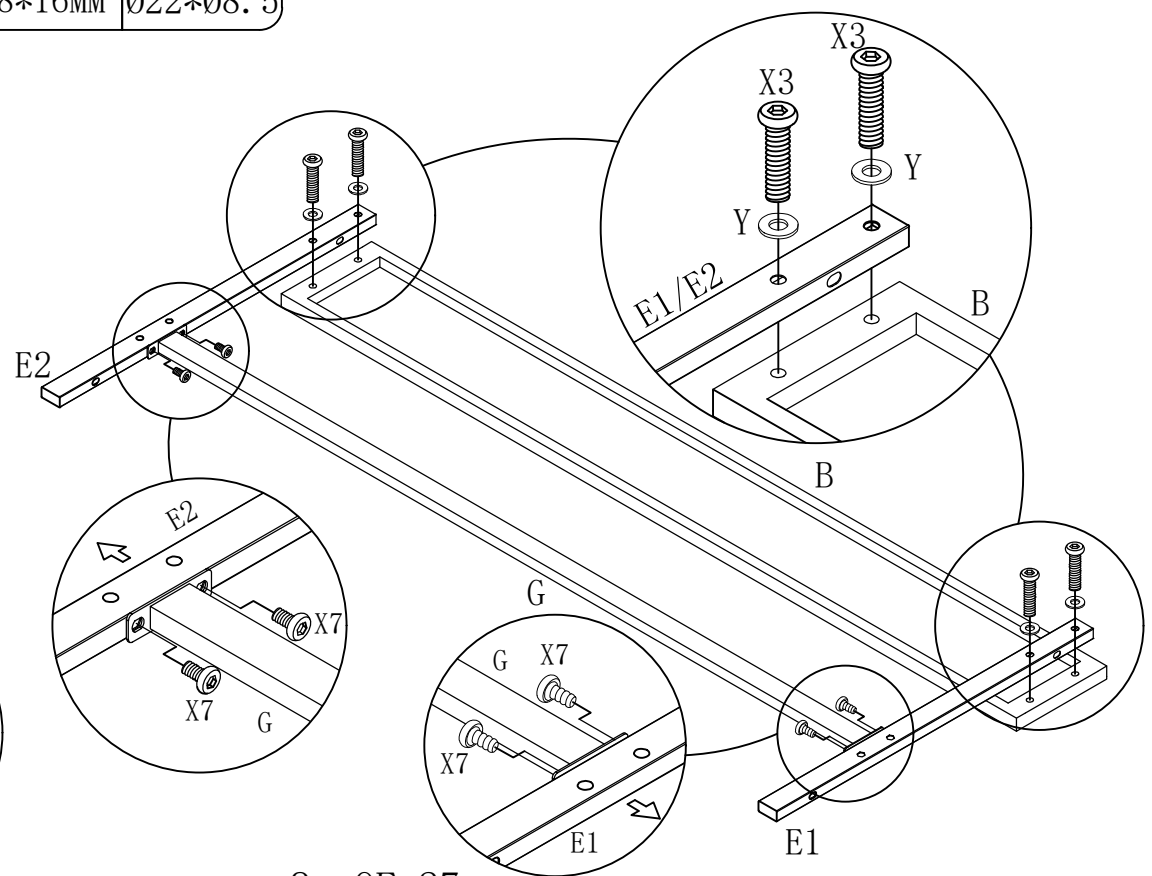


M8\*16MM

Y\*4



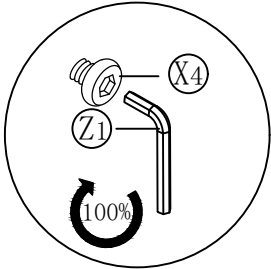
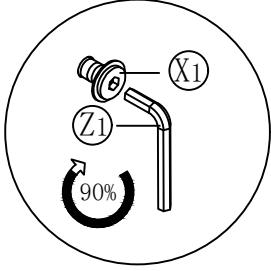
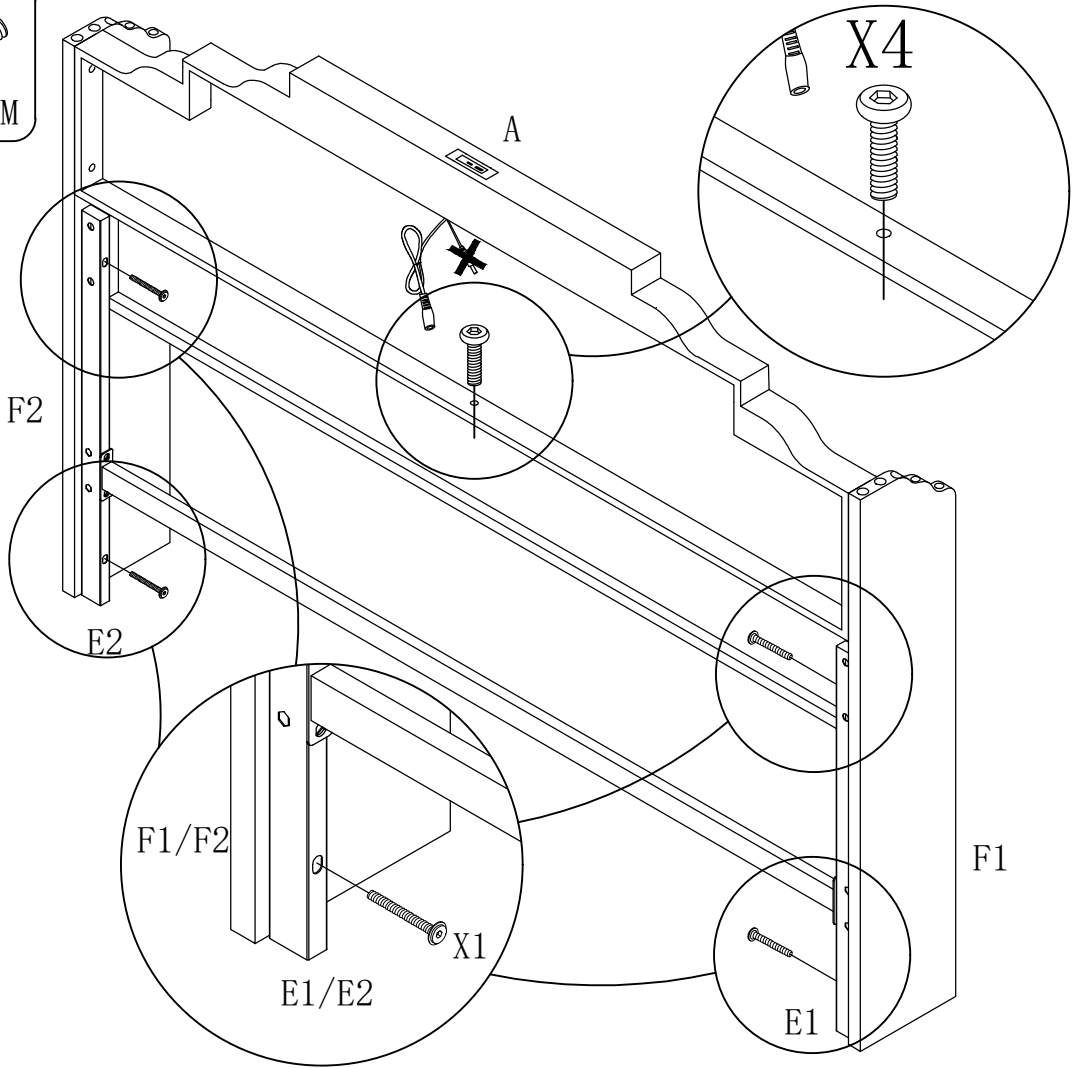
Ø22\*Ø8.5



3

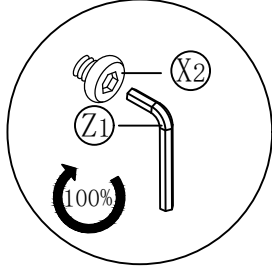
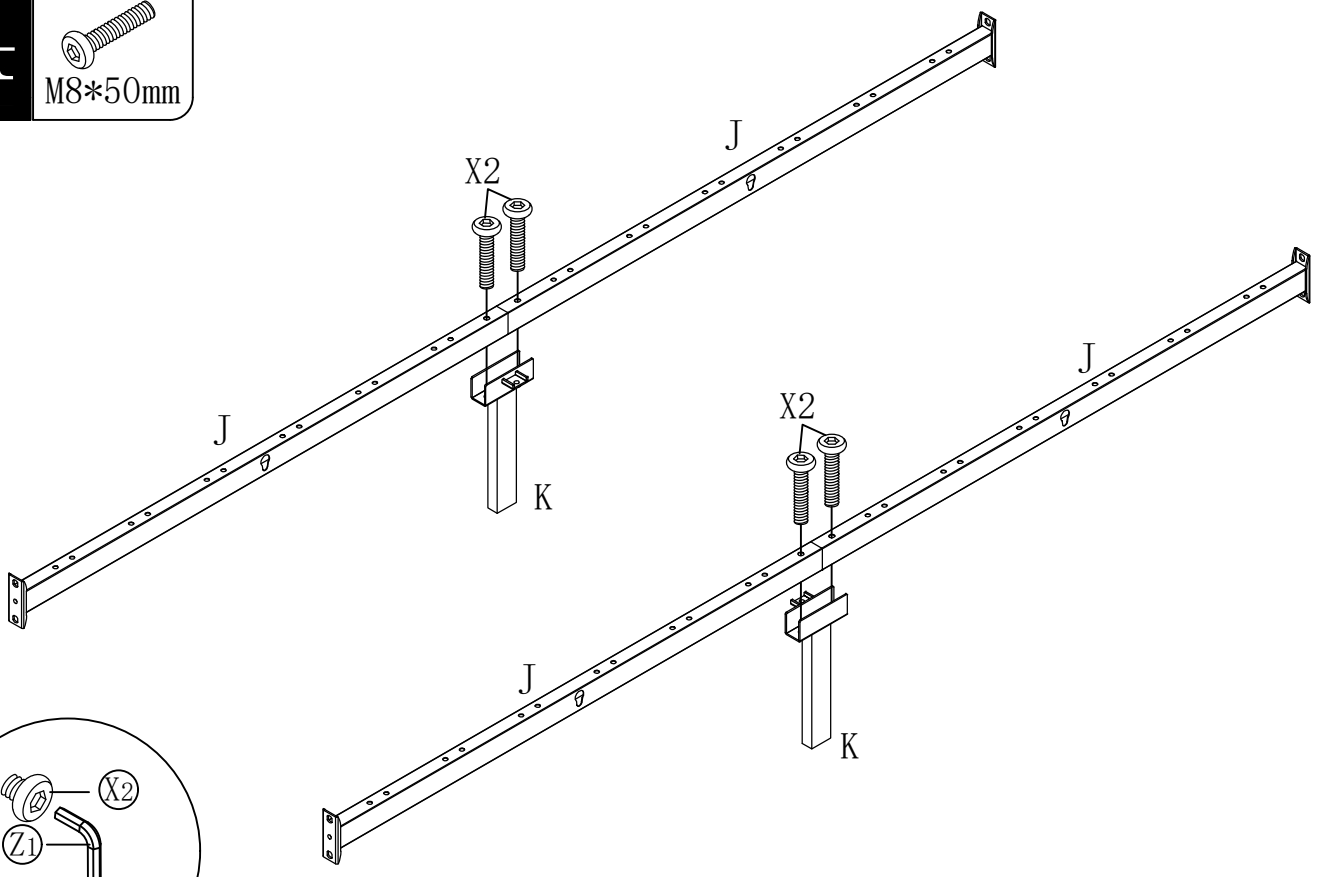
X1\*4  
M8\*65MM

X4\*1  
M8\*40MM

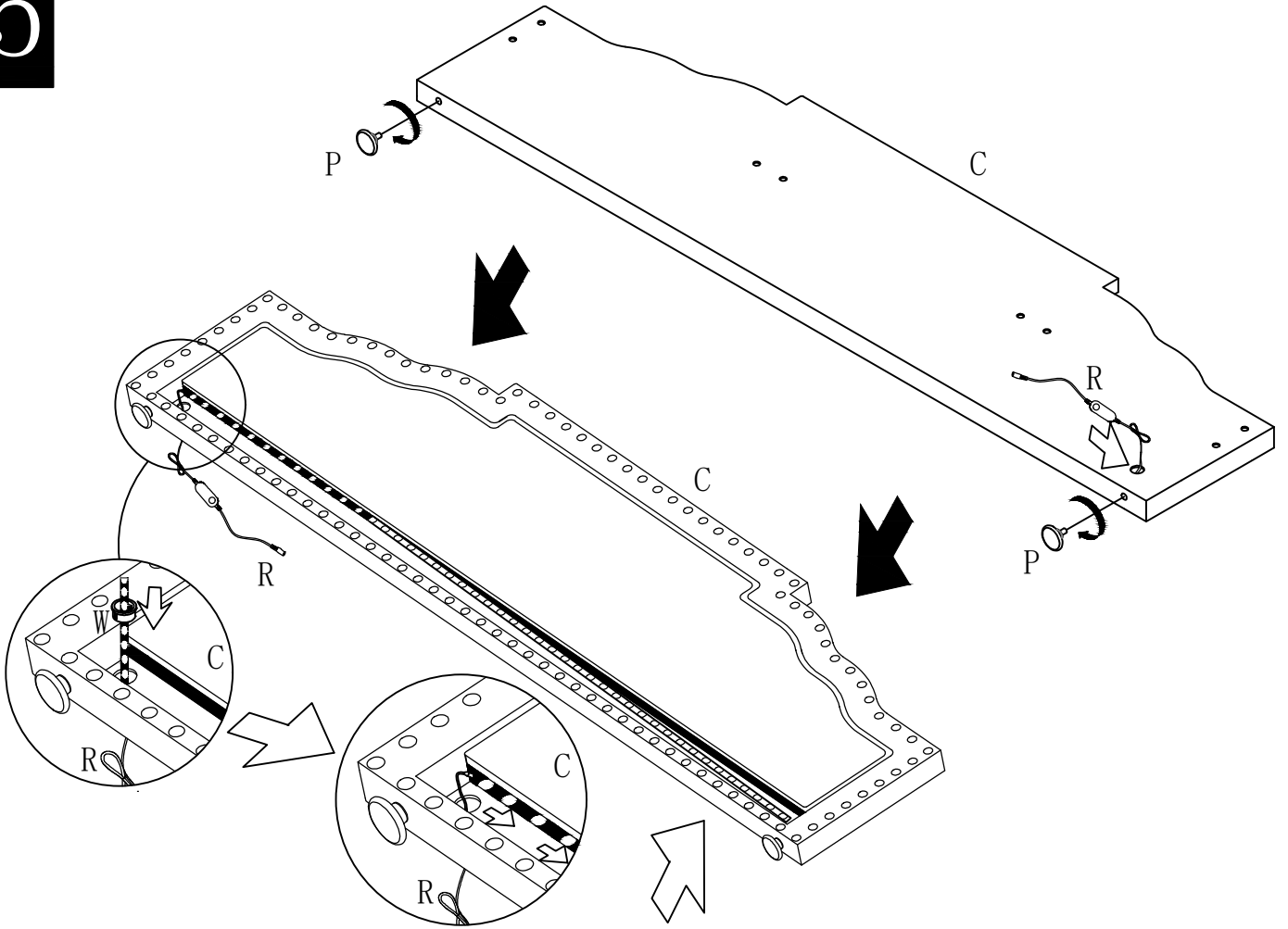


4

X2\*4  
M8\*50mm

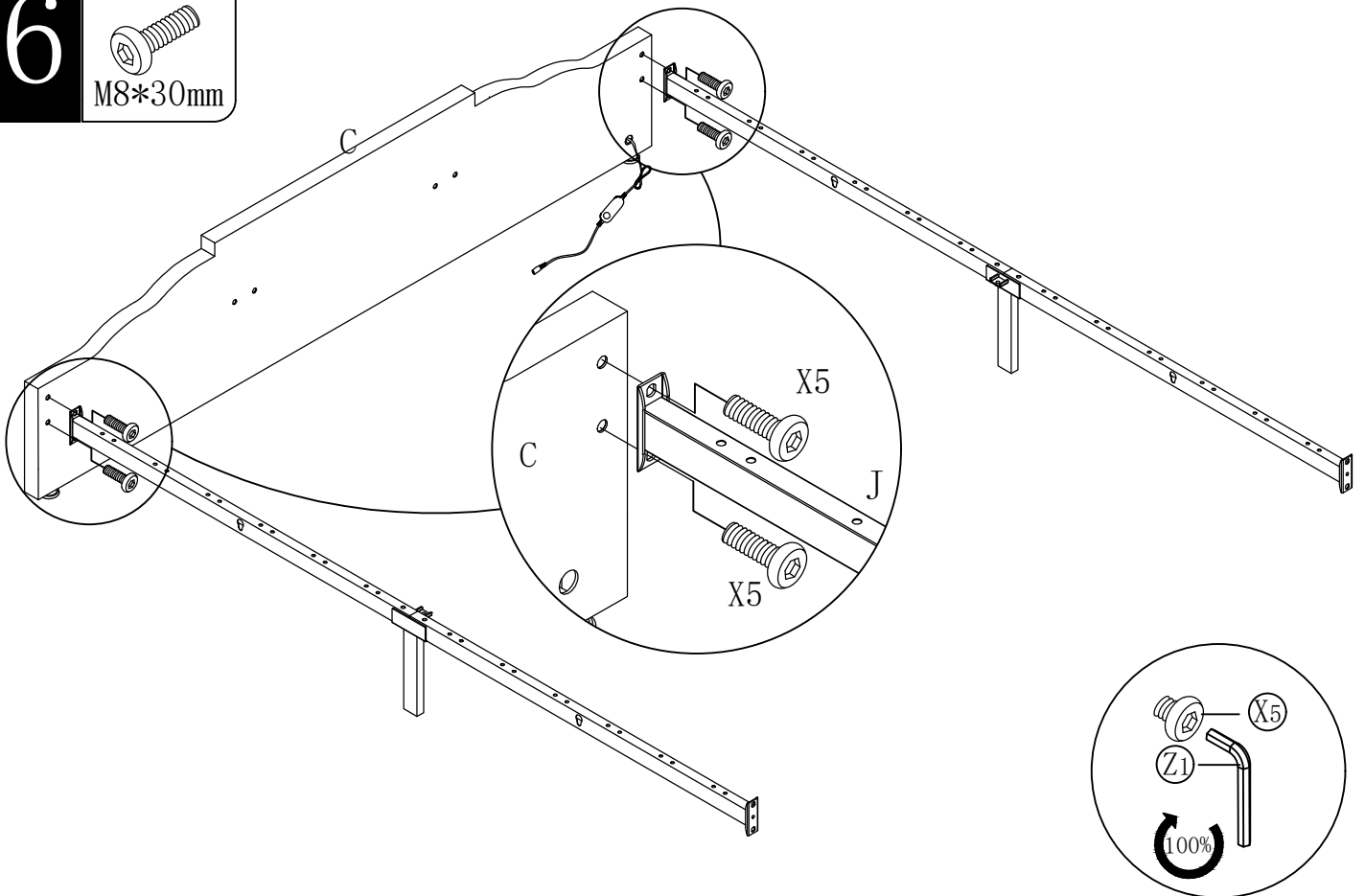


5


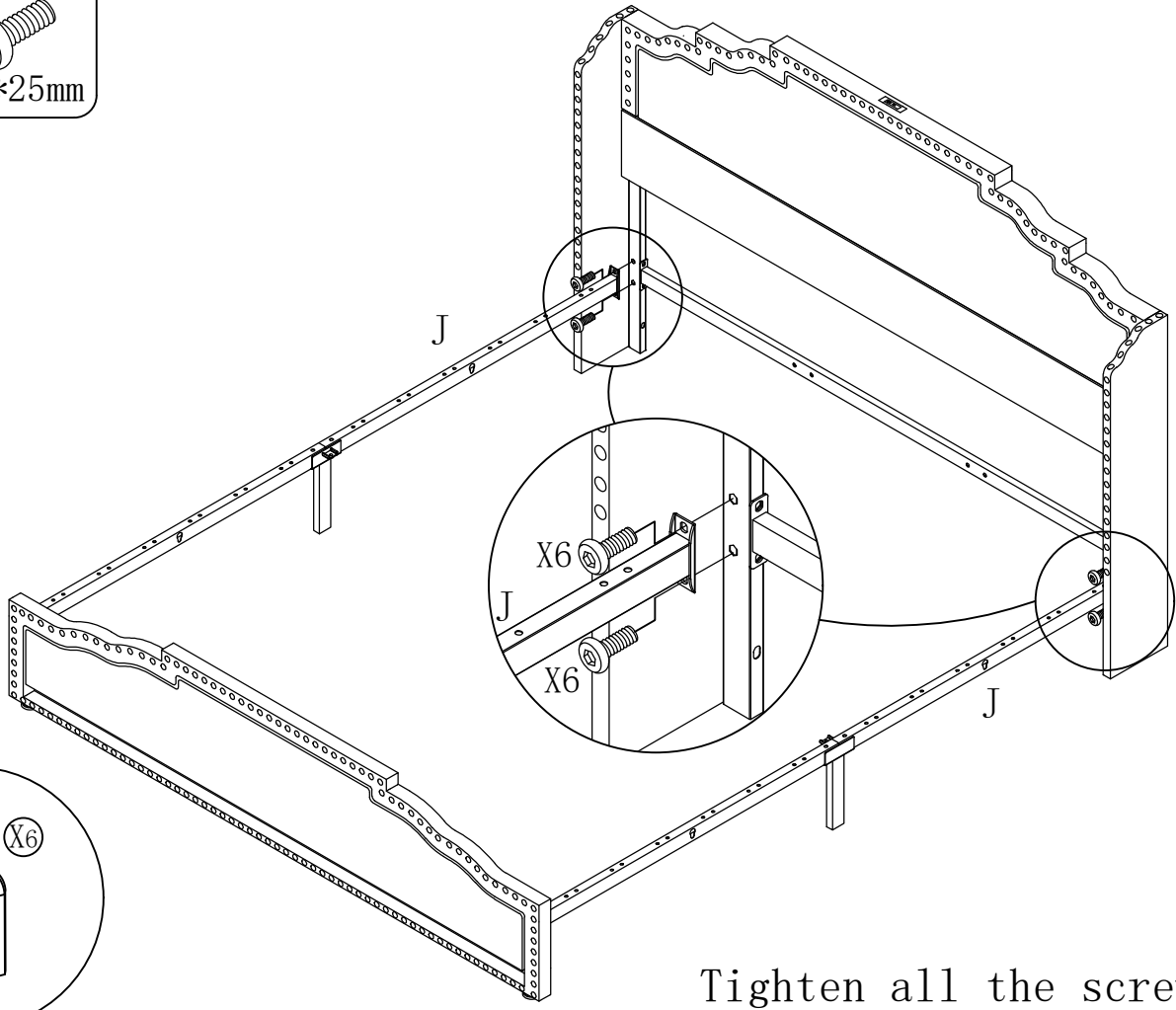


6

X5\*4  
M8\*30mm



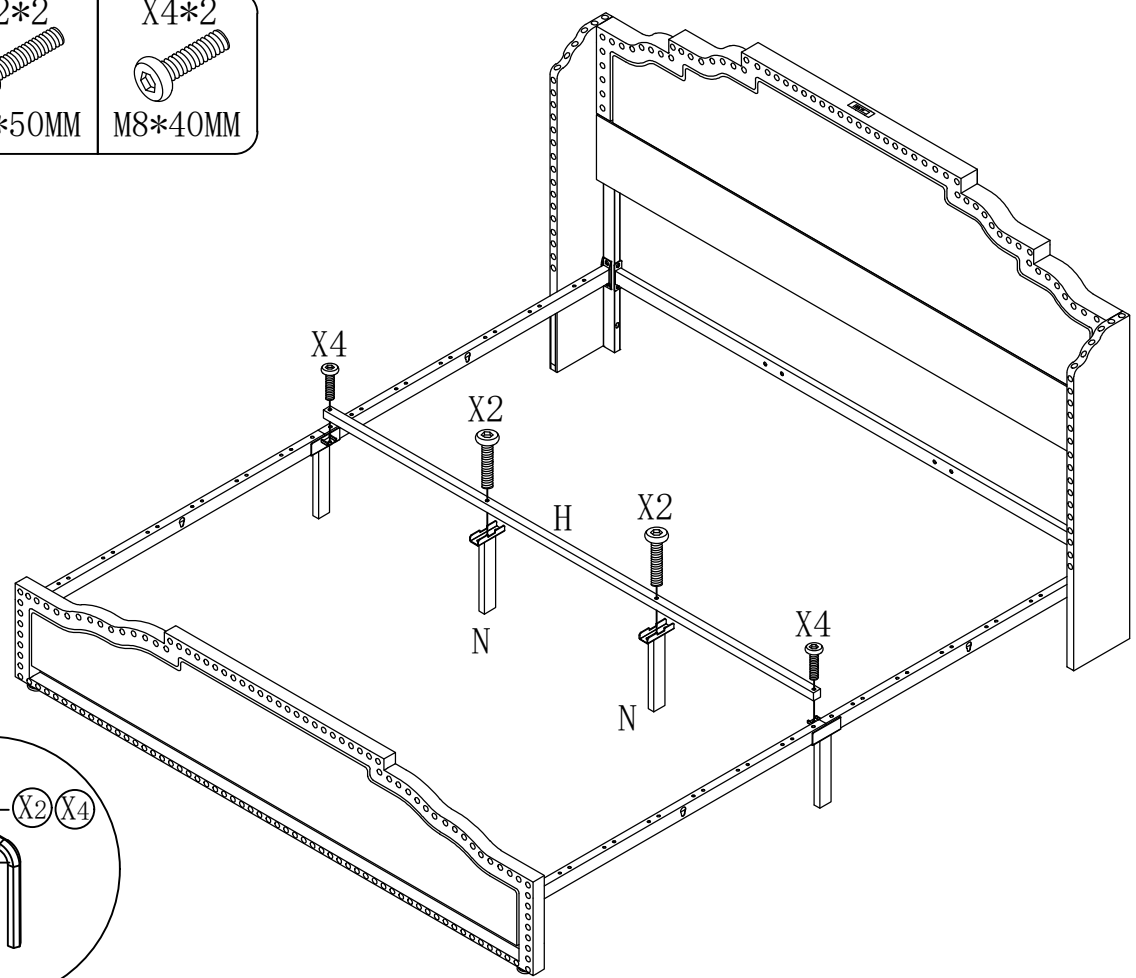


**7** X6\*4  
M8\*25mm

Tighten all the screws

**8** X2\*2 M8\*50MM X4\*2 M8\*40MM

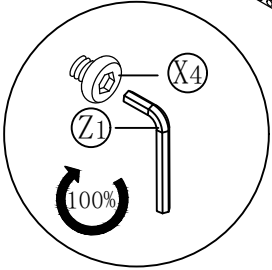
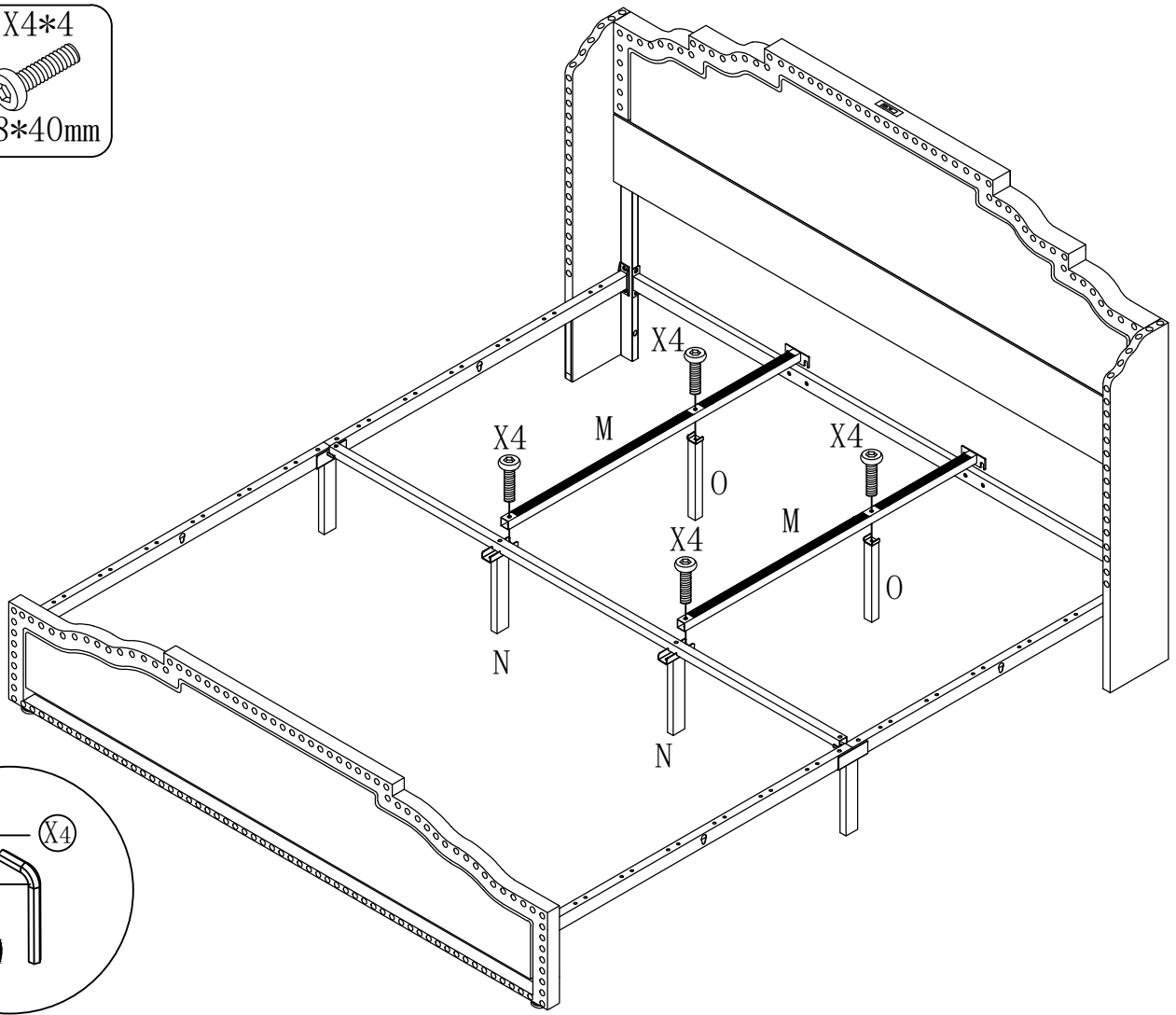




9

X4\*4

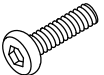


M8\*40mm

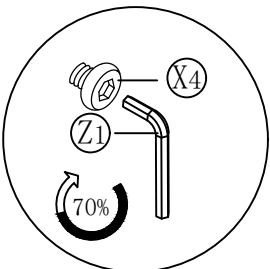
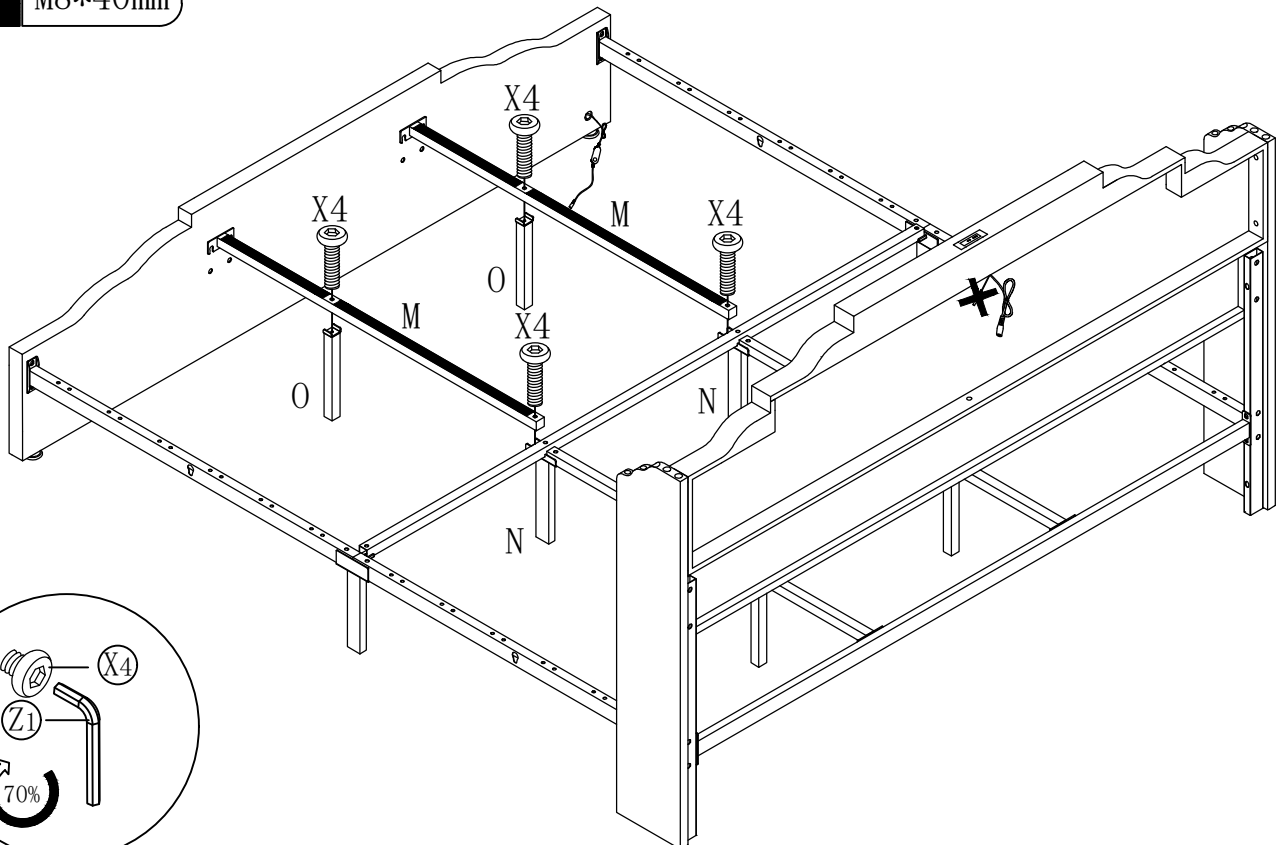



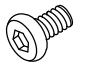
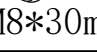
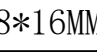
10

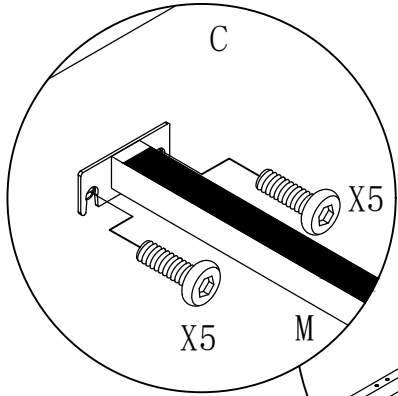
X4\*4



M8\*40mm



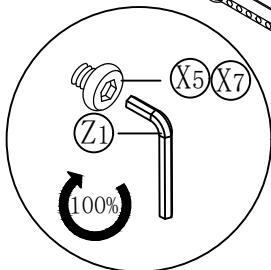
<b>11</b>	X5*4 	X7*4 
	M8*30mm 	M8*16MM 



X5 M

X5

M

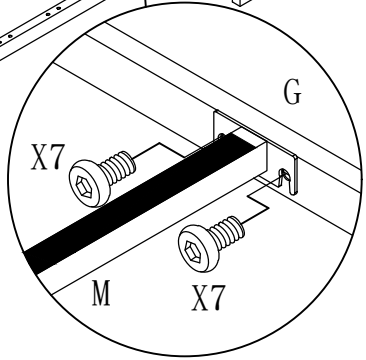


X5 (X7)

Z1



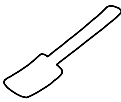
Tighten all the screws

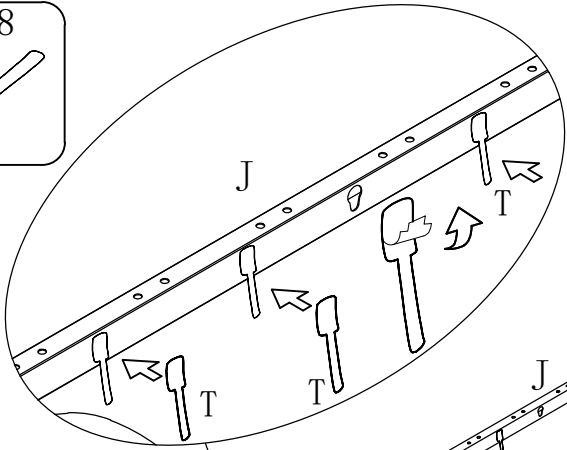


X7

M

X7

<b>12</b>	T*8 
-----------	--

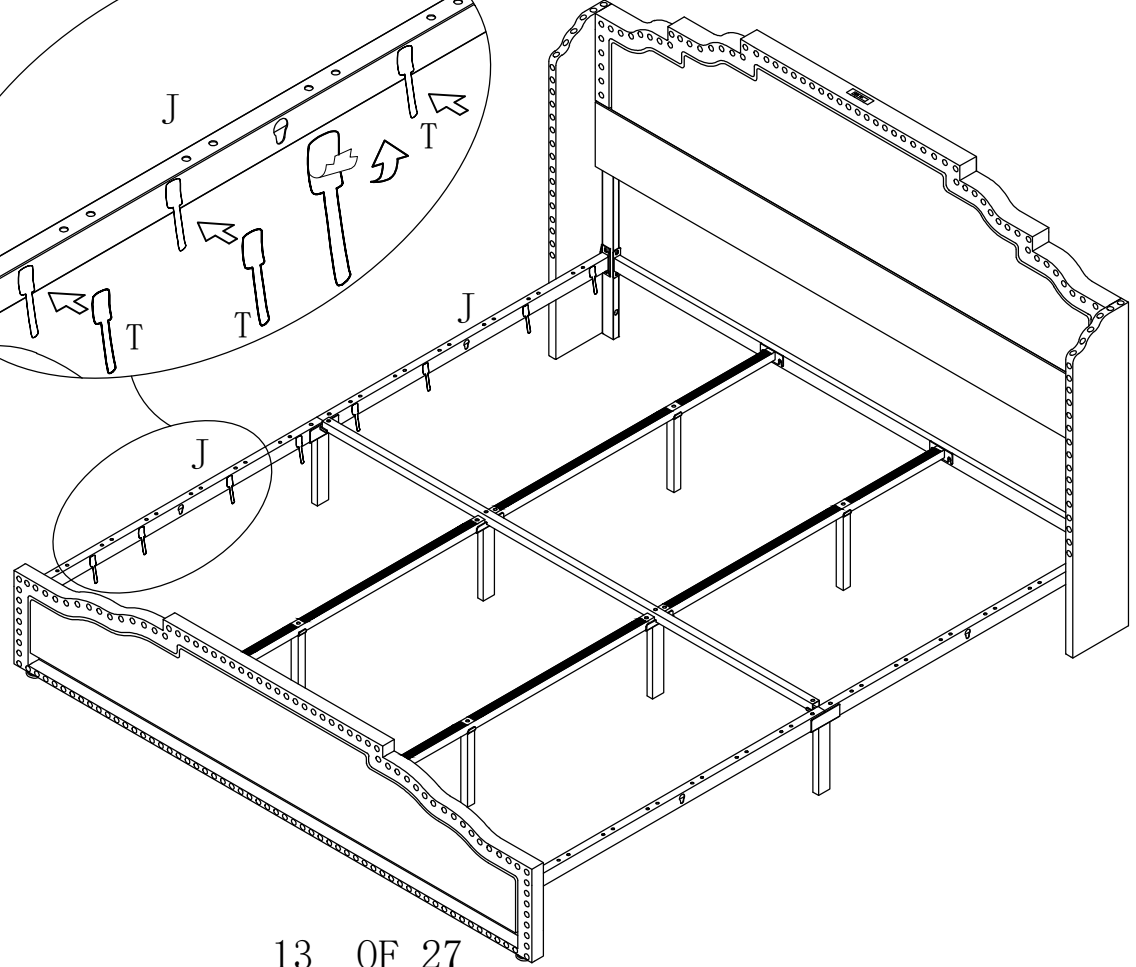


J

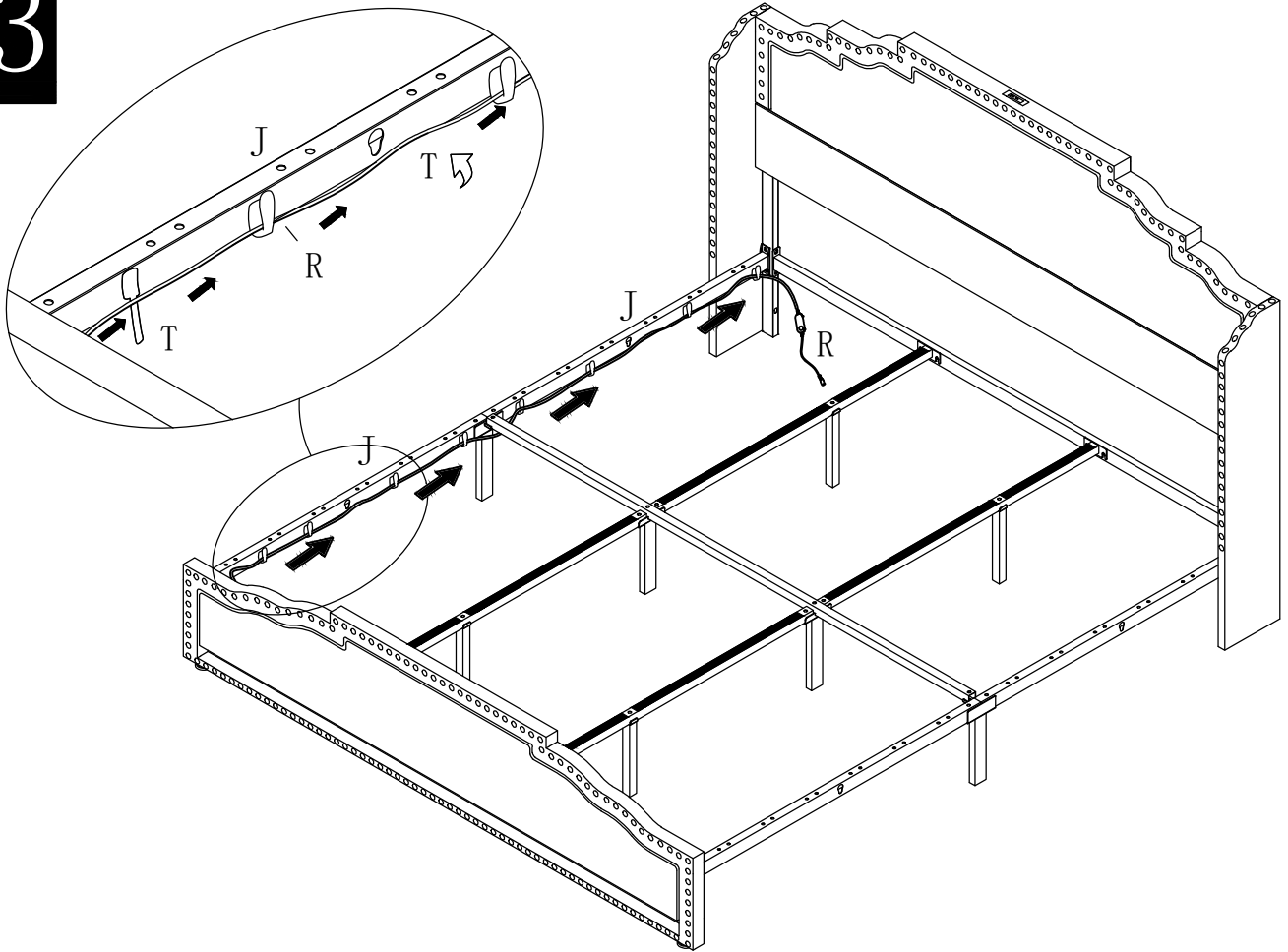
T

T

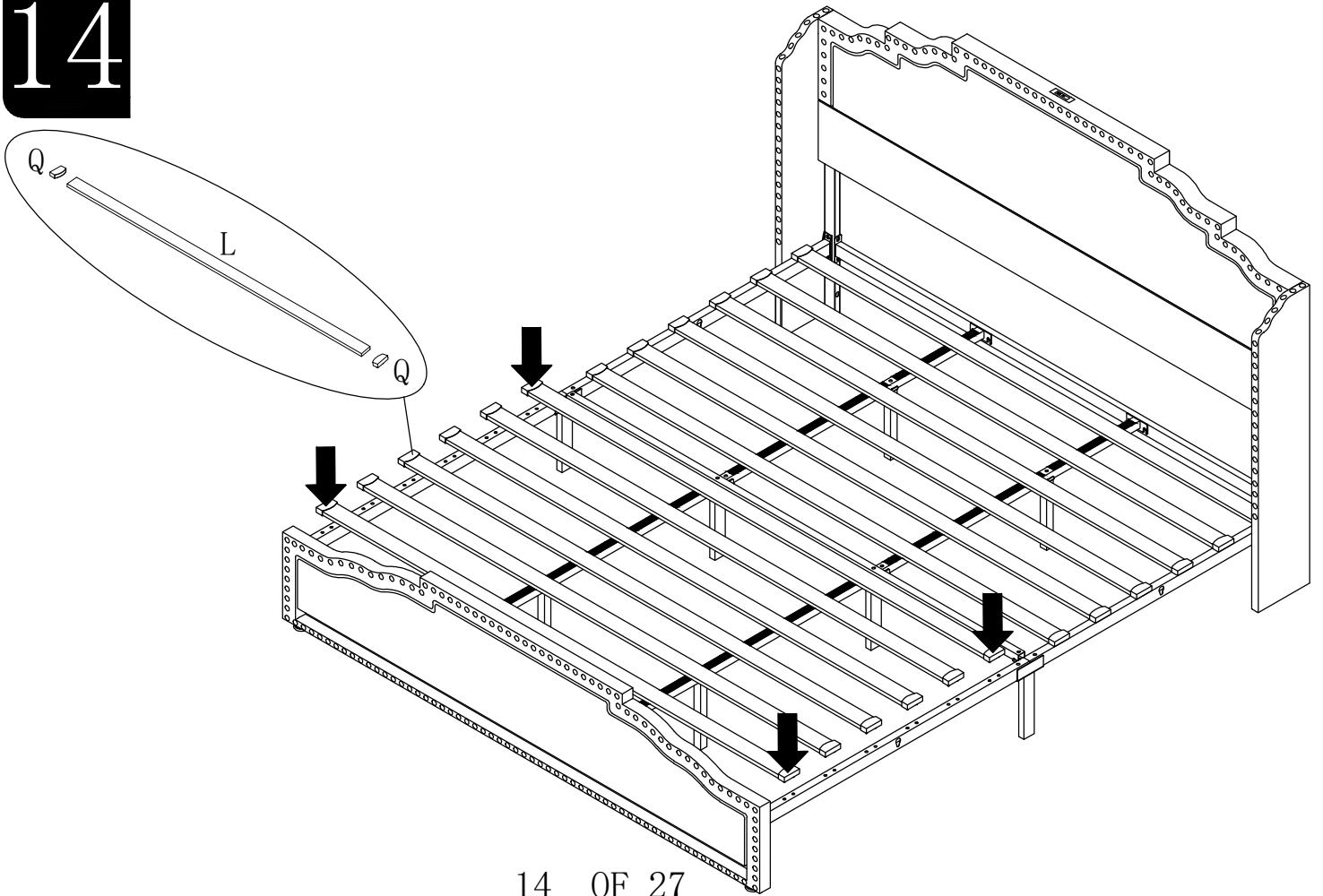
J



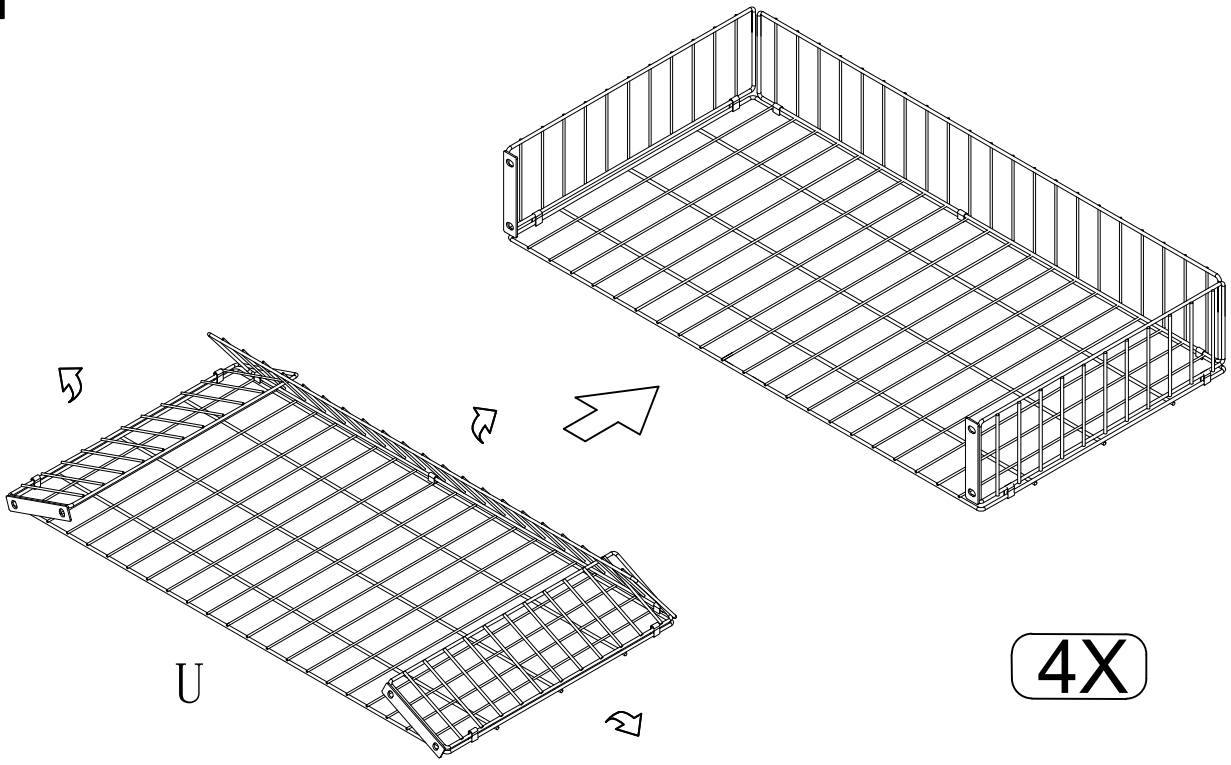
13



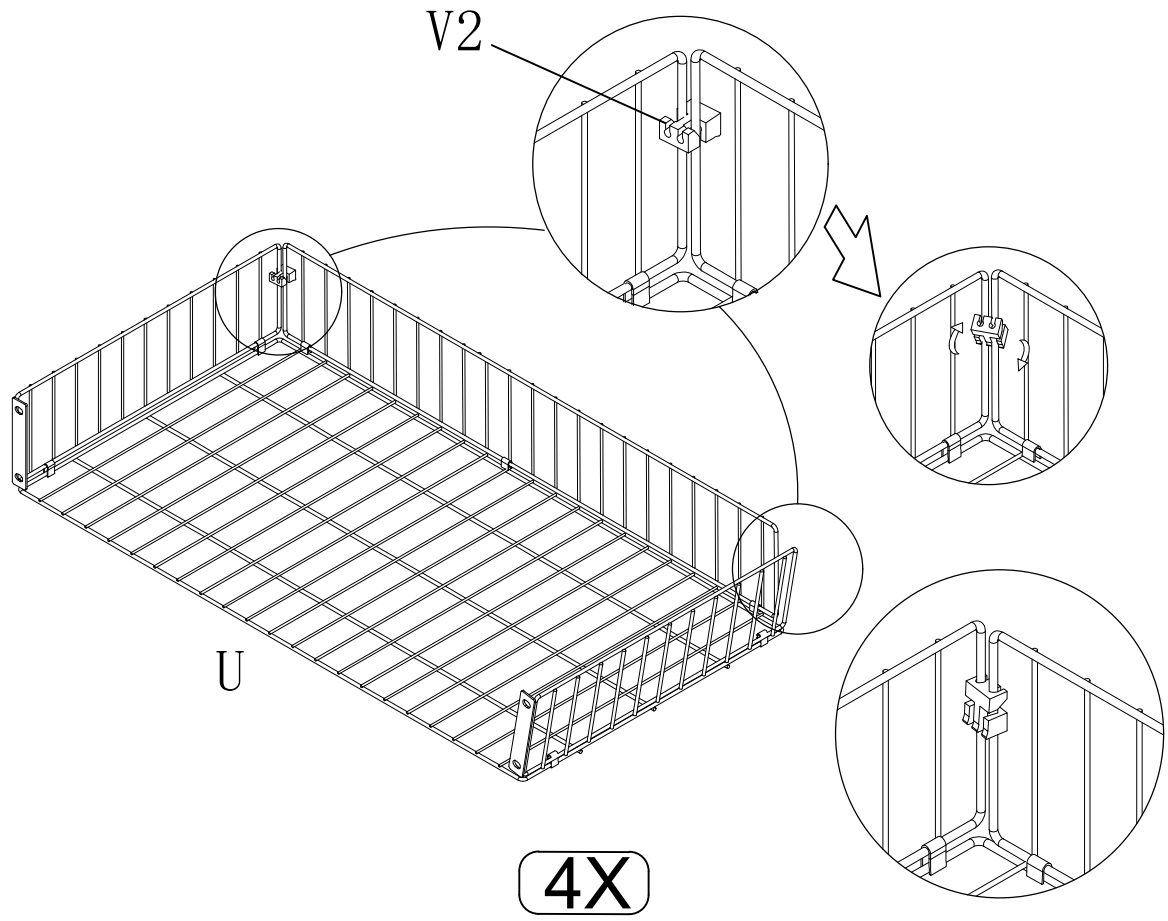
14



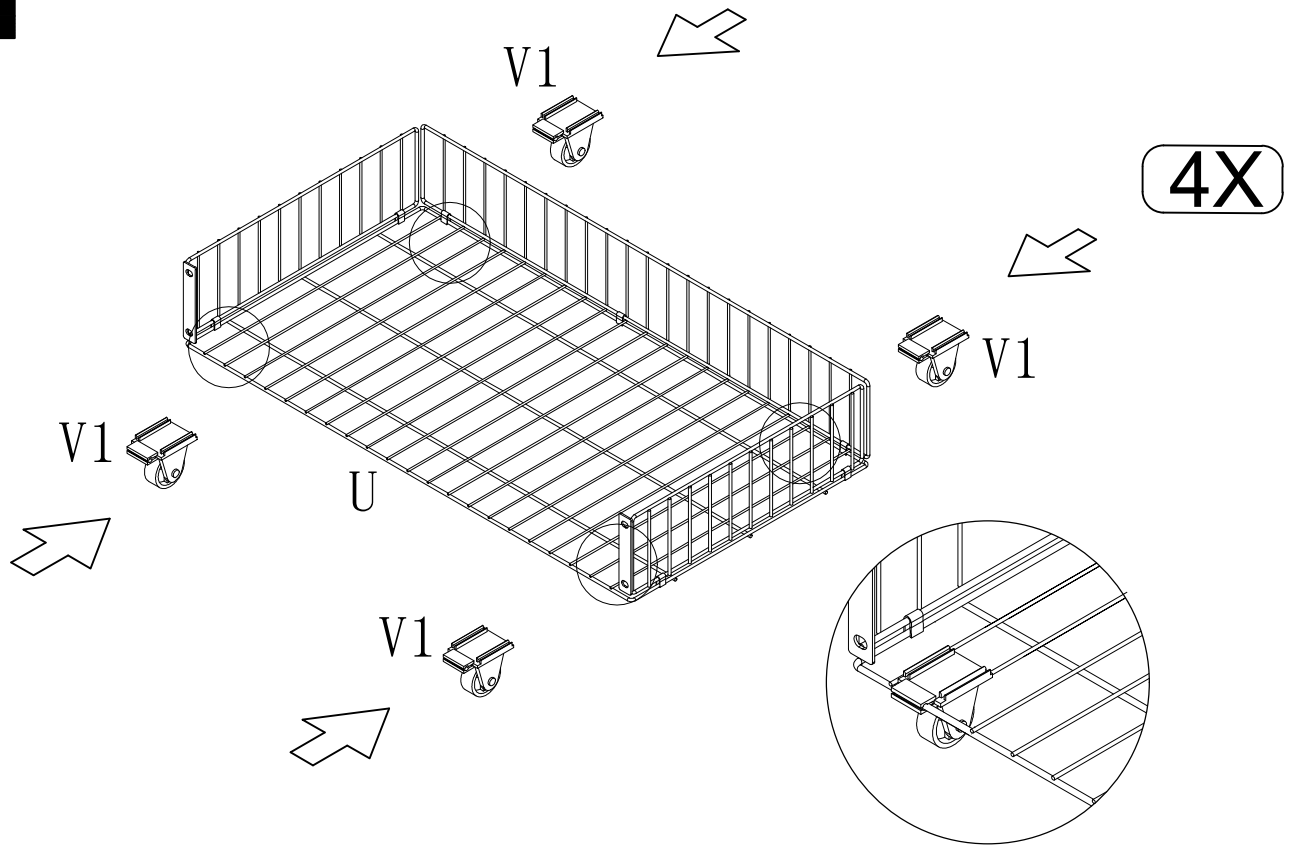
15






16

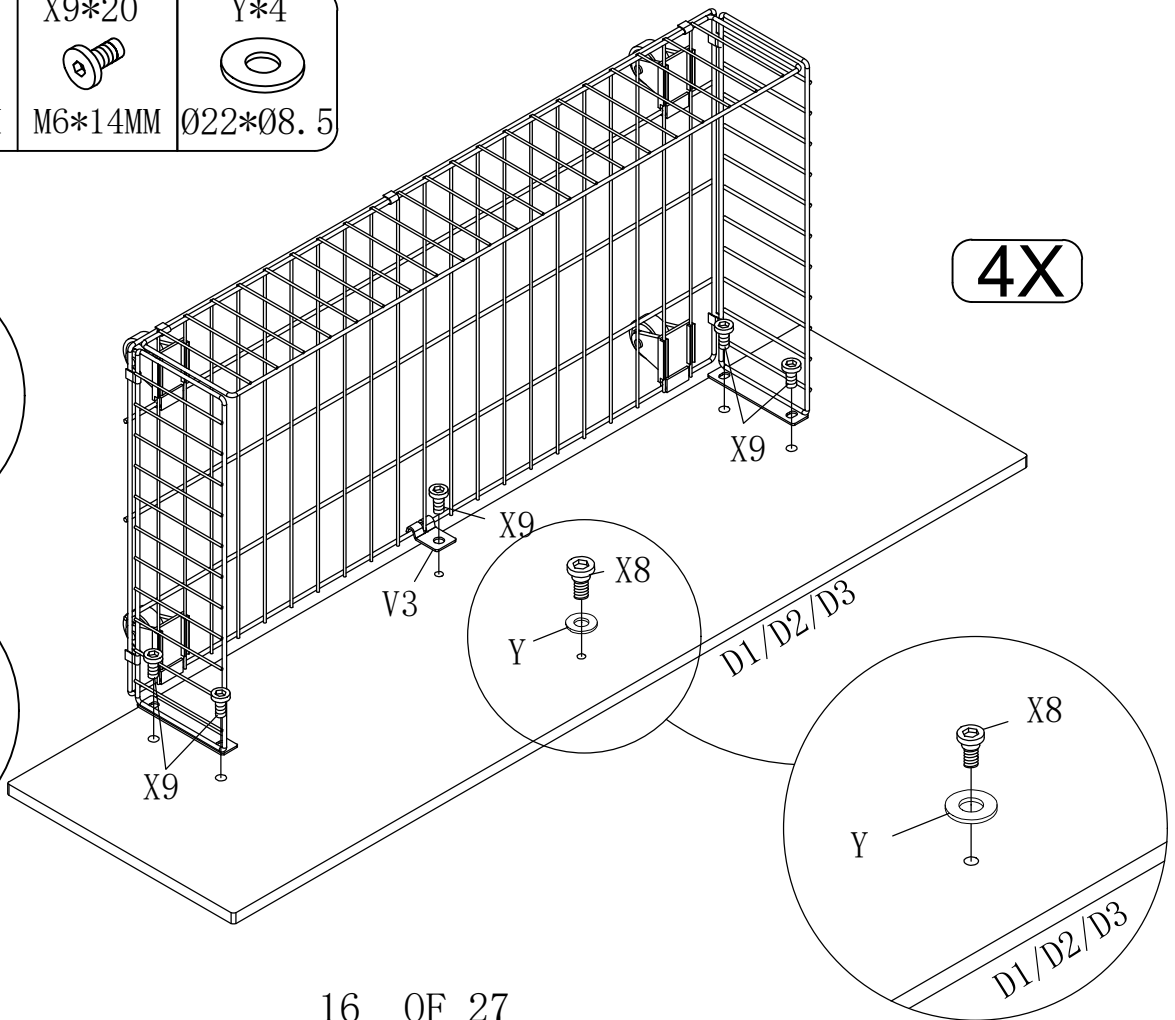
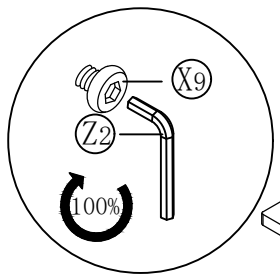
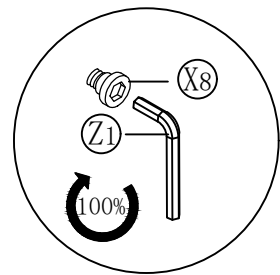


# 17

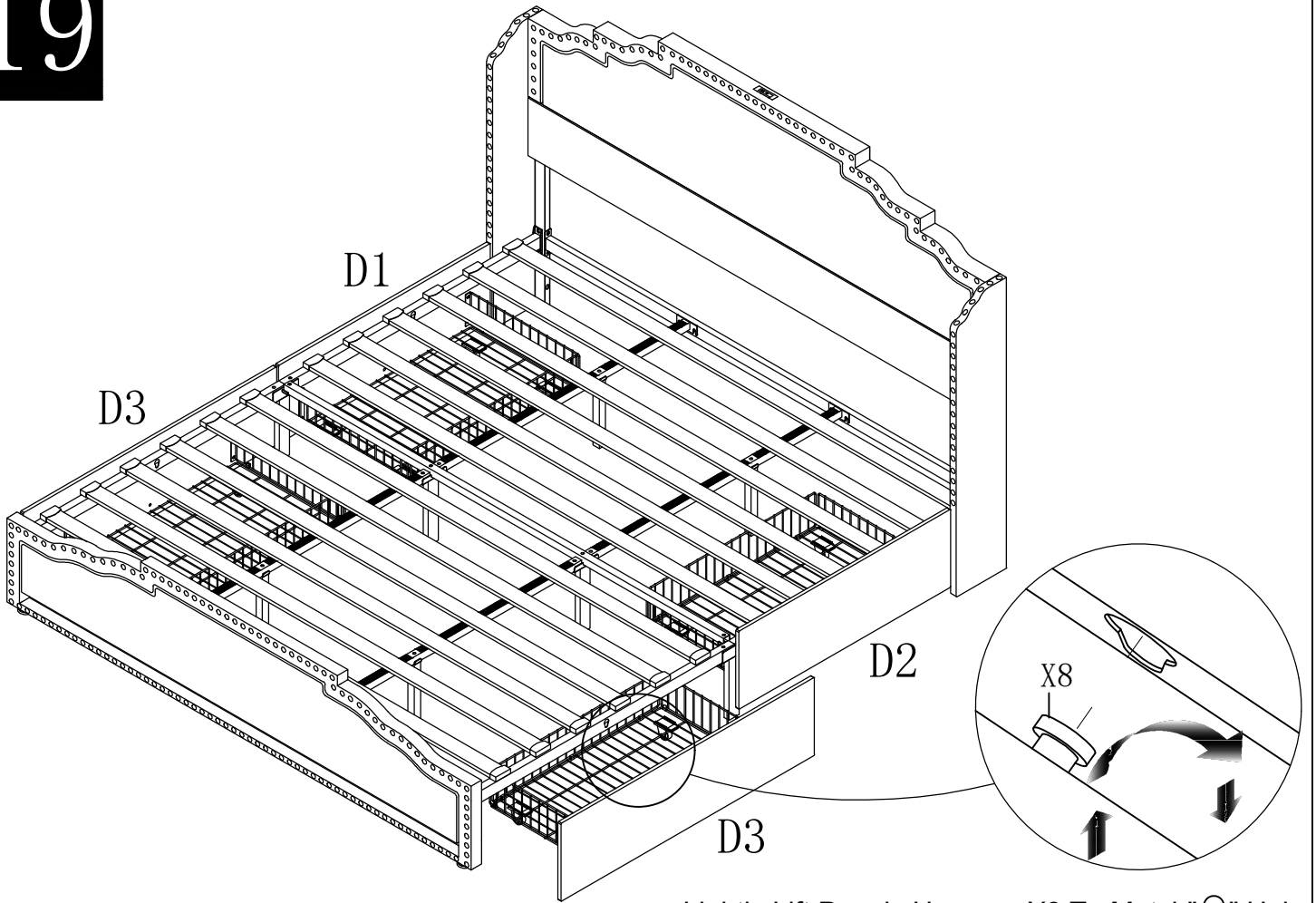


# 18

X8*4  M8*12MM	X9*20  M6*14MM	Y*4  Ø22*Ø8.5
--	---	--

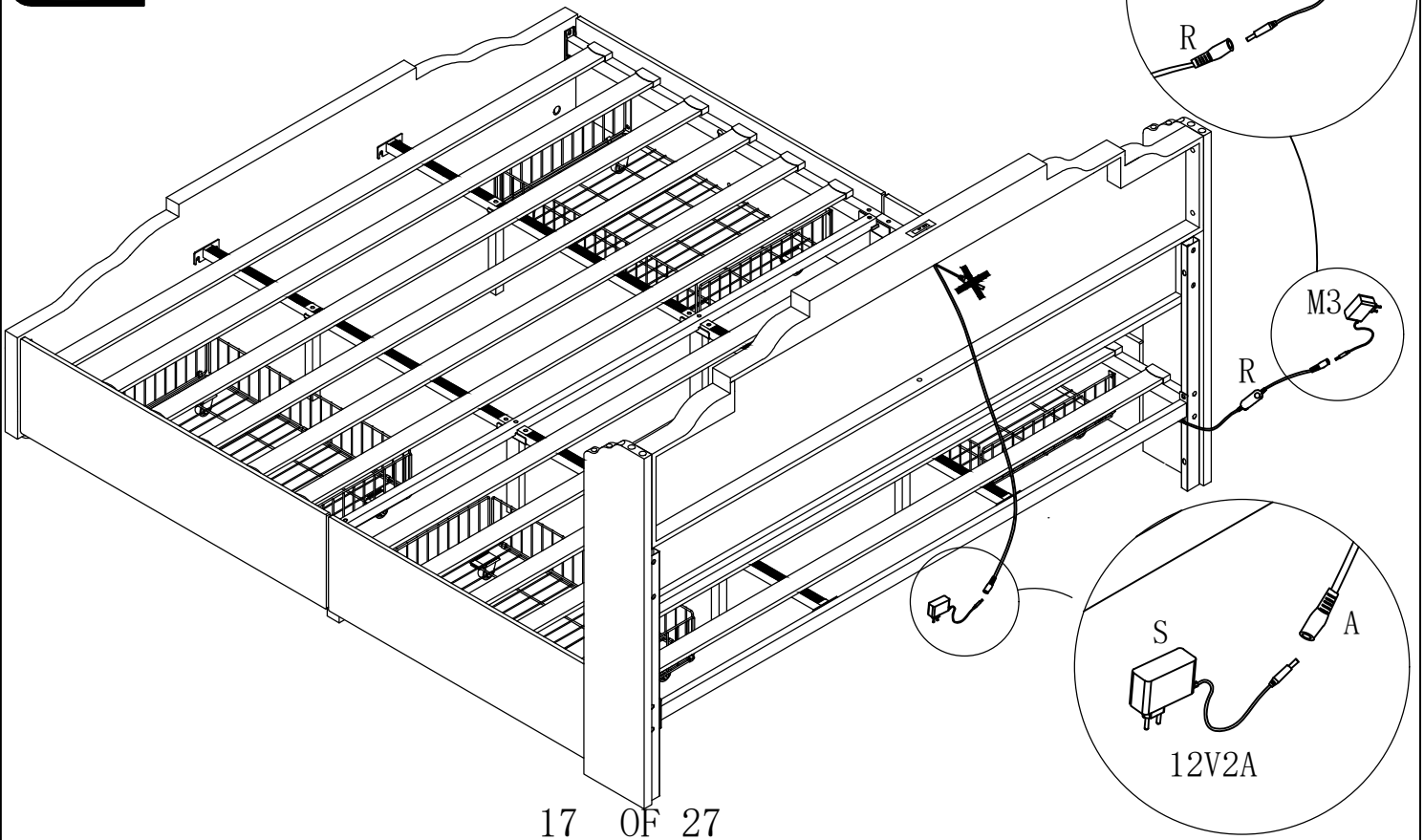


19



Lightly Lift Panel, Hang on X8 To Match "Ⓛ" Hole

20



17 OF 27

- GB** – NOTE: The battery in the remote control requires you to purchase and install it yourself.  
Model: CR2025 3.V
- DE** – HINWEIS: Die Batterie in der Fernbedienung müssen Sie selbst kaufen und installieren  
Modell: CR2025 3.V
- FR** – REMARQUE : la pile de la télécommande doit être achetée et installée par vos soins.  
Modèle : CR2025 3.V
- IT** – NOTA: la batteria del telecomando deve essere acquistata e installata autonomamente.  
Modello: CR2025 3.V
- ES** – NOTA: La pila del mando a distancia debe comprarla e instalarla usted mismo  
Modelo CR2025 3.V

①



②



③



④



⑤



⑥



⑦



⑧



Shenzhen ZKT Technology Co., Ltd.  
 1/F, No. 101, Building B, No. 6, Tangwei Community Industrial Avenue,  
 Fuhai Street, Bao'an District, Shenzhen, China



# Certificate of Compliance

Certificate Number: ZKT-2403202772C

- Certificate's Holder :** Shenzhen Pinchengxin Technology Co., Ltd  
 3rd Floor, 8th Building Yuanling Industrial Zone, No. 39  
 Yuanlingcun Road, Shiyan Street, Bao'an District,  
 Shenzhen
- Manufacturer :** Shenzhen Pinchengxin Technology Co., Ltd  
 3rd Floor, 8th Building Yuanling Industrial Zone, No. 39  
 Yuanlingcun Road, Shiyan Street, Bao'an District,  
 Shenzhen
- Trade Mark :** N/A
- Product :** 5050 RGB LED Strip Lights with Bluetooth App Controller  
 and 2.4G Remote
- Model(s) :** 5050 RGB LED Strip Lights
- Test Standard :**

Art.3.1(a)	Safety	EN IEC 62368-1:2020+A11:2020
Art.3.1(a)	Health	EN IEC 62311:2020 EN 50665:2017
Art.3.1(b)	EMC	ETSI EN 301 489-1 V2.2.3 (2019-11) ETSI EN 301 489-17 V3.2.4 (2020-09)
Art.3.2	Radio	ETSI EN 300 328 V2.2.2 (2019-07)

This Attestation of Compliance is issued on a voluntary basis for electrical equipment below the voltage limits of Radio Equipment Directive (RED) 2014/53/EU. The essential requirements are fulfilled accordingly based on the technical specifications applicable at the time of issuance.



This Certificate of Conformity is based on single evaluation of the submitted sample(s) of the above mentioned product. It does not imply an assessment of the whole product and relevant Directives to be observed.

☎ +86-400 000 9970    ☎ +86-755-22336688    ✉ zkt@zkt-lab.com    🌐 www.zkt-lab.com



# CERTIFICATE OF CONFORMITY

## Electromagnetic Compatibility (EMC) Directive 2014/30/EU

This Certificate of Conformity is hereby issued to the product designated below:

**Certificate No.**..... : 23EP12248E01  
**Report No.**..... : EP2312248E01  
**Date Issue.**..... : 2024-05-08  
**Applicant's name** ..... : Guangdong Sangu Technology Co., Ltd  
**Address** ..... : 402, Chuangye building, 8-28, Shaqi community Central Road, Xinqiao street, Bao'an District, Shenzhen.  
**Manufacturer's name** ..... : Same as applicant  
**Address** ..... : Same as applicant  
**Product Description**..... : POWER ADAPTER  
**Model(s)/Type References** : SG-XXXXXXXX24Z, GAT-XXXXXXXX24Z, SG-XXXXXXXX24LZ, GAT-XXXXXXXX24LZ, SG-XXXXXXXX24BZ, GAT-XXXXXXXX24BZ, SG-XXXXXXXX24AZ, GAT-XXXXXXXX24AZ (for definition of variables XXX, YYYY, Z see table A for details)  
**Parameters**..... : Input: 100-240V~ or 180-240V~, 50/60Hz, 0.6A MAX  
Output: See table B for details  
**Standard(s)** ..... : EN 55032:2015+A11:2020+A1:2020  
EN 55035:2017+A11:2020  
EN IEC 61000-3-2:2019+A1:2021  
EN 61000-3-3:2013+A1:2019+A2:2021

On the basis of the referenced test report(s), sample(s) tested of the above product have been found to comply with the standards harmonized with the directives listed on this verification at the time the tests were carried out. Other standards and Directives may be relevant to the product. This verification is part of the full test report(s) and should be read in conjunction with it(them).

Once compliance with all product relevant CE mark directives are verified, including any relevant e.g. risk assessment and production control, the manufacturer may indicate compliance by signing a Declaration of Conformity themselves and applying the mark to products identical to the tested sample(s).

Approved By



Eric Liu  
Director of engineering department



Dongguan Pubiao Testing Technology Co., Ltd

No. 3, 1/F., Building A, No.30, Minghua Road, Juzhou, Shijie, Dongguan, Guangdong, China

Tel: +86 769 81813516 E-mail: service@pubiaotest.com Web: www.pubiaotest.com



# CERTIFICATE OF CONFORMITY

Electromagnetic Compatibility (EMC) Directive 2014/30/EU

Appendix of Certificate No.: 23EP12248E01

Table A: Definition of variables

Variable	Range of variable	Content
XXX	050-480	3 digit numbers which represents output voltage in V after diving by 10. For example, 050=5.0Vdc, 480=48.0Vdc. The rated output voltage is rising in steps of 0.1V
YYYY	0100-3000	4 digit numbers which represents output current in A after diving by 100. For example, 0100=0.1A, 3000=3.0A. The rated output current is rising in steps of 0.01A
Z	E, B	One capital letter representing the plug type for different countries: *E* denotes European plug; *B* denotes Britain plug.

Table B: Model list and output rating

Model	Output voltage (Vdc)	Output current (A)	Max Power (W)	Transformer
SG-XXXYYYY24Z	5.0	0.1-3.0	15.0	EE17
GAT-XXXYYYY24Z	5.1-5.5	0.1-3.0	16.5	
SG-XXXYYYY24LZ	5.6-6.0	0.1-2.9	16.5	
GAT-XXXYYYY24LZ	6.1-7.4	0.1-2.5	18.5	
SG-XXXYYYY24BZ	7.5-9.0	0.1-2.2	19.8	
GAT-XXXYYYY24BZ	9.1-12.0	0.1-2.0	24.0	
SG-XXXYYYY24AZ	12.1-24.0	0.1-1.98	24.0	
GAT-XXXYYYY24AZ	24.1-48.0	0.1-1.0	24.0	EE17-1
				EE17-2

Remark:

- 1) The rated output voltage is rising from 5.0V and in steps of 0.1V.
- 2) The rated output current is rising from 0.1A and in steps of 0.01A, but not more than the indicated max o/p current.
- 3) Actual output current depends on range of output voltage. The max. Output current multiplied by output voltage cannot exceed the max. Output power.



Dongguan Pubiao Testing Technology Co., Ltd

No. 3, 1/F., Building A, No.30, Minghua Road, Juzhou, Shijie, Dongguan, Guangdong, China

Tel: +86 769 81813516 E-mail: service@pubiaotest.com Web: www.pubiaotest.com



# CERTIFICATE OF CONFORMITY

Low Voltage Directive 2014/35/EU

This Certificate of Conformity is hereby issued to the product designated below:

**Certificate No.**..... : 23SP12248L01  
**Report No.**..... : SP2312248L01  
**Date Issue.** ..... : 2024-04-29  
**Applicant's name** ..... : Guangdong Sangu Technology Co., Ltd  
**Address** ..... : 402, Chuangye building, 8-28, Shaqi community Central Road, Xinqiao street, Bao'an District, Shenzhen.  
**Manufacturer's name** ..... : Guangdong Sangu Technology Co., Ltd  
**Address** ..... : 402, Chuangye building, 8-28, Shaqi community Central Road, Xinqiao street, Bao'an District, Shenzhen.  
**Product Description**..... : POWER ADAPTER  
**Model(s)/Type References** : SG-XXXYYYY24Z, GAT-XXXYYYY24Z, SG-XXXYYYY24LZ, GAT-XXXYYYY24LZ, SG-XXXYYYY24BZ, GAT-XXXYYYY24BZ, SG-XXXYYYY24AZ, GAT-XXXYYYY24AZ (for definition of variables XXX, YYYY, Z see table A for details)  
**Parameters**..... : Input: 100-240V~ or 180-240V~, 50/60Hz, 0.6A MAX  
Output: See table B for details  
**Standard(s)** ..... : EN IEC 62368-1:2020/A11:2020

On the basis of the referenced test report(s), sample(s) tested of the above product have been found to comply with the standards harmonized with the directives listed on this verification at the time the tests were carried out. Other standards and Directives may be relevant to the product. This verification is part of the full test report(s) and should be read in conjunction with it(them).

Once compliance with all product relevant CE mark directives are verified, including any relevant e.g. risk assessment and production control, the manufacturer may indicate compliance by signing a Declaration of Conformity themselves and applying the mark to products identical to the tested sample(s).

Approved By

Eric Liu  
Director of engineering department



Dongguan Pubiao Testing Technology Co., Ltd  
No. 3, 1/F., Building A, No 30, Minghua Road, Juzhou, Shijie, Dongguan, Guangdong, China.  
Tel: +86 769 81813516 E-mail: service@pubiaotest.com Web: www.pubiaotest.com



# CERTIFICATE OF CONFORMITY

Low Voltage Directive 2014/35/EU

Appendix of Certificate No.: 23SP12248L01

## Model Description:

Table A: Definition of variables

Variable	Range of variable	Content
XXX	050-480	3 digit numbers which represents output voltage in V after diving by 10. For example, 050=5.0Vdc, 480=48.0Vdc. The rated output voltage is rising in steps of 0.1V
YYYY	0100-3000	4 digit numbers which represents output current in A after diving by 100. For example, 0100=0.1A, 3000=3.0A. The rated output current is rising in steps of 0.01A
Z	E, B	One capital letter representing the plug type for different countries: "E" denotes European plug; "B" denotes Britain plug.

Table B: Model list and output rating

Model	Output voltage (Vdc)	Output current (A)	Max Power (W)	Transformer
SG-XXXYYYY24Z	5.0	0.1-3.0	15.0	EE17
GAT-XXXYYYY24Z	5.1-5.5	0.1-3.0	16.5	
SG-XXXYYYY24LZ	5.6-6.0	0.1-2.9	16.5	
GAT-XXXYYYY24LZ	6.1-7.4	0.1-2.5	18.5	
SG-XXXYYYY24BZ	7.5-9.0	0.1-2.2	19.8	
GAT-XXXYYYY24BZ	9.1-12.0	0.1-2.0	24.0	
SG-XXXYYYY24AZ	12.1-24.0	0.1-1.98	24.0	
GAT-XXXYYYY24AZ	24.1-48.0	0.1-1.0	24.0	



Dongguan Pubiao Testing Technology Co., Ltd  
No. 3, 1/F, Building A, No.30, Minghua Road, Juzhou, Shjie, Dongguan, Guangdong, China  
Tel: +86 769 81813516 E-mail: service@pubiaotest.com Web: www.pubiaotest.com



KeySense Testing & Certification International Co., Ltd.  
 1-3F, Lab Building, No.29 District, Zhongkai Hi-Tech  
 Industrial Development Park, Huizhou, Guangdong,  
 China

Tel:0752-3219929  
 Fax:0752-3219929  
<http://www.kst-cert.com>

# Technical Compliance Statement

Certificate No.: KST240304L008Q01

Report No.: KST240304L008Q01

The following product has been tested by us with the listed standards and found in Compliance with the council LVD directive 2014/35/EU. It is demonstrative for the Compliance with this LVD Directive.

**Holder:** DONGGUAN BAIYOU ELECTRONIC CO LTD  
**Address:** 2F A Building, Wufeng Industrial, Jintan Road, Danwu Shijie Town, Dongguan, Guangdong  
**Product:** USB CHARGER  
**Model Name:** BY213-TD04-C  
**Trade Name:** N/A

Test Standard	
EN 62368-1:2014+A11:2017	Audio/video, information and communication technology equipment Part 1: safety requirements



Signature:

Name:

Tony Xu

Position:

General Manager

Date:

Apr. 26, 2024



The statement is based on single evaluation of one sample of above mentioned product. It does not imply an assessment of the whole production and does not permit the use of the test lab. Logo.



# CERTIFICATE

No. Z1A 103501 0120 Rev. 00

**Holder of Certificate:** **Shenzhen Jiuzhou Power Technology Co., Ltd.**  
 4/F First Block, Jinmeiwei First Industrial Park  
 West of Xingye Road, Heyi  
 Shajing Town, Baoan District  
 518104 Shenzhen, Guangdong  
 PEOPLE'S REPUBLIC OF CHINA

**Certification Mark:**



**Product:** **Adaptors  
(AC/DC ADAPTER)**

**Tested according to:** EN 62368-1:2014/A11:2017  
 EN IEC 61558-1:2019  
 EN 61558-2-16:2009/A1:2013  
 EK1 557-13  
 AfPS GS 2019:01 PAK

With this certificate, in its capacity as a notified GS body, TÜV SÜD Product Service GmbH issues the GS Mark to the named certificate holder for the declared product with the named model designation in accordance with section 20 ProdSG (German Product Safety Act). The product meets the safety and health requirements of section 20 (3) ProdSG. The manufacturer is reminded of their obligations in accordance with section 24 ProdSG. The certification marks shown above can be affixed on the product. It is not permitted to alter the certification marks in any way. In addition, the certificate holder must not transfer the certificate to third parties. This certificate is valid until the listed date, unless it is cancelled earlier. All applicable requirements of the testing and certification regulations of TÜV SÜD Group have to be complied. For details see: [www.tuvsud.com/ps-cert](http://www.tuvsud.com/ps-cert)

**Test report no.:** 652102123901

**Valid until:** 2027-06-20

**Date,** 2022-06-21

( Ricky Wang )



Product Service

ZERTIFIKAT ◆ CERTIFICATE ◆ CERTIFICADO ◆ CERTIFIKAT ◆ 認證證書 ◆ CERTIFICATE ◆ ZERTIFIKAT

# CERTIFICATE

No. Z1A 103501 0120 Rev. 00

**Model(s):**

J121-xxxxxyyywX, J061-xxxxxyyywX,  
 J121-050yyyywU, J061-050yyyywU,  
 J121L-xxxxxyyyIX, J061L-xxxxxyyyIX,  
 J121L-050yyyyIU, J061L-050yyyyIU,  
 J121L-xxxxxyyyEX, J061L-xxxxxyyyEX,  
 J121L-050yyyyEU, J061L-050yyyyEU  
 (xxx=045-300, stand for rated output voltage from 4.5VDC to 30.0VDC; yyy=0001-2100, stand for rated output current from 0.001A to 2.1A; w=E or B, represent for different mains plug, E means European plug; B means British plug).  
 J150-xxxxxyyyEX, J150-050yyyyEU,  
 J012-xxxxxyyyEX, J012-050yyyyEU,  
 J180-xxxxxyyywX, J151-xxxxxyyywX,  
 J180-050yyyywU, J151-050yyyywU,  
 J180-xxxxxyyyIX, J151-xxxxxyyyIX,  
 J180-050yyyyIU, J151-050yyyyIU,  
 J180A-xxxxxyyywX, J151A-xxxxxyyywX,  
 J180A-050yyyywU, J151A-050yyyywU,  
 J180A-xxxxxyyyIX, J151A-xxxxxyyyIX,  
 J180A-050yyyyIU, J151A-050yyyyIU,  
 J180C-xxxxxyyywX  
 (xxx=045-300, stand for rated output voltage from 4.5VDC to 30.0VDC; yyy=0010-3000, stand for rated output current from 0.01A to 3.0A; w=E or B, represent for different mains plug, E means European plug; B means British plug).

**Brand Name:**

rniao



**Parameters:**

Rated Input: 100-240VAC, 50/60Hz, 0.6A  
 Rated Output: See below table for details  
 Protection Class: II  
 Degree of Protection: IP20



Product Service

# CERTIFICATE

No. Z1A 103501 0120 Rev. 00

ZERTIFIKAT ◆ CERTIFICATE ◆ 認證證書 ◆ CERTIFICADO ◆ CERTIFICAT

Model	Rated output voltage (VDC)	Rated output current (A)	Max. rated output power (W)
J121-xxxxxyywwX, J061-xxxxxyywwX, J121L-xxxxxyyylX, J061L-xxxxxyyylX, J121L-xxxxxyyyEX, J061L-xxxxxyyyEX	4.5-8.9	0.001-2.1	10.5
	9.0-16.0	0.001-1.33	12.0
	16.1-30.0	0.001-0.745	12.0
J121-050yyyyyU, J061-050yyyyyU, J121L-050yyyyyIU, J061L-050yyyyyIU, J121L-050yyyyyEU, J061L-050yyyyyEU	5.0	0.001-2.1	10.5

Model	Rated output voltage (VDC)	Rated output current (A)	Max. rated output power (W)
J150-xxxxxyyyEX, J012-xxxxxyyyEX, J180-xxxxxyywwX, J151-xxxxxyywwX, J180-xxxxxyyylX, J151-xxxxxyyylX, J180A-xxxxxyywwX, J151A-xxxxxyywwX, J180A-xxxxxyyylX, J151A-xxxxxyyylX, J180C-xxxxxyywwX	4.5-8.9	0.01-3.0	15.0
	9.0-16.0	0.01-2.0	18.0
	16.1-30.0	0.01-1.12	18.0
J150-050yyyyyEU, J012-050yyyyyEU, J180-050yyyyyU, J151-050yyyyyU, J180-050yyyyyIU, J151-050yyyyyIU, J180A-050yyyyyU, J151A-050yyyyyU, J180A-050yyyyyIU, J151A-050yyyyyIU	5.0	0.01-3.0	15.0