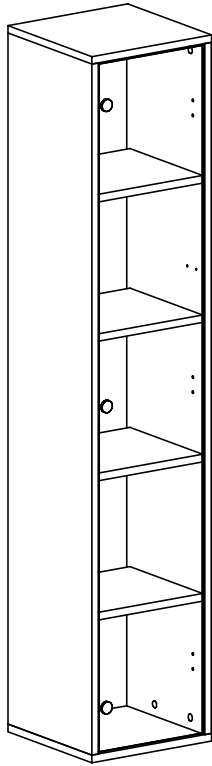
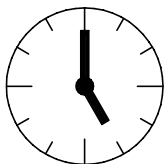
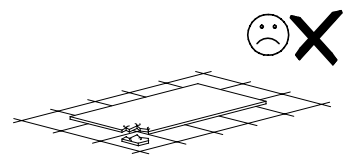
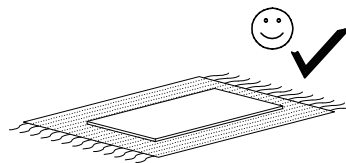
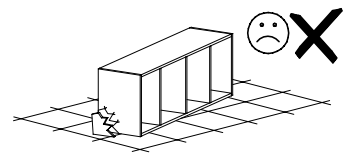
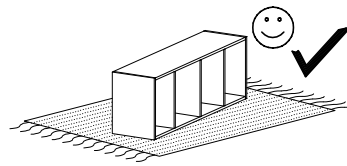
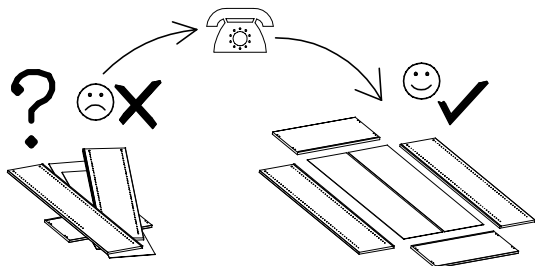
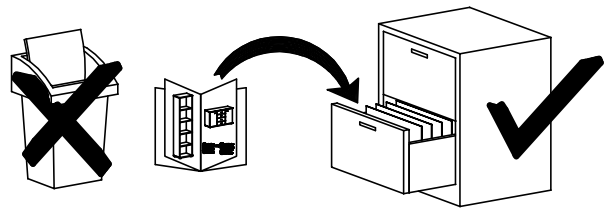
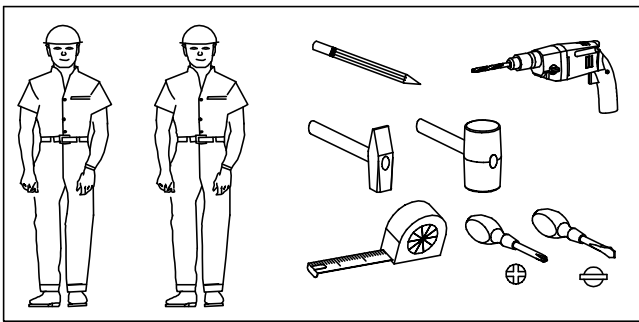
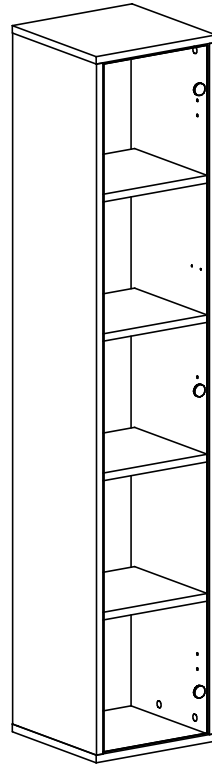


CARMEN – witryna

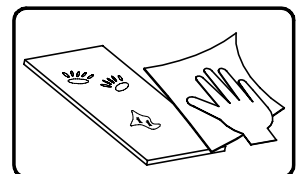
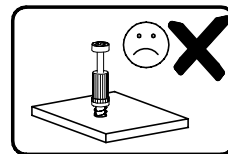
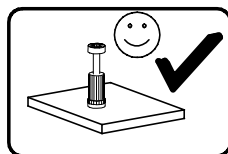
L



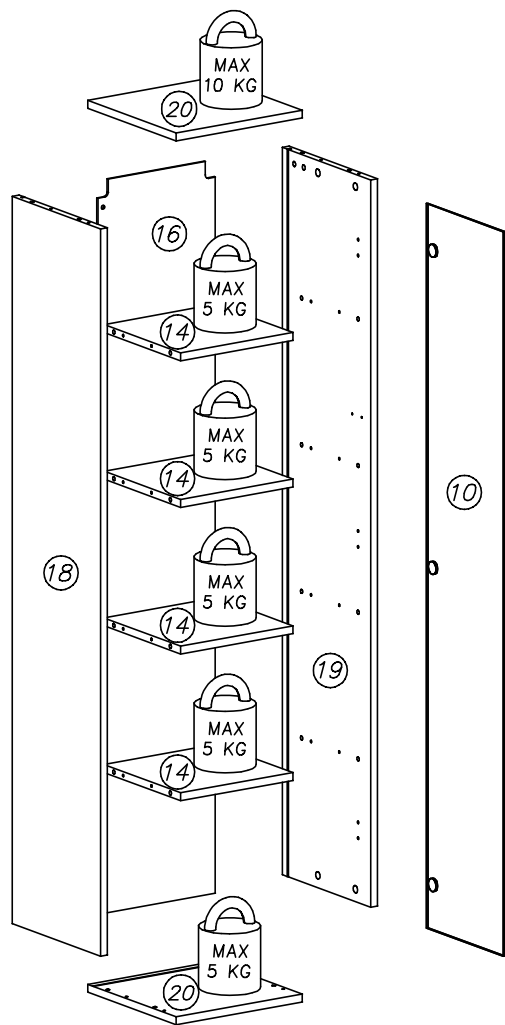
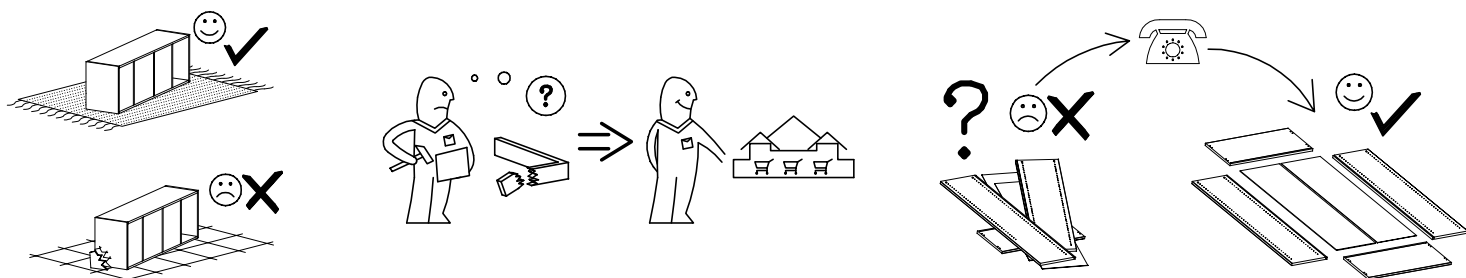
P


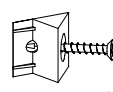
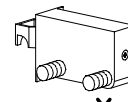
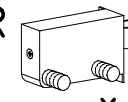
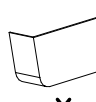
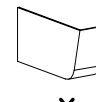
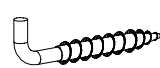


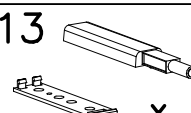
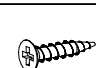
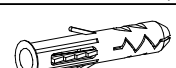
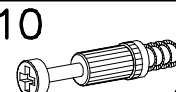

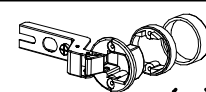
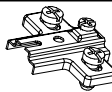



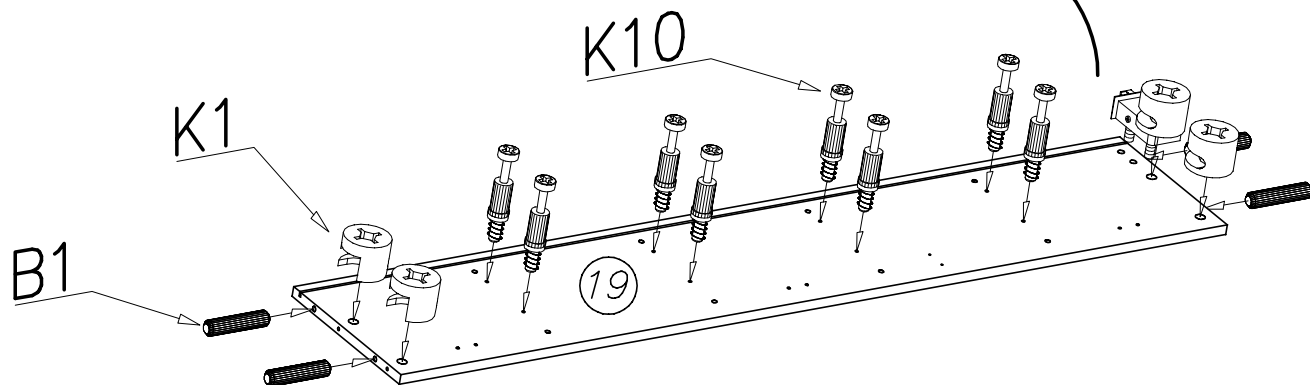
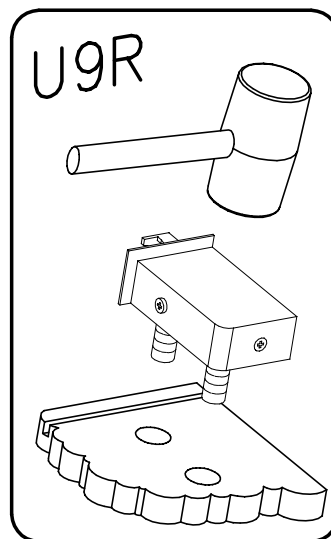
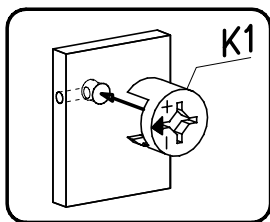
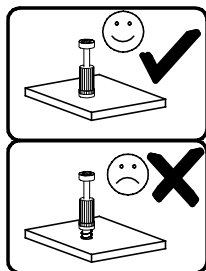
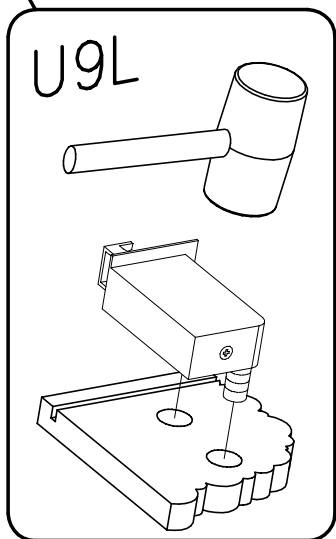
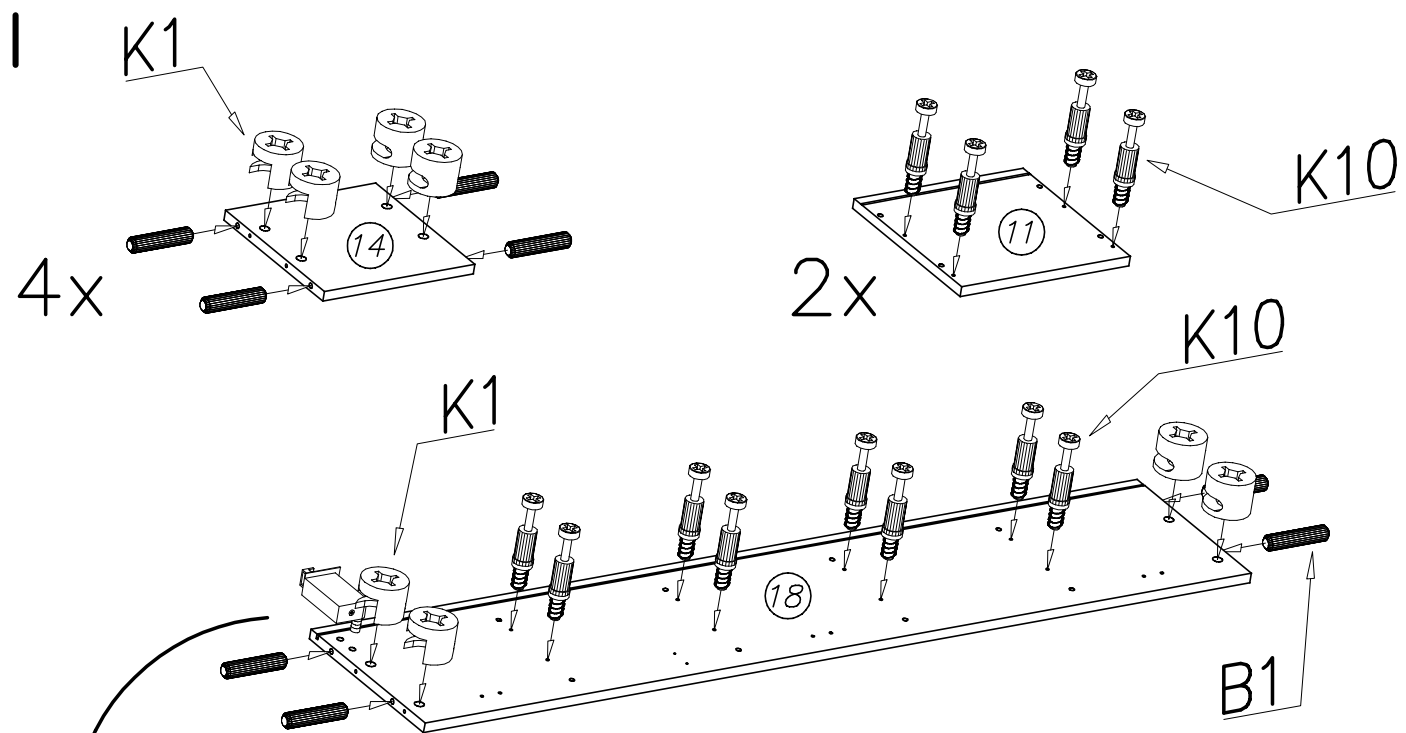
1h



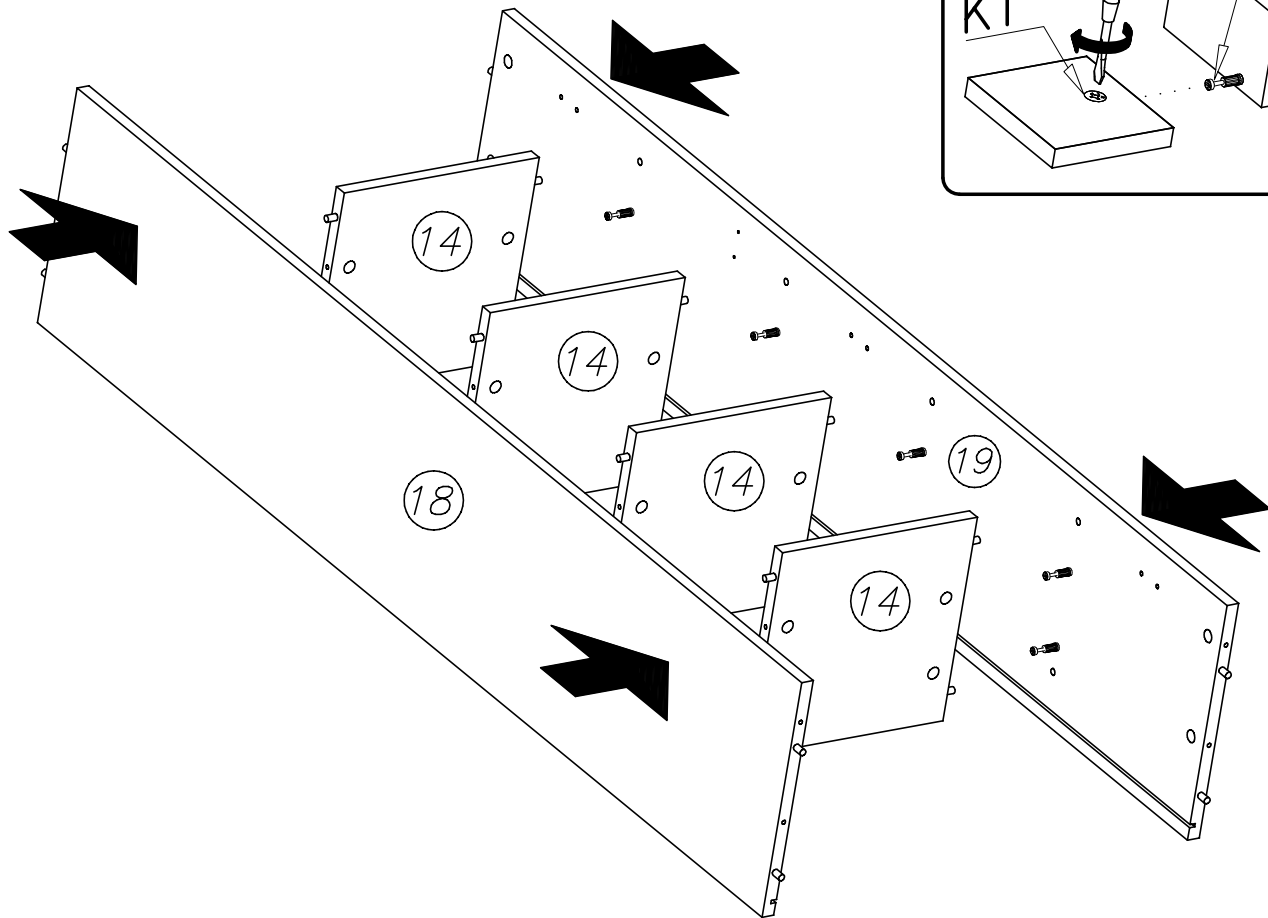
CARMEN – witryna



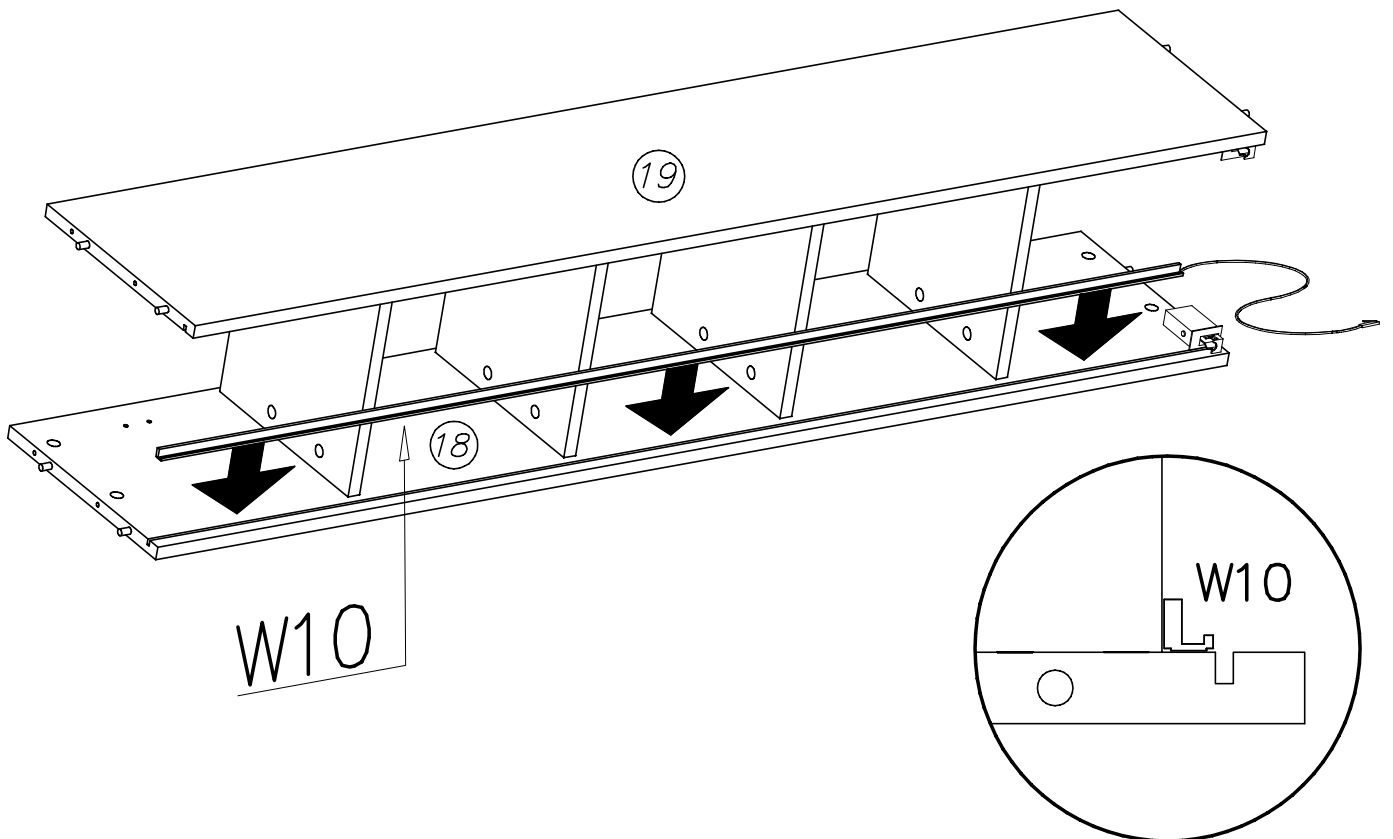
W10	 1400mm			x...(1)	I1	 x...(8)
U9L	U9R	U10L	U10R	U7		
 x...(1)	 x...(1)	 x...(1)	 x...(1)	 x...(2)		
K1	I7	L13	G57	U8		
 $\varnothing 15 \times 12$ x...(24)	 x...(24)	 x...(1)	 3,5x16 x...(2)	 $\varnothing 10 \times 60$ x...(2)		
K10	B1	C7	D7	I4		
 x...(24)	 $\varnothing 8 \times 35$ x...(24)	 ZS260D x...(3)	 PZS260D x...(3)	 $\varnothing 5$ x...(6)		



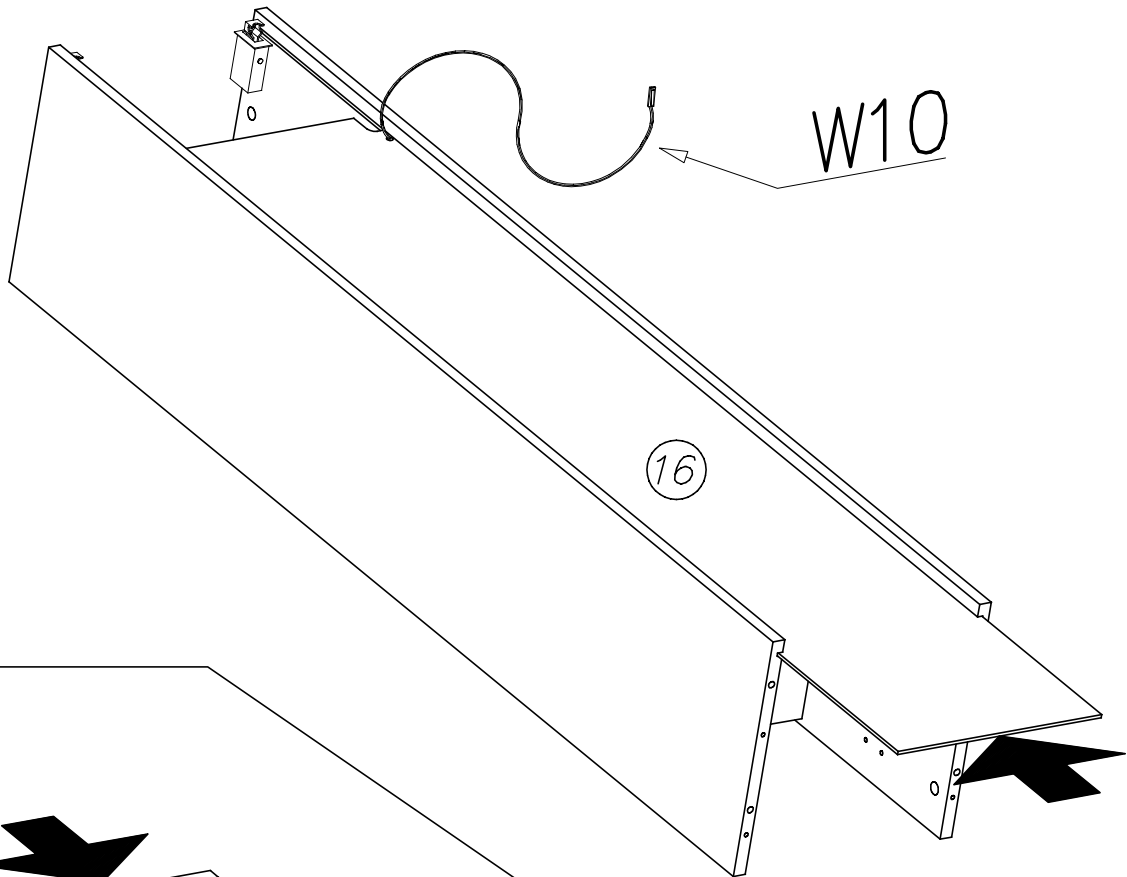
II



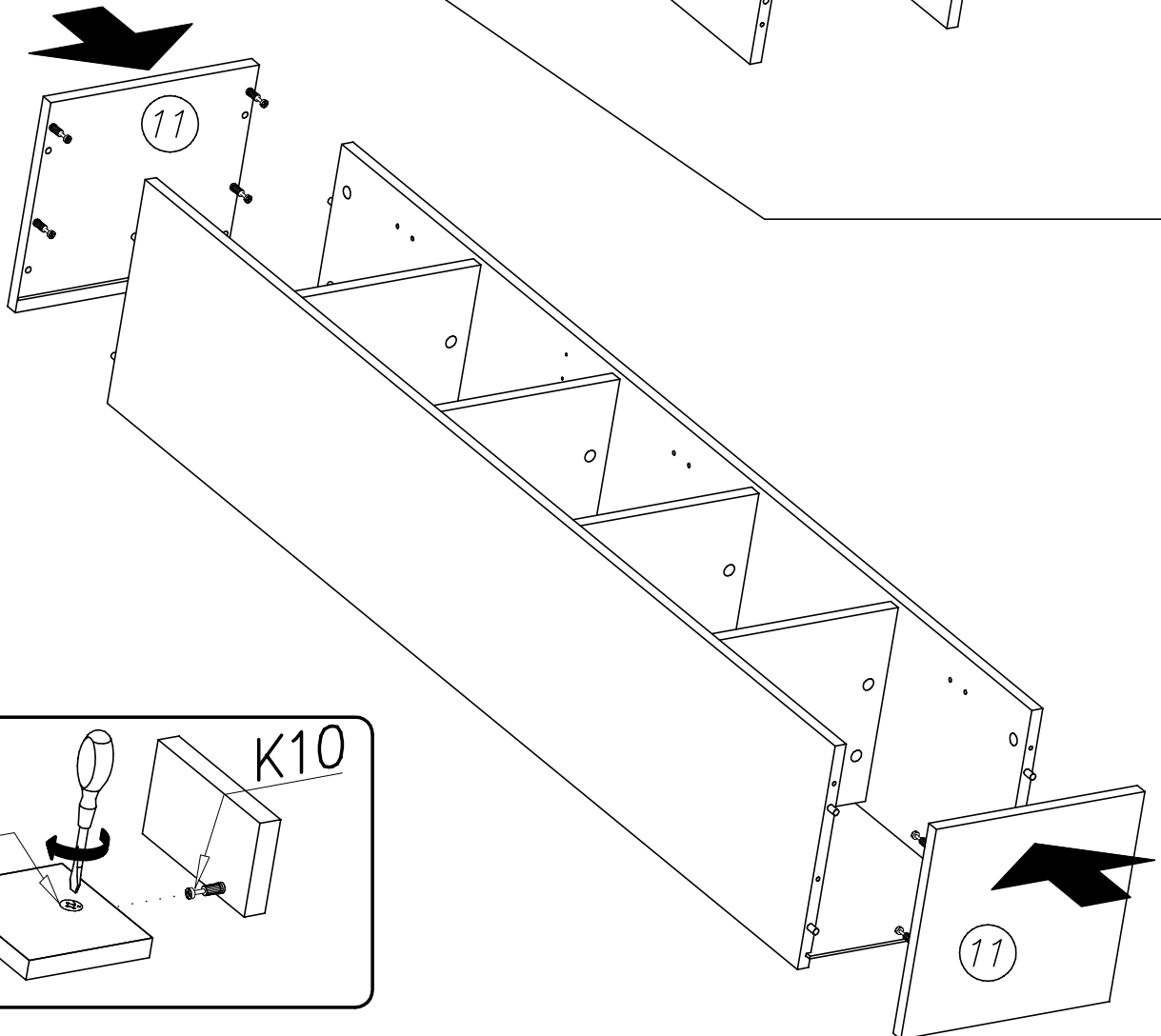
III



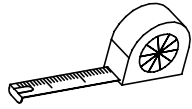
IV



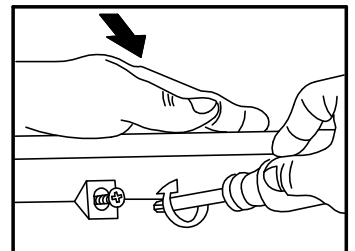
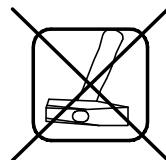
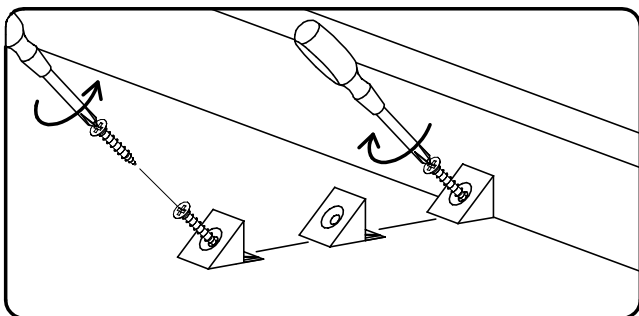
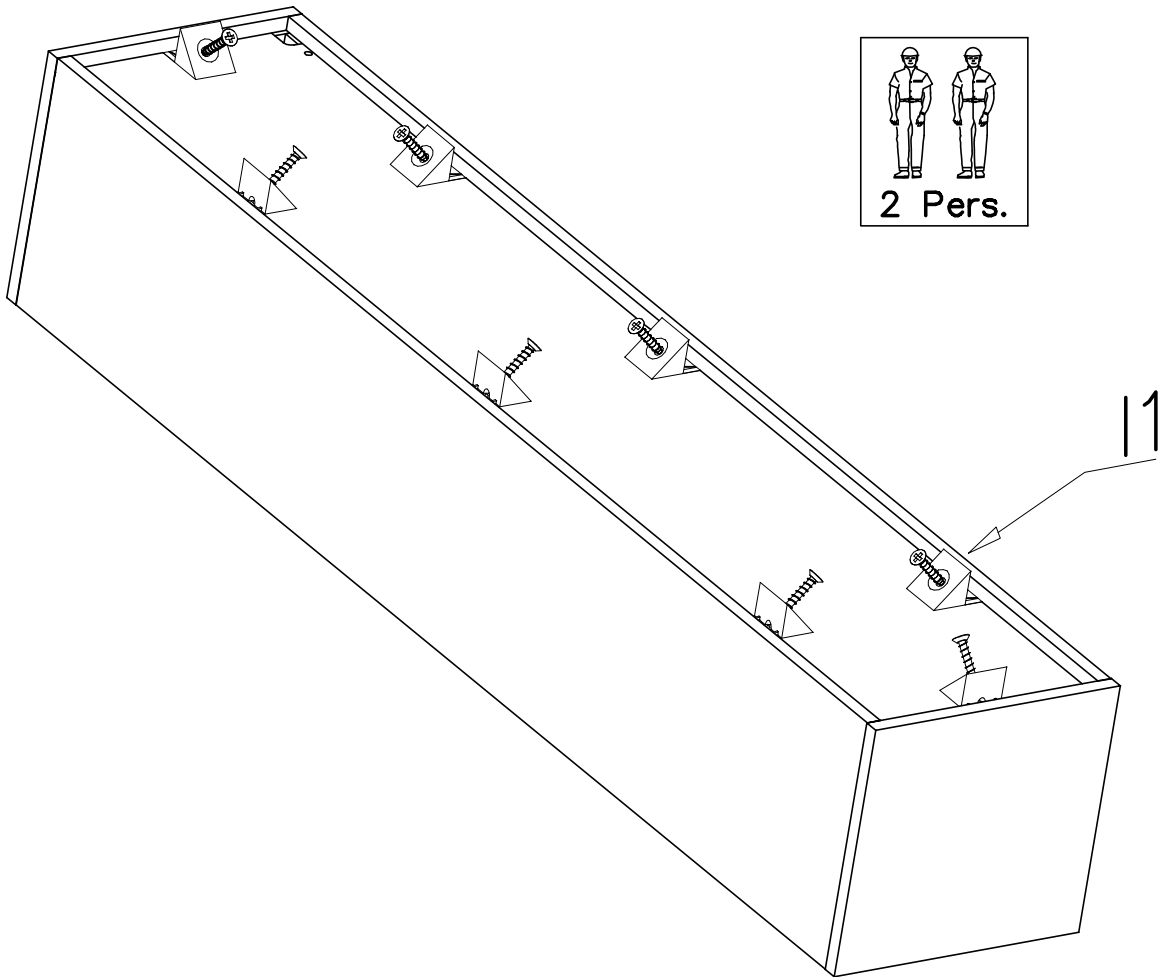
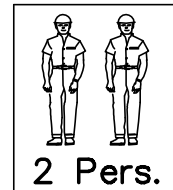
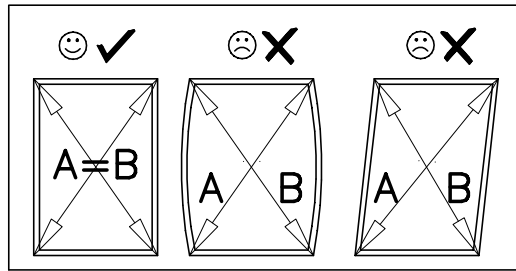
V



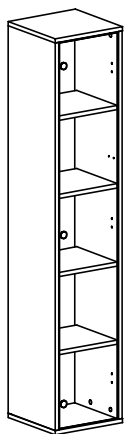
VI



A=B

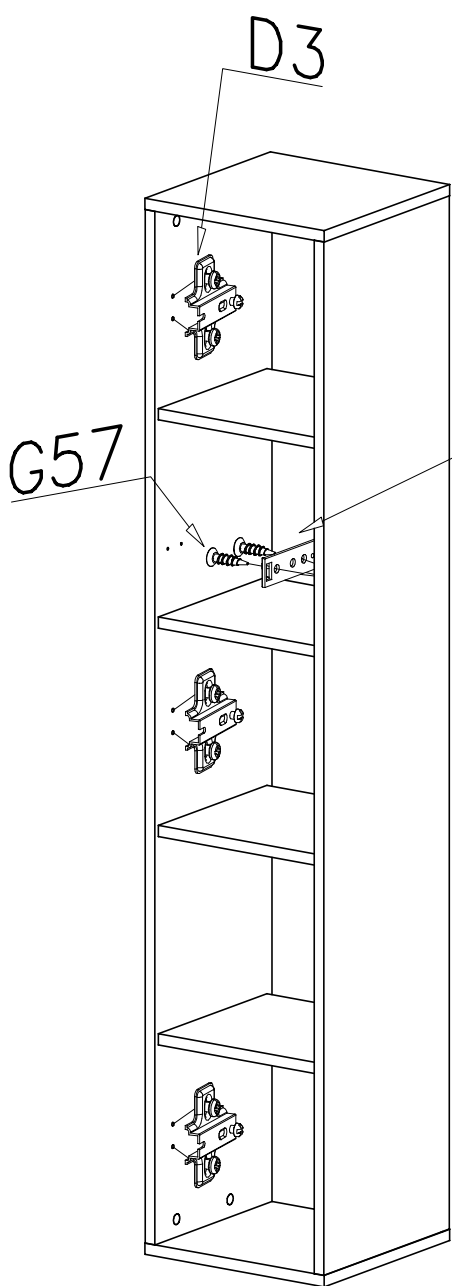
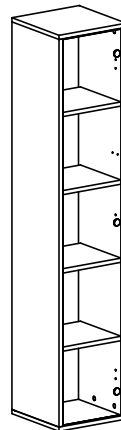


VII

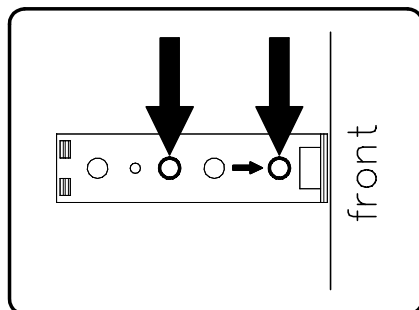


L

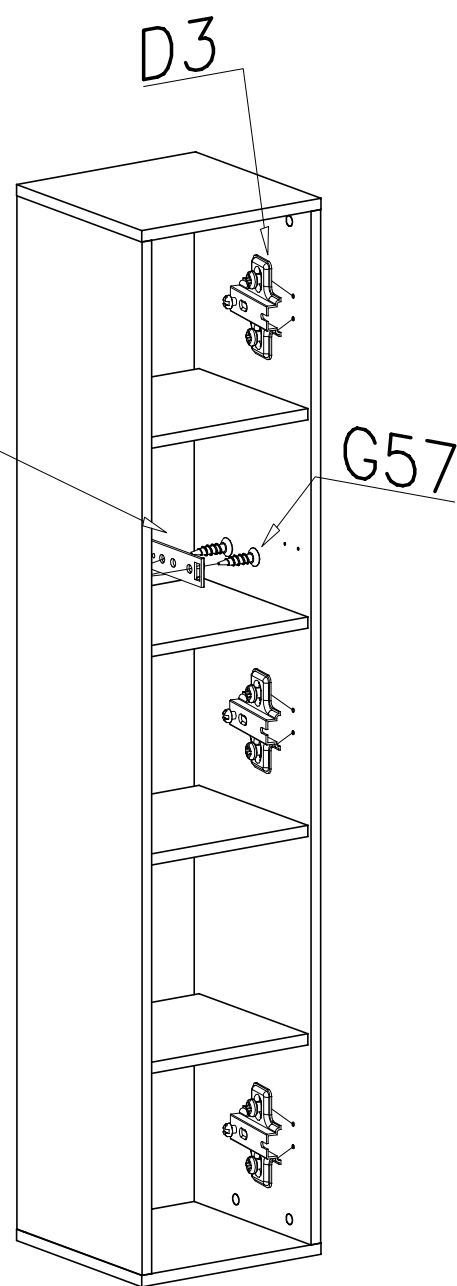
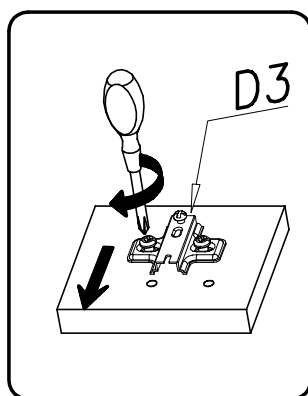
P



L13

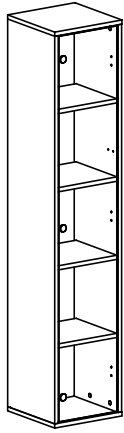


L13



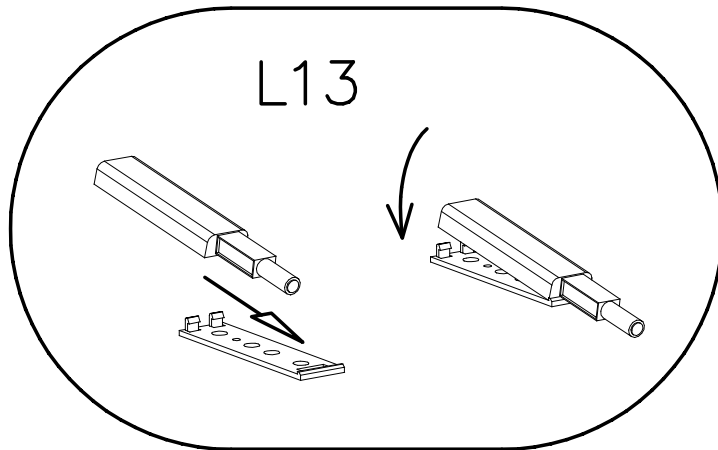
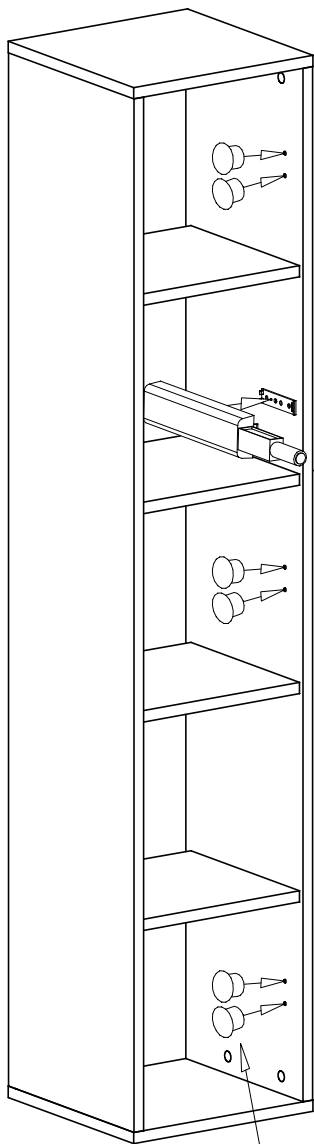
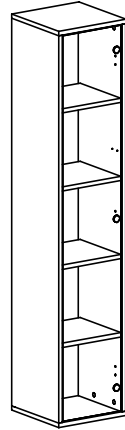
G57

VIII



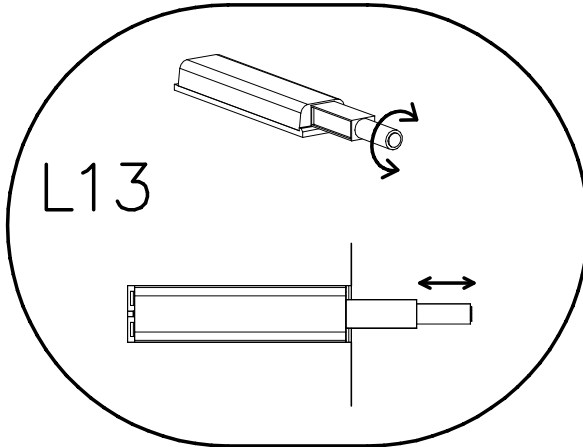
L

P



L13

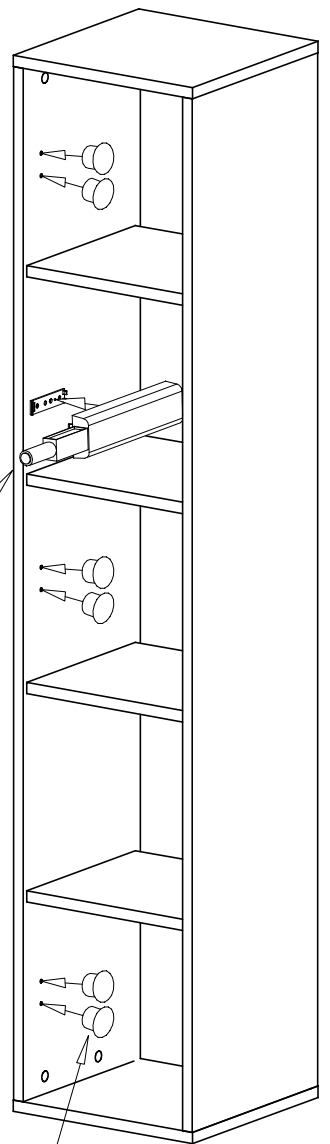
L13



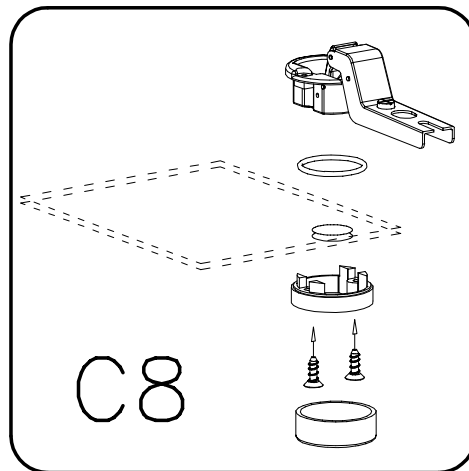
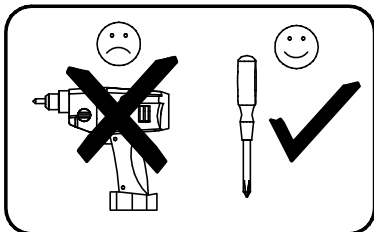
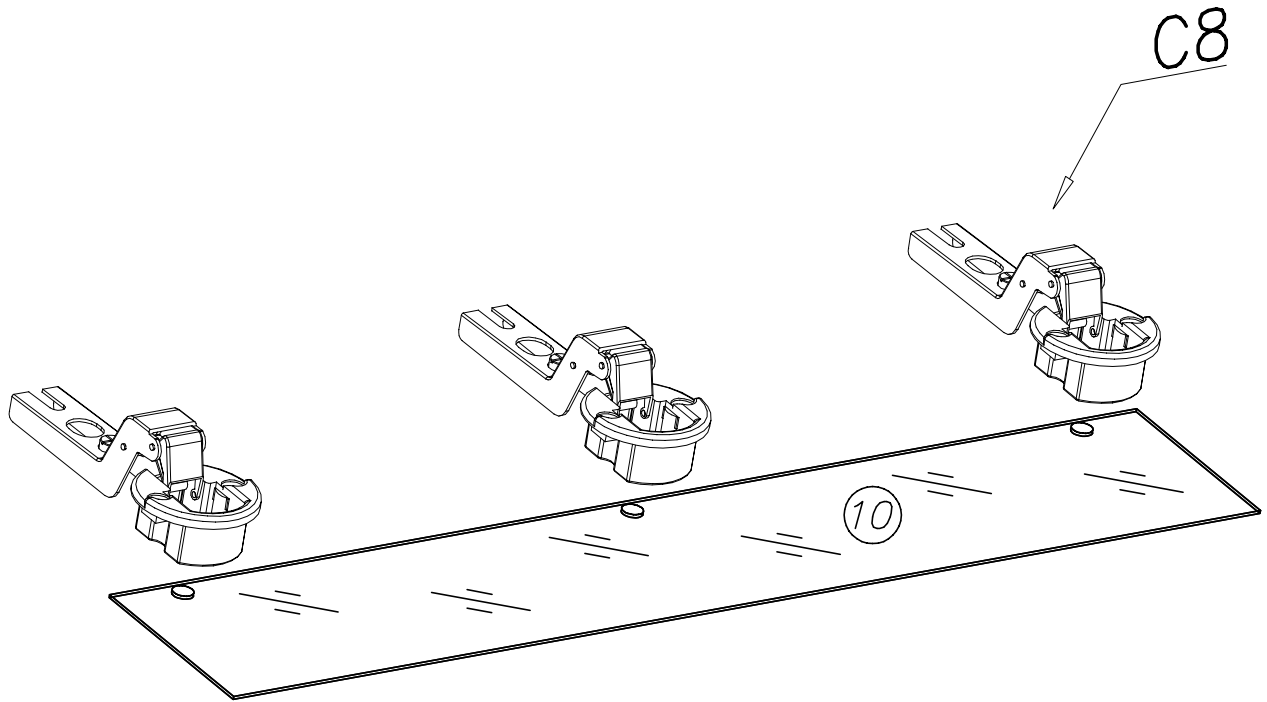
L13

14

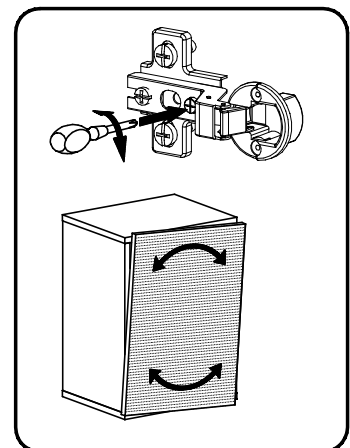
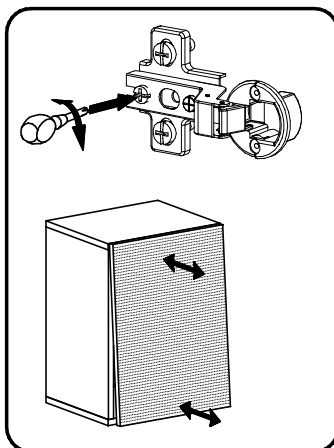
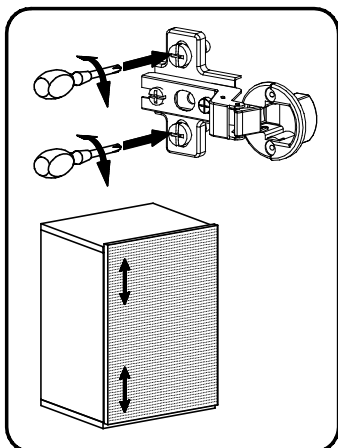
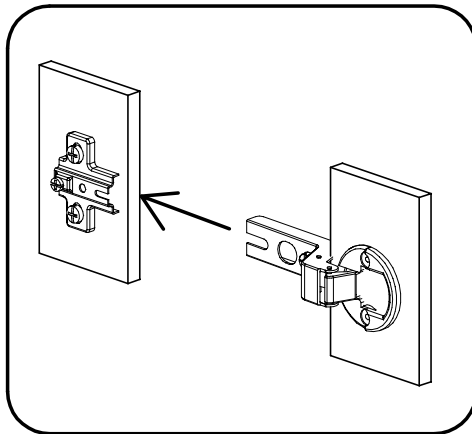
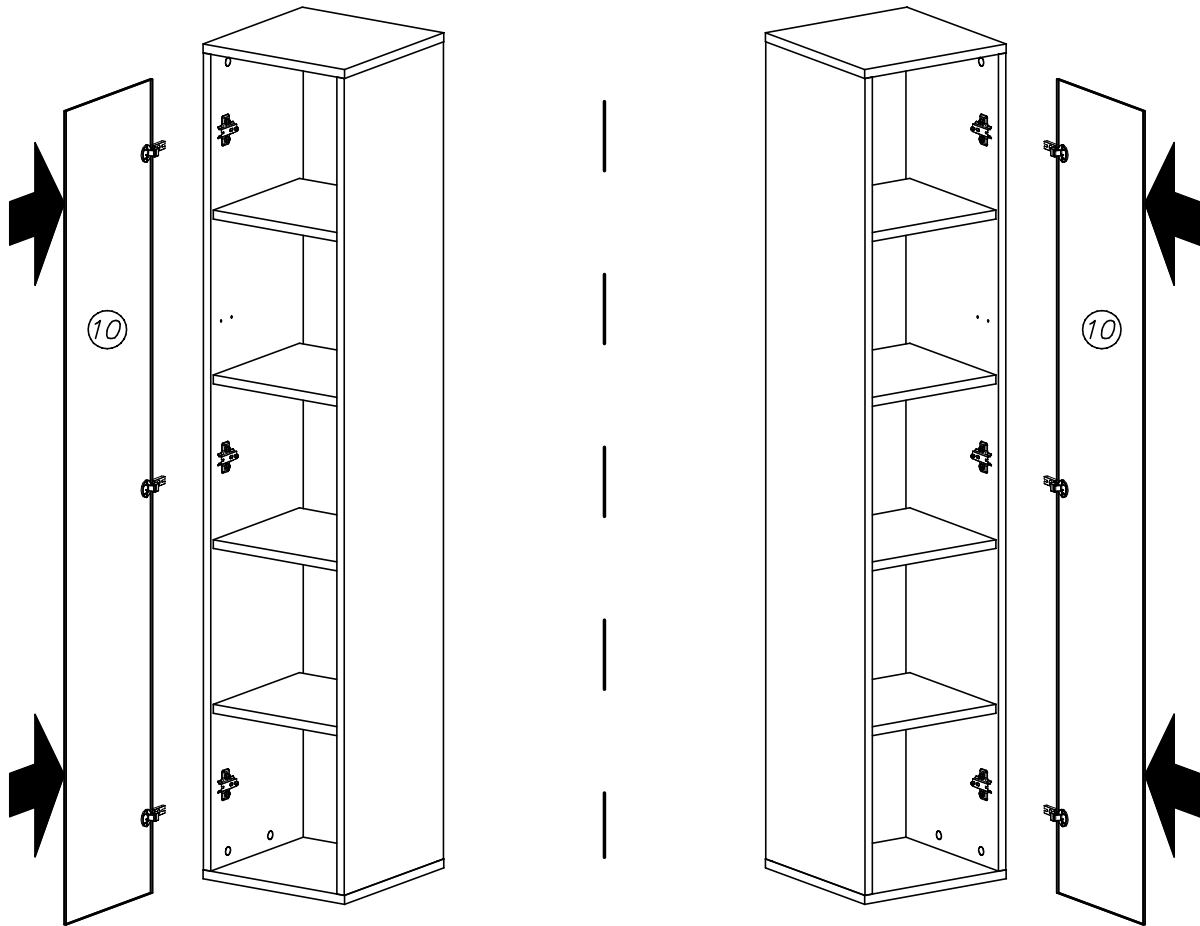
14



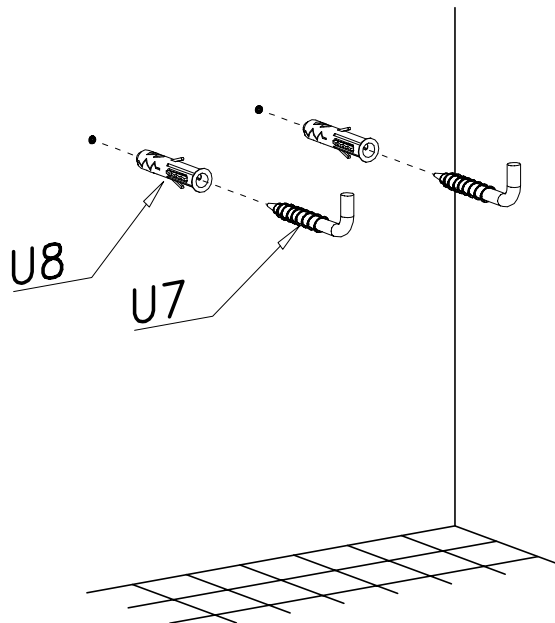
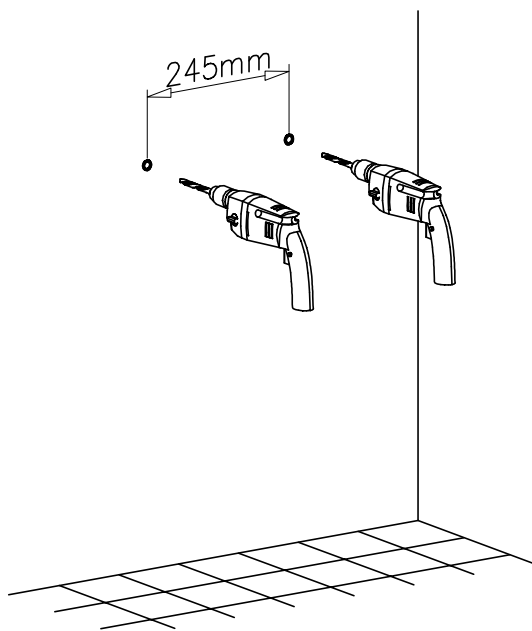
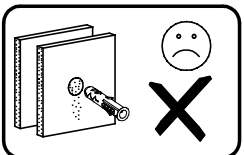
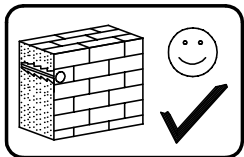
IX



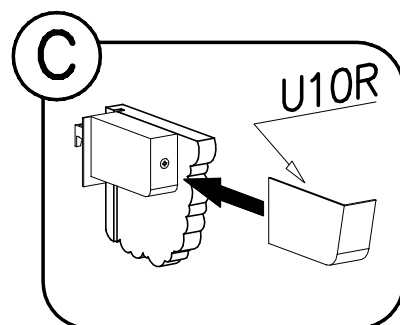
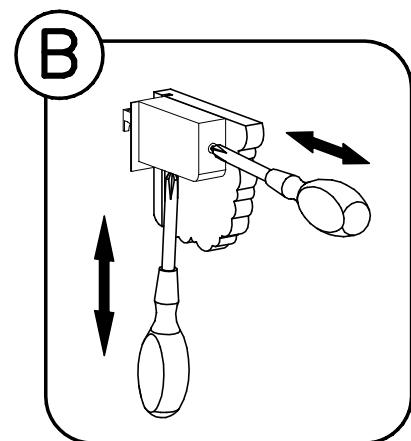
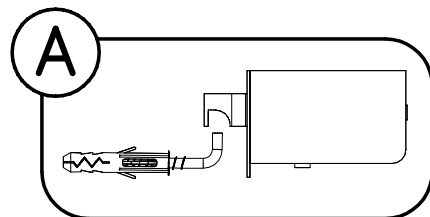
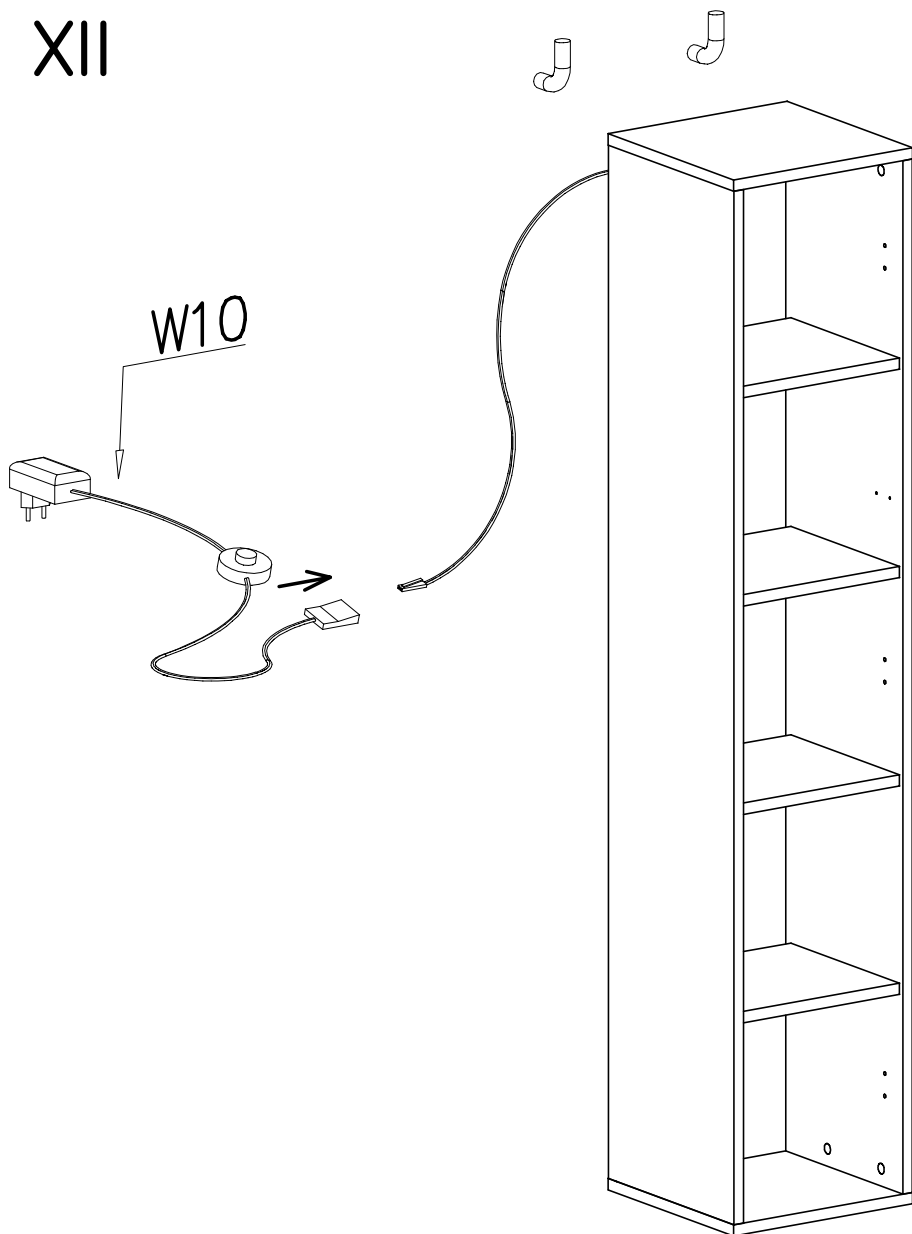
X



XI

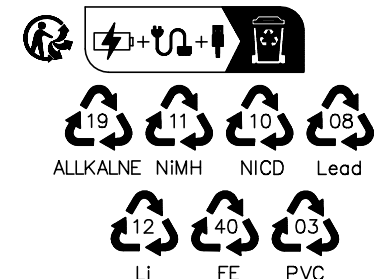
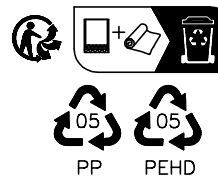
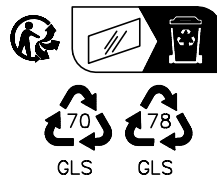
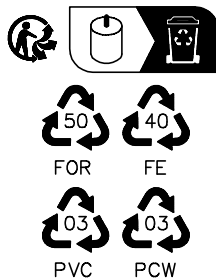
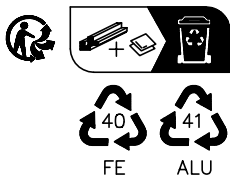
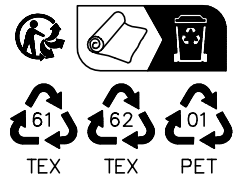
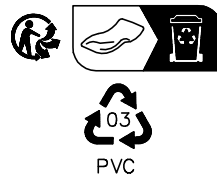
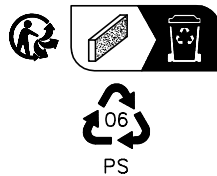
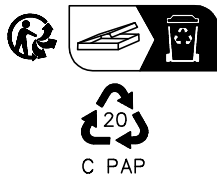
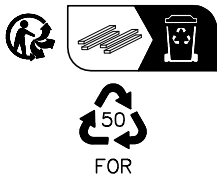
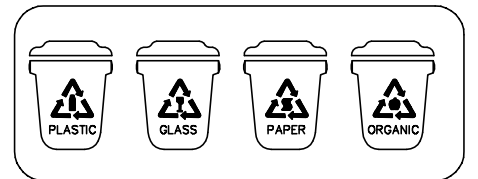
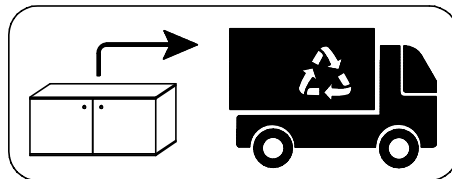
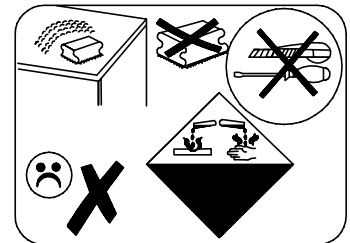
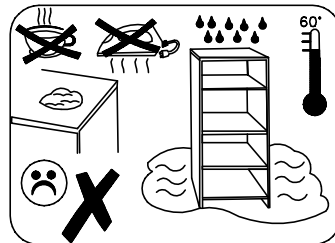
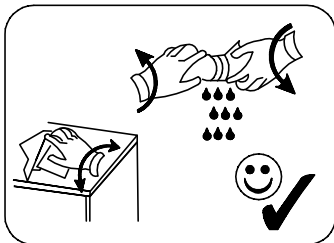
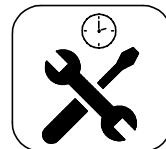
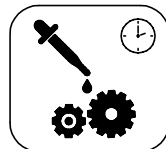
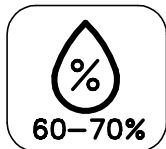
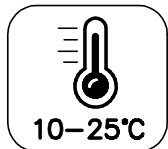
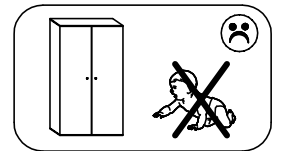
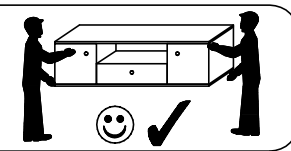
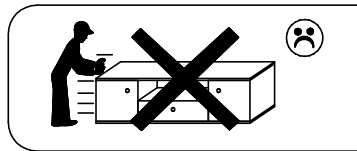
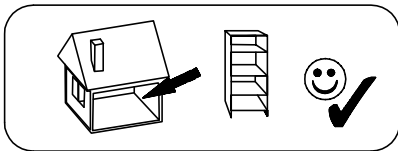
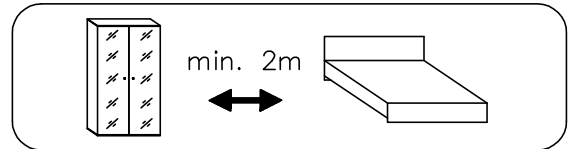
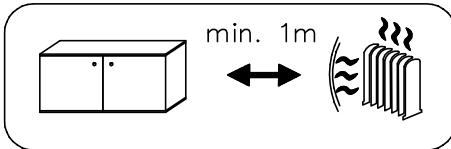
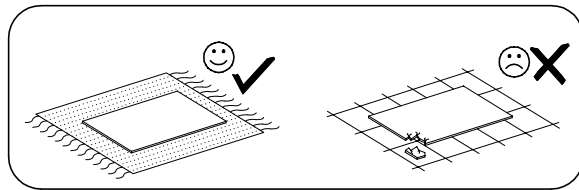
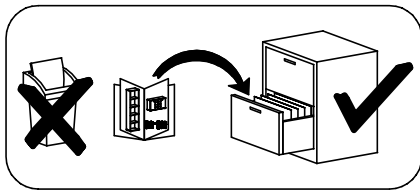


XII



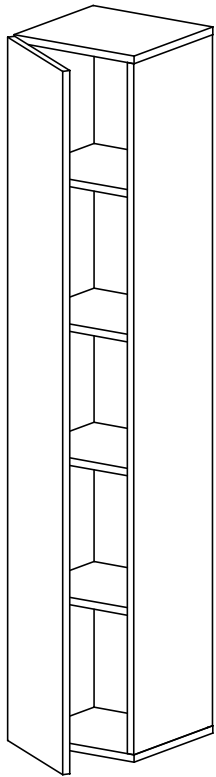


Uwaga • Upozornění • Achtung • Attention • Caution • Figyelem
 Attenzione • Opgelet • Внимание • Atenție • Upozornenie • Dikkat

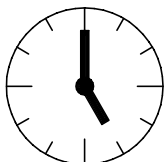
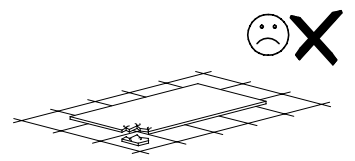
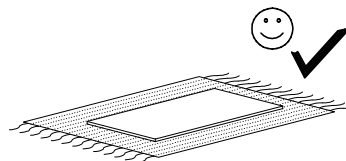
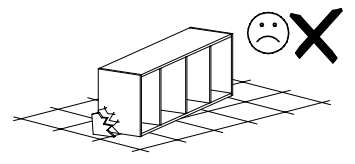
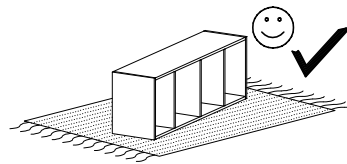
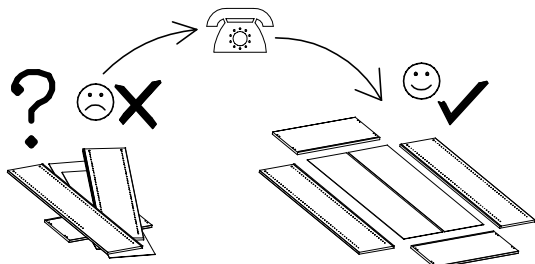
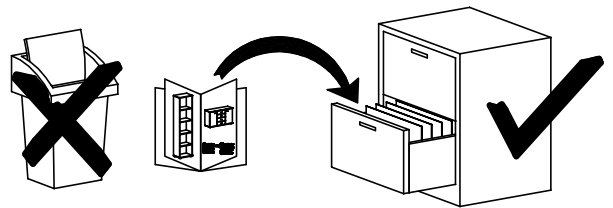
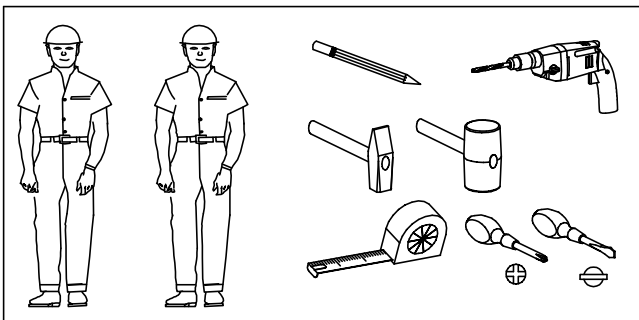
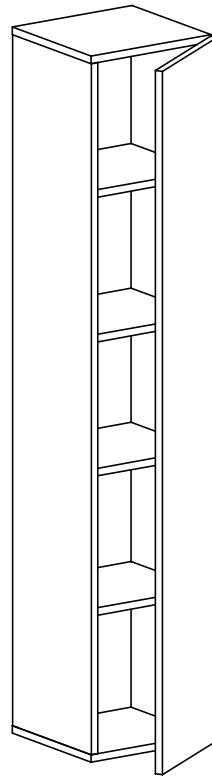


CARMEN – szafka pionowa

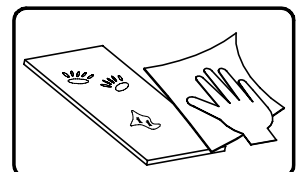
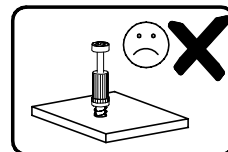
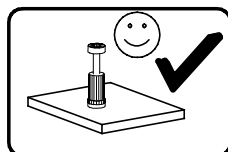
L



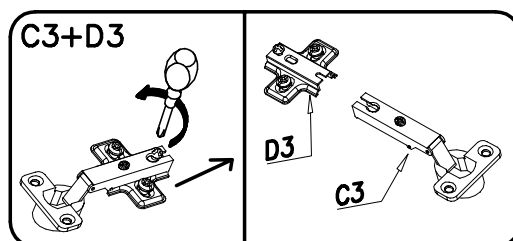
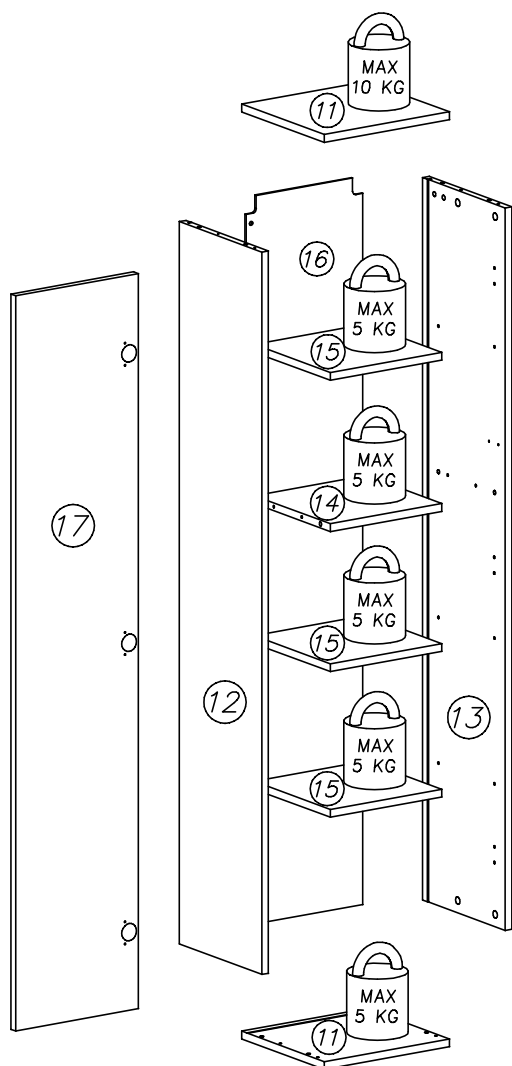
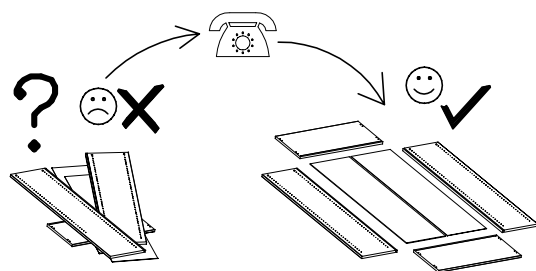
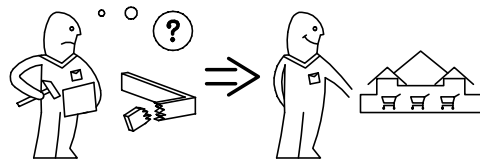
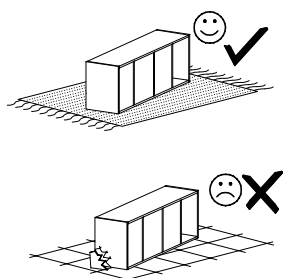
P



1h

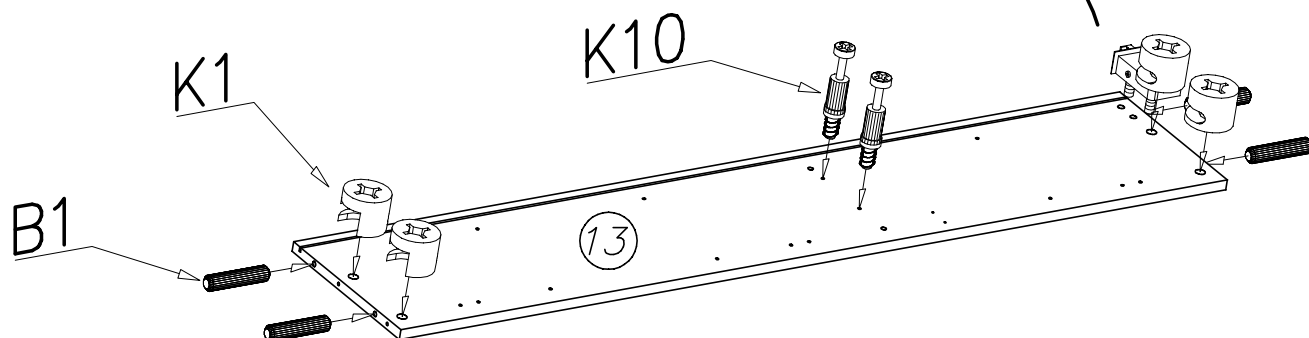
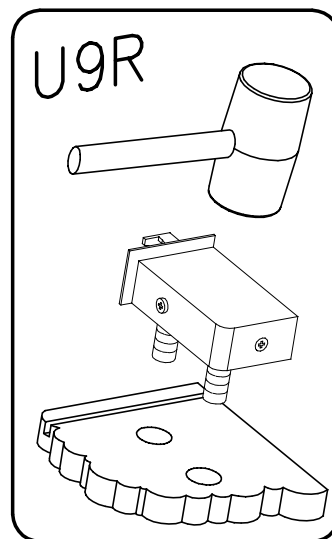
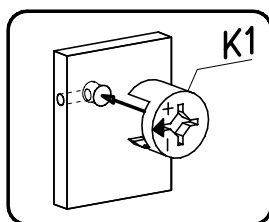
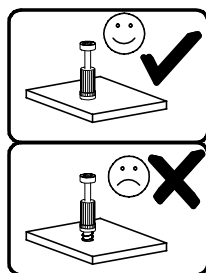
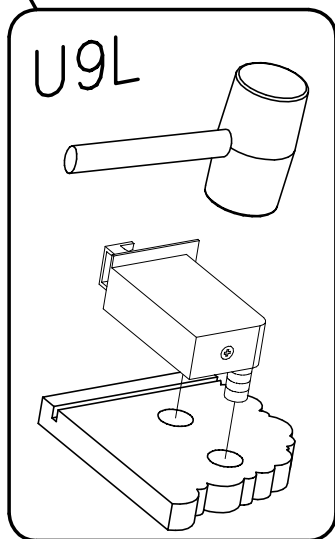
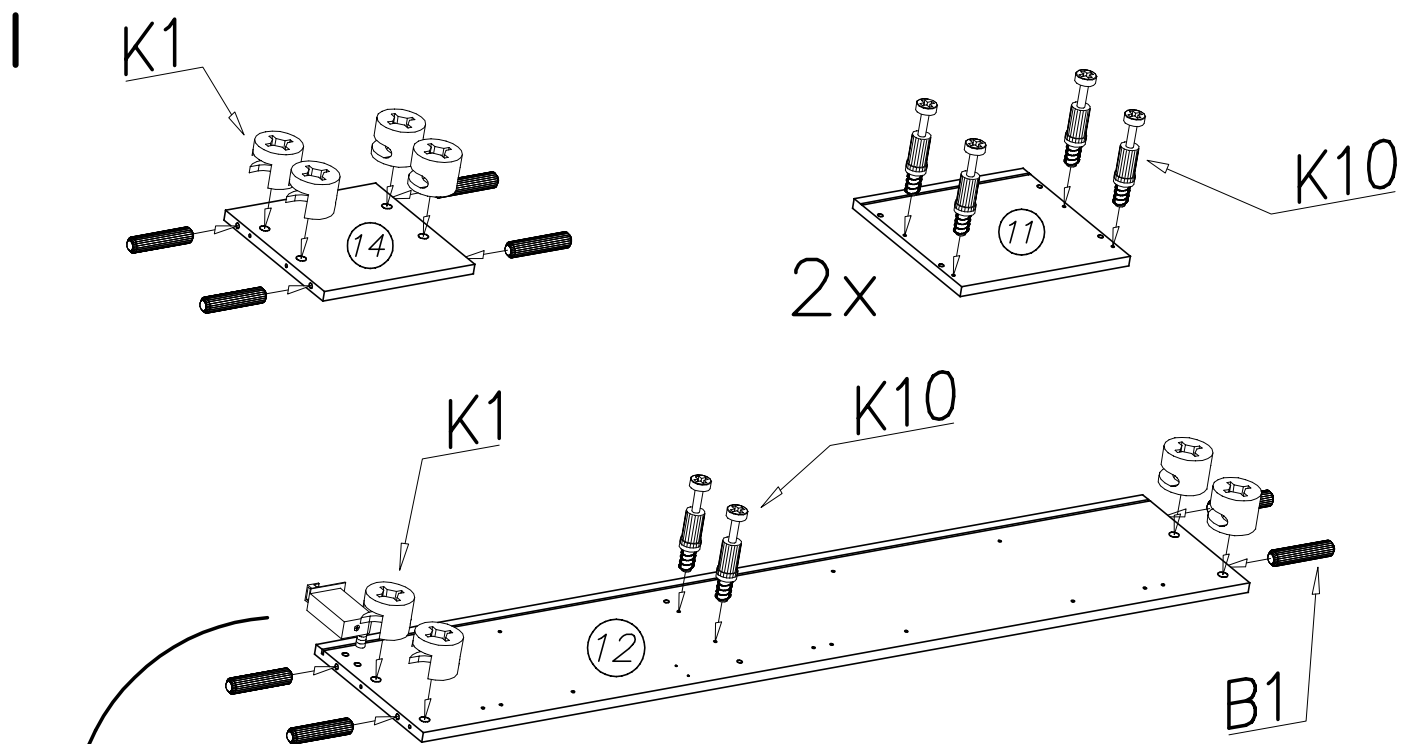


CARMEN – szafka pionowa

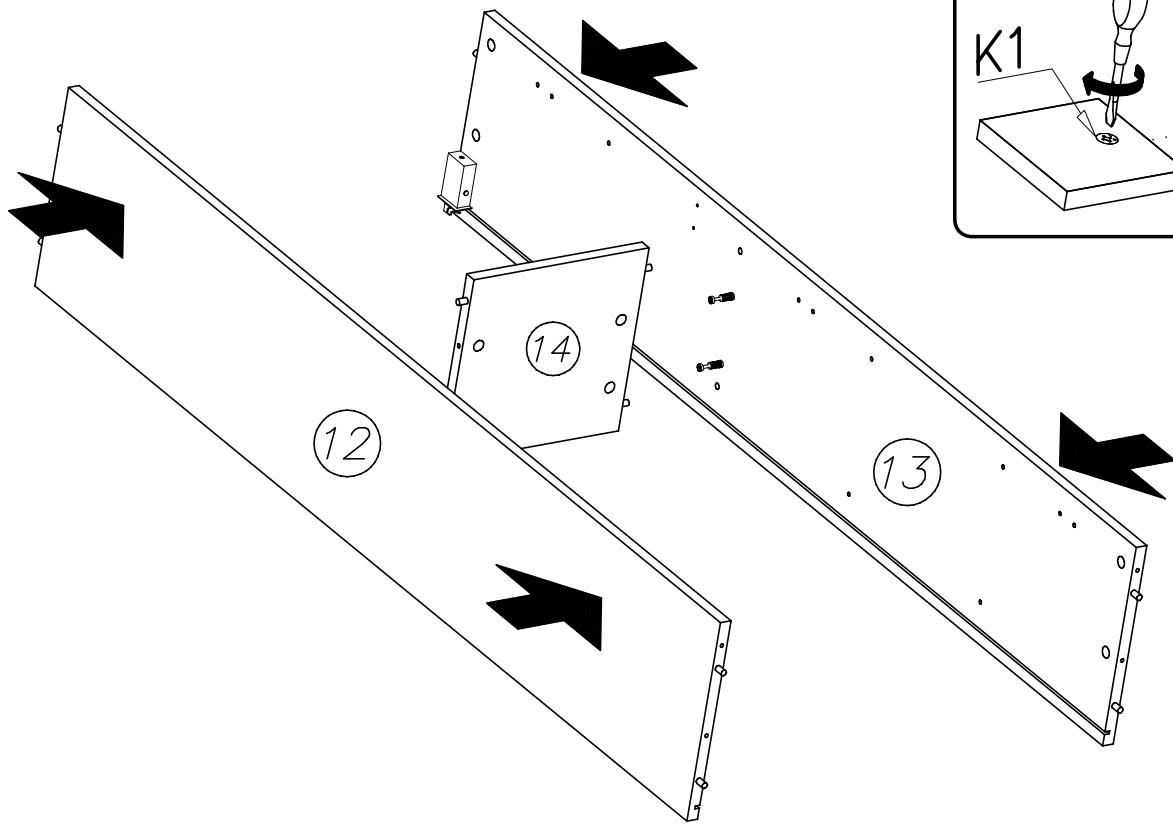


F2		x...(12)	I1		x...(8)
U9L		x...(1)	U10R		x...(1)
U9R		x...(1)	U7		x...(2)
U10L		x...(1)	U8		x...(2)
K1		ø15x12 x...(12)	G57		3,5x16 x...(2)
I7		x...(12)	H=2		PZ35PR x...(3)
L13		x...(1)	G34		3,5x16 x...(9)
B1		ø8x35 x...(12)	Z35PR		x...(3)

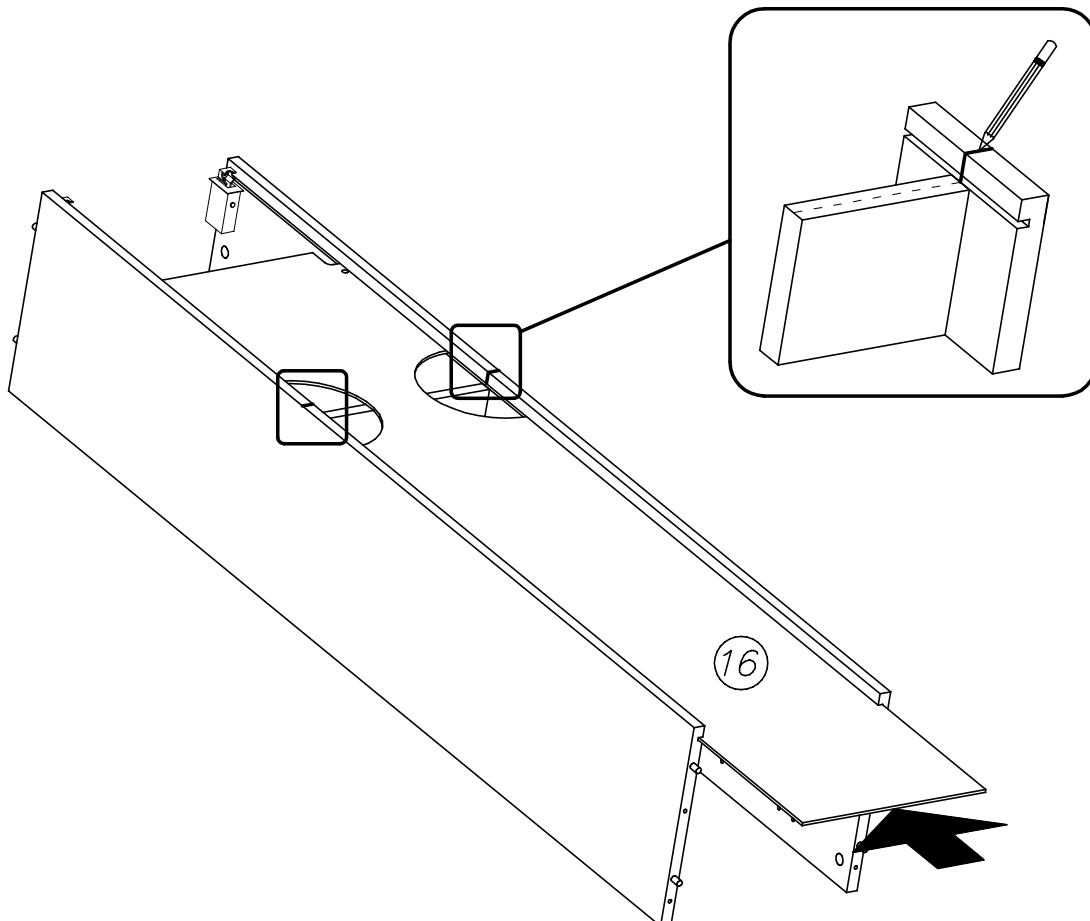
K10		x...(12)	D3		x...(3)
-----	--	----------	----	--	---------



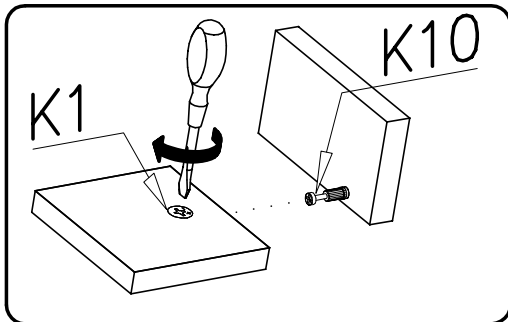
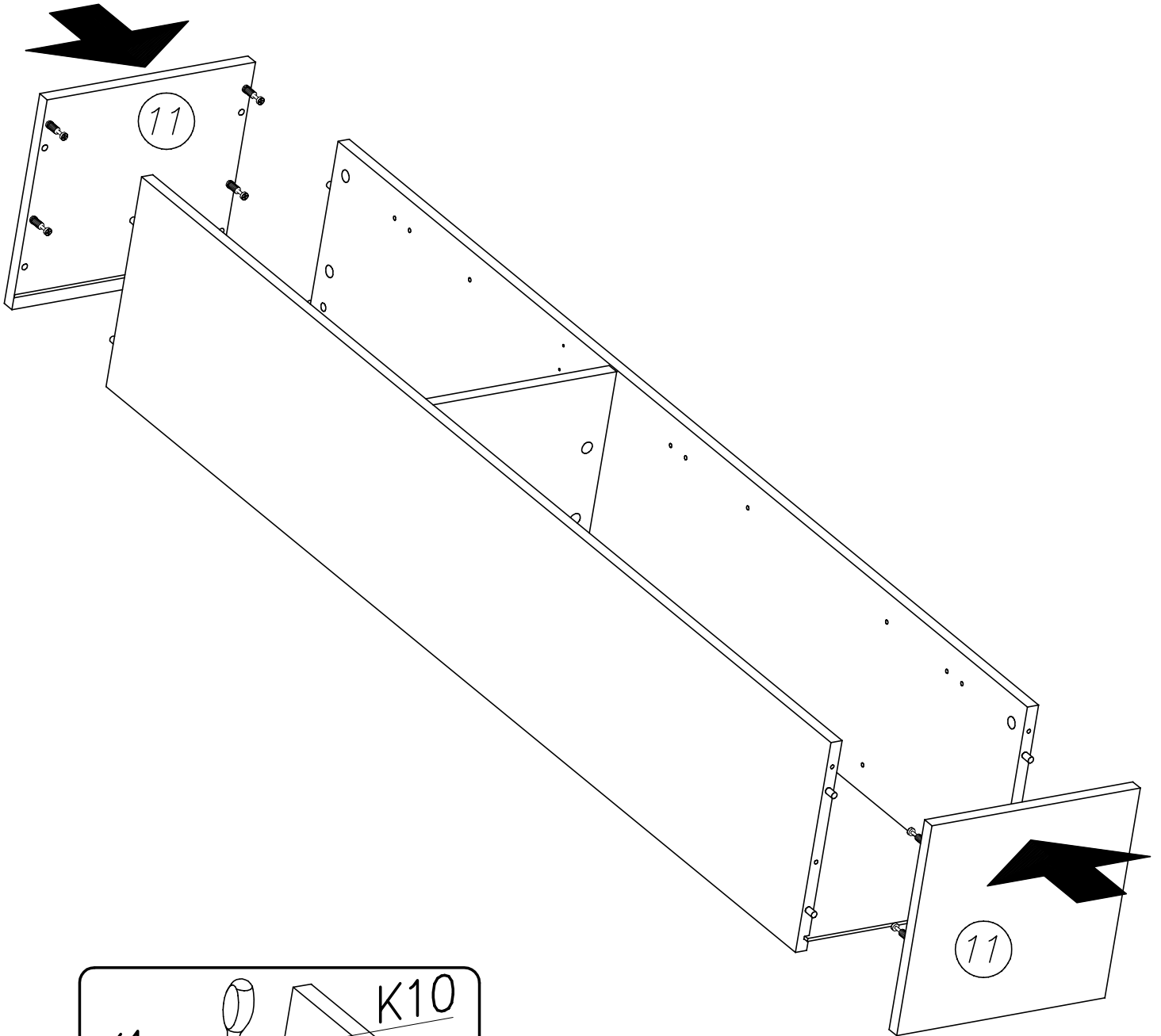
II



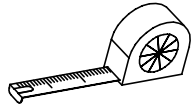
III



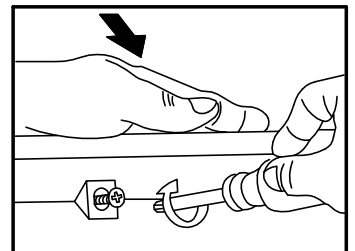
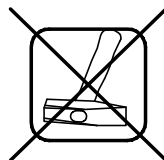
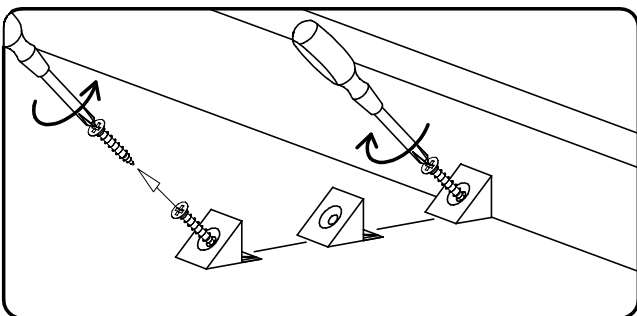
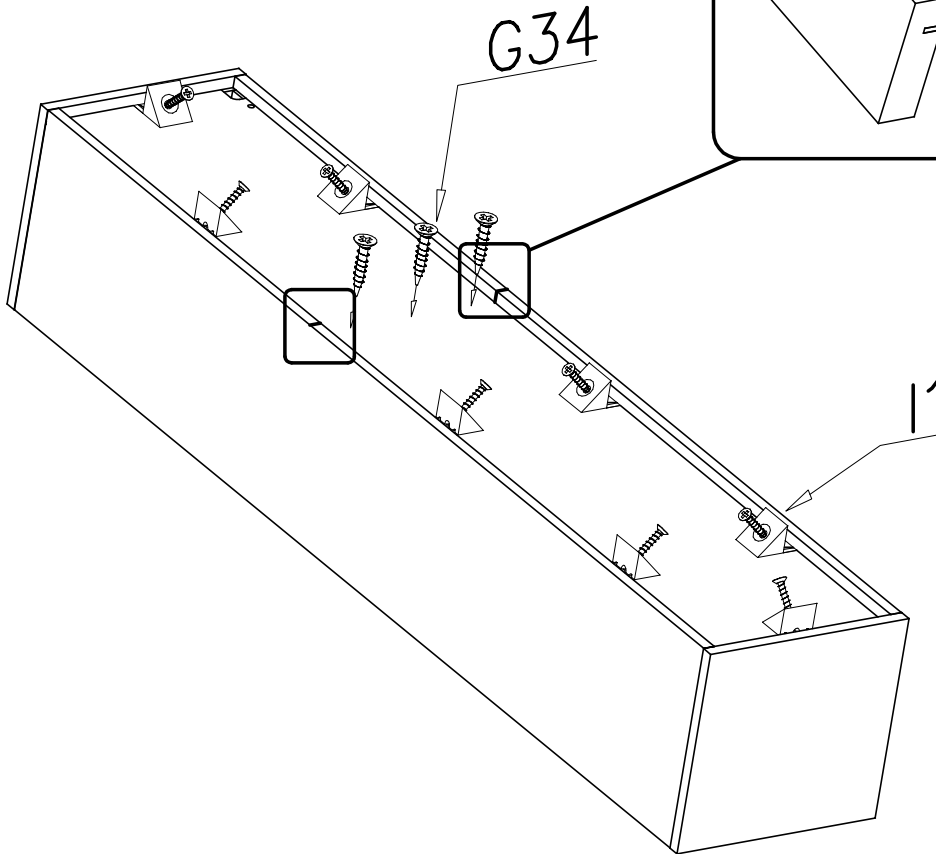
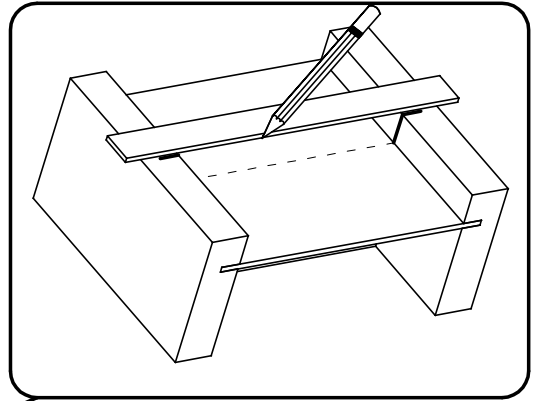
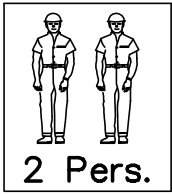
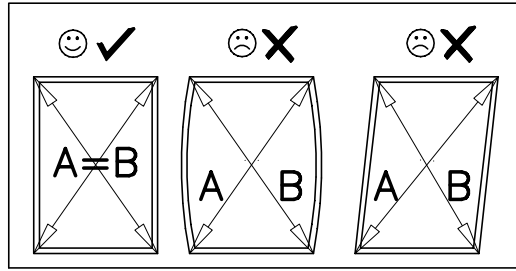
IV



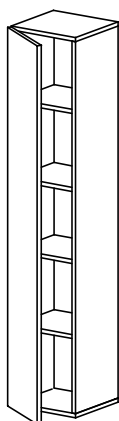
V



A=B

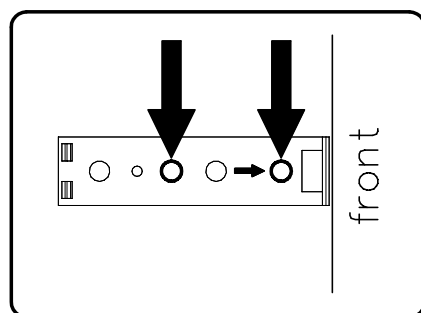
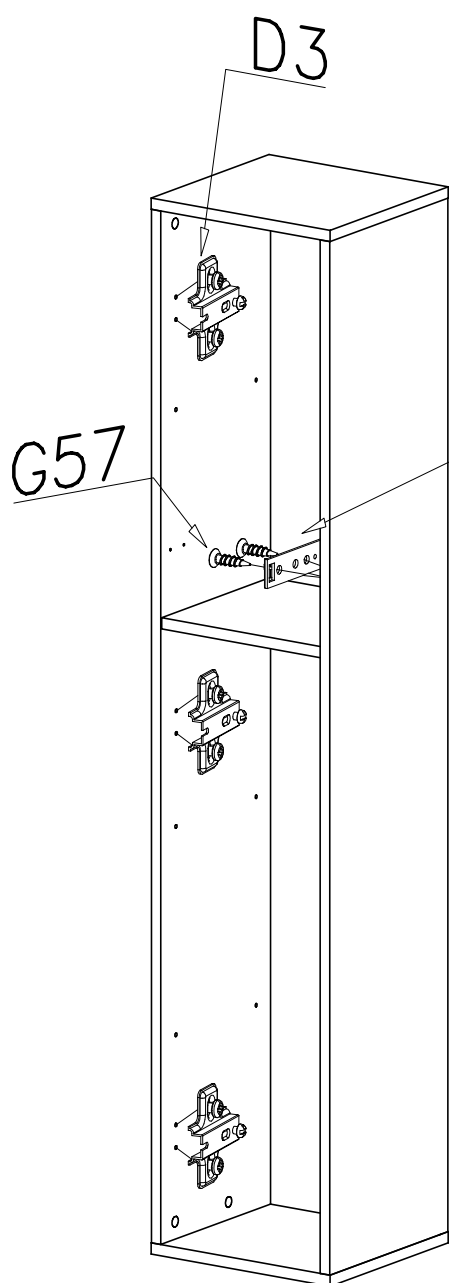
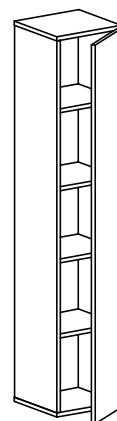


VI

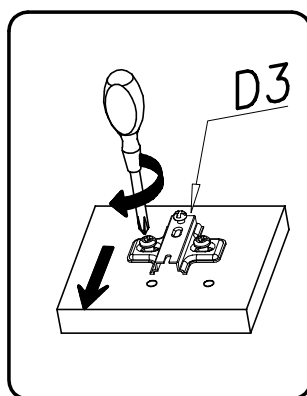


L

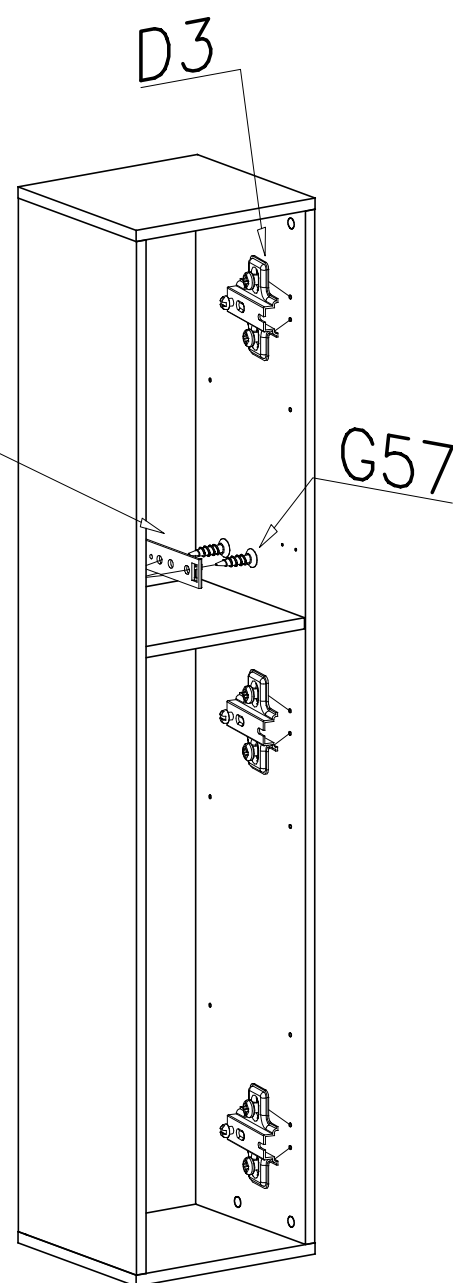
P



L13

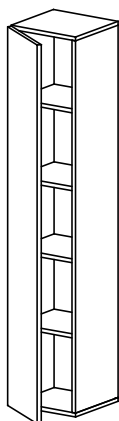


L13



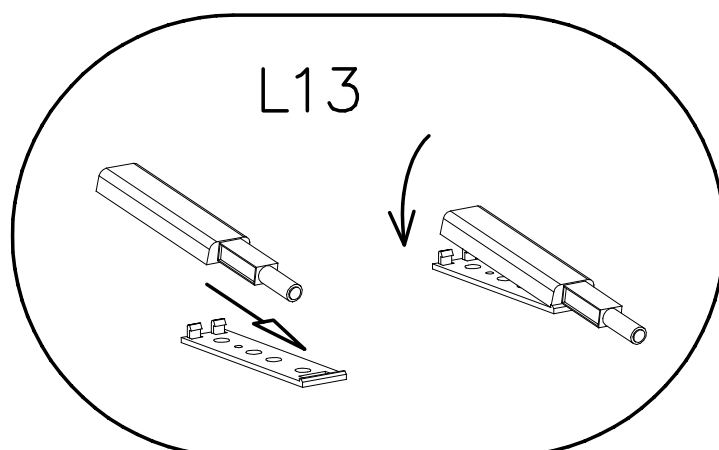
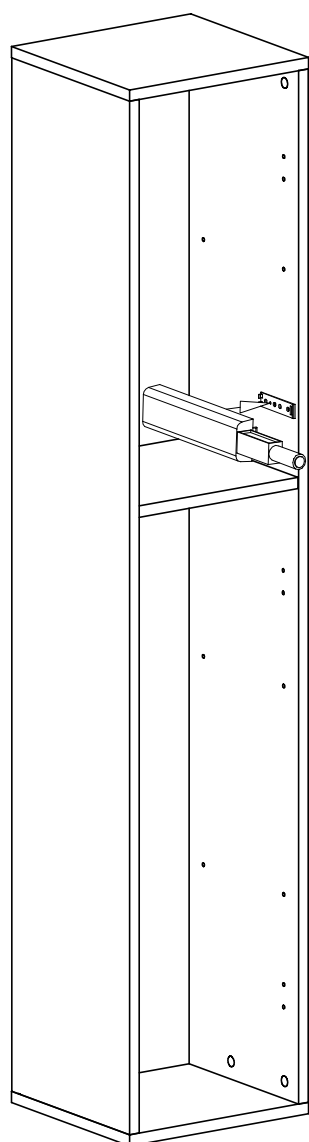
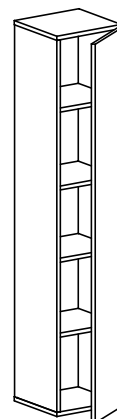
G57

VII



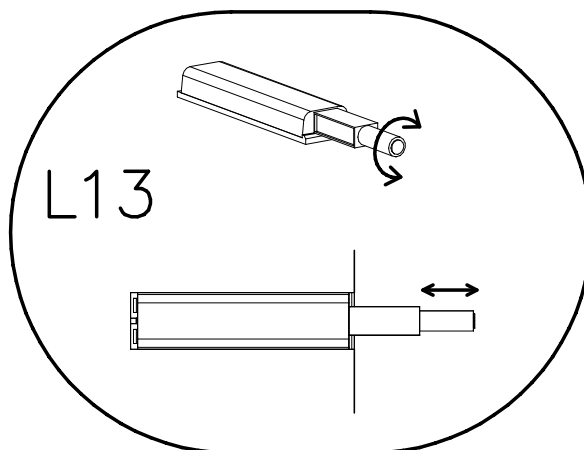
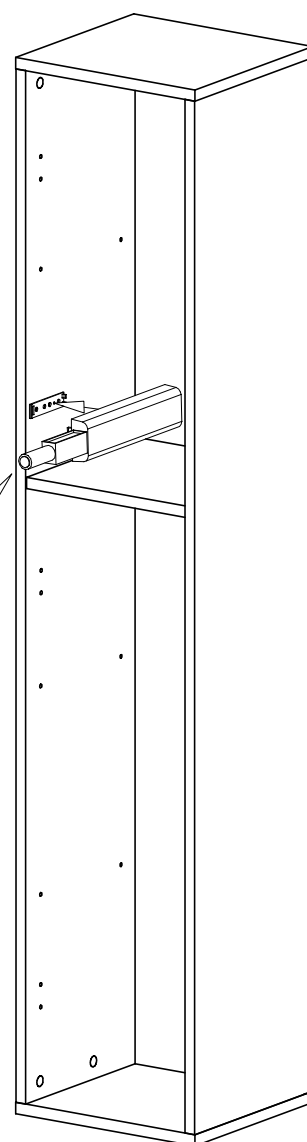
L

P



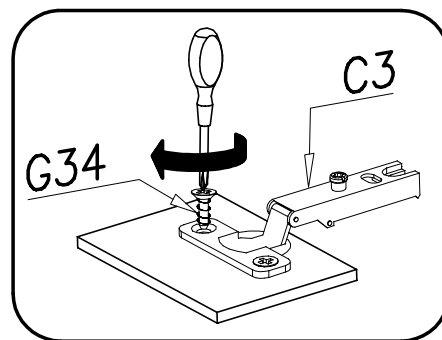
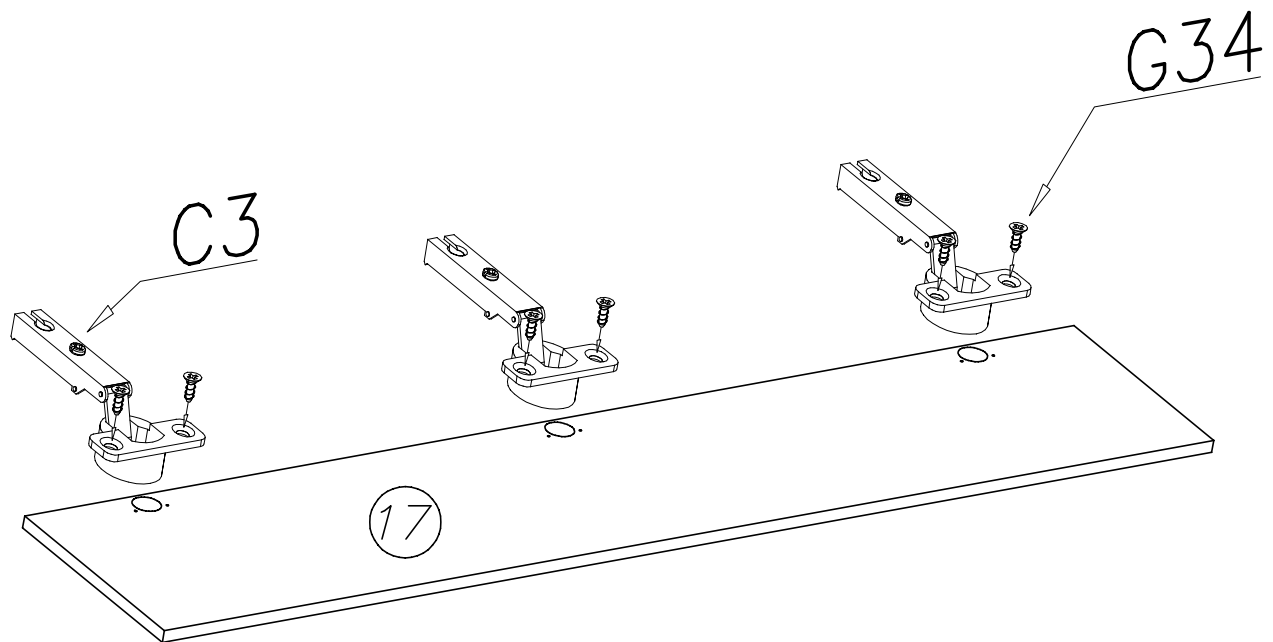
L13

L13

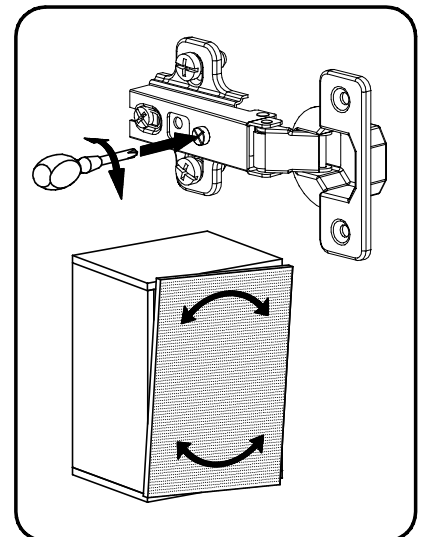
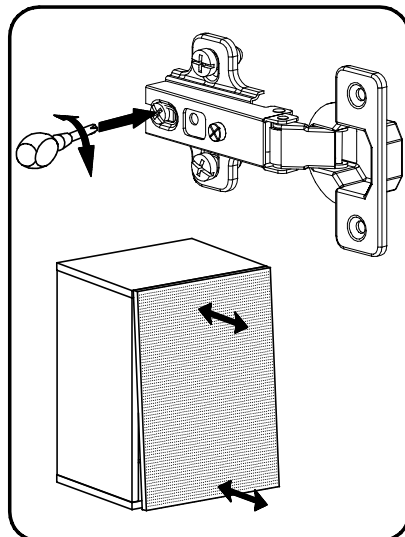
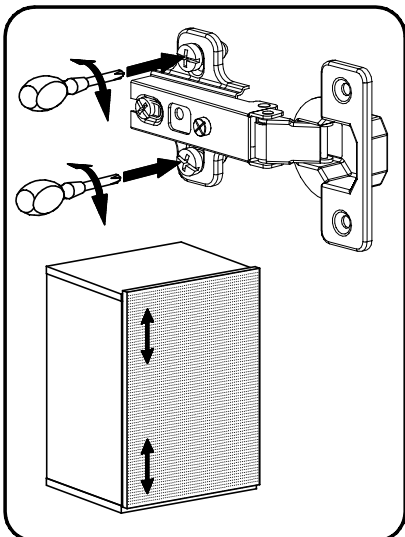
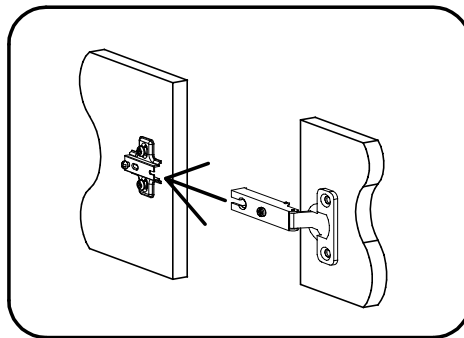
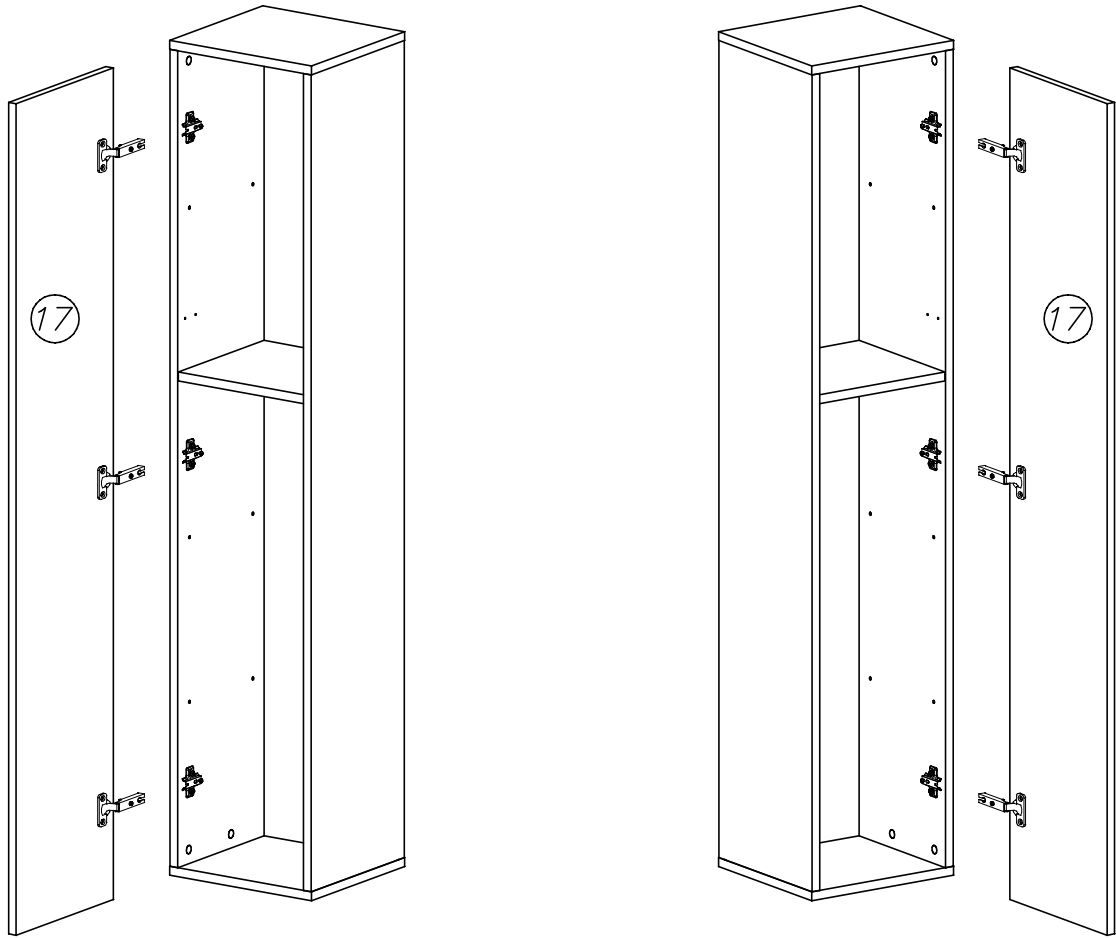


L13

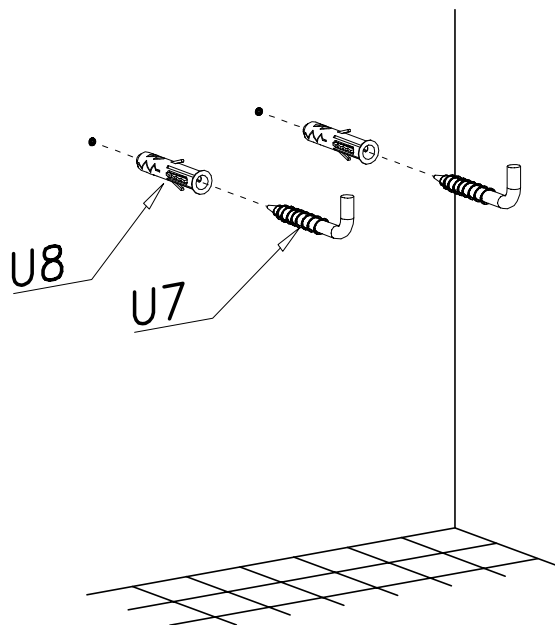
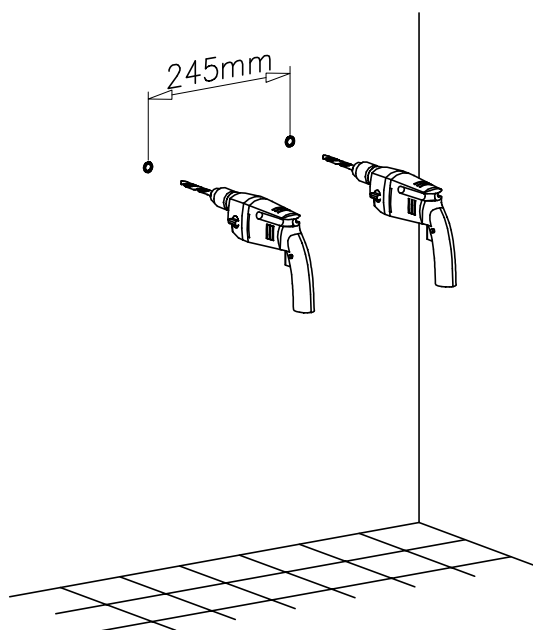
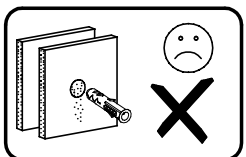
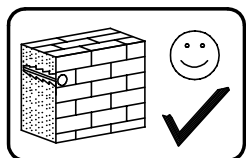
VIII



IX



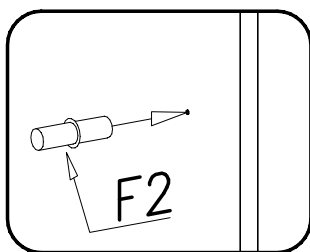
X



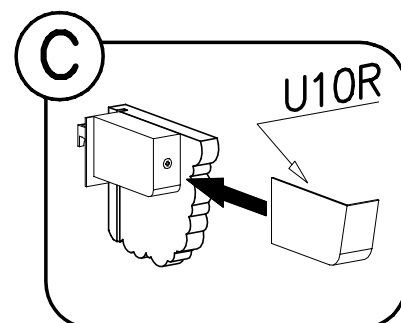
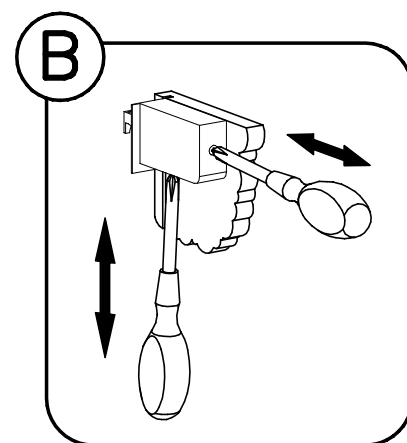
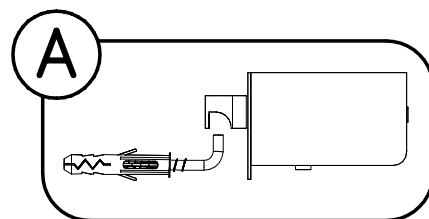
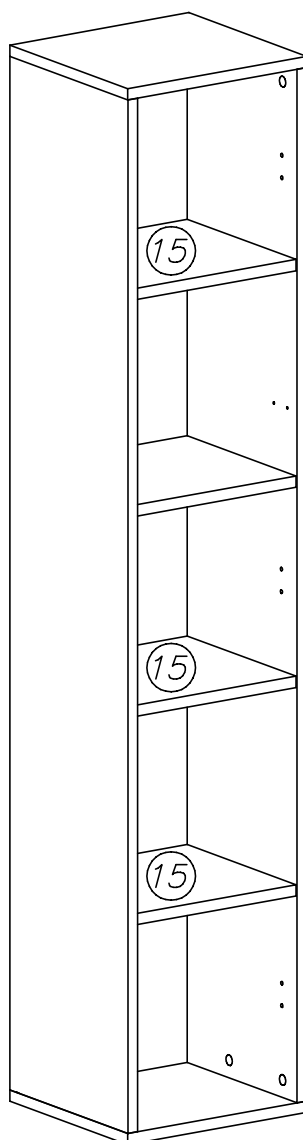
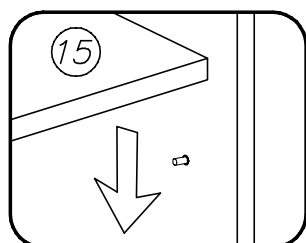
XI



1



2





Uwaga • Upozornění • Achtung • Attention • Caution • Figyelem
 Attenzione • Opgelet • Внимание • Atenție • Upozornenie • Dikkat

