

Installation sanleitung Installation Instruction Installation d'installation

Artikelnummer: WF315715/WF315176



Points de collecte sur www.quefairedemesdechets.fr
Privilégiez la réparation ou le don de votre appareil !

DE: Unser Produkt wird Ihnen in (2) Paketen geliefert. Die Lieferzeiten dieser (2) Pakete können abweichen, bitte haben Sie etwas Geduld und vielen Dank für Ihr Verständnis.

UK: Our product will be delivered to you in (2) packages. The delivery times of these (2) packages may differ, please be patient and thank you for your understanding.

FR: Notre produit vous sera livré en (2) colis. Les délais de livraison de ces (2) colis peuvent différer, soyez patient et merci pour votre compréhension.

English

IMPORTANT ! KEEP FOR FUTURE REFERENCE : READ CAREFULLY

- To be assembled by an adult. Assembly must be checked by an adult before use
- WARNING ! Keep all screws, small parts and plastic bags out of the reach of children
- Properly identify all parts before assembling
- Never use your item if any of its parts are broken or missing
- Should any problems arise, please contact our After Sales Service
- Manufacturer's instructions shall be followed at all times
- Care: Clean with a soft, dry cloth. In case of larger stains, carefully rub with a slightly damp, nonabrasive sponge
- Avoid the risk of fire by not placing furniture near sources of ignition or hot items
- Do not jump on the bed

Deutsch

WICHTIG ! ZUM SPÄTEREN NACHSCHLAGEN AUFBEWAHREN: SORGFÄLTIG LESEN

- Muss von einem Erwachsenen zusammengebaut werden. Der Zusammenbau muss vor dem Gebrauch von einem Erwachsenen überprüft werden
- WARNUNG! Bewahren Sie alle Schrauben, Kleinteile und Plastikbeutel außerhalb der Reichweite von Kindern auf
- Kennzeichnen Sie vor dem Zusammenbau alle Teile richtig
- Benutzen Sie Ihren Artikel niemals, wenn Teile gebrochen sind oder fehlen
- Sollten Probleme auftreten, wenden Sie sich bitte an unseren Kundendienst
- Die Anweisungen des Herstellers sind stets zu befolgen
- Pflege: Mit einem weichen, trockenen Tuch reinigen. Bei größeren Flecken vorsichtig mit einem leicht feuchten, nicht scheuernden Schwamm abreiben. nicht scheuernden Schwamm
- Vermeiden Sie die Gefahr eines Brandes, indem Sie die Möbel nicht in der Nähe von Zündquellen oder heißen Gegenständen aufstellen
- Nicht auf das Bett springen

Français

IMPORTANT ! CONSERVER POUR RÉFÉRENCE ULTÉRIEURE : LIRE ATTENTIVEMENT

- Le montage doit être effectué par un adulte. Le montage doit être vérifié par un adulte avant Utilisation
- ATTENTION ! Tenir les vis, les petites pièces et les sachets en plastique hors de portée des enfants
- Identifiez correctement toutes les pièces avant de les assembler
- N'utilisez jamais votre article si l'une de ses pièces est cassée ou manquante
- En cas de problème, veuillez contacter notre service après-vente
- Les instructions du fabricant doivent être respectées à tout moment
- Entretien : nettoyer avec un chiffon doux et sec. En cas de taches plus importantes, frotter soigneusement avec une éponge non abrasive légèrement humide. légèrement humide et non Abrasive
- Évitez les risques d'incendie en ne plaçant pas les meubles à proximité de sources d'inflammation ou d'objets chauds
- Ne pas sauter sur le lit

Italiano

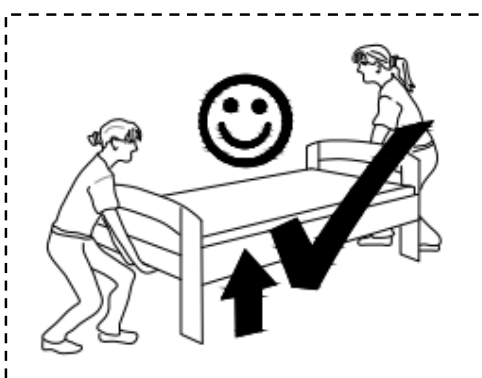
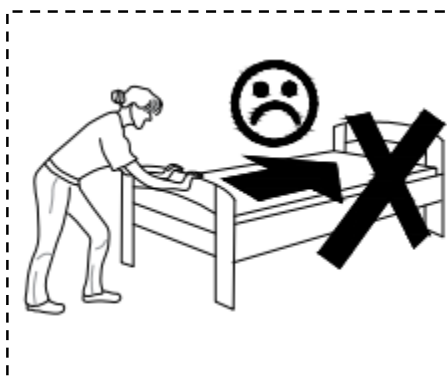
IMPORTANTE! CONSERVARE PER RIFERIMENTO FUTURO: LEGGERE ATTENTAMENTE

- Deve essere assemblato da un adulto. L'assemblaggio deve essere controllato da un adulto prima dell'uso
- **ATTENZIONE!** Tenere tutte le viti, le piccole parti e i sacchetti di plastica fuori dalla portata dei bambini
- Identificare correttamente tutte le parti prima dell'assemblaggio
- Non utilizzare mai l'articolo se alcune parti sono rotte o mancanti
- In caso di problemi, si prega di contattare il nostro Servizio Post Vendita
- Le istruzioni del produttore devono essere sempre seguite
- Cura: Pulire con un panno morbido e asciutto. In caso di macchie più estese, strofinare accuratamente con una spugna leggermente umida e nonspugna leggermente umida e non abrasiva
- Evitare il rischio di incendio, non collocando i mobili vicino a fonti di accensione o a oggetti caldi
- Non saltare sul letto

Español

¡IMPORTANTE ! CONSÉRVELO PARA FUTURAS CONSULTAS: LEA ATENTAMENTE

- Debe ser montado por un adulto. El montaje debe ser comprobado por un adulto antes del uso
- **ADVERTENCIA** Mantenga todos los tornillos, piezas pequeñas y bolsas de plástico fuera del alcance de los niños.
- Identifique correctamente todas las piezas antes de montarlas
- Nunca utilice su artículo si alguna de sus piezas está rota o falta
- Si surge algún problema, póngase en contacto con nuestro Servicio Postventa
- Las instrucciones del fabricante deben seguirse en todo momento
- Cuidado: Limpiar con un paño suave y seco. En caso de manchas más grandes, frote cuidadosamente con una esponja no abrasiva ligeramente humedecida.
- Evite el riesgo de incendio no colocando los muebles cerca de fuentes de ignición u objetos calientes.
- No saltar sobre la cama.



DE: Vor dem Einbau die Schrauben in die Löcher stecken und festziehen, aber nicht bis 100%, 70% bis 80% anziehen reicht aus. Schließlich, nachdem alle Schrauben installiert sind, ziehen Sie alle Schrauben auf 100%.

Wenn Sie auf diese Probleme stoßen, wie z. B. Fehlausrichtung der Löcher oder Unfähigkeit, bestimmte Teile zu installieren, überprüfen Sie bitte, ob die Schrauben korrekt verwendet werden und passen Sie die Dichtigkeit der Schrauben an.

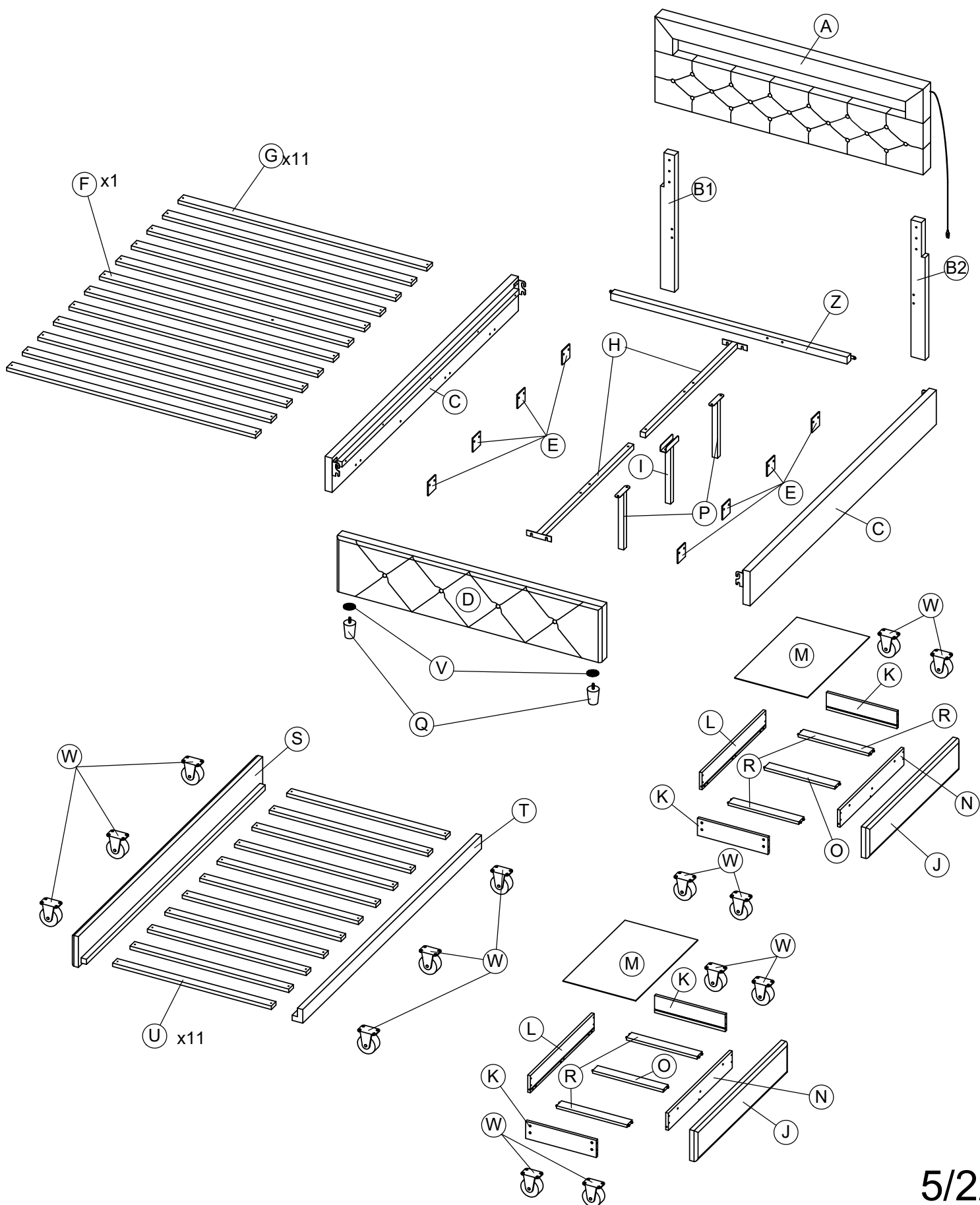
UK: Before installation, insert the screws into the holes and tighten them, but do not tighten them to 100%, 70% to 80% is sufficient. Finally, after all screws are installed, tighten all screws to 100%.

If you encounter these issues, such as if the holes cannot be aligned or some parts cannot be installed, please check if the screws are used correctly and adjust the tightness of the screws.

FR: Insérer la vis dans le trou avant la fin de l'assemblage, serrer la vis, mais ne pas serrer à 100%, 70% ~ 80% est correct. Enfin, une fois que toutes les vis sont bien serrées, toutes les vis sont serrées à 100%.

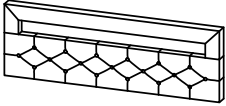
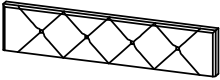
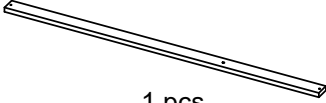
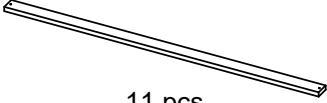
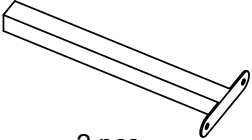
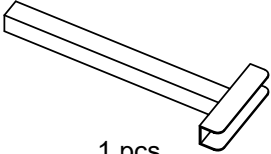

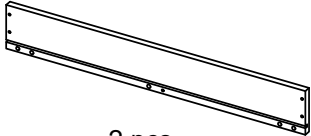
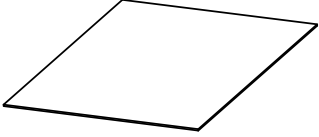
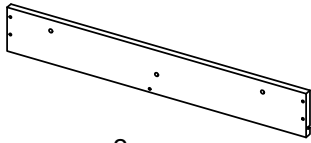
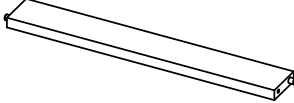
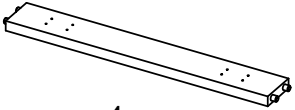
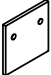

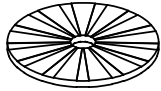










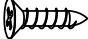
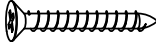
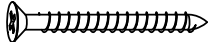
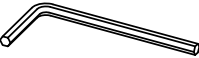
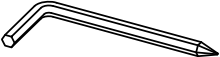


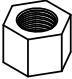

Si vous rencontrez ces problèmes, par exemple si les trous ne sont pas alignés ou si certaines pièces ne peuvent pas être montées, vérifiez que les vis sont utilisées correctement et Ajustez leur serrage.

MONTAGEANLEITUNG



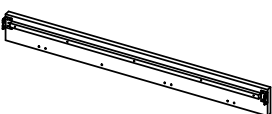



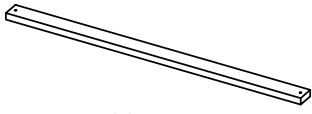
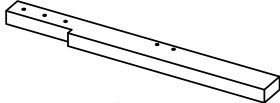
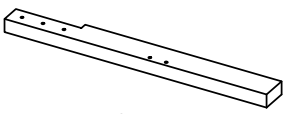
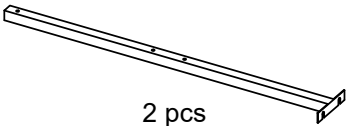

EINE TEILLISTE
DEN HARDWARE KRAM









WF315715

<p>A</p>  <p>1 pc</p>	<p>D</p>  <p>1 pc</p>	<p>F</p>  <p>1 pcs</p>	<p>G</p>  <p>11 pcs</p>
<p>P</p>  <p>2 pcs</p>	<p>I</p>  <p>1 pcs</p>	<p>K</p>  <p>4 pcs</p>	<p>L</p>  <p>2 pcs</p>
<p>M</p>  <p>2 pcs</p>	<p>N</p>  <p>2 pcs</p>	<p>O</p>  <p>2 pcs</p>	<p>R</p>  <p>4 pcs</p>
<p>E</p>  <p>8 pcs</p>	<p>Q</p>  <p>2 pcs</p>	<p>V</p>  <p>2 pcs</p>	<p>W</p>  <p>14 pcs</p>
<p>1</p>  <p>M6x30mm 6 pcs</p>	<p>2</p>  <p>M6x40mm 20 pcs</p>	<p>3</p>  <p>M6x50mm 1 pc</p>	<p>4</p>  <p>M6x18x2mm 39 pcs</p>
<p>5</p>  <p>M8x30mm 4 pcs</p>	<p>6</p>  <p>M8x40mm 4 pcs</p>	<p>7</p>  <p>M8x50mm 6 pcs</p>	<p>8</p>  <p>M8mm 14 pcs</p>
<p>9</p>  <p>M8x22x2mm 14 pcs</p>	<p>10</p>  <p>M4x16mm 56 pcs</p>	<p>11</p>  <p>M4x30mm 46 pcs</p>	<p>12</p>  <p>M4x40mm 20 pcs</p>
<p>13</p>  <p>4mm 1 pc</p>	<p>14</p>  <p>5mm 1 pc</p>	<p>15</p>  <p>M6x25mm 6 pcs</p>	<p>16</p>  <p>M6x35mm 2 pcs</p>
<p>17</p>  <p>M6mm 4 pcs</p>	<p>18</p>  <p>M6mm 1 pc</p>		

EINE TEILLISTE

WF315176

<p>C</p>  <p>2 pcs</p>	<p>J</p>  <p>2 pcs</p>	<p>S</p>  <p>1 pc</p>	<p>T</p>  <p>1 pc</p>
<p>U</p>  <p>11 pcs</p>	<p>B1</p>  <p>1 pc</p>	<p>B2</p>  <p>1 pc</p>	<p>H</p>  <p>2 pcs</p>
<p>Z</p>  <p>1 pc</p>			

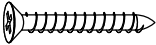
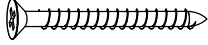
<p>1</p>  <p>M6x30mm 6 pcs</p>	<p>2</p>  <p>M6x40mm 20 pcs</p>	<p>3</p>  <p>M6x50mm 1 pc</p>	<p>15</p>  <p>M6x25mm 6 pcs</p>
<p>16</p>  <p>M6x35mm 2 pcs</p>			
<p>5</p>  <p>M8x30mm 4 pcs</p>	<p>6</p>  <p>M8x40mm 4 pcs</p>	<p>7</p>  <p>M8x50mm 6 pcs</p>	

DE:Bitte beachten Sie, dass die Formen der Schrauben 1 und 2 und 3 und 5 und 6 und 7 und 15 und 16 ähnlich sind.

Bitte installieren Sie entsprechend der Anleitung und unterscheiden Sie sie!

UK:Please note that the shapes of screws 1 and 2 and 3 and 5 and 6 and 7 and 15 and 16 are similar. Please install according to the instructions and distinguish them!

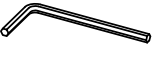
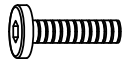



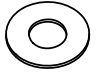
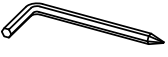
FR:Notez que les vis 1 et 2 et 3 et 5 et 6 et 7 et 15 et 16 ont des formes similaires. Veuillez les installer en suivant les instructions pour les séparer!

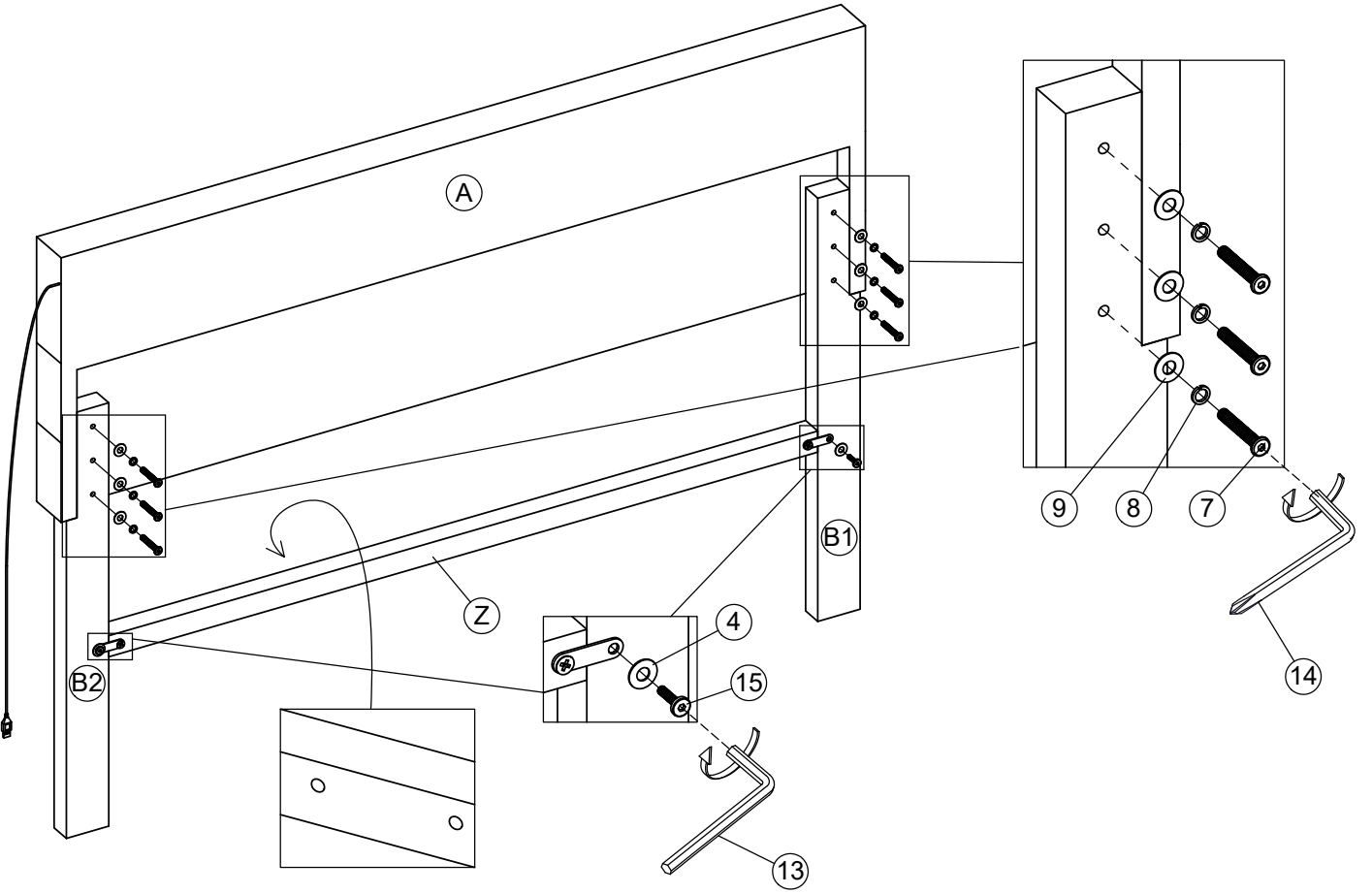
<p>11</p>  <p>M4x30mm 46 pcs</p>	<p>12</p>  <p>M4x40mm 20 pcs</p>
---	---





DE:Bitte beachten Sie, dass die Formen der Schrauben 11 und 12 ähnlich sind. Bitte installieren Sie entsprechend der Anleitung und unterscheiden Sie sie!

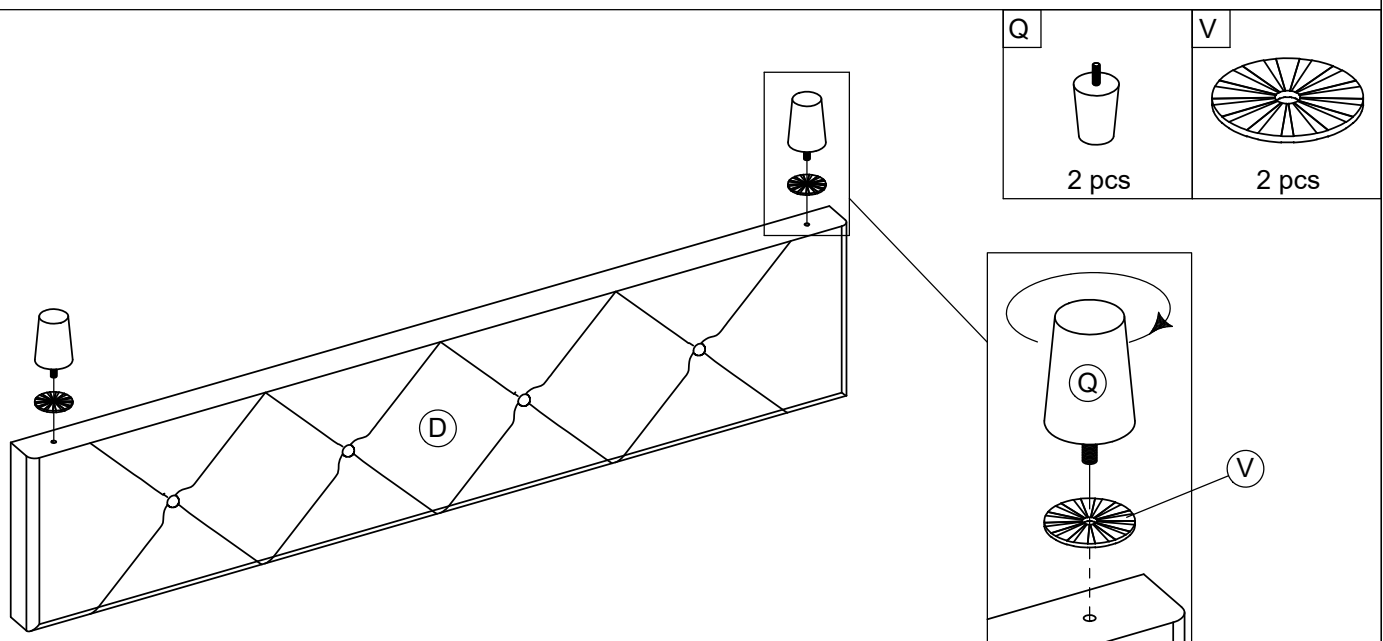
UK:Please note that the shapes of screws 11 and 12 are similar. Please install according to the instructions and distinguish them!


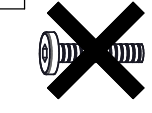
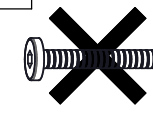



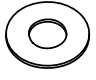
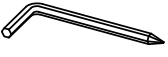
FR:Notez que les vis 11 et 12 ont des formes similaires. Veuillez les installer en suivant les instructions pour les séparer!

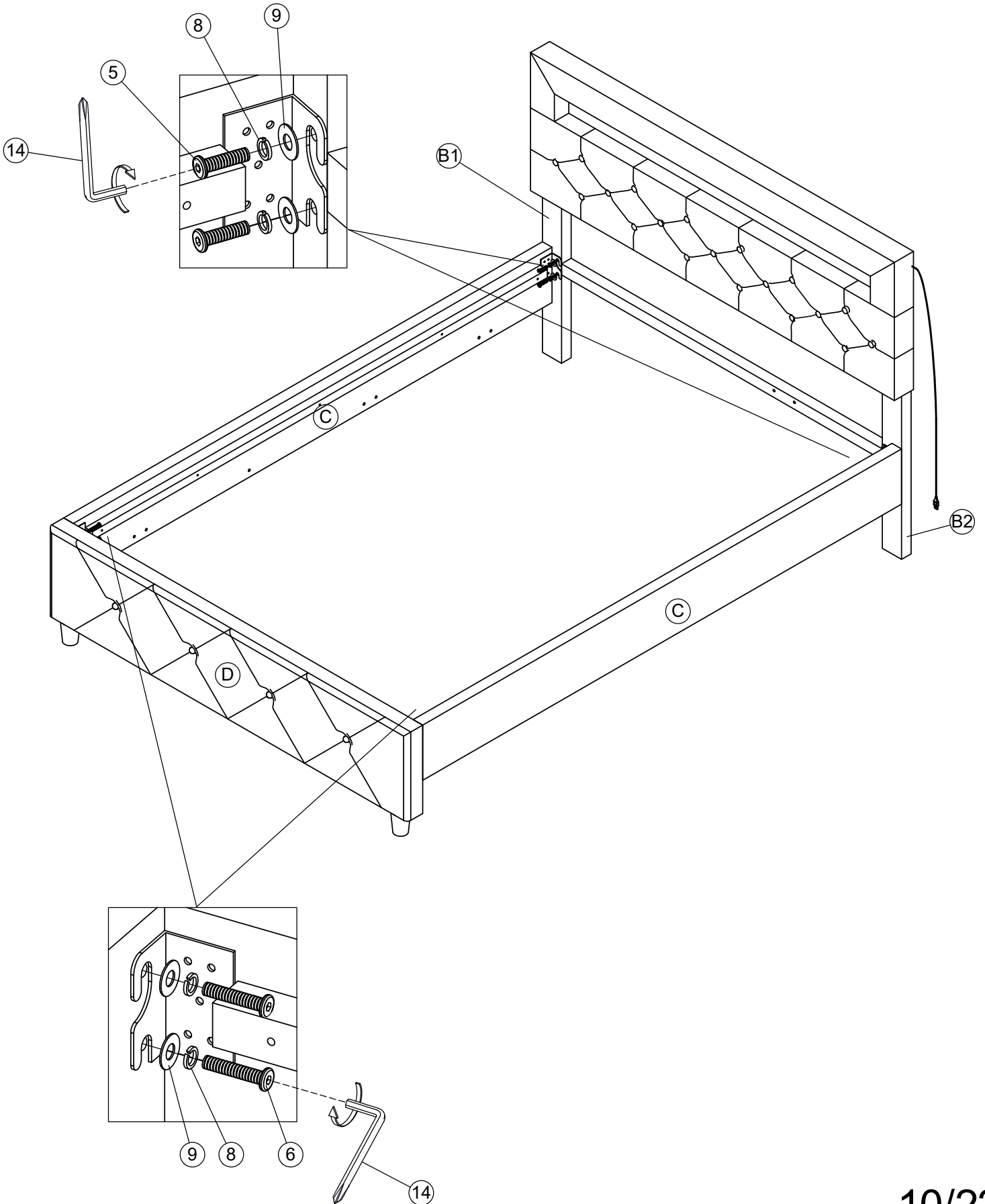
13	15	4	7	8	9	14
						
4mm 1 pc	M6x25mm 2 pcs	M6x18x2mm 2 pcs	M8x50mm 6 pcs	M8mm 6 pcs	M8x22x2mm 6 pcs	5mm 1 pc

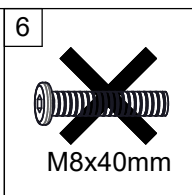
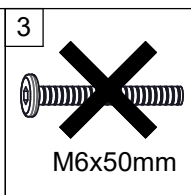
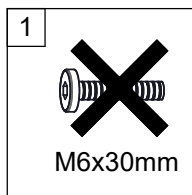
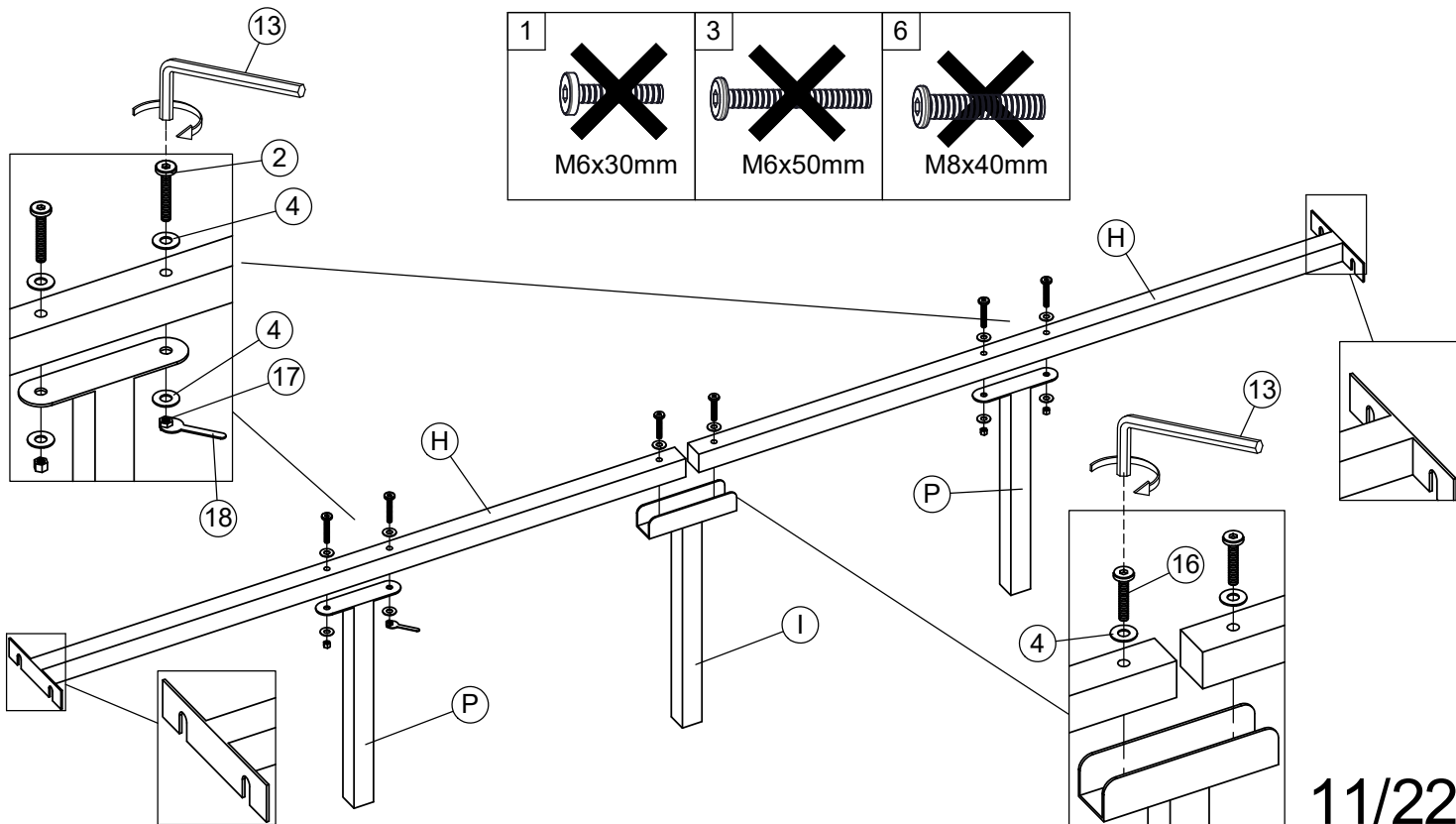
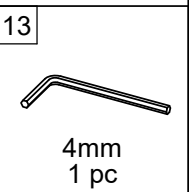
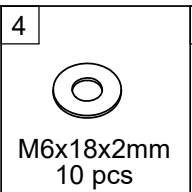
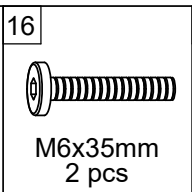
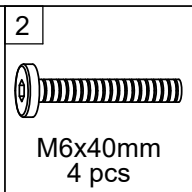
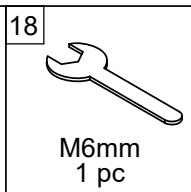
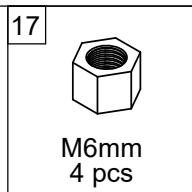
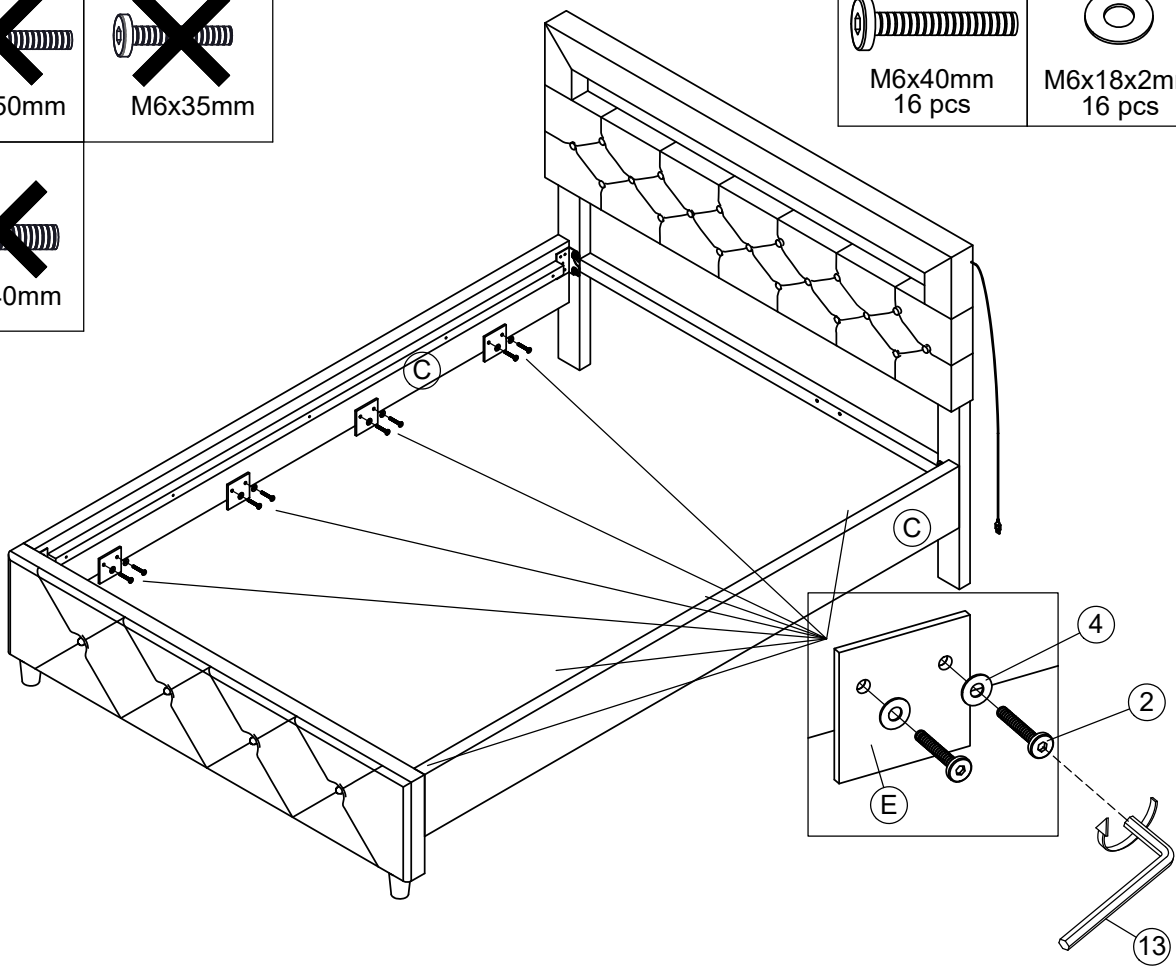
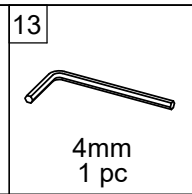
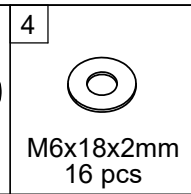
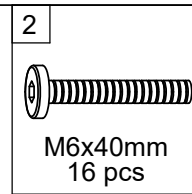
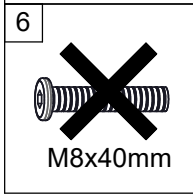
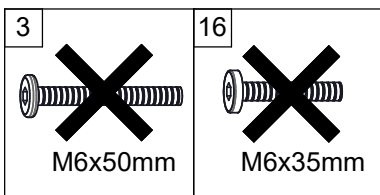



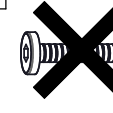
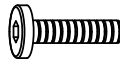

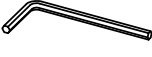
5	2	1	6
			
M8x30mm	M6x40mm	M6x30mm	M8x40mm

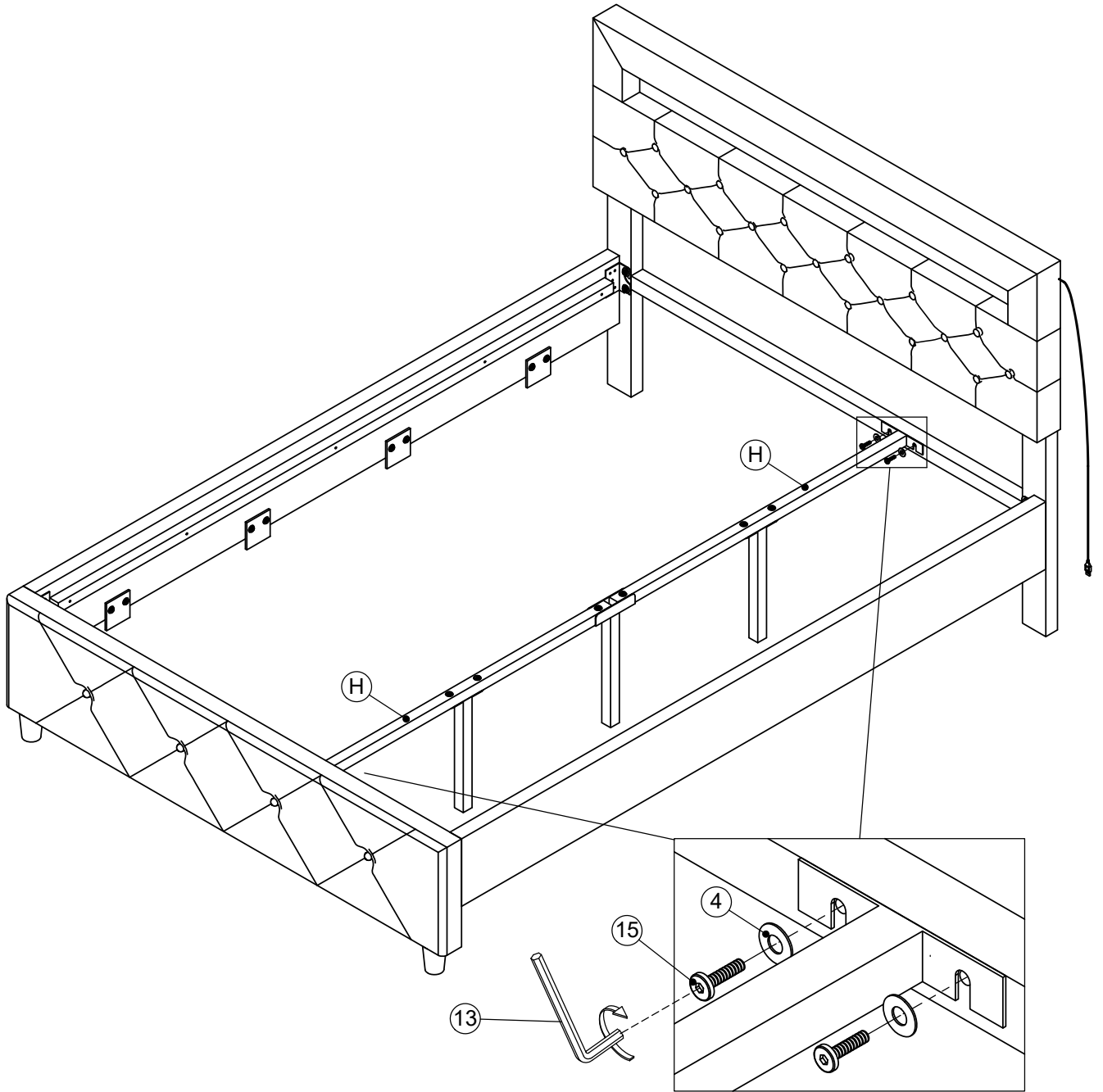




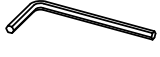
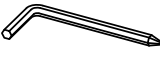
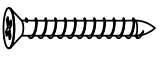
<p>7</p>  <p>M8x50mm</p>	<p>1</p>  <p>M6x30mm</p>	<p>2</p>  <p>M6x40mm</p>	<p>5</p>  <p>M8x30mm 4 pcs</p>	<p>6</p>  <p>M8x40mm 4 pcs</p>	<p>8</p>  <p>M8mm 8 pcs</p>	<p>9</p>  <p>M8x22x2mm 8 pcs</p>	<p>14</p>  <p>5mm 1 pc</p>
---	--	--	---	---	--	--	---

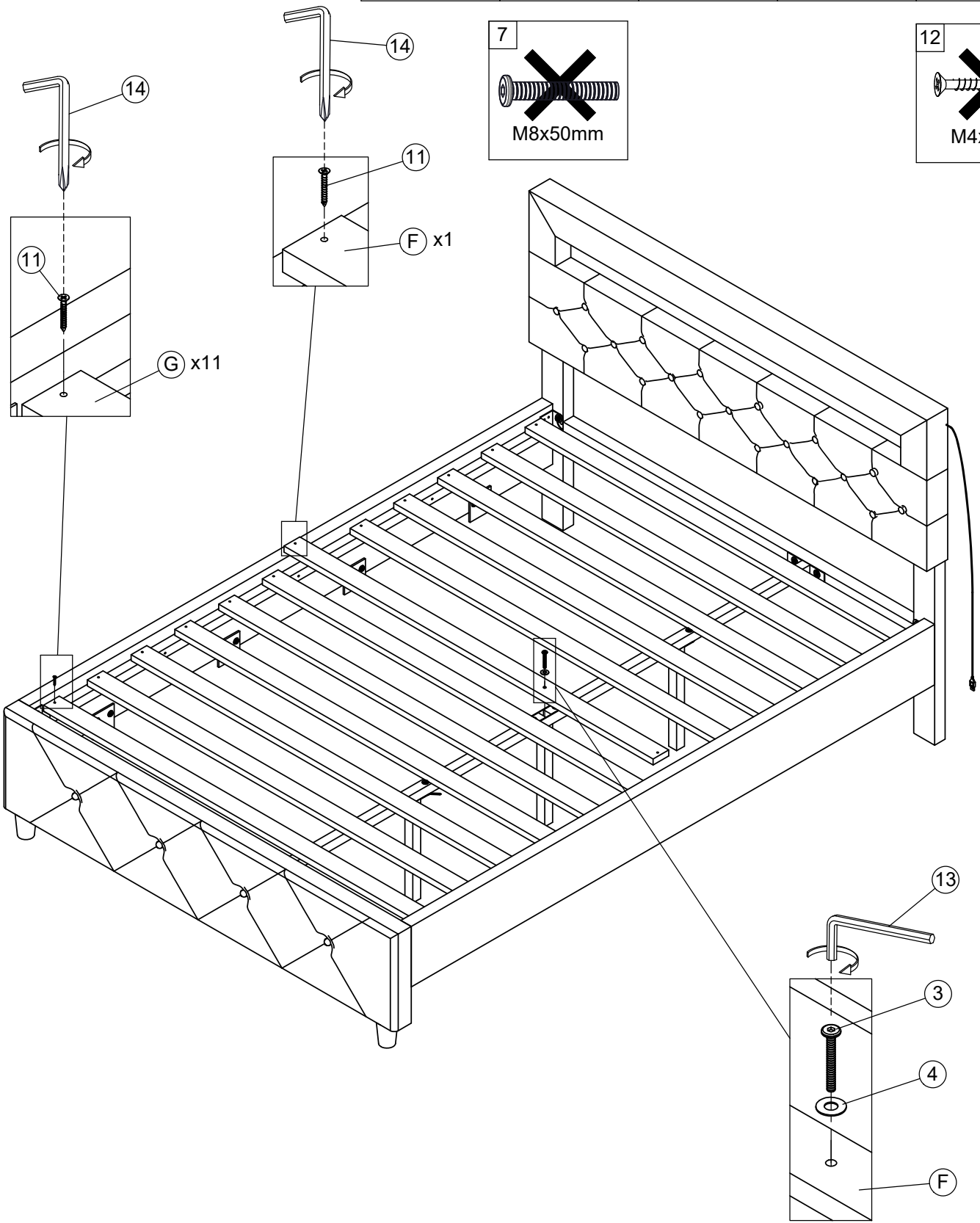
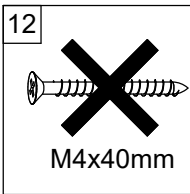
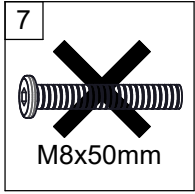




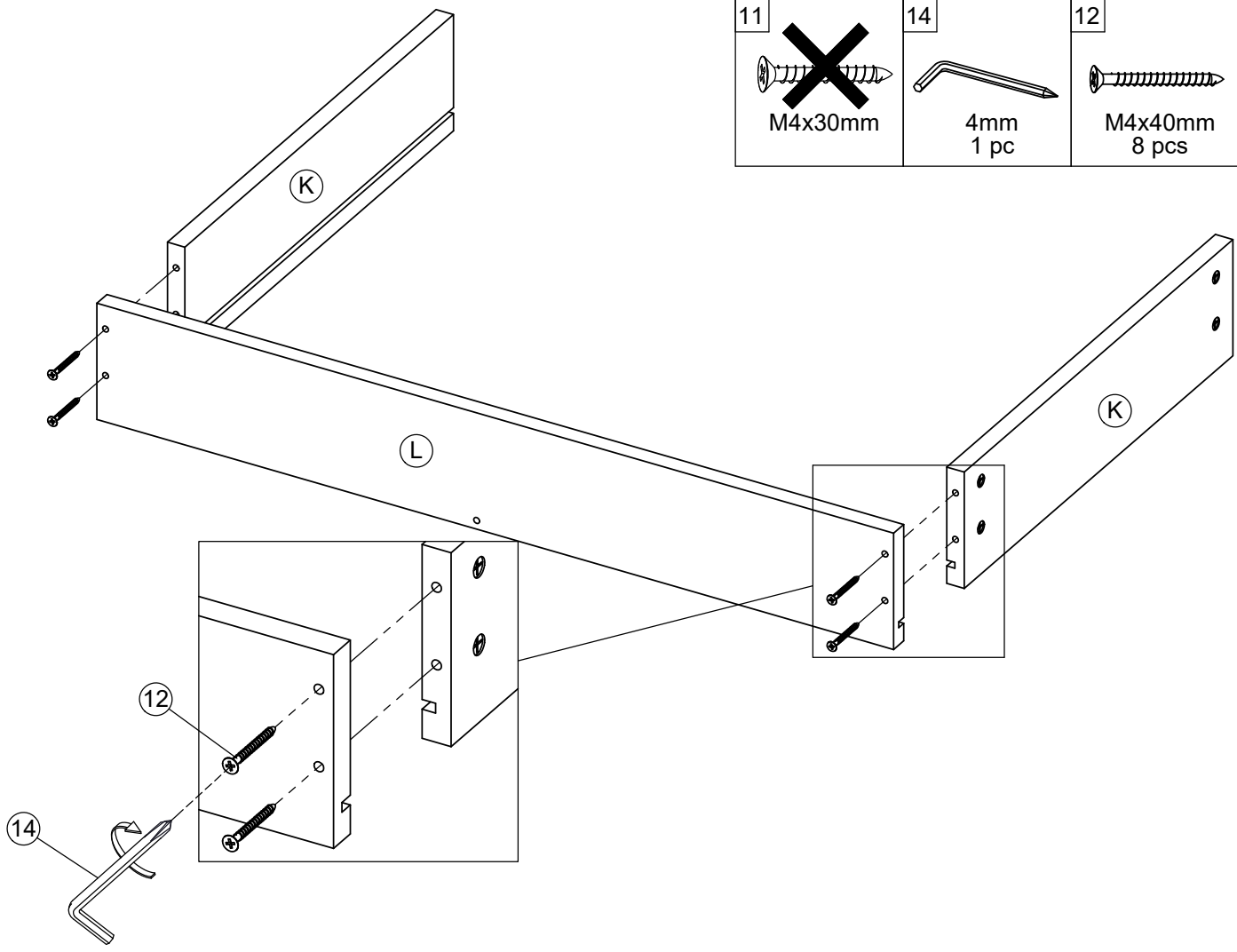
<p>5</p>  <p>M8x30mm</p>	<p>1</p>  <p>M6x30mm</p>	<p>15</p>  <p>M6x25mm 4 pcs</p>	<p>4</p>  <p>M6x18x2mm 4 pcs</p>	<p>13</p>  <p>4mm 1 pc</p>
--	--	--	---	---



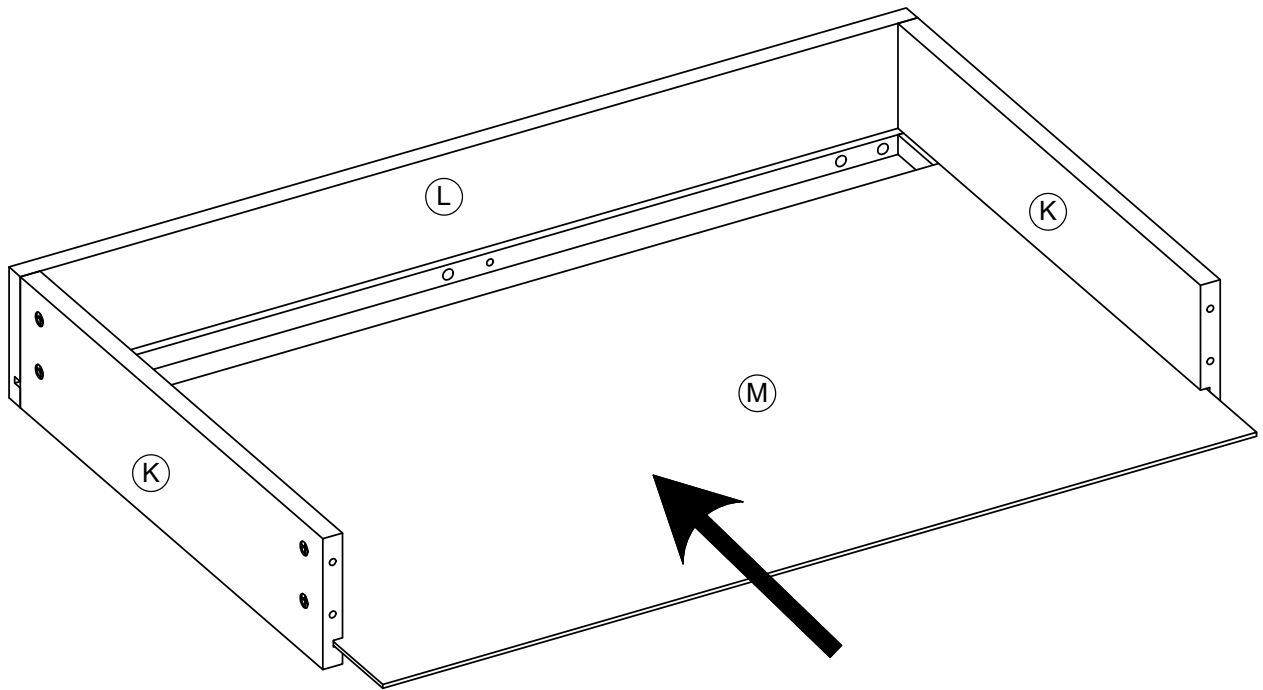
<p>3</p>  <p>M6x50mm 1 pc</p>	<p>4</p>  <p>M6x18x2mm 1 pc</p>	<p>13</p>  <p>4mm 1 pc</p>	<p>14</p>  <p>5mm 1 pc</p>	<p>11</p>  <p>M4x30mm 24 pcs</p>
--	--	---	---	---



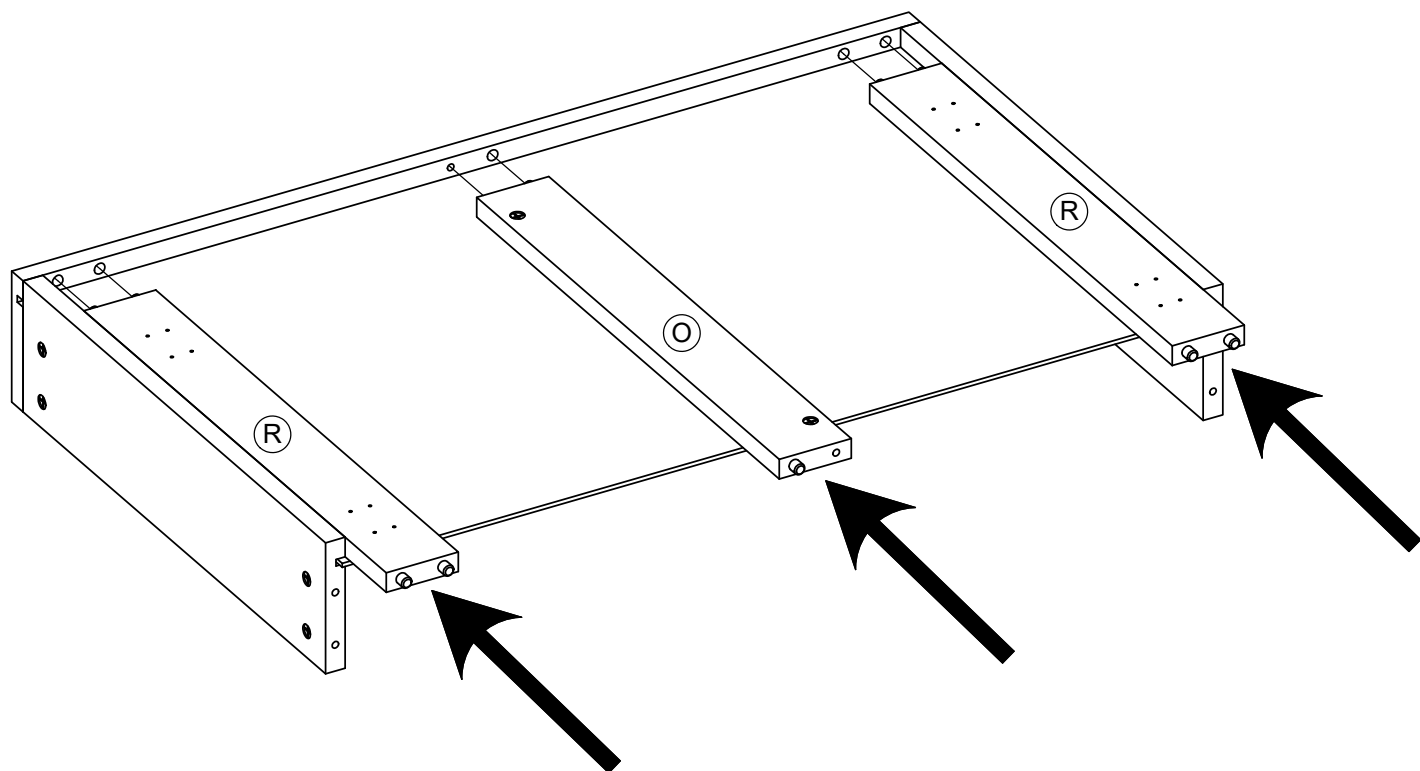
x2



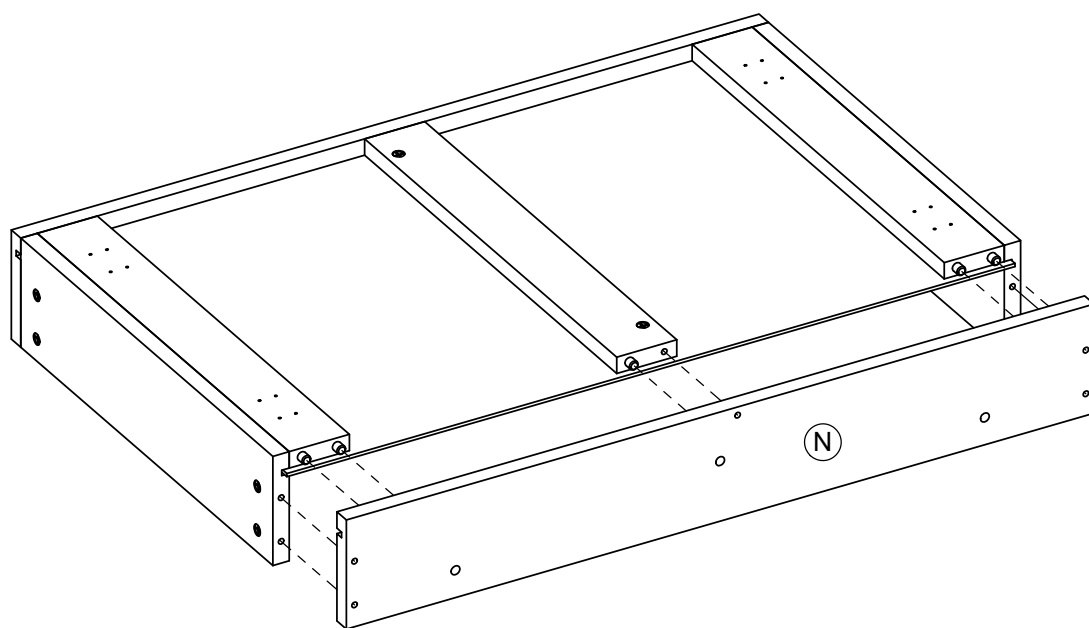
x2




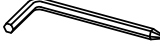
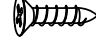
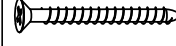
x2

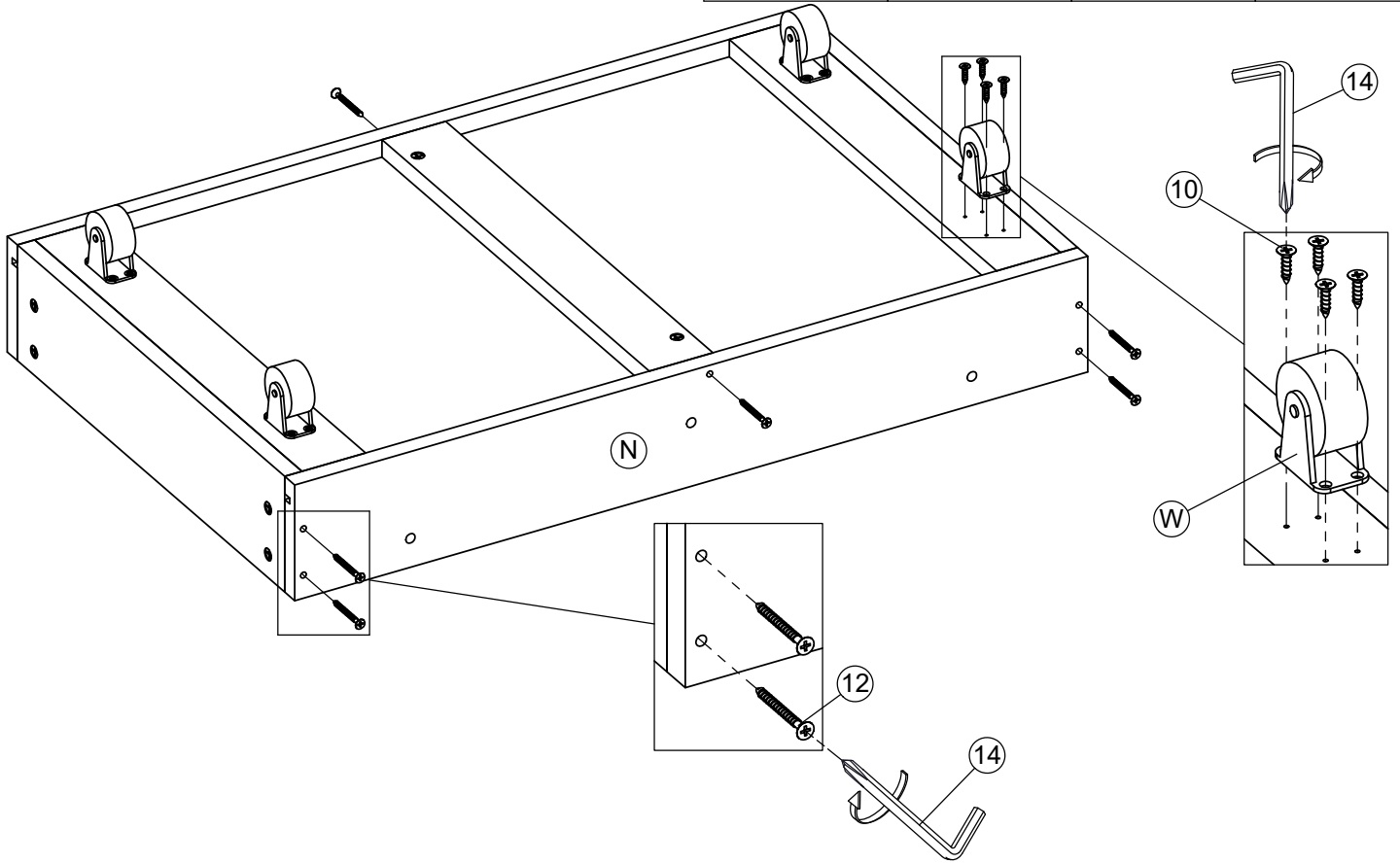


x2



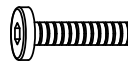

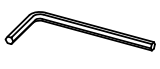


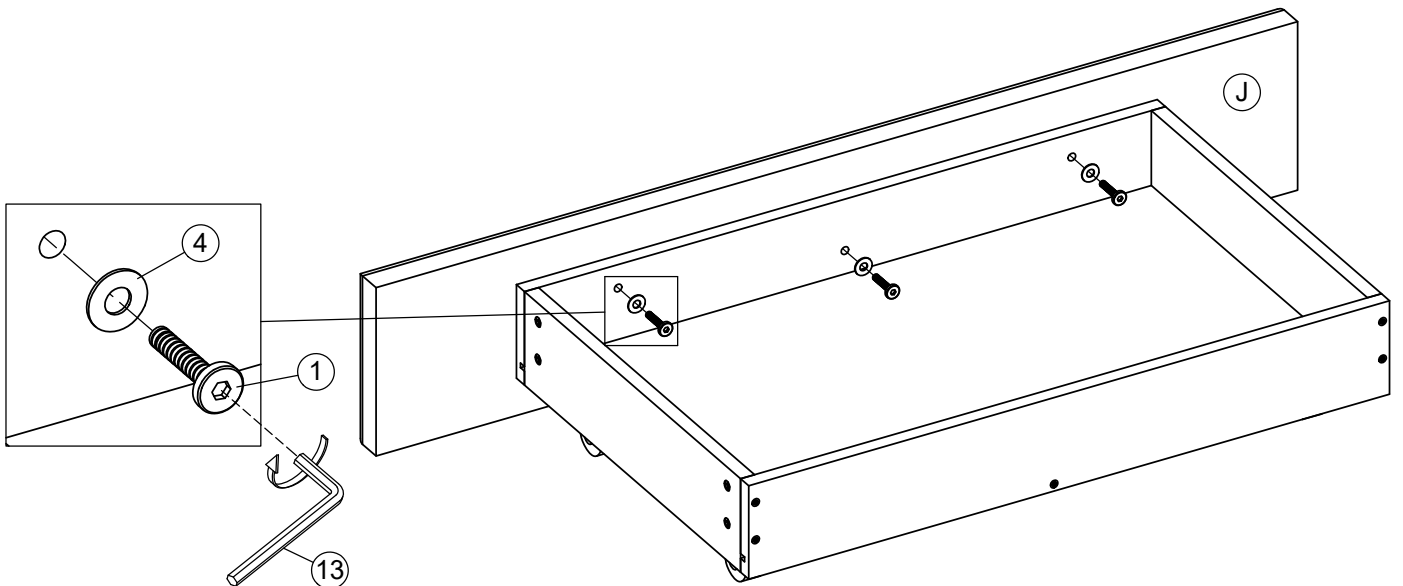
x2

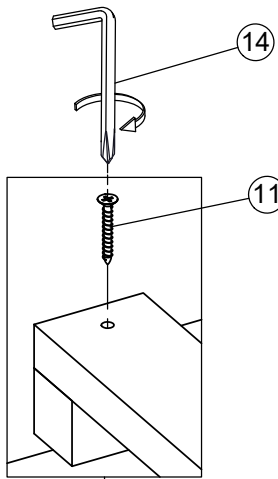
11	 M4x30mm	14	 4mm 1 pc	10	 M4x16mm 32 pcs	12	 M4x40mm 12 pcs
----	---	----	--	----	--	----	--



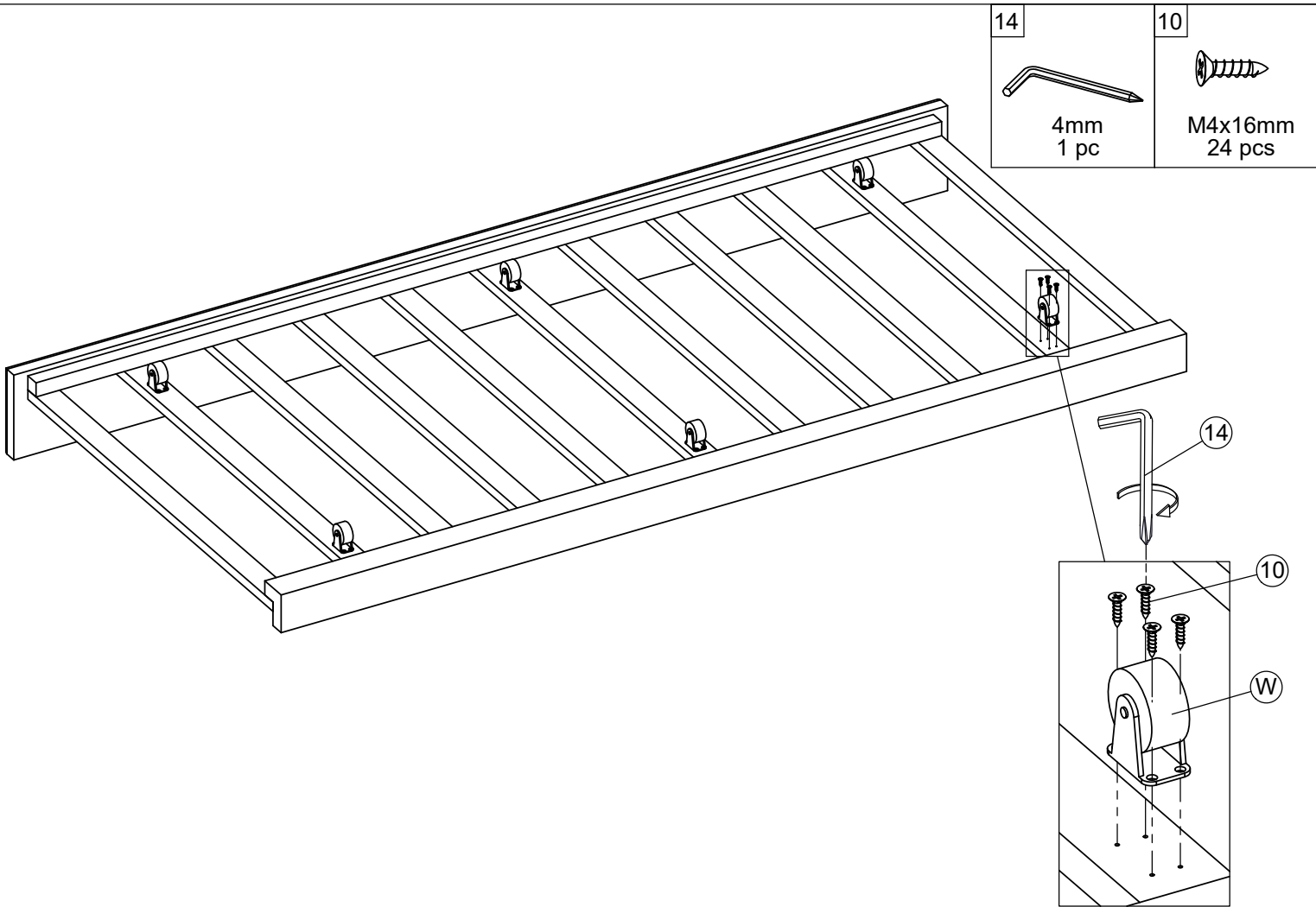
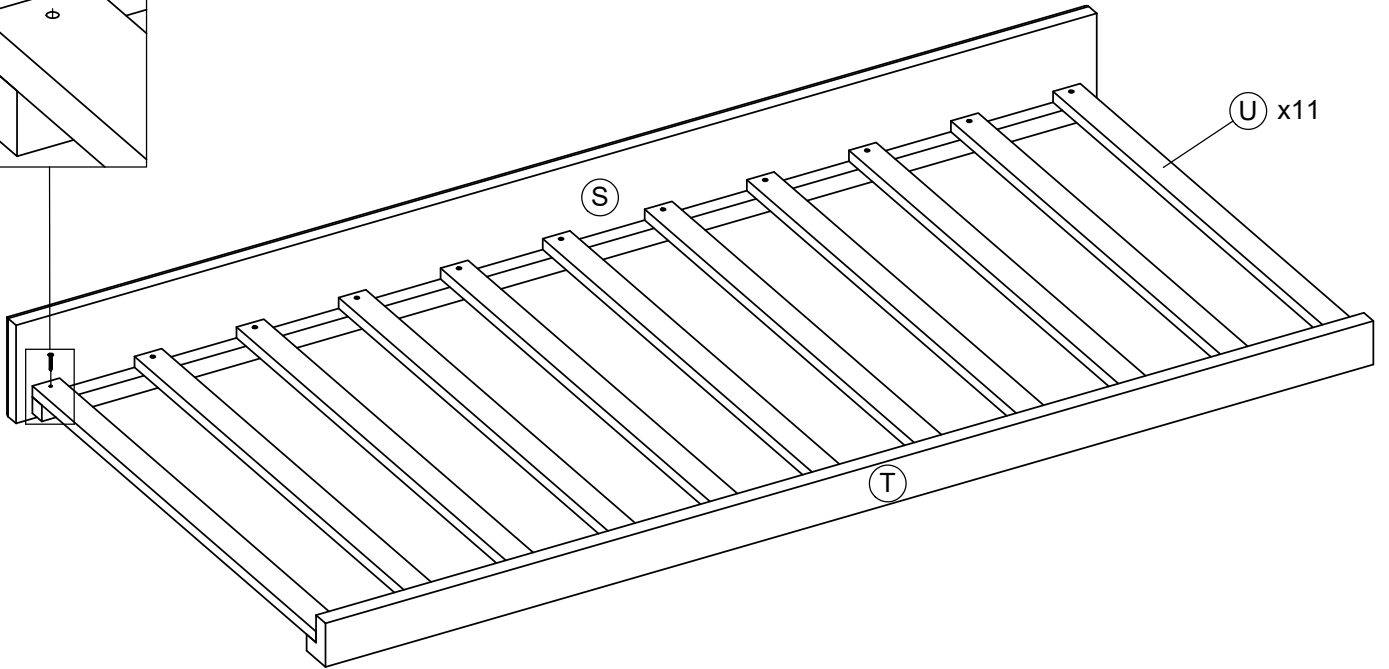
x2

5	 M8x30mm	16	 M6x35mm	1	 M6x30mm 6 pcs	4	 M6x18x2mm 6 pcs	13	 4mm 1 pc
---	--	----	--	---	---	---	---	----	--



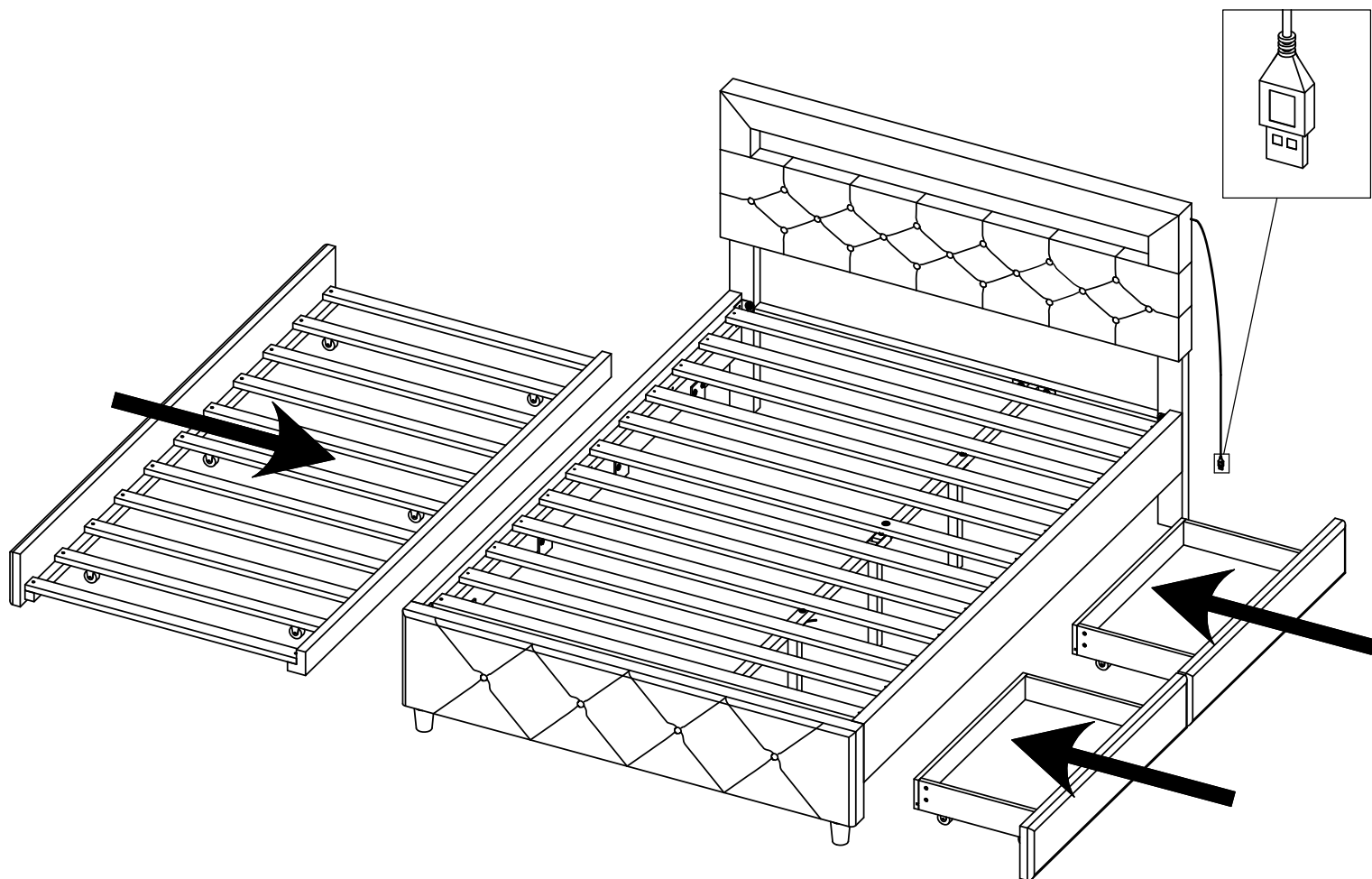


<p>12</p> <p>M4x40mm</p>	<p>14</p> <p>4mm 1 pc</p>	<p>11</p> <p>M4x30mm 22 pcs</p>
--------------------------	-------------------------------	-------------------------------------



<p>14</p> <p>4mm 1 pc</p>	<p>10</p> <p>M4x16mm 24 pcs</p>
-------------------------------	-------------------------------------

EN:Scan to download App control the Led light.
DE:Scannen, um die App zum Steuern desLED-Lichts herunterzuladen
FR:Scanner pour téléchargerApp contrôler la lumière Led.



LotusLantern APP Manual

1. Software Overview

1.1 Overview

LotusLantern is a mobile APP to control LED strip by both IOS and Android phones. The traditional control ways like infrared, 433MHz, 2.4GHz and others old wired ways will be replaced by mobile phone control way with convenient, powerful and scalable features.

Through this mobile APP, you can not only control the color, brightness and color temperature of the LED strips but also set up all kinds of fancy flash mode; Also this APP can change the light of the LED strip according to the rhythm of the music. This APP can set and control several LED strips through Bluetooth and the operation is very simple, easy to learn and easy to use.

1.2 Features

- Adjust color LED strips with 60,000 colors to change color and brightness and adjust monochrome LED strips to change brightness and color temperature
- Play music or turn on a sound playback device, you can let the light change the color and brightness with the rhythm of music, the music rhythm beautiful
- Inside multiple setting mode for color change and control LED strips without mobile
- Long distance control with omni-directional antenna, and many-to-many group control mode
- Once the connection is successful, connect automatically next time

1.3 Performance

LotusLantern APP is easy for use as well as great compatible with all kinds of smart phones; After the actual test of hundreds of mobile phones verification, the compatibility is above 95% of mobile phones in the market. APP is small and convenient, it consumes less system resources, so the requirements of the mobile configuration are low. Control delay is small, the operation feels good, light control is smooth with people's visual sense.

2. Operating Environment

This APP program requires phones of system above Android 4.3 and iOS 8.0. Mobile phone configuration is not limited.

3. Instructions

Note: Android version and iOS version download and use the same method, here in the Android version as an example.

3.1 APP Download

Scan the QR code

iOS and Android systems can download the "LotusLantern" APP by scanning the QR code. Open the browser or other tools with "Scan QR code" function, scan the "LotusLantern" QR code as below:



Short Press:

1. **Cycle through seven static colors:** The light cycles through seven predefined static colors.
2. **Three-color jump mode:** The light dynamically jumps between three specific colors.
3. **Sound control mode:** The light responds to sound input, changing colors or patterns.
4. **Power off:** The light turns off.
5. **Loop:** The sequence repeats in a continuous loop.

Long Press (3 seconds):

1. **First long press (3 seconds):** Activates the radar function (LED flashes once to indicate activation).
2. **Second long press (3 seconds):** Deactivates the radar function (LED flashes three times to indicate deactivation).
3. **Toggle in a loop:** Each long press toggles between activating and deactivating the radar function.

Radar Function:

1. **Automatic turn-off:** If a person moves away and no motion is detected for 60 seconds, the light automatically turns off.
 2. **Automatic turn-on:** When a person comes within a 3-meter range, the light automatically turns on via motion detection.
- This functionality provides a versatile and user-friendly lighting system with both manual and automatic control options.

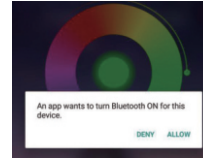
1

3.2 App Operation

(1) Click on the LotusLantern APP icon, enter the APP page:



(2) After entering the APP interface, if Bluetooth is not enabled, "an application wants to enable the Bluetooth function of this device." Click [Allow]



(3) switch to color and brightness interface:



2

(4) click to show the lamp list, view lamp list:

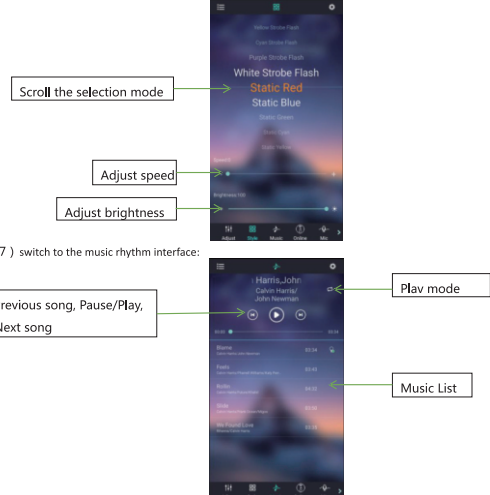


(5) Click to RGB manual adjustment view:



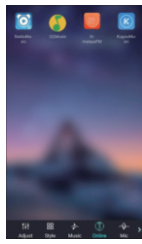
3

(6) switch to the mode interface:



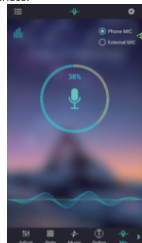
4

(8) Switch to the online music interface:



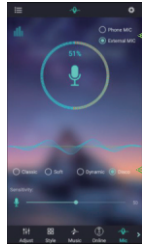
(9) Switch to the microphone rhythm interface:

Music rhythm through cell phone microphone



Switch phone microphone and external microphone

Music rhythm through the microphone on the product



Switch phone microphone and external microphone

4-style rhythm

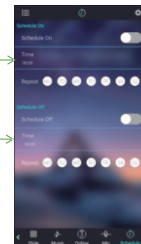
Change the sensitivity of MIC to match the sound

5

(10) Switch to the schedule interface:

Set the time of Light-On

Set the time of Light-Off



Enable or disable the Light-On function

Repeat setting
No selection for once Light-On

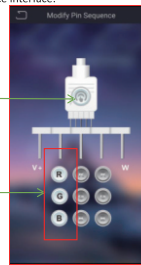
Enable or disable the Light-Off function

Repeat setting
No selection for once Light-Off

(11) Switch to the modify pin sequence interface:

Click to save the new assignment

Change the real color of this line



6

Certificate of Compliance

Certificate No.: AiTSZ-250922105RC09

The EUT described above has been consolidated by us and found in compliance with the council RoHS 2.0 Directive(EU)2015/863and(EU)2017/2102 amending Annex I to Directive2011/65/EU.

Applicant : Dongguan Juyou Industrial Co., LTD
Address : Room 601, Building 1, No. 321, Tangxia Section, Dongshen Road, Tangxia Town, Dongguan City, Guangdong Province
Manufacturer : Dongguan Juyou Industrial Co., LTD
Address : Room 601, Building 1, No. 321, Tangxia Section, Dongshen Road, Tangxia Town, Dongguan City, Guangdong Province
Product : Furniture audio system
Model No. : JY906
Serial Model No. : JY903, F921, F915, F913, F918, F917, F912
Trade mark : Juyou
Test Report No. : AiTSZ-250922105R

Test Standards:

IEC 62321-3-1: 2013
IEC 62321-4:2013+AMD1:2017 CSV
IEC 62321-5:2013
IEC 62321-6:2015
IEC 62321-7-1:2015
IEC 62321-7-2:2017
IEC 62321-8:2017

RoHS

Lizhen

Lizhen

Date: Dec.05, 2025



The statement is based on a single evaluation of one sample of above mentioned products. It does not imply an assessment of the whole production and does not permit the use of the test lab logo.



Guangdong Asia Hongke Test Technology Co.,Ltd.

B1/F, Building 11, Junfeng Industrial Park, Chongqing Road, Heping Community, Fuhai Street, Bao'an District, Shenzhen, Guangdong, China

Tel:+86. 0755-23096763

<https://www.aitek.org.cn>

E-mail:info@aitek.org.cn

CERTIFICATE OF COMPLIANCE

No.: AiTSZ-250710061C-C01

Product: 5050 RGB LED Strip Lights with Bluetooth App Controller
Trade Mark: N/A
Model: LED 5050 RGB
Applicant: Shenzhen Pinchengxin Technology Co., Ltd
Address: 3rd floor, 8 building Yuanling industrial zon, No. 39 Yuanlingcun road,Shiyan street, Bao'an district, Shenzhen
Manufacture: Shenzhen Pinchengxin Technology Co., Ltd
Address: 3rd floor, 8 building Yuanling industrial zon, No. 39 Yuanlingcun road,Shiyan street, Bao'an district, Shenzhen

The test sample of product has passed the test according to requirements of the following standards:

	Standard(s):	Test report(s) No.:
Article 3.1a)	EN IEC 62368-1:2020+A11:2020	AiTSZ-250710061S
	EN 62479: 2010 EN 50663: 2017	AiTSZ-250710061CW3
Article 3.1b)	ETSI EN 301 489-1 V2.2.3 (2019-11) ETSI EN 301 489-17 V3.2.4 (2020-09)	AiTSZ-250710061CW1
Article 3.2)	ETSI EN 300 328 V2.2.2 (2019-07)	AiTSZ-250710061CW2

Based on the voluntary assessment of the product sample and technical file, we confirm that the above-mentioned product meets the essential requirements of the Radio Equipment Directive (RED) 2014/53/EU.

The CE mark as show below can be used, under the responsibility of the manufacturer or the importer, after completion of an EC declaration of conformity and follow the CE mark usage rules.



Approved by/Date:

Sean She

July 23, 2025

Sean She



The statement is based on a single evaluation of one sample of above mentioned products. It does not imply an assessment of the whole production and does not permit the use of the test lab's logo.

Guangdong Asia Hongke Test Technology Limited

B1/F, Building 11, Junfeng Industrial Park, Chongqing Road, Heping Community, Fuhai Street, Bao'an District, Shenzhen, Guangdong, China

www.aitek.org.cn

E-mail:info@aitek.org.cn

