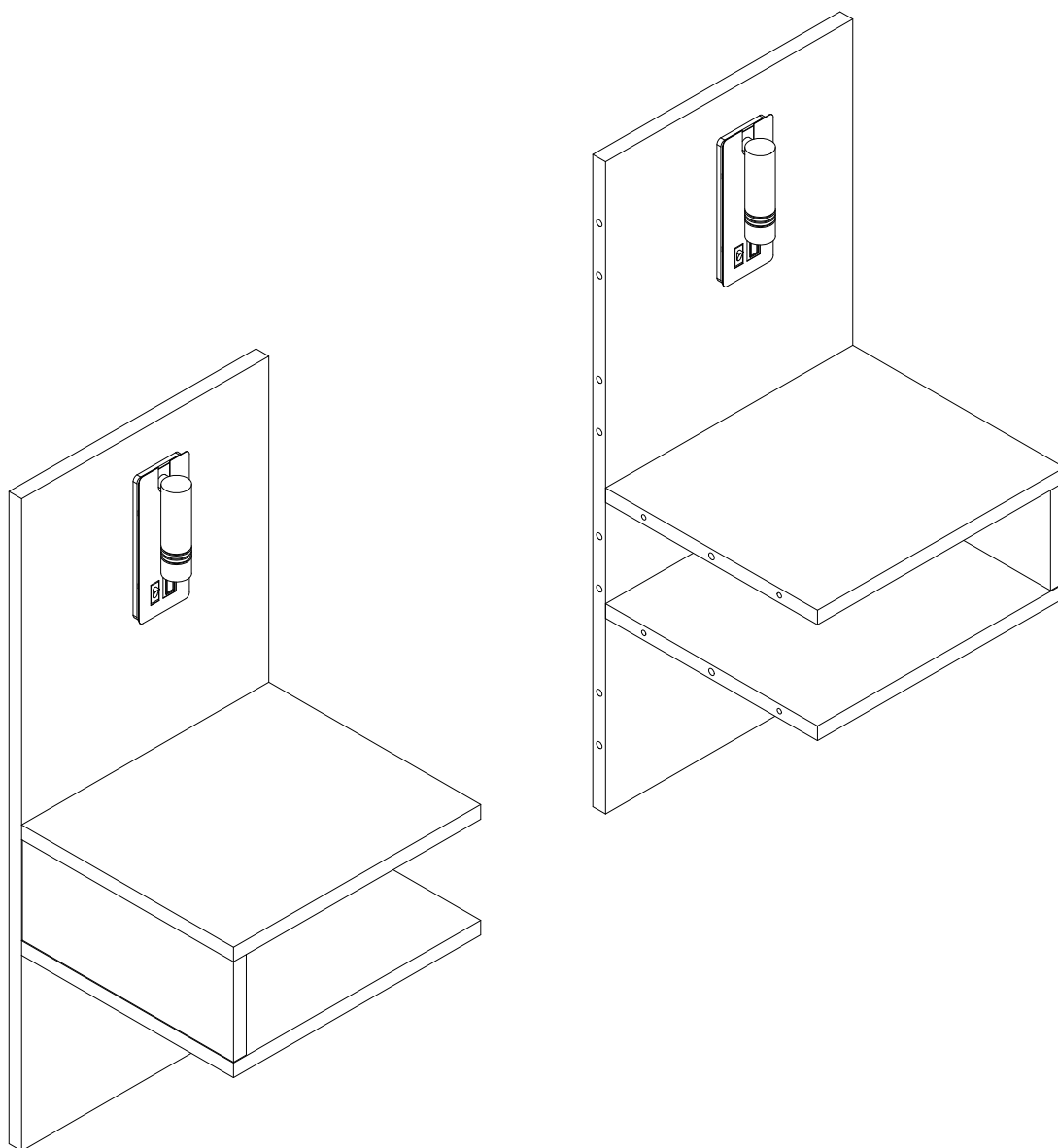
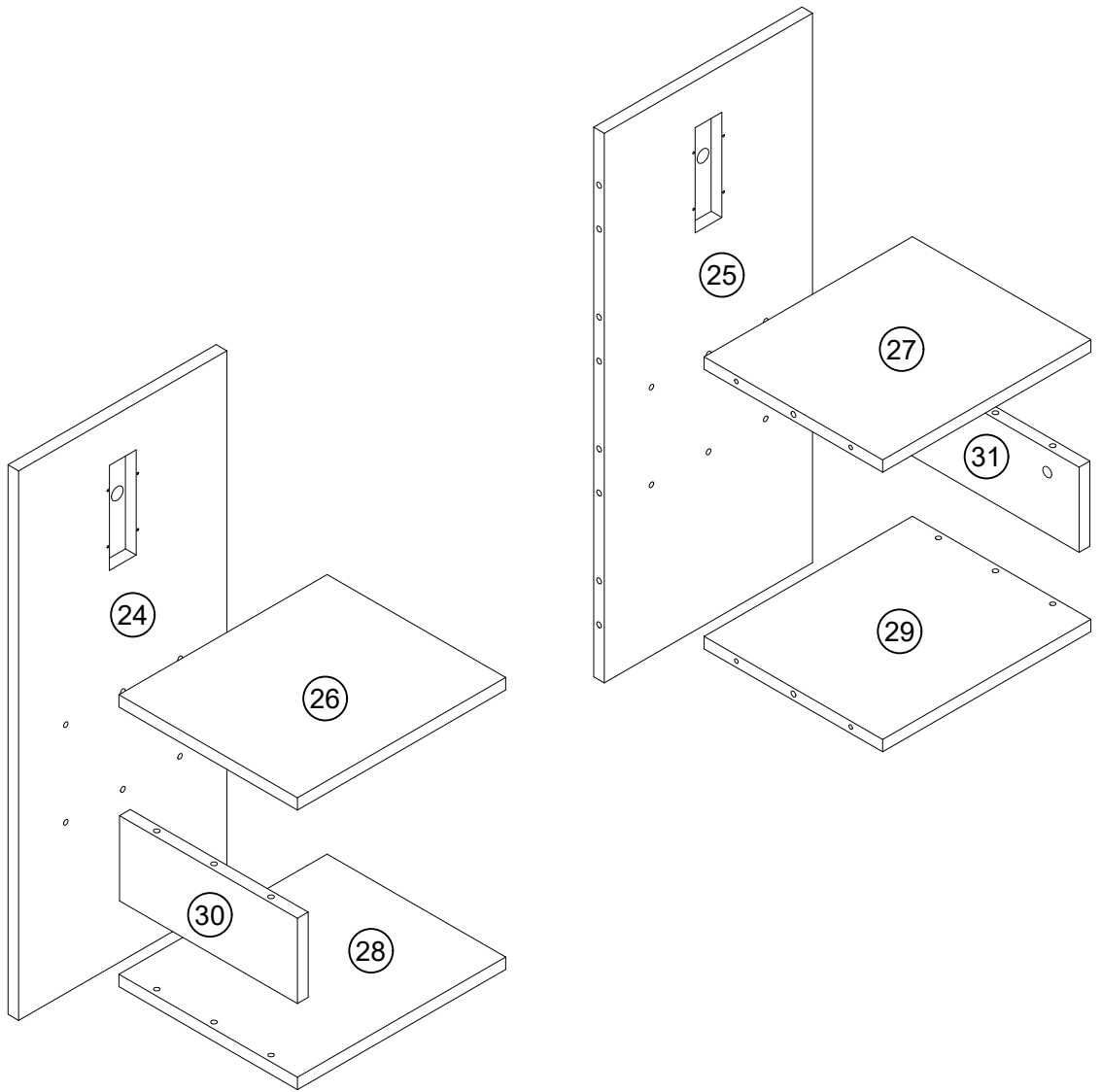


N616P199683A

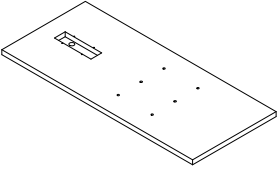
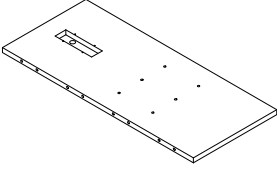
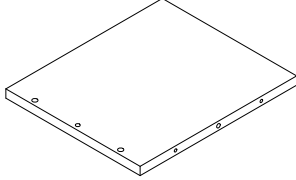
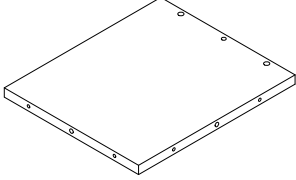
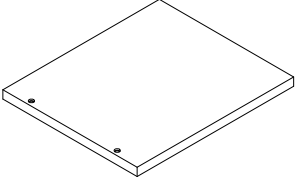
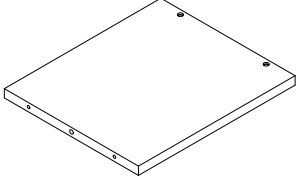
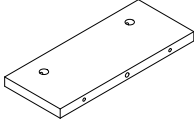
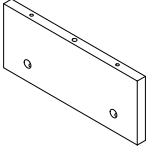
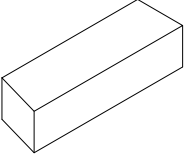


Nightstand/Nachttisch/Table de Nuit/Mesita de Noche

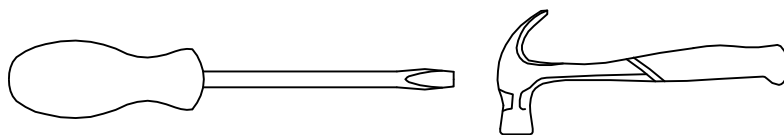


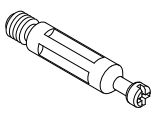
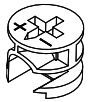
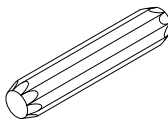
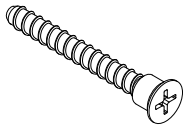

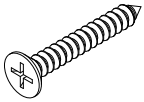
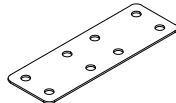

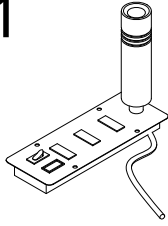
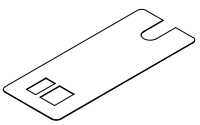
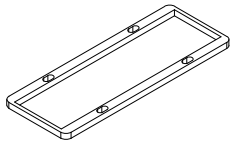


# N616P199683A

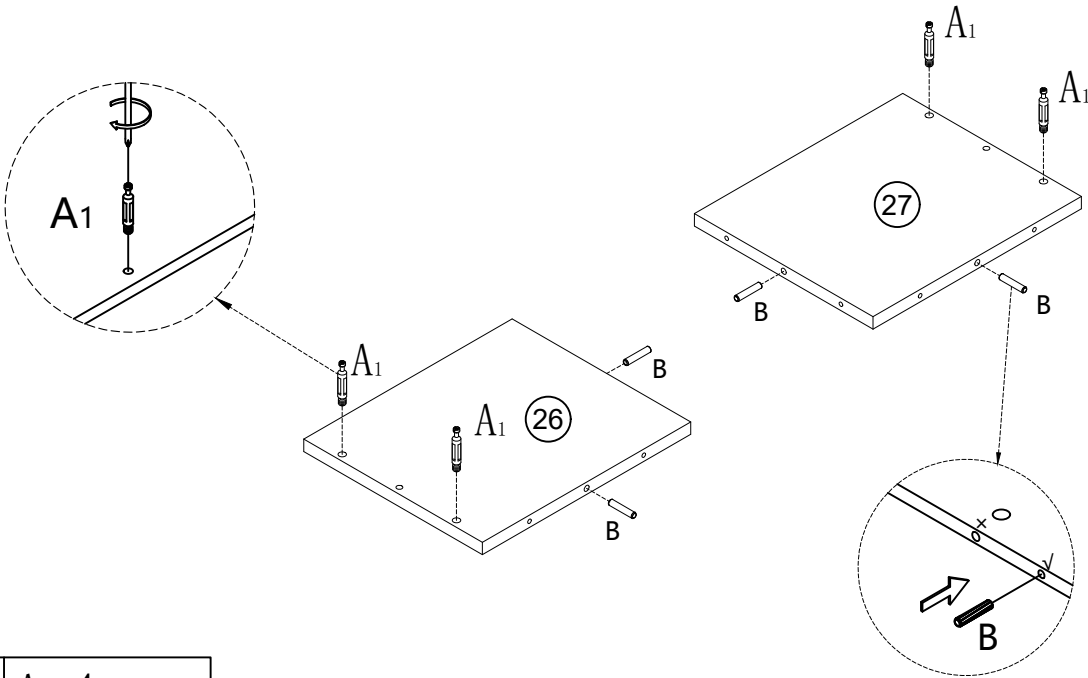
<p>24</p>  <p>1PCS</p>	<p>25</p>  <p>1PCS</p>	<p>26</p>  <p>1PCS</p>	<p>27</p>  <p>1PCS</p>
<p>28</p>  <p>1PCS</p>	<p>29</p>  <p>1PCS</p>	<p>30</p>  <p>1PCS</p>	<p>31</p>  <p>1PCS</p>
 <p>Hardware Box Ein metallkästchen</p>			


## Tools Required (Not Included)

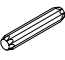


<p><b>A<sub>1</sub></b></p>  <p>Ø6*40 12PCS</p>	<p><b>A<sub>2</sub></b></p>  <p>Ø15*11.5 12PCS</p>	<p><b>B</b></p>  <p>Ø8*30 20PCS</p>	<p><b>C</b></p>  <p>M7*50 20PCS</p>
<p><b>D</b></p>  <p>Ø20 32PCS</p>	<p><b>E</b></p>  <p>Ø3.5*20 8PCS</p>	<p><b>F</b></p>  <p>6PCS</p>	<p><b>G</b></p>  <p>Ø3.5*14 48PCS</p>
<p><b>H<sub>1</sub></b></p>  <p>2PCS</p>	<p><b>H<sub>2</sub></b></p>  <p>2PCS</p>	<p><b>I</b></p>  <p>2PCS</p>	

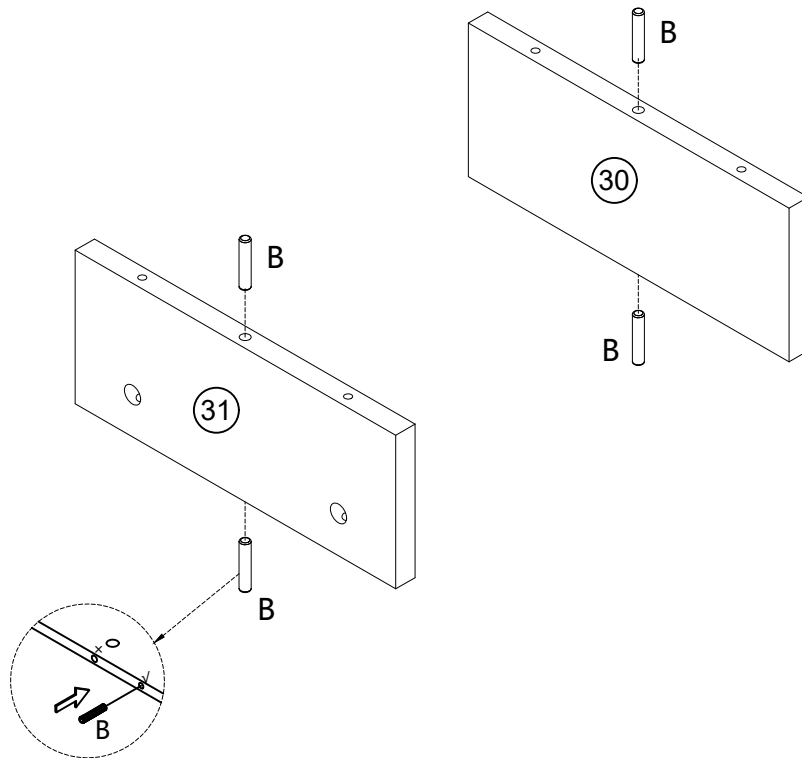
# STEP 1



 A<sub>1</sub>x4pcs

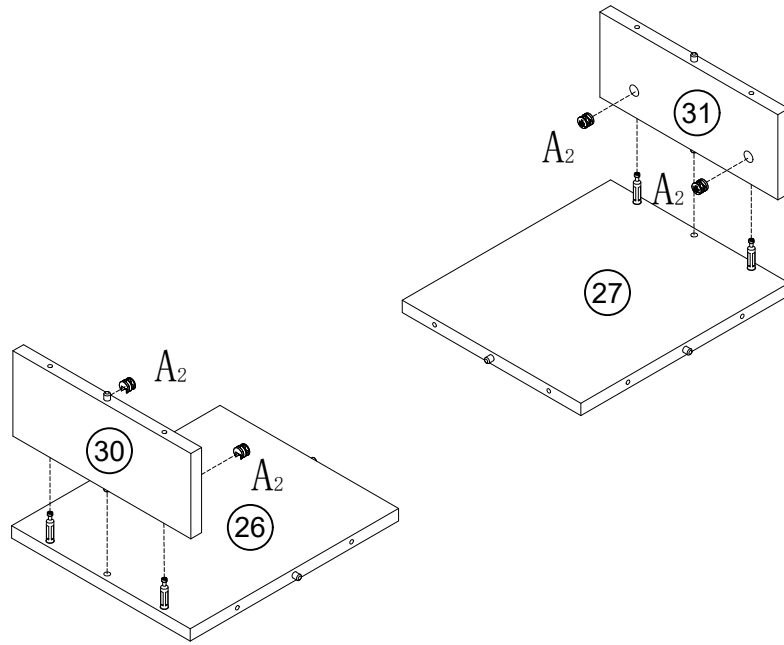
 Bx4pcs

# STEP 2

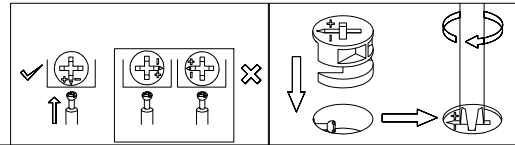


 Bx4pcs

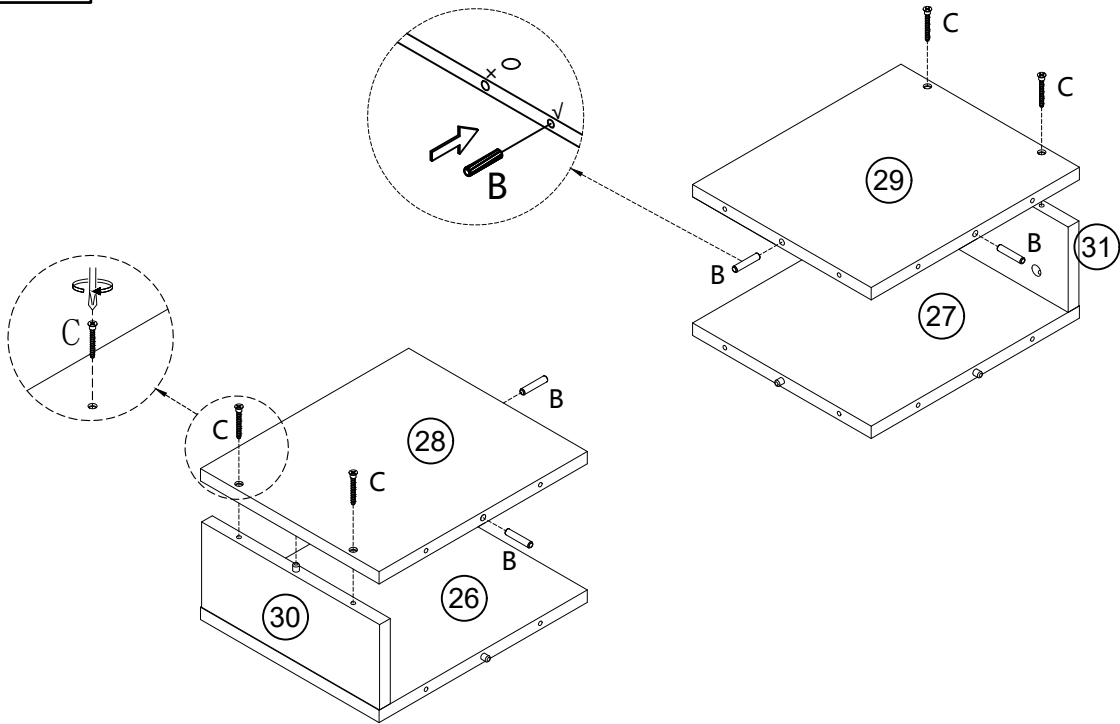
# STEP 3



A<sub>2</sub>x4pcs



# STEP 4

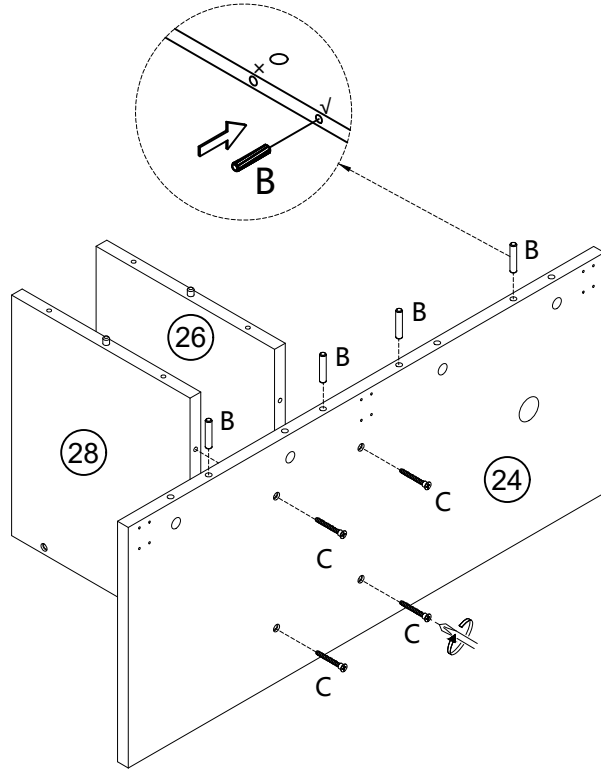


Bx4pcs




Cx4pcs

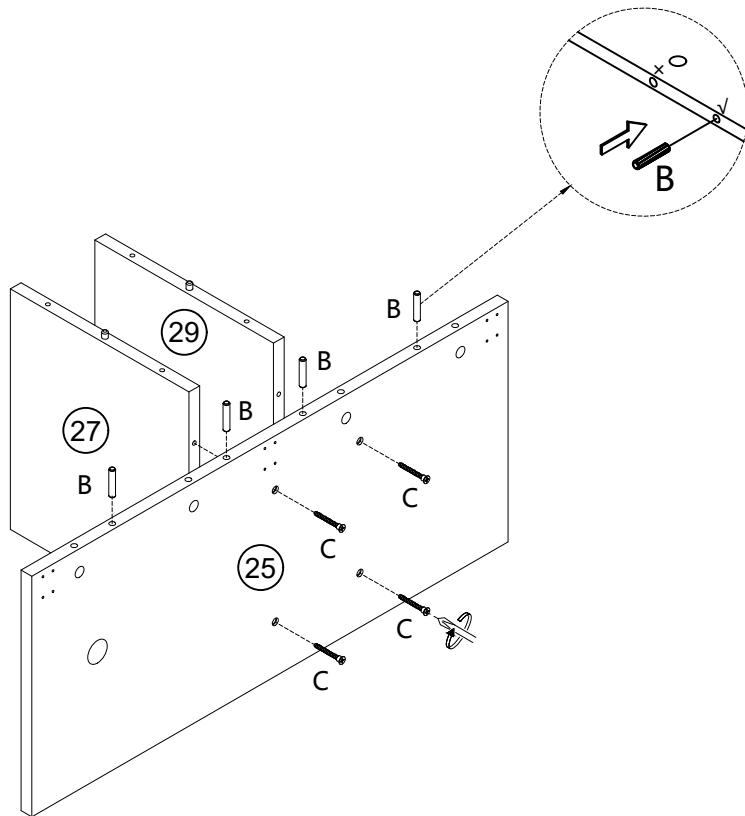
# STEP 5




 Bx4pcs

 Cx4pcs

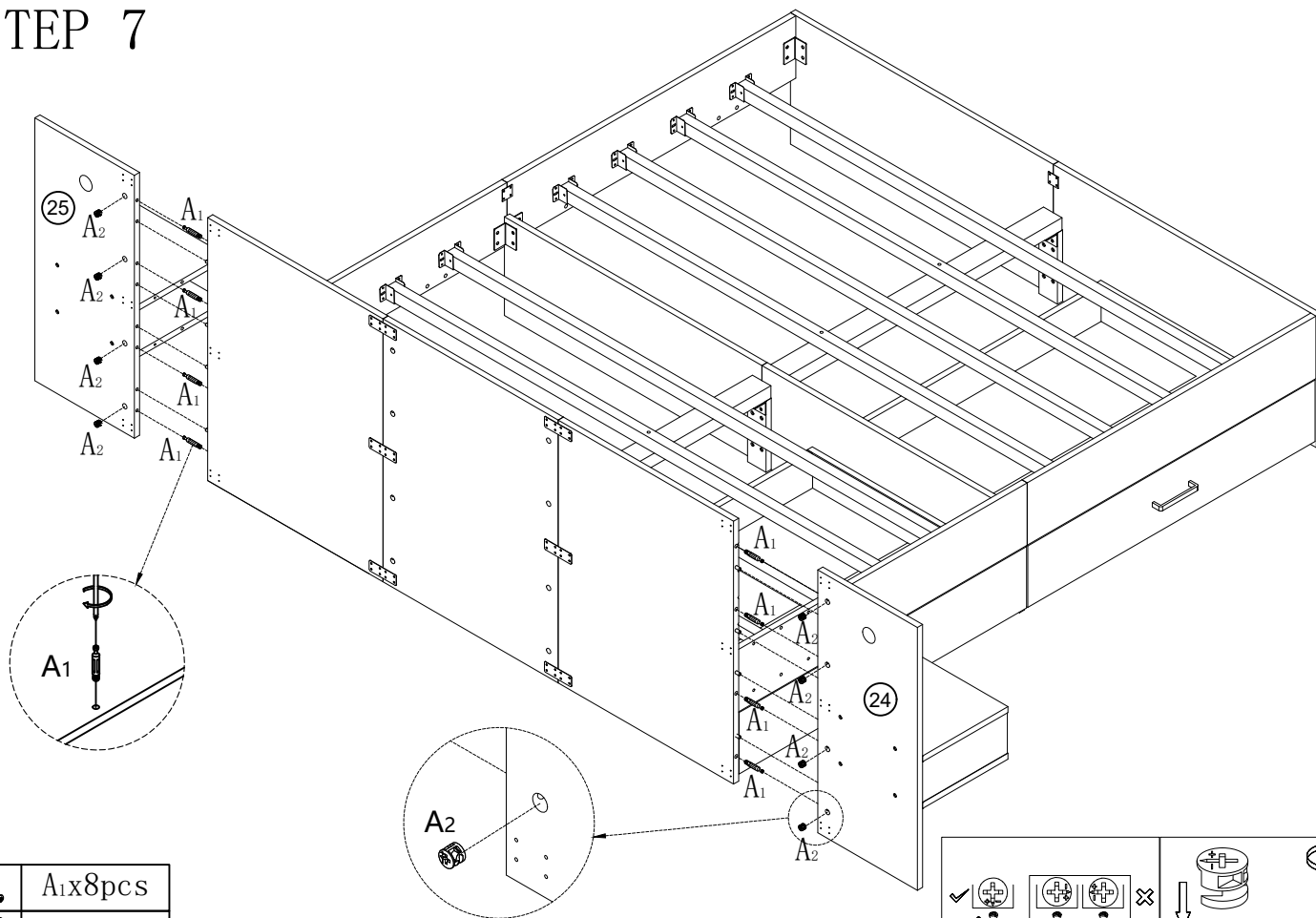
# STEP 6





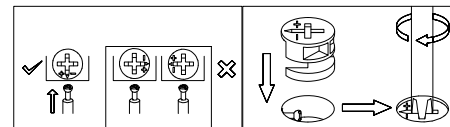
 Bx4pcs

 Cx4pcs

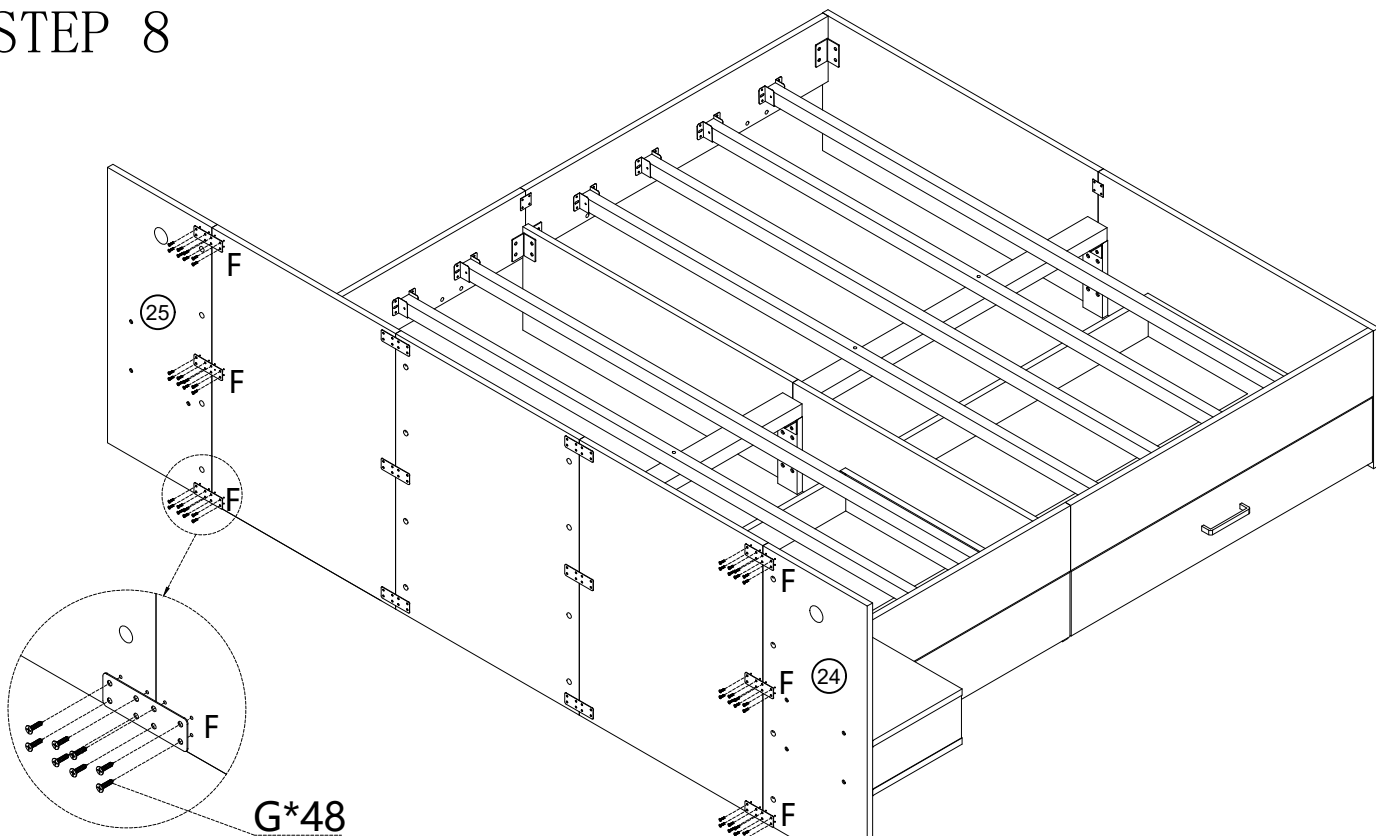
# STEP 7





	A <sub>1</sub> x8pcs
	A <sub>2</sub> x8pcs

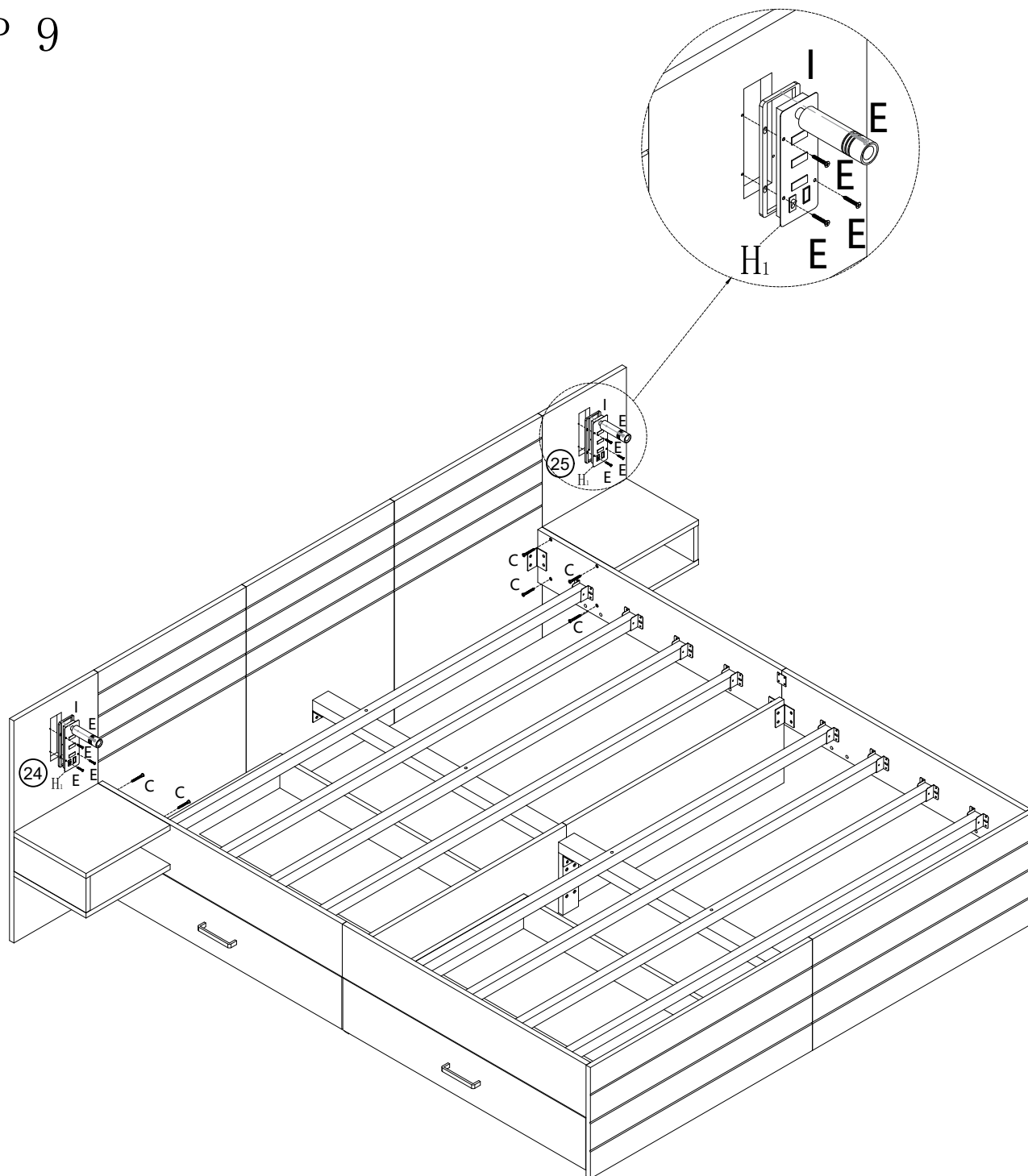






# STEP 8



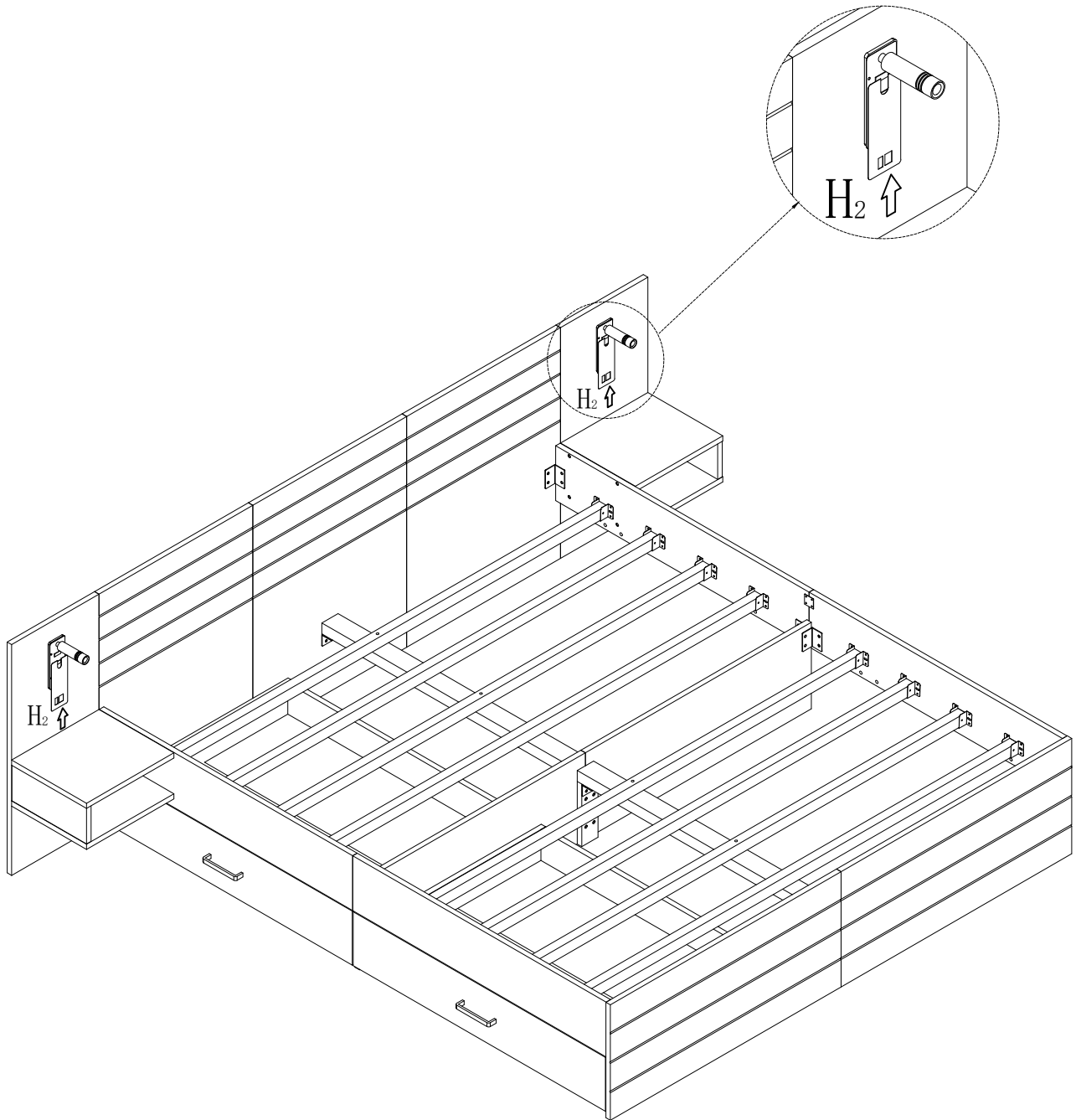
	Gx48pcs		Fx6pcs
--	---------	---	--------

# STEP 9



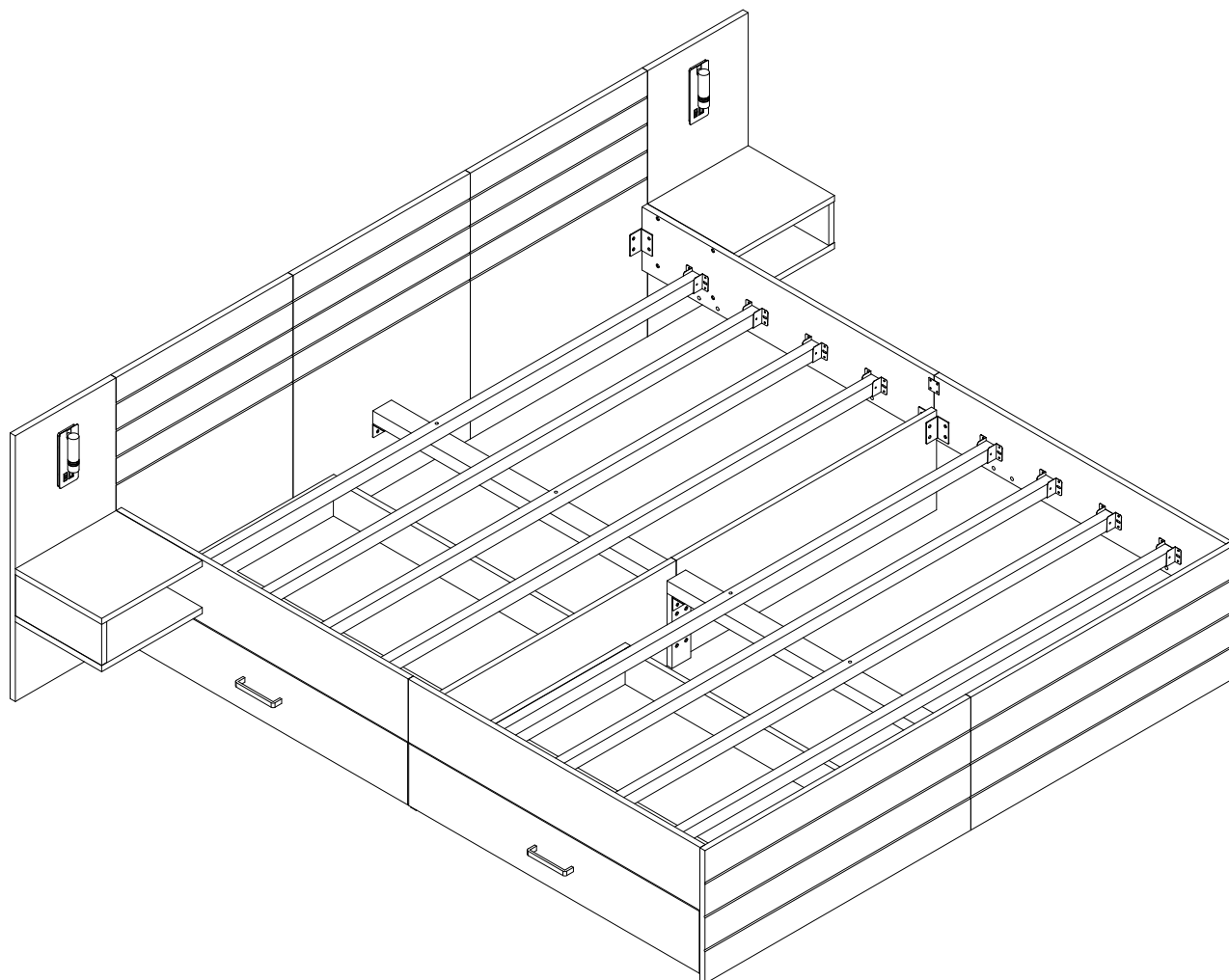
	Cx8pcs
	Ex8pcs
	H1x2pcs
	Ix2pcs

# STEP 10



H<sub>2</sub>x2pcs

## STEP 11



### **GB**

You can nicely cover screws and make your furniture more integrated with our screw stickers. This is not a necessary installation step, it all depends on your needs.

### **DE**

Sie können die Schrauben schön abdecken und Ihre Möbel mit unseren Schraubenaufklebern besser integrieren, dies ist kein notwendiger Installationsschritt, sondern hängt ganz von Ihren Bedürfnissen ab.

### **FR**

vous pouvez recouvrir les vis et rendre vos meubles plus intégrés grâce à nos autocollants pour vis

### **IT**

Suggerimento: con i nostri adesivi per viti è possibile coprire le viti e rendere i mobili più integrati. con i nostri adesivi per viti. Questo non è un passaggio necessario per l'installazione, dipende dalle vostre esigenze.

Non è una fase di installazione necessaria, tutto dipende dalle vostre esigenze.

### **ES**

Consejo: Puede cubrir los tornillos y hacer que sus muebles queden más integrados con nuestros adhesivos para tornillos.

No es un paso de instalación necesario, todo depende de sus necesidades.

Este no es un paso de instalación necesario, todo depende de sus necesidades.



Certificate Number: HW20200902023E  
EMC Directive 2014/30/EU

## Certificate Of Compliance

Applicant : Hanron Lighting Co., Limited  
3/F, NO.1, Jintai Road, Second Industrial Park, Shangwu  
Address : Community, Shiyan, Bao'an District, Shenzhen,  
Guangdong, 518108, China  
Manufacturer : Hanron Lighting Co., Limited  
3/F, NO.1, Jintai Road, Second Industrial Park, Shangwu  
Address : Community, Shiyan, Bao'an District, Shenzhen,  
Guangdong, 518108, China  
Product : LED Strip Light  
Model No. : HR00-B, HR00-A, HR00-C, HR00-D, HR00-F, HR00-G,  
HR00-H, HR00-I

The submitted products have been tested by us with the following standard(s) and found to be in compliance with the listed European Directives.

EN 55015:2013+A1:2015;  
EN 61000-3-2:2014;  
EN 61000-3-3:2013;  
EN 61547:2009

The test results apply only to the particular sample tested and to the specific tests carried out. Technical Report and documentation are at the Holder's disposal.  
This certificate applies specifically to the sample investigated in our test reference number only. The CE markings as shown below can be affixed on the product after preparation of necessary technical documentation. Other relevant Directives have to be observed.

# CE



Manager: Guy Su  
Date: September 2, 2020

Shenzhen Huawin Testing Certification Co., Ltd.

Add: 7F, Building A, Shenye U Center, No. 743, Zhoushi Road, Bao'an District, Shenzhen, China

Http://www.huawinlab.com E-mail: info@huawinlab.com