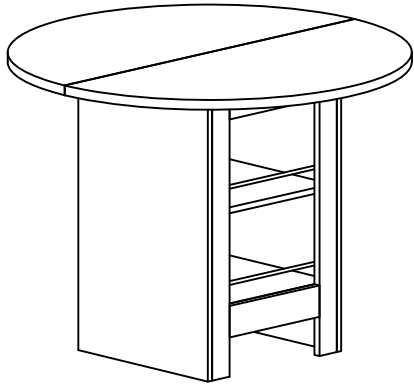


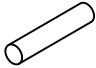




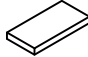




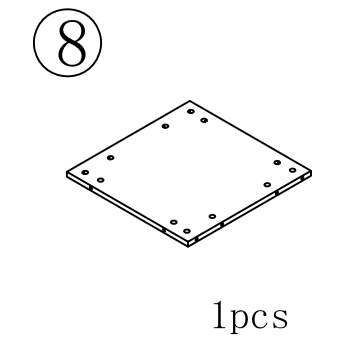
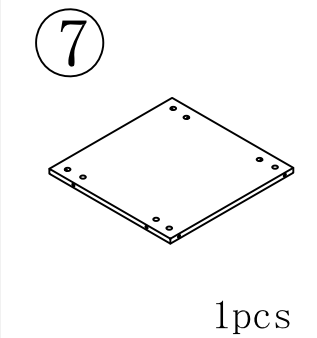
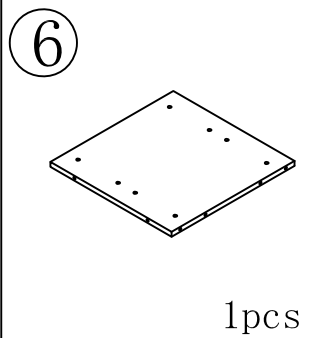
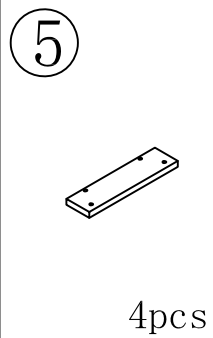
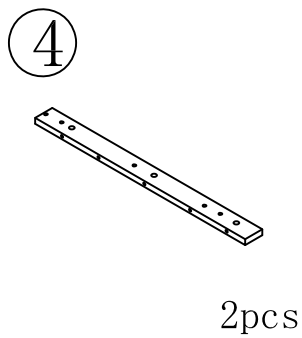
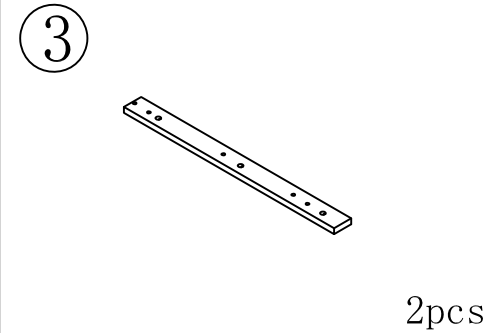
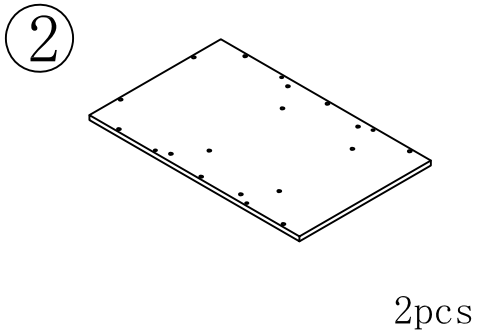
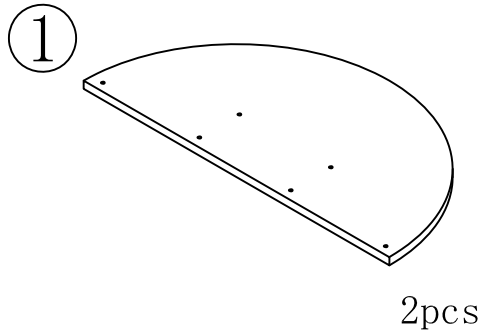


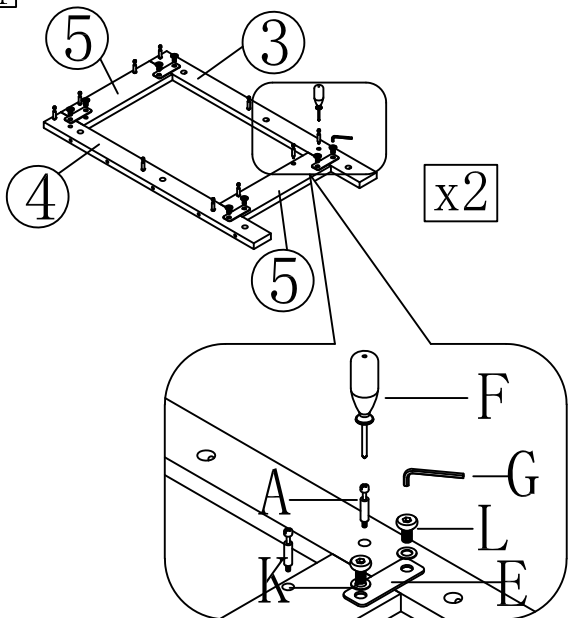
# ASSEMBLY INSTRUCTION



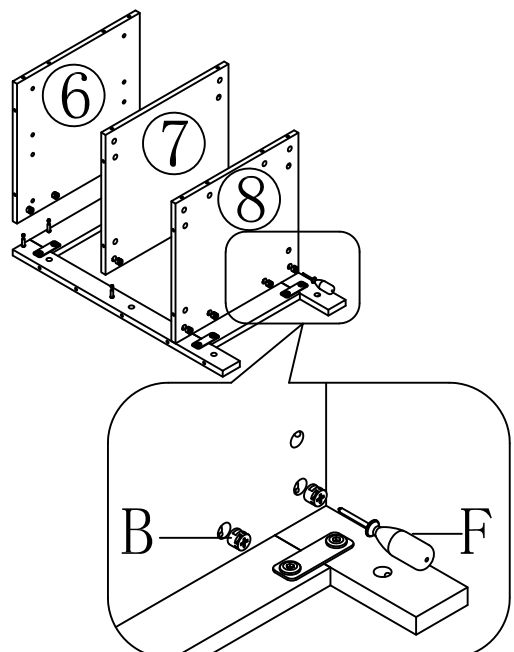
A  44pcs	B  44pcs	C  8*40 8pcs
D  8*16 4pcs	E  10pcs	F  1pcs
G  M5 1pcs	H  15*30 8pcs	I  9*450 4pcs
J  8*30 8pcs	K  8*18 24pcs	L  6*16 16pcs



STEP1

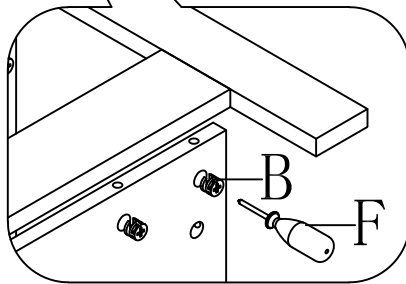
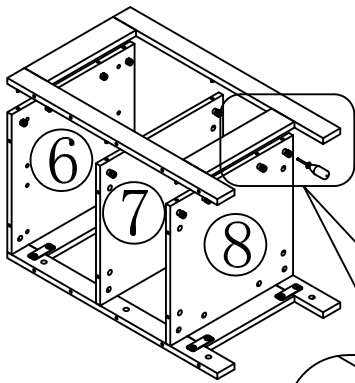


STEP2

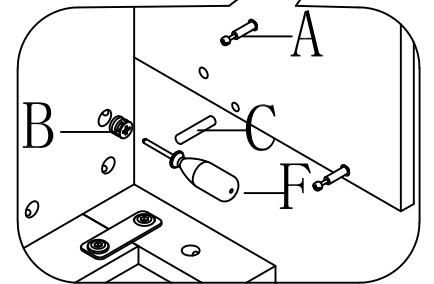
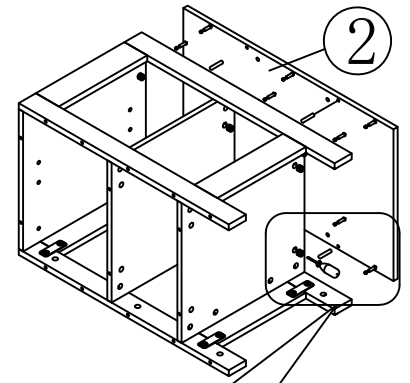
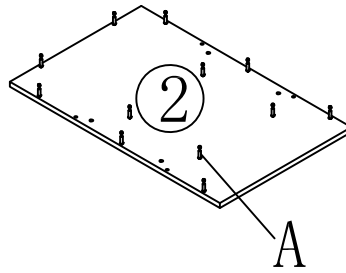


# ASSEMBLY INSTRUCTION

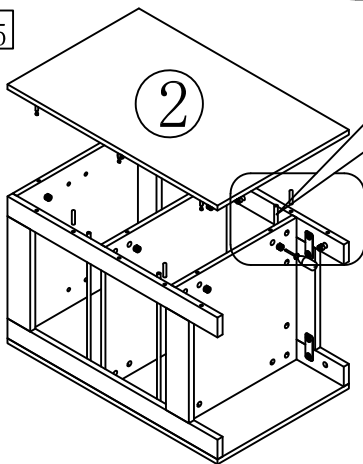
STEP3



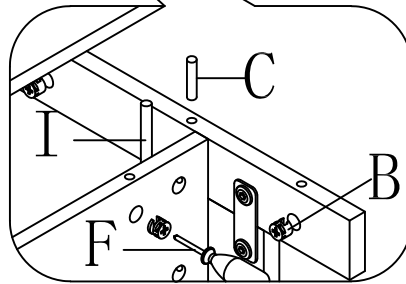
STEP4



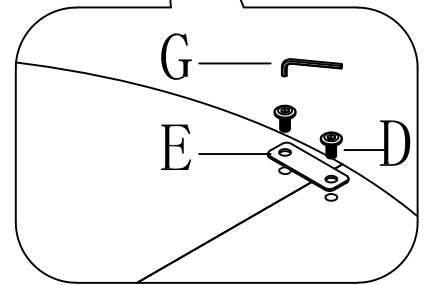
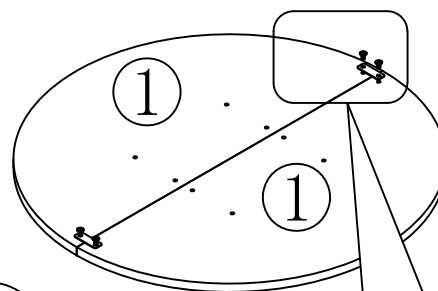
STEP5



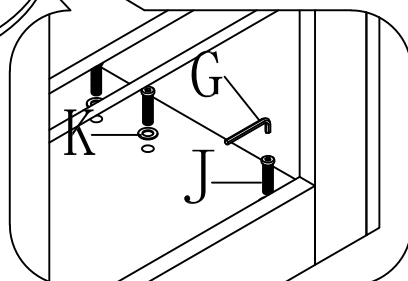
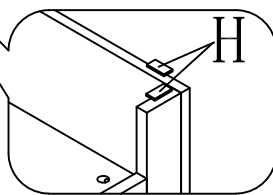
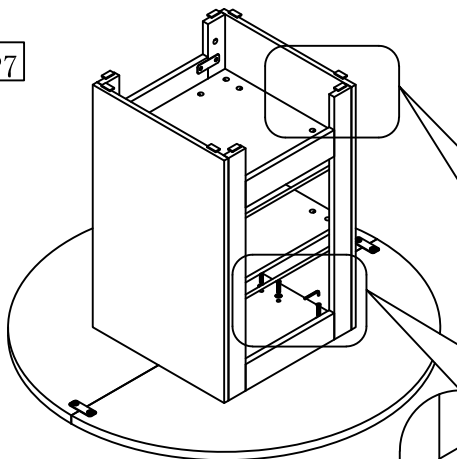
Install the stainless steel baffle pipe, align the top and bottom holes, attach the side panel, and secure it with a locking clip.



STEP6



STEP7



STEP8

