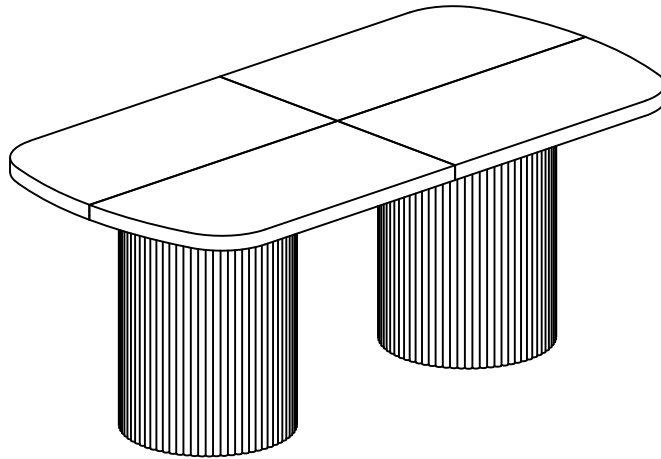
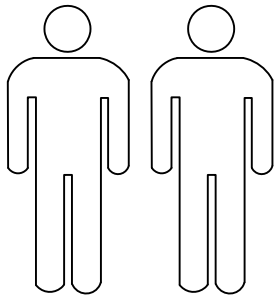





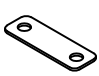





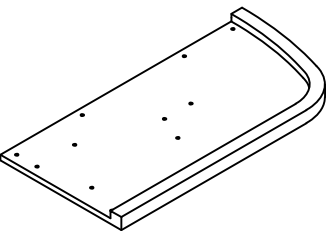
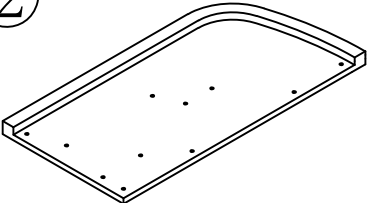
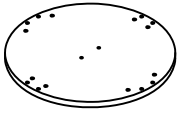


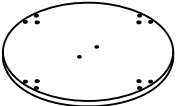
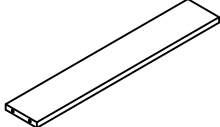
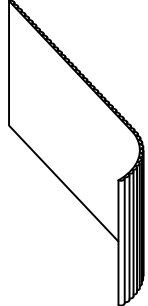
ASSEMBLY INSTRUCTION


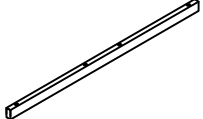



1.8

<p>A </p> <p>6*14 32pcs</p>	<p>B </p> <p>8*16 12pcs</p>	<p>C </p> <p>8*30 16pcs</p>	<p>D </p> <p>8*40 16pcs</p>	<p>E </p> <p>8*18 16pcs</p>	<p>F </p> <p>4pcs</p>	<p>G </p> <p>83*83 1pcs</p>
<p>H </p> <p>8pcs</p>	<p>I </p> <p>M4 1pcs</p>	<p>J </p> <p>M5 1pcs</p>	<p>K </p> <p>8pcs</p>	<p>L</p>		

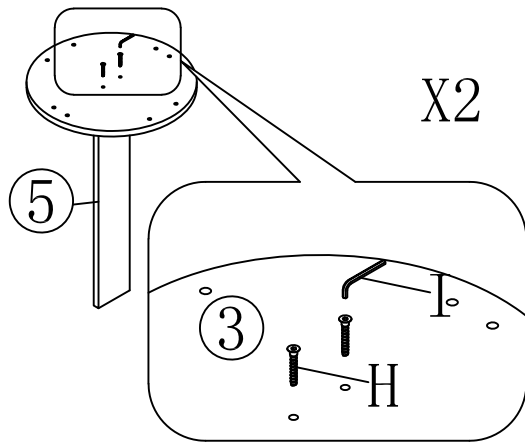
<p>① </p> <p>2pcs</p>	<p>② </p> <p>2pcs</p>	<p>③ </p> <p>2pcs</p>
--	---	--

<p>④ </p> <p>2pcs</p>	<p>⑤ </p> <p>2pcs</p>	<p>⑥ </p> <p>2pcs</p>
--	--	--

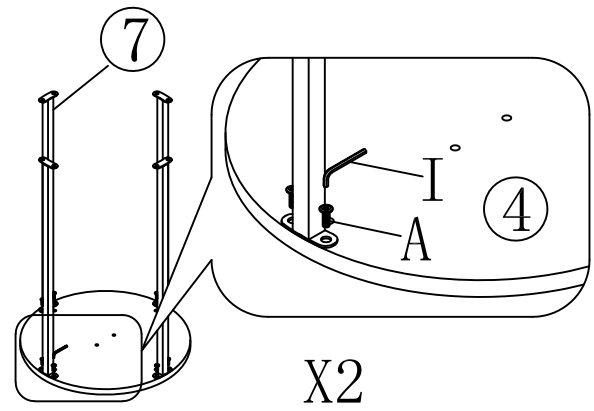
<p>⑦ </p> <p>8pcs</p>	<p>⑧ </p> <p>2pcs</p>	<p>⑨ </p> <p>2pcs</p>
--	--	--

ASSEMBLY INSTRUCTION

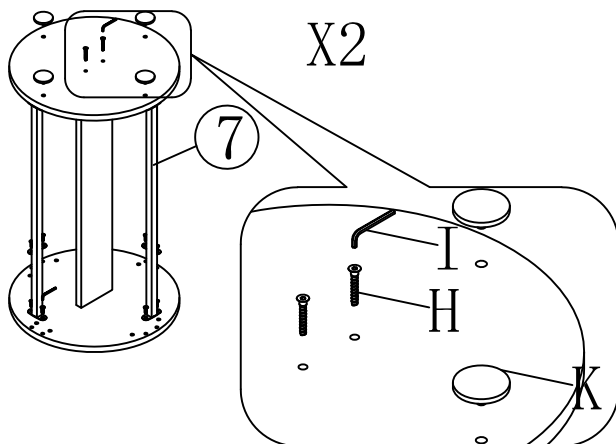
STEP1



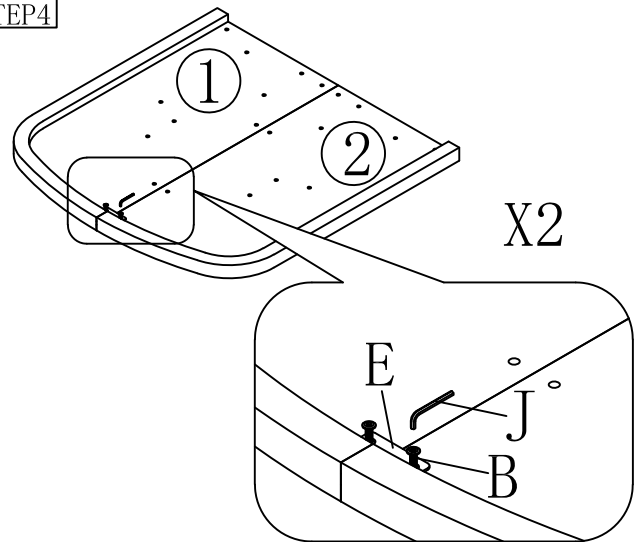
STEP2



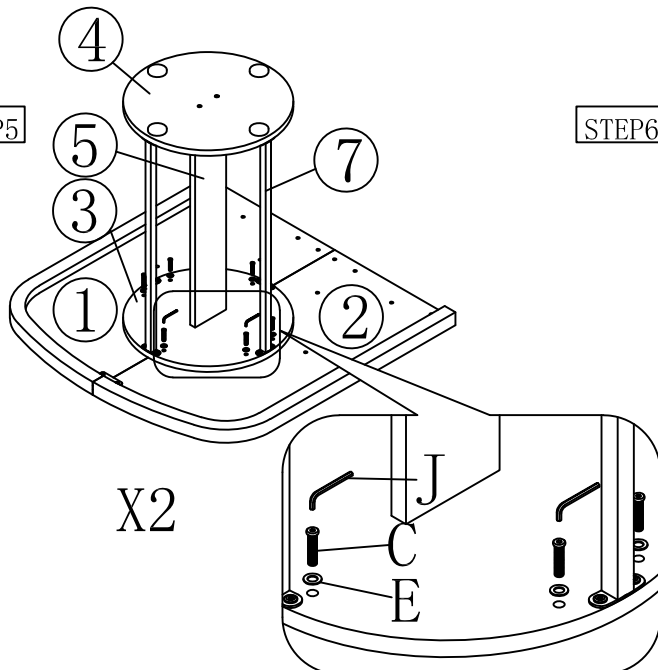
STEP3



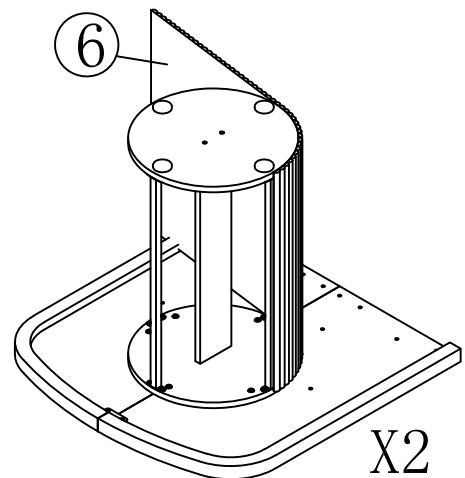
STEP4



STEP5

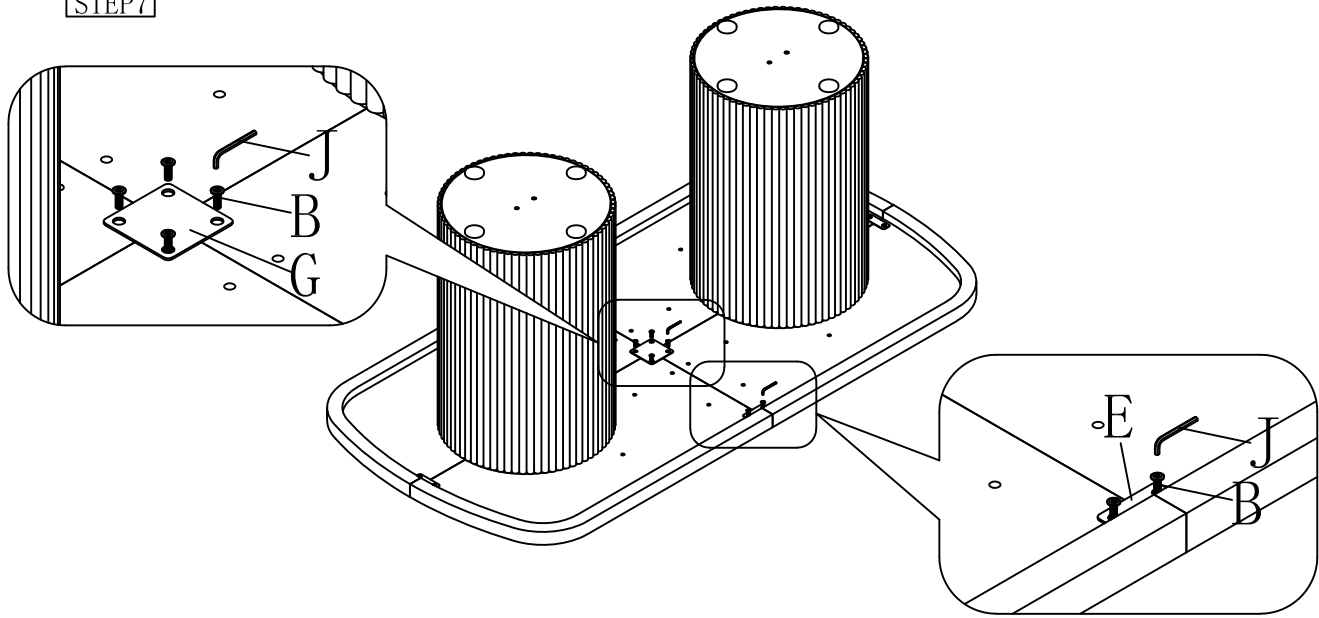


STEP6

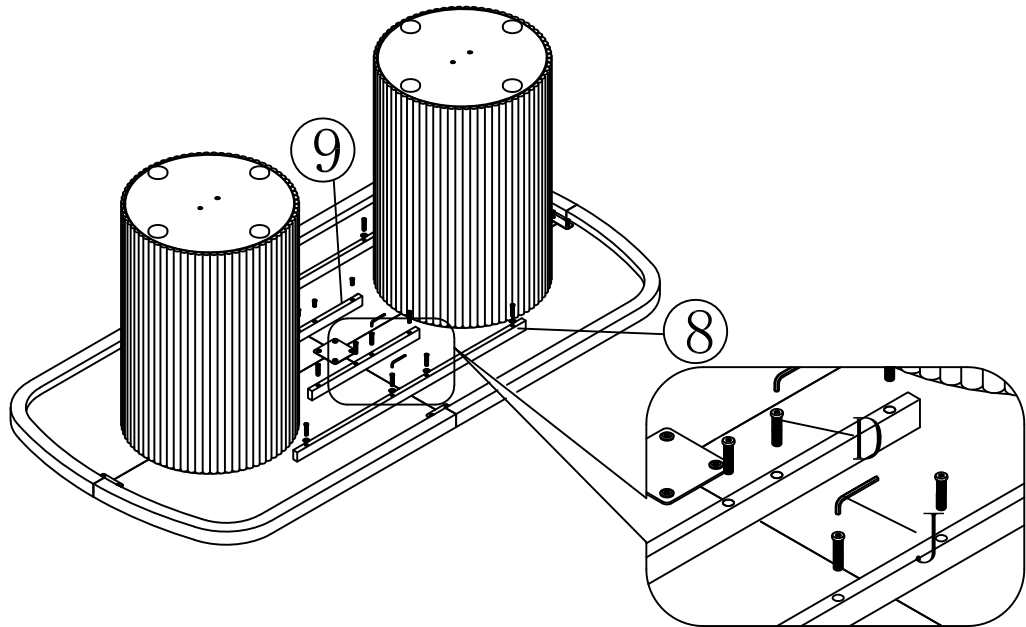


ASSEMBLY INSTRUCTION

STEP7



STEP8



STEP9

