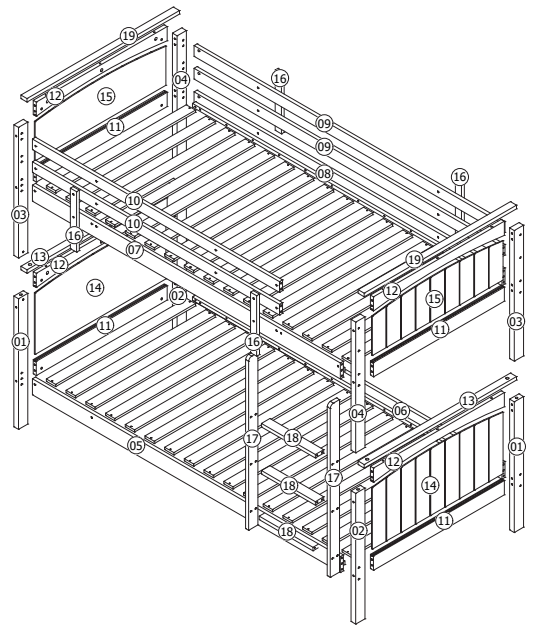


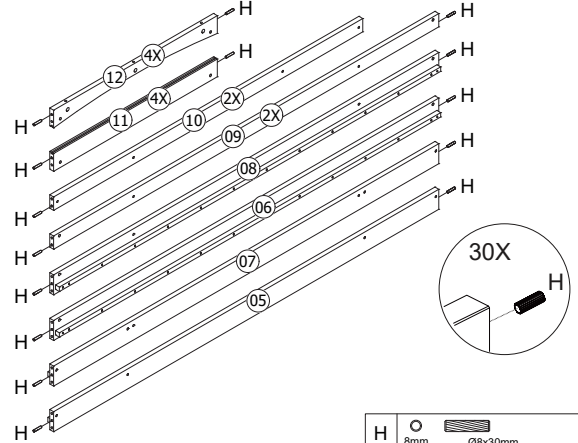
## HARDWARE

A		16	K		12
B		38	L		64
C		22	M		40
D		16	N		20
E		12	O		02
F		12	P		10
G		04	Q		02
H		30	R		02
I		02	S		12
J		12			

Page 1 of 10

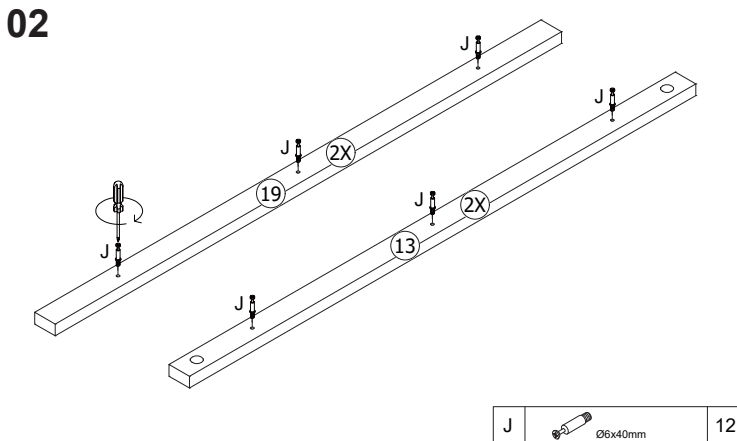


01

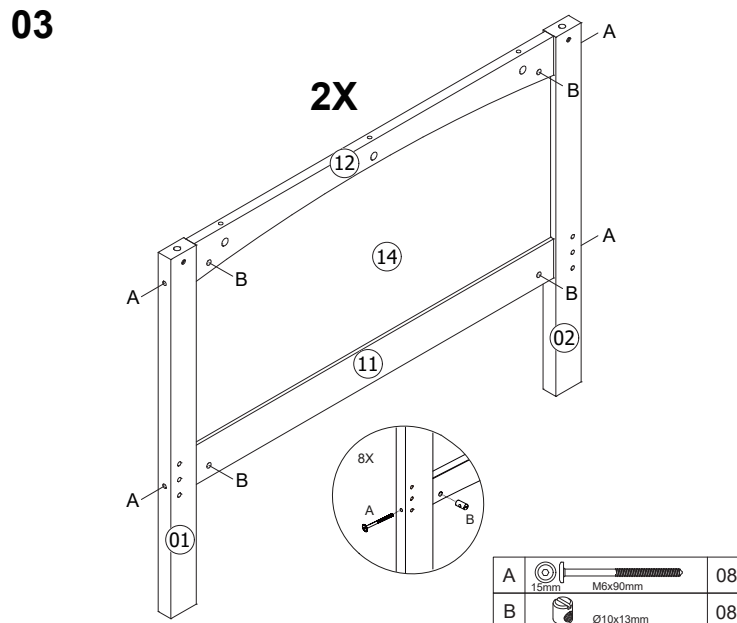


H 30

Page 2 of 10

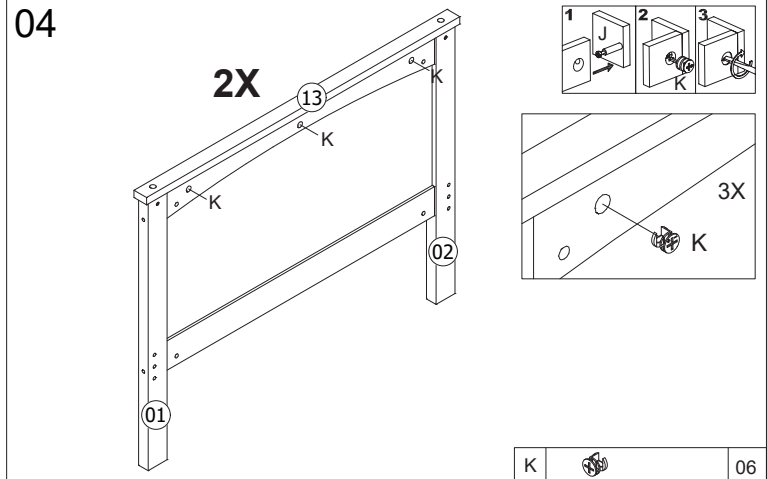


J 12

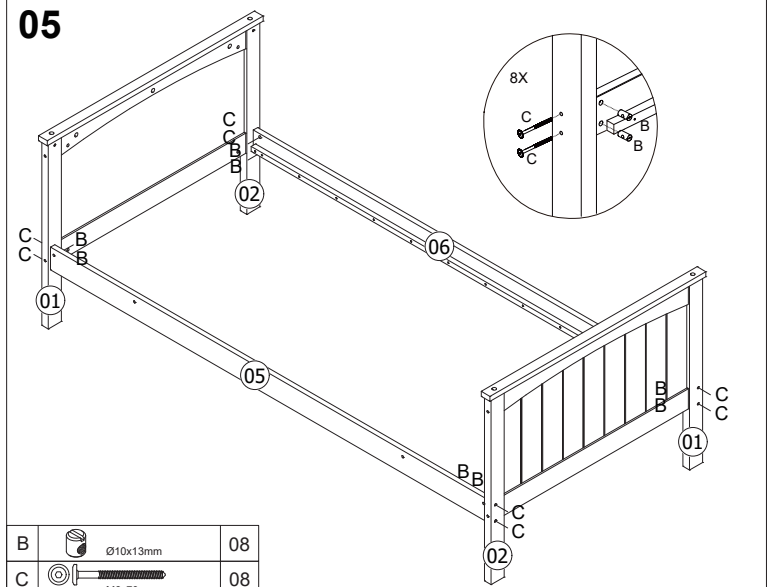


A 08  
B 08

Page 3 of 10



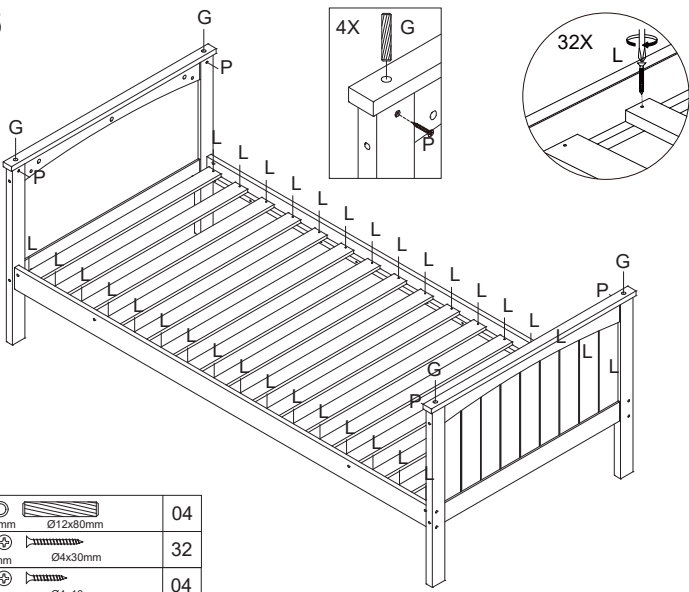
K 06



B 08  
C 08

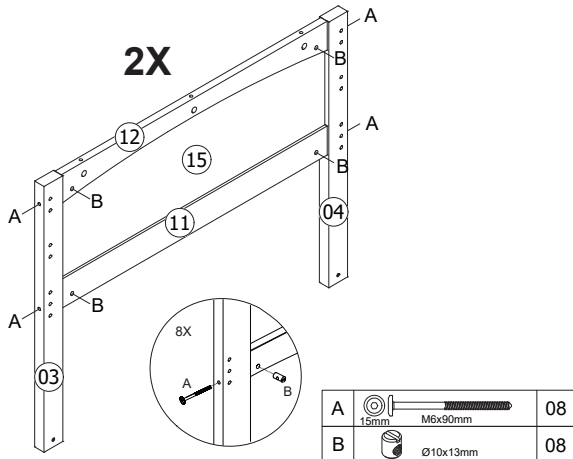
Page 4 of 10

06



G		12mm	Ø12x80mm	04
L		8mm	Ø4x30mm	32
P		8mm	Ø4x16mm	04

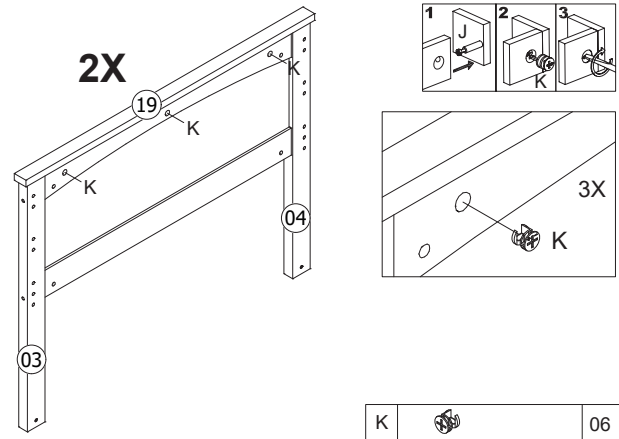
07



A		15mm	M6x90mm	08
B			Ø10x13mm	08

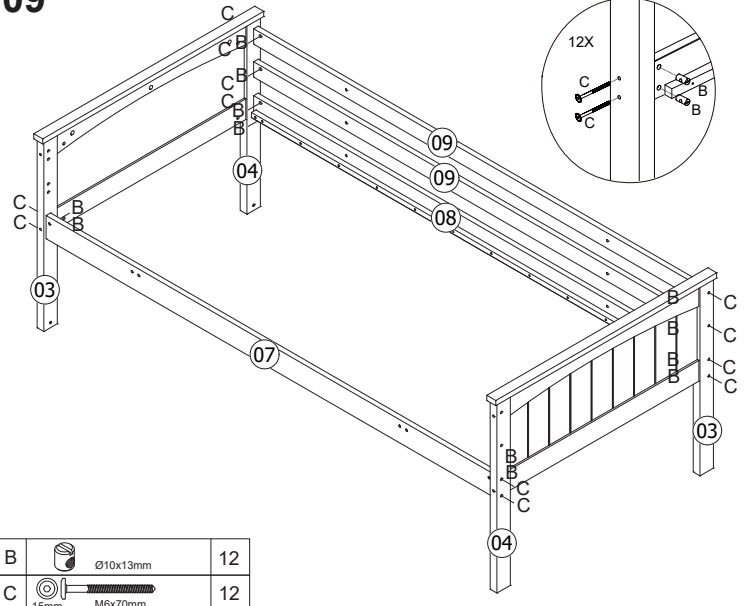
Page 5 of 10

08



K				06
---	--	--	--	----

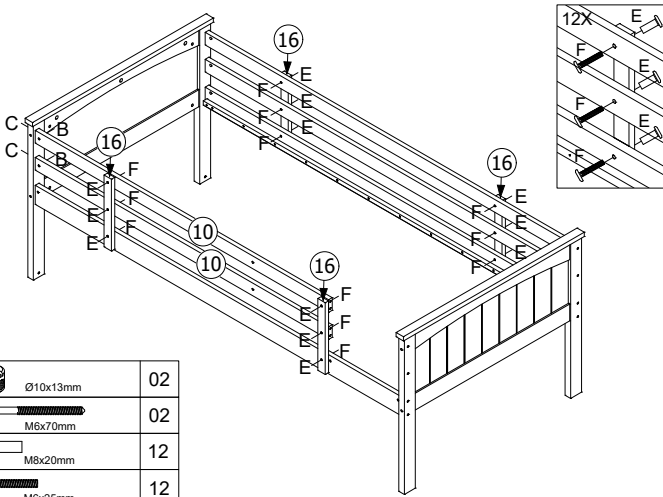
09



B			Ø10x13mm	12
C		15mm	M6x70mm	12

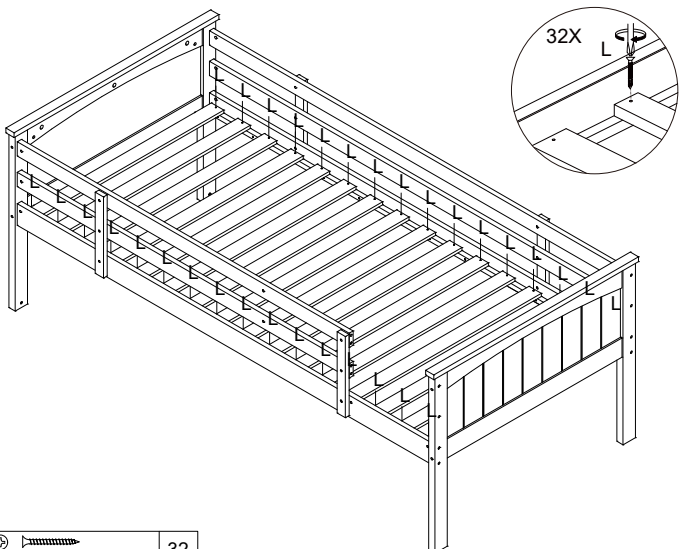
Page 6 of 10

10



B			Ø10x13mm	02
C		15mm	M6x70mm	02
E		15mm	M8x20mm	12
F		15mm	M6x25mm	12

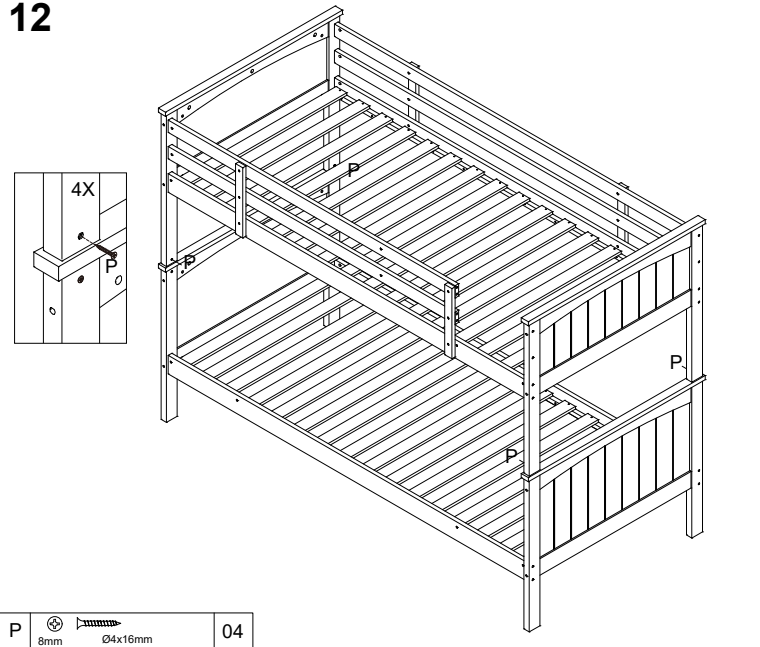
11



L		8mm	Ø4x30mm	32
---	--	-----	---------	----

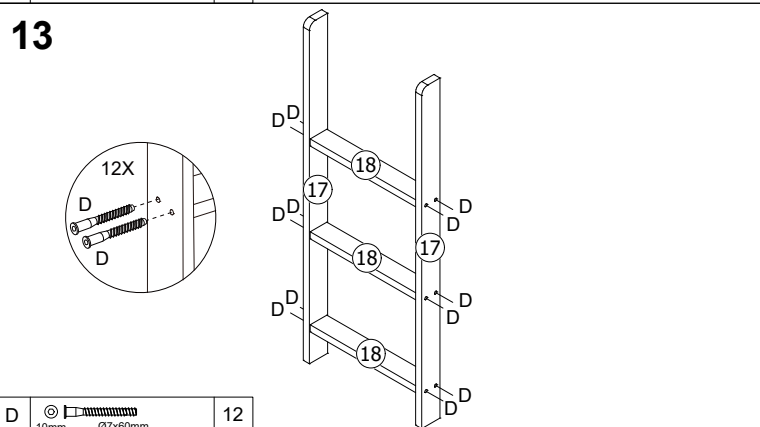
Page 7 of 10

12



P		8mm	Ø4x16mm	04
---	--	-----	---------	----

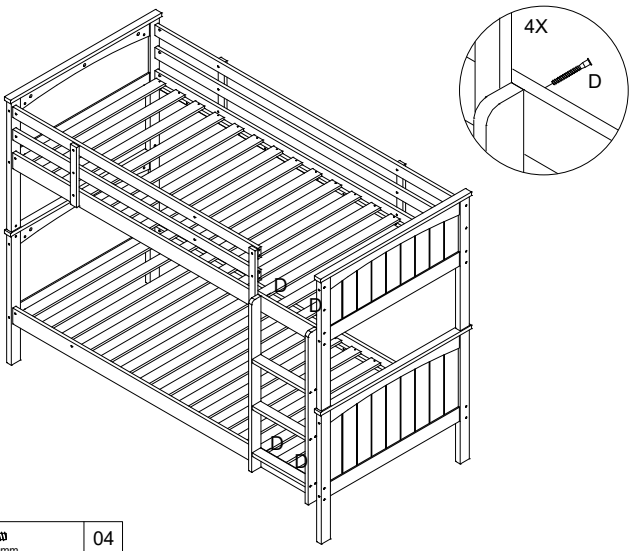
13

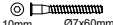


D		10mm	Ø7x60mm	12
---	--	------	---------	----

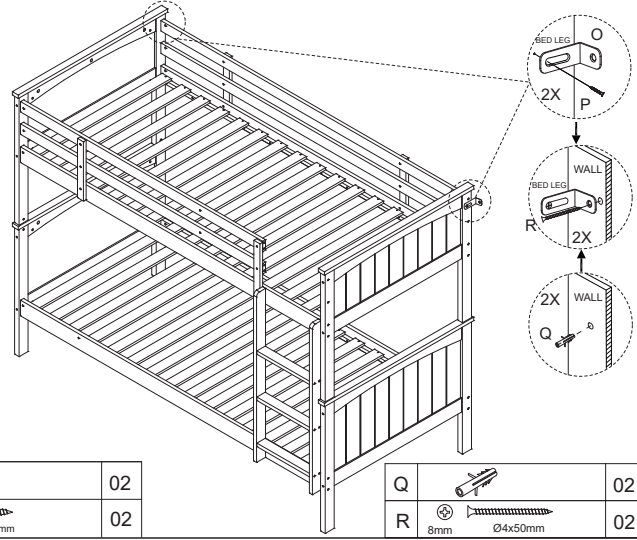
Page 8 of 10


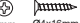
14





D		10mm	Ø7x60mm	04
---	--	------	---------	----

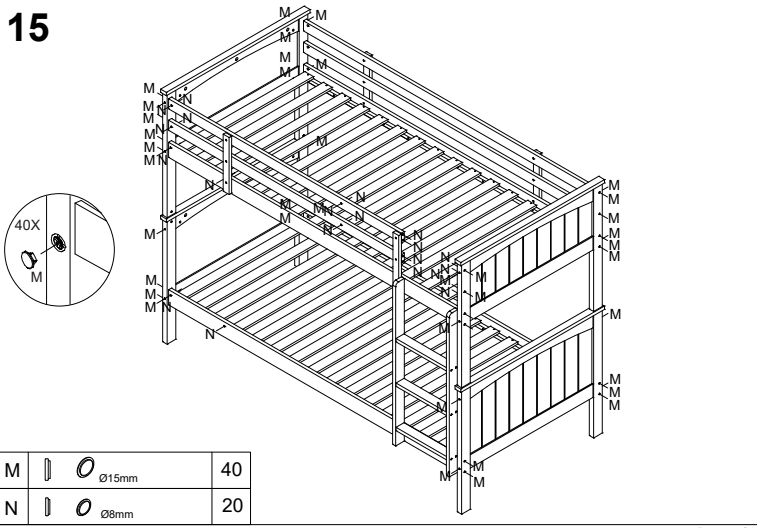
16



O		02		
P		7mm	Ø4x16mm	02

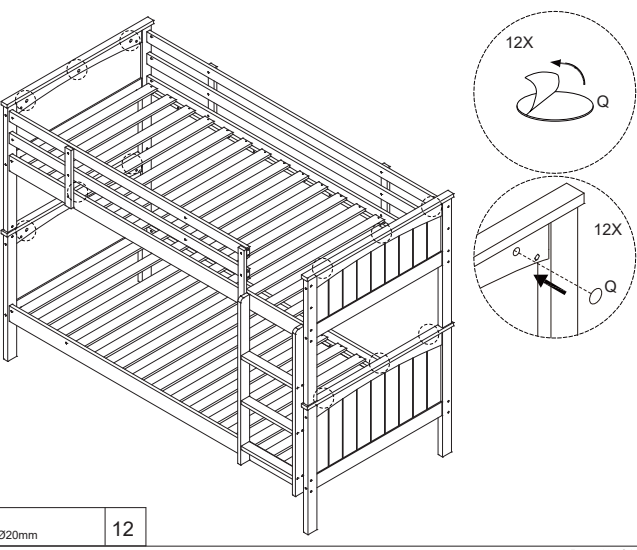
Q		02		
R		8mm	Ø4x50mm	02

15



M		Ø15mm	40
N		Ø8mm	20

17



S		Ø20mm	12
---	---	-------	----