

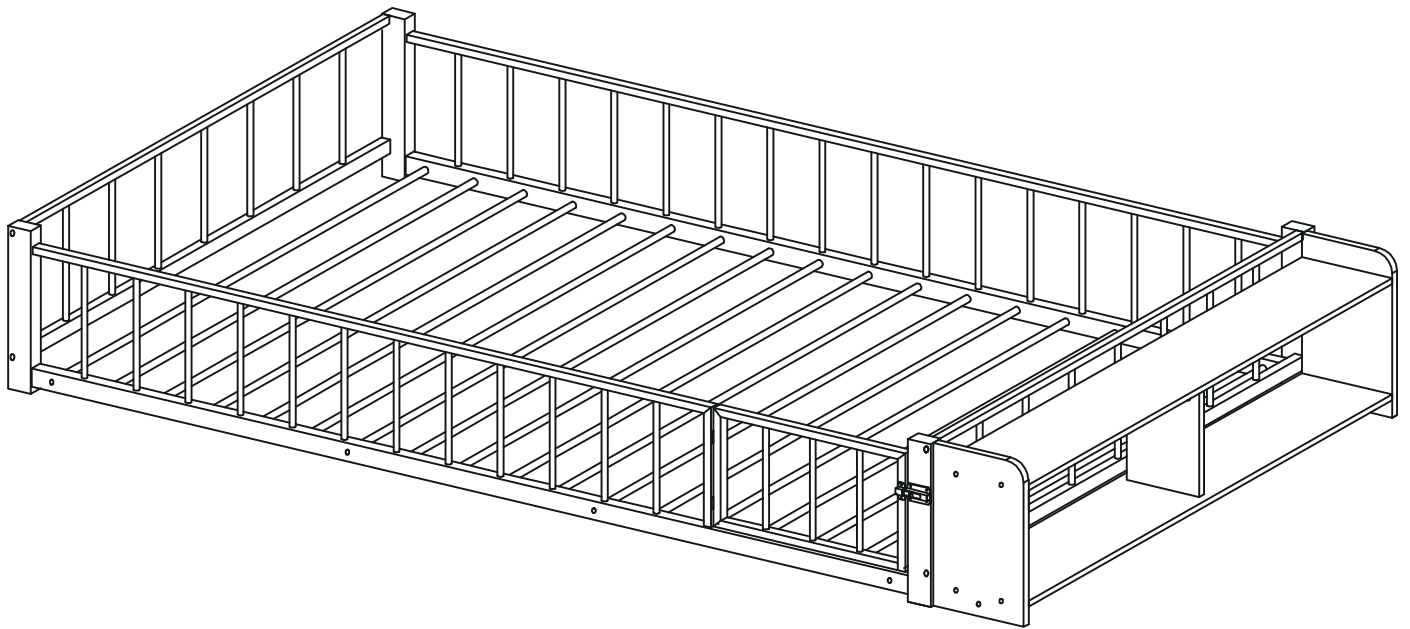
**Installation sanleitung  
Installation Instruction  
Instruction d'installation**

Artikelnummer/Item Number/Numéro d'article:

N636P423583

**Bett**

90X200CM



FR

Cet appareil,  
ses cordons,  
et batterie  
se recyclent

À DÉPOSER  
EN MAGASIN

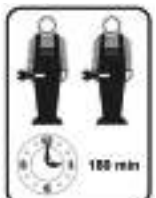


OU

À DÉPOSER  
EN DÉCHÈTERIE



Points de collecte sur [www.quefairedemesdechets.fr](http://www.quefairedemesdechets.fr)  
Privilégiez la réparation ou le don de votre appareil !



## English

### IMPORTANT ! KEEP FOR FUTURE REFERENCE : READ CAREFULLY

- To be assembled by an adult. Assembly must be checked by an adult before use
- WARNING ! Keep all screws, small parts and plastic bags out of the reach of children
- Properly identify all parts before assembling
- Never use your item if any of its parts are broken or missing
- Should any problems arise, please contact our After Sales Service
- Manufacturer's instructions shall be followed at all times
- Care: Clean with a soft, dry cloth. In case of larger stains, carefully rub with a slightly damp, non-abrasive sponge
- Avoid the risk of fire by not placing furniture near sources of ignition or hot items
- Do not jump on the bed

## Deutsch

### WICHTIG ! ZUM SPÄTEREN NACHSCHLAGEN AUFBEWAHREN: SORGFÄLTIG LESEN

- Muss von einem Erwachsenen zusammengebaut werden. Der Zusammenbau muss vor dem Gebrauch von einem Erwachsenen überprüft werden
- WARNUNG! Bewahren Sie alle Schrauben, Kleinteile und Plastikbeutel außerhalb der Reichweite von Kindern auf
- Kennzeichnen Sie vor dem Zusammenbau alle Teile richtig
- Benutzen Sie Ihren Artikel niemals, wenn Teile gebrochen sind oder fehlen
- Sollten Probleme auftreten, wenden Sie sich bitte an unseren Kundendienst
- Die Anweisungen des Herstellers sind stets zu befolgen
- Pflege: Mit einem weichen, trockenen Tuch reinigen. Bei größeren Flecken vorsichtig mit einem leicht feuchten, nicht scheuernden Schwamm abreiben. nicht scheuernden Schwamm
- Vermeiden Sie die Gefahr eines Brandes, indem Sie die Möbel nicht in der Nähe von Zündquellen oder heißen Gegenständen aufstellen
- Nicht auf das Bett springen

## Français

### IMPORTANT ! CONSERVER POUR RÉFÉRENCE ULTÉRIEURE : LIRE ATTENTIVEMENT

- Le montage doit être effectué par un adulte. Le montage doit être vérifié par un adulte avant Utilisation
- ATTENTION ! Tenir les vis, les petites pièces et les sachets en plastique hors de portée des enfants
- Identifiez correctement toutes les pièces avant de les assembler
- N'utilisez jamais votre article si l'une de ses pièces est cassée ou manquante
- En cas de problème, veuillez contacter notre service après-vente
- Les instructions du fabricant doivent être respectées à tout moment
- Entretien : nettoyer avec un chiffon doux et sec. En cas de taches plus importantes, frotter soigneusement avec une éponge non abrasive légèrement humide. légèrement humide et non Abrasive
- Évitez les risques d'incendie en ne plaçant pas les meubles à proximité de sources d'inflammation ou d'objets chauds
- Ne pas sauter sur le lit

## Italiano

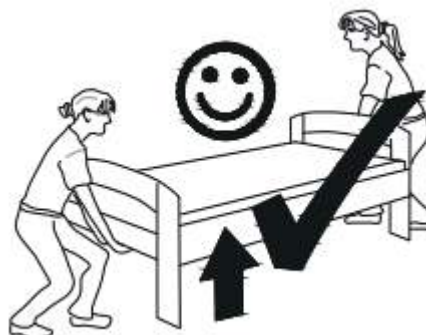
### IMPORTANTE! CONSERVARE PER RIFERIMENTO FUTURO: LEGGERE ATTENTAMENTE

- Deve essere assemblato da un adulto. L'assemblaggio deve essere controllato da un adulto prima dell'uso
- **ATTENZIONE!** Tenere tutte le viti, le piccole parti e i sacchetti di plastica fuori dalla portata dei bambini
- Identificare correttamente tutte le parti prima dell'assemblaggio
- Non utilizzare mai l'articolo se alcune parti sono rotte o mancanti
- In caso di problemi, si prega di contattare il nostro Servizio Post Vendita
- Le istruzioni del produttore devono essere sempre seguite
- Cura: Pulire con un panno morbido e asciutto. In caso di macchie più estese, strofinare accuratamente con una spugna leggermente umida e nonspugna leggermente umida e non abrasiva
- Evitare il rischio di incendio, non collocando i mobili vicino a fonti di accensione o a oggetti caldi
- Non saltare sul letto

## Español

### ¡ IMPORTANTE ! CONSERVELO PARA FUTURAS CONSULTAS: LEA ATENTAMENTE

- Debe ser montado por un adulto. El montaje debe ser comprobado por un adulto antes del uso
- ADVERTENCIA** Mantenga todos los tornillos, piezas pequeñas y bolsas de plástico fuera del alcance de los niños.
- Identifique correctamente todas las piezas antes de montarlas
  - Nunca utilice su artículo si alguna de sus piezas está rota o falta
  - Si surge algún problema, póngase en contacto con nuestro Servicio Postventa
  - Las instrucciones del fabricante deben seguirse en todo momento
  - Cuidado: Limpiar con un paño suave y seco. En caso de manchas más grandes, frote cuidadosamente con una esponja no abrasiva ligeramente humedecida.
  - Evite el riesgo de incendio no colocando los muebles cerca de fuentes de ignición u objetos calientes.
  - No saltar sobre la cama.



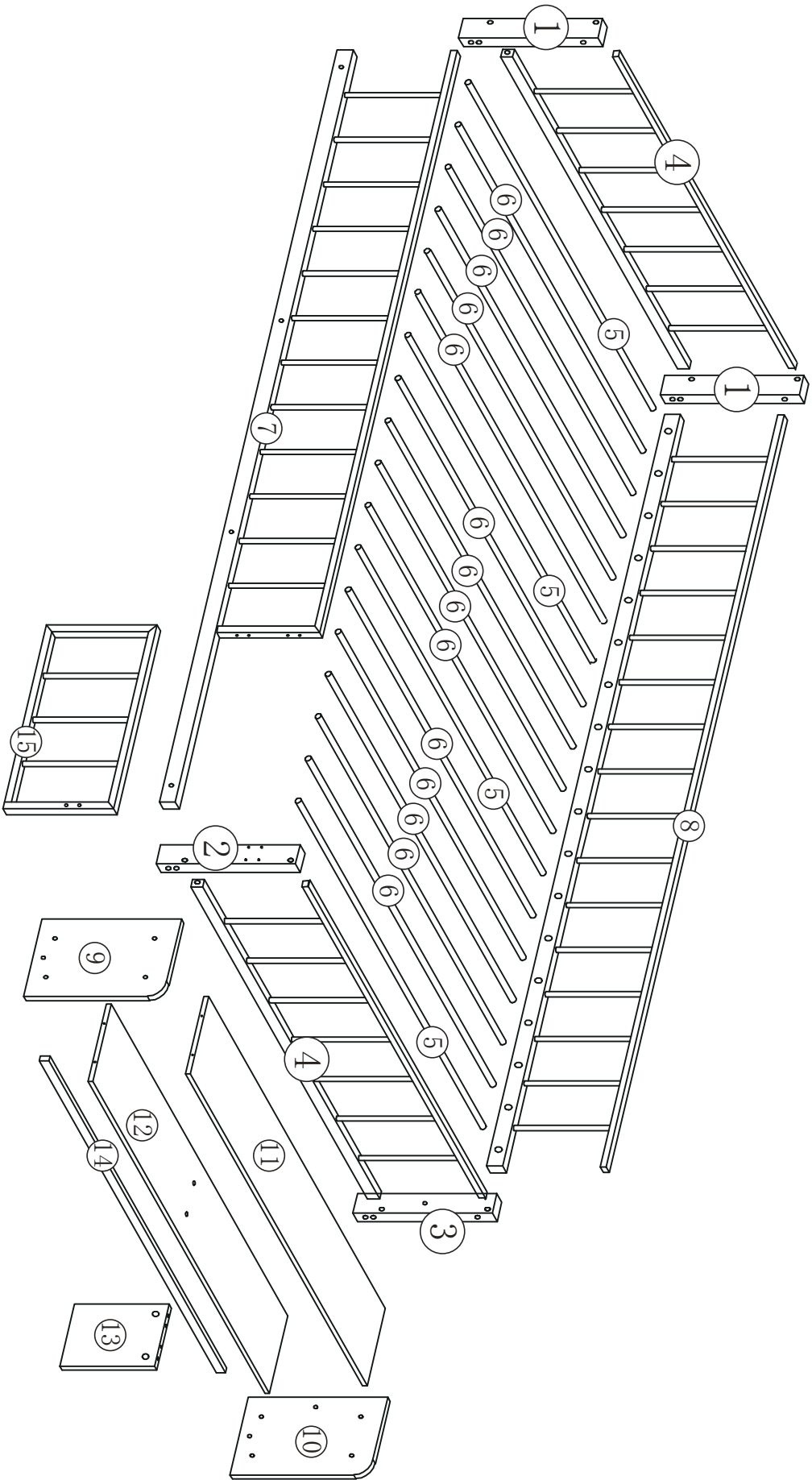
**DE:** Vor dem Einbau die Schrauben in die Löcher stecken und festziehen, aber nicht bis 100%, 70% bis 80% anziehen reicht aus. Schließlich, nachdem alle Schrauben installiert sind, ziehen Sie alle Schrauben auf 100%. Wenn Sie auf diese Probleme stoßen, wie z. B. Fehlausrichtung der Löcher oder Unfähigkeit, bestimmte Teile zu installieren, überprüfen Sie bitte, ob die Schrauben korrekt verwendet werden und passen Sie die Dichtigkeit der Schrauben an.

**UK:** Before installation, insert the screws into the holes and tighten them, but do not tighten them to 100%, 70% to 80% is sufficient. Finally, after all screws are installed, tighten all screws to 100%. If you encounter these issues, such as if the holes cannot be aligned or some parts cannot be installed, please check if the screws are used correctly and adjust the tightness of the screws.




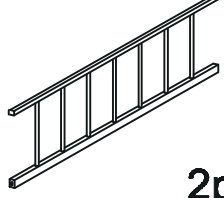
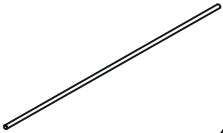
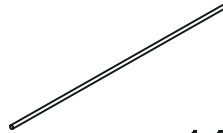
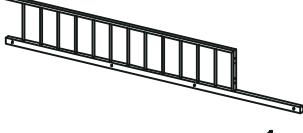
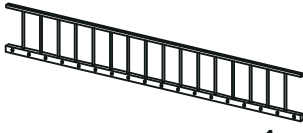
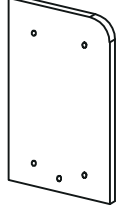
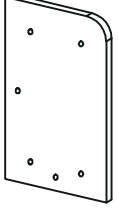
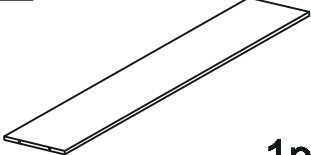
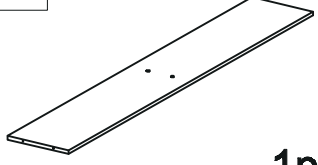
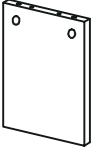
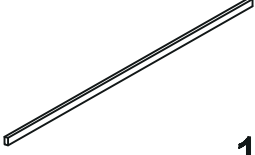
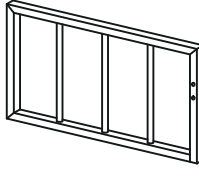
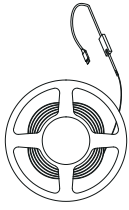
**FR:** Insérer la vis dans le trou avant la fin de l'assemblage, serrer la vis, mais ne pas serrer à 100%, 70% ~ 80% est correct. Enfin, une fois que toutes les vis sont bien serrées, toutes les vis sont serrées à 100%. Si vous rencontrez ces problèmes, par exemple si les trous ne sont pas alignés ou si certaines pièces ne peuvent pas être montées, vérifiez que les vis sont utilisées correctement et Ajustez leur serrage.

Importeur	Decobus Handel GmbH		
Adresse	Innungsstraße 9, 21244 Buchholz Deutschland		
URL	<a href="https://www.decobusgroup.de">https://www.decobusgroup.de</a>		
Hersteller	<b>XIAMEN GRACE HOME DESIGN IMPORT AND EXPORT CO., LTD.</b>		
Adresse	<b>ZHANGZHOU LONGHAI FLOATING PALACE</b>		
Email	<b>gracehome001@163.com</b>		
<table border="1" style="display: inline-table; vertical-align: middle;"> <tr> <td>EC</td> <td>REP</td> </tr> </table>	EC	REP	Decobus Handel GmbH Innungsstraße 9, 21244 Buchholz Deutschland <a href="https://www.decobusgroup.de">https://www.decobusgroup.de</a>
EC	REP		
	Hergestellt in China		








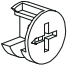


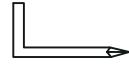
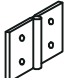
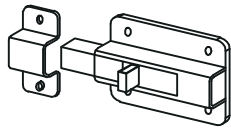

# Detail View



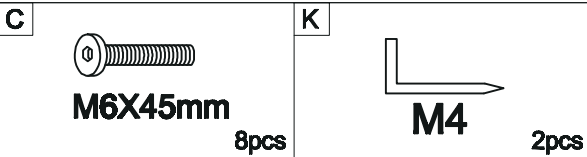
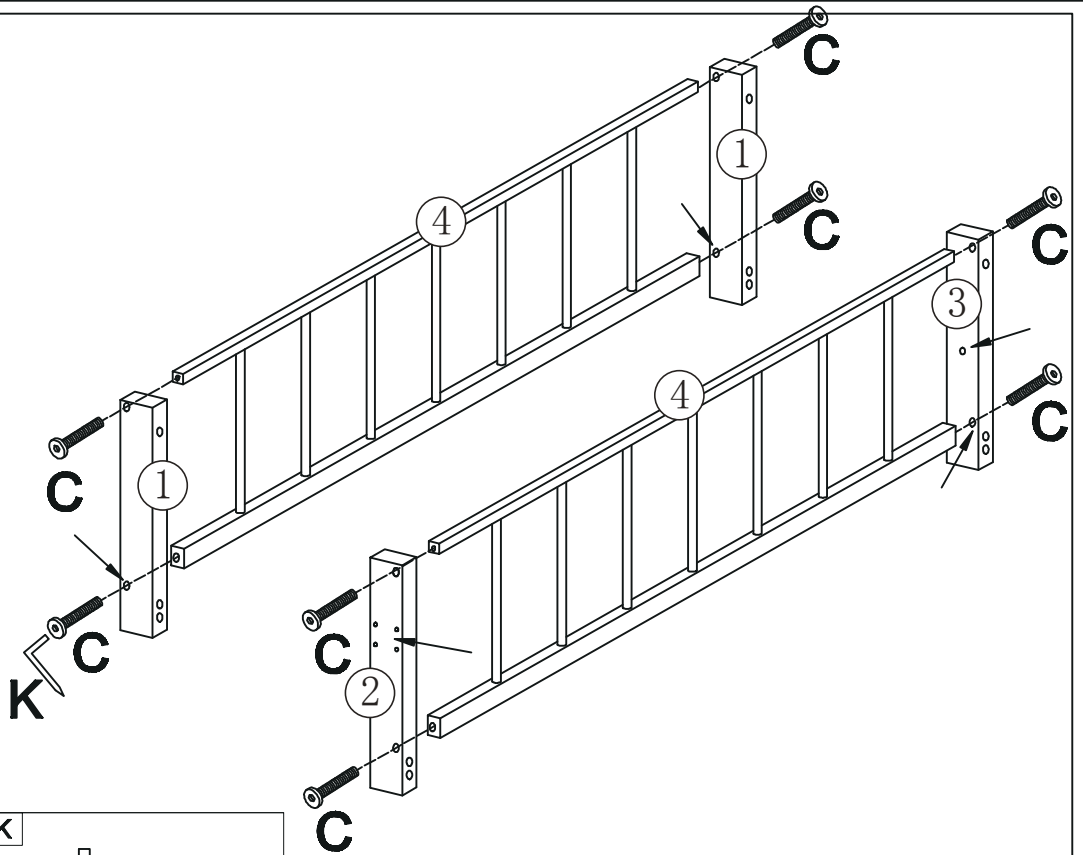
# PART LIST

<p><b>1</b></p>  <p><b>2pcs</b></p>	<p><b>2</b></p>  <p><b>1pc</b></p>	<p><b>3</b></p>  <p><b>1pc</b></p>	<p><b>4</b></p>  <p><b>2pcs</b></p>
<p><b>5</b></p>  <p><b>4pcs</b></p>	<p><b>6</b></p>  <p><b>14pcs</b></p>	<p><b>7</b></p>  <p><b>1pc</b></p>	<p><b>8</b></p>  <p><b>1pc</b></p>
<p><b>9</b></p>  <p><b>1pc</b></p>	<p><b>10</b></p>  <p><b>1pc</b></p>	<p><b>11</b></p>  <p><b>1pc</b></p>	<p><b>12</b></p>  <p><b>1pc</b></p>
<p><b>13</b></p>  <p><b>1pc</b></p>	<p><b>14</b></p>  <p><b>1pc</b></p>	<p><b>15</b></p>  <p><b>1pc</b></p>	<p><b>L</b></p>  <p><b>1pc</b></p>

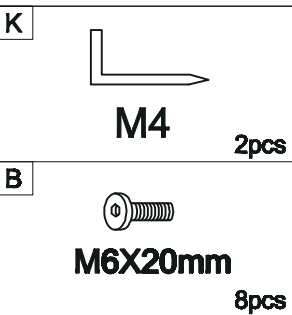
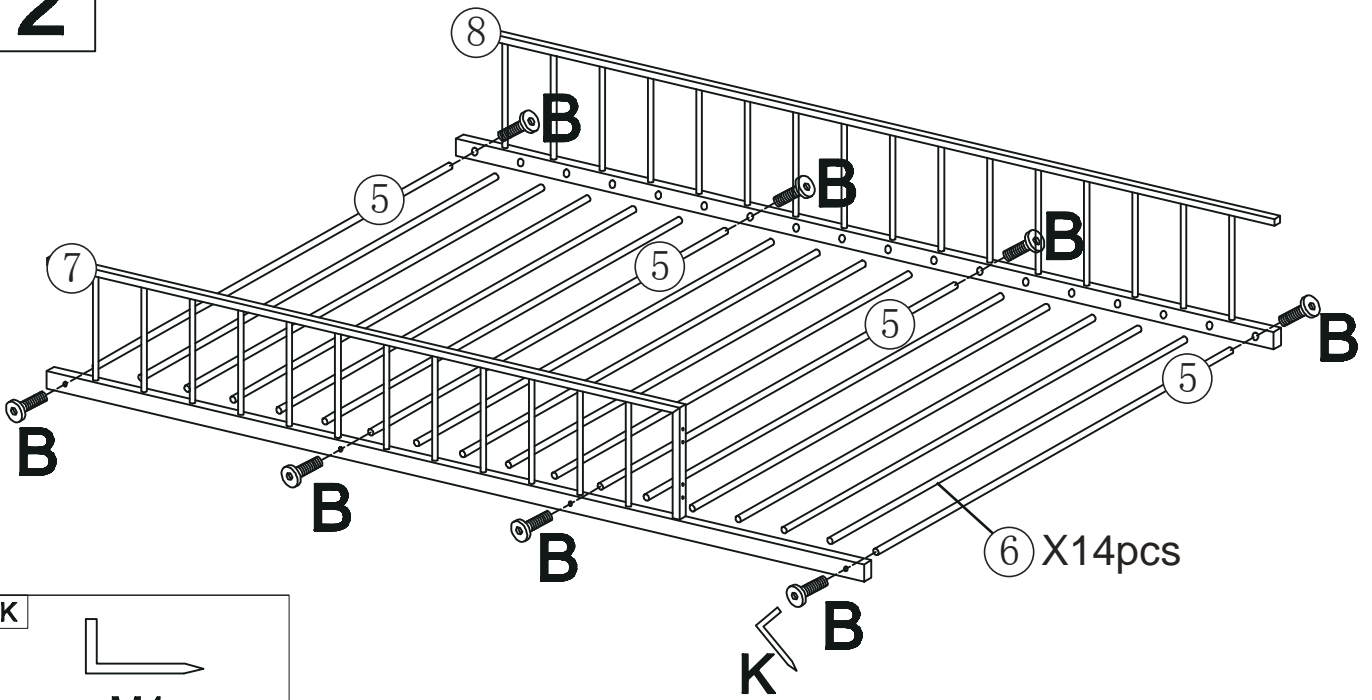
# HARDWARE LIST

<p><b>A</b></p>  <p><b>M6X12mm</b> 4pcs</p>	<p><b>B</b></p>  <p><b>M6X20mm</b> 8pcs</p>	<p><b>C</b></p>  <p><b>M6X45mm</b> 10pcs</p>	<p><b>D</b></p>  <p><b>M6X40mm</b> 10pcs</p>
<p><b>E</b></p>  <p><b>M6X70mm</b> 11pcs</p>	<p><b>F</b></p>  <p><b>M3X12mm</b> 14pcs</p>	<p><b>G</b></p>  <p><b>φ6x35mm</b> 2pcs</p>	<p><b>H</b></p>  <p><b>φ15x10mm</b> 2pcs</p>
<p><b>I</b></p>  <p><b>φ6x30mm</b> 2pcs</p>	<p><b>J</b></p>  <p><b>2pcs</b></p>	<p><b>K</b></p>  <p><b>M4</b> 2pcs</p>	<p><b>M</b></p>  <p><b>2pcs</b></p>
<p><b>N</b></p>  <p><b>1pc</b></p>	<p><b>O</b></p>  <p><b>1pc</b></p>		

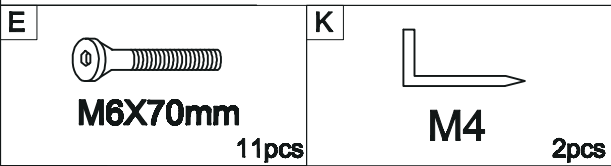
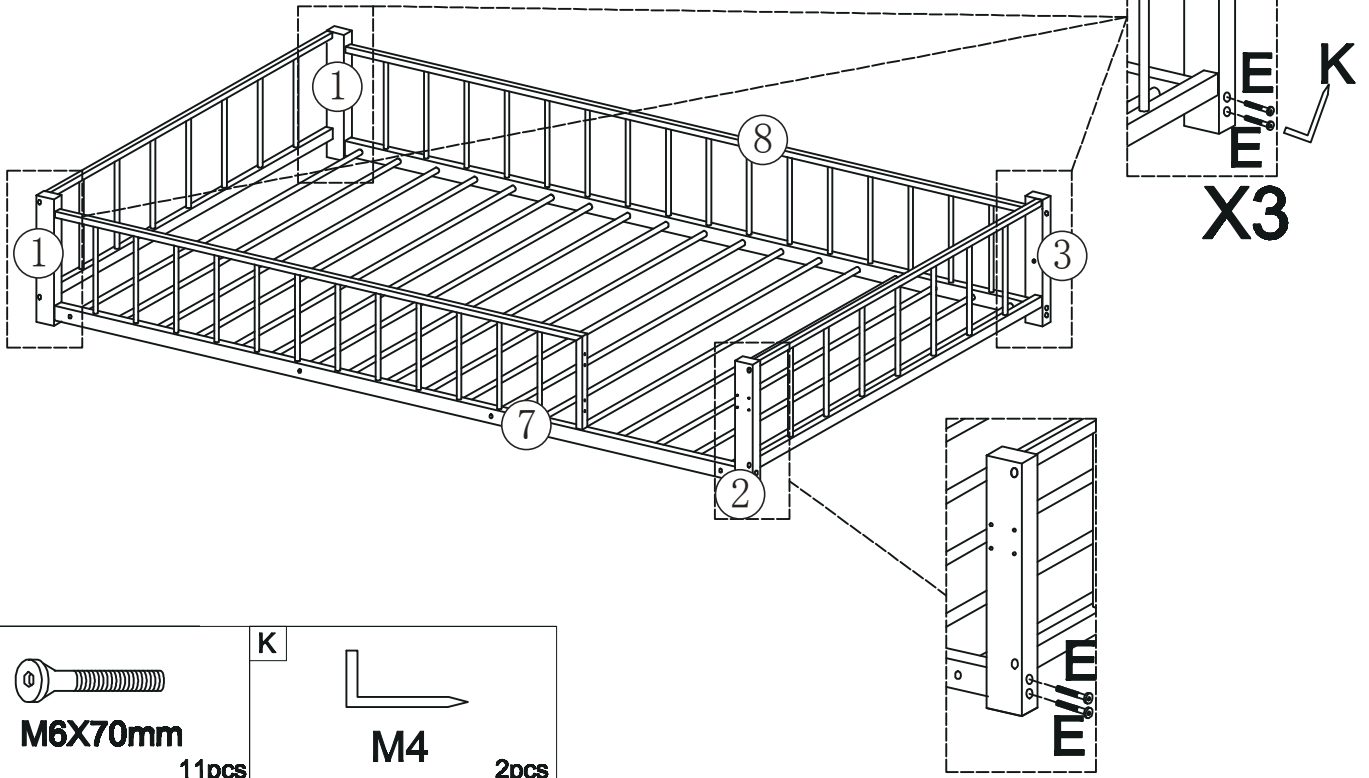
1



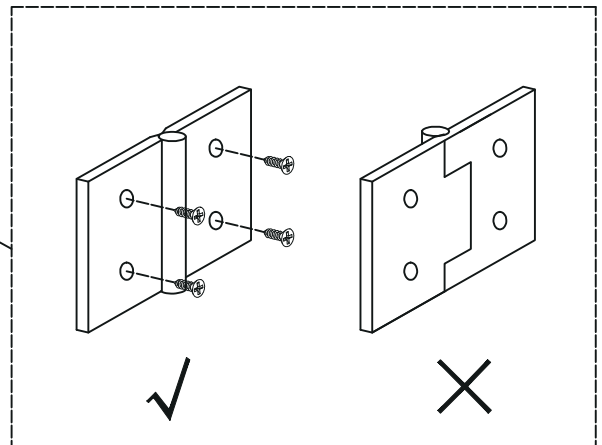
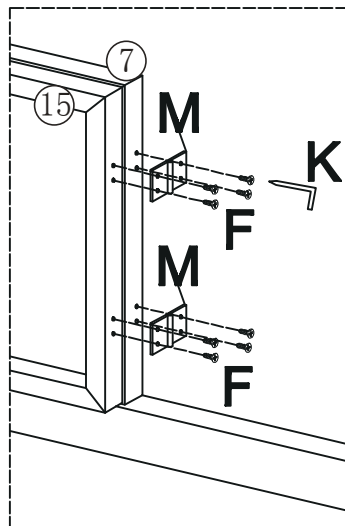
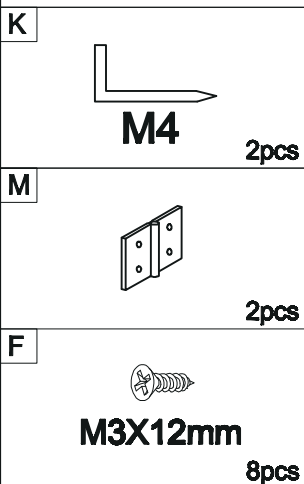
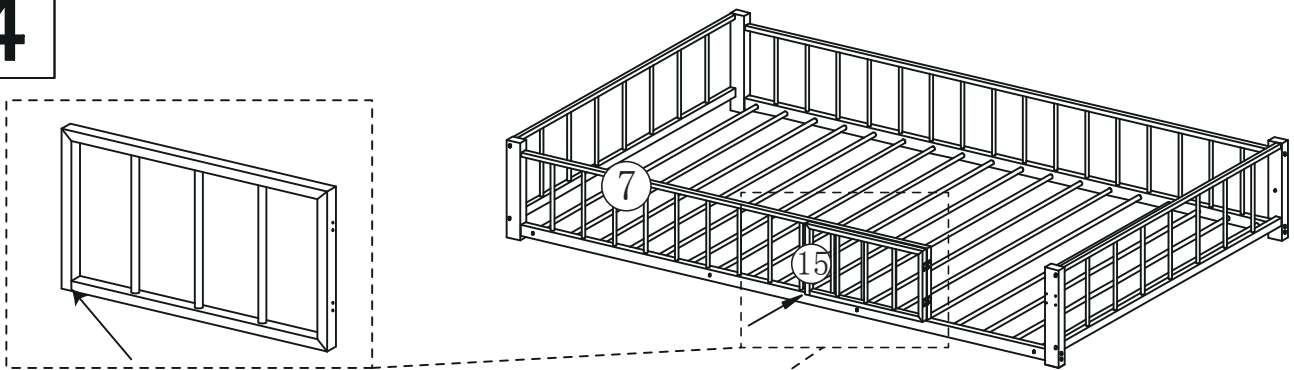
2



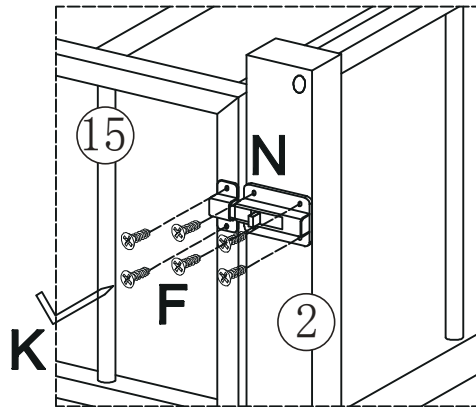
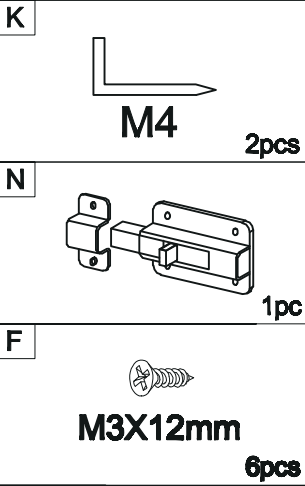
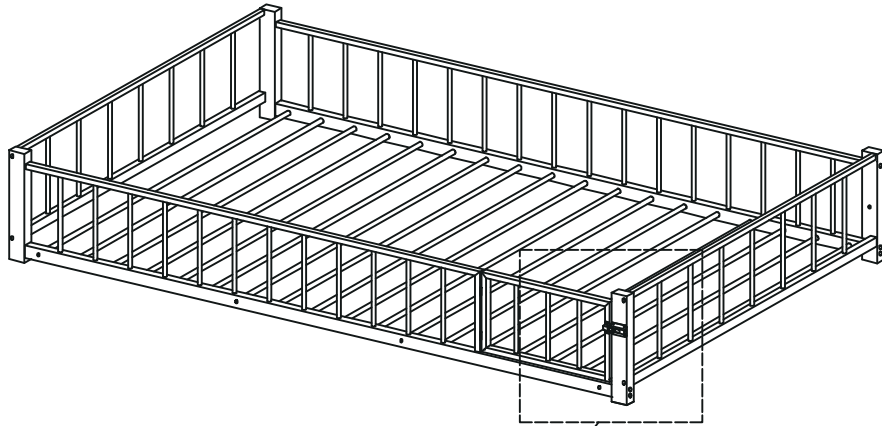
# 3



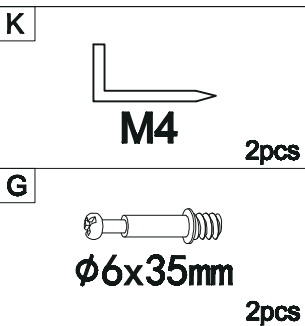
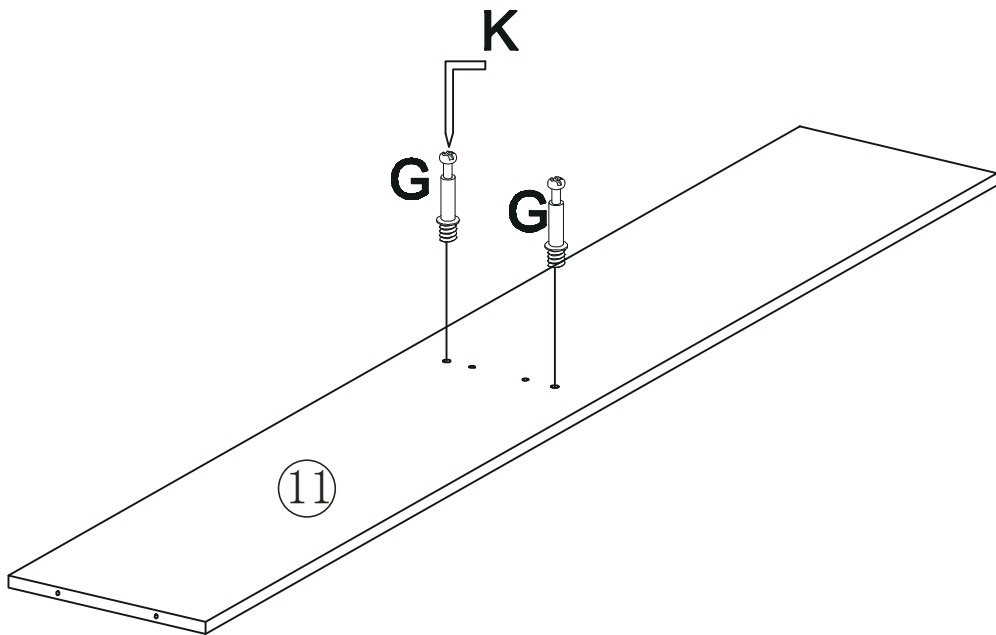
# 4



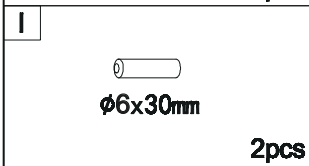
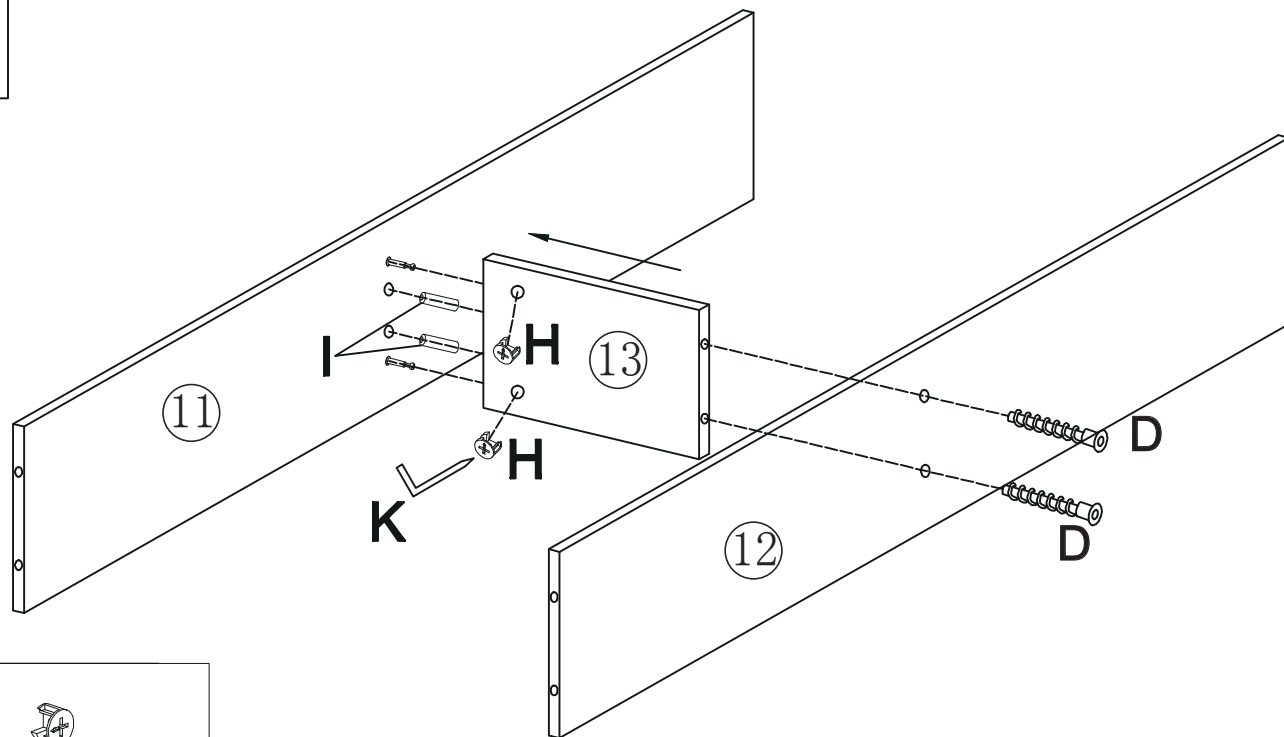
5



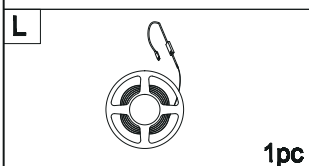
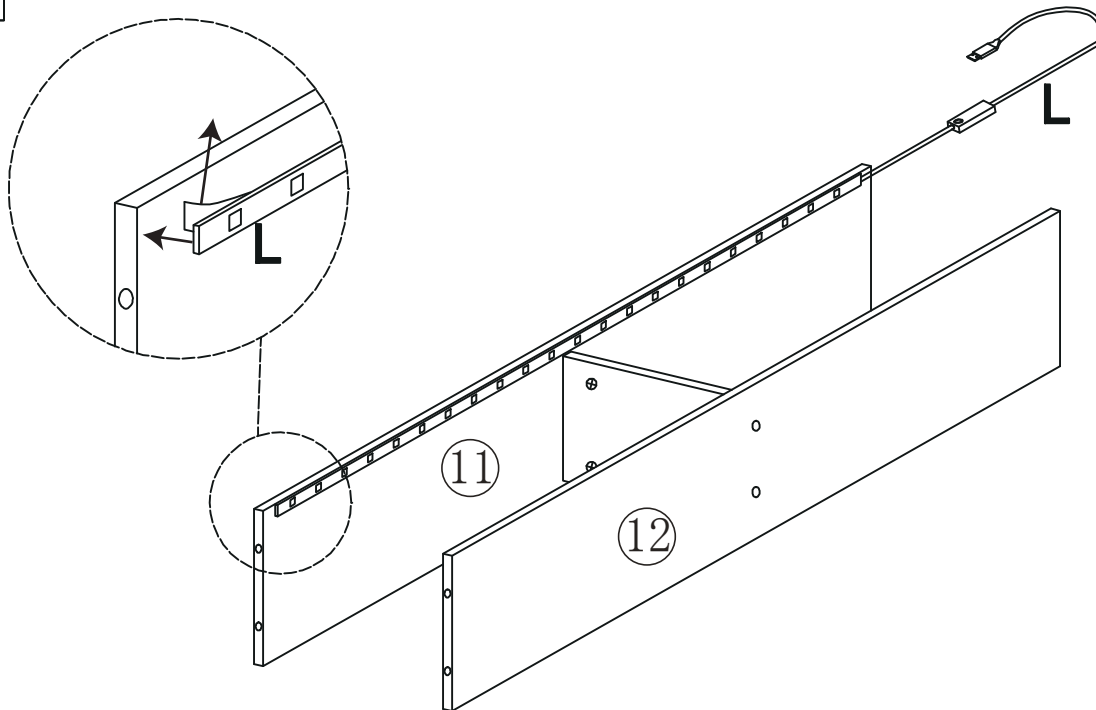
6



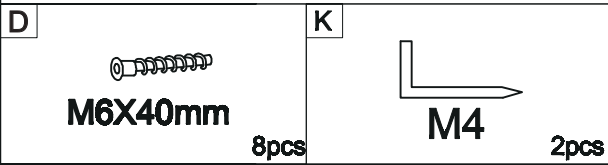
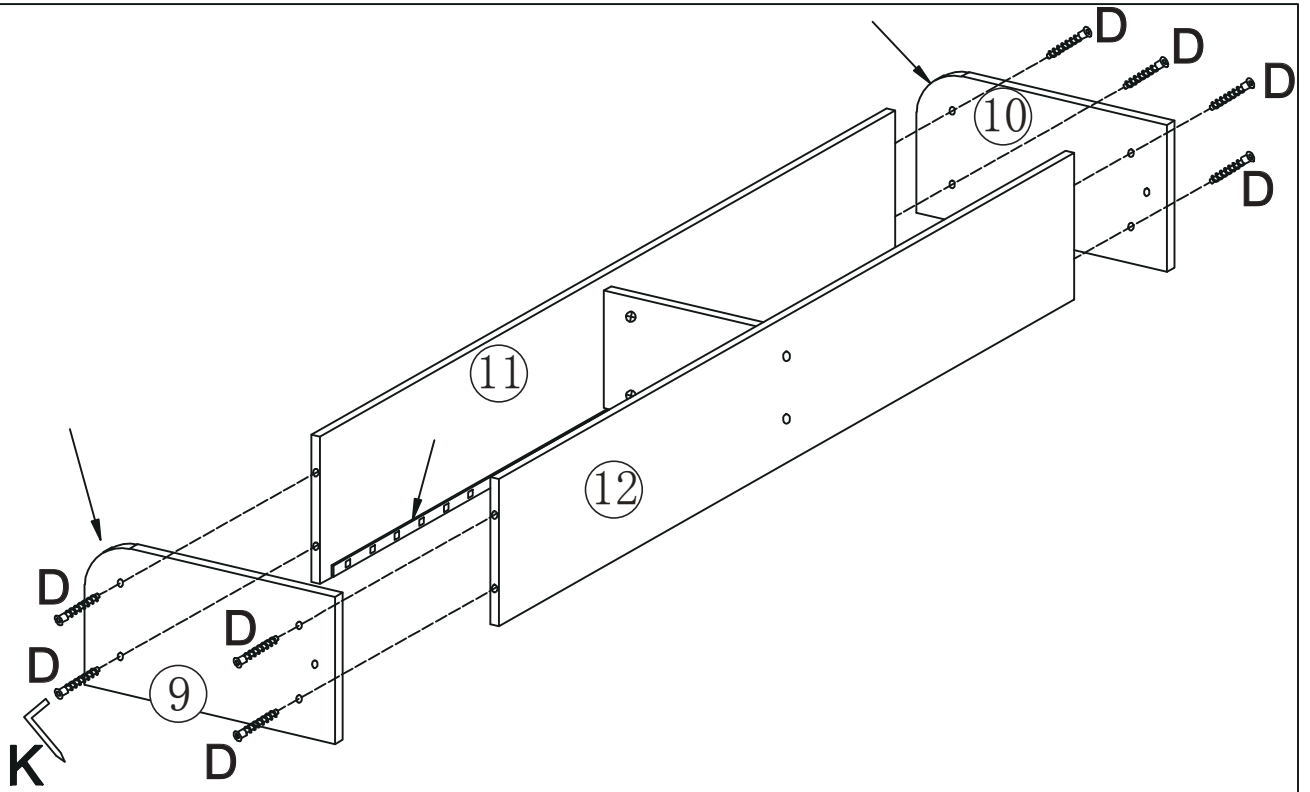
7



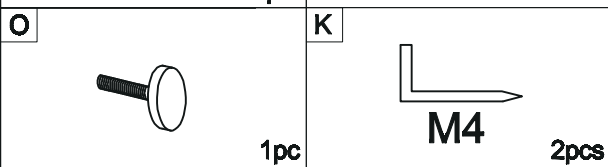
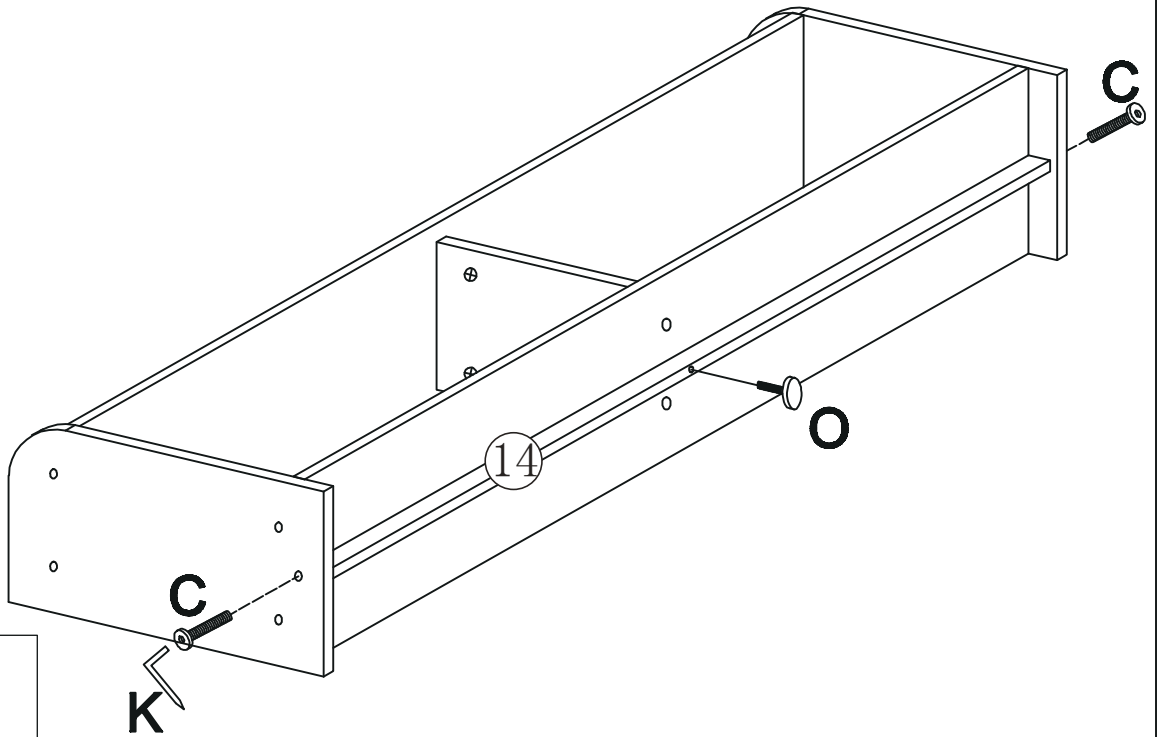
8



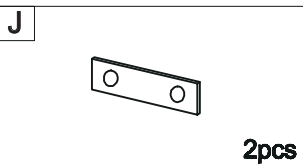
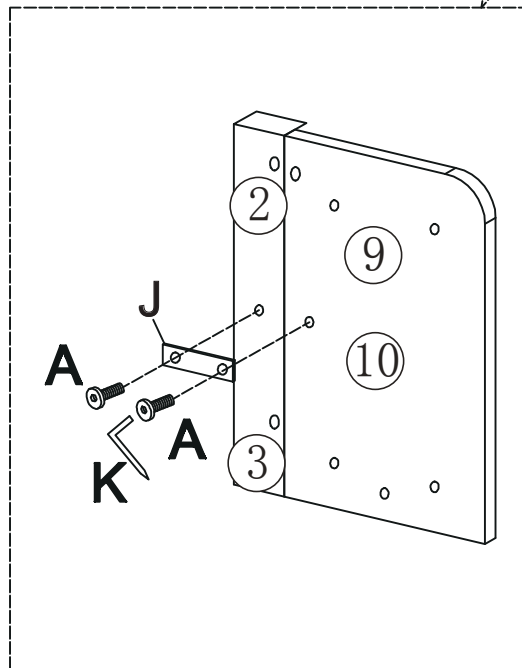
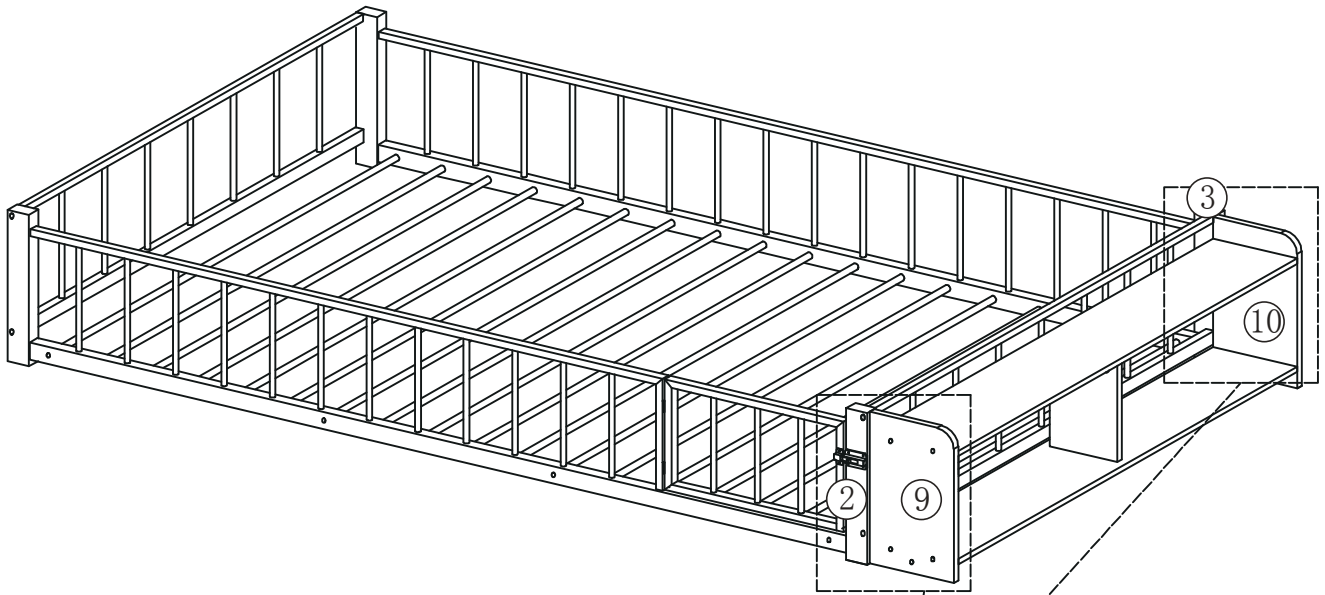
9



10



11



2pcs



# LotusLantern APP Manual

## 1. Software Overview

### 1.1 Overview

LotusLantern is a mobile APP to control LED strip by both Apple and Android phones.

The traditional control ways like infrared, 433MHz, 2.4GHz and others old wired ways will be replaced by mobile phone control way with convenient, powerful and scalable features.

Through this mobile APP, you can not only control the color, brightness and color temperature of the LED strips but also set up all kinds of fancy flash mode ; Also this APP can change the light of the LED strip according to the rhythm of the music. This APP can set and control several LED strips through Bluetooth and the operation is very simple, easy to learn and easy to use.

### 1.2 Features

- Adjust color LED strips with 60,000 colors to change color and brightness and adjust monochrome LED strips to change brightness and color temperature
- Play music or turn on a sound playback device, you can let the light change the color and brightness with the rhythm of music, the music rhythm beautiful
- Inside multiple setting mode for color change and control LED strips without mobile
- Long distance control with omni-directional antenna, and many-to-many group control mode
- Once the connection is successful, connect automatically next time

### 1.3 Performance

LotusLantern APP is easy for use as well as great compatible for all kinds of smart phones; After the actual test of hundreds of mobile phones verification, the compatibility is above 95% of mobile phones in the market. APP is small and convenient, it consumes less system resources, so the requirements of the mobile configuration are low. Control delay is small, the operation feel good, light control is smooth with people's visual sense.

## 2. Operating Environment

This APP program requires phones of system above Android 4.3 and iOS 8.0. Mobile phone configuration is not limited.

## 3. Instructions

Note: Android version and iOS version download and use the same method, here in the Android version as an example.

### 3.1 APP Download

Scan the QR code

iOS and Android systems can download the "LotusLantern" APP by scanning the QR code. Open the browser or other tools with "Scan QR code" function, scan the "LotusLantern" QR code as below:

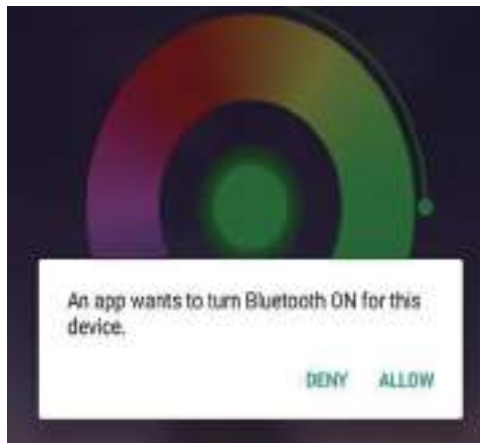


### 3.2 App Operation

- (1) Click on the LotusLantern APP icon, enter the APP page:



(2) After entering the APP interface, if Bluetooth is not enabled, "an application wants to enable the Bluetooth function of this device." Click [Allow]



(3) switch to color and brightness interface:

Click to show the lamp list

Switch the color wheel

Display the RGB value  
Click to manual adjustment view

Click to display setting view

Lamp switch button

Adjust the color

Click square icon to adjust the color

Click to shift the interface

(4) click to show the lamp list, view lamp list:

Bluetooth auto connect  
after search for devices

Lamp list

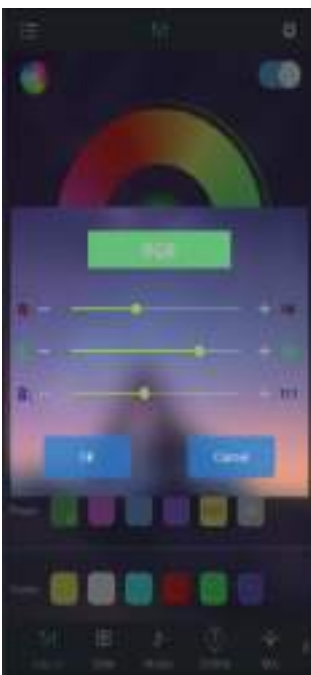


Status of device connection



Status of device connection

(5) Click to RGB manual adjustment view:

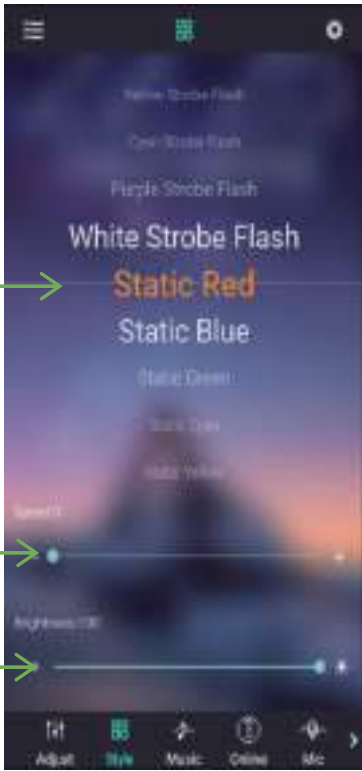


(6) switch to the mode interface:

Scroll the selection mode

Adjust seed

Adjust luminance



(7) switch to the music rhythm interface:

Previous song, Pause/Play, Next song

Recycle mode

Music List

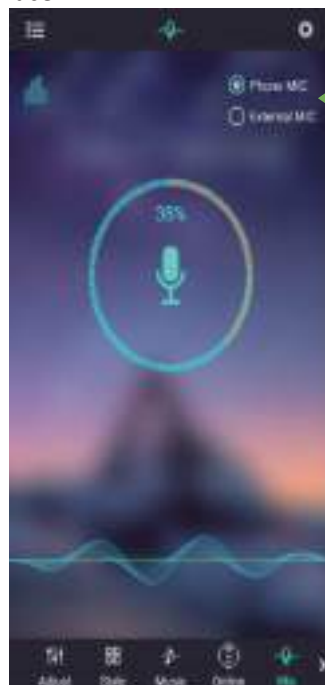


(8) Switch to the online music interface:



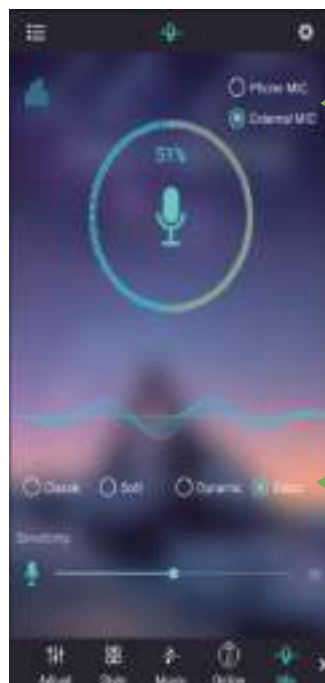
(9) Switch to the microphone rhythm interface:

Music rhythm through cell phone microphone



Switch phone microphone and external microphone

Music rhythm through the microphone on the product




Switch phone microphone and external microphone

4-style rhythm

Change the sensitivity of MIC to match the sound

(10) Switch to the schedule interface:



Set the time of Light -On

Enable or disable the Light-On function

Repeat setting  
No selection for once Light -On

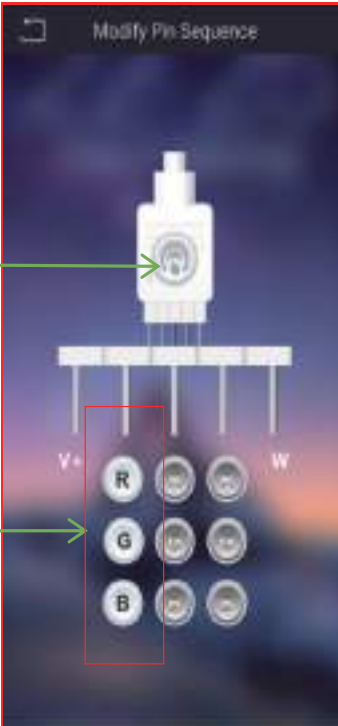
Set the time of Light -Off

Enable or disable the Light-Off function

Repeat setting  
No selection for once Light -Off

The screenshot shows a mobile application interface for scheduling lights. It is divided into two main sections: 'Schedule On' and 'Schedule Off'. Each section has a toggle switch to enable or disable the function. Below each toggle is a 'Time' field and a 'Repeat' setting consisting of seven circular buttons. The 'Repeat' buttons are currently unselected. At the bottom of the screen, there is a navigation bar with icons for 'Style', 'Music', 'Online', 'Mc', and 'Schedule'.

(11) Switch to the modify pin sequence interface:



Click to save the new assignment

Change the real color of this line

The screenshot shows a mobile application interface for modifying a pin sequence. At the top, there is a title 'Modify Pin Sequence'. Below the title is a 3D model of a pin header with six pins. Below the pin header is a keypad with three rows of buttons. The first row has buttons labeled 'V+', 'R', and 'W'. The second row has buttons labeled 'G' and 'B'. The third row has buttons labeled 'B' and 'W'. A red box highlights the 'R', 'G', and 'B' buttons in the second row. A red box also highlights the 'R' button in the first row. Arrows point from text boxes to these buttons.

Shenzhen ZKT Technology Co., Ltd.  
 1/F, No. 101, Building B, No. 6, Tangwei Community Industrial Avenue,  
 Fuhai Street, Bao'an District, Shenzhen, China



# Certificate of Compliance

Certificate Number: ZKT-25070715599C-R1

**Certificate's Holder** : Natulighting(shenzhen) TechnologyCo.,LTD  
 2nd Floor, Building A9, Xinghua Xiong Industrial Park,  
 Baihuadong, Guangming District, Shenzhen

**Manufacturer** : Natulighting(shenzhen) TechnologyCo.,LTD  
 2nd Floor, Building A9, Xinghua Xiong Industrial Park,  
 Baihuadong, Guangming District, Shenzhen

**Trade Mark** : N/A

**Product** : Colorful Light strip

**Model(s)** : 5V-60-RGB  
 5V-30-RGB

REQUIREMENT	STANDARD	Report No.
Art.3.1(a) Safety	EN IEC 62368-1:2024+A11:2024	ZKT-25070715600S-R1
Art.3.1(a) Health	EN IEC 62311:2020 EN 50665:2017	ZKT-25070715599E-1-R1
Art.3.1(b) EMC	ETSI EN 301 489-1 V2.2.3 (2019-11) ETSI EN 301 489-17 V3.3.1 (2024-09) ETSI EN 301 489-3 V2.3.2 (2023-01)	ZKT-25070715599E-2-R1
Art.3.2 Radio	ETSI EN 300 328 V2.2.2 (2019-07)	ZKT-25070715599E-3-R1
	ETSI EN 300 440 V2.2.1 (2018-07)	ZKT-25070715599E-4-R1

This Attestation of Compliance is issued on a voluntary basis for electrical equipment below the voltage limits of Radio Equipment Directive (RED) 2014/53/EU. The essential requirements are fulfilled accordingly based on the technical specifications applicable at the time of issuance.



This Certificate of Conformity is based on single evaluation of the submitted sample(s) of the above mentioned product. It does not imply an assessment of the whole product and relevant Directives to be observed.

Shenzhen ZKT Technology Co., Ltd.

1/F, No. 101, Building B, No. 6, Tangwei Community Industrial Avenue,  
Fuhai Street, Bao'an District, Shenzhen, China



# Certificate of Compliance

Certificate Number: ZKT-24122719691C

- Certificate's Holder** : Natu lighting (Shenzhen )Technology Co.,LTD.  
Floor 4, Building 3, Zone E, Xinyongfeng Industrial Park,  
Shilong Avenue, Shiyan Shuitian Sommunity, Baoan  
District, Shenzhen
- Manufacturer** : Natu lighting (Shenzhen )Technology Co.,LTD.  
Floor 4, Building 3, Zone E, Xinyongfeng Industrial Park,  
Shilong Avenue, Shiyan Shuitian Sommunity, Baoan  
District, Shenzhen
- Trade Mark** : NT
- Product** : Colorful light strip
- Model(s)** : 5V-60-RGB  
5V-30-RGB
- Test Method** : IEC 62321-3-1:2013, IEC 62321-4:2013+A1:2017, IEC  
62321-5:2013, IEC 62321-6:2015, IEC 62321-7-1:2015, IEC  
62321-7-2:2017, IEC 62321-8:2017

The following products have been tested by us and found in conformity with the (RoHS) Directive 2011/65/EU Annex II amending Annex (EU)2015/863 and amending Annex (EU)2017/2102. It is possible to use CE Marking to demonstrate the conformity with this Directive.It is only valid in connection with the test report number: ZKT-24122719691R.

# RoHS



This Certificate of Conformity is based on single evaluation of the submitted sample(s) of the above mentioned product. It does not imply an assessment of the whole product and relevant . Directives to be observed.