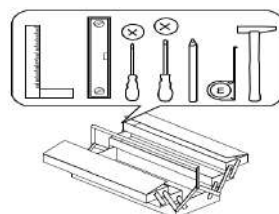
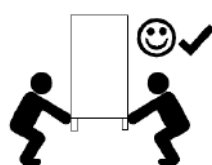
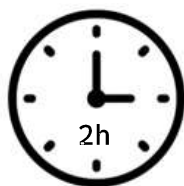
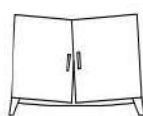
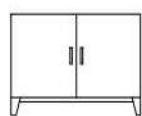
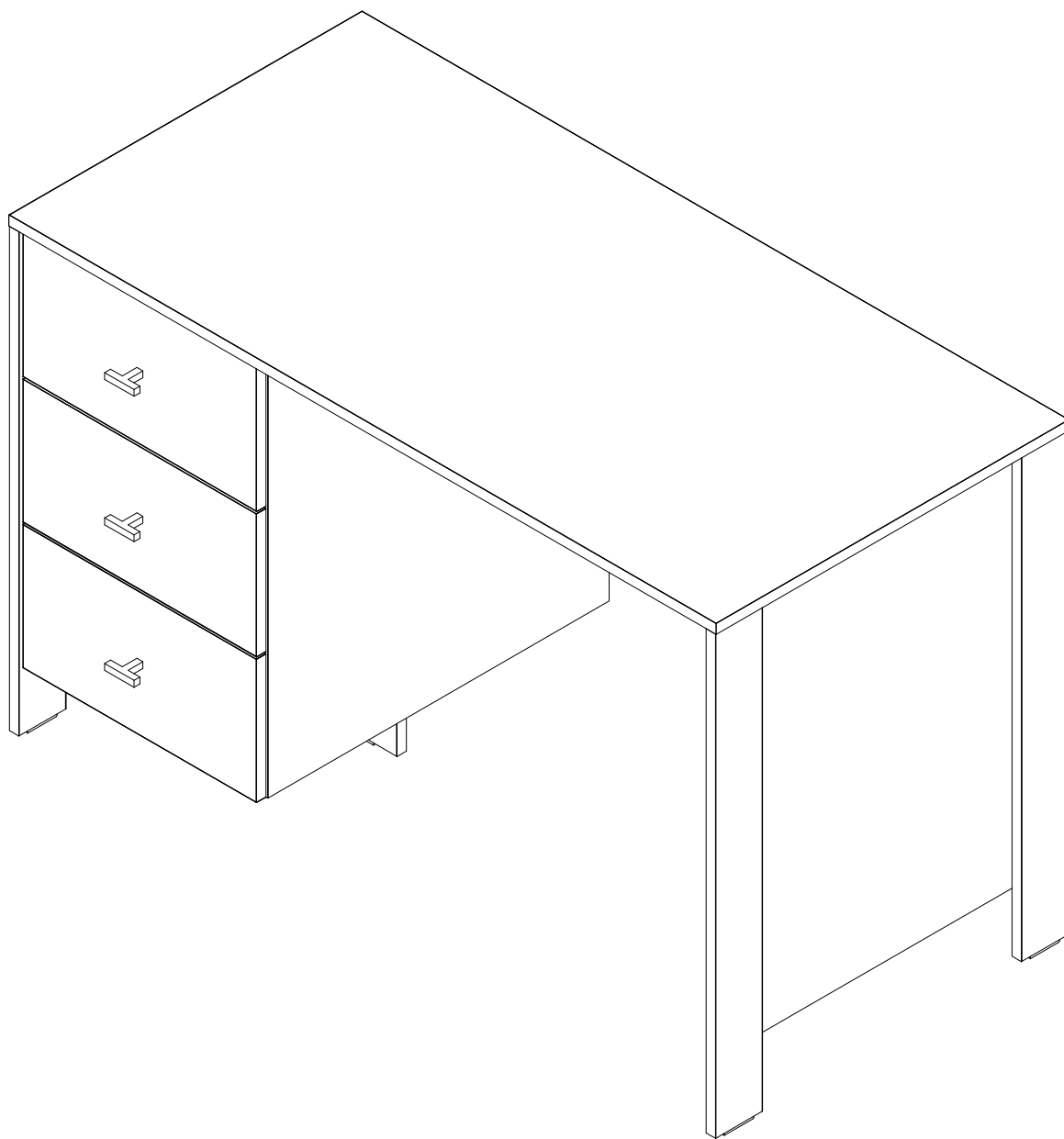
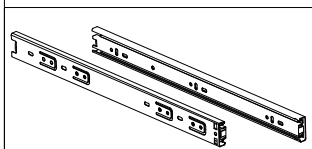
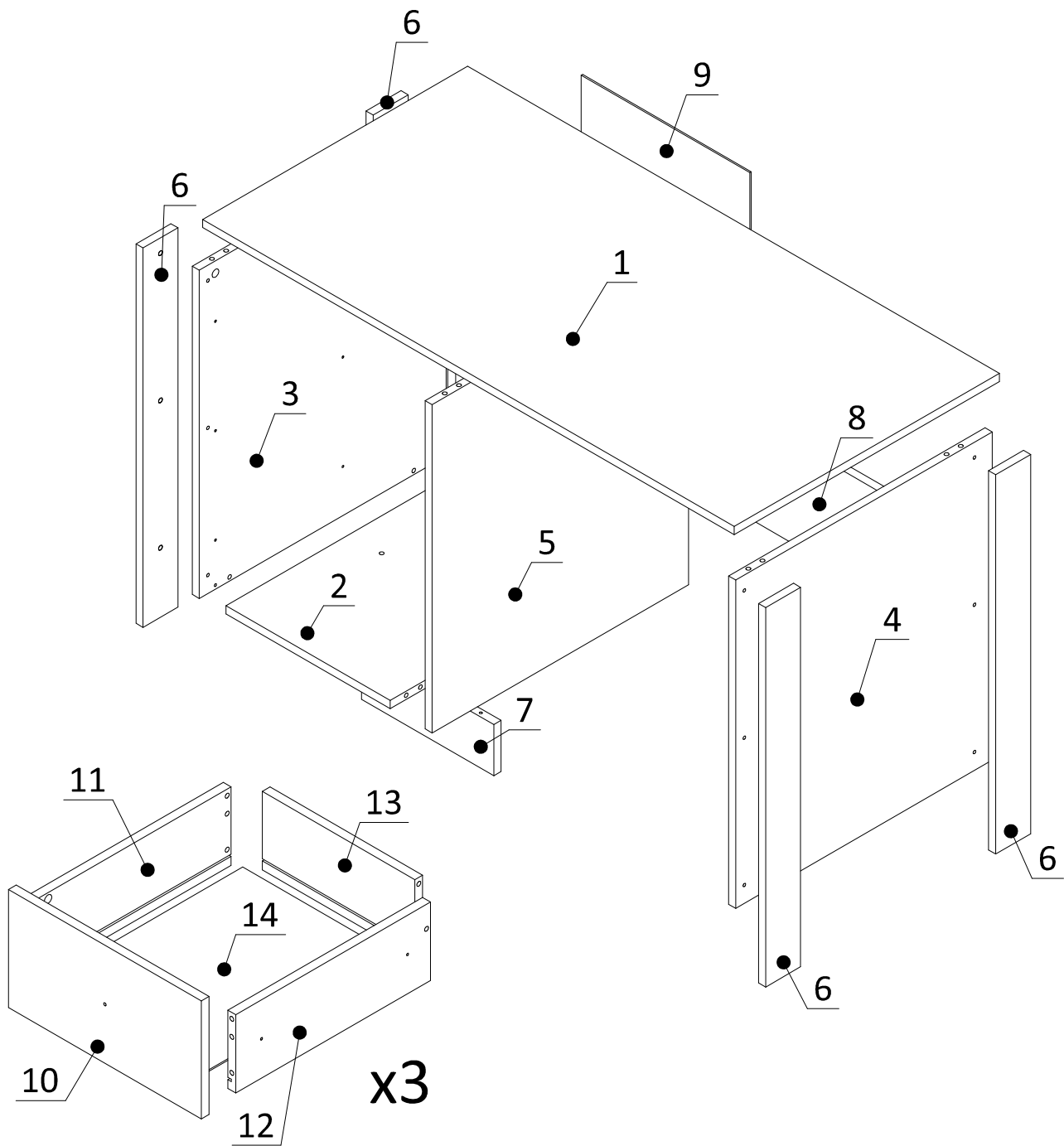
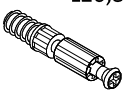
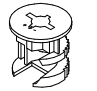
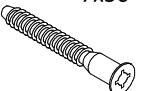
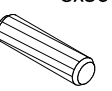

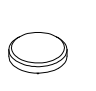
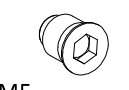
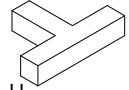

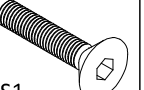
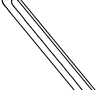
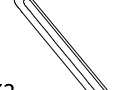

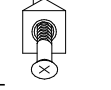
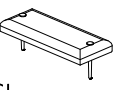



# ETHAN BIURKO 3SZ

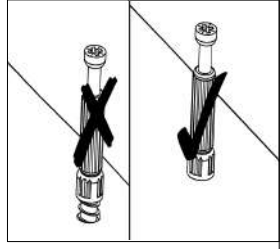
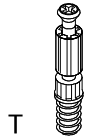
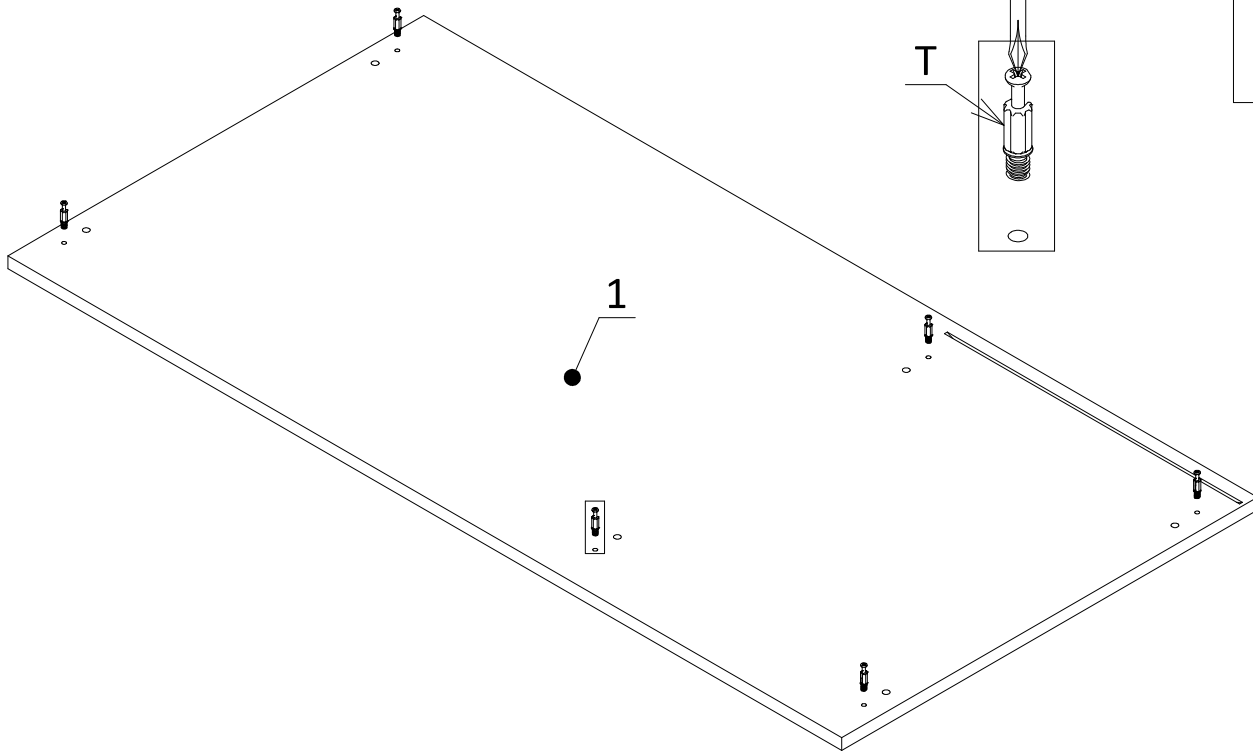




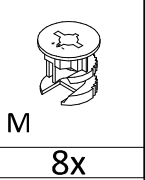
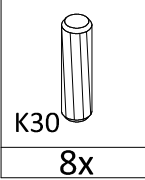
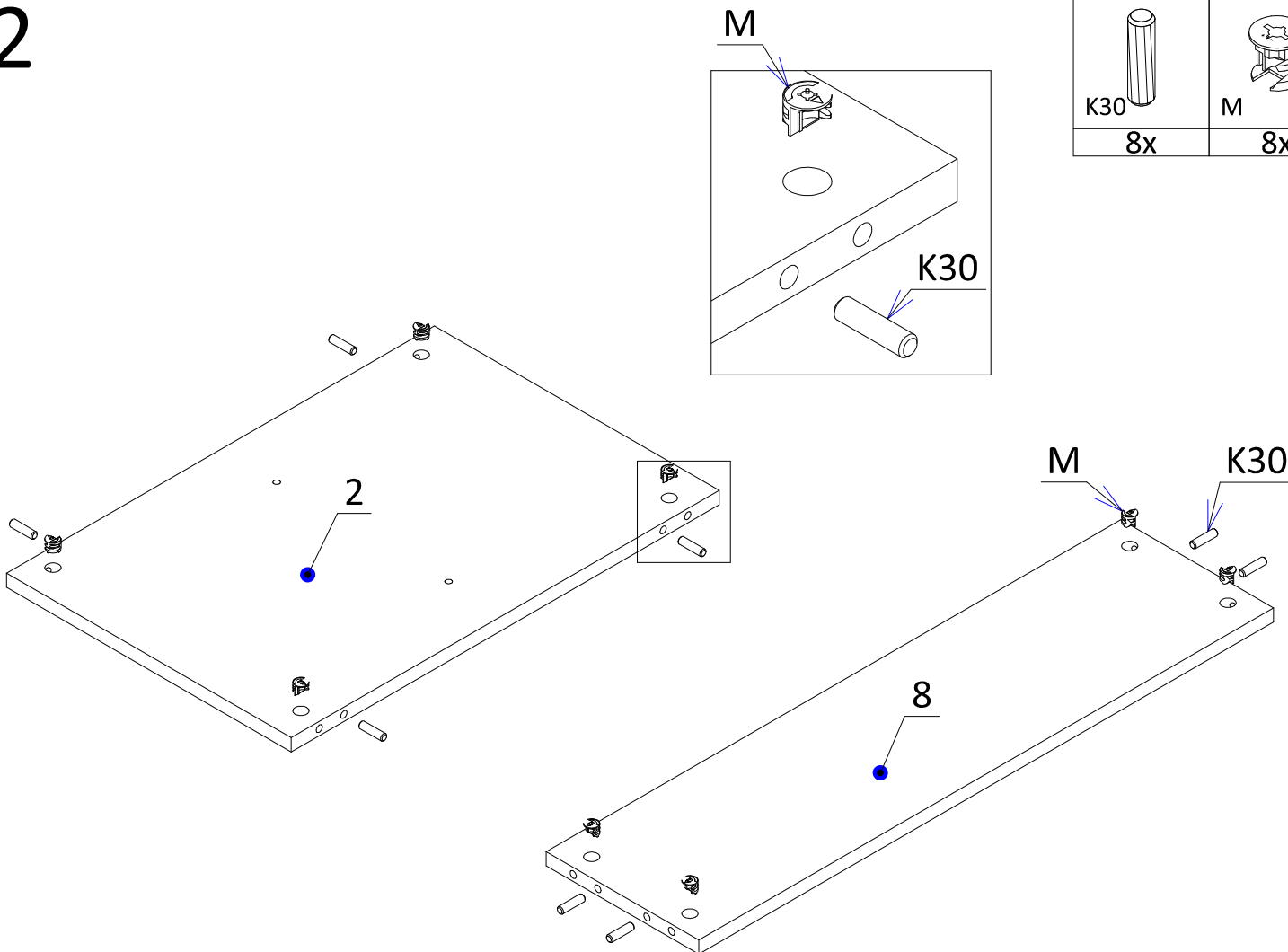
3kpl. PK-0H35-400

 L20,3 T 26x	 M 26x	 7x50 KF 8x	 8x30 K30 32x	 5x13 E x24	 ZK 12x				
 M6x12 MF 12x	 U 3x	 M4x25 WU 3x	 M6x25 S1 12x	 SW4 K1 1x	 SW6 K2 1x	 2x20 GW 4x	 ST 5x	 SL 6x	 ZM 26x

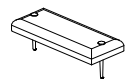
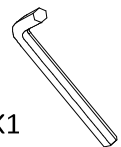

# 1

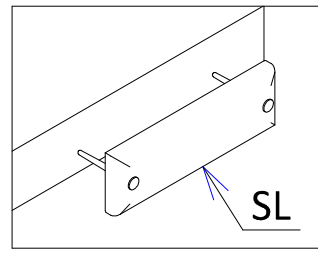
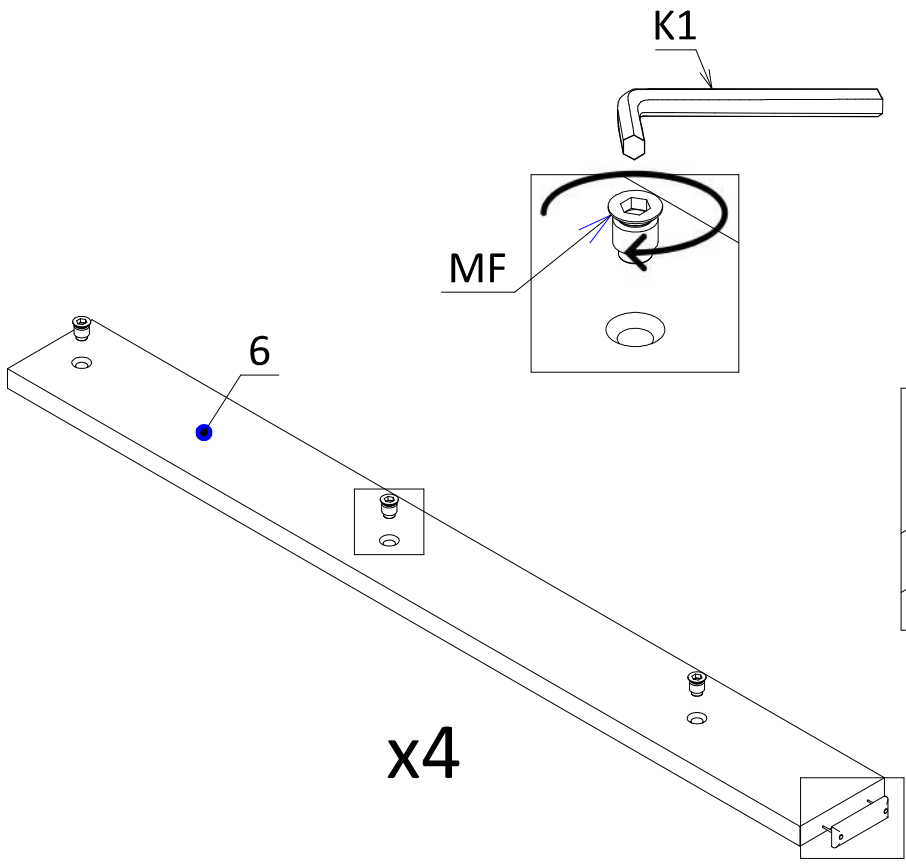


# 2

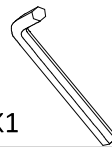
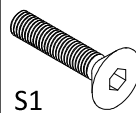

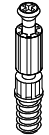



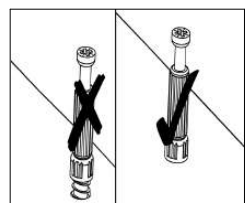
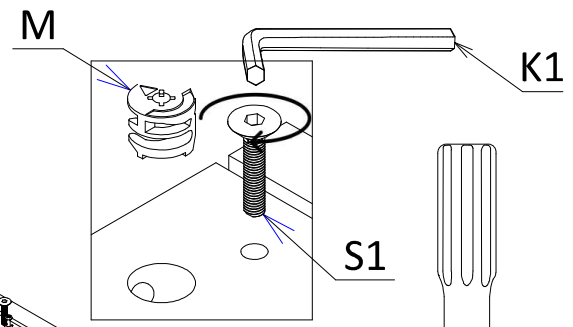
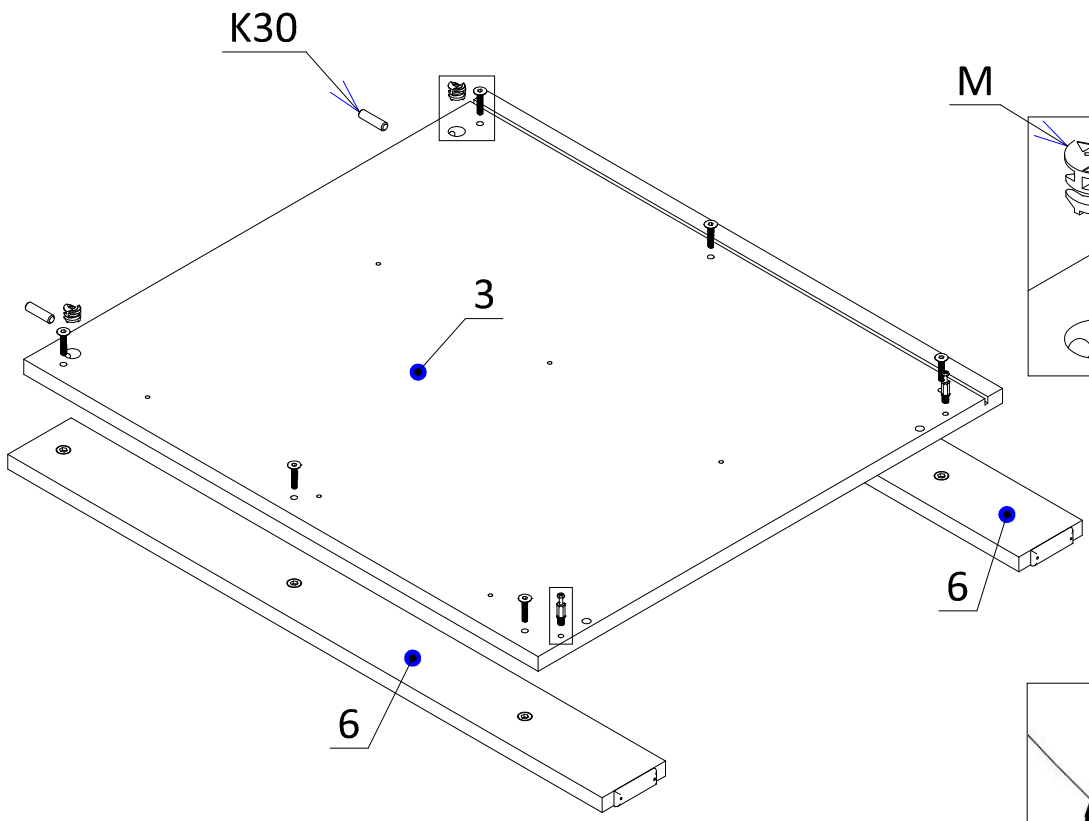
# 3

		
SL	K1	MF
4x	1x	12x

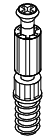
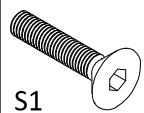


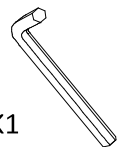


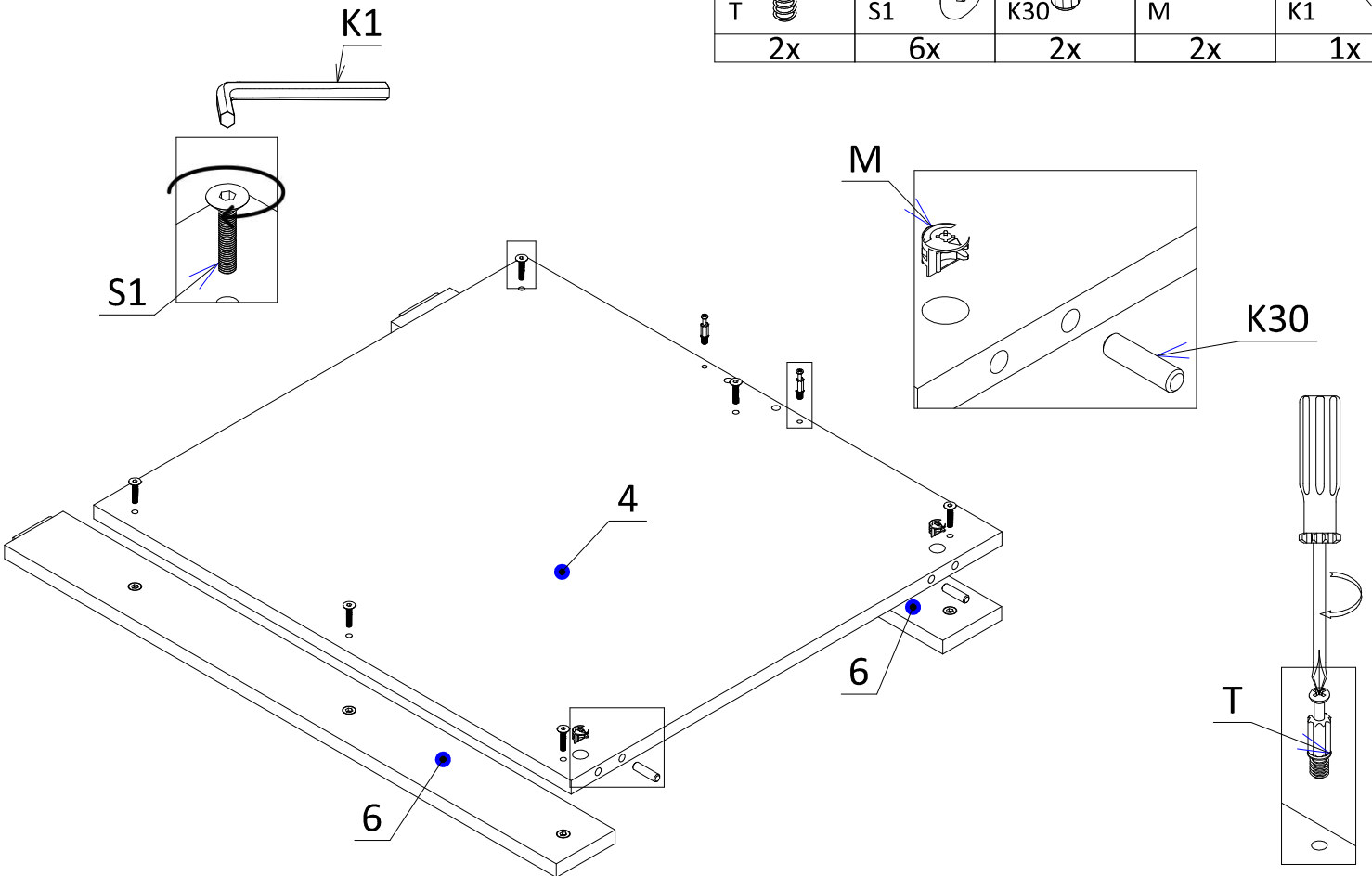
# 4

				
K1	S1	K30	T	M
1x	6x	2x	2x	2x

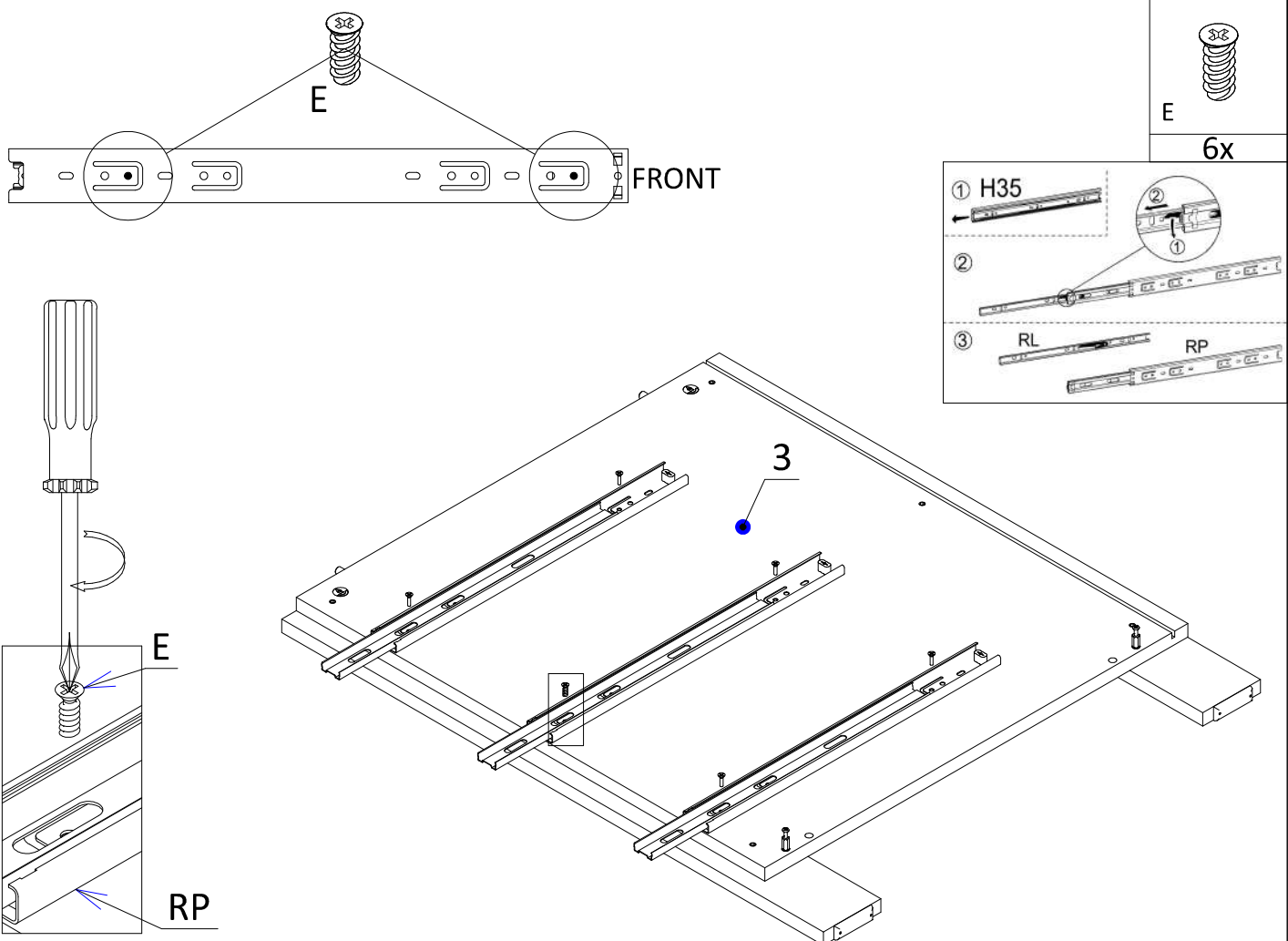


# 5

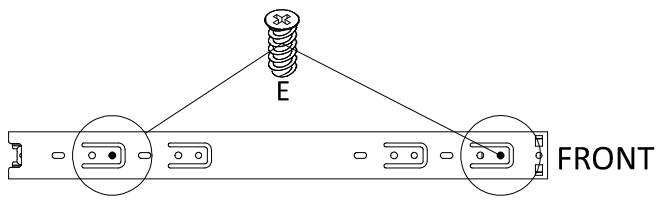
				
T	S1	K30	M	K1
2x	6x	2x	2x	1x







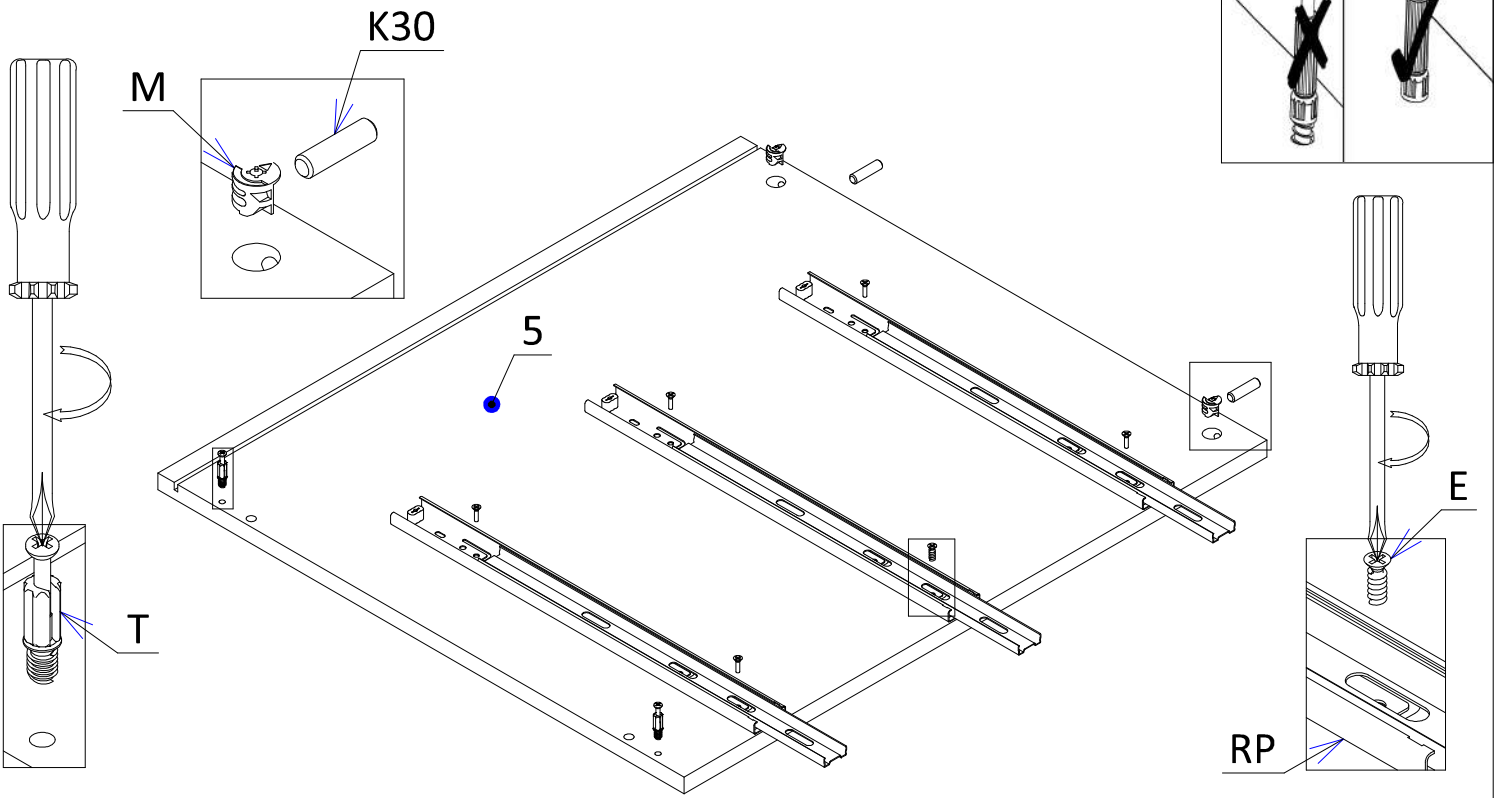
# 6



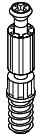
# 7

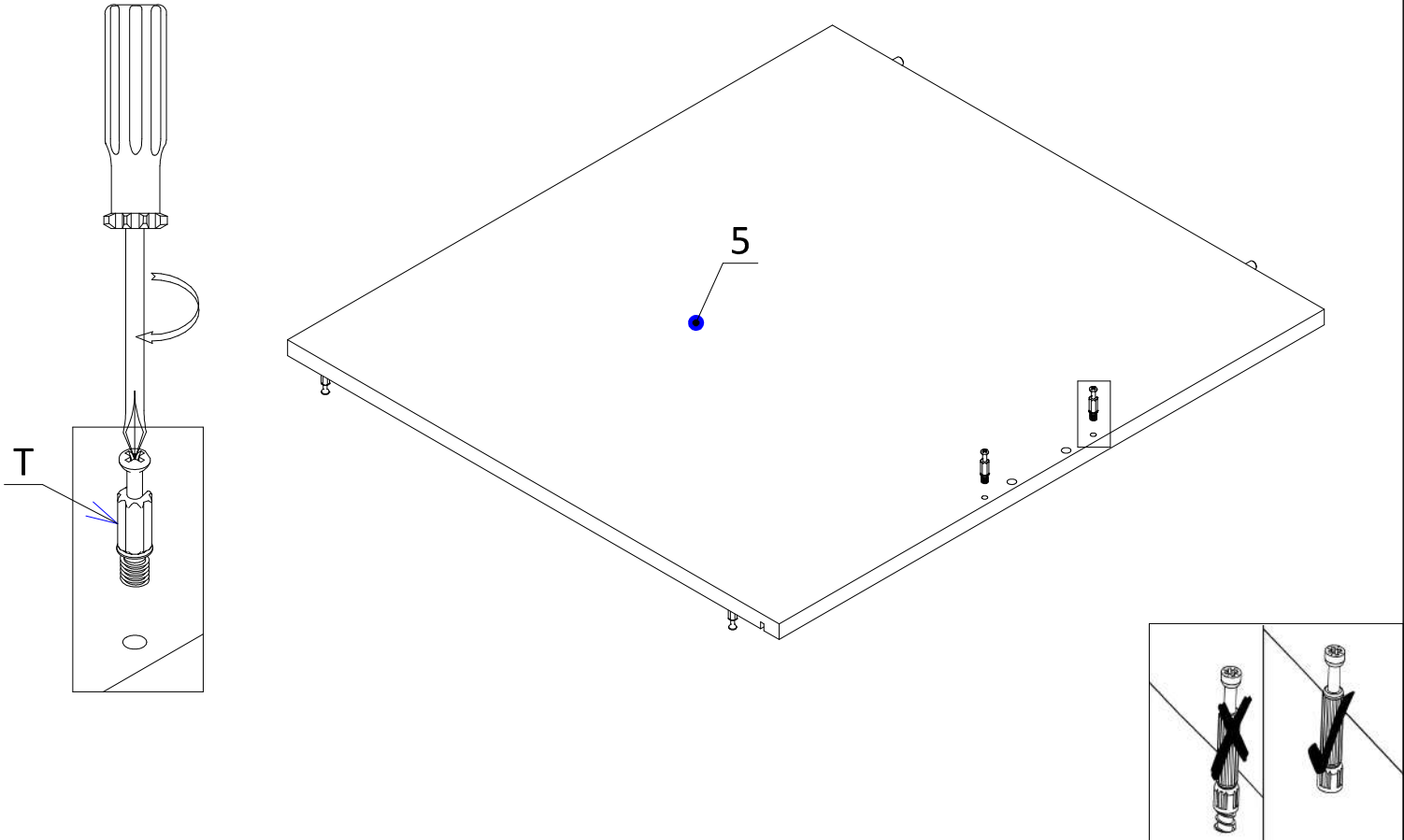


 E	 T	 M	 K30
6x	2x	2x	2x

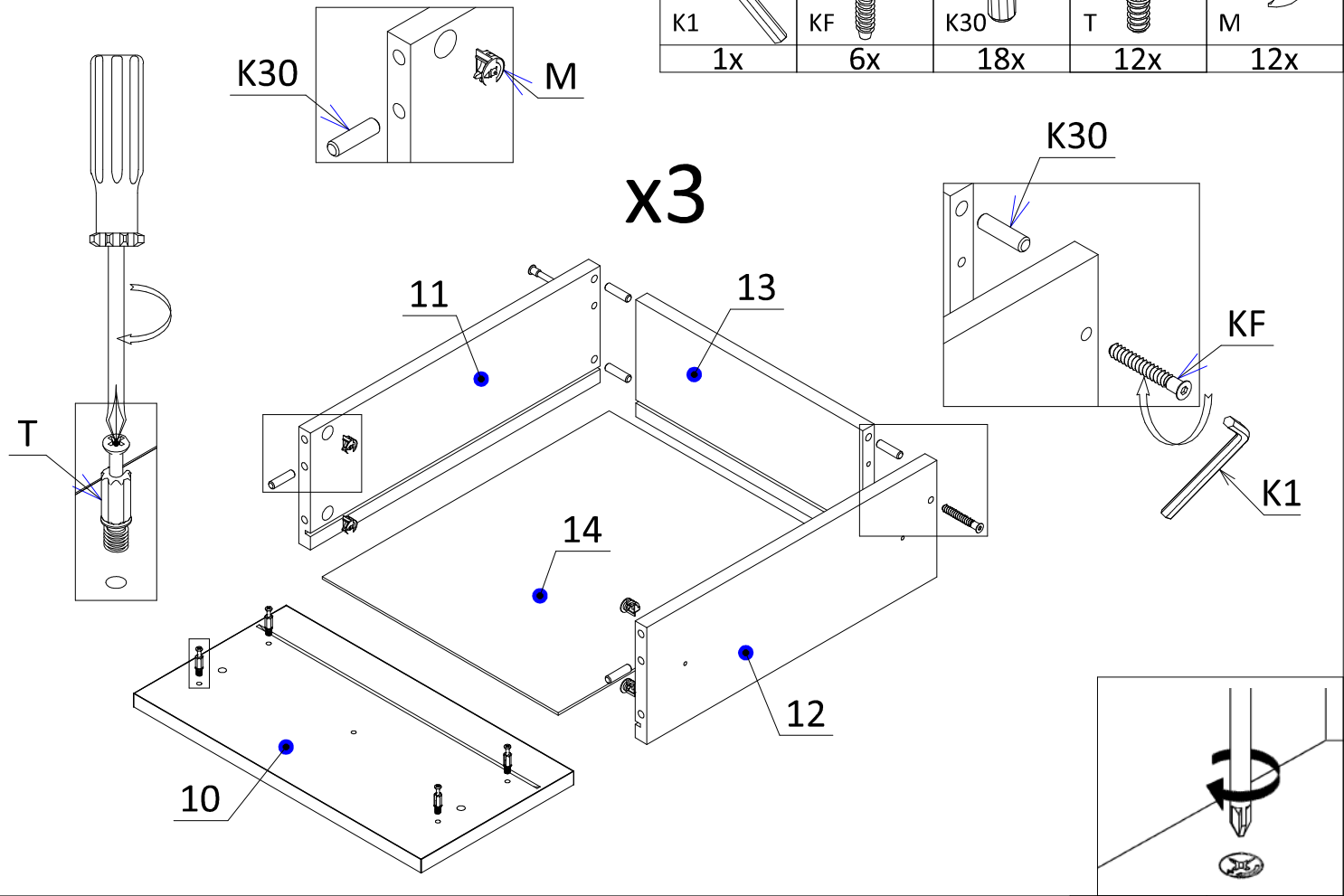


# 8

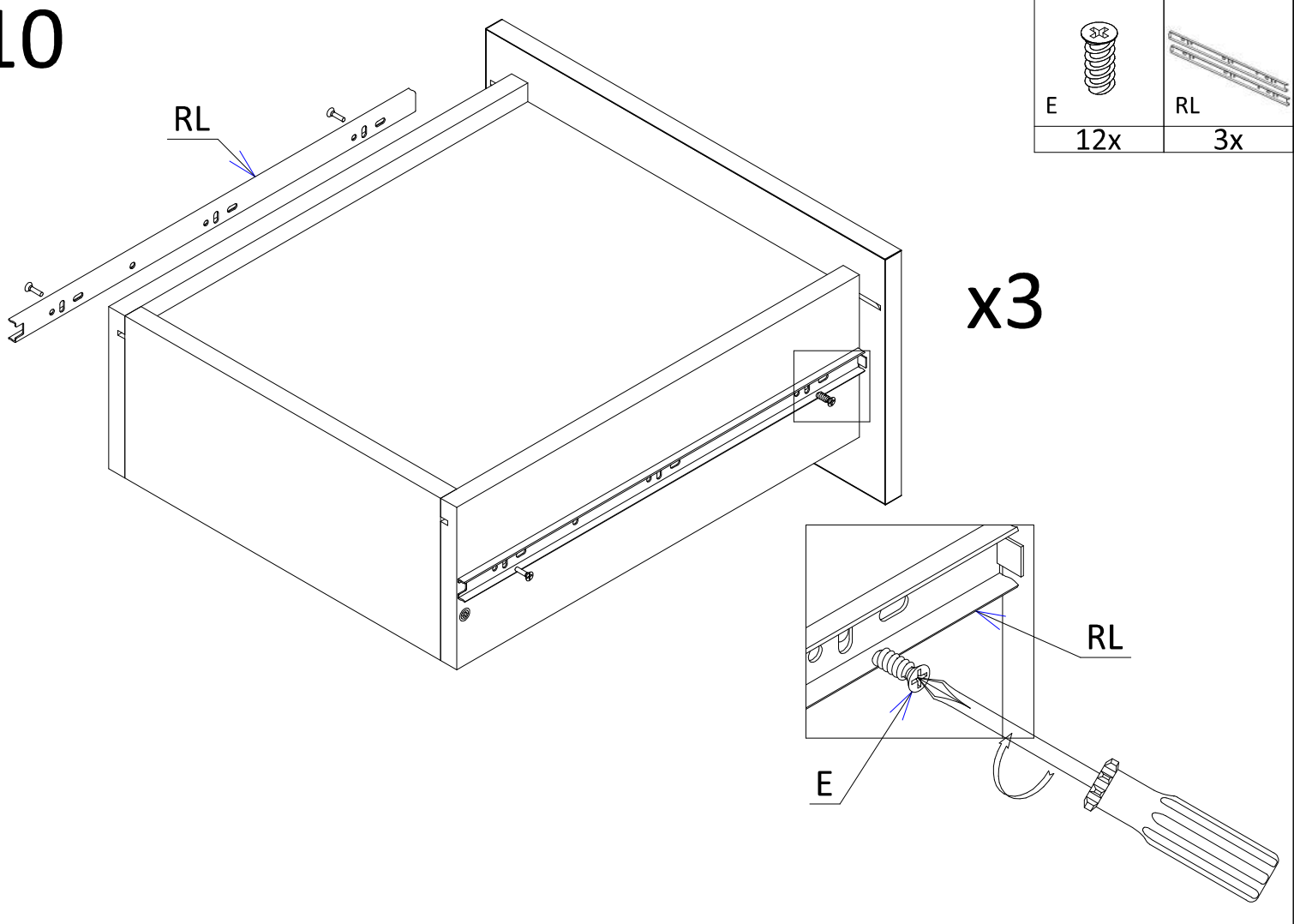
 T
2x



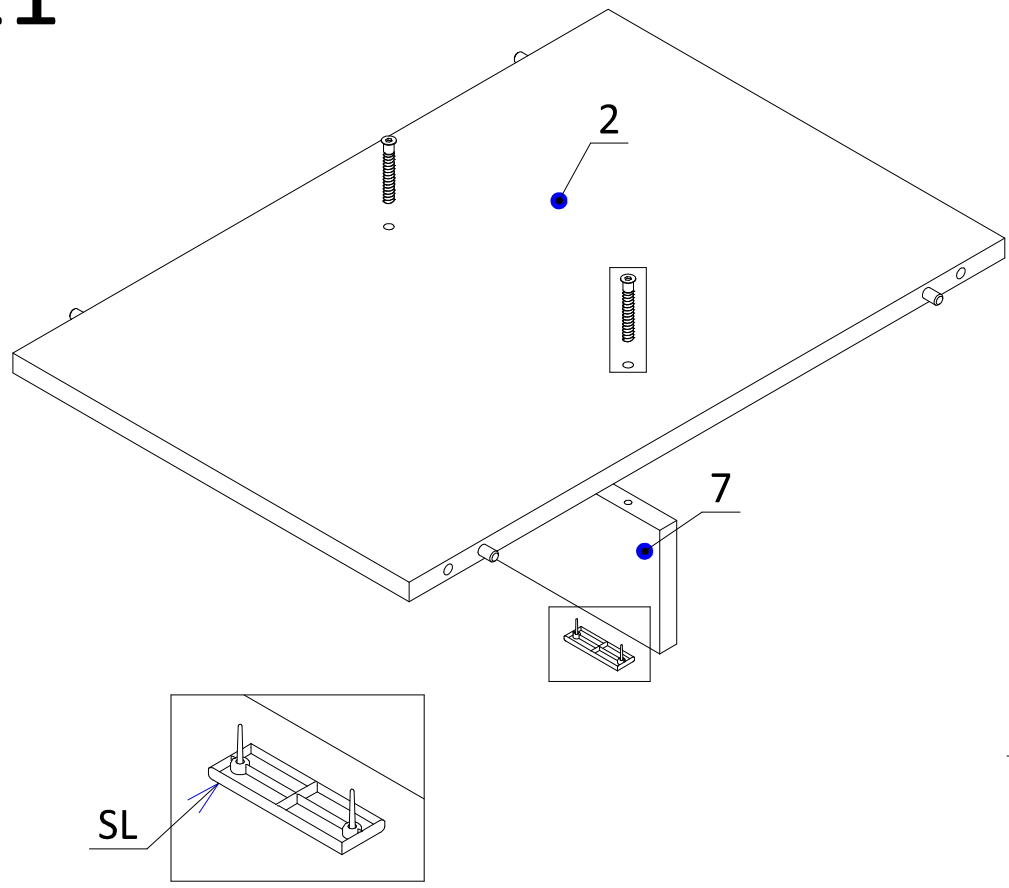
# 9

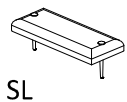
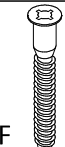
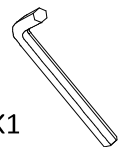


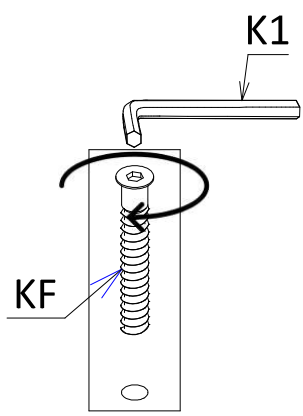
# 10



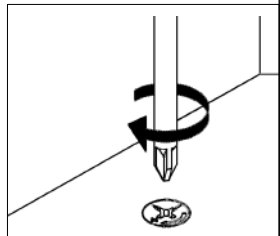
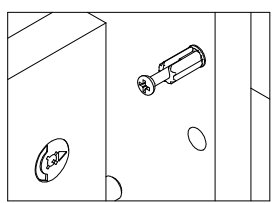
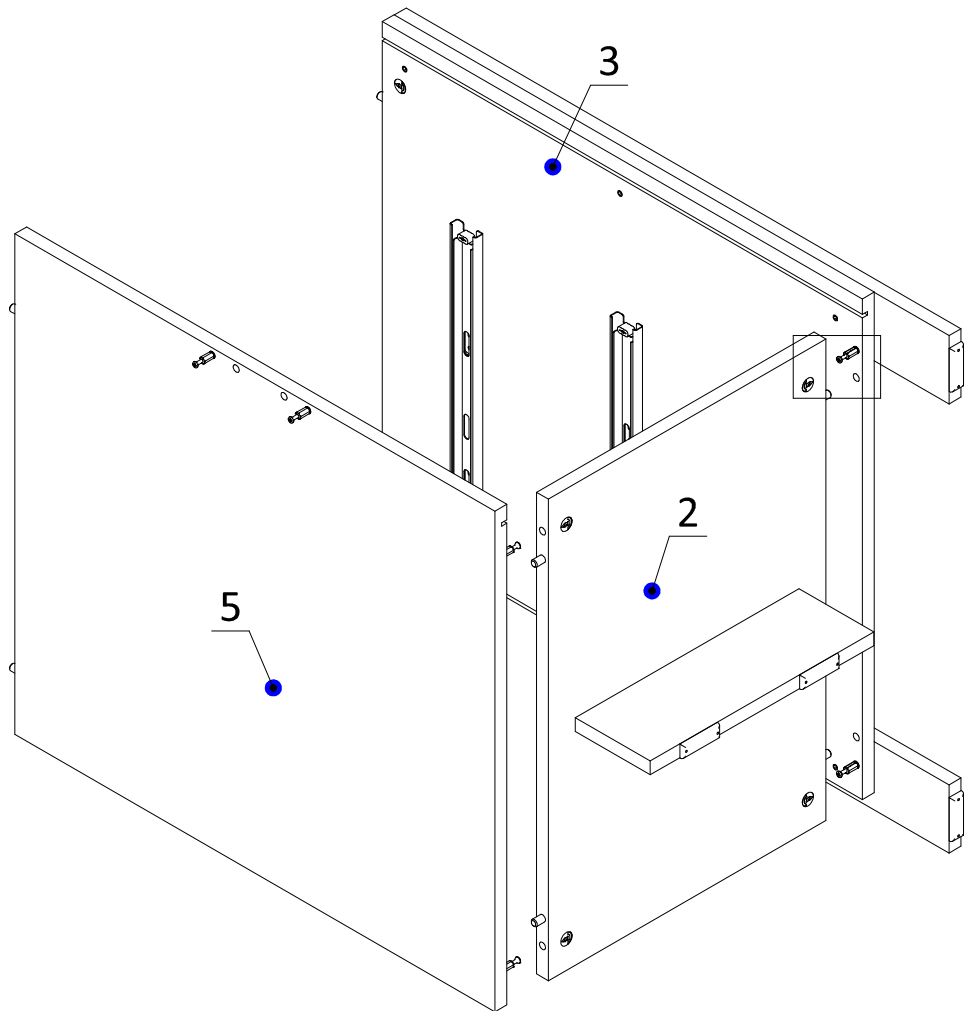
# 11



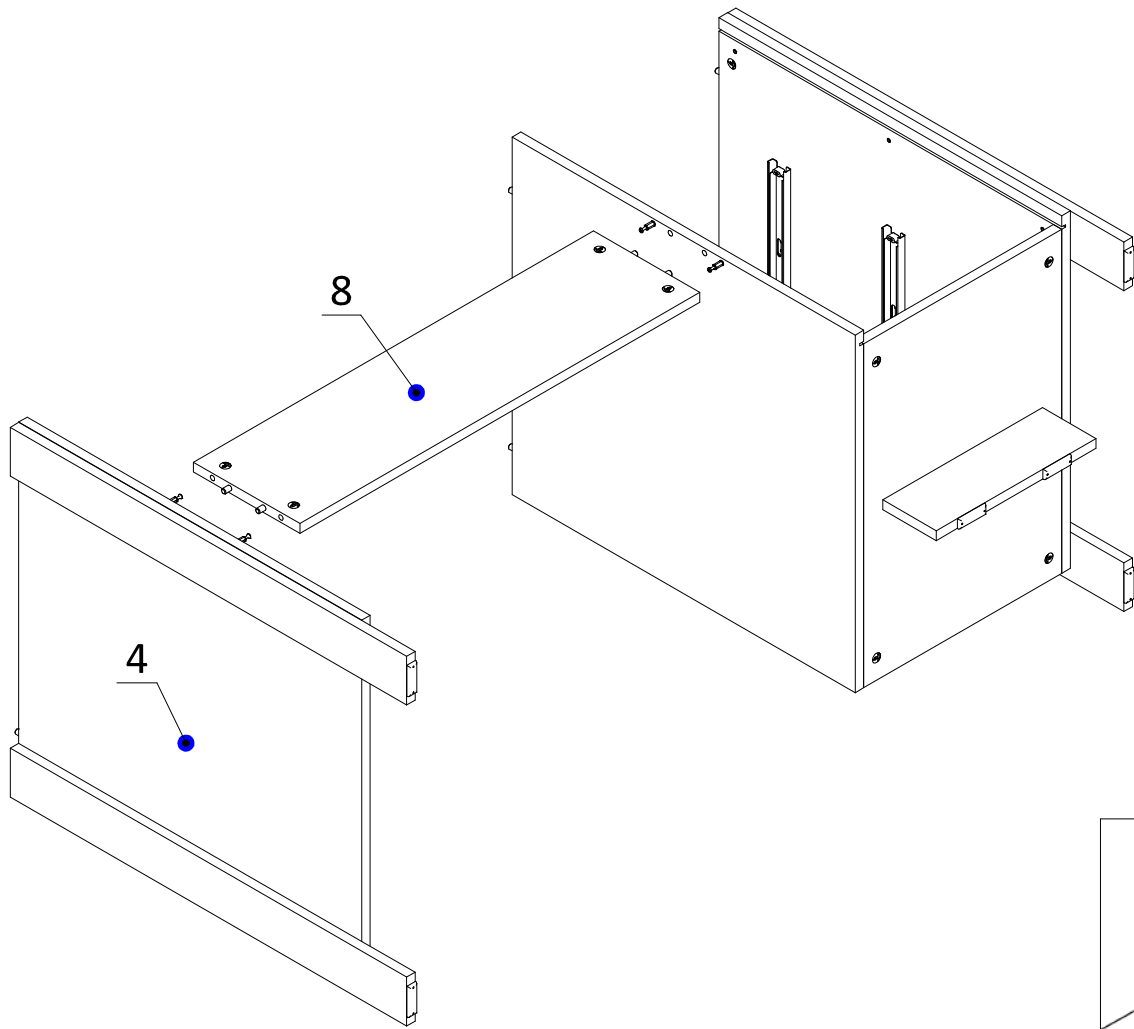
 SL	 KF	 K1
2x	2x	1x



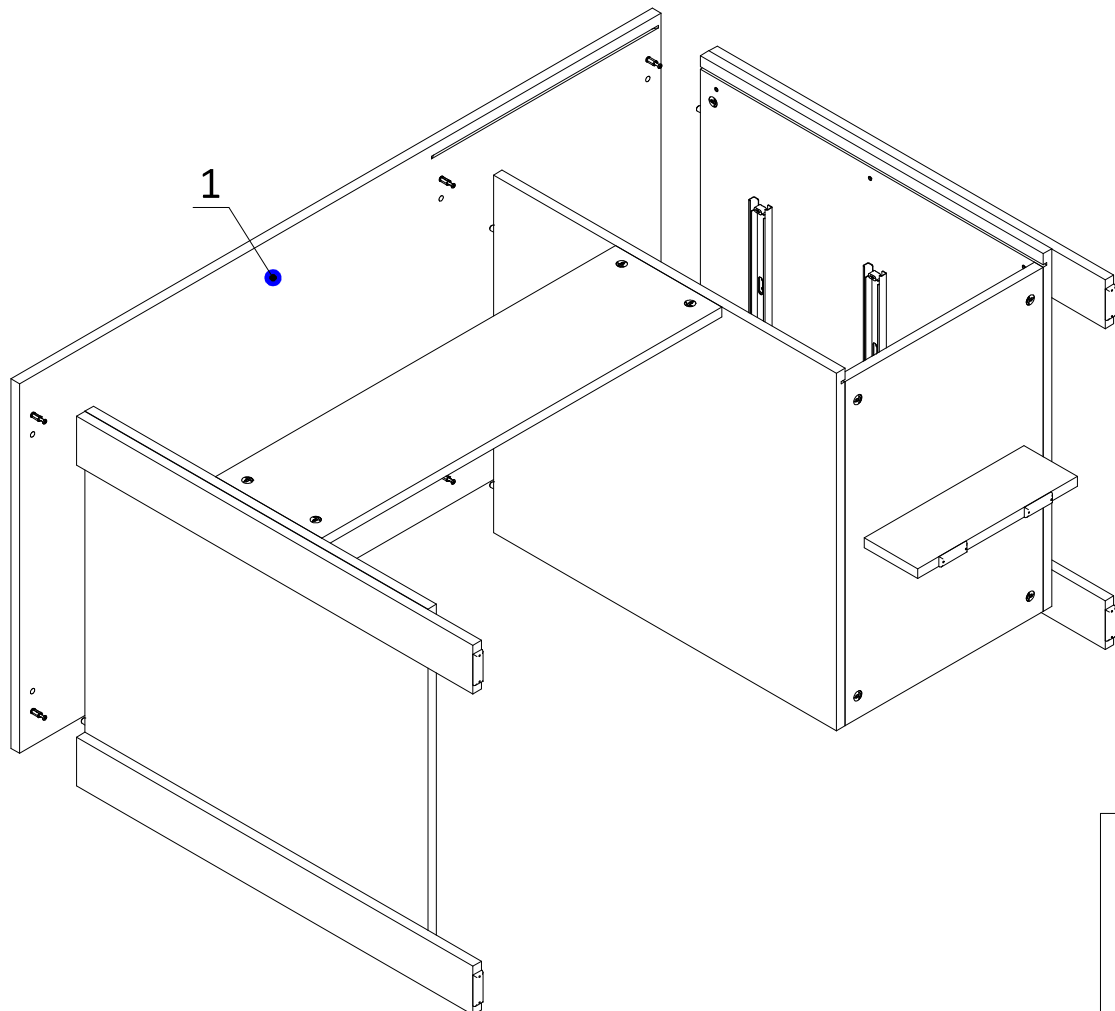
# 12



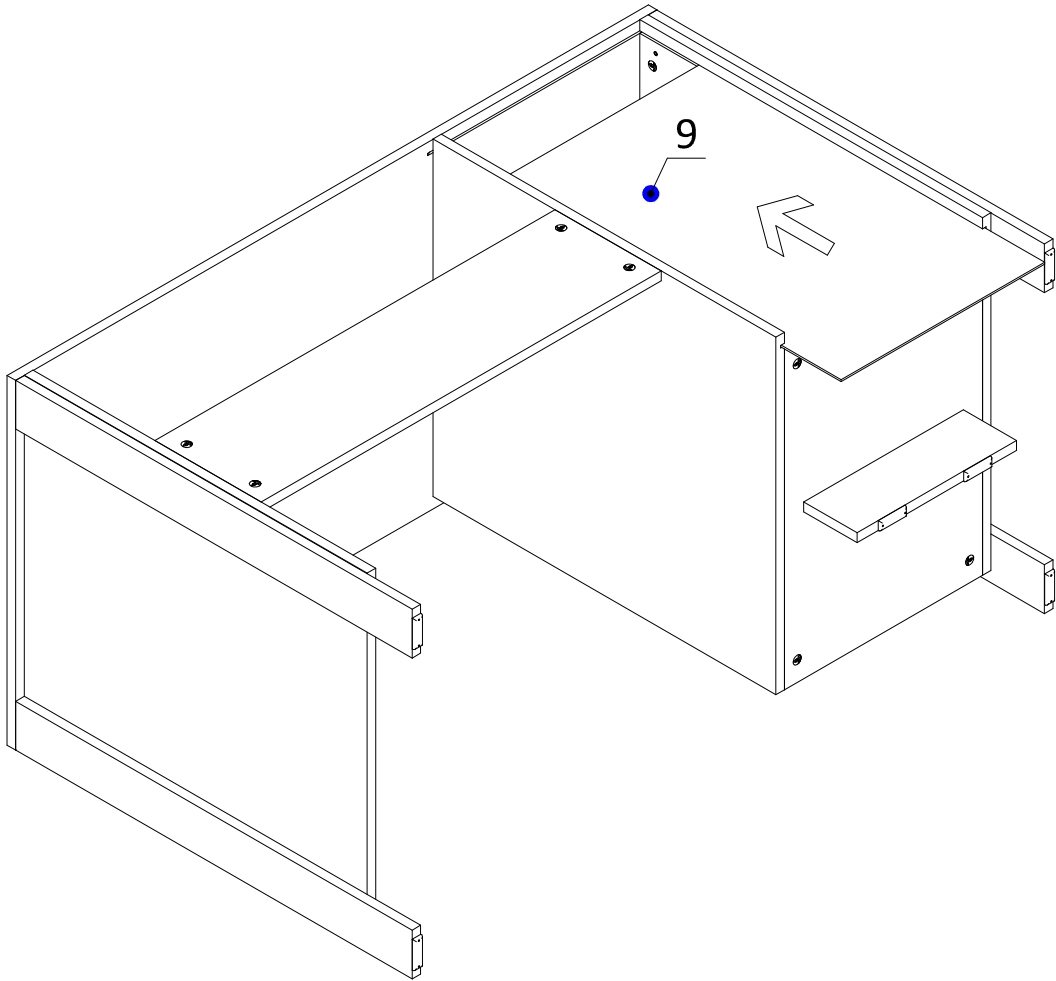
# 13



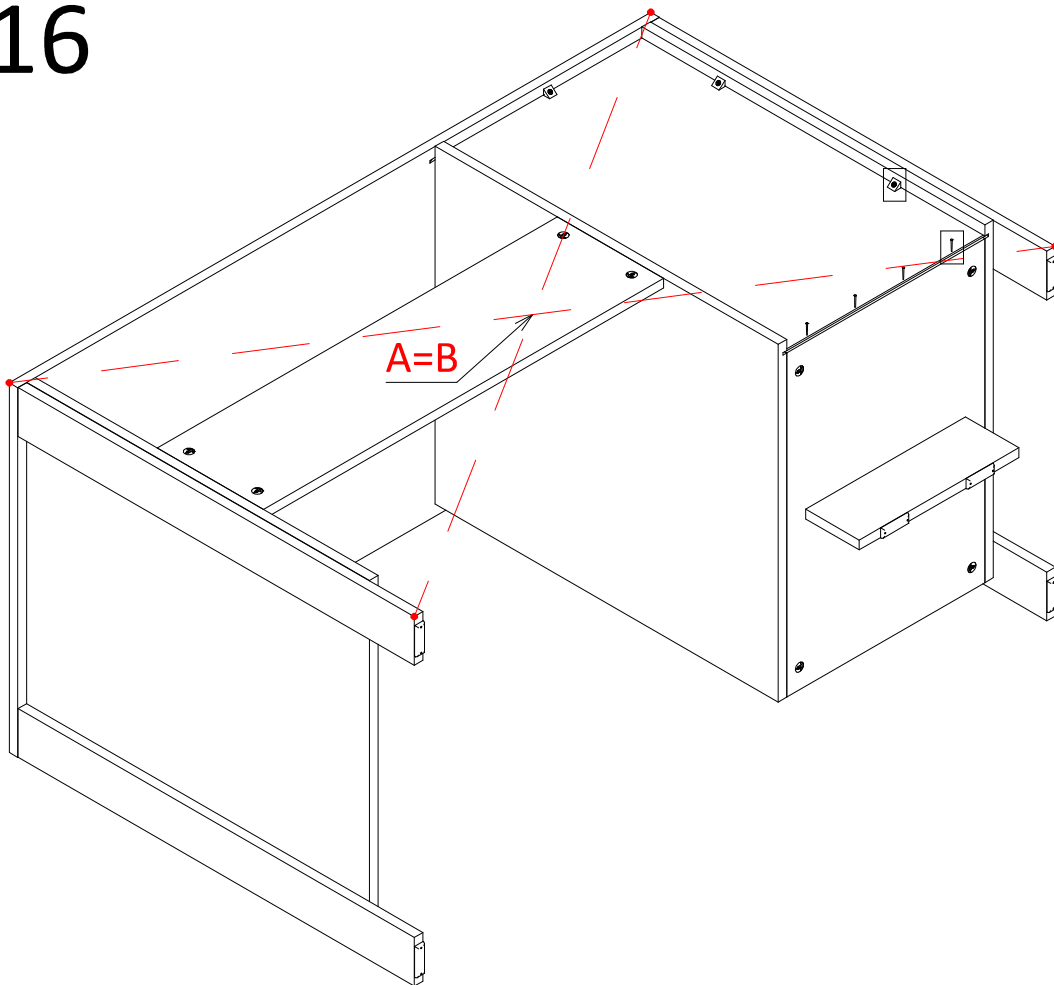
# 14





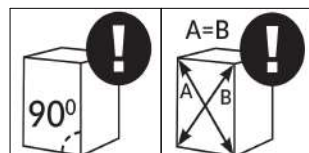
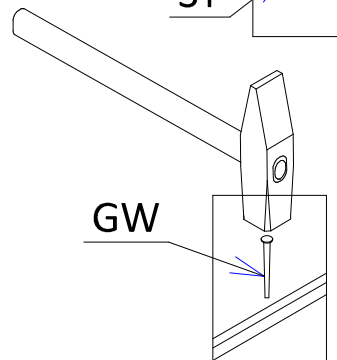
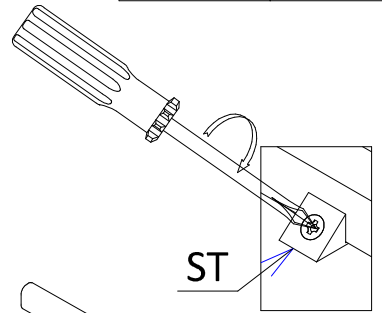
# 15




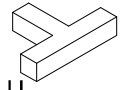
# 16

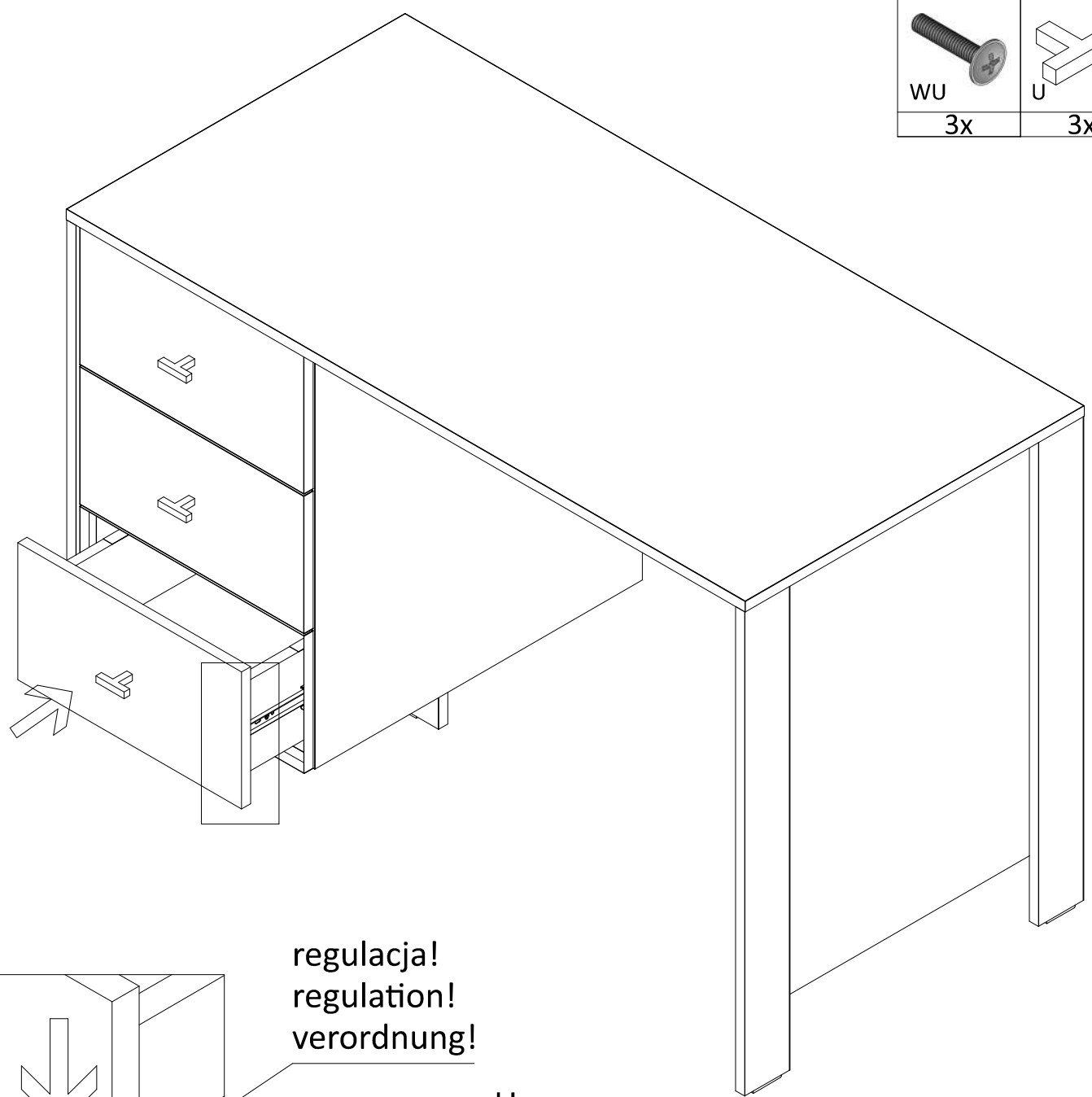


 ST	 GW
5x	4x

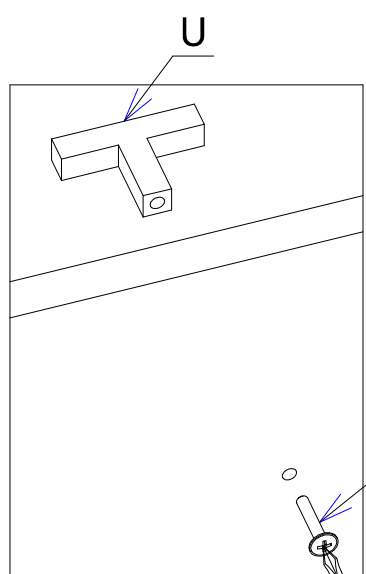
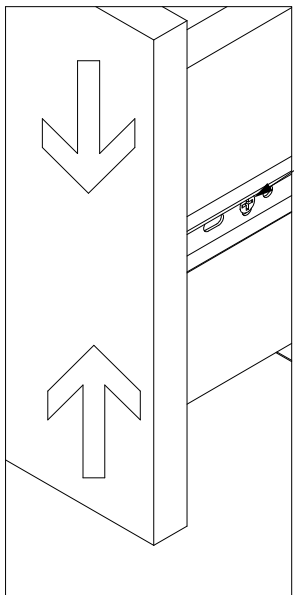


# 17

 WU	 U
3x	3x



regulacja!  
regulation!  
verordnung!



WU

