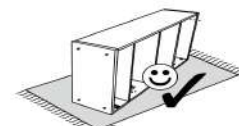
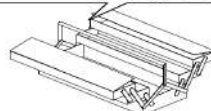
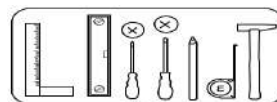
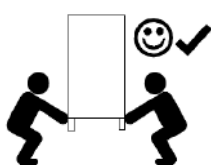
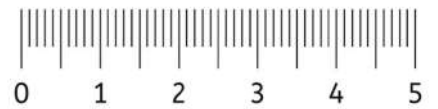
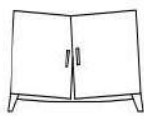
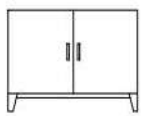
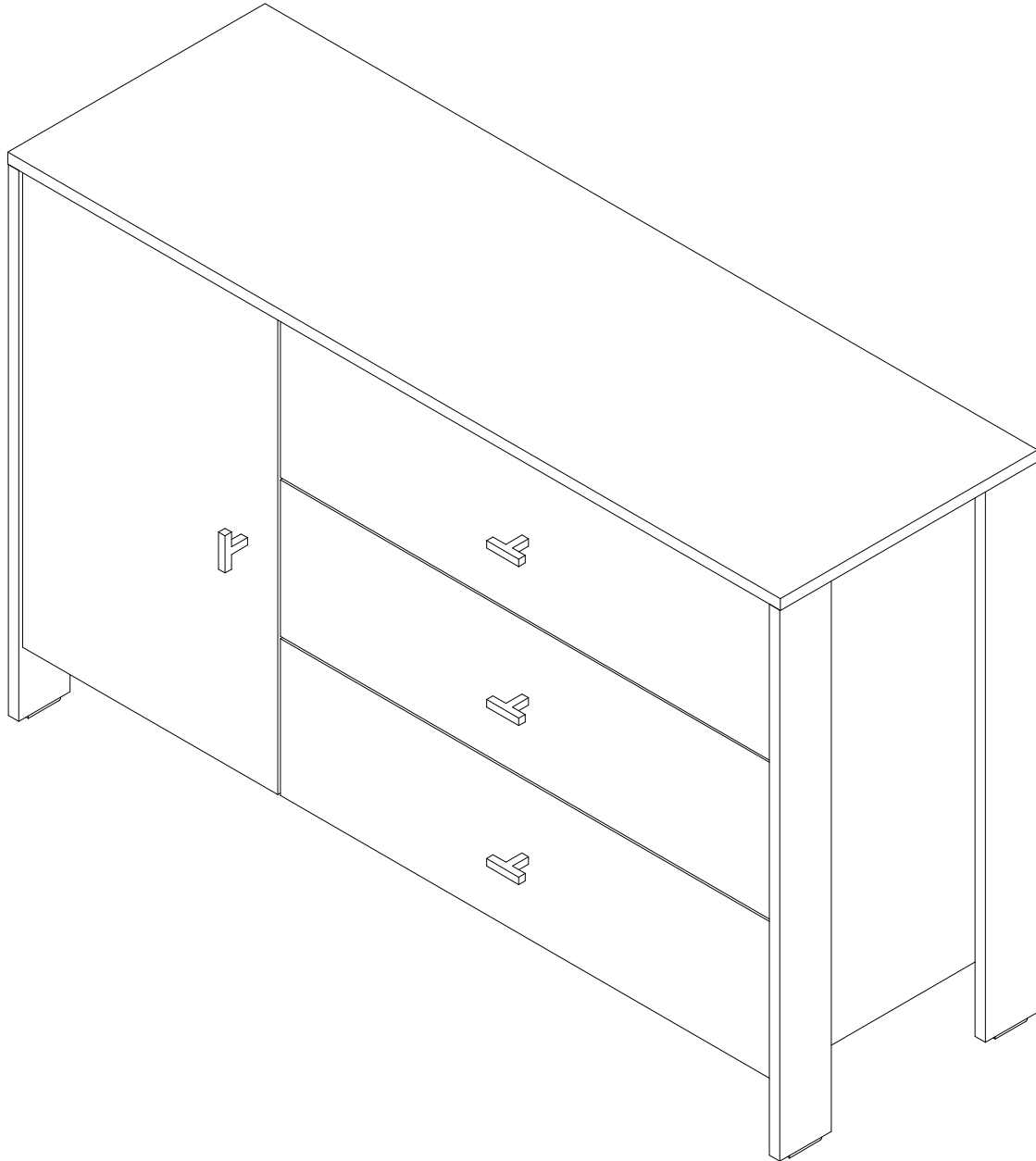
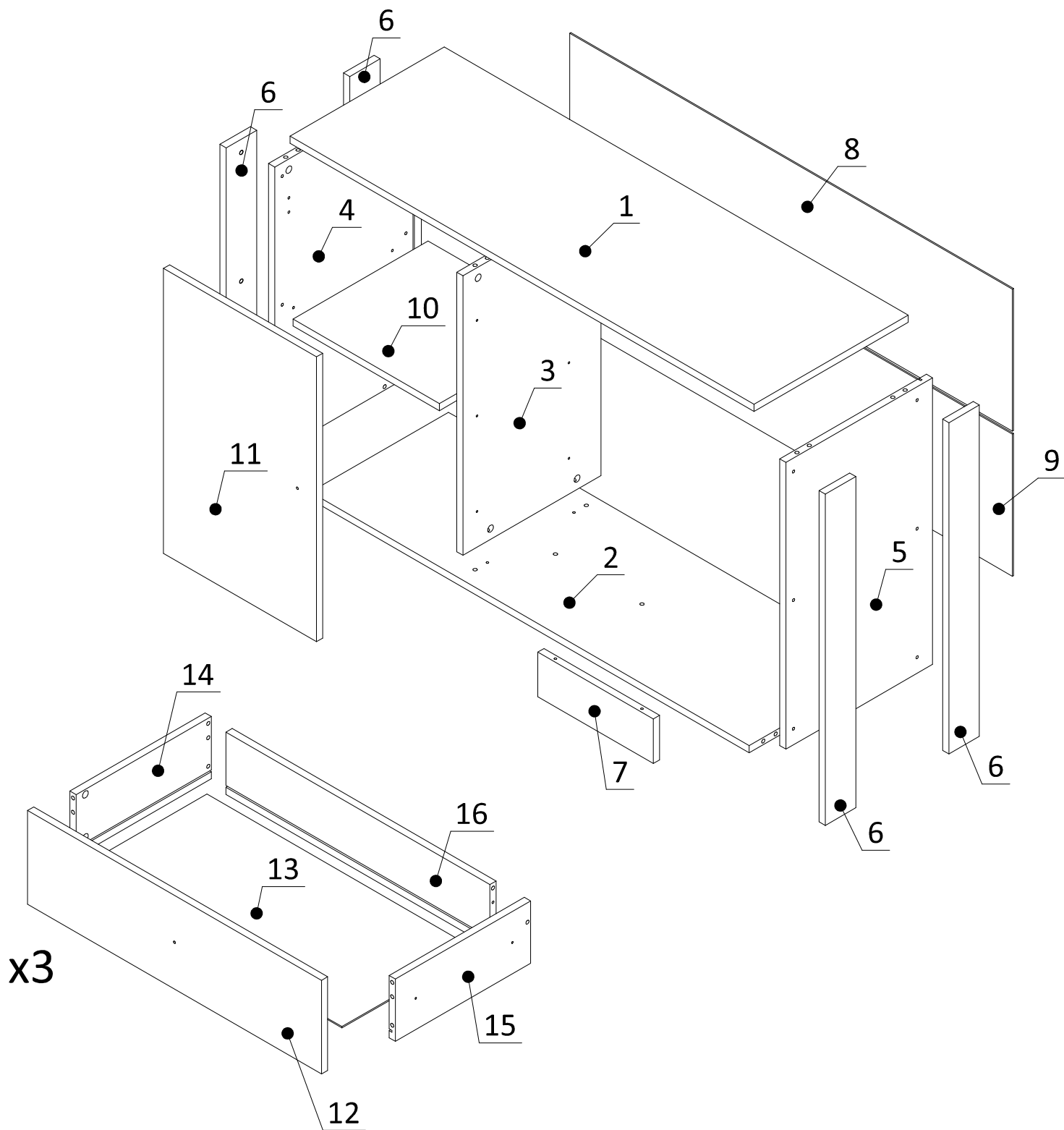
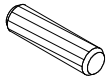

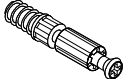
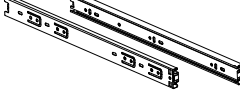

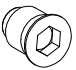
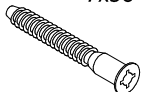
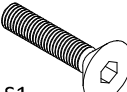
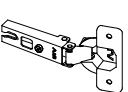
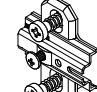


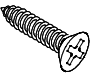


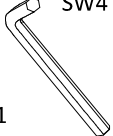
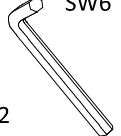
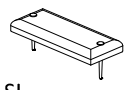

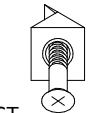

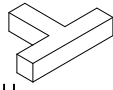
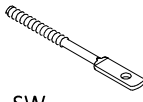
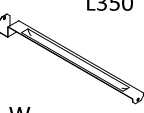



ETHAN

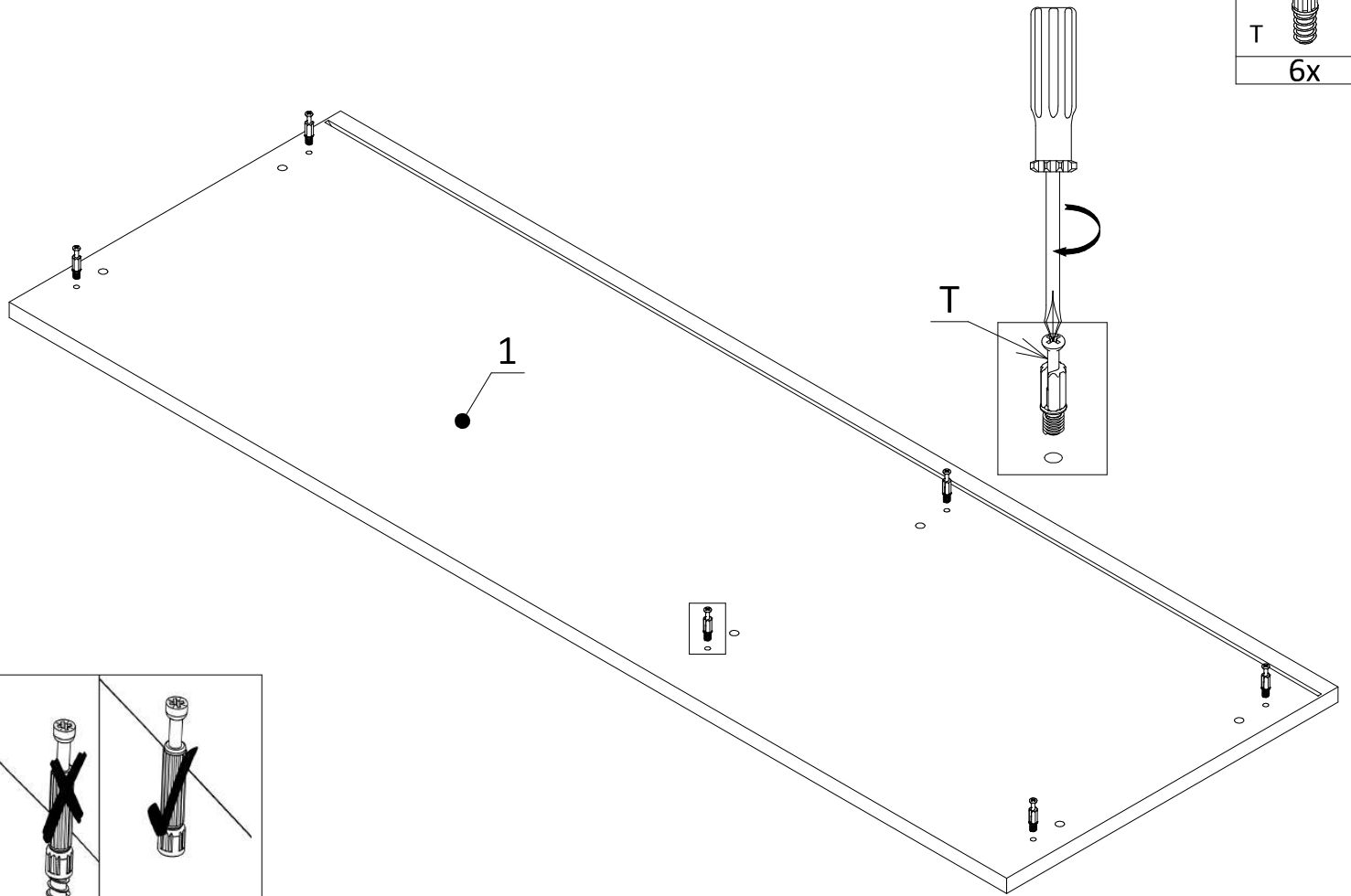
KOMODA 1D3SZ



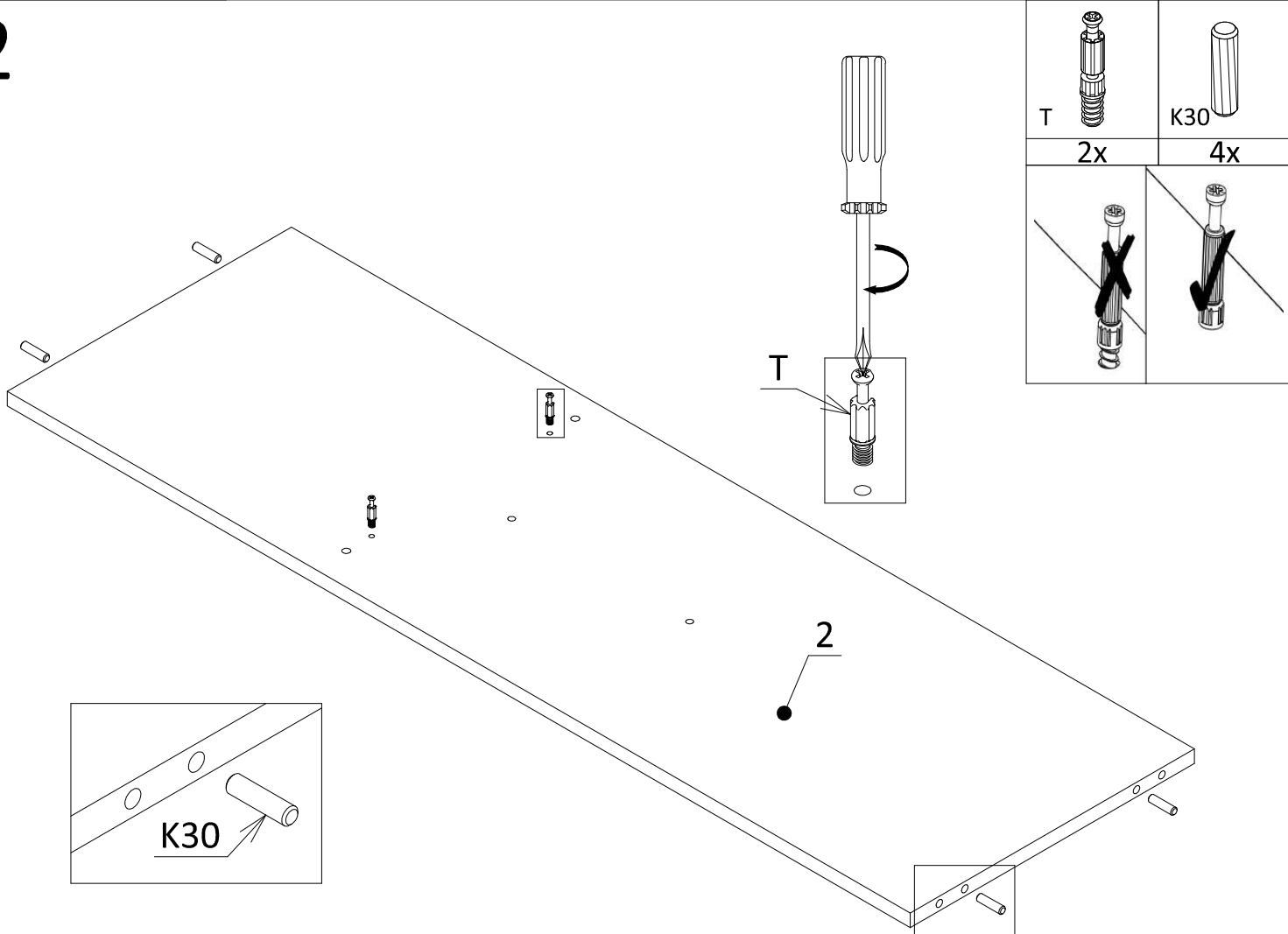


 8x30 K30	 M	 L20,3 T	 3kpl. PK-0H35-350	 ZK						
30x	24x	24x		12x						
 M6x12 MF	 7x50 KF	 M6x25 S1	 ZP9	 PZ	 5x13 E	 4x13 W4	 4x16 W4x16	 M4x22 WU	 PP	
12x	8x	12x	2x	2x	24x	6x	5x	4x	4x	
 SW4 K1	 SW6 K2	 SL	 2x20 GW	 ST	 ZM	 U	 SW	 L350 W	 LH	
1x	1x	6x	16x	7x	24x	4x	1x	3x	1x	

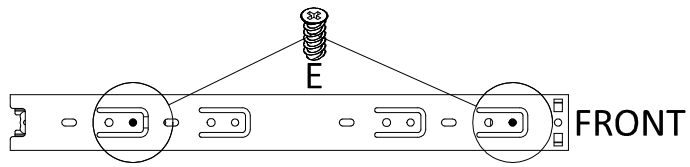
1

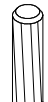







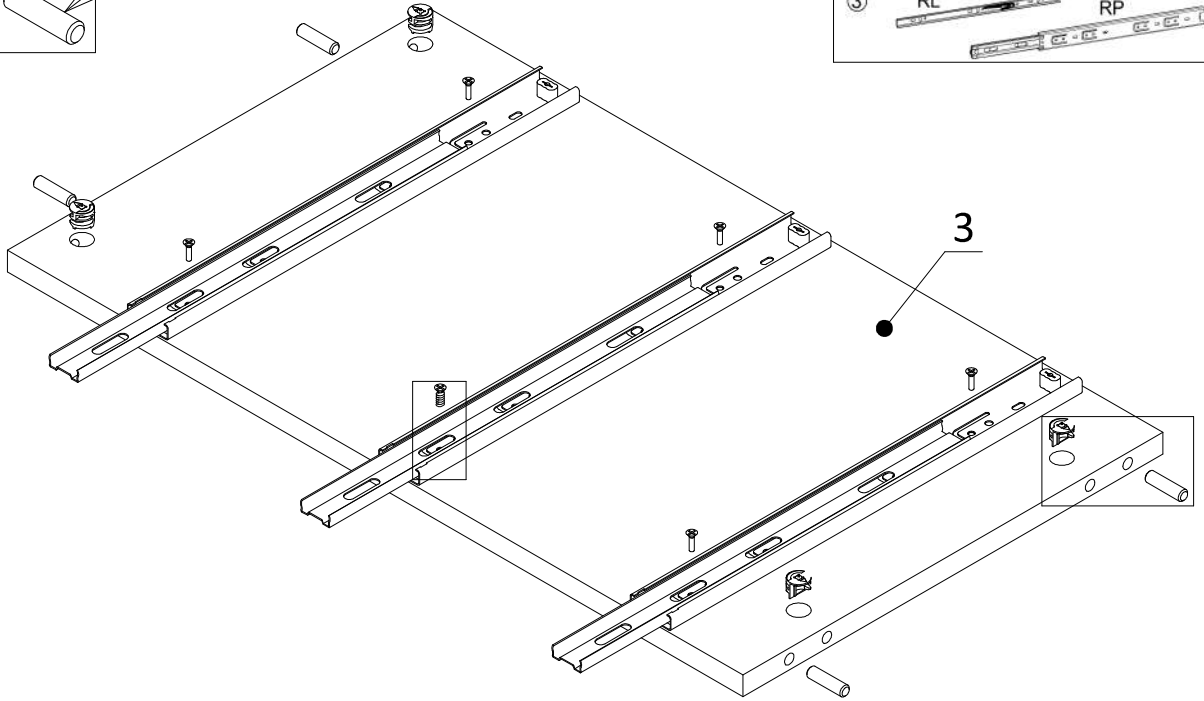
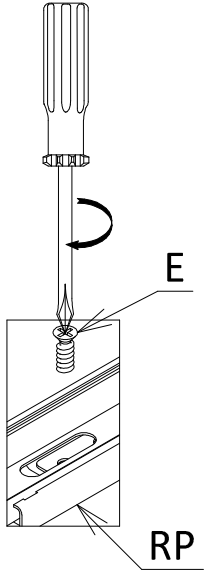
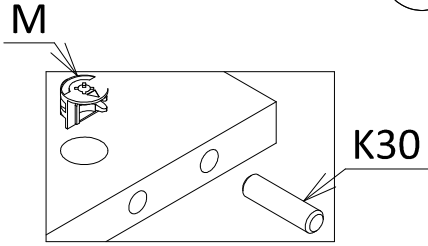
2



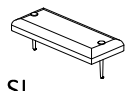
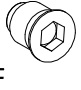
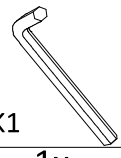
3

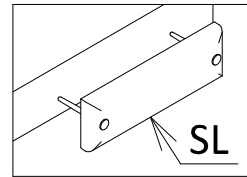
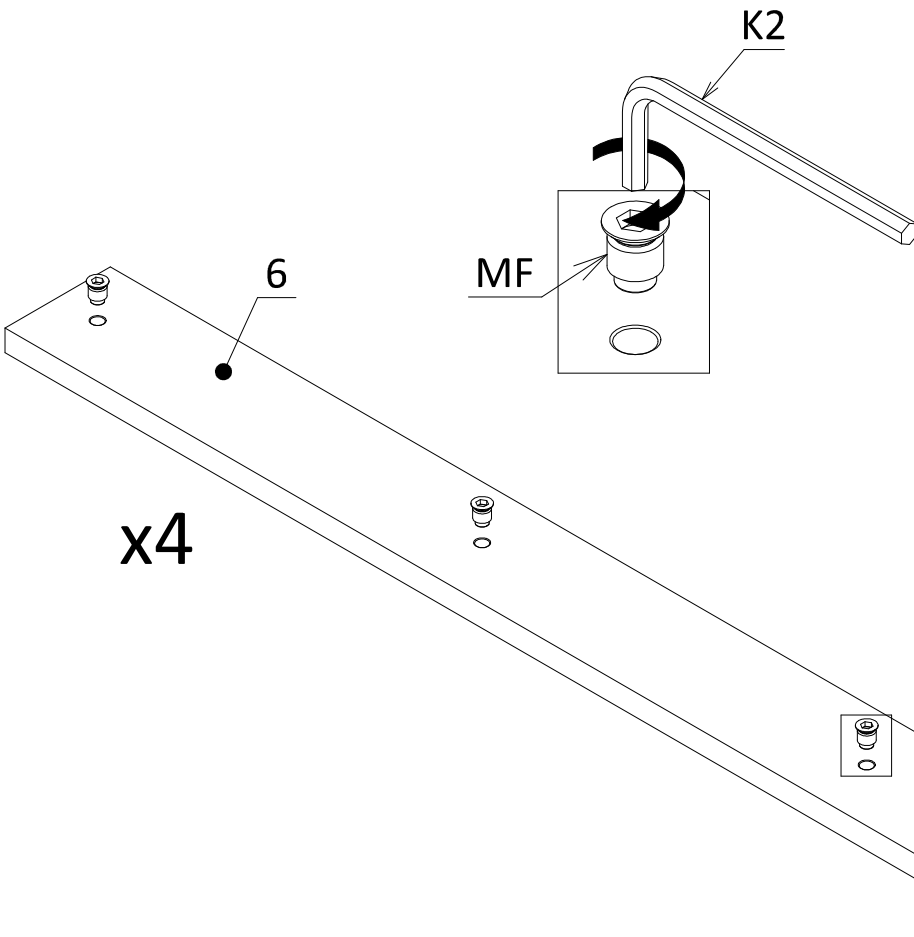


 K30	 M	 E
4x	4x	6x
 ① H35		
 ②		
 ③ RL RP		

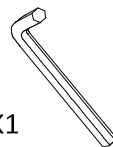


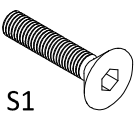


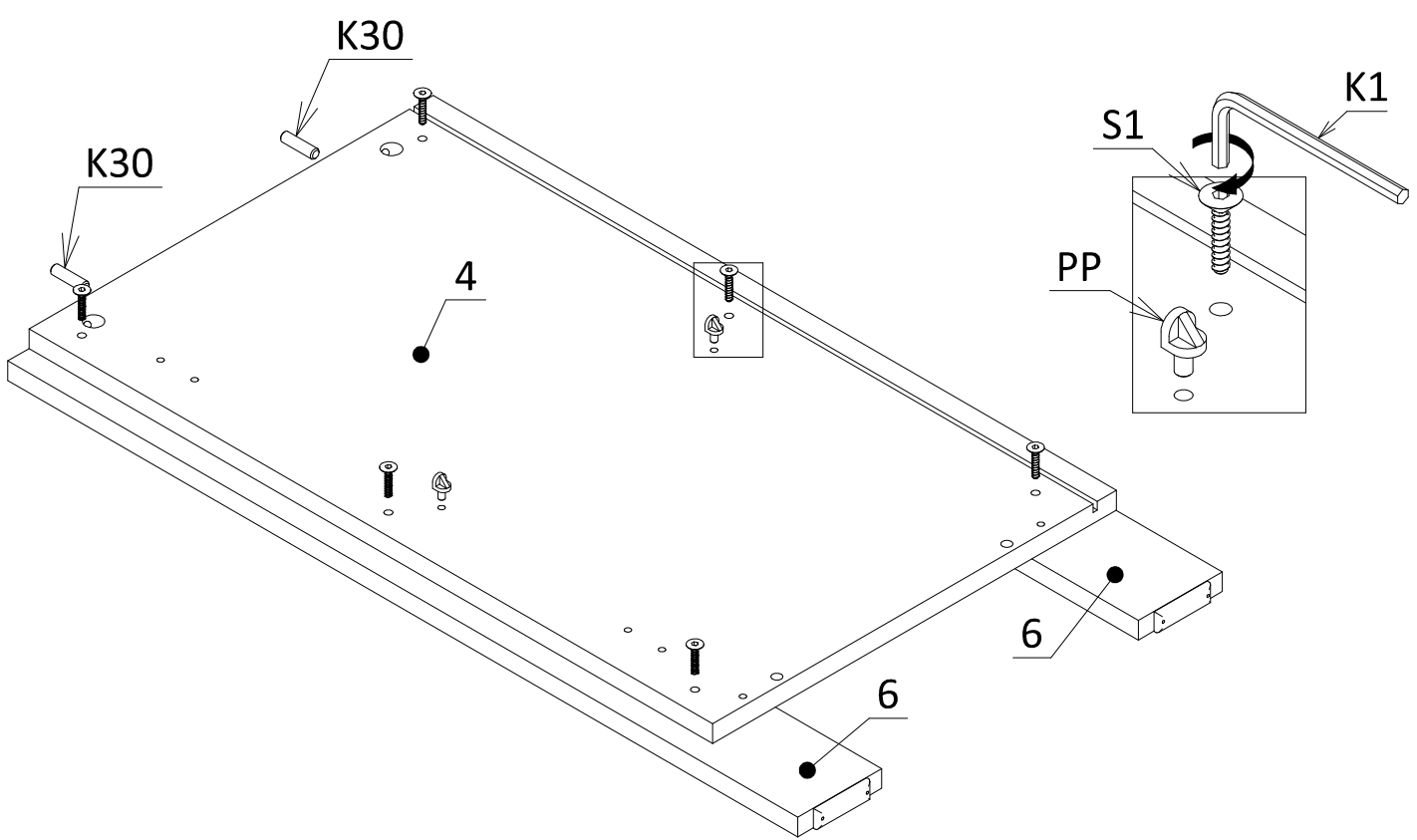
4

 SL	 MF	 K1
4x	12x	1x

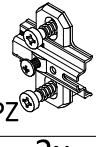
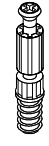



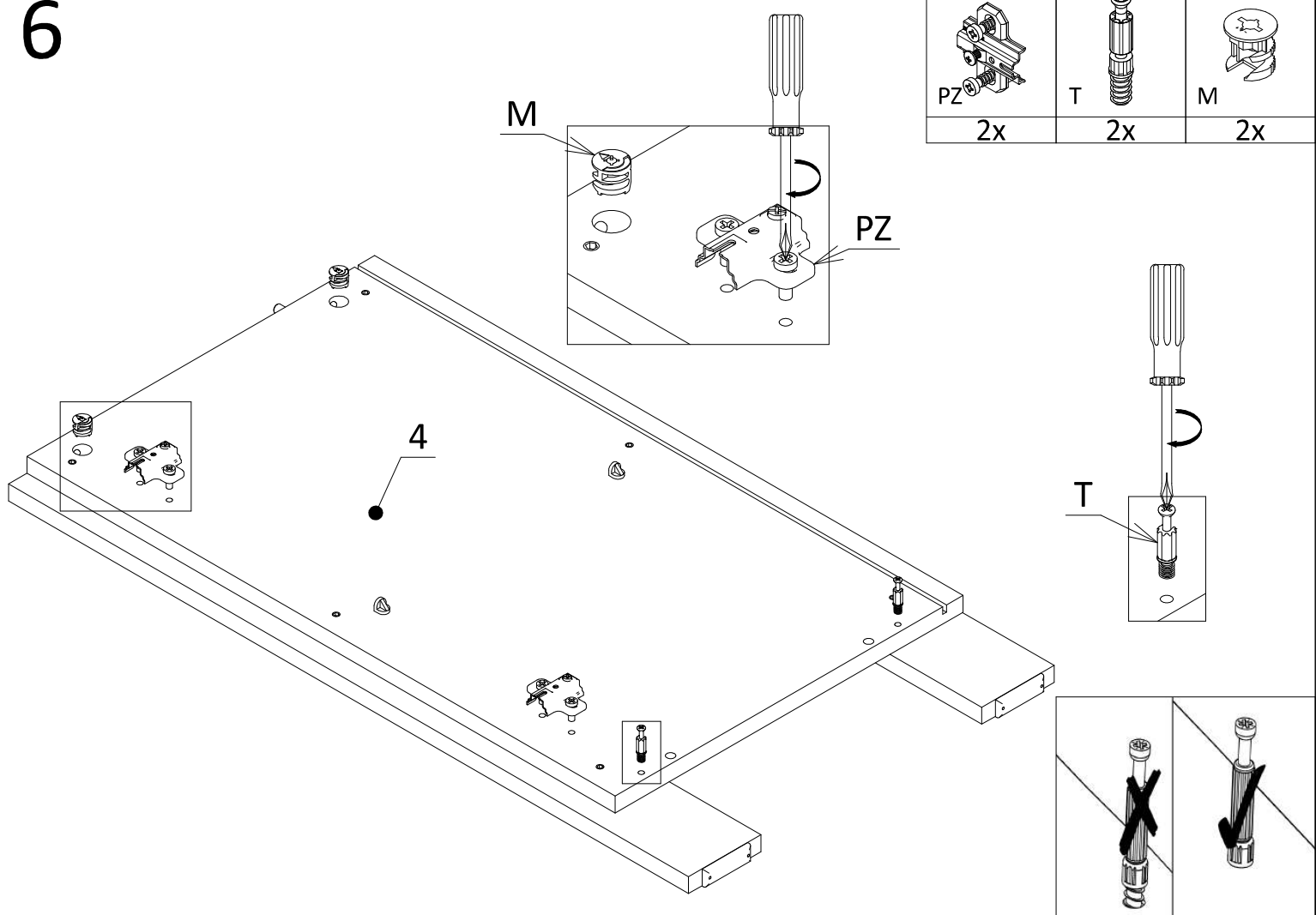
5

			
K1	K30	PP	S1
1x	2x	2x	6x

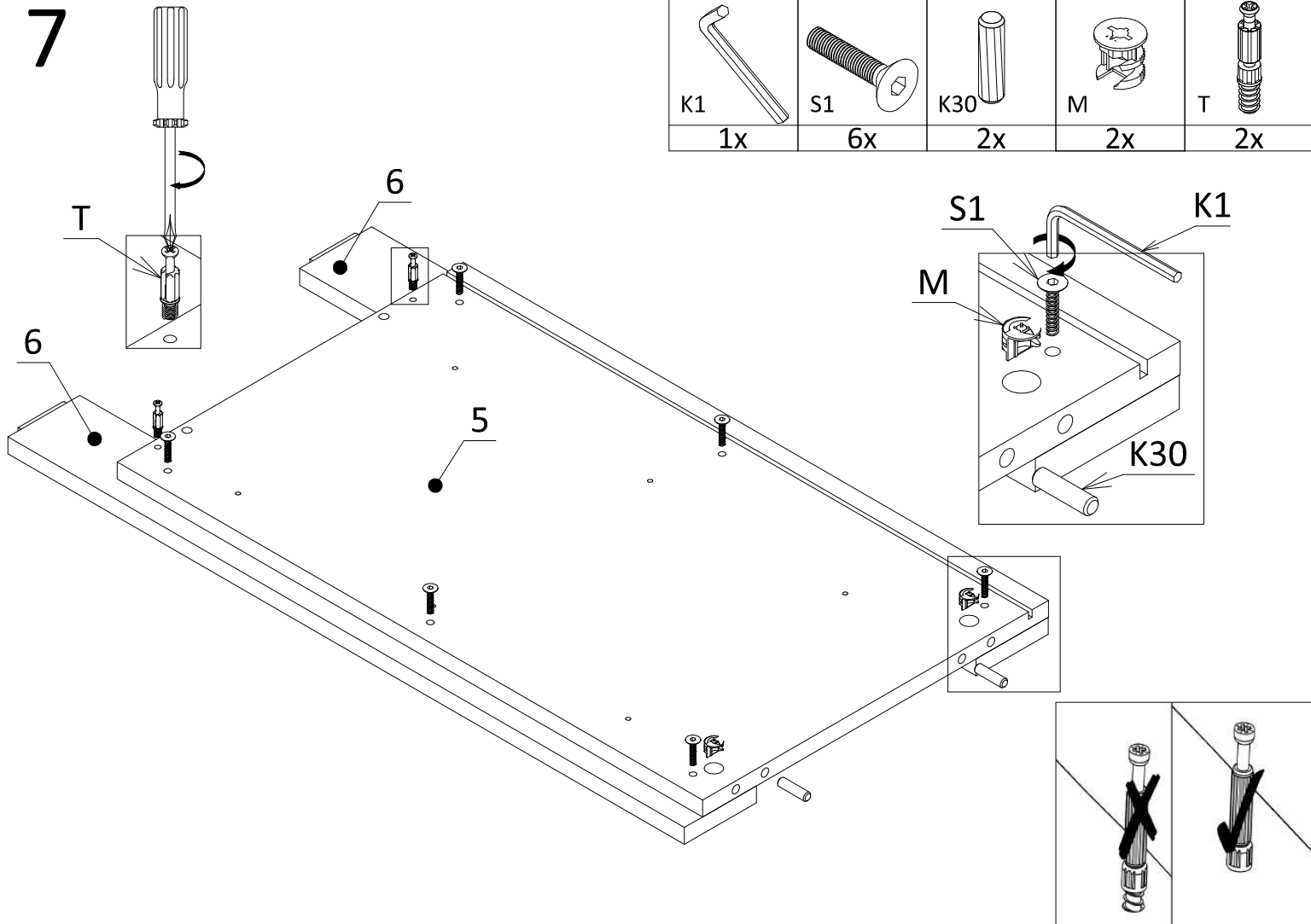


6

		
PZ	T	M
2x	2x	2x

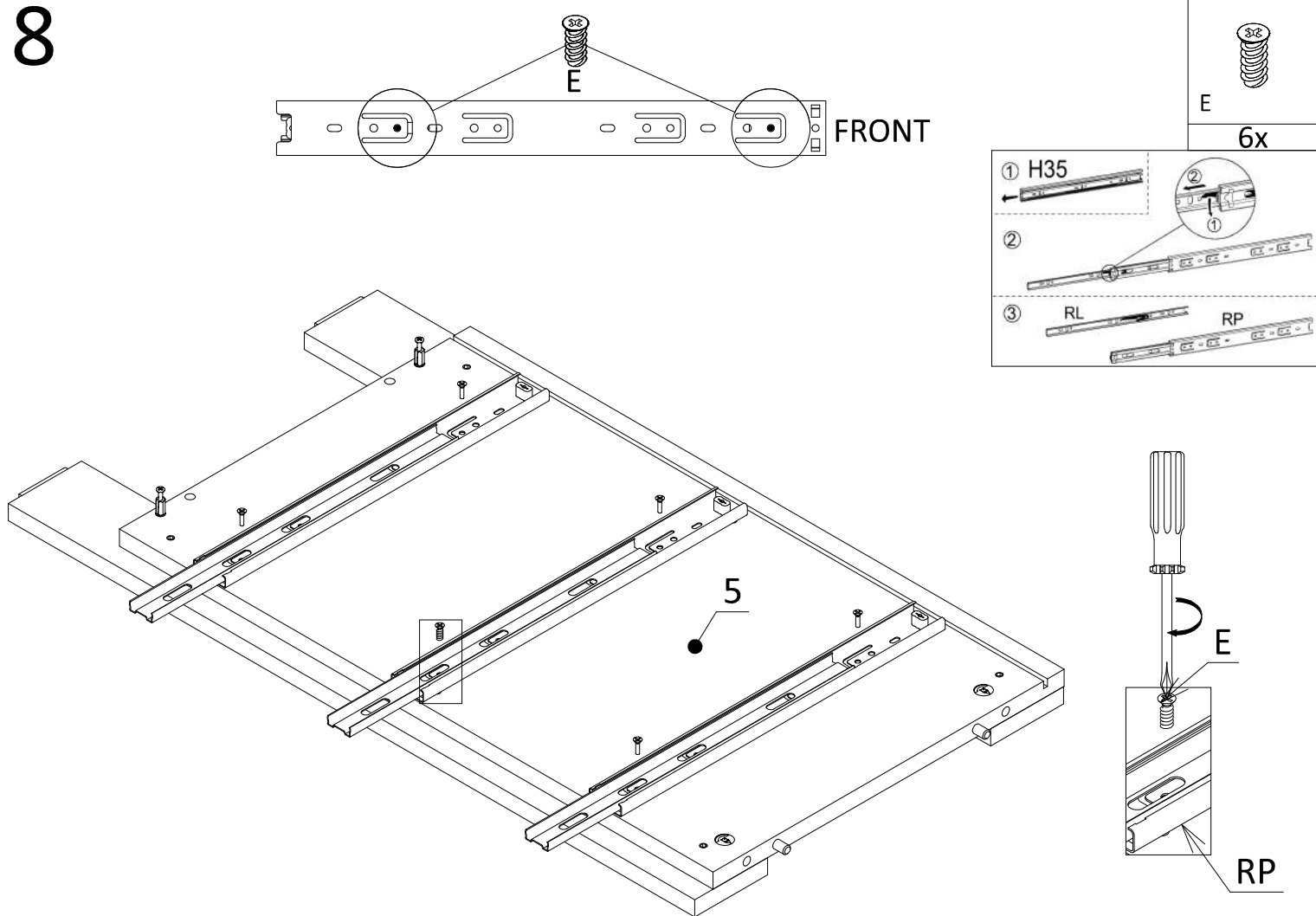


7

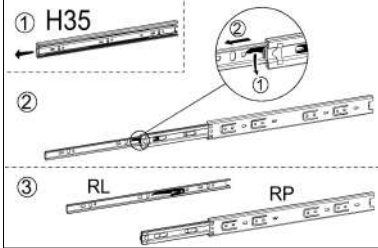


K1	S1	K30	M	T
1x	6x	2x	2x	2x

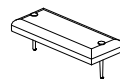
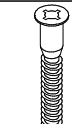
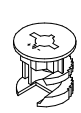
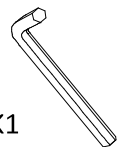
8

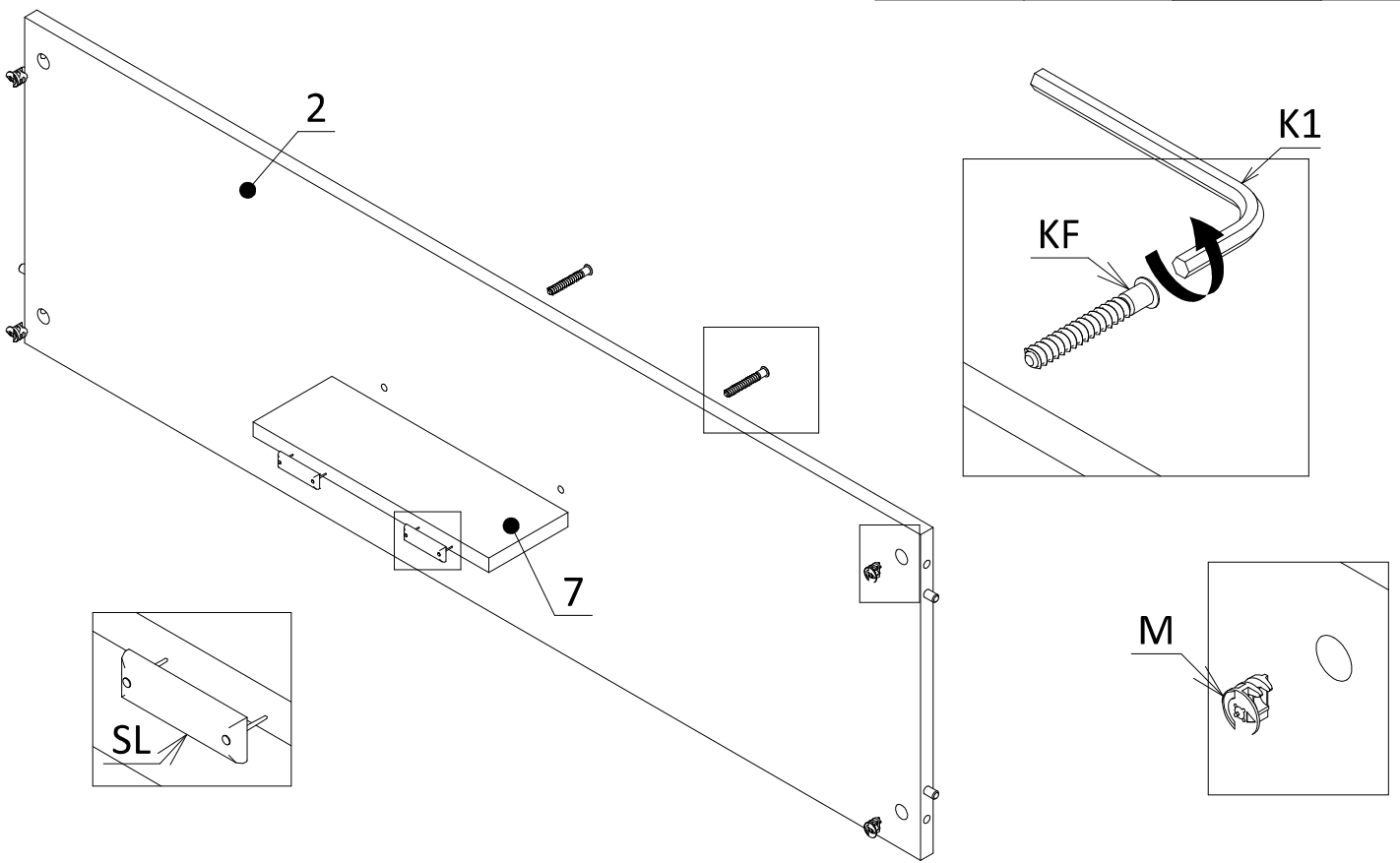


E
6x

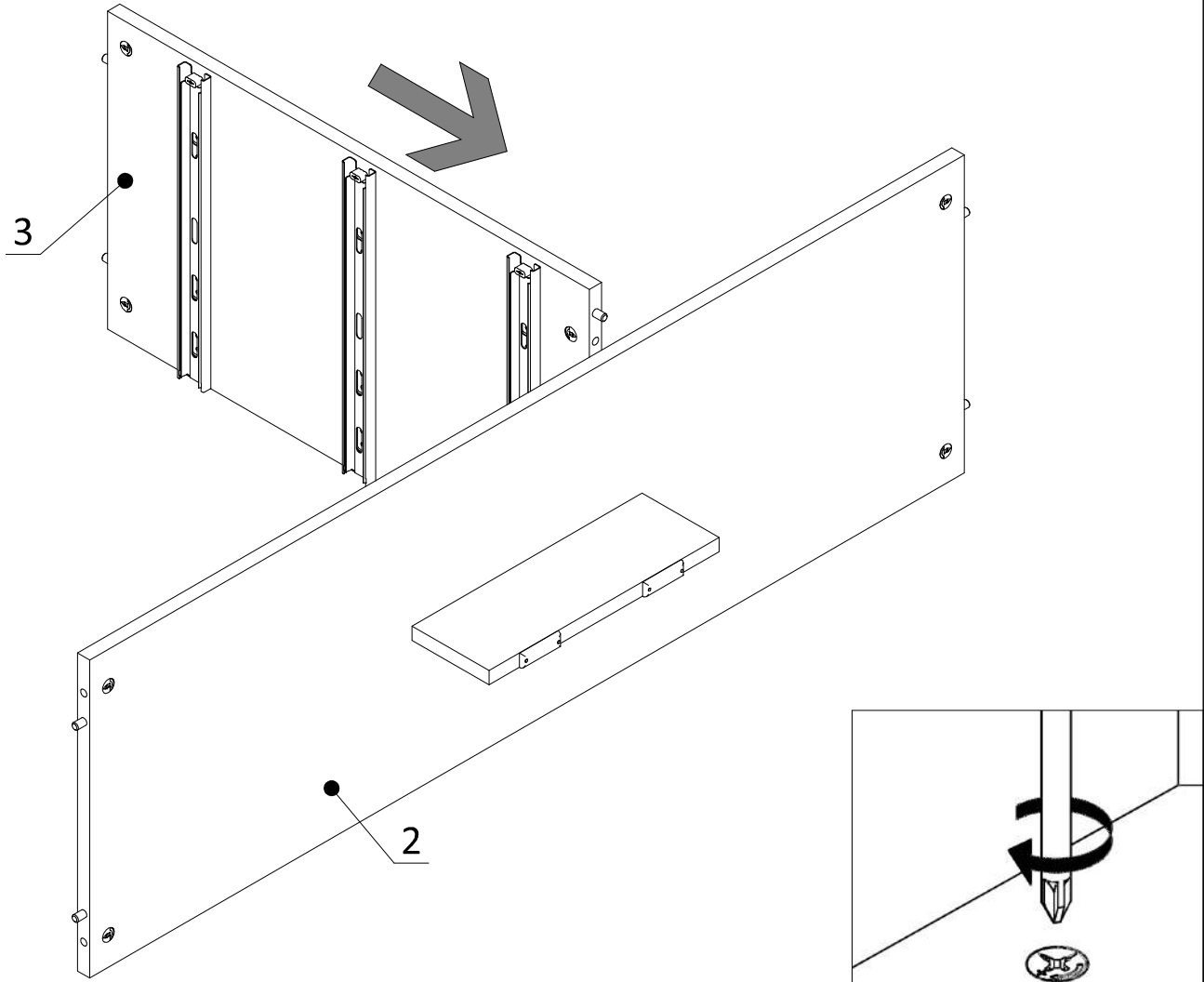


9

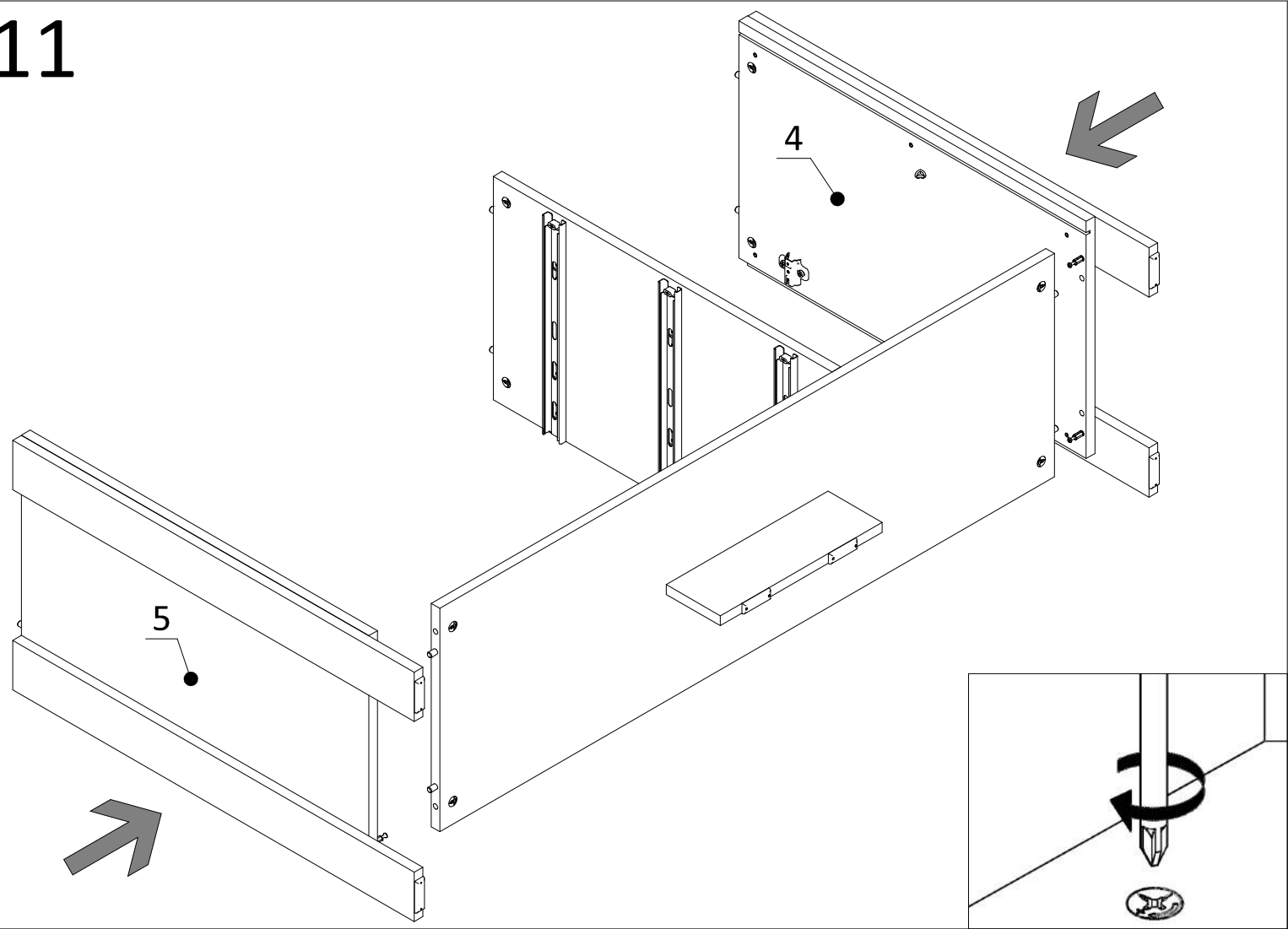
 SL	 KF	 M	 K1
2x	2x	4x	1x



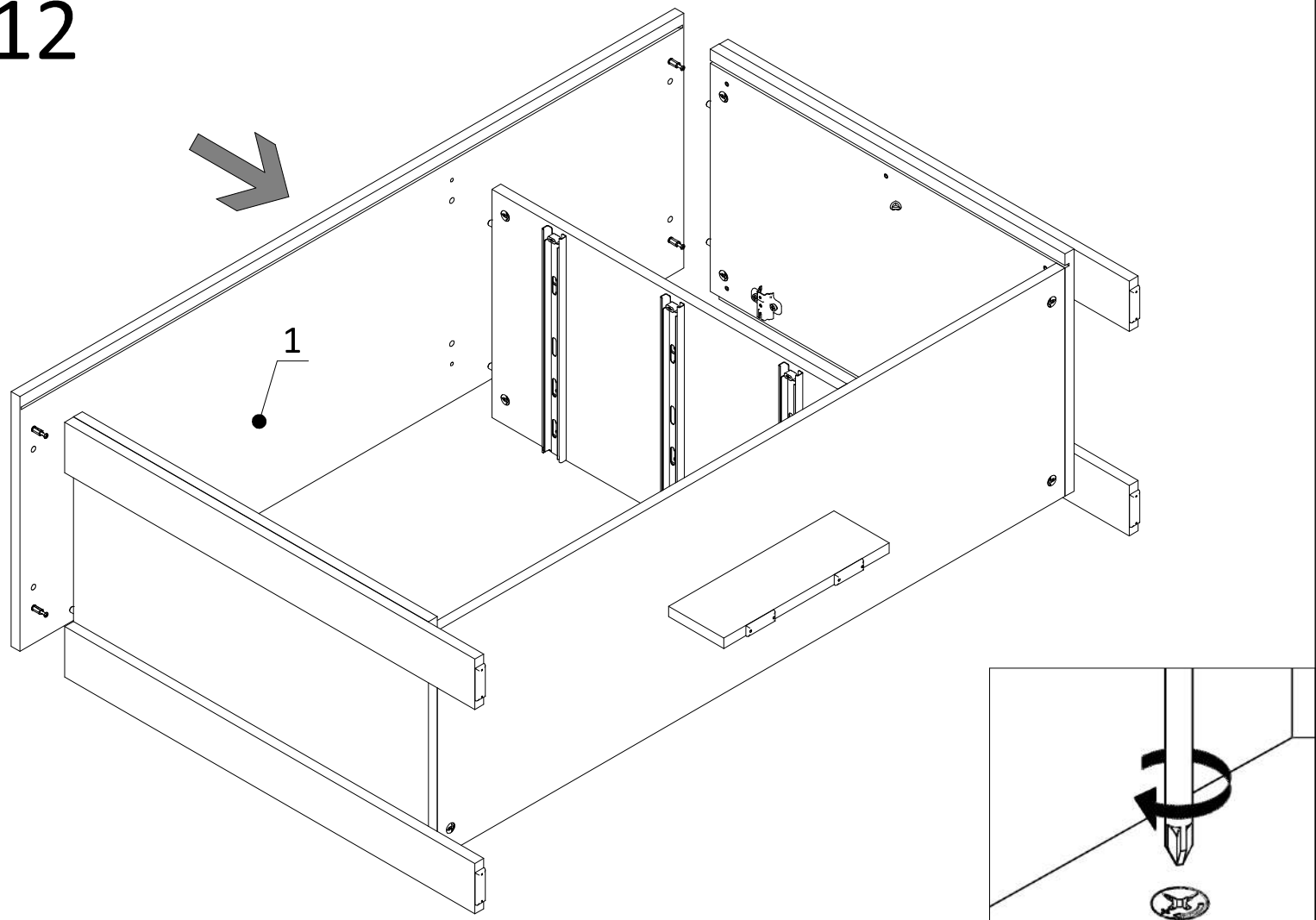
10



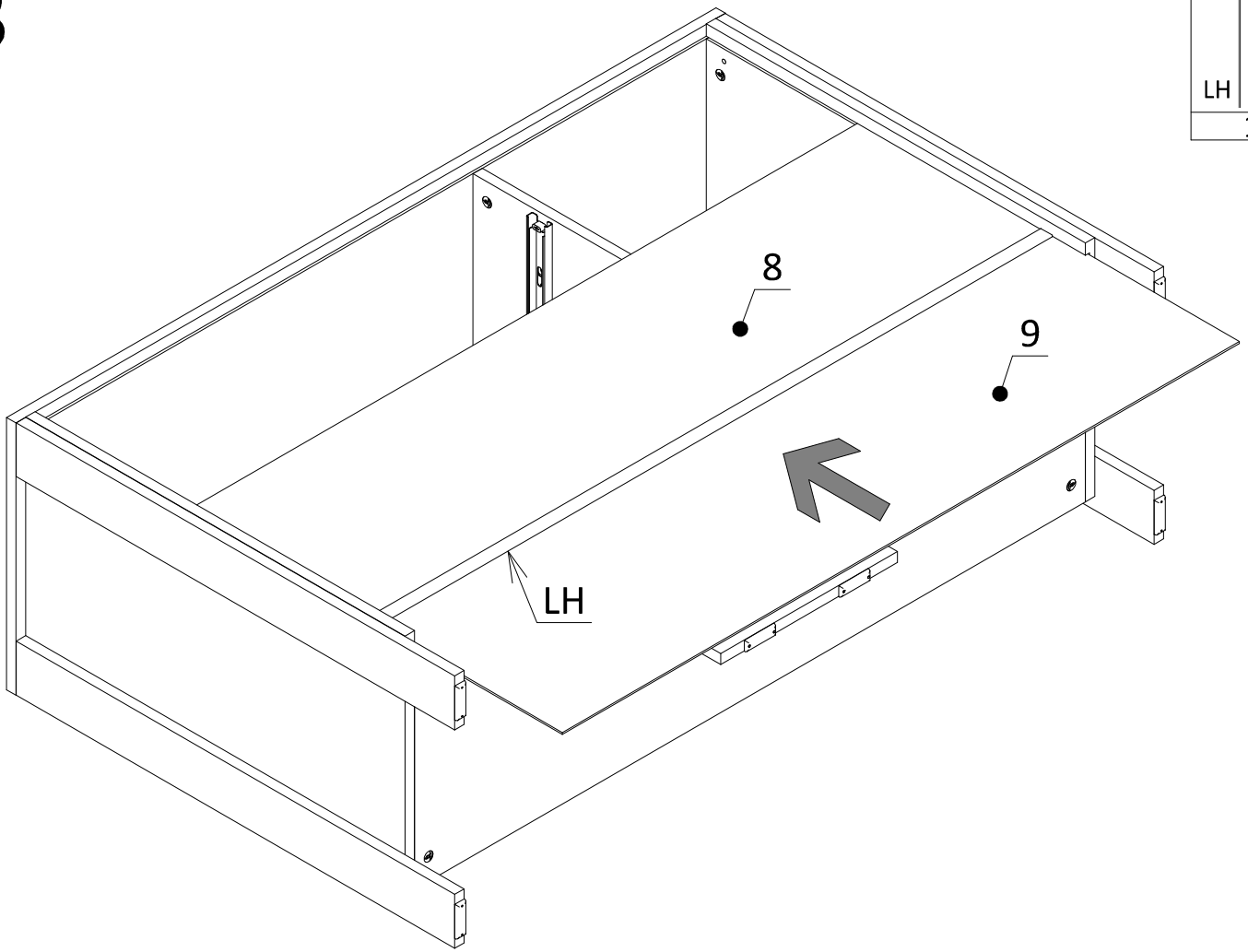
11



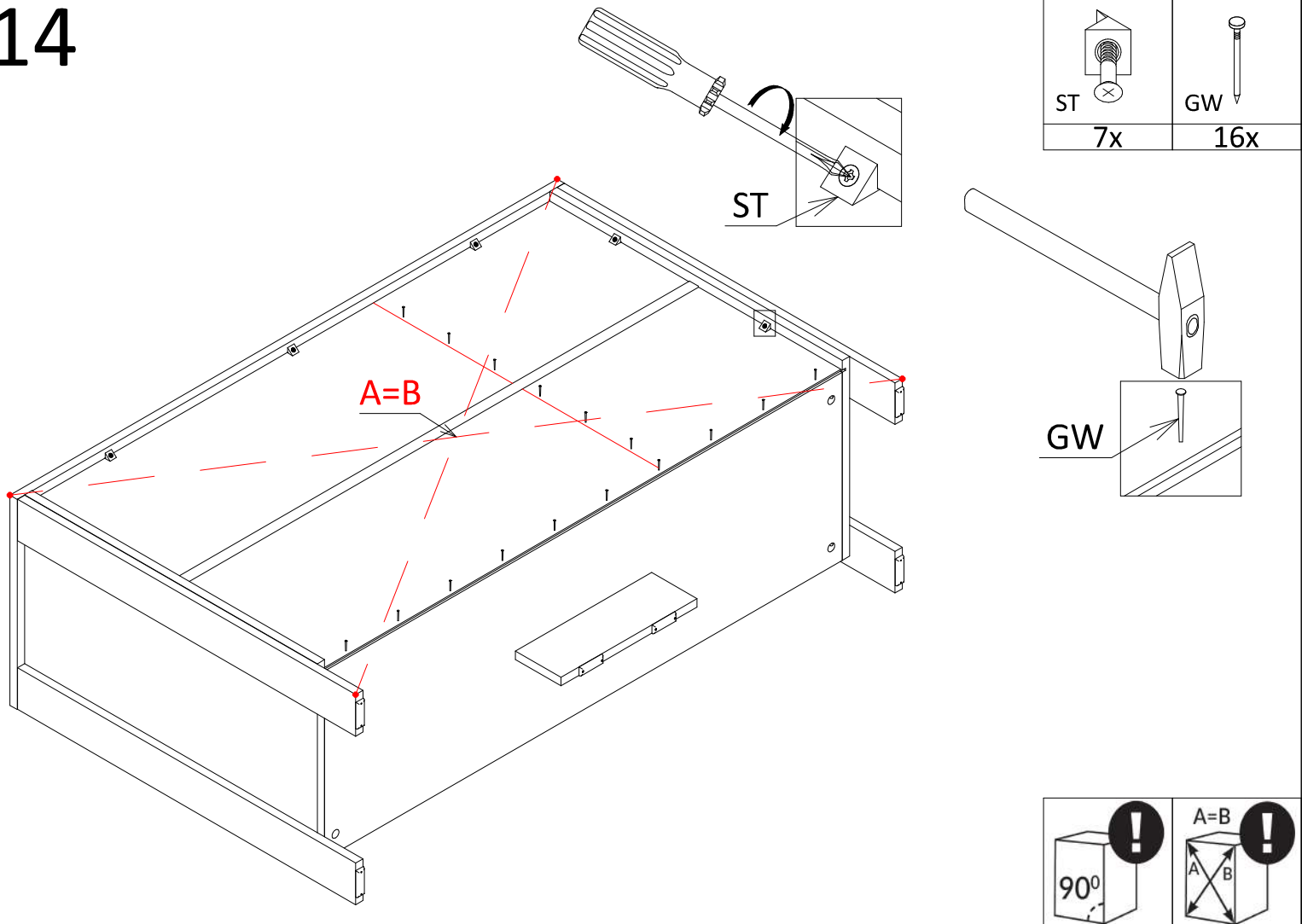
12



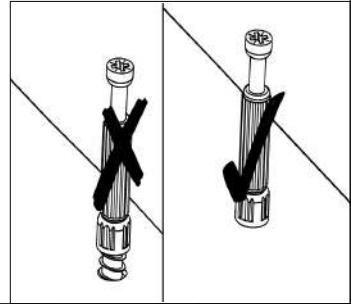
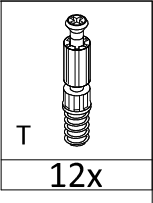
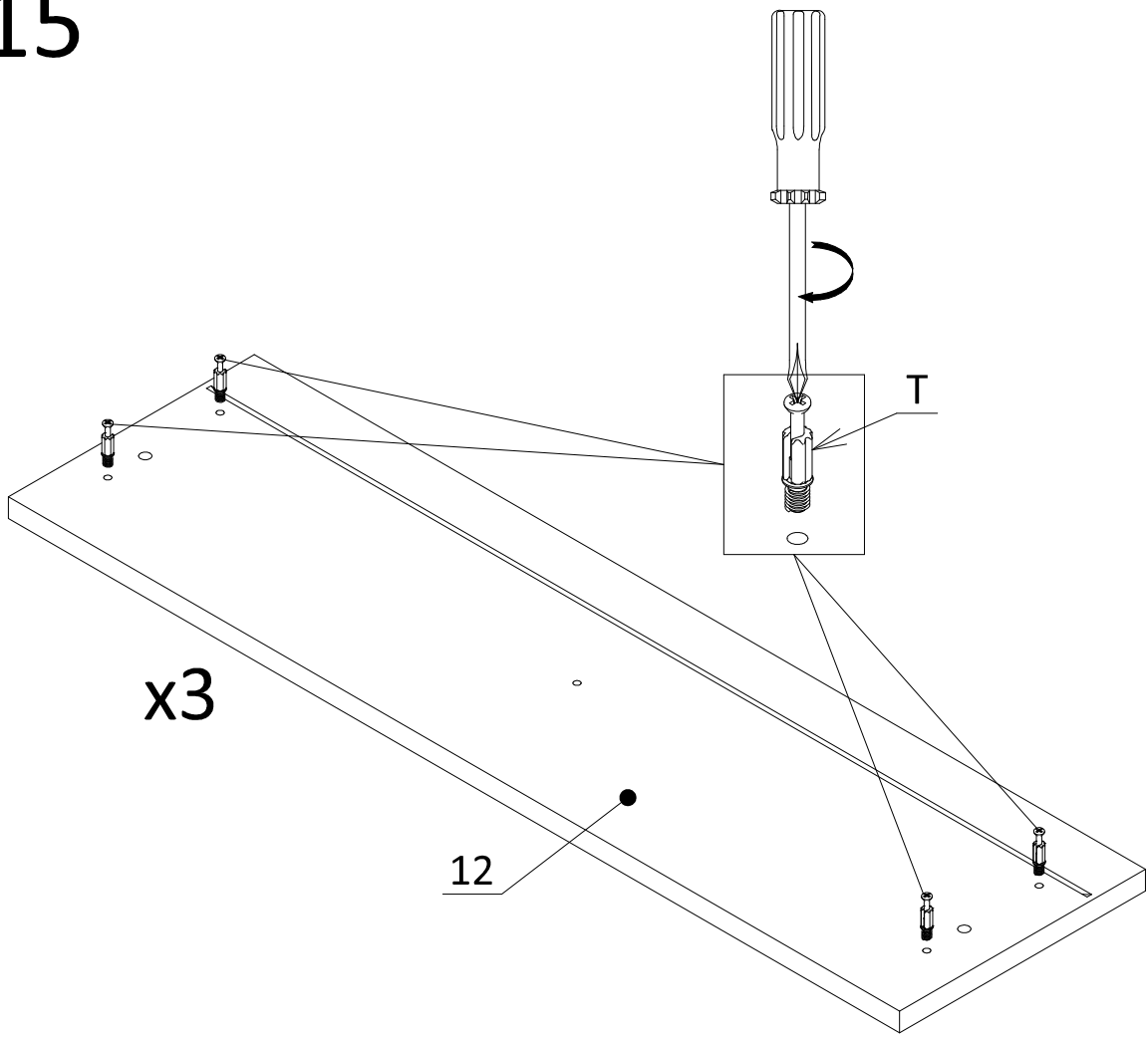
13



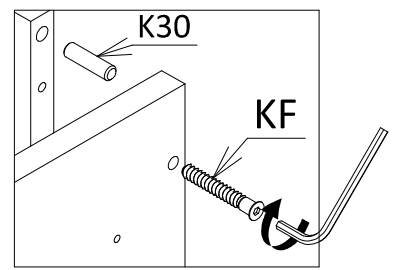
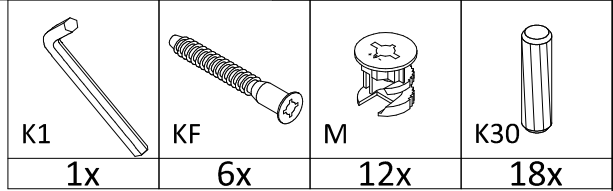
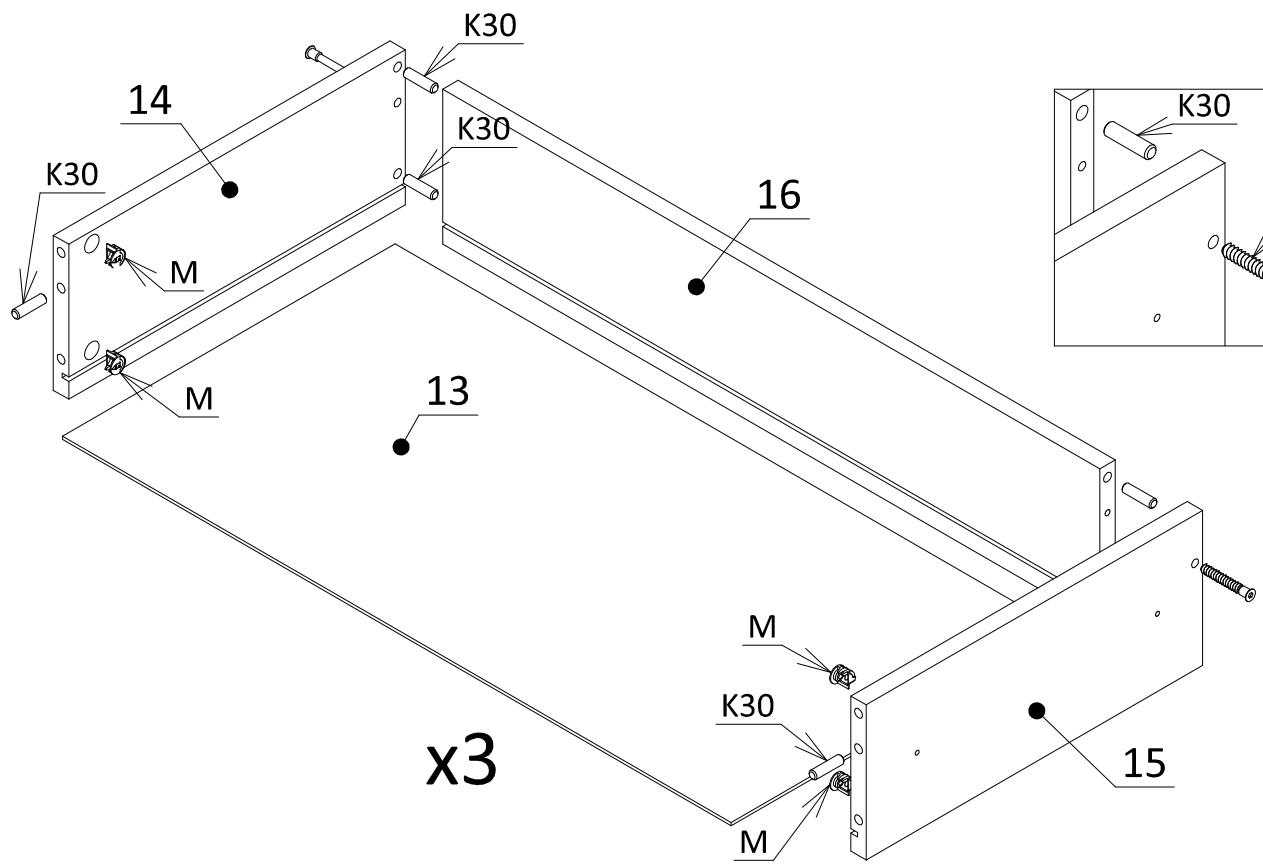
14



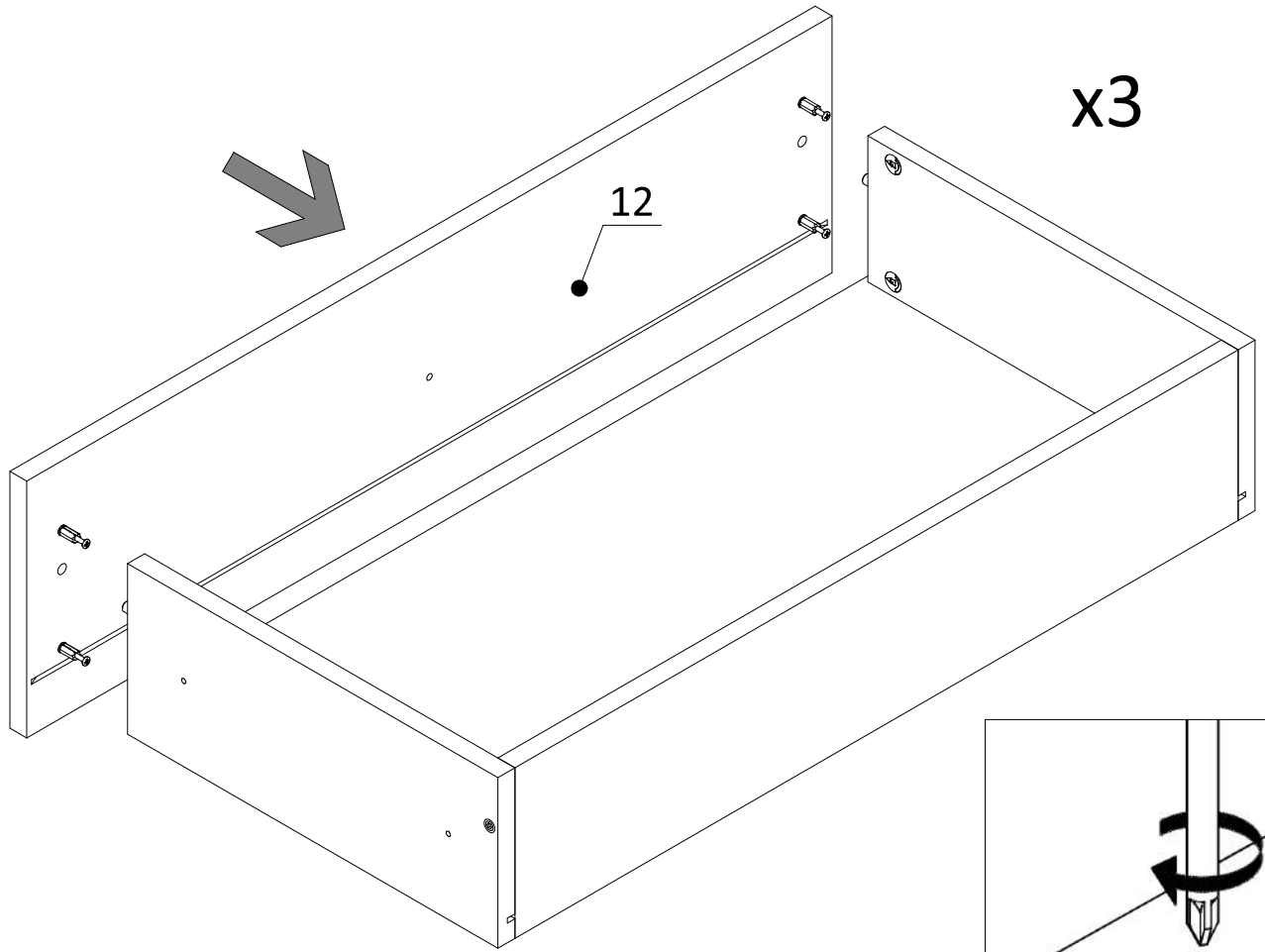
15



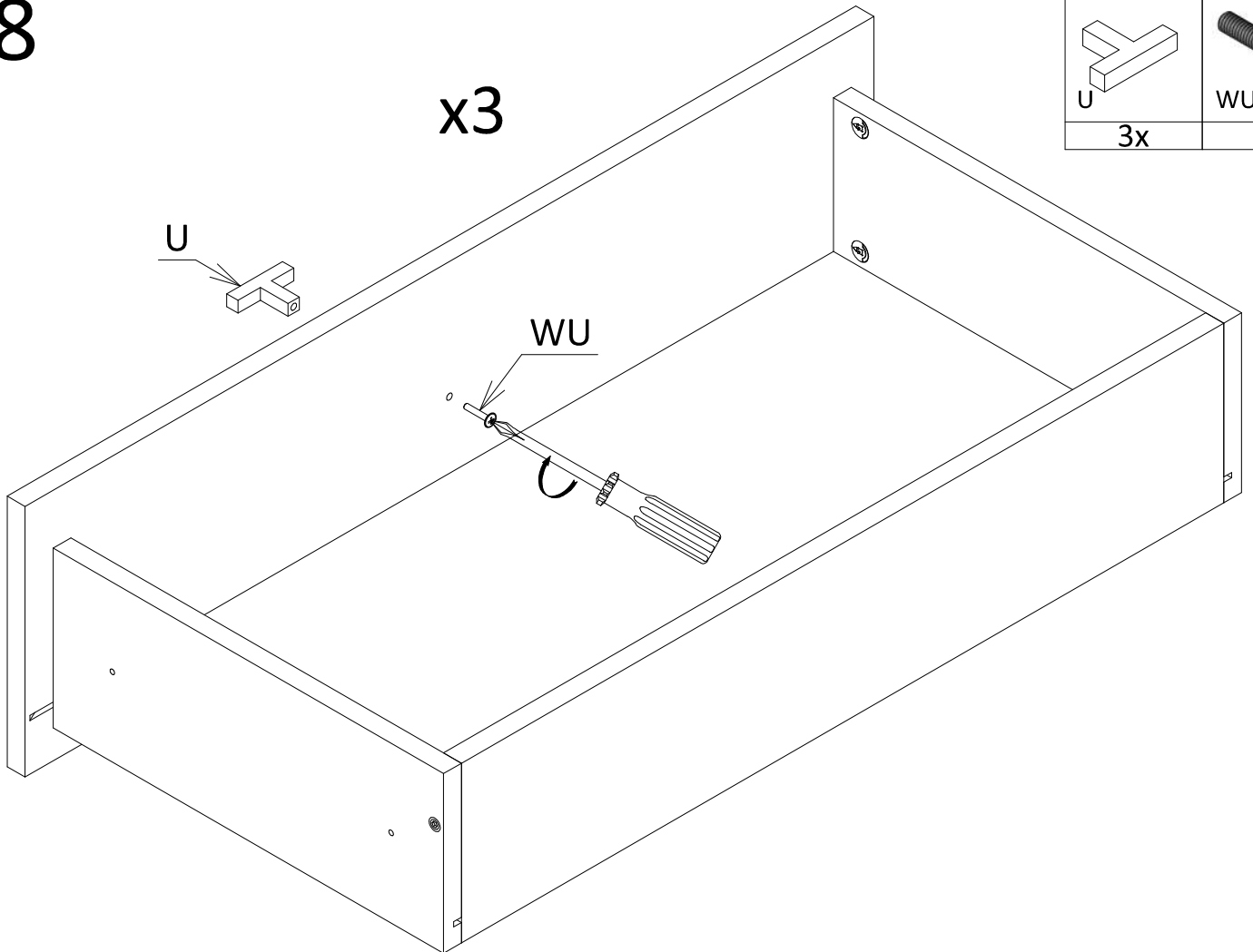
16



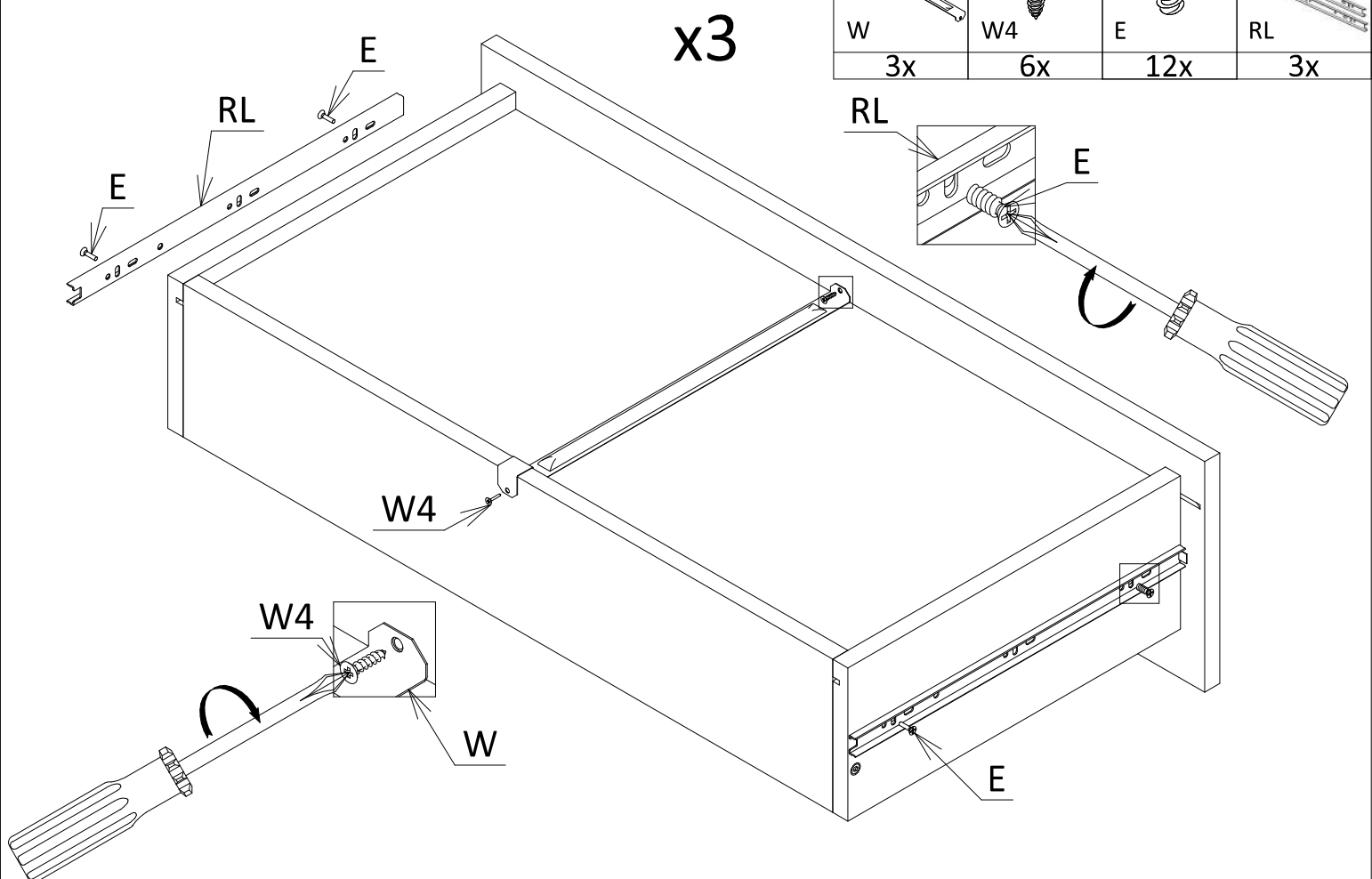
17



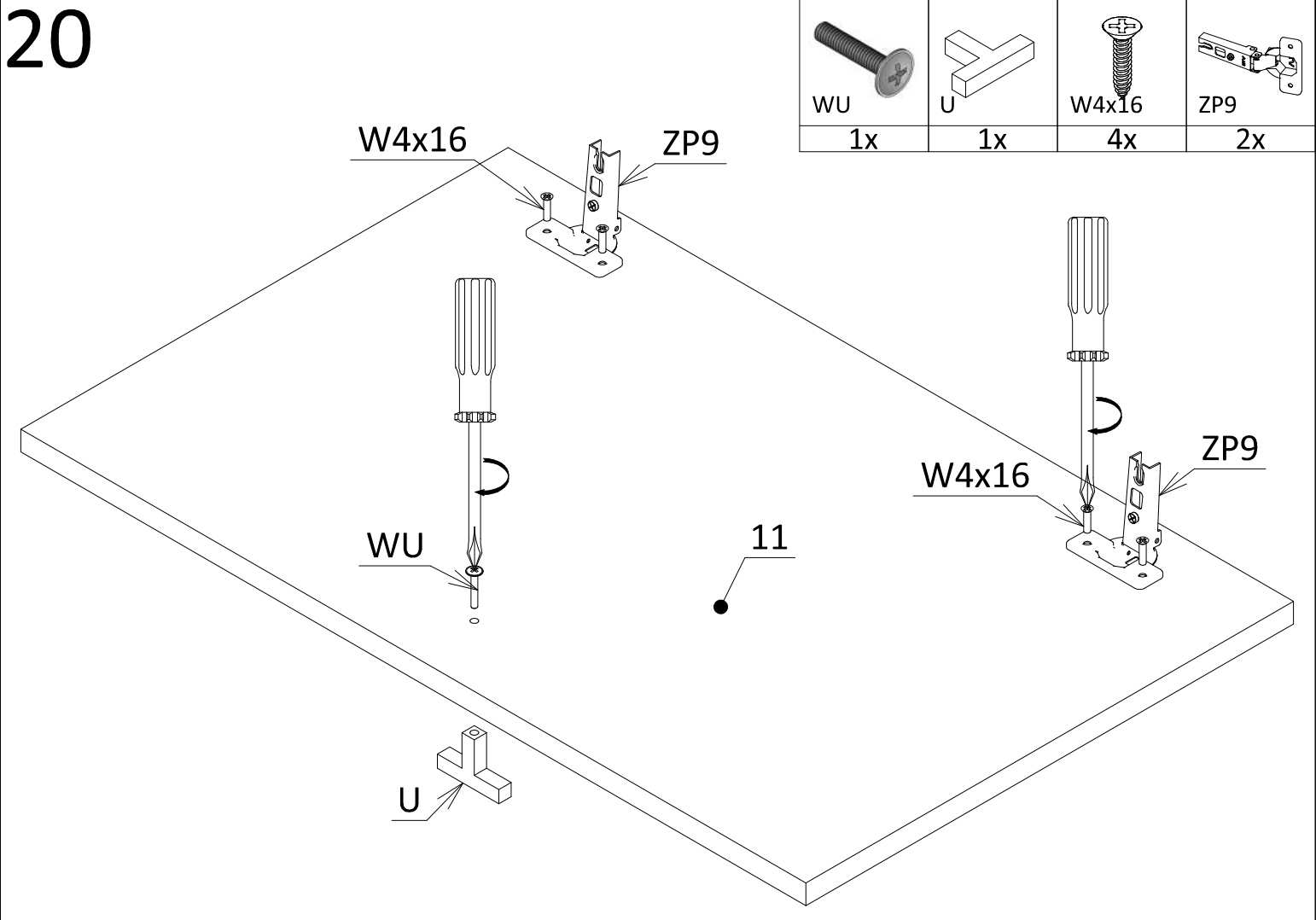
18



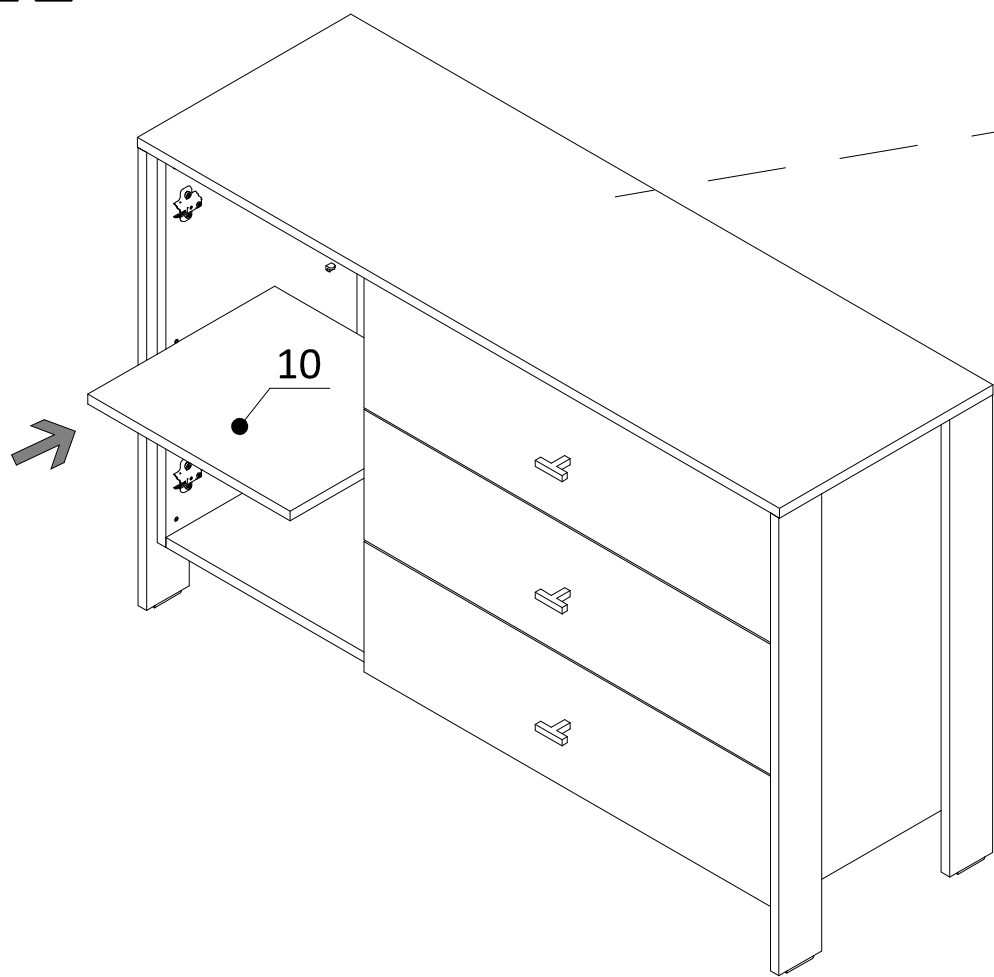
19



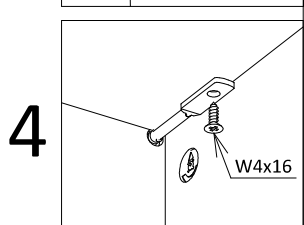
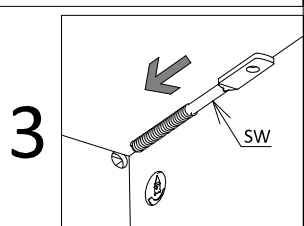
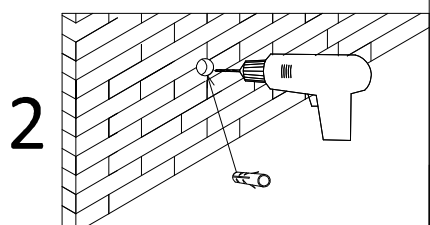
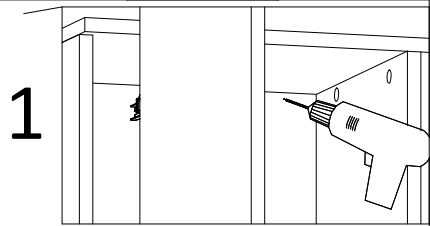
20



21



	SW	W4x16
	1x	1x



22

