

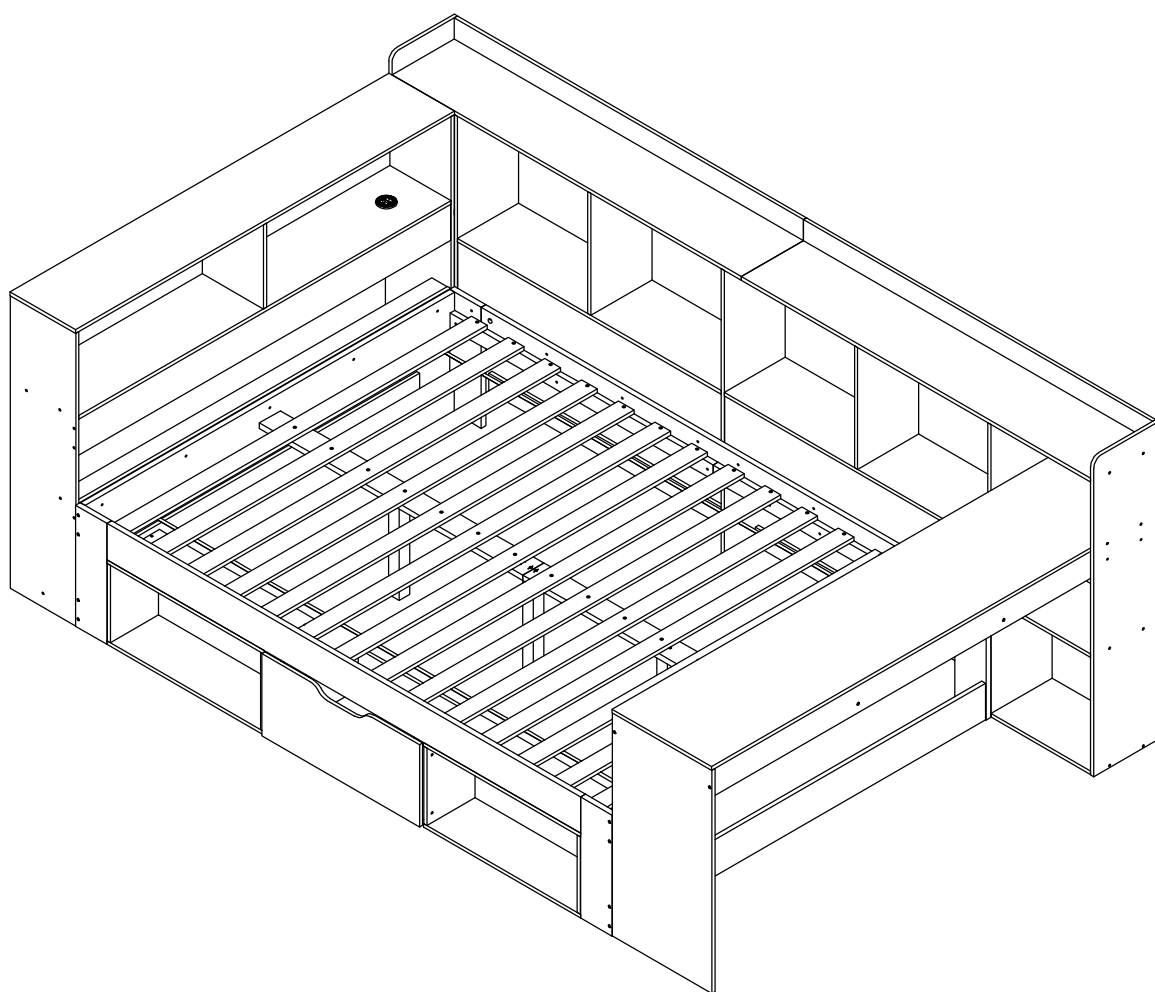
N634P388337

N634P388338

N634P388339

N634P388340

Product manual
Gebrauchsanweisung
Manuel du produit
Manual del producto
Manuale del prodotto



EN:Our product will be delivered to you in 4 packages.
The delivery times of these 4 packages may differ, please be patient and thank you for your understanding

FR:Notre produit vous sera livré en 4 colis. Les délais de livraison de ces 4 colis peuvent différer, soyez patient et merci de votre compréhension

DE:Unser Produkt wird Ihnen in 4 Paketen geliefert. Die Lieferzeiten dieser 4 Pakete können unterschiedlich sein. Bitte haben Sie Geduld und vielen Dank für Ihr Verständnis.

IT:Il nostro prodotto ti verrà consegnato in 4 pacchi. I tempi di consegna di questi 4 pacchi potrebbero variare, ti preghiamo di essere paziente e grazie per la comprensione.

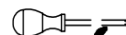
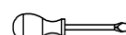
ES:Nuestro producto le será entregado en 4 paquetes. Los tiempos de entrega de estos 4 paquetes pueden diferir, tenga paciencia y gracias por su comprensión.



2PERS



Tool Required Not Provided





[DE]

Warnung: Lesen Sie die Anleitung vor dem Zusammenbau bitte vollständig durch. Überprüfen Sie, ob Sie alle auf den Seiten aufgeführten Komponenten und Werkzeuge haben.

Warnung: Legen Sie alle Teile auf eine ebene Fläche. Legen Sie eine weiche Decke oder Ähnliches darunter, um sie vor Kratzern oder Flecken zu schützen. Vermeiden Sie es, Komponenten über den Boden zu ziehen oder zu schieben.

Warnung: Überprüfen Sie regelmäßig alle Beschläge und Befestigungen, um sicherzustellen, dass sie sicher sind und um Unfälle zu vermeiden. Wenn Teile fehlen, kaputt, beschädigt oder abgenutzt sind, verwenden Sie das Produkt nicht weiter, bis es mit vom Hersteller autorisierten Teilen repariert wurde.

Warnung: Lassen Sie Kinder nicht auf die Möbel klettern, da dies zum Umkippen und zu schweren Verletzungen führen kann. Bauen Sie die Möbel außerhalb der Reichweite von Kindern zusammen.

Warnung: Stellen Sie die Möbel nicht in die Nähe von Feuerquellen oder heißen Gegenständen, um Brandgefahr zu vermeiden.

Warnung: Reinigen Sie die Möbel mit einem feuchten Tuch oder Alkohol. Verwenden Sie keine Reinigungsmittel mit ätzenden Chemikalien.

[EN]

Warning: Please read instructions fully before starting assembly. Check you have all the components and tools listed on pages.

Warning: Please place all parts on a flat surface. Place a soft blanket or similar underneath to protect against scratches or stains. Avoid dragging or sliding components across the floor.

Warning: Regularly check all fittings and fastenings to ensure they are secure and to prevent accidents. If any parts are missing, broken, damaged, or worn, discontinue use of the product until repairs have been made using factory authorized parts.

Warning: Do not allow children to climb on the furniture as this may result in tipping and serious personal injury. Assemble the furniture away from the reach of children.

Warning: Do not place furniture close to fire sources or high-temperature objects to avoid the risk of fire.

Warning: Clean furniture with a damp cloth or alcohol, avoid using cleaning agents containing corrosive chemicals.

[FR]

Avertissement : Veuillez lire entièrement les instructions avant de commencer l'assemblage. Vérifiez que vous disposez de tous les composants et outils répertoriés sur les pages.

Avertissement : Veuillez placer toutes les pièces sur une surface plane. Placez une couverture douce ou similaire en dessous pour les protéger des rayures ou des taches. Évitez de faire glisser les composants sur le sol.

Avertissement : Vérifiez régulièrement tous les raccords et fixations pour vous assurer qu'ils sont bien fixés et pour éviter les accidents. Si des pièces manquent, sont cassées, endommagées ou usées, cessez d'utiliser le produit jusqu'à ce que des réparations aient été effectuées à l'aide de pièces autorisées par l'usine.

Avertissement : Ne laissez pas les enfants grimper sur les meubles car cela pourrait entraîner un basculement et des blessures graves. Assemblez les meubles hors de portée des enfants.

Avertissement : Ne placez pas les meubles à proximité de sources de feu ou d'objets à haute température pour éviter tout risque d'incendie.

Avertissement : Nettoyez les meubles avec un chiffon humide ou de l'alcool, évitez d'utiliser des produits de nettoyage contenant des produits chimiques corrosifs.



[IT]

Attenzione: leggere attentamente le istruzioni prima di iniziare il montaggio. Verificare di avere tutti i componenti e gli strumenti elencati nelle pagine.

Attenzione: posizionare tutte le parti su una superficie piana. Posizionare una coperta morbida o simile sotto per proteggere da graffi o macchie. Evitare di trascinare o far scivolare i componenti sul pavimento.

Attenzione: controllare regolarmente tutti i raccordi e i dispositivi di fissaggio per assicurarsi che siano sicuri e per prevenire incidenti. Se alcune parti sono mancanti, rotte, danneggiate o usurate, interrompere l'uso del prodotto fino a quando non siano state eseguite le riparazioni utilizzando parti autorizzate dalla fabbrica.

Attenzione: non consentire ai bambini di arrampicarsi sui mobili poiché ciò potrebbe causare ribaltamenti e gravi lesioni personali. Montare i mobili lontano dalla portata dei bambini.

Attenzione: non posizionare i mobili vicino a fonti di fuoco o oggetti ad alta temperatura per evitare il rischio di incendio.

Attenzione: pulire i mobili con un panno umido o alcol, evitare di utilizzare detergenti contenenti sostanze chimiche corrosive.

[ES]

Advertencia: Lea las instrucciones completamente antes de comenzar el montaje. Compruebe que tiene todos los componentes y herramientas que se enumeran en las páginas.

Advertencia: Coloque todas las piezas sobre una superficie plana. Coloque una manta suave o algo similar debajo para protegerlas de rayones o manchas. Evite arrastrar o deslizar los componentes por el piso.

Advertencia: Verifique regularmente todos los accesorios y fijaciones para asegurarse de que estén seguros y evitar accidentes. Si falta alguna pieza, está rota, dañada o desgastada, deje de usar el producto hasta que se hayan realizado las reparaciones con piezas autorizadas de fábrica.

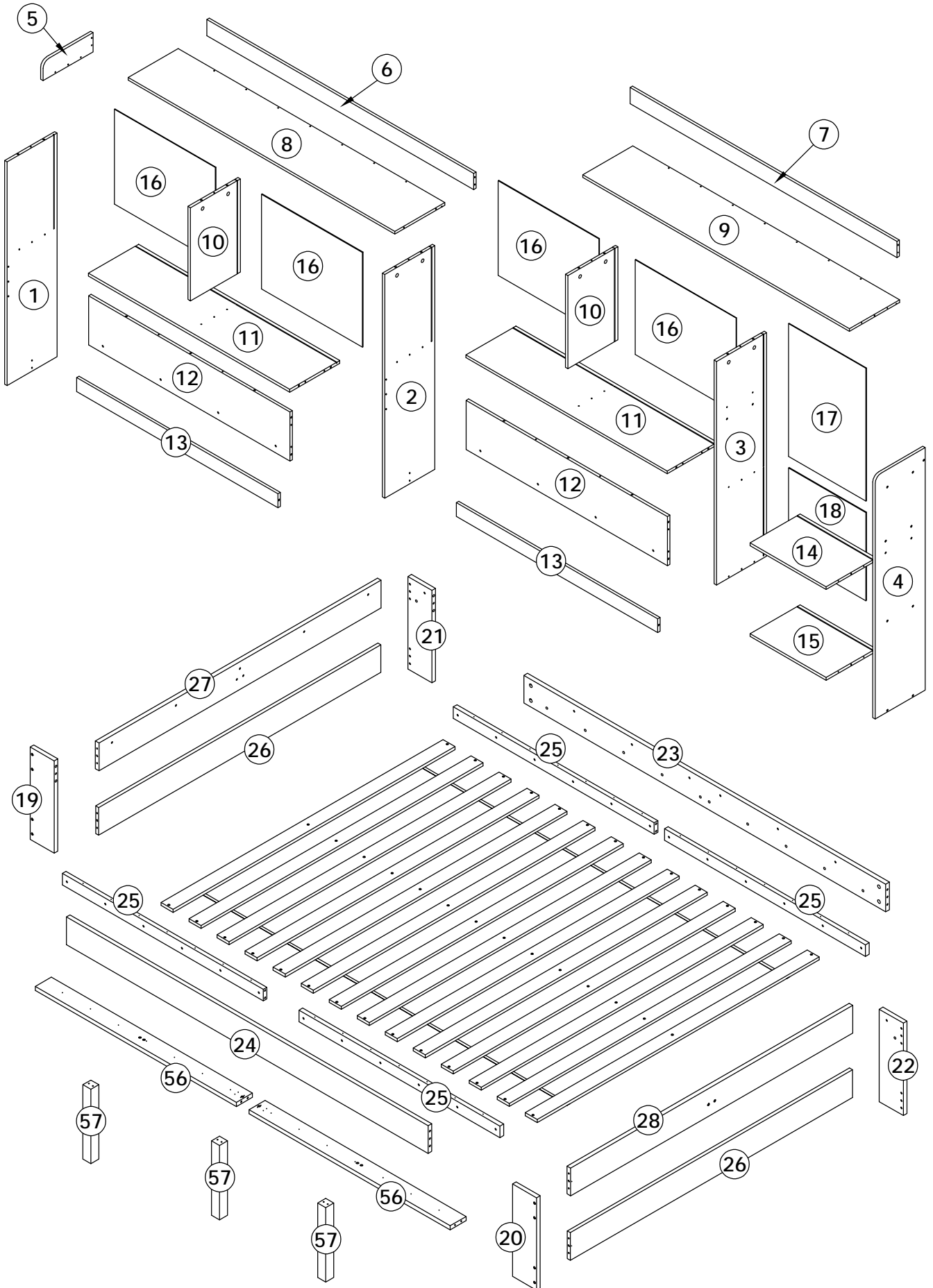
Advertencia: No permita que los niños se suban a los muebles, ya que esto puede provocar que se vuelquen y lesiones personales graves. Monte los muebles fuera del alcance de los niños.

Advertencia: No coloque los muebles cerca de fuentes de fuego u objetos de alta temperatura para evitar el riesgo de incendio.

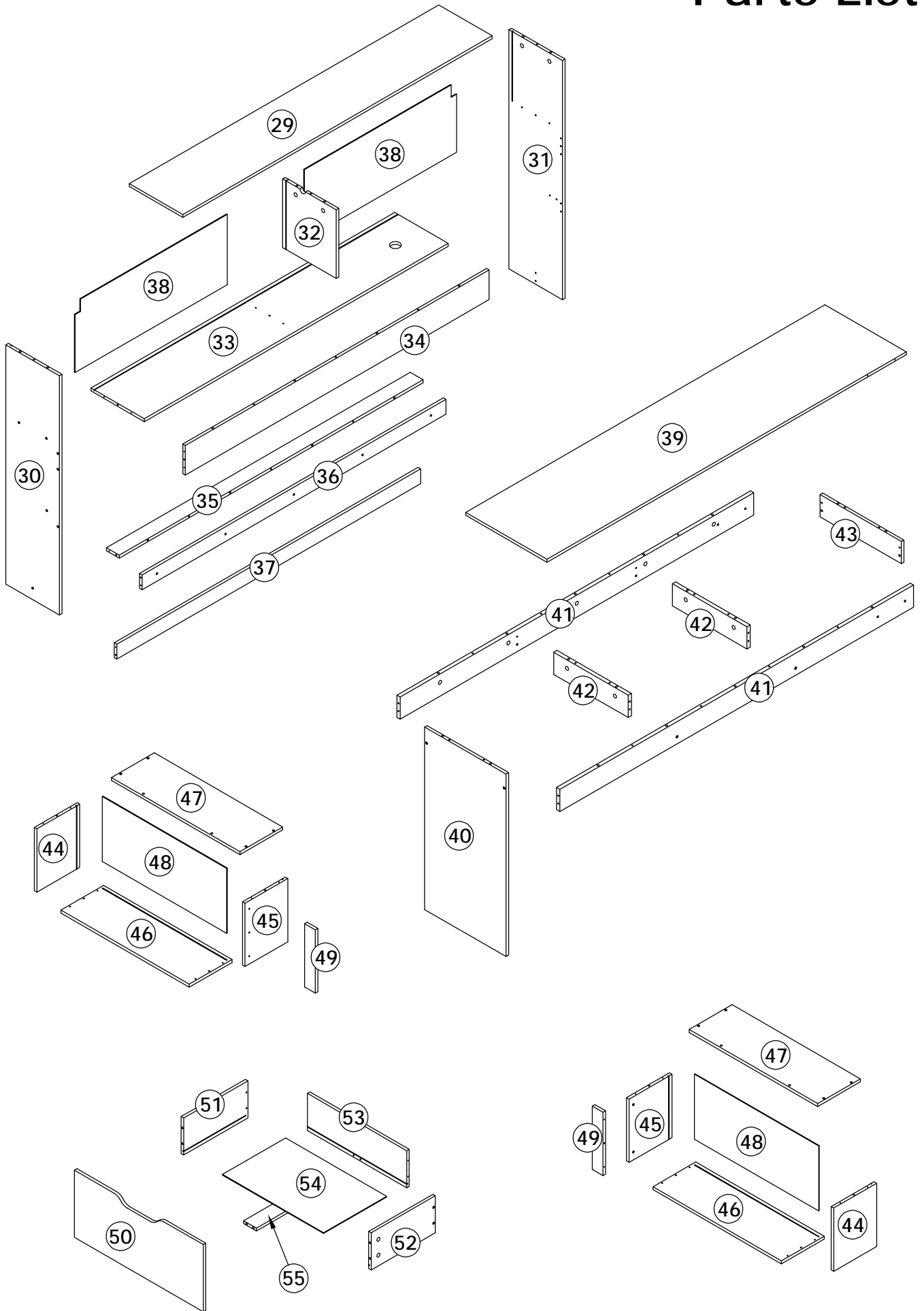
Advertencia: Limpie los muebles con un paño húmedo o alcohol, evite usar agentes de limpieza que contengan químicos corrosivos.

Importeur	Decobus Handel GmbH
Adresse	Innungsstraße 9,21244 Buchholz,Deutschland
Emai/URL	https://www.decobusgroup.de
Hersteller	SHANDONG YIJUMUZHAI SMART HOME CO..LTD
Adresse	1666M EAST OF JINGUANG STREETBRIDGE,LUOCHENG TOWN,SHOUGUANGCITY,WEIFANG CITY,SHANDONG PROVINCE
Email/URL	http://www.yinjumuzhai.com
Partienummer	N634P388337 N634P388338 N634P388339 N634P388340
Hergestellt in	CHINA
	Decobus Handel GmbH Innungsstraße 9,21244 Buchholz,Deutschland https://www.decobusgroup.de

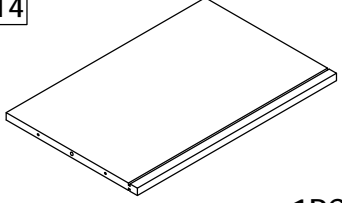
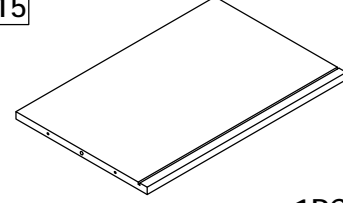
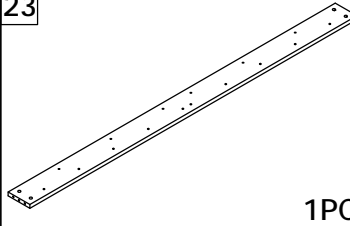
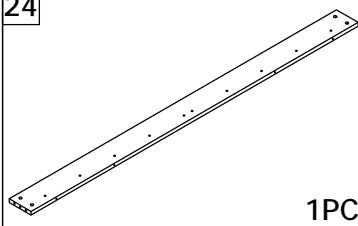
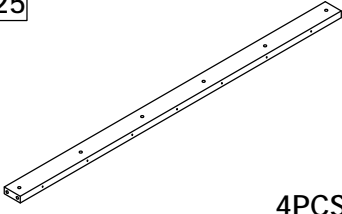
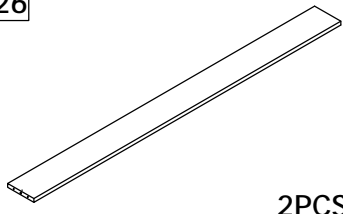
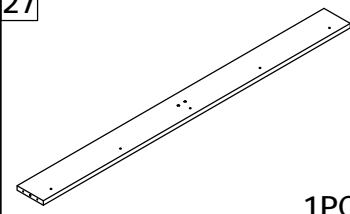
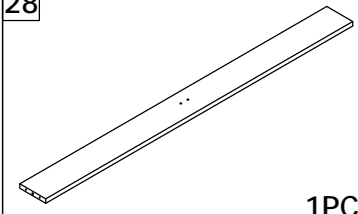
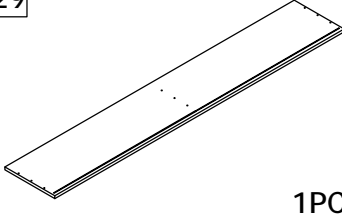
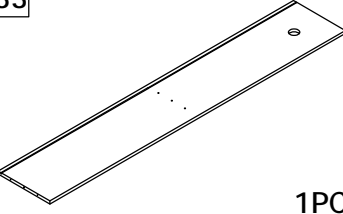
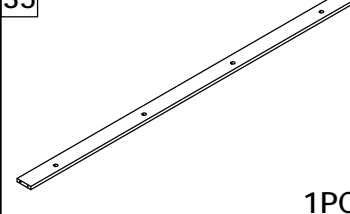
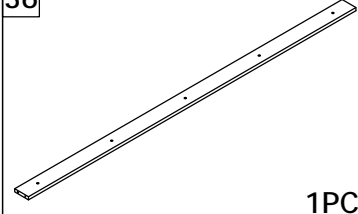
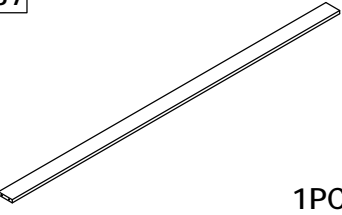
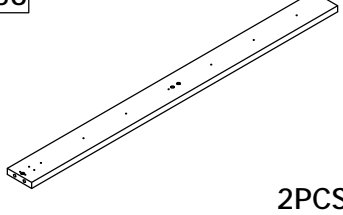
Parts List



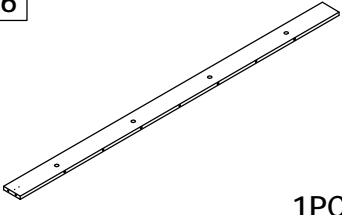
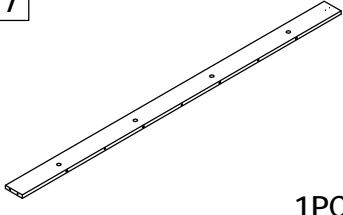
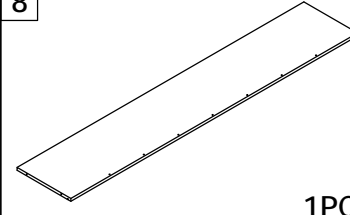
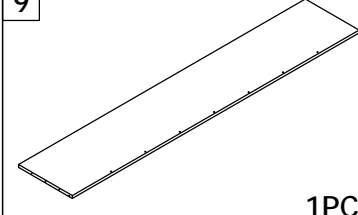
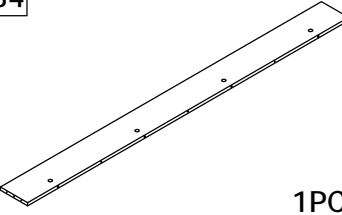
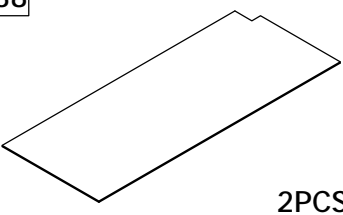
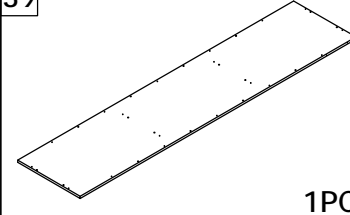
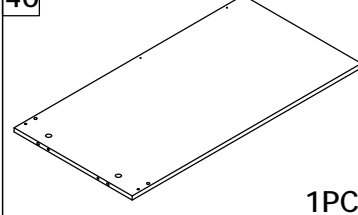
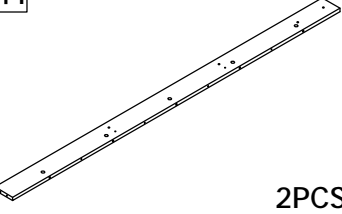
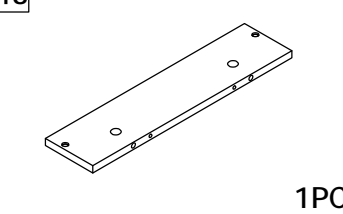
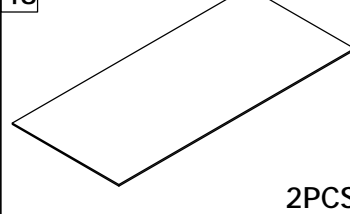
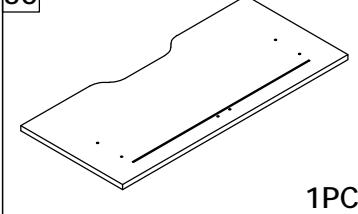
Parts List



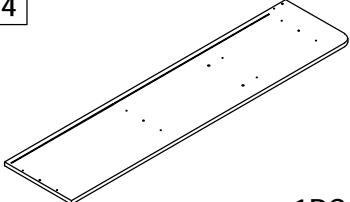
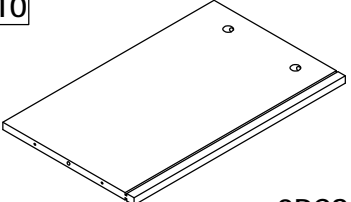
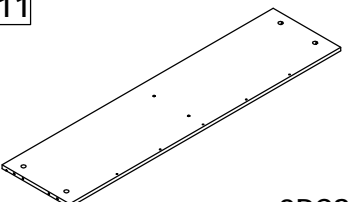
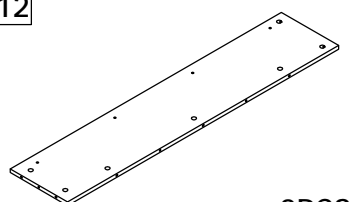
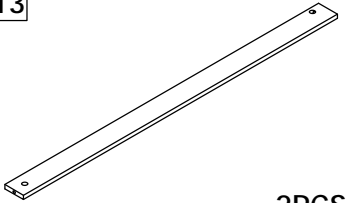
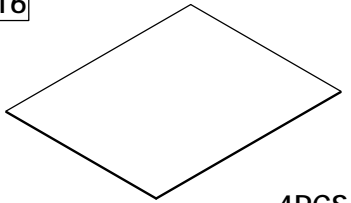
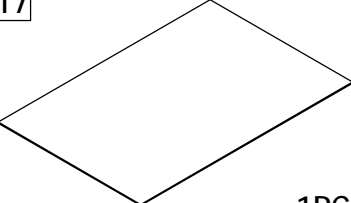
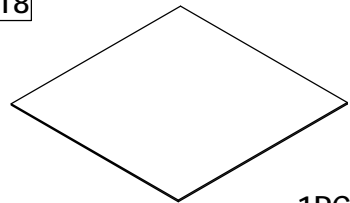
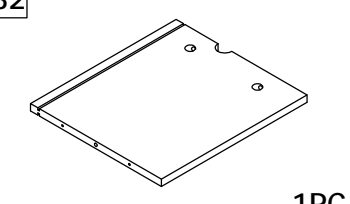
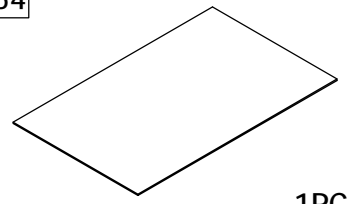
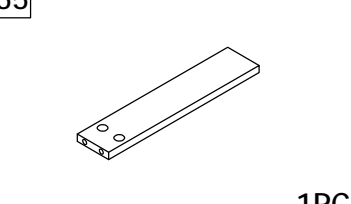
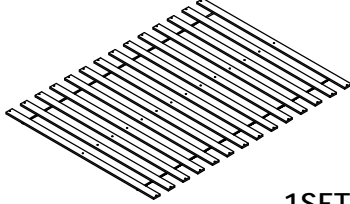
N634P388337

14  1PC	15  1PC	23  1PC	24  1PC
25  4PCS	26  2PCS	27  1PC	28  1PC
29  1PC	33  1PC	35  1PC	36  1PC
37  1PC	56  2PCS		

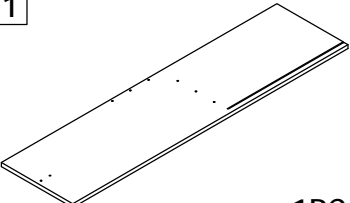
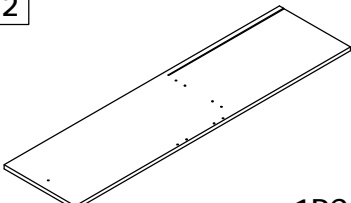
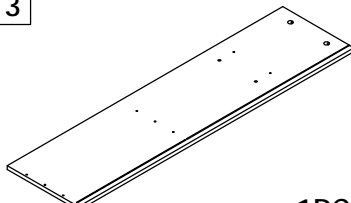
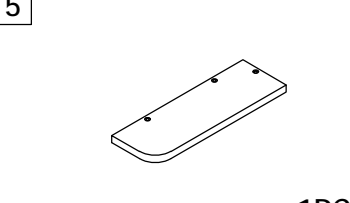
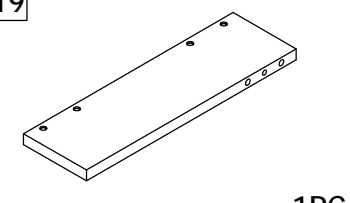
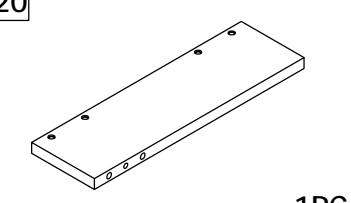
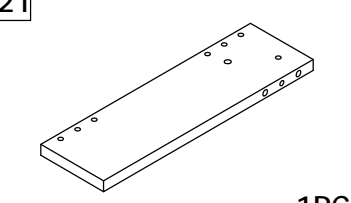
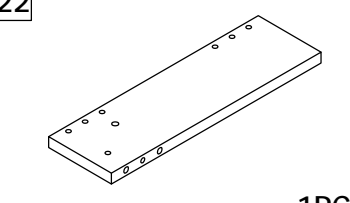
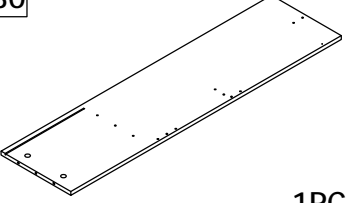
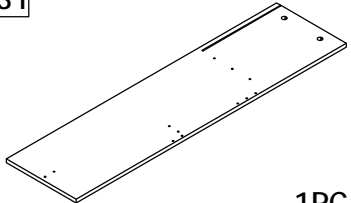
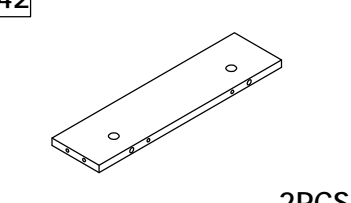
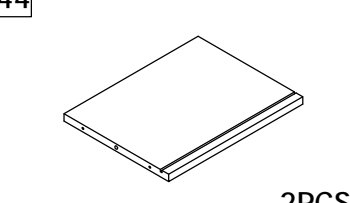
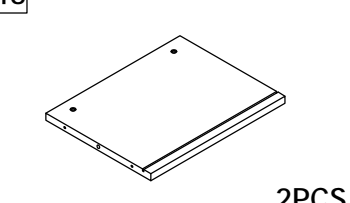
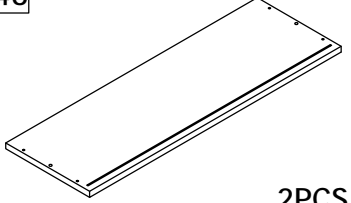
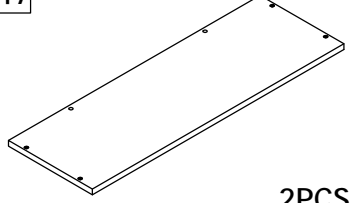
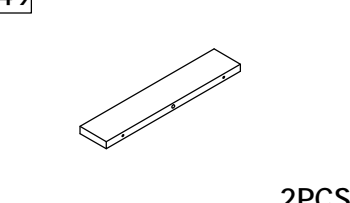
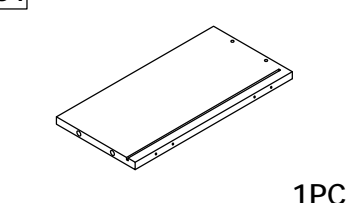
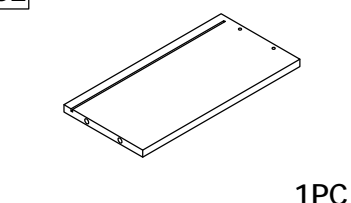
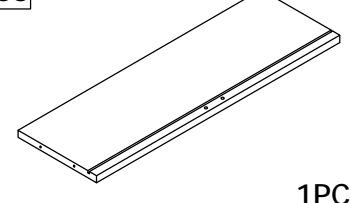
N634P388338

6  1PC	7  1PC	8  1PC	9  1PC
34  1PC	38  2PCS	39  1PC	40  1PC
41  2PCS	43  1PC	48  2PCS	50  1PC

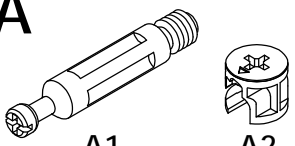
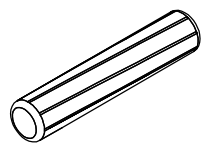
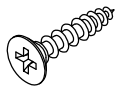
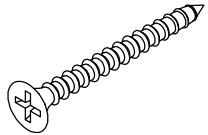
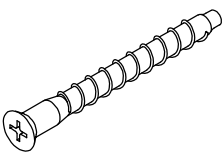

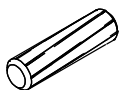

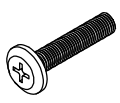
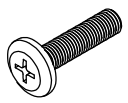

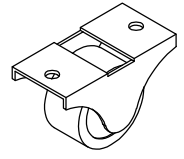
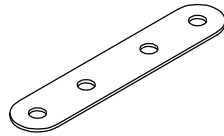
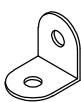
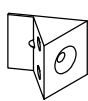
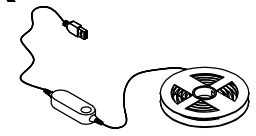
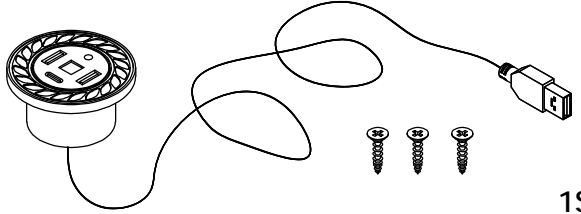
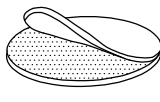
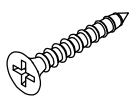
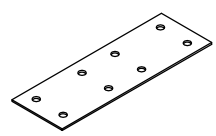
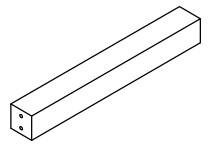
N634P388339

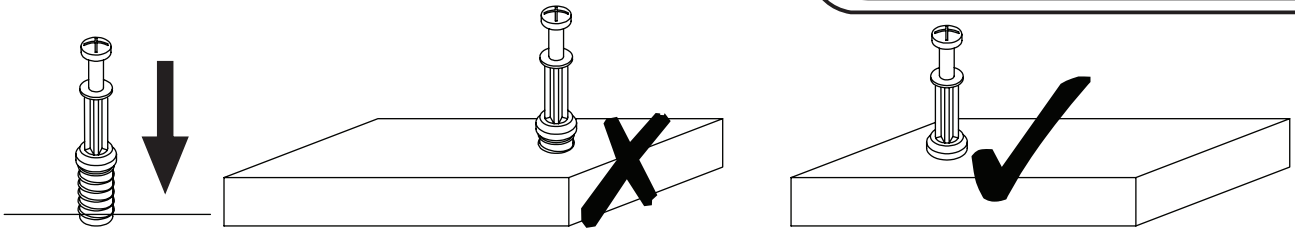
4  1PC	10  2PCS	11  2PCS	12  2PCS
13  2PCS	16  4PCS	17  1PC	18  1PC
32  1PC	54  1PC	55  1PC	 1SET

N634P388340

1  1PC	2  1PC	3  1PC	5  1PC
19  1PC	20  1PC	21  1PC	22  1PC
30  1PC	31  1PC	42  2PCS	44  2PCS
45  2PCS	46  2PCS	47  2PCS	49  2PCS
51  1PC	52  1PC	53  1PC	

Hardware N634P388340

<p>A</p>  <p>A1 A2</p> <p>90SETS</p>	<p>B</p>  <p>8 x 40MM</p> <p>18PCS</p>	<p>C</p>  <p>3.5 x 12MM</p> <p>72PCS</p>	<p>D</p>  <p>3.5 x 30MM</p> <p>34PCS</p>
<p>E</p>  <p>7 x 50MM</p> <p>34PCS</p>	<p>F</p>  <p>M5x38MM</p> <p>62PCS</p>	<p>G</p>  <p>6x30MM</p> <p>97PCS</p>	<p>H</p>  <p>M6 x 15MM</p> <p>17PCS</p>
<p>J</p>  <p>M6 x 30MM</p> <p>24PCS</p>	<p>K</p>  <p>M6 x 25MM</p> <p>13PCS</p>	<p>L</p>  <p>M6 x 20MM</p> <p>4PCS</p>	<p>M</p>  <p>4PCS</p>
<p>N</p>  <p>3PCS</p>	<p>P</p>  <p>6PCS</p>	<p>Q</p>  <p>32PCS</p>	<p>R</p>  <p>1SET</p>
<p>S</p>  <p>1SET</p>		<p>T</p>  <p>40PCS</p>	<p>U</p>  <p>3.5 x 20MM</p> <p>14PCS</p>
<p>V</p>  <p>1PC</p>	<p>57</p>  <p>3PCS</p>		



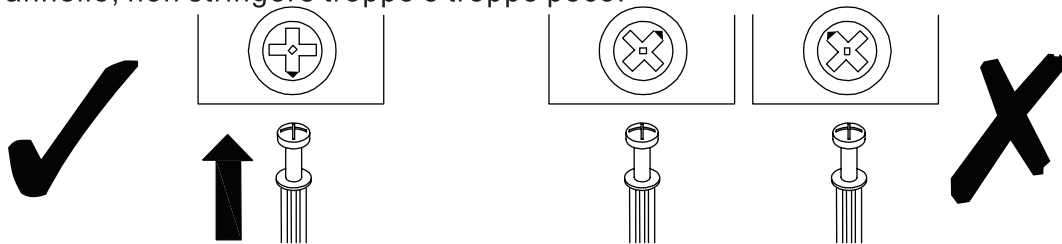
EN_QUICKFIT: Tighten quickfit until shoulder is flush with panel. Do not overtighten or undertighten.

FR_RACCORD RAPIDE: Faites serrer le raccord rapide jusqu'à ce que l'épaulement soit parfaitement encastré dans le panneau. Il ne faut ni trop serrer ni insuffisamment serrer.

ES_QUICKFIT: Apriete quickfit hasta que el hombro se descargue con el panel. NO lo sobreapriete ni lo apriete poco.

DE_QUICKFIT: Ziehen Sie den Quickfit fest, bis die Schulter mit der Platte bündig ist. Bitte nicht zu fest oder zu schwach anziehen.

IT_MONTAGGIO RAPIDO: Stringere il montaggio rapido fino a quando la spalla è a filo con il pannello, non stringere troppo o troppo poco.



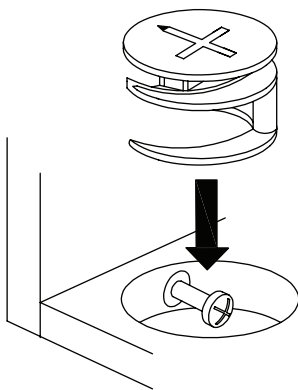
EN_CAM LOCK: When fitting cam lock, ensure starting position is correct before you insert connecting quickfit.

FR_SERRURE BATTEUSE: Avant d'insérer la serrure batteuse, veillez à la bonne orientation avant d'insérer le raccord rapide.

ES_CIERRE DE LA CÁMARA: Cuando instale el cierre de la cámara, asegúrese de que la posición de inicio es correcta antes de que inserte el quickfit conector.

DE_CAM-LOCK: Achten Sie bei der Montage des Cam-Locks auf die richtige Ausgangsposition, bevor Sie den Quickfit einsetzen.

IT_BLOCCAGGIO A CAMMA: Quando si monta il bloccaggio a camma, assicurarsi che la posizione iniziale sia corretta prima di inserire il montaggio rapido di collegamento.



EN_Quickfit head should be in the centre of the cam lock when the two panels are joined.

Cam lock should be inserted before quickfit.

FR_Lorsque les deux panneaux sont assemblés, la tête du raccord rapide doit reposer au centre de la serrure batteuse. Il faut insérer la serrure batteuse avant le raccord rapide.

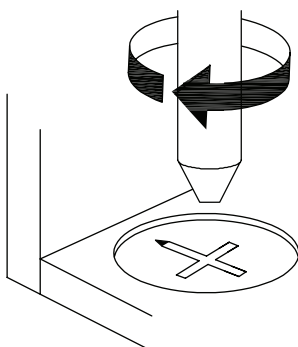
ES_El cabezal del quickfit debe estar en el centro del cierre de la cámara cuando se unan los dos paneles.

Se debe insertar el cierre de la cámara antes que el quickfit.

DE_Der Quickfit-Kopf sollte sich in der Mitte des Cam-Locks befinden, wenn die beiden Platten zusammengefügt sind. Der Cam-Lock sollte vor dem Quickfit eingesetzt werden.

IT_La testa del montaggio rapido deve trovarsi al centro del bloccaggio a camma quando i due pannelli sono uniti.

Il Bloccaggio a Camma deve essere inserito prima del montaggio rapido.



EN_Turn cam lock clockwise to tighten.

FR_Faites tourner la serrure batteuse dans le sens des aiguilles d'une montre pour la resserrer.

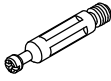
ES_Gire el cierre de la cámara en sentido horario para apretarlo.

DE_Drehen Sie den Cam-Lock im Uhrzeigersinn, um ihn festzuziehen.

IT_Ruotare il bloccaggio a camma in senso orario per stringere.

1

A1



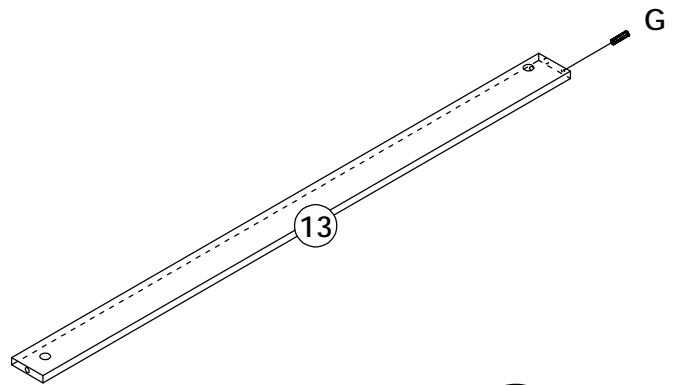
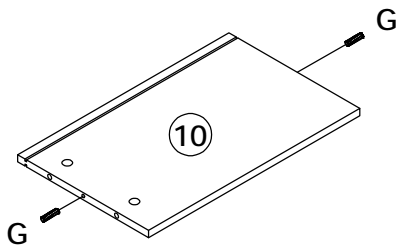
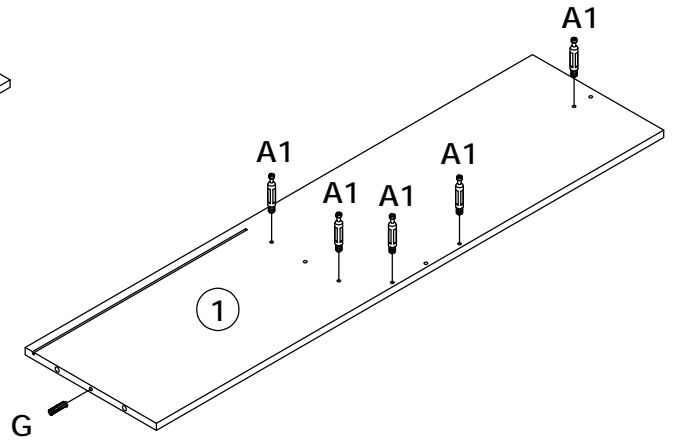
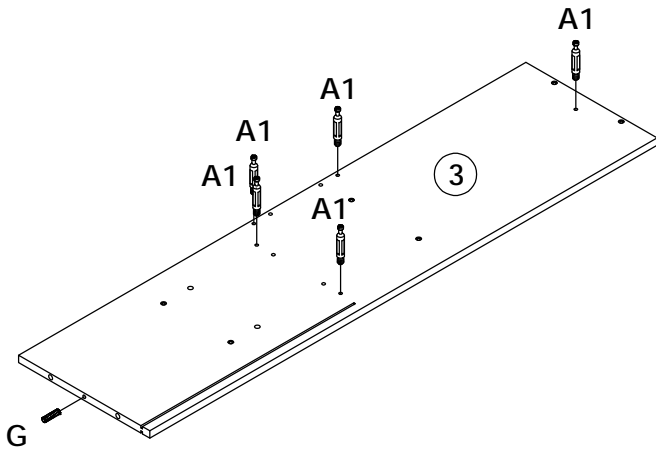
16PCS

G

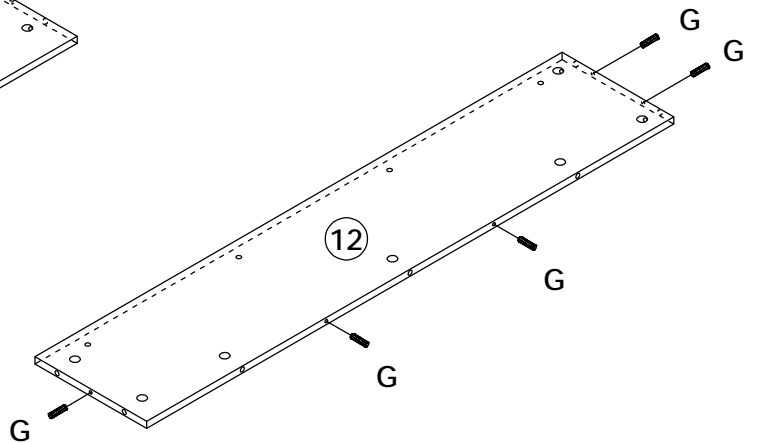
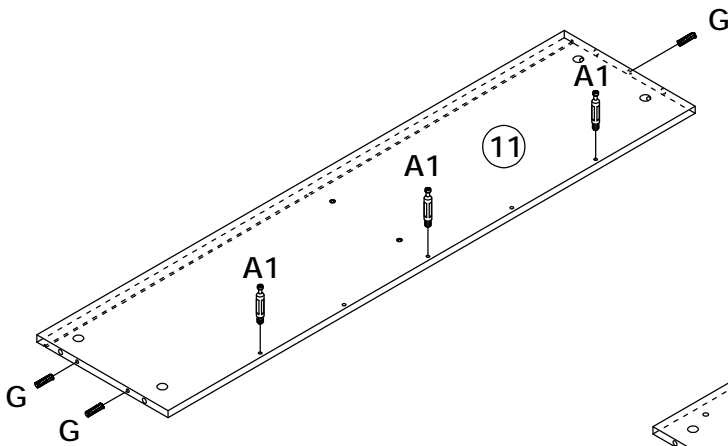


6x30MM

24PCS

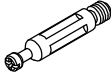


x 2



2

A1



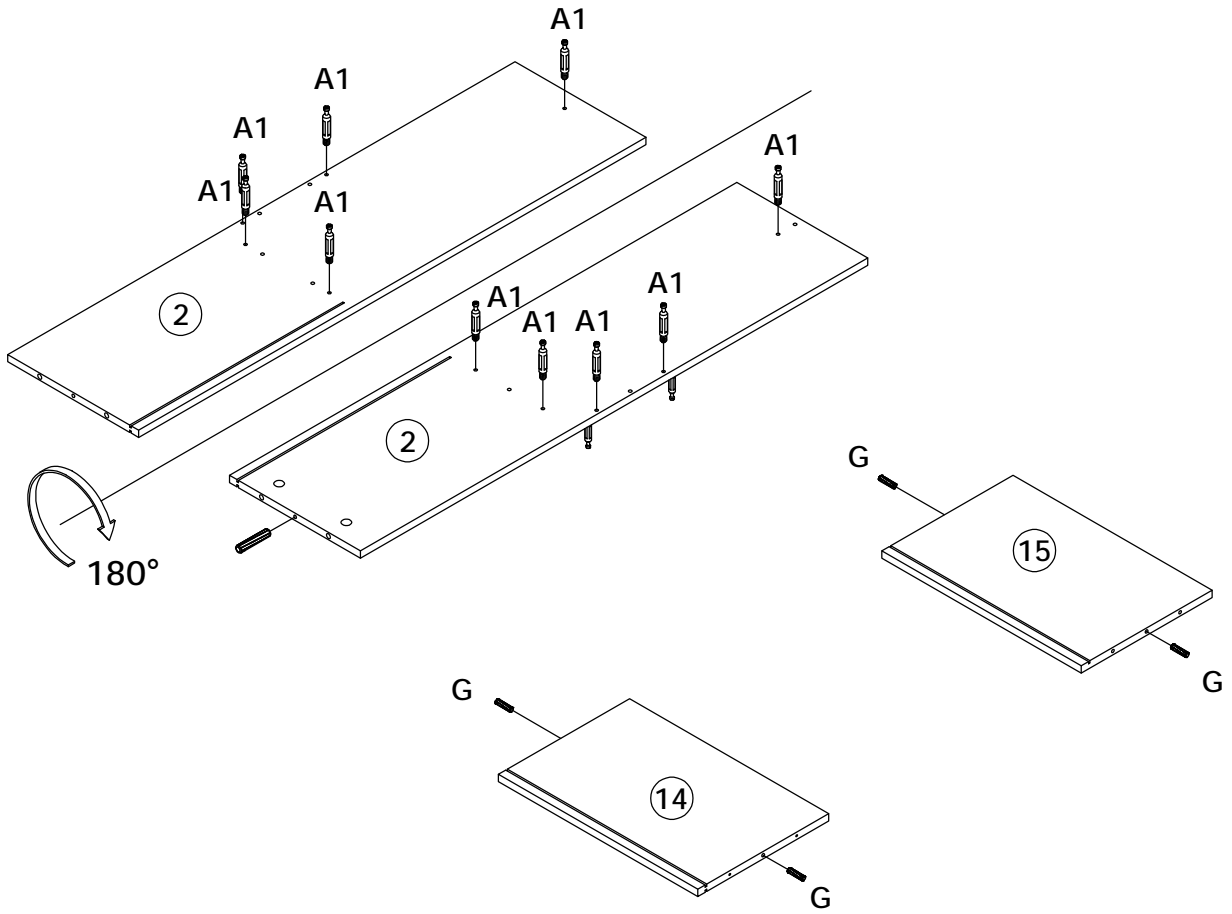
10PCS

G



6x30MM

5PCS



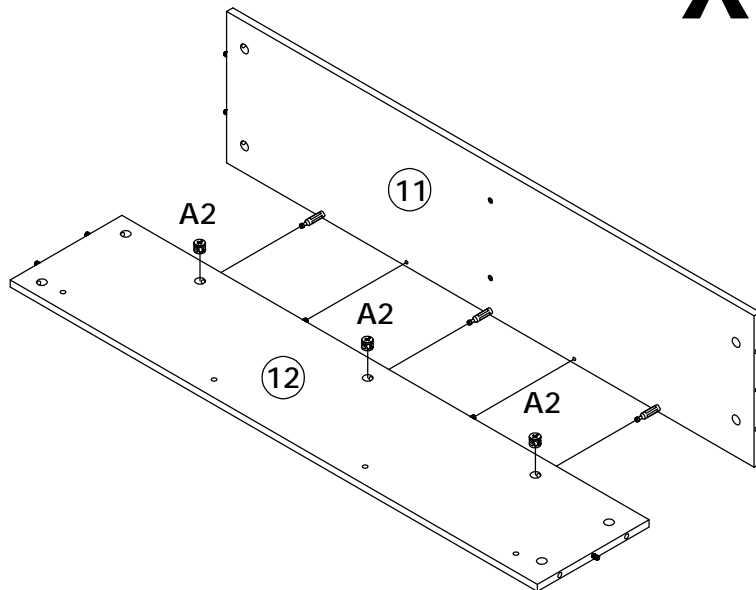
3

A2



6PCS

x 2

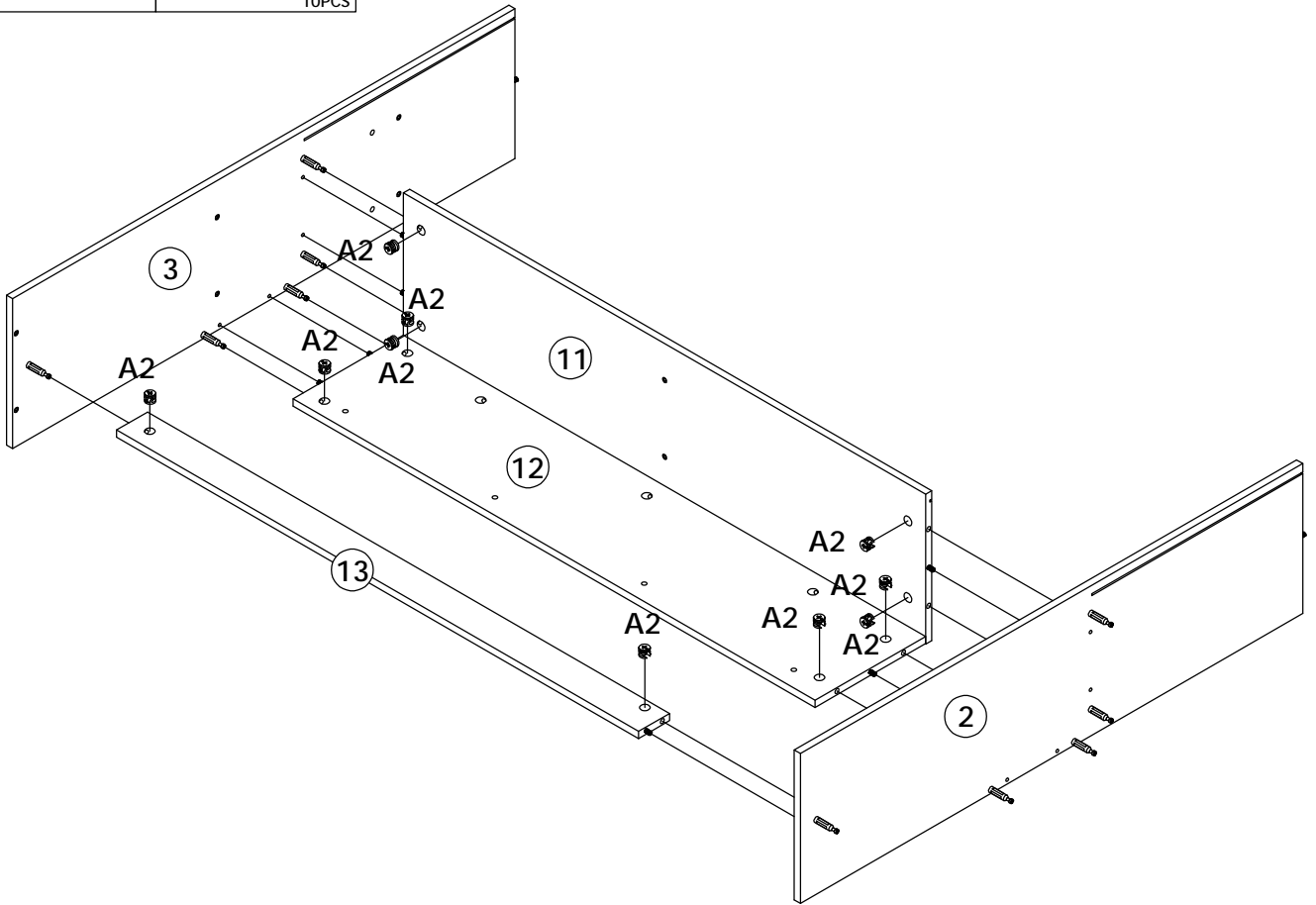


4

A2



10PCS

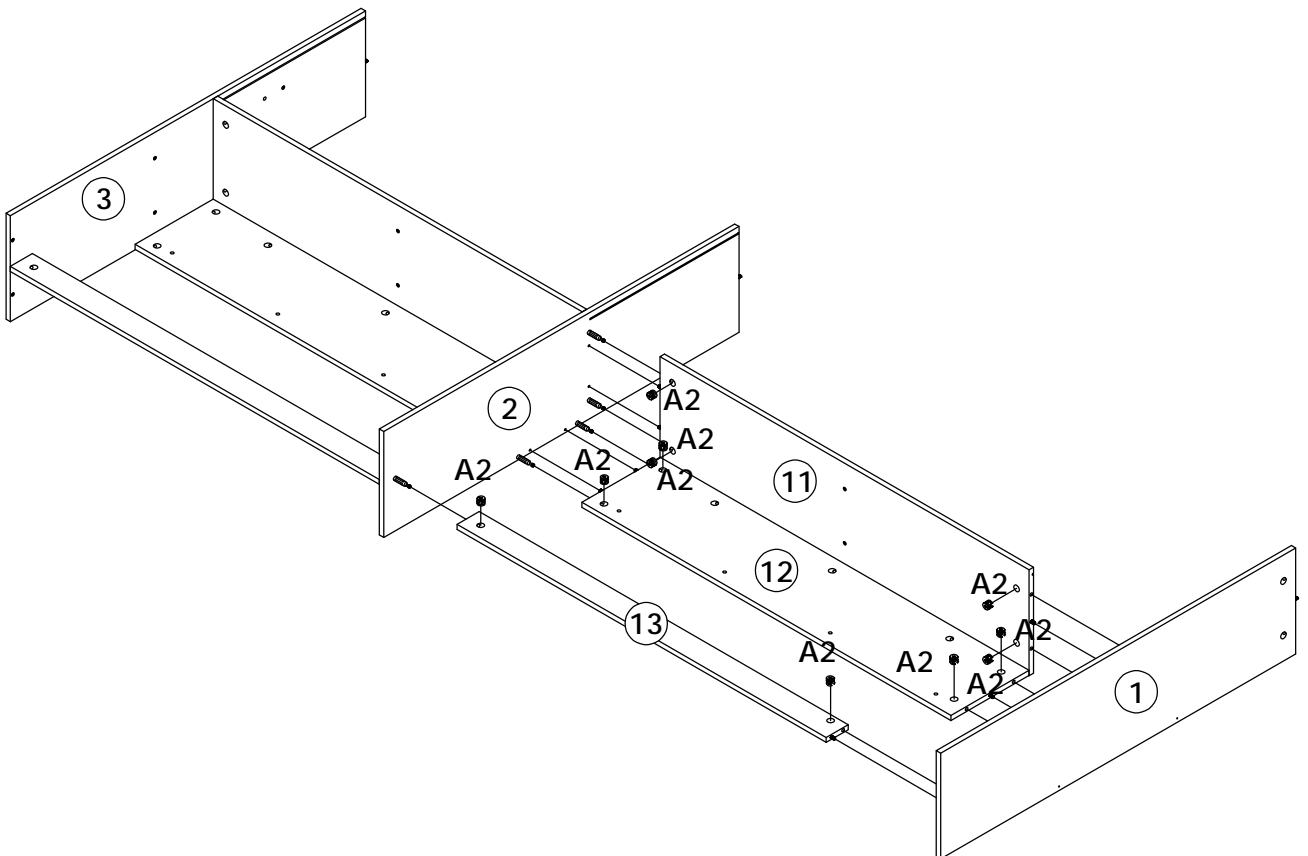


5

A2



10PCS



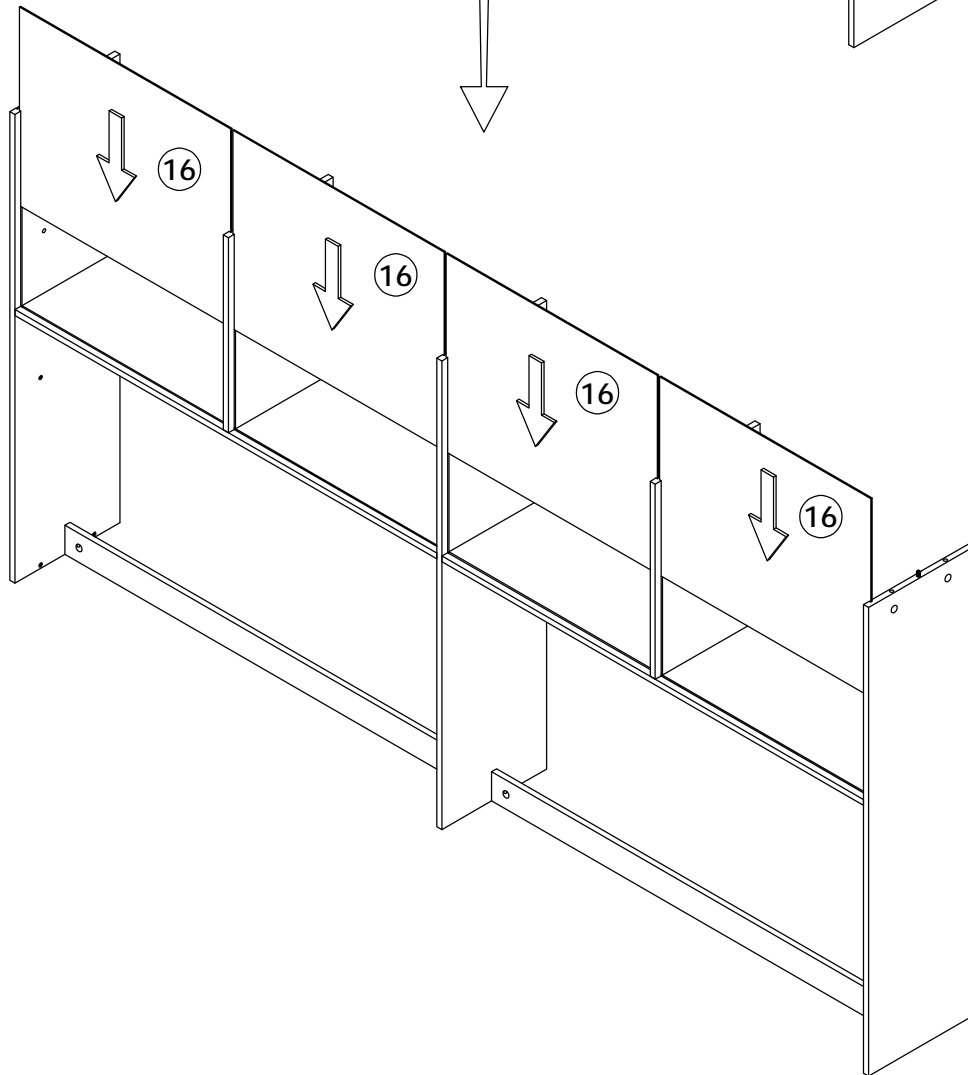
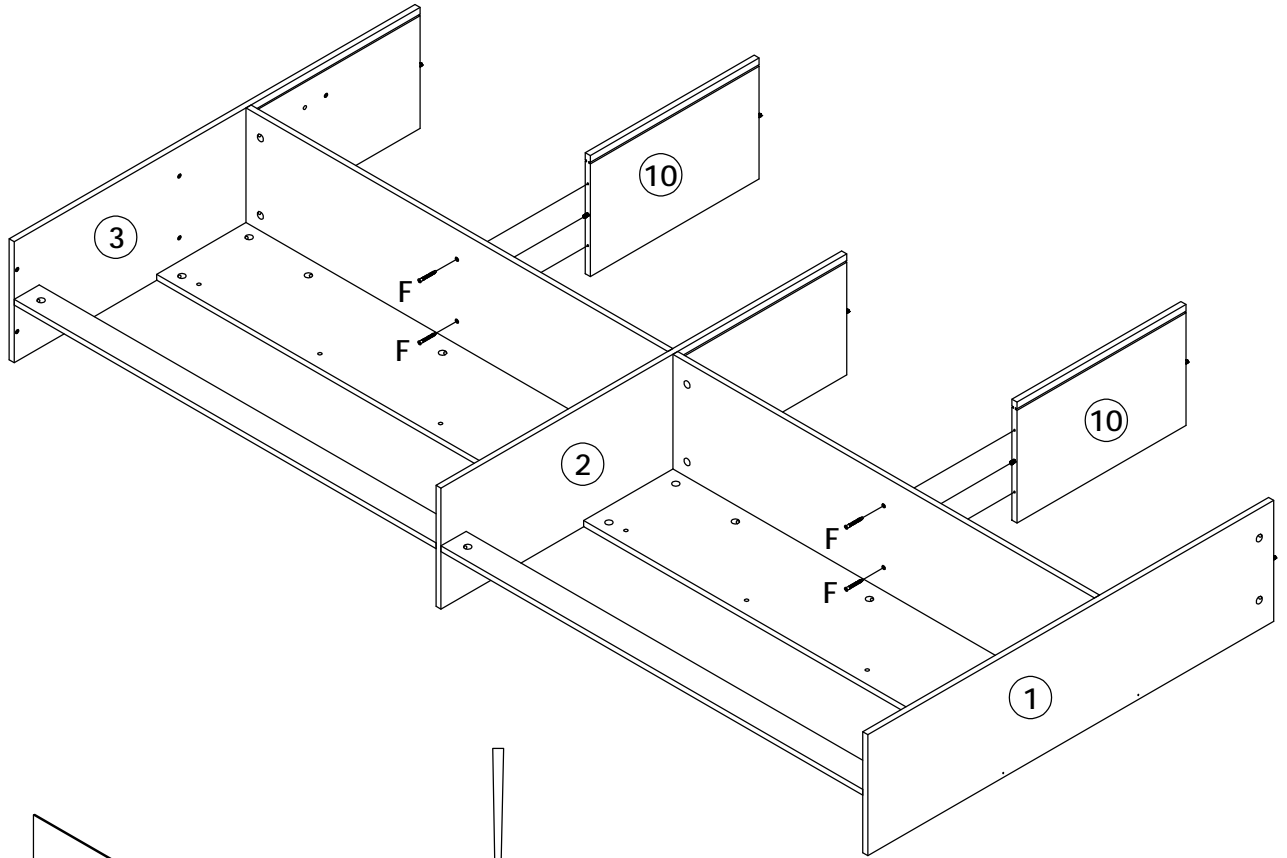
6

F

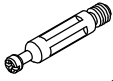


M5x38MM

4PCS



7

A1

18PCS

G

6x30MM

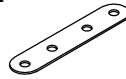
C

4PCS

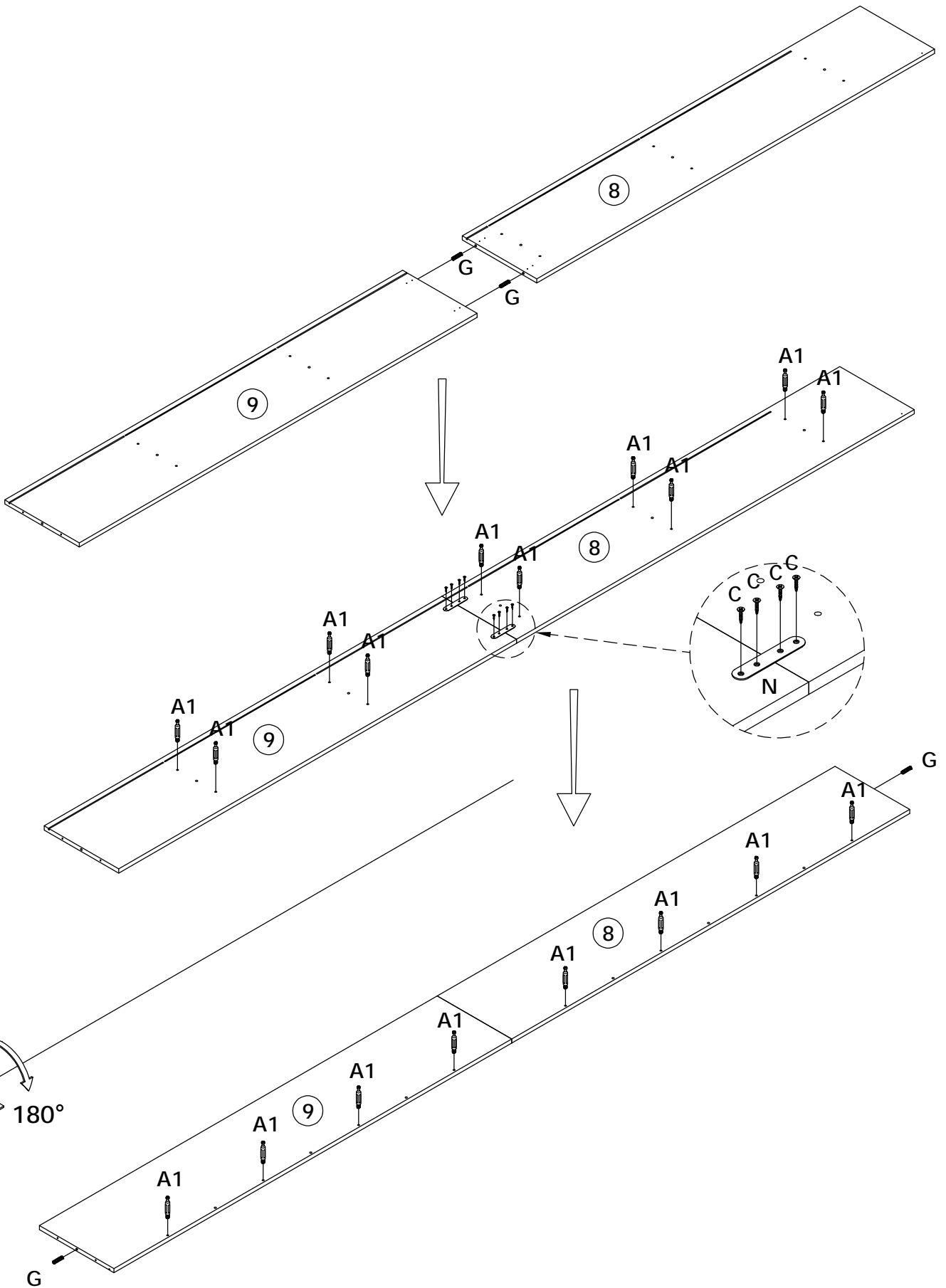
C

3.5 x 12MM

8PCS

N

2PCS



8

G



6x30MM

10PCS

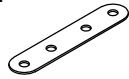
C



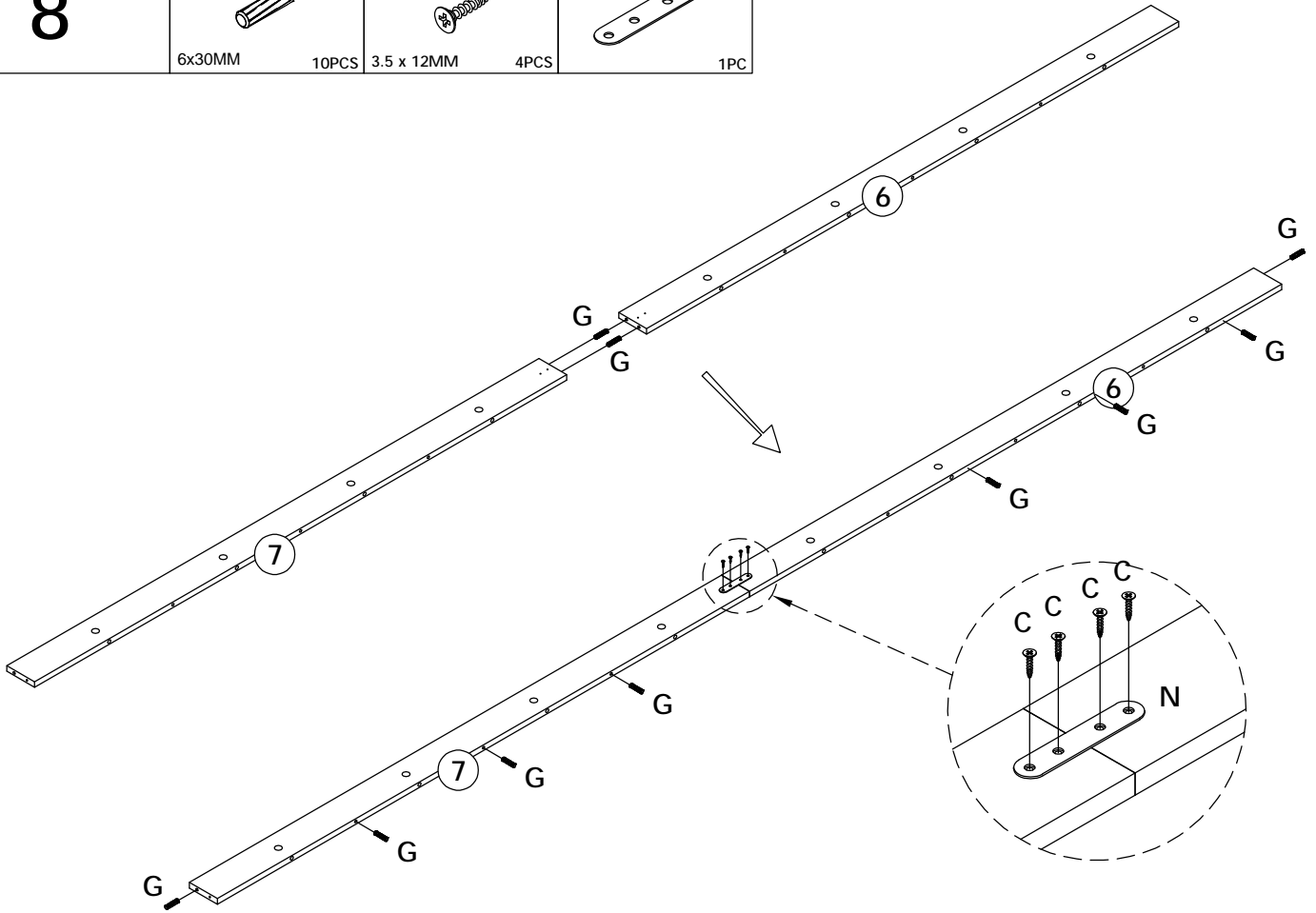
3.5 x 12MM

4PCS

N



1PC

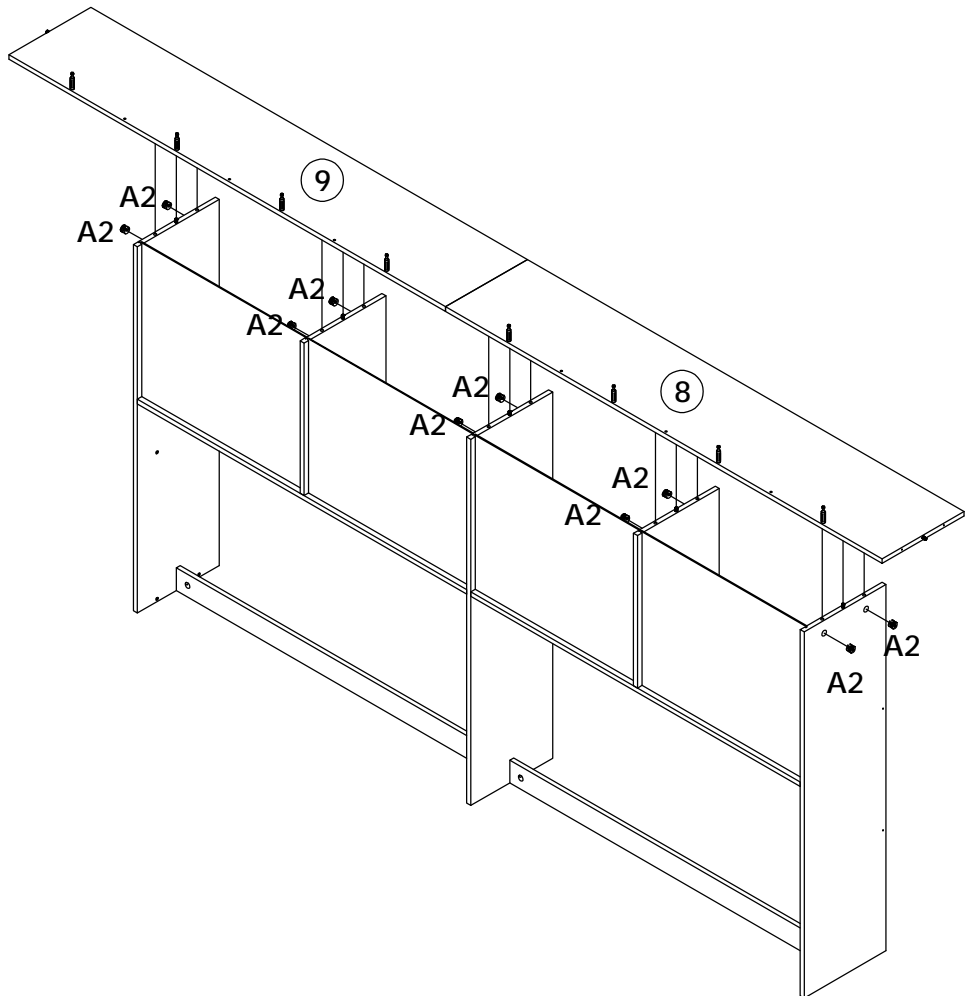


9

A2



10PCS



10

A2



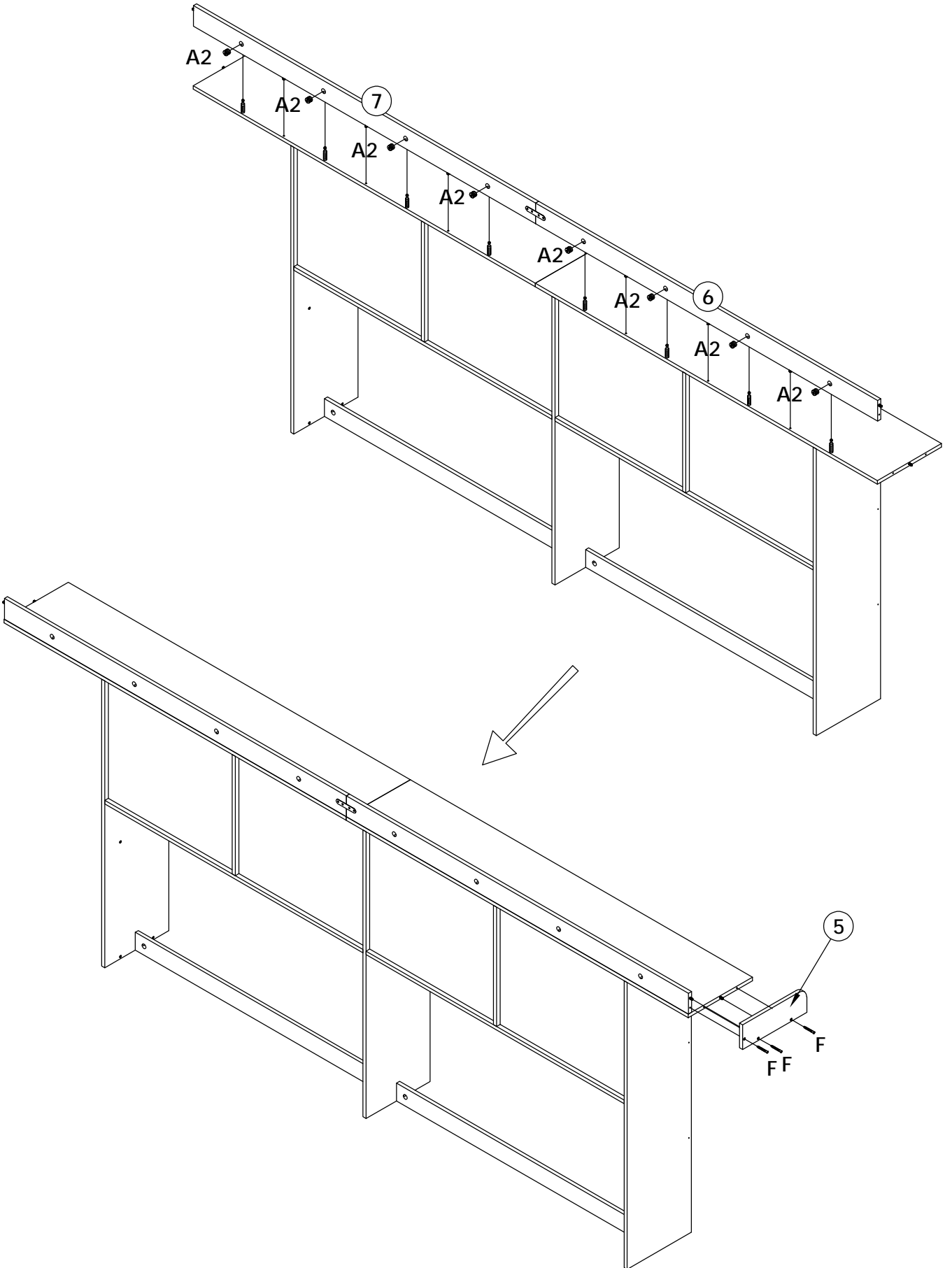
8PCS

F



M5x38MM

3PCS



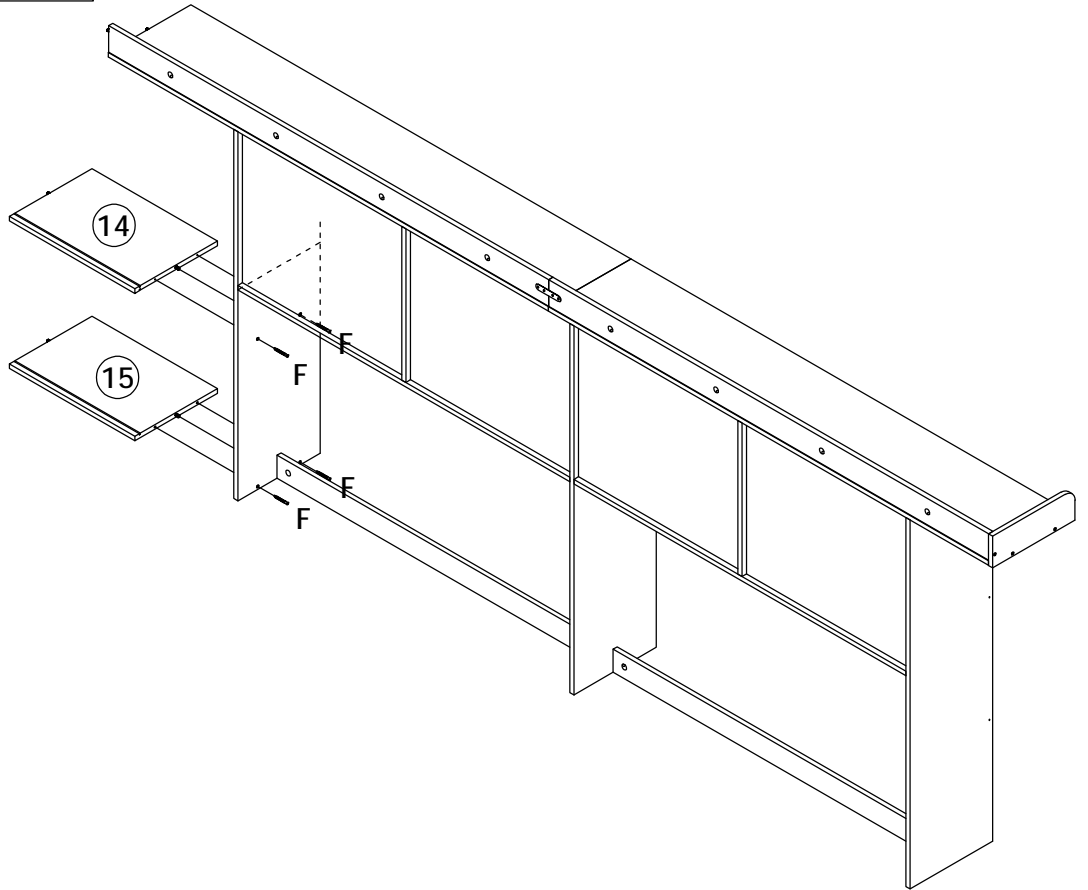
11

F

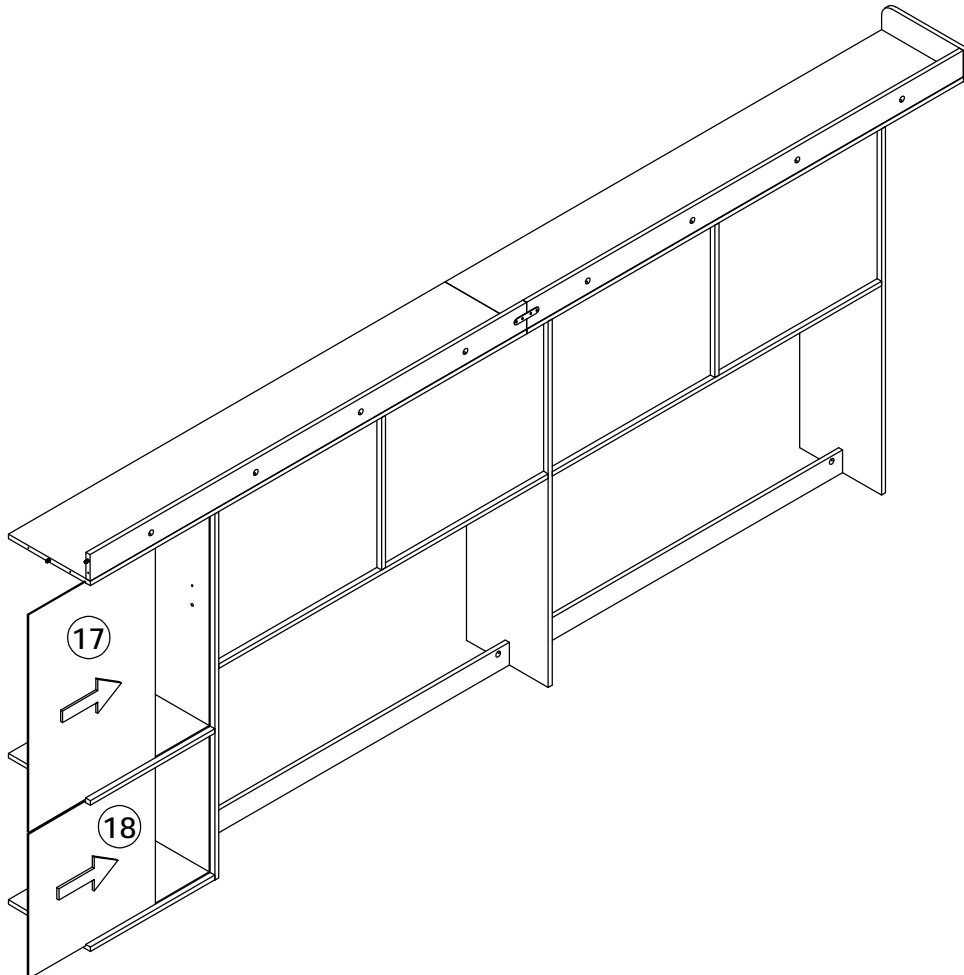


M5x38MM

4PCS



12

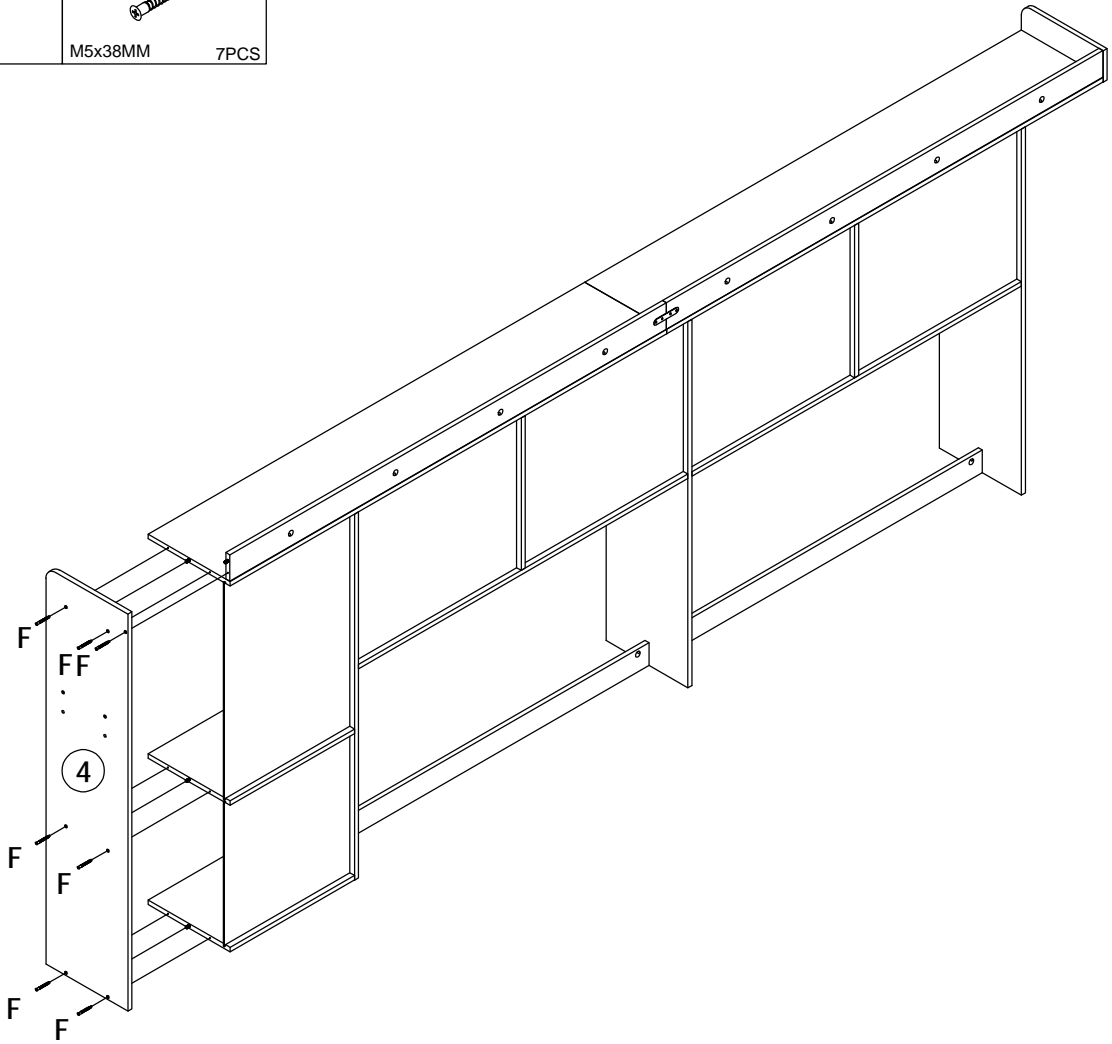


13

F

M5x38MM

7PCS

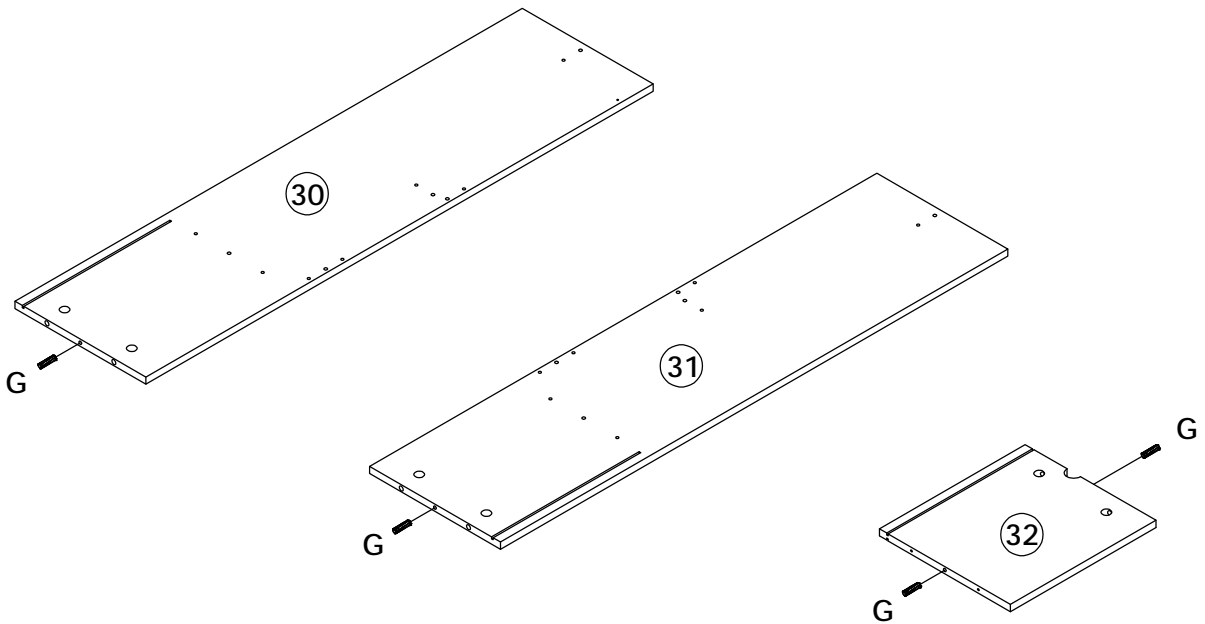


14

G

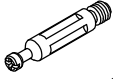
6x30MM

4PCS



15

A1



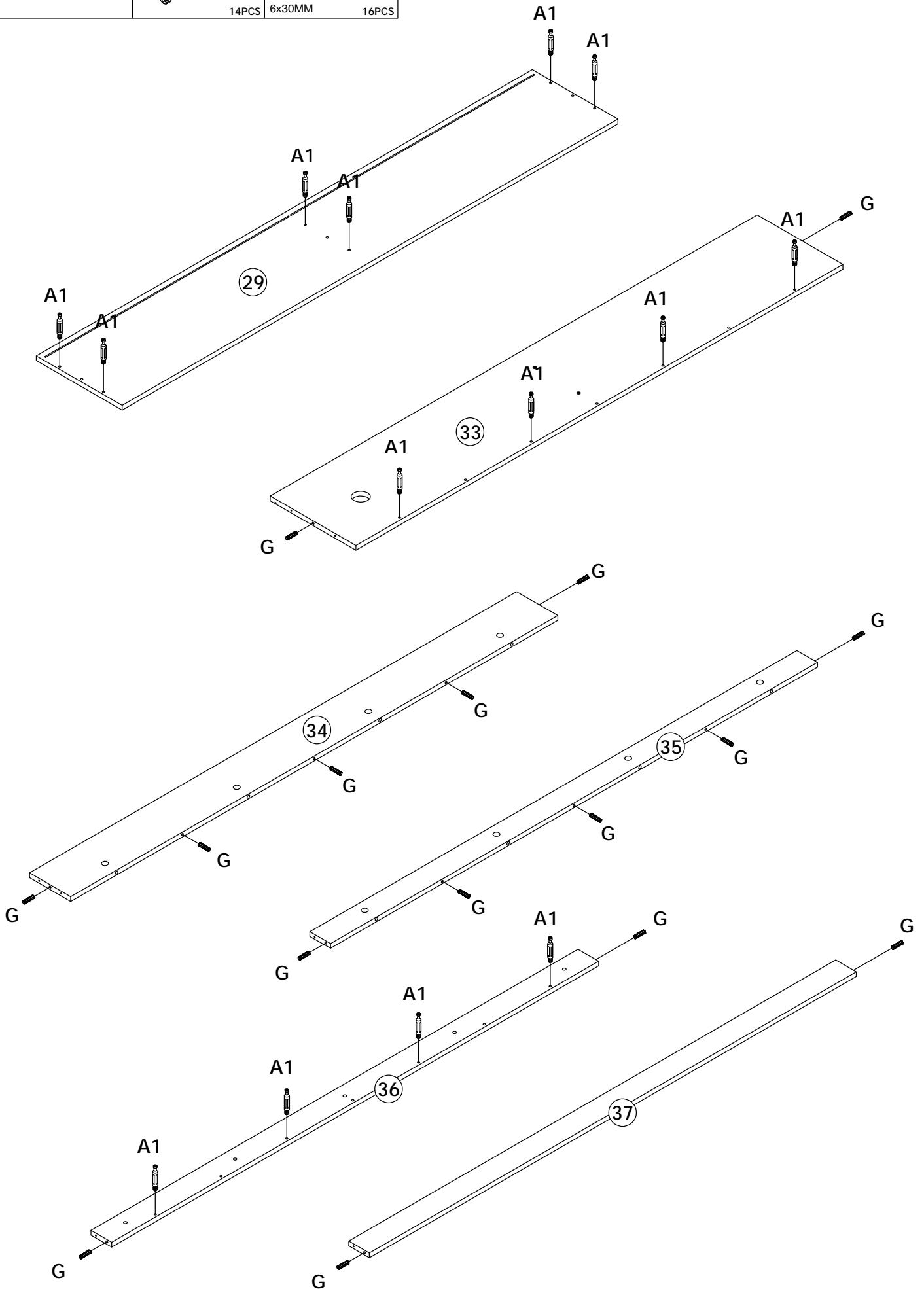
14PCS

G



6x30MM

16PCS



16

A2



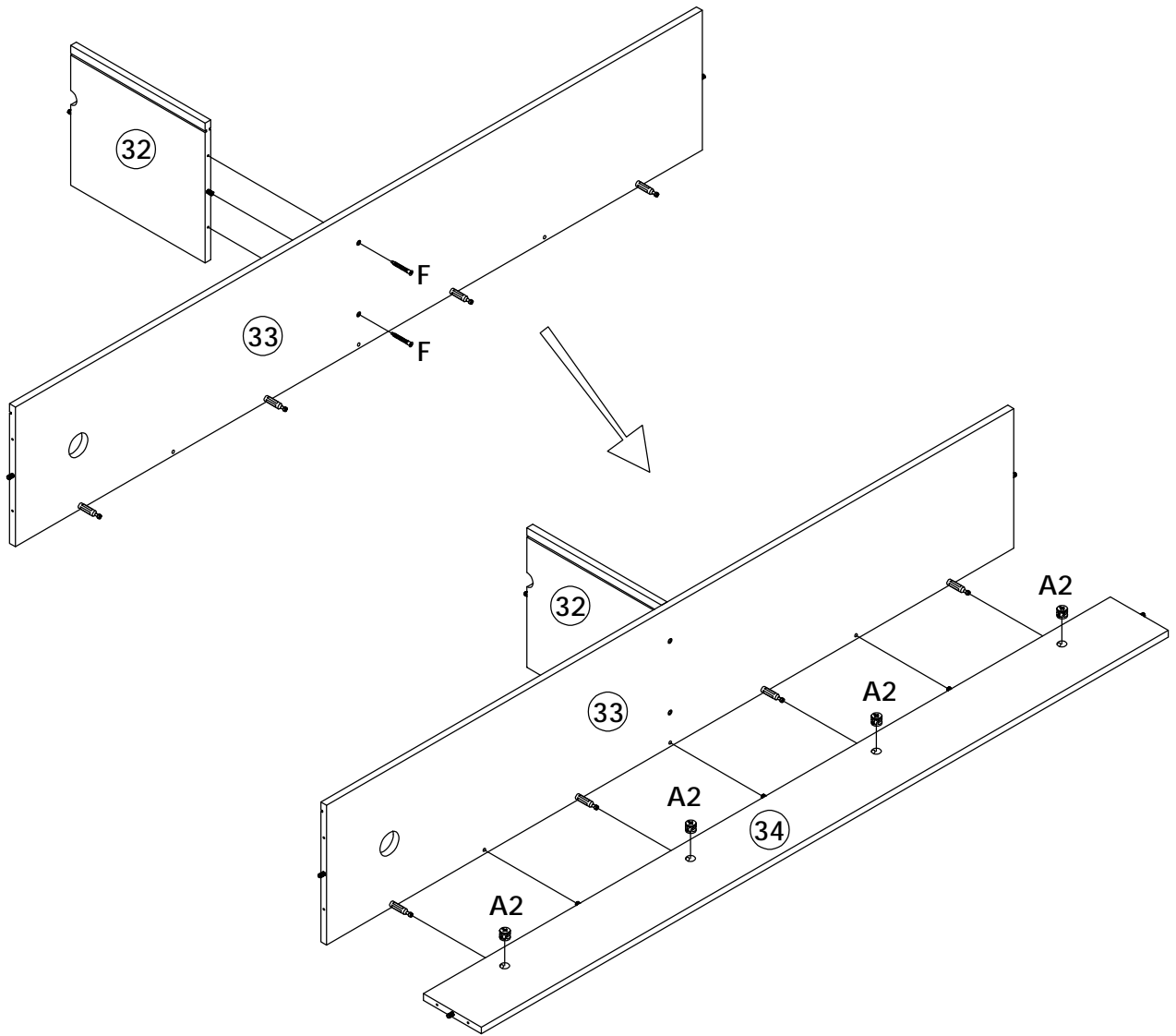
4PCS

F



M5x38MM

2PCS

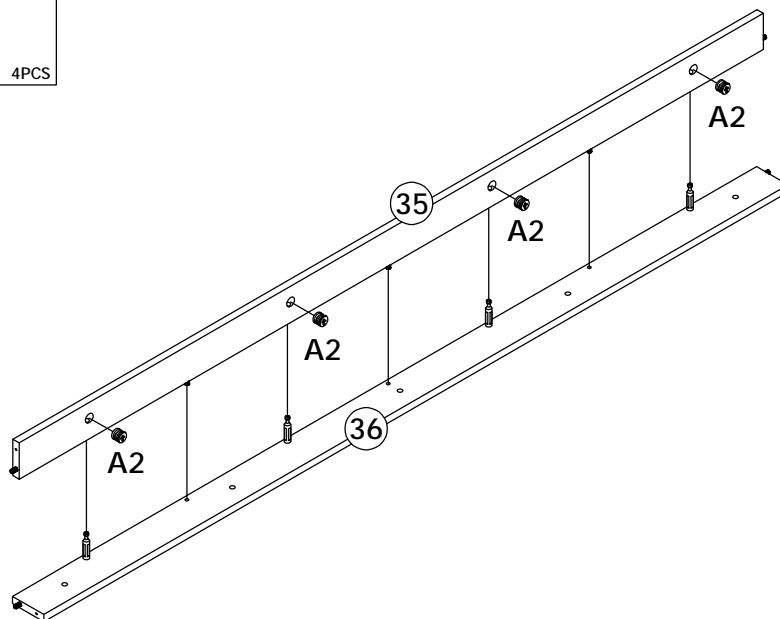


17

A2



4PCS



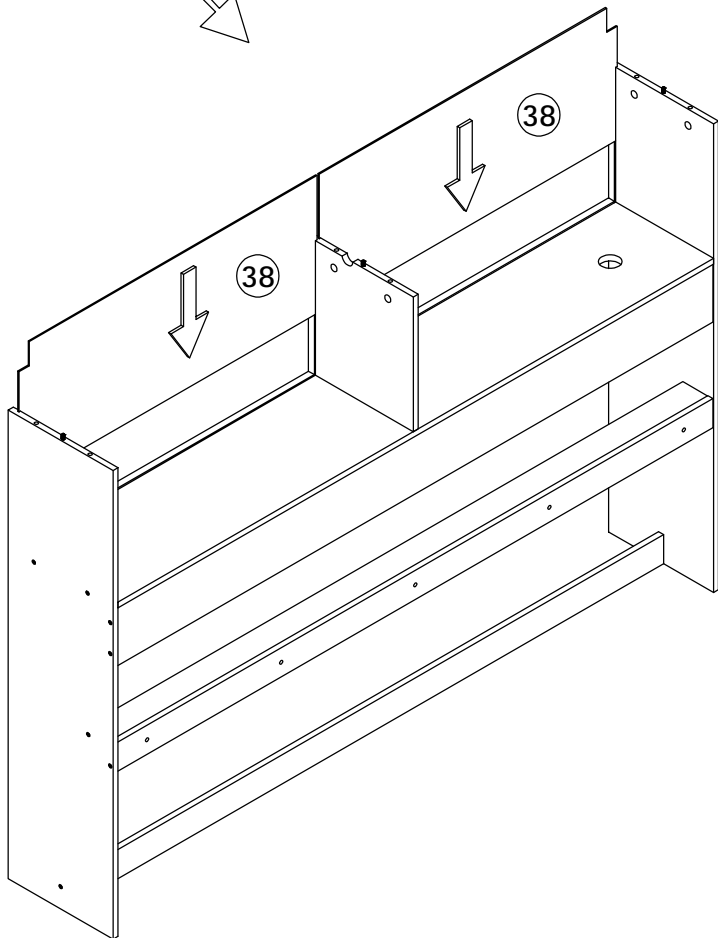
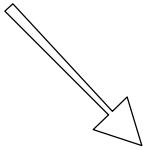
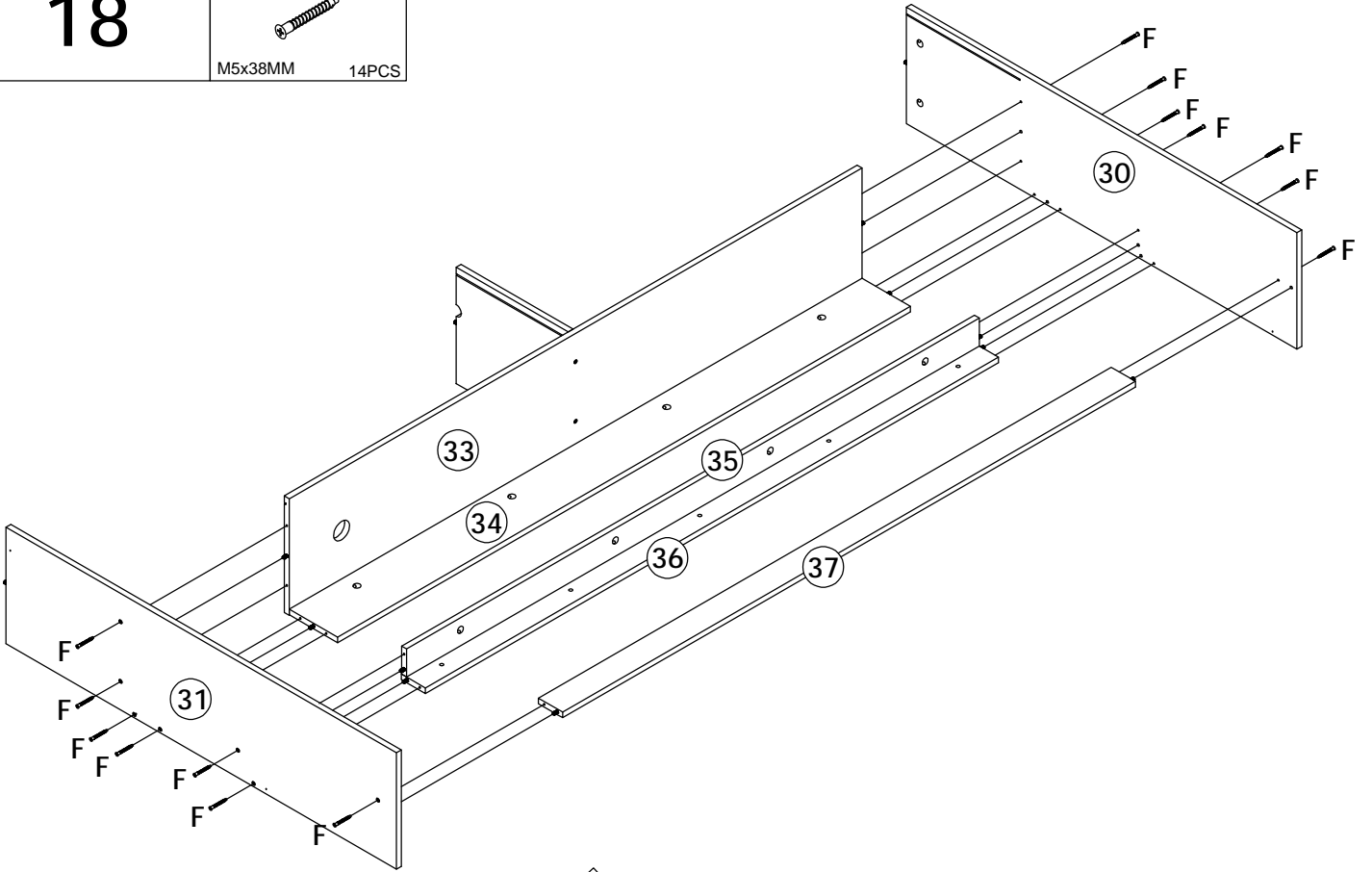
18

F



M5x38MM

14PCS



19

A2



6PCS

R

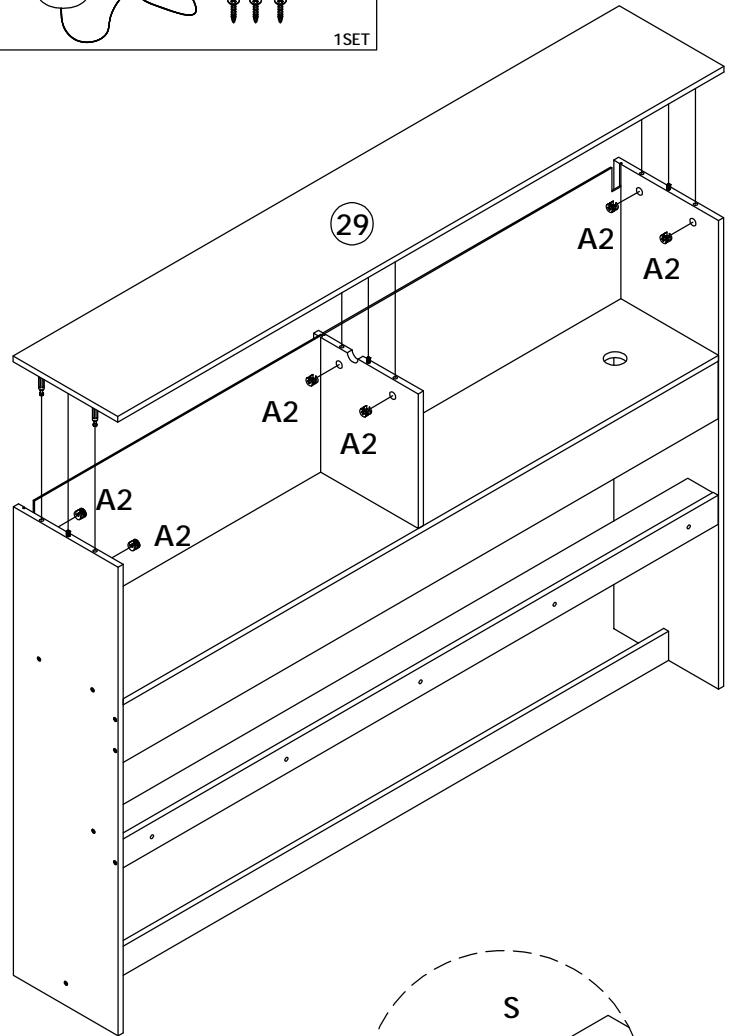


1SET

S



1SET



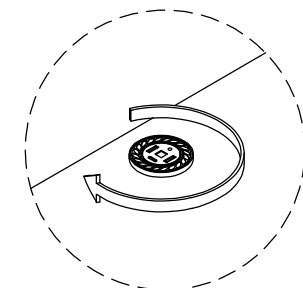
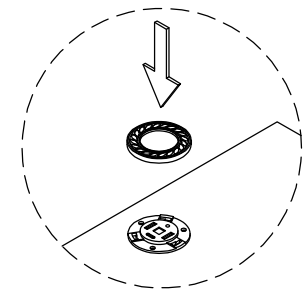
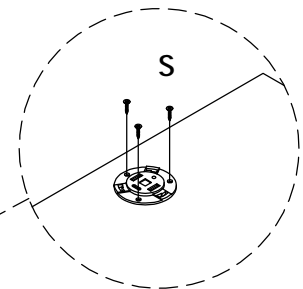
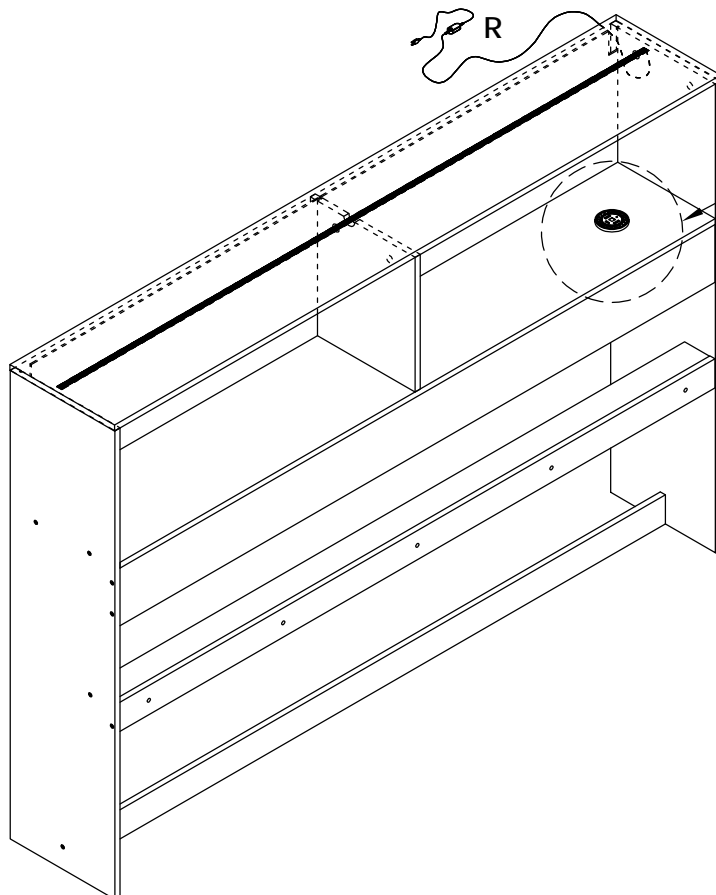
EN:Scan to download App control the Led light.

DE:Scannen, um die App zum Steuern des LED-Lichts herunterzuladen

FR:Scanner pour télécharger App contrôler la lumière Led.

ES:Analice para descargar la aplicación control de la luz Led.

IT:Scansiona per scaricare l' applicazione controlla la luce Led.



20

C

3.5 x 12MM

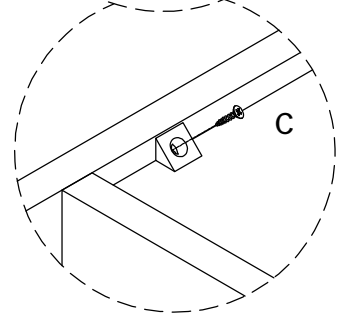
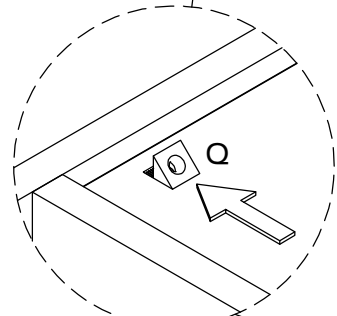
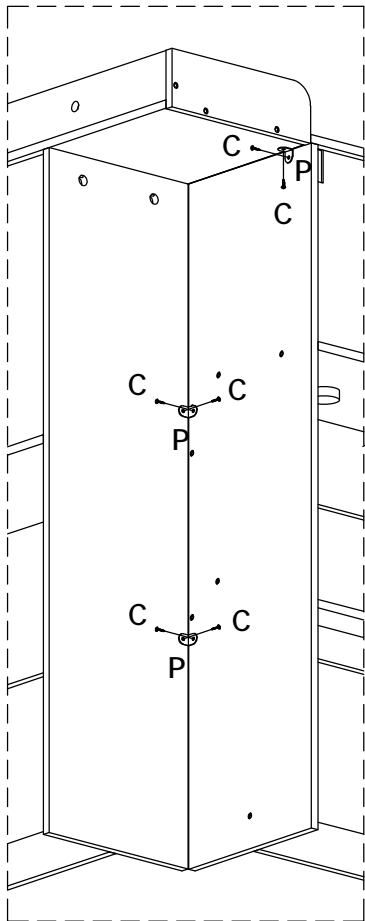
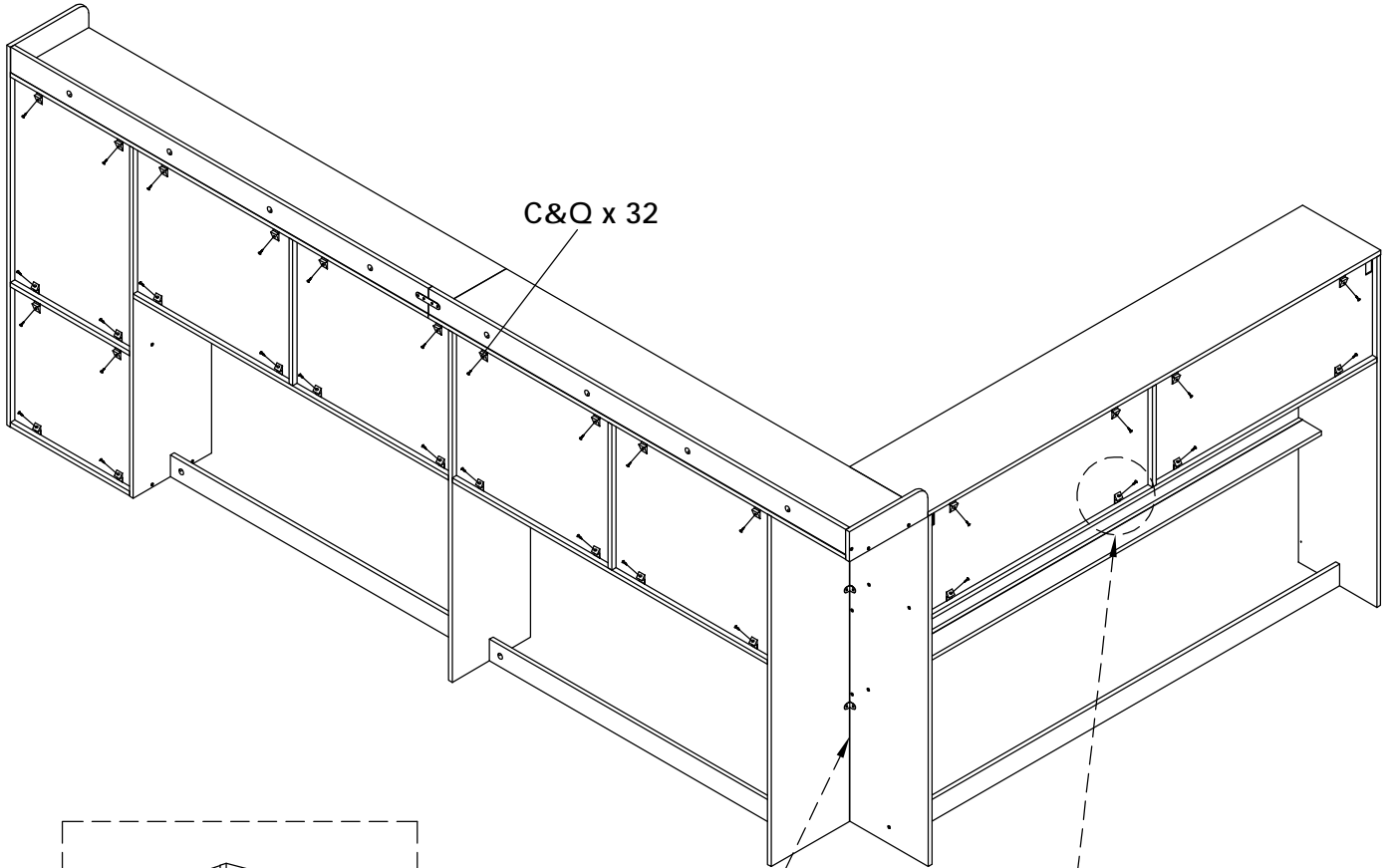
38PCS

P

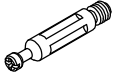
3PCS

Q

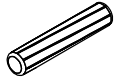
32PCS



21

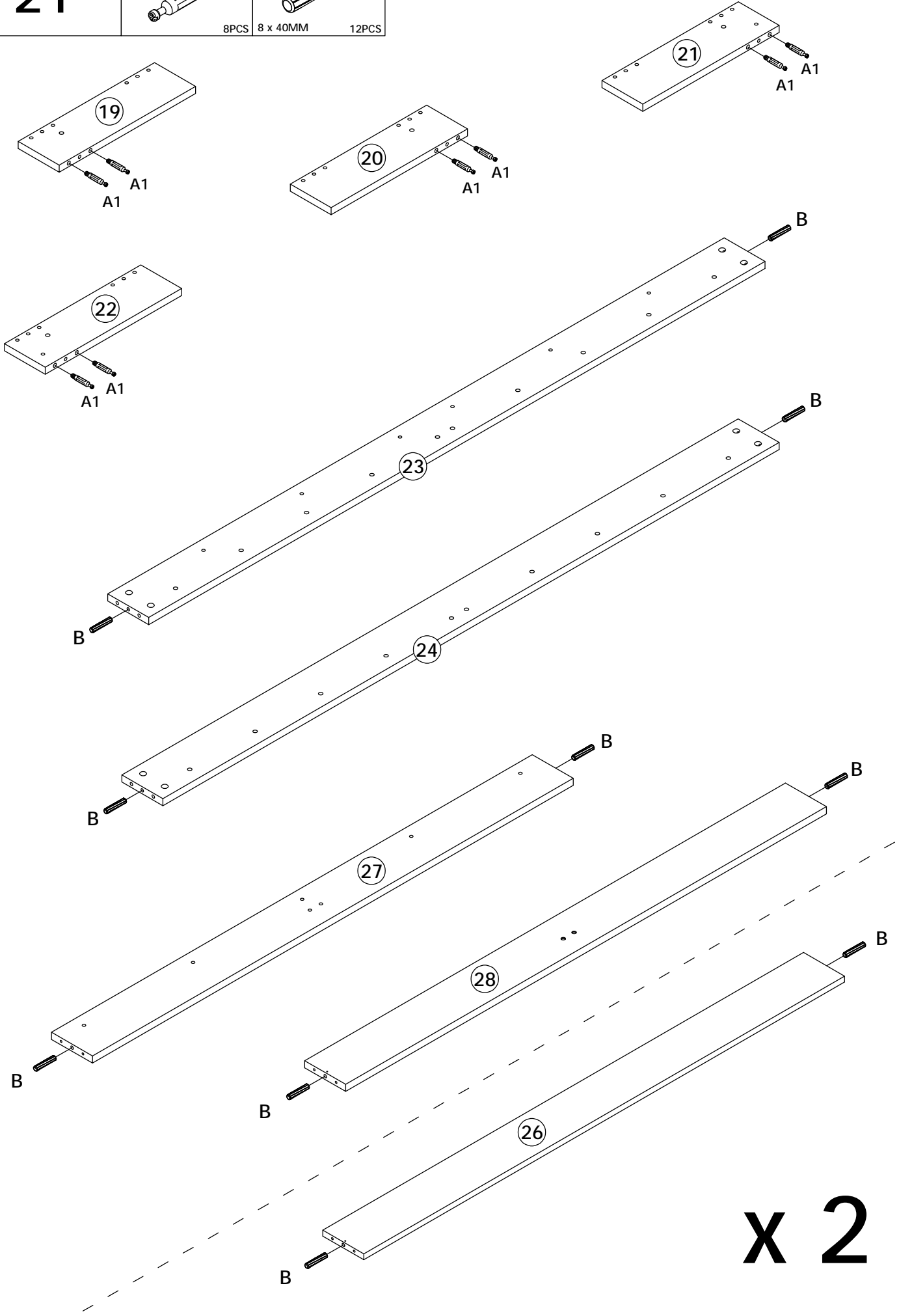
A1

8PCS

B

8 x 40MM

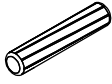
12PCS



x 2

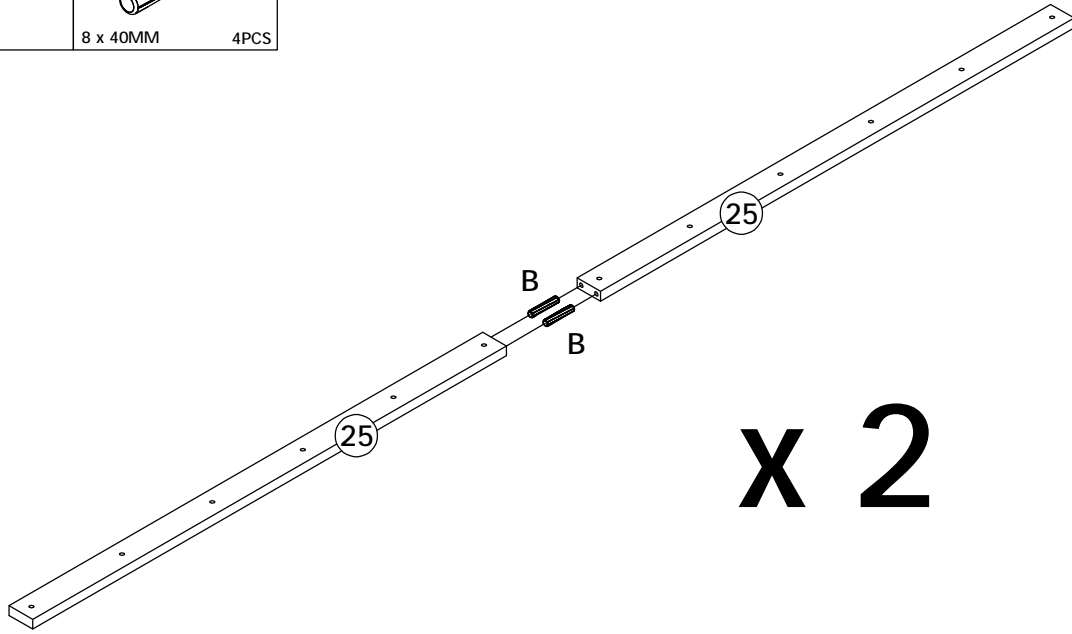
22

B



8 x 40MM

4PCS



x 2

23

A2



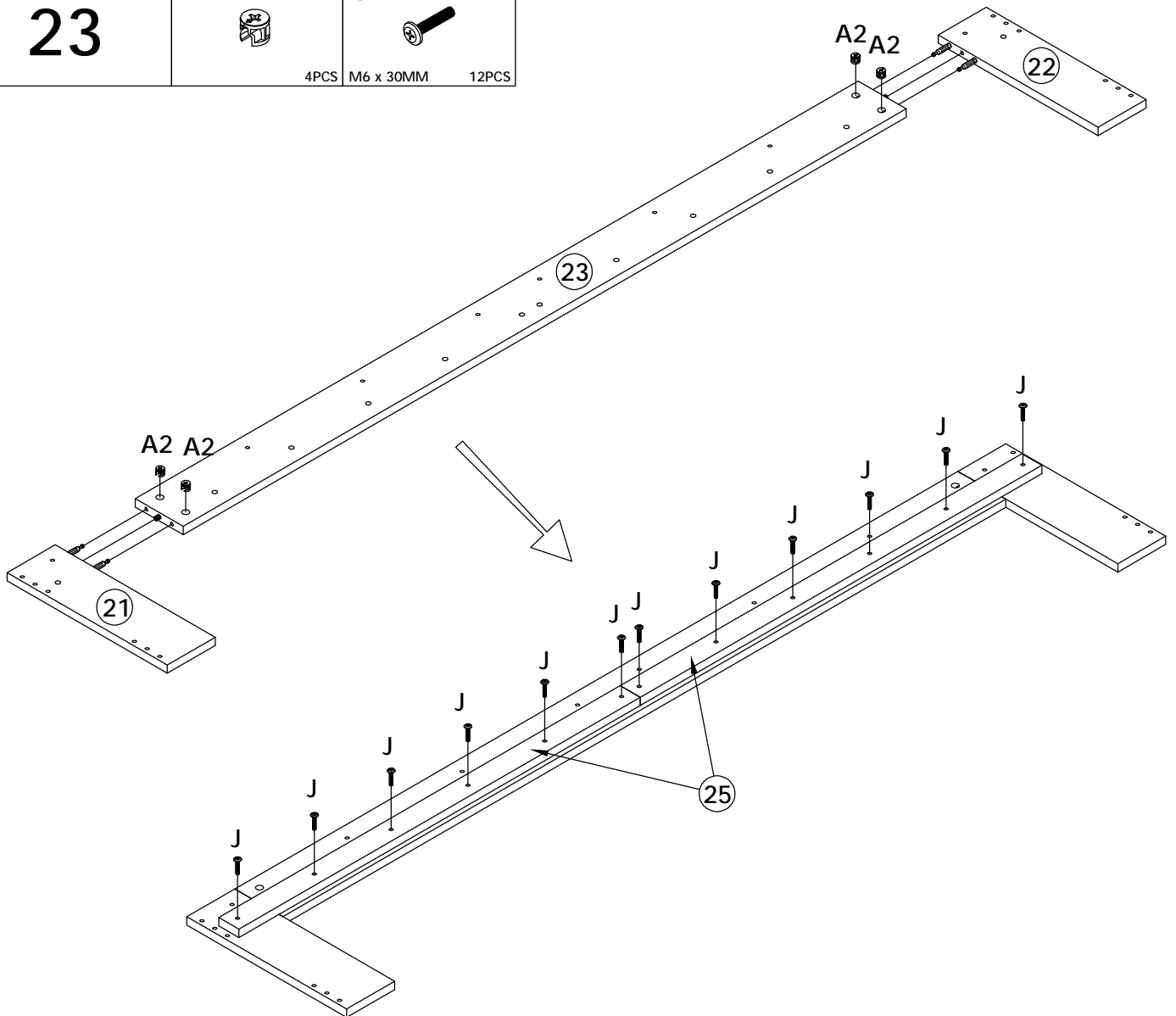
4PCS

J



M6 x 30MM

12PCS



24

A2



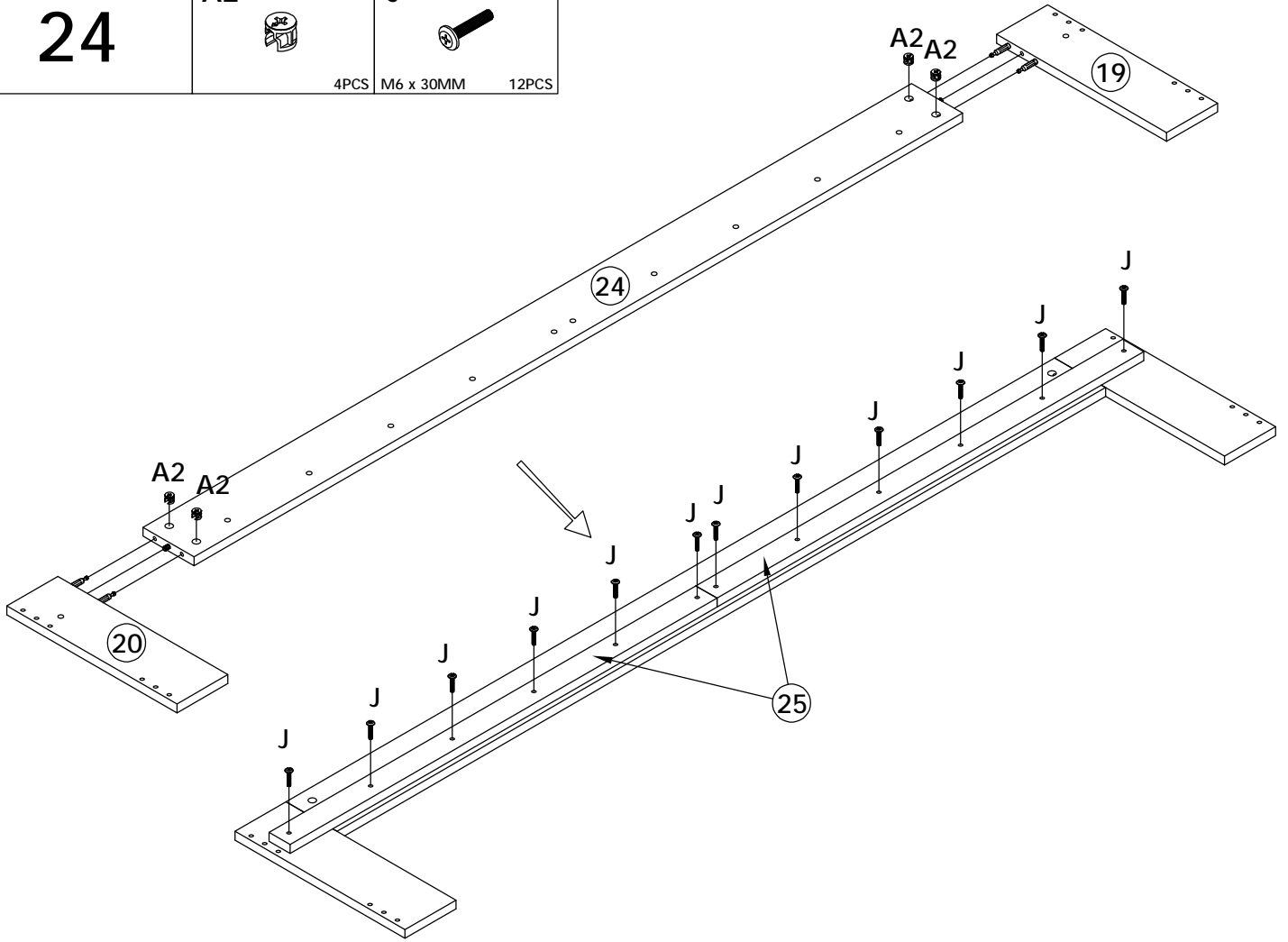
4PCS

J



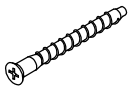
M6 x 30MM

12PCS



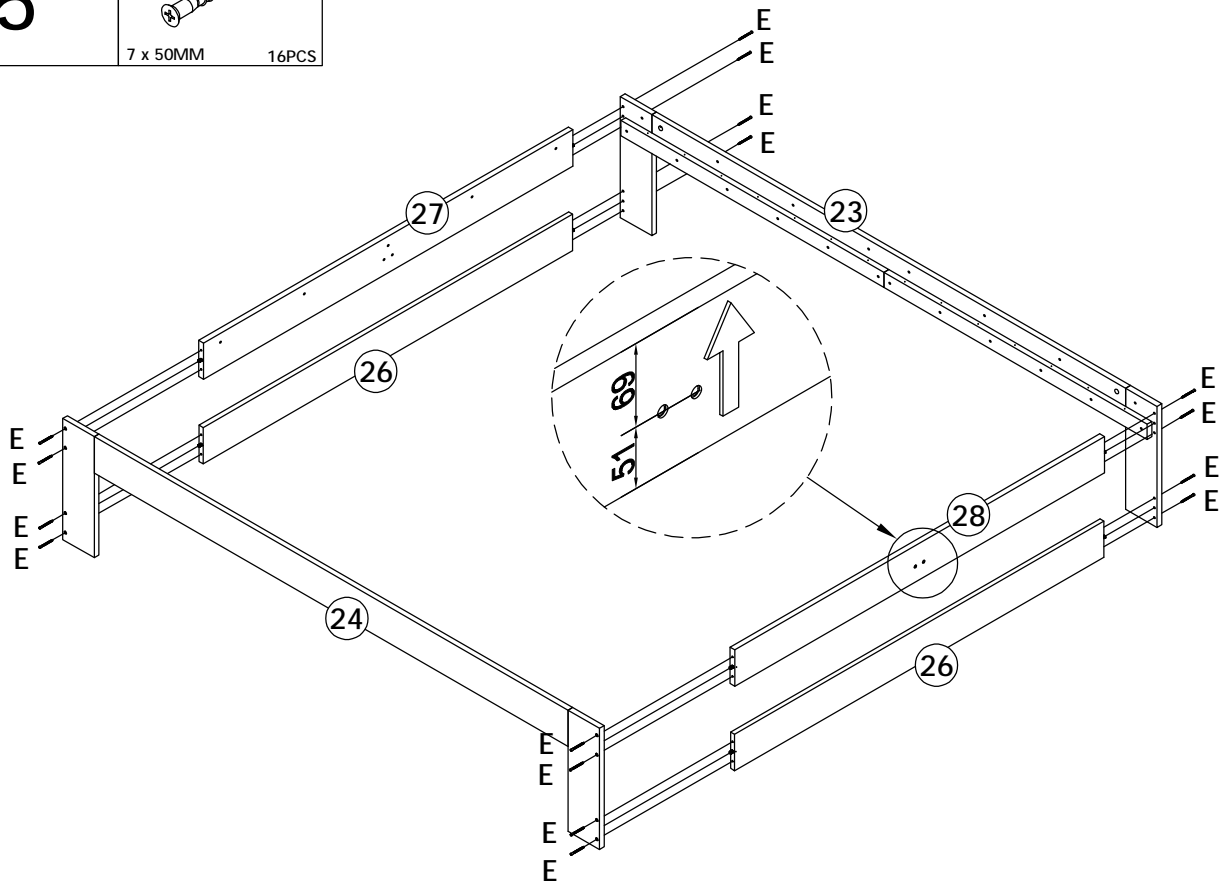
25

E

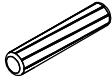


7 x 50MM

16PCS



26

B

8 x 40MM

2PCS

C

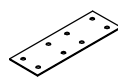
3.5 x 12MM

8PCS

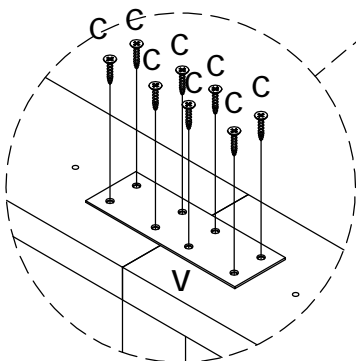
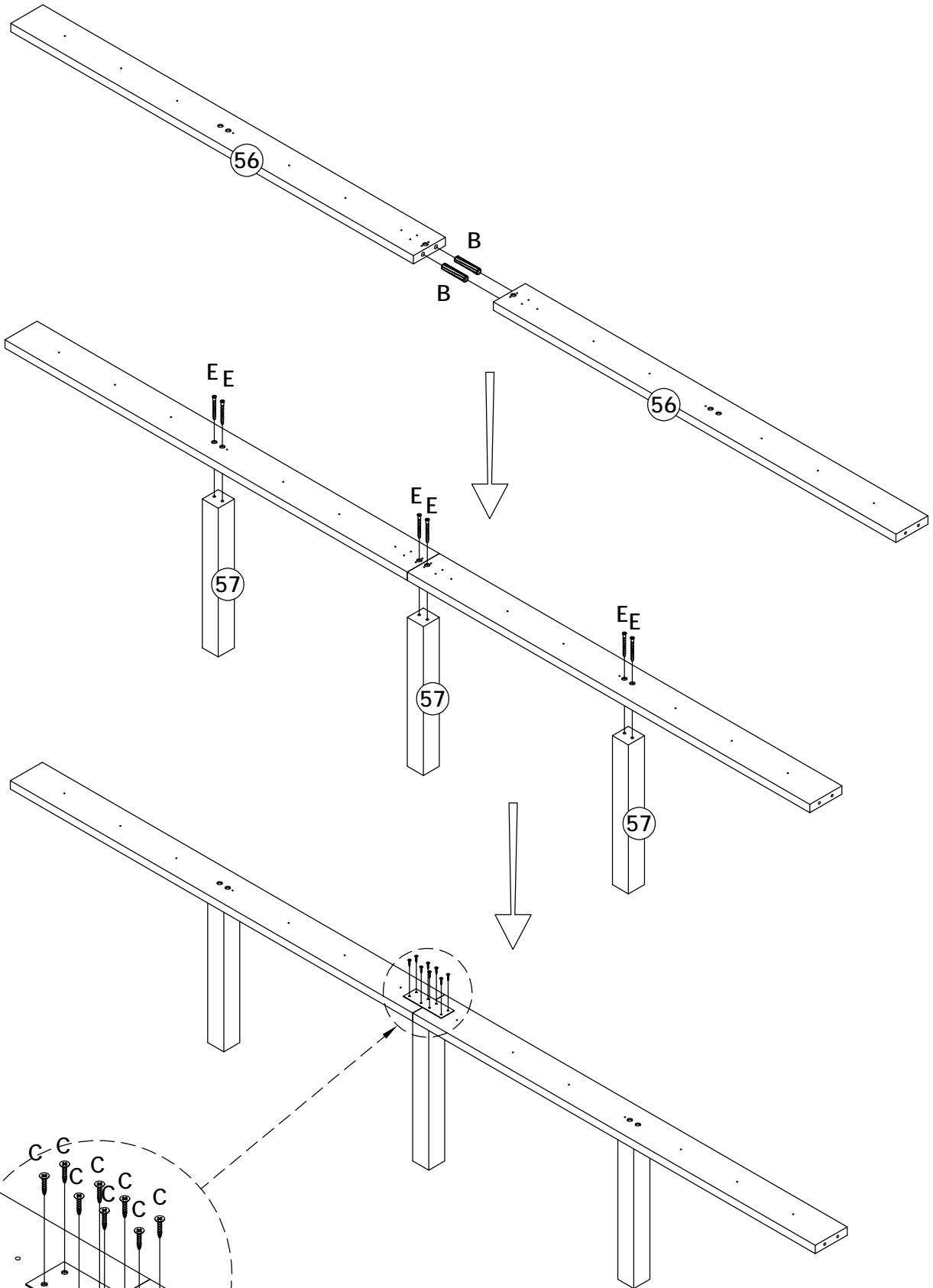
E

7 x 50MM

6PCS

V

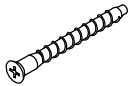
1PC



27

C

3.5 x 12MM

E

7 x 50MM

H

M6 x 15MM

K

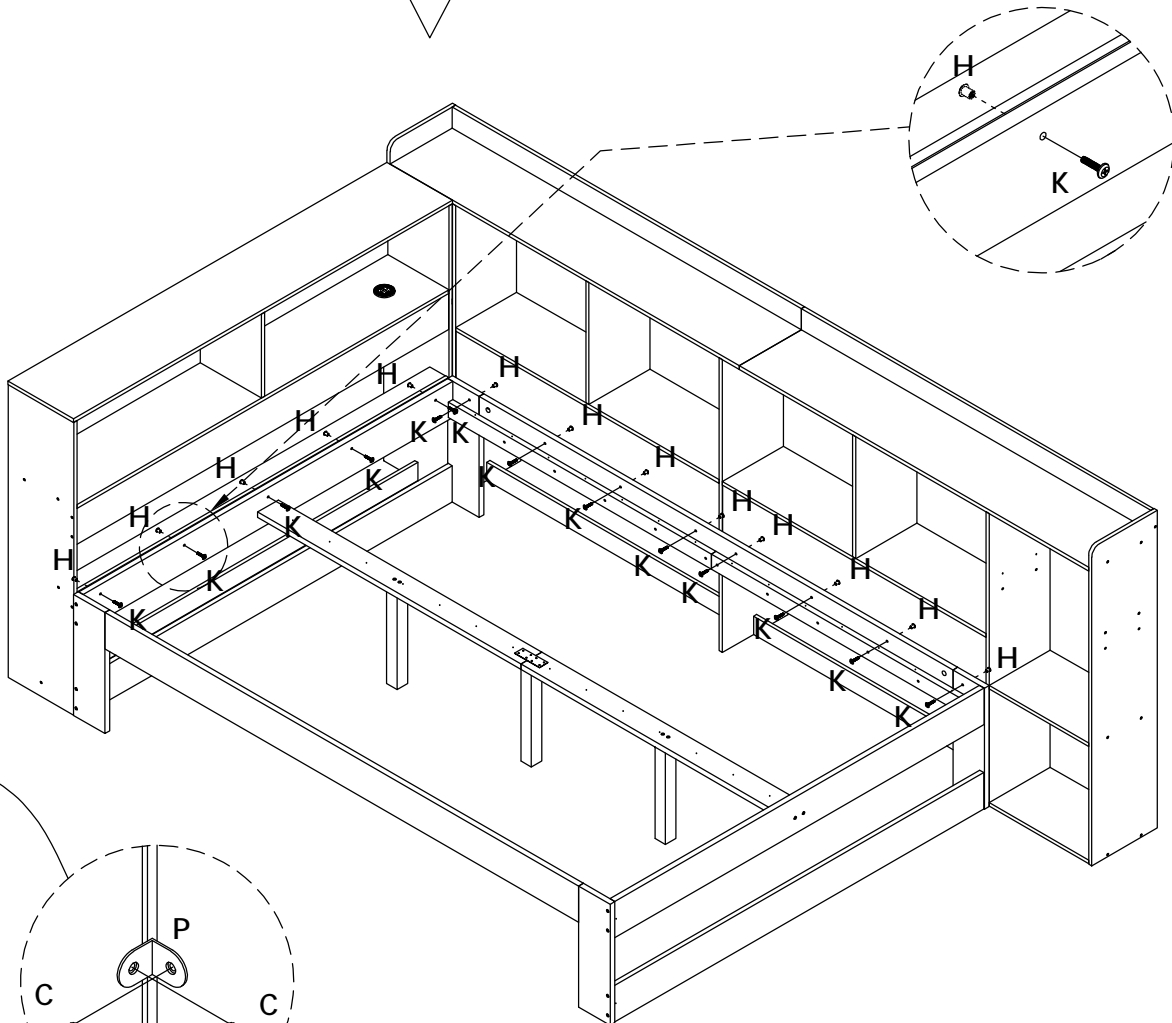
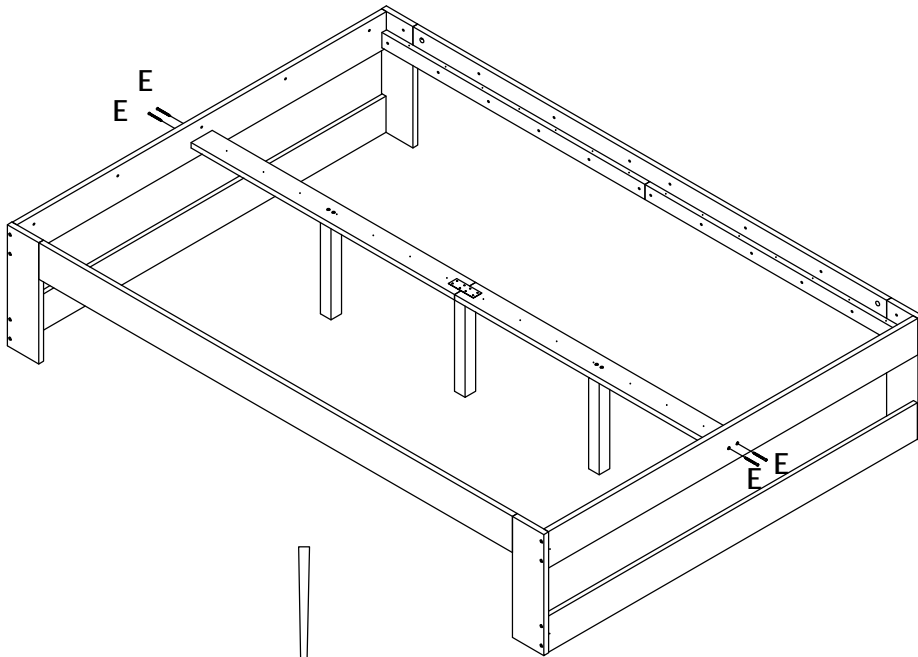
13PCS

M6 x 25MM

13PCS

P

1PC



28

D



3.5 x 30MM

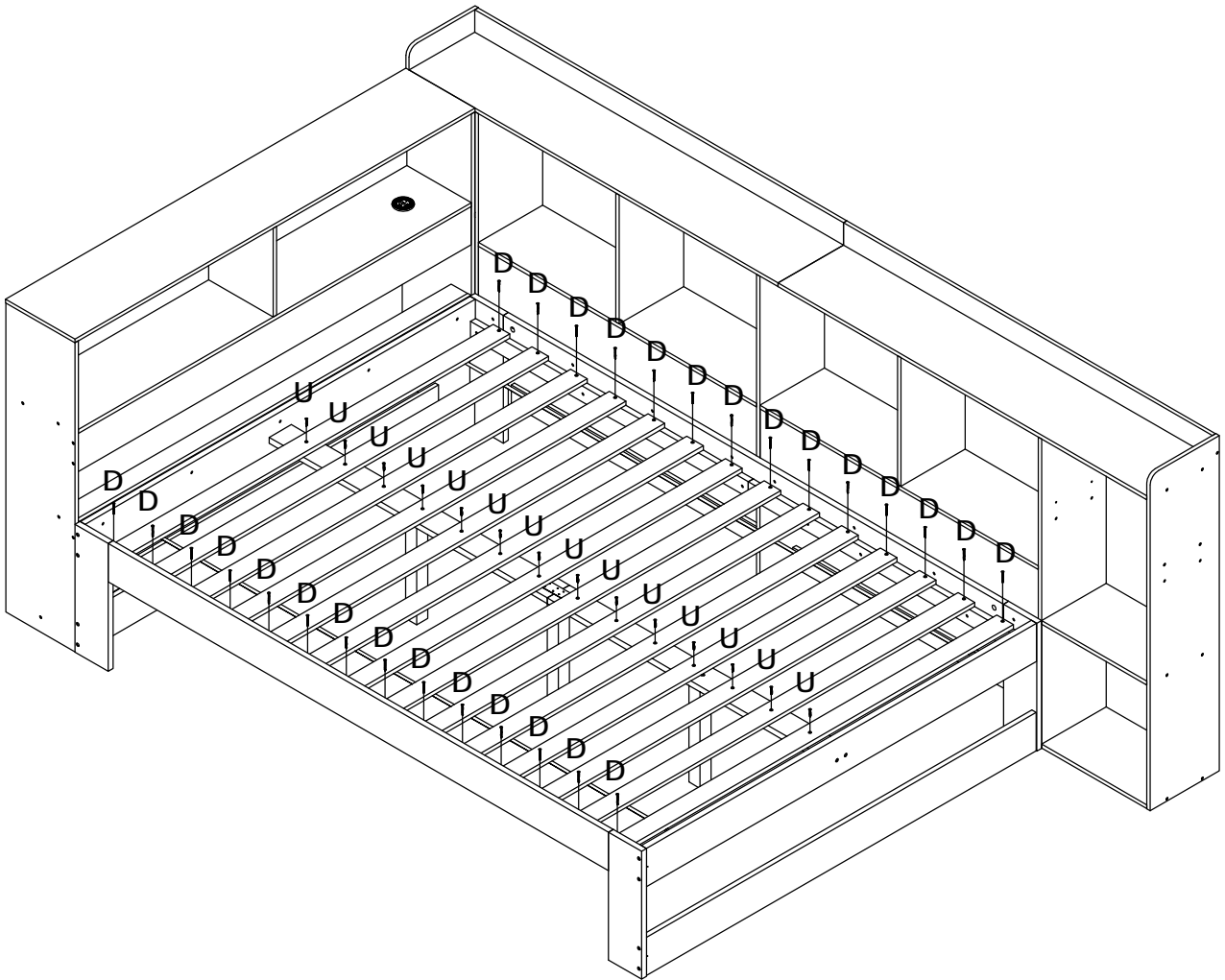
28PCS

U



3.5 x 20MM

14PCS



29

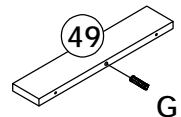
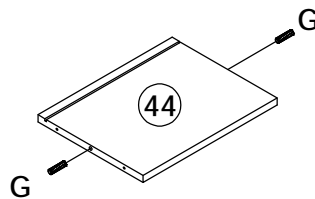
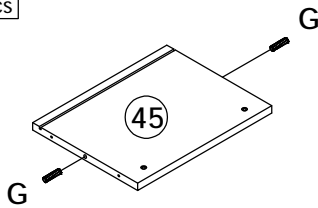
G



6x30MM

10PCS

x 2



30

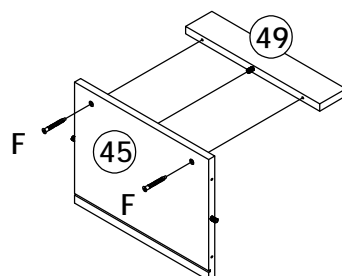
F



M5x38MM

4PCS

x 2



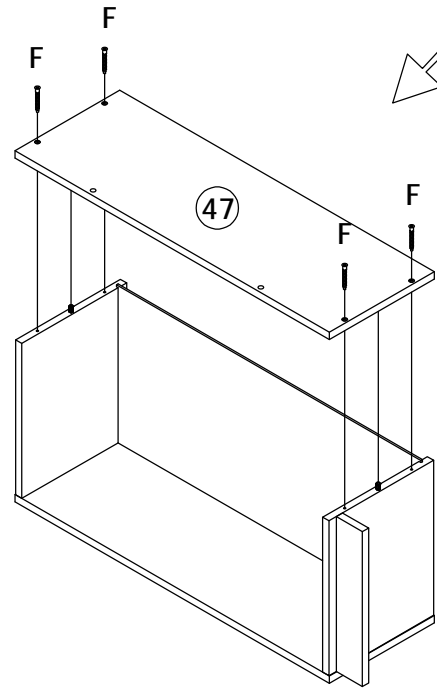
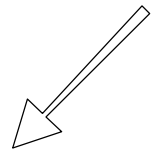
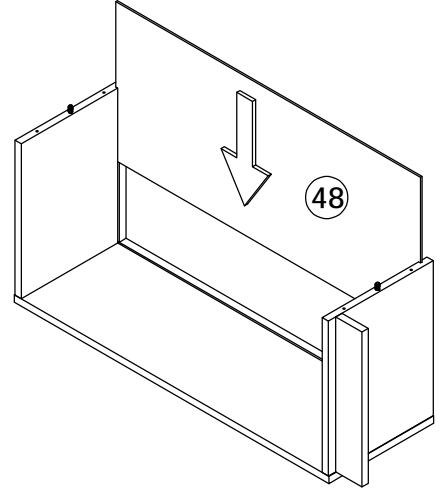
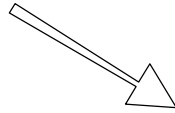
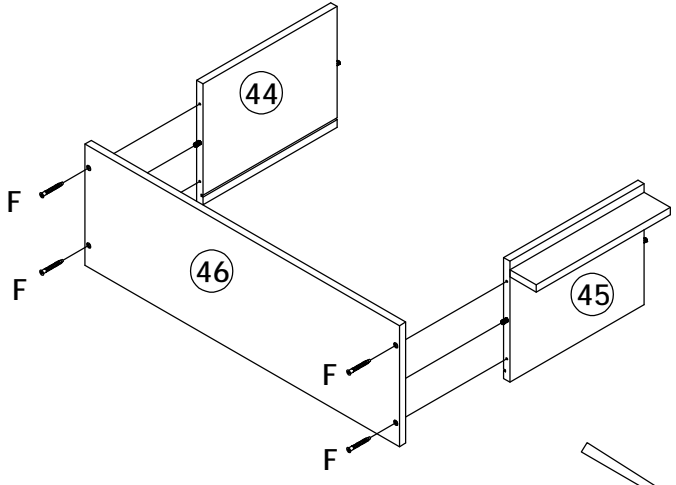
31

F



M5x38MM

8PCS



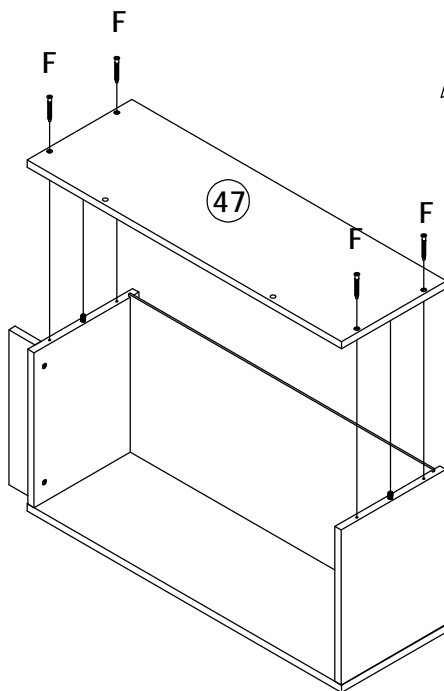
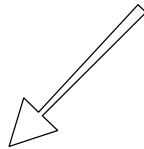
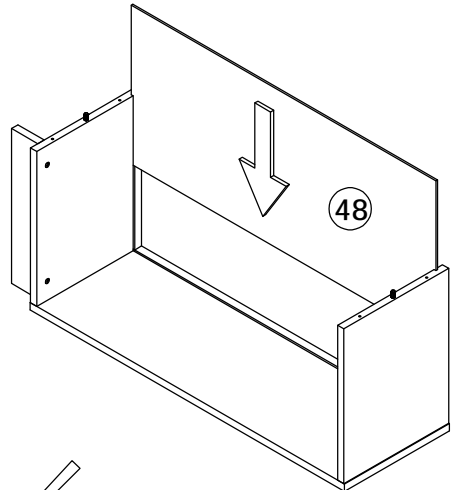
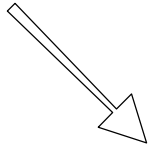
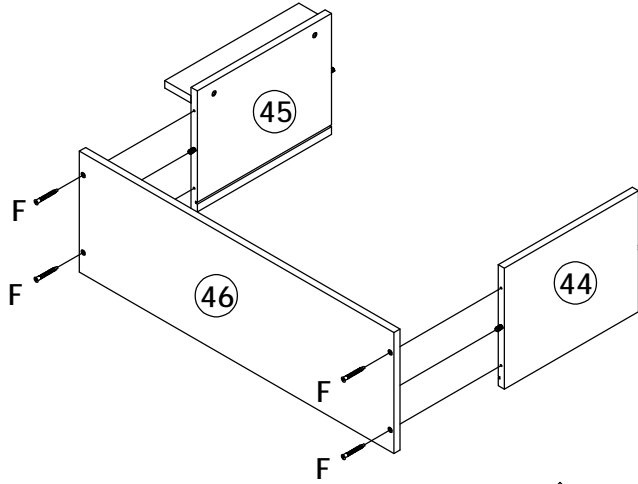
32

F



M5x38MM

8PCS

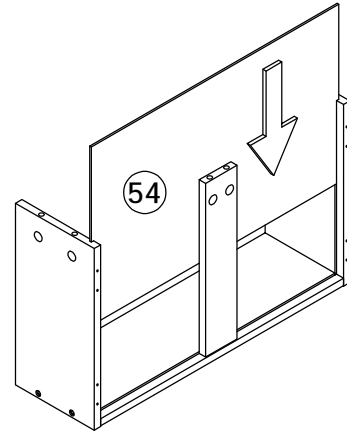
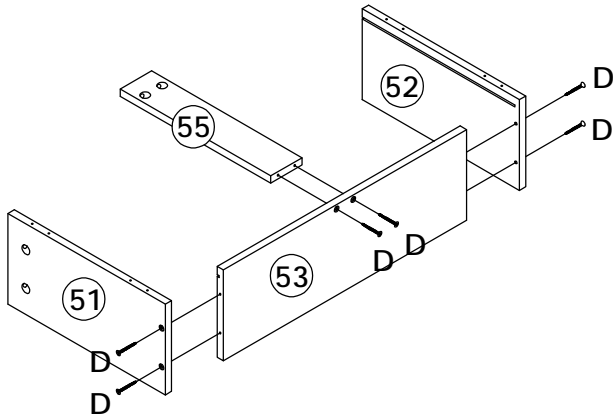


33

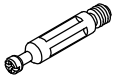
D

3.5 x 30MM

6PCS



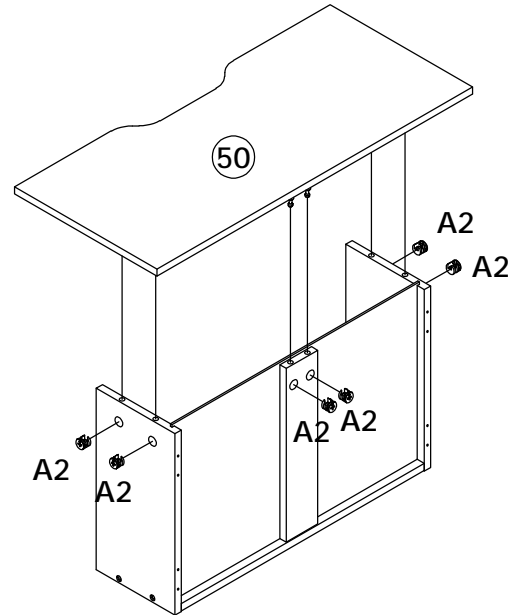
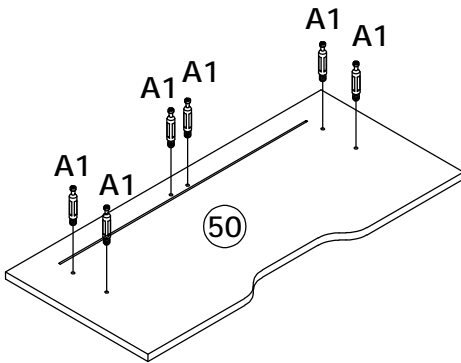
34

A1

6PCS

A2

6PCS



35

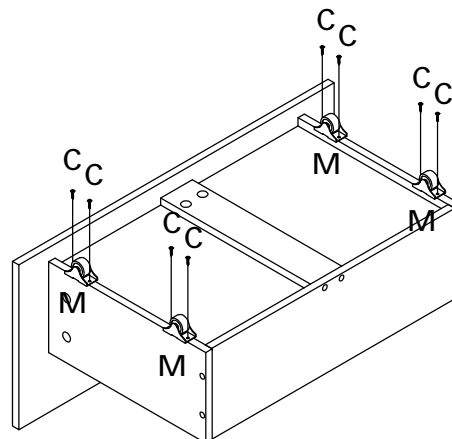
C

3.5 x 12MM

8PCS

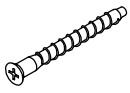
M

4PCS



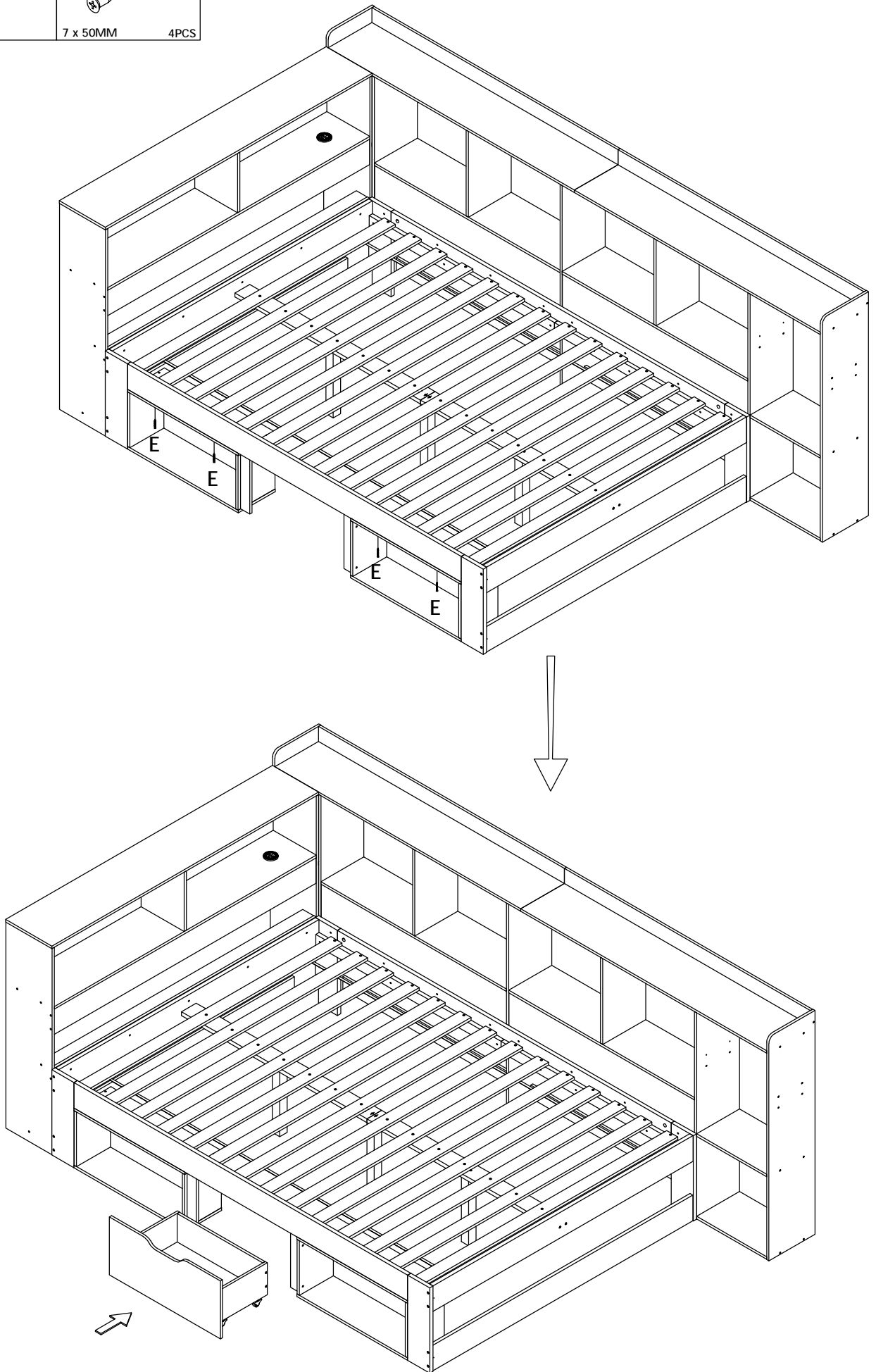
36

E



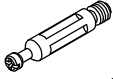
7 x 50MM

4PCS



37

A1



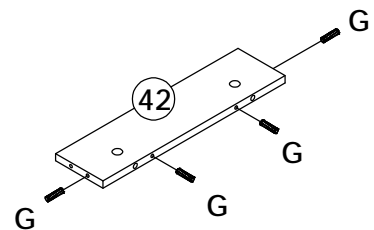
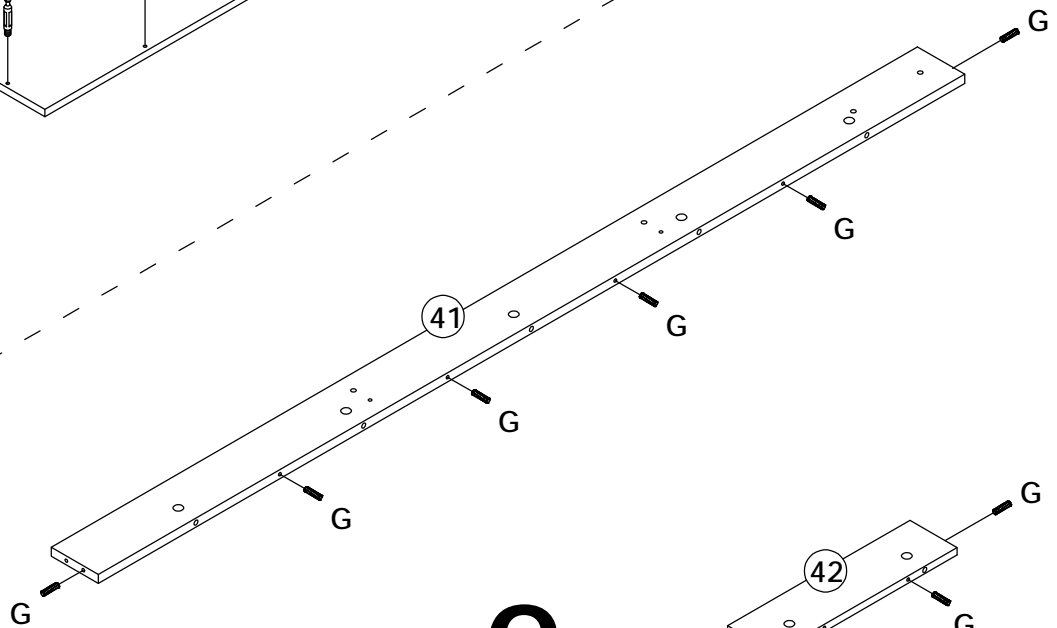
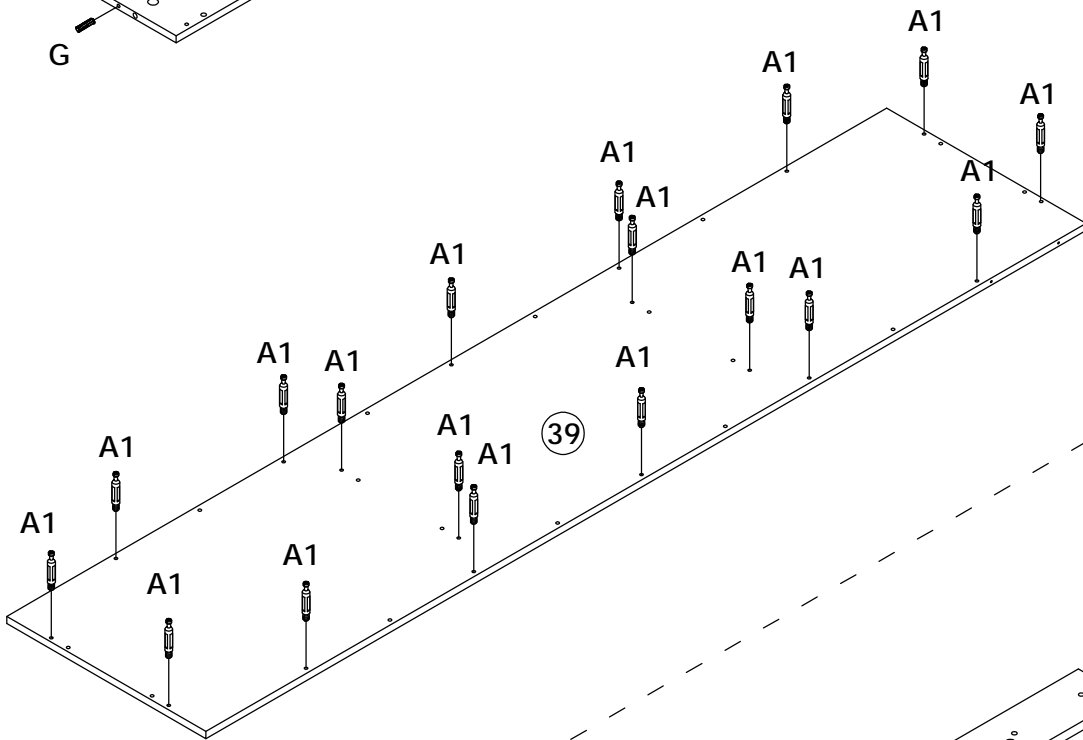
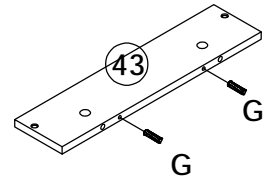
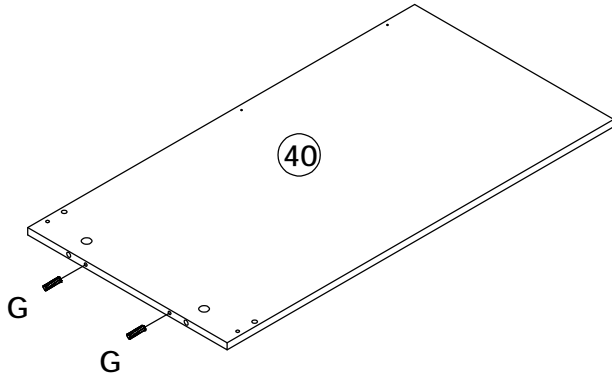
18PCS

G



6x30MM

24PCS



x 2

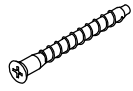
38

A2



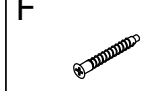
18PCS

E



7 x 50MM

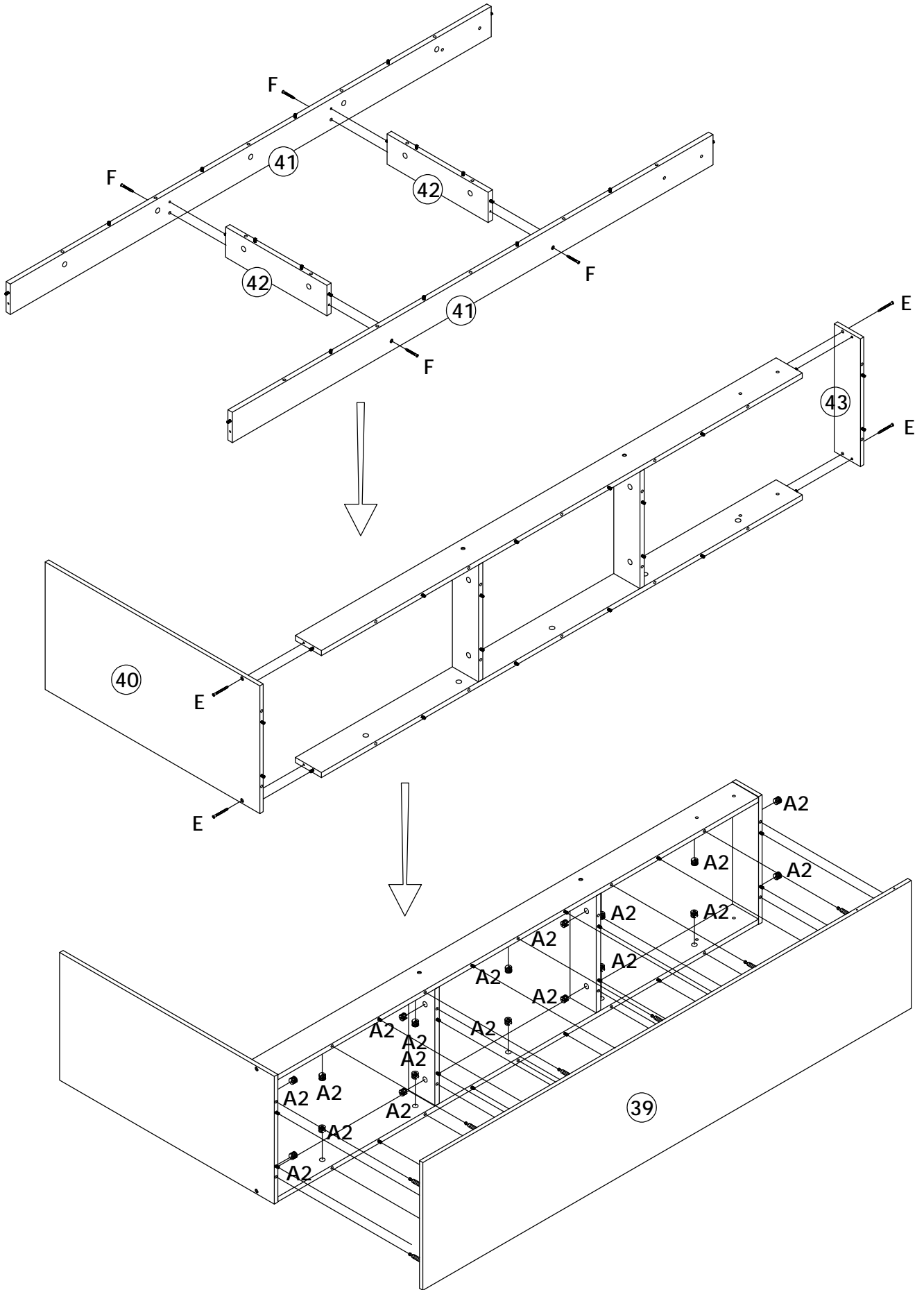
F



4PCS

M5x38MM

4PCS



39

C

3.5 x 12MM

4PCS

F

M5x38MM

4PCS

H

M6 x 15MM

4PCS

L

M6 x 20MM

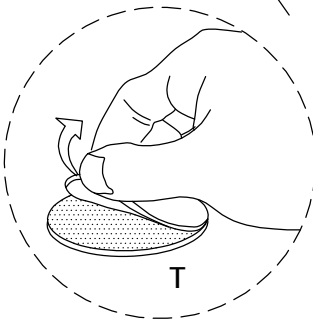
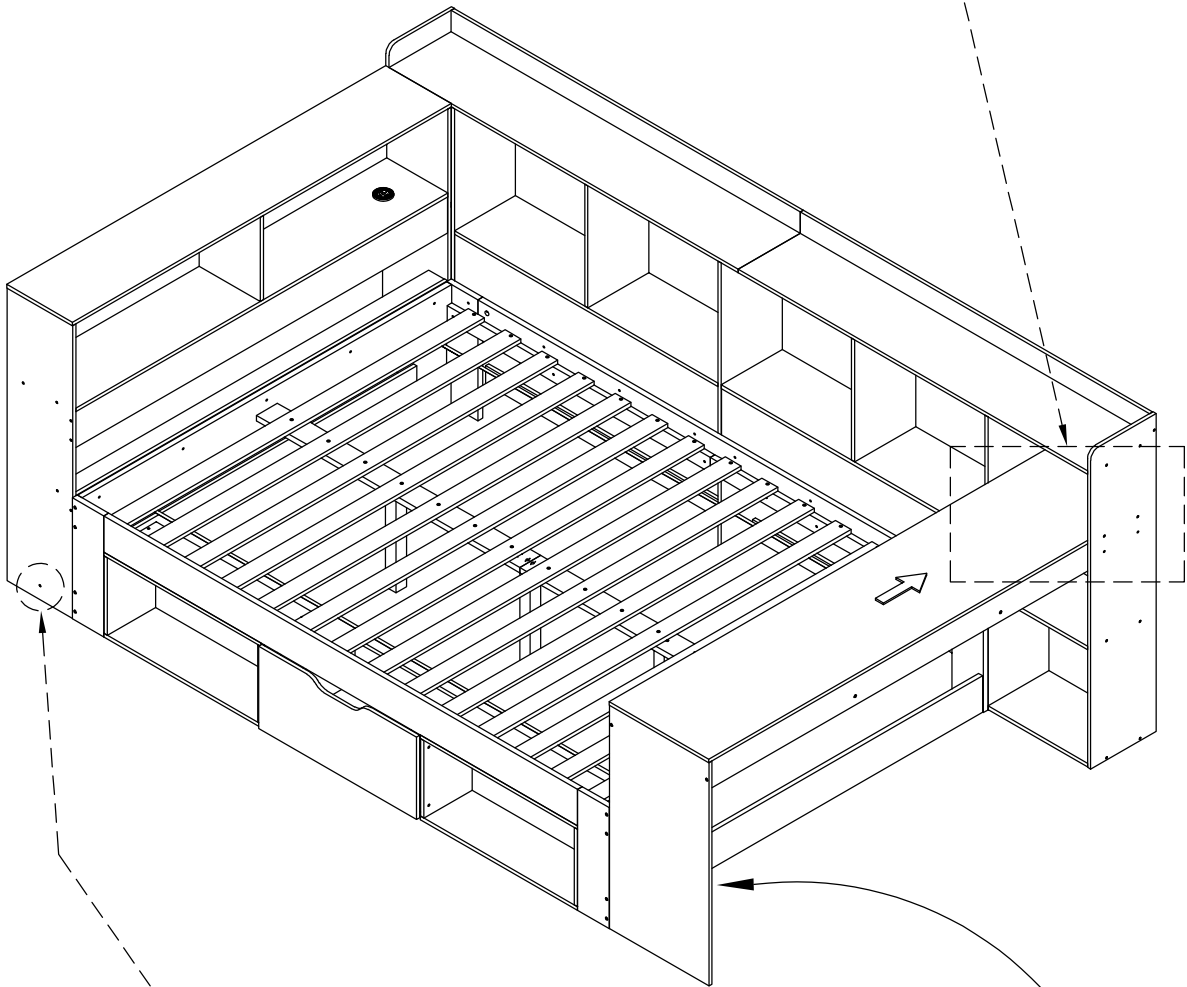
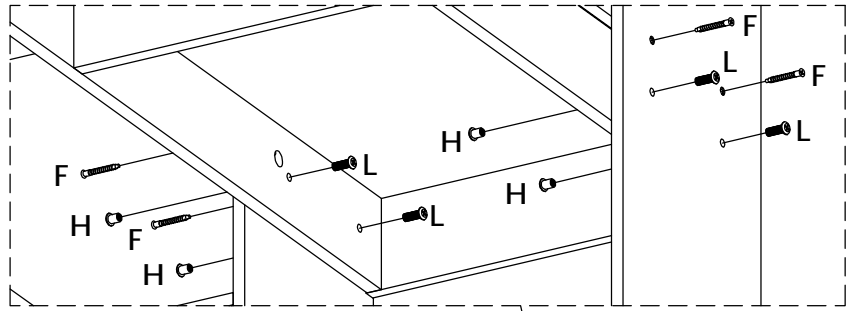
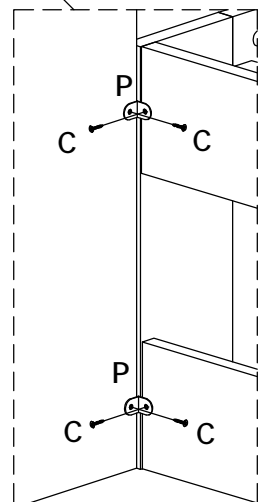
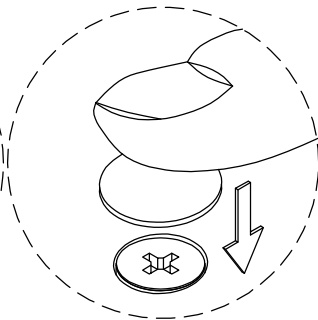
4PCS

P

2PCS

T

40PCS

**T**

P
C C
P
C C

Verification of Compliance

Verification No.: TMC210319126-E

Name and address of Applicant: **Shenzhen CWG Technology Co., Ltd**
5 / F, No.264 Baoshi East Road, Shiyan street, Bao'an District, Shenzhen,China 518108

Name and address of Manufacturer: **Shenzhen CWG Technology Co., Ltd**
5 / F, No.264 Baoshi East Road, Shiyan street, Bao'an District, Shenzhen,China 518108

Product name: **LED Strip**

Rated: DC12V

Product model(s): CWG-5050RGB-60D-12V , additional models reference attachment

Product trademark: 创唯光

This verification confirms that the product meets the requirements of the following standard.
The conformity was demonstrated based on following standard(s) listed by European Commission as harmonized with EMC Directive 2014/30/EU.

EN IEC 55015:2019+A11:2020
IEC 61547:2020

The verification has been carried out in accordance with individual rules and conditions agreed with the applicant. Evaluation has been carried out in accordance with:

Test report(s) No.: TMC210319126-E

Test conducted by: TMC Testing Services (Shenzhen) Co., Ltd.

Verification issue date: March 26, 2021

Notes:

This verification refers to the above mentioned product and its conformity in regards of above mentioned standard(s) was proven on test sample.

This verification does not imply meeting all essential requirements, assessment of the series-production or any other restricted Notified Bodies conformity assessment procedure appropriate for the product.

This verification holder shall use this verification in connection to verification of conformity and technical data relevant for the product the verification was issued.

TMC Testing Services (Shenzhen) Co., Ltd.

t:86-755-86642861 cert@tmc-lab.com www.tmc-lab.com

1st Floor, Block A1, Zone A, Xinshidai Gongrong Industrial Park, No. 2, Shihuan Road, Shiyan Street, Baoan District, Shenzhen, China



Verification of Compliance

CWG-5050RGB-30D-12V, CWG-5050RGB-18D-12V, CWG-5050RGB-60D-24V,
CWG-5050RGB-60D-5V, CWG-5050RGB-30D-5V, CWG-5050RGB-18D-5V,
CWG-5050-60D-12V, CWG-5050-30D-12V, CWG-5050-60D-24V,
CWG-HC5050RGB-60D-12V, CWG-HC5050RGB-30D-12V,
CWG-HC5050RGB-60D-24V, CWG-HC5050-60D-12V, CWG-HC5050-30D-12V,
CWG-HC5050-60D-24V, CWG-HC5050RGB-30D-5V, CWG-HC5050RGB-60D-5V,
CWG-HC5050RGB-144D-5V, CWG-2835-60D-12V, CWG-2835-120D-12V,
CWG-2835-60D-24V, CWG-2835-120D-24V, CWG-2835-60D-5V, CWG-2835-120D-5V

Note:

This attachment only valid with Verification No.: TMC210319126-E

Certificate of Conformity

Certificate No. : HTT202405689E
Applicant : Zhongshan Jin Kai Sheng Tech. Co., LTD.
Applicant Address : 4th floor, No.8 South Guang Ming Road, Nan Tou Town,
Zhongshan, Guangdong, P.R.C
Manufacturer : Zhongshan Jin Kai Sheng Tech. Co., LTD.
Manufacturer Address : 4th floor, No.8 South Guang Ming Road, Nan Tou Town,
Zhongshan, Guangdong, P.R.C
Product : Built in 3 ports mini desk power grommet
JKS-P03-G001, JKS-P03-X* series
P03:PBCA type code =P03
Model No. : X , overview-1 character: means different overview, it' s X
X=A/B/C/D/E/F/G/H/I/J/K/L/M/N/O/P/Q/R/S/T/U/V/W/X/Y/Z,
denotes for different overview
*, design serial number-3 characters;
*=001 to 999 denotes for different decoration of the product
Trademark : N/A

The following products have been tested by us with listed standards and found in compliance with the council EMC 2014/30/EU. It is possible to use CE marking to demonstrate the compliance with the EMC directive

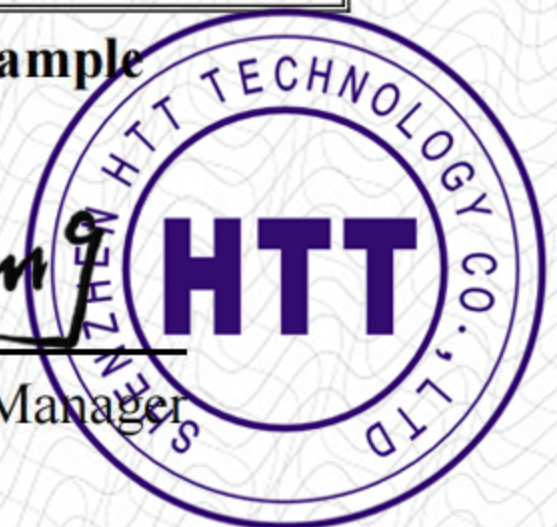
Test standards:	Report(s) Number	Issued By	Issued Date
EN 55032:2015+A1:2020 EN 55035: 2017+A11:2020 EN IEC 61000-3-2: 2019 +A1:2021 EN 61000-3-3:2013+A2:2021+AC:2022	HTT202405689ER	HTT	Jun. 05, 2024

This certificate of conformity is not transferable and based on an evaluation of a sample of the above mentioned product.



Authorised Signatory:

Kevin Yang
KevinYang/Senior Manager



Date: Jun. 05, 2024