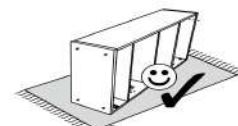
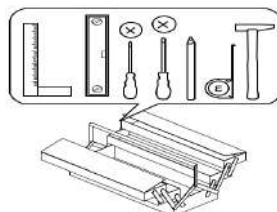
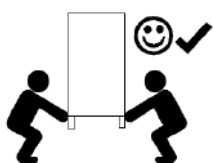
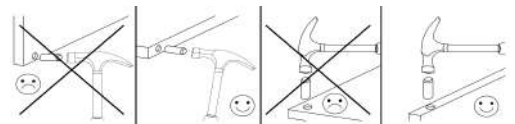
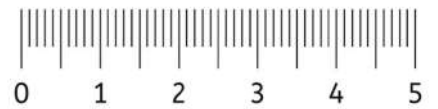
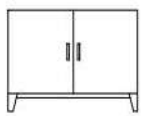
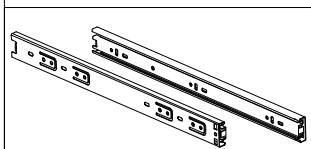
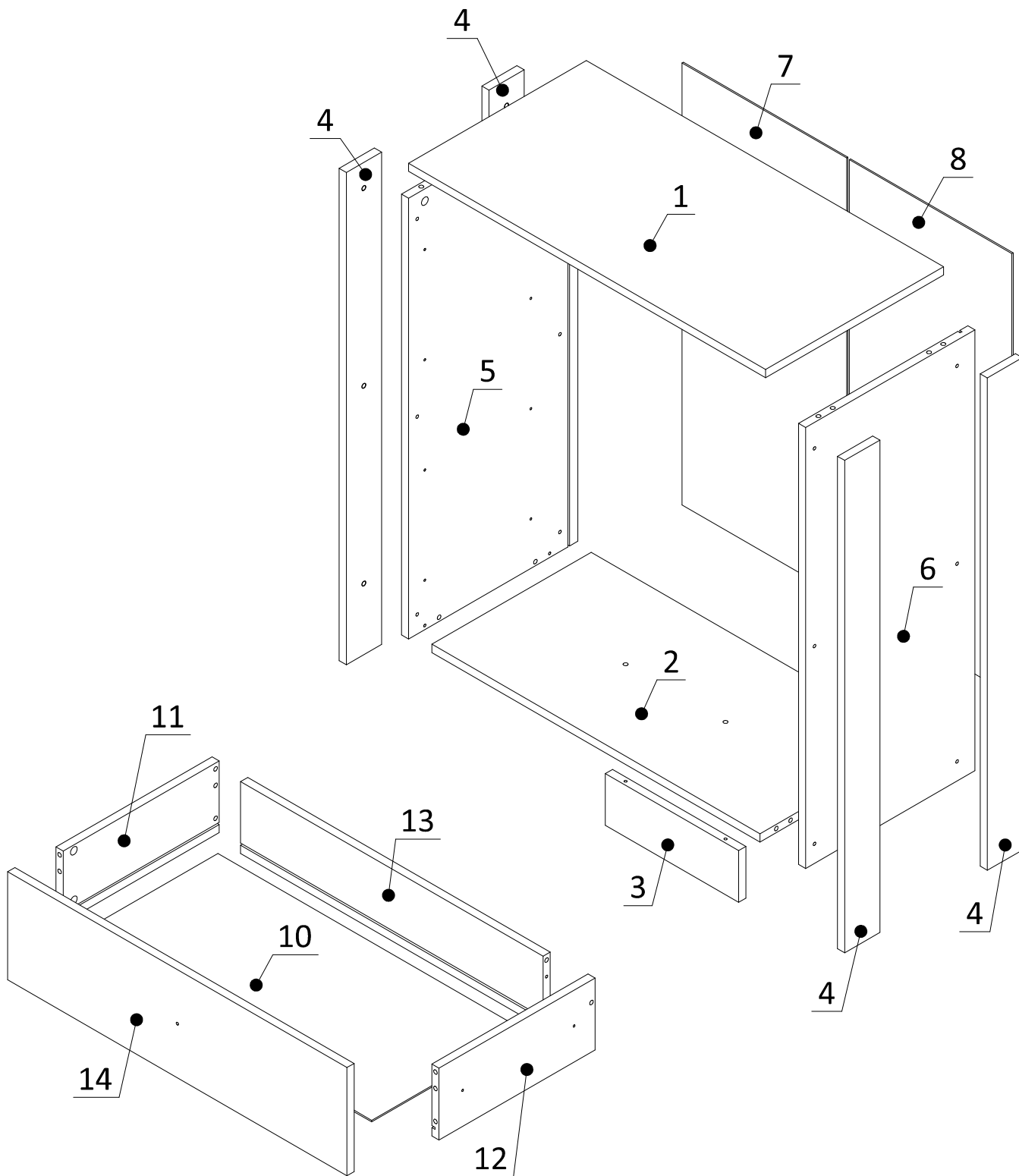
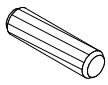
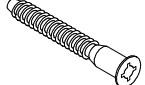
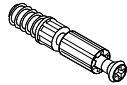
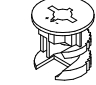

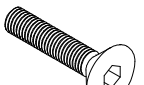
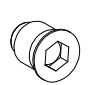

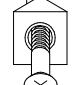
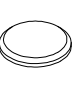
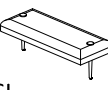
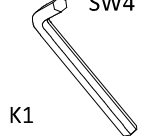
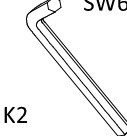
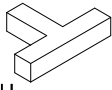
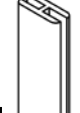

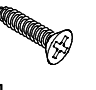
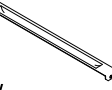
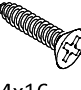
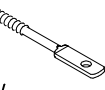


ETHAN KOMODA 4SZ

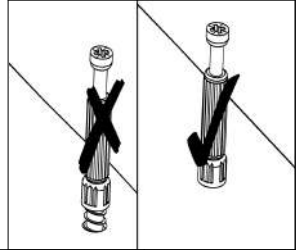
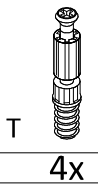
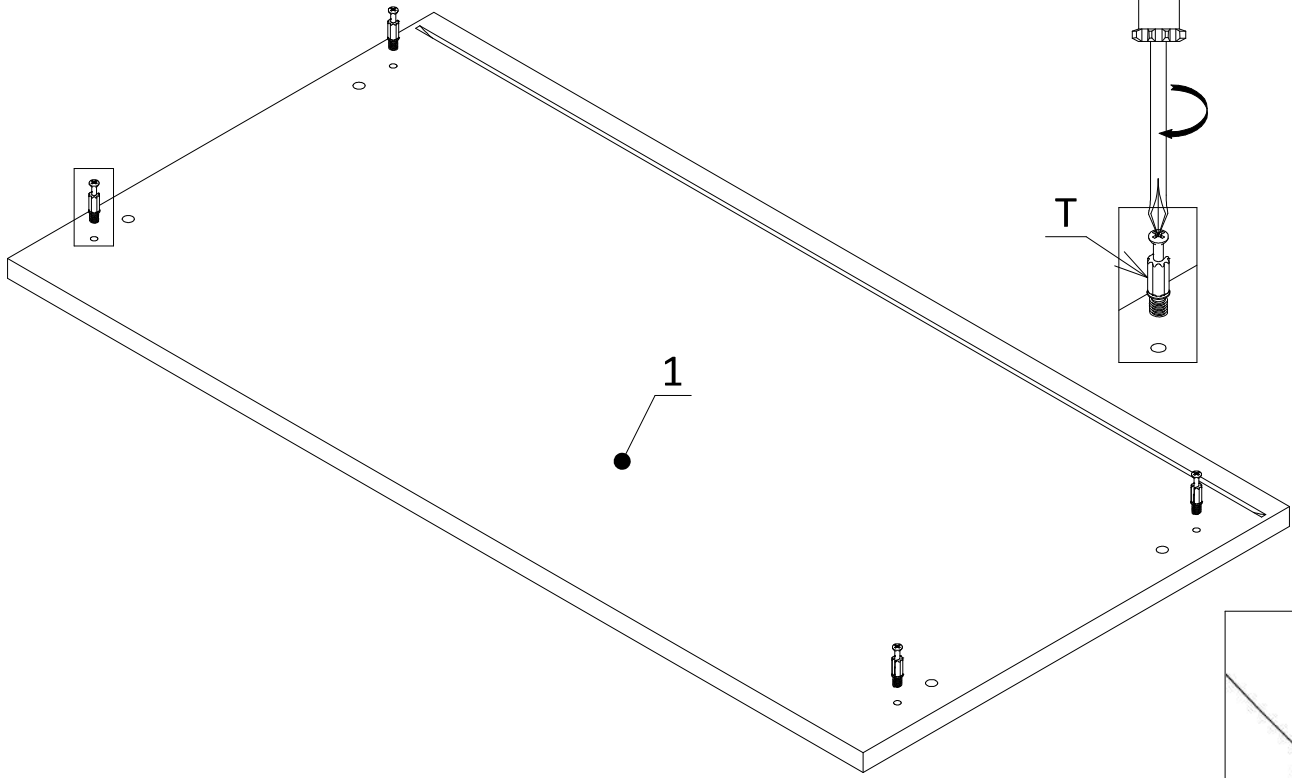




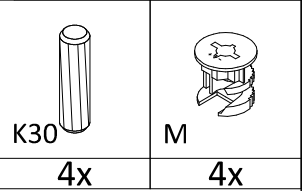
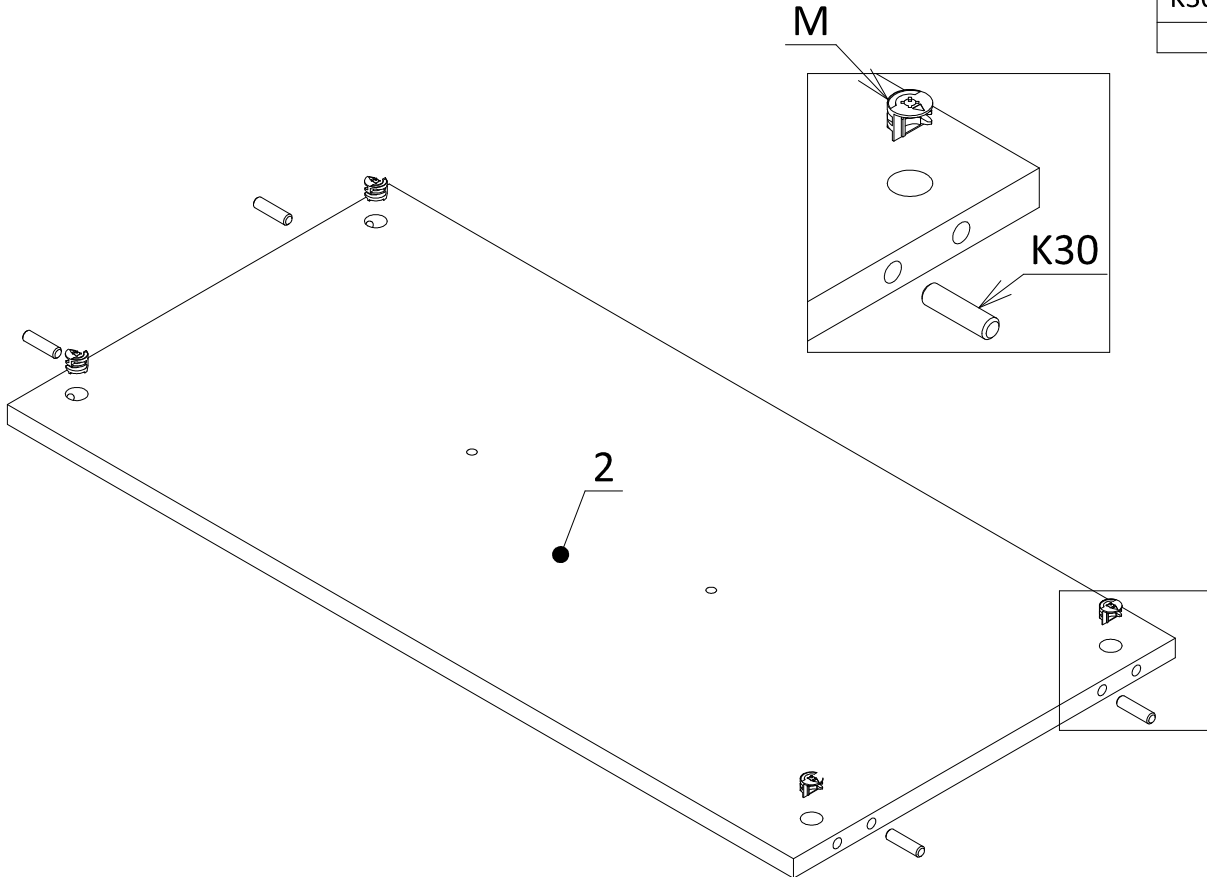
4kpl. PK-0H35-350

 K30	 KF	 T	 M	 E	 S1	 MF	 GW	 ST	 ZM
8x30 32x	7x50 10x	L20,3 24x		5x13 32x	M6x25 12x	M6x12 12x	2x20 8x		
 SL	 K1	 K2	 U	 LH	 WU	 W4	 W	 W4x16	 SW
6x	SW4 1x	SW6 1x			M4x22 4x	4x13 8x	L350 4x		

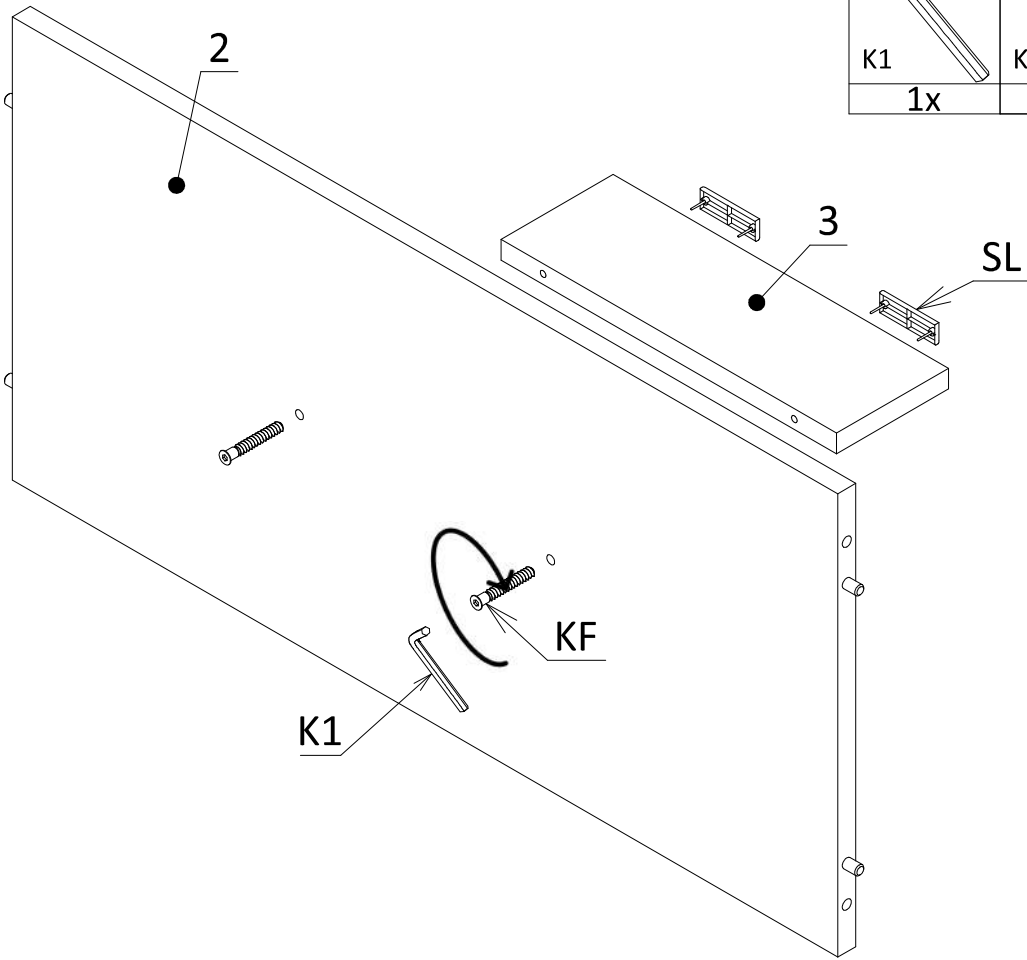
1

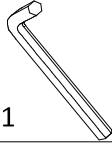
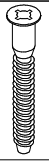
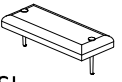


2

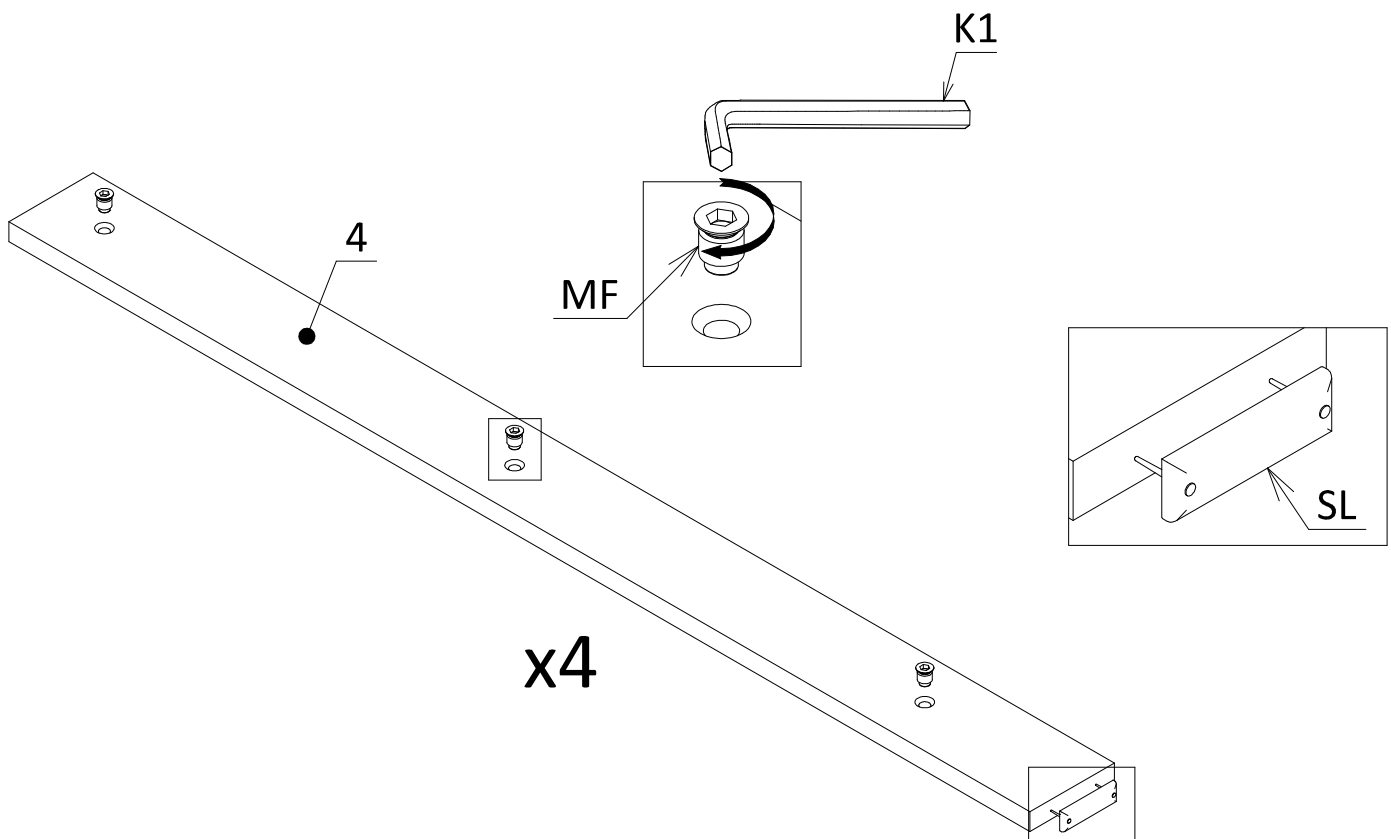


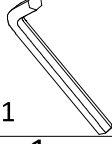
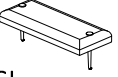
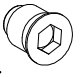
3



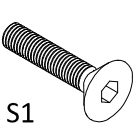

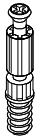

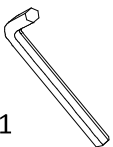
 K1	 KF	 SL
1x	2x	2x

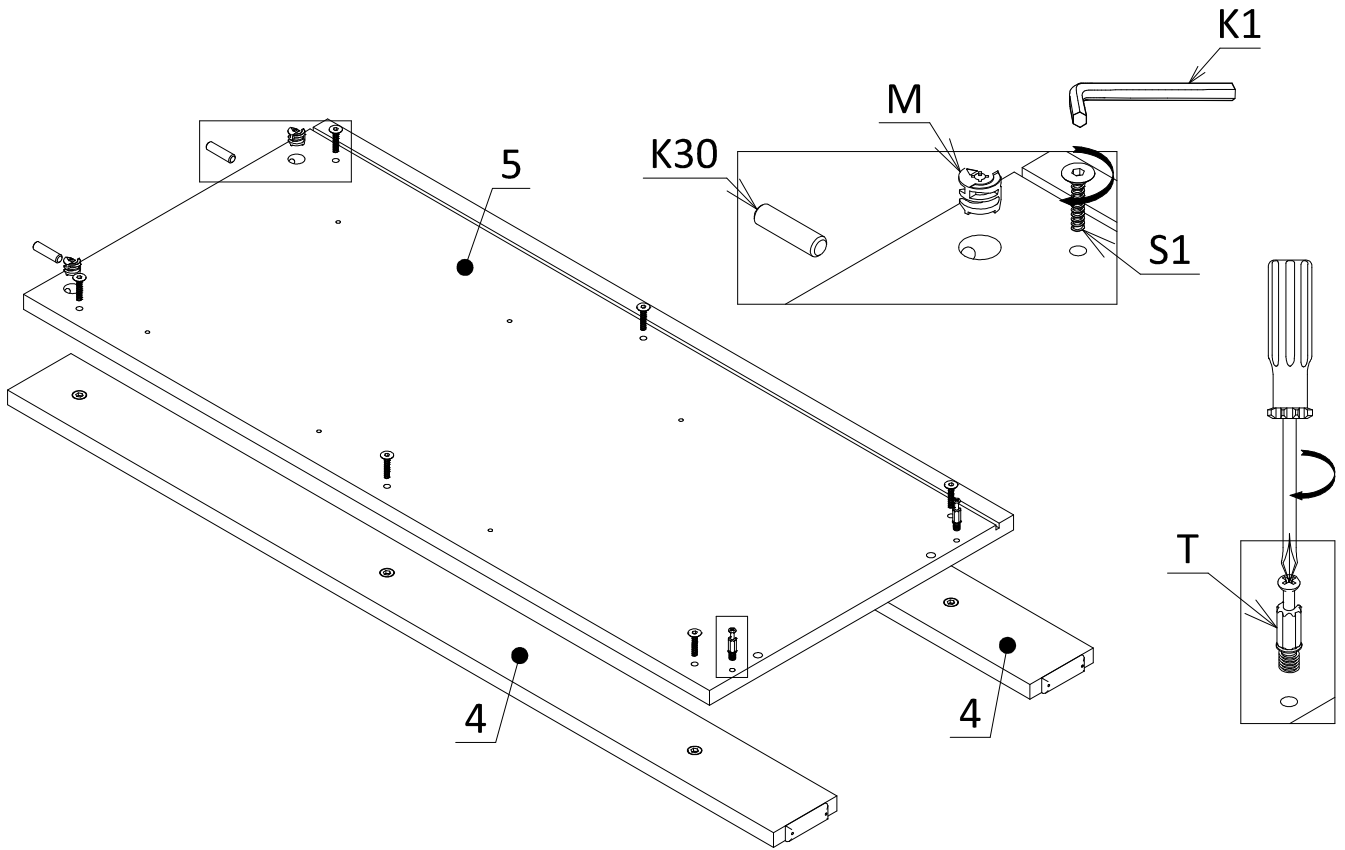
4



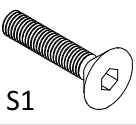

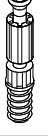

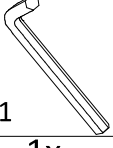
 K1	 SL	 MF
1x	4x	12x

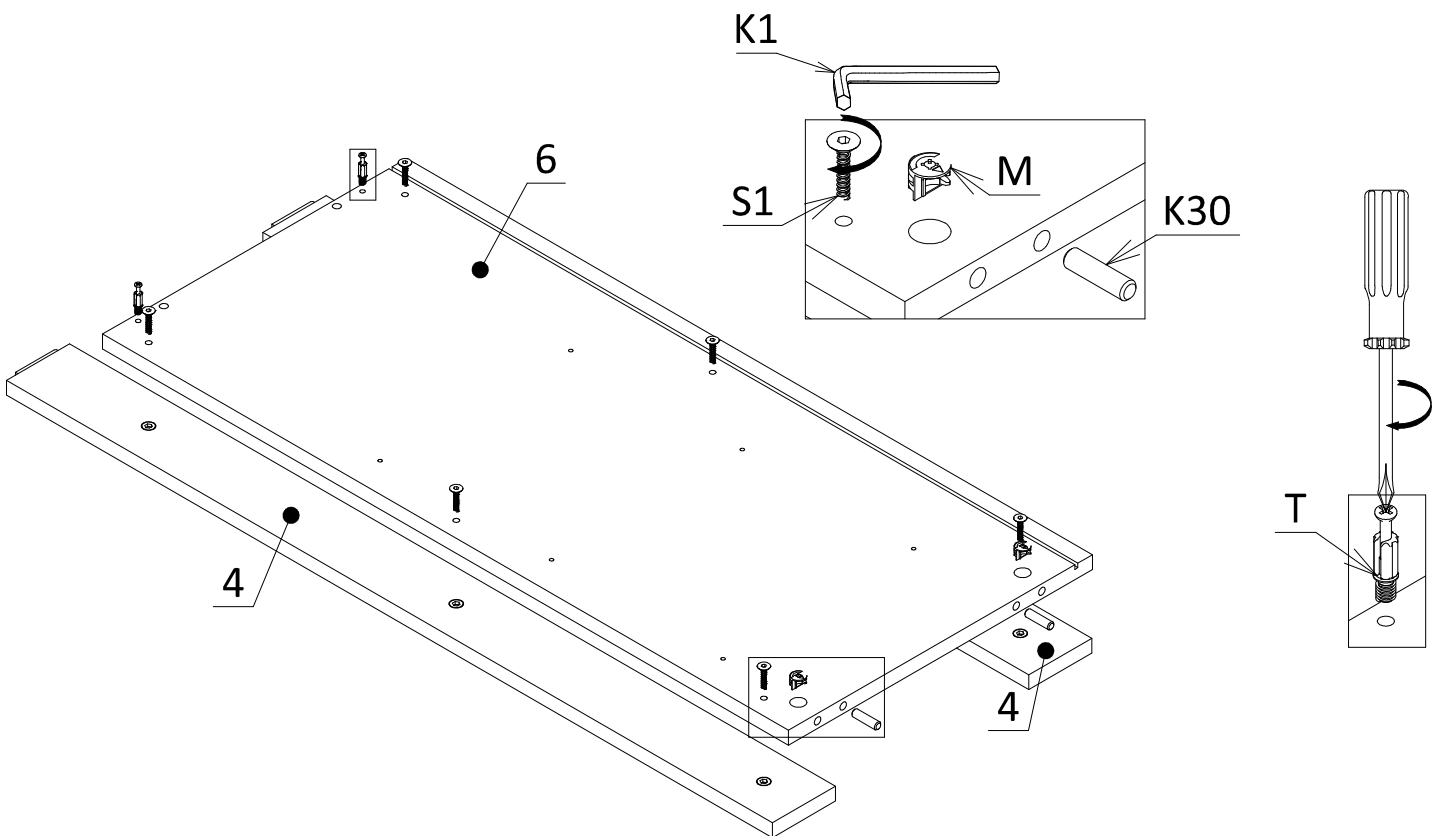
5

				
S1	K30	T	M	K1
6x	2x	2x	2x	1x

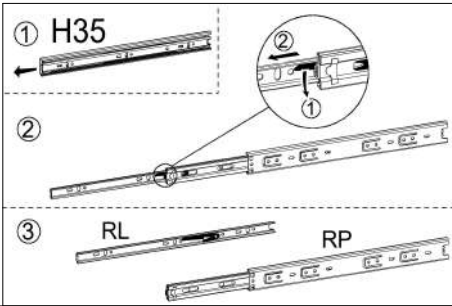
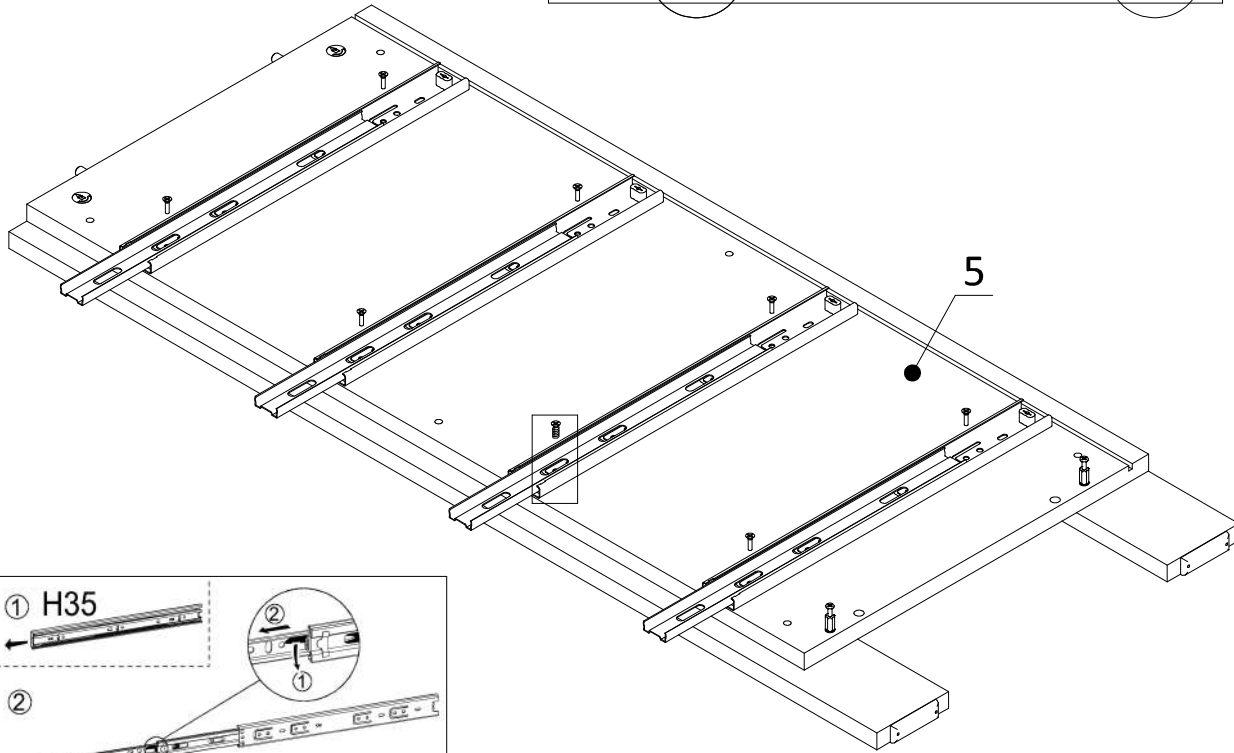
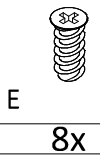
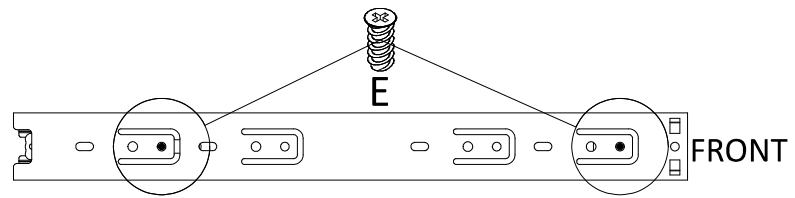


6

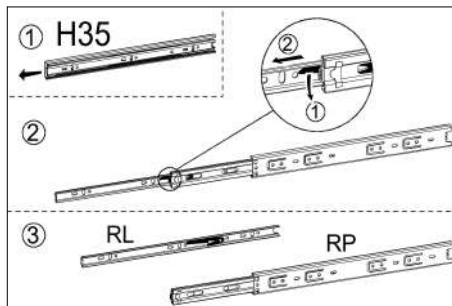
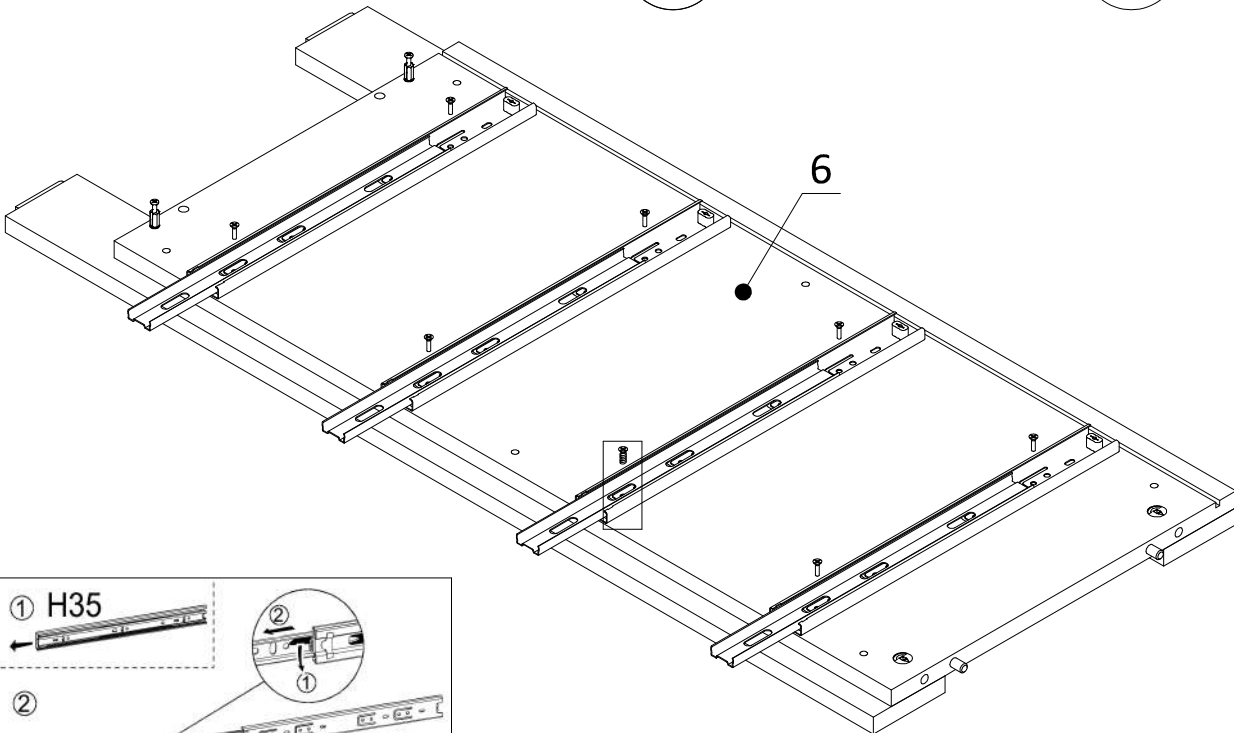
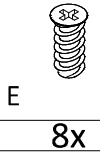
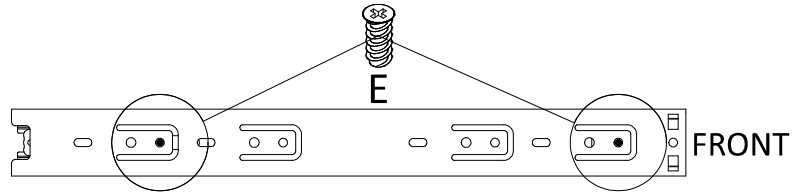
				
S1	K30	T	M	K1
6x	2x	2x	2x	1x



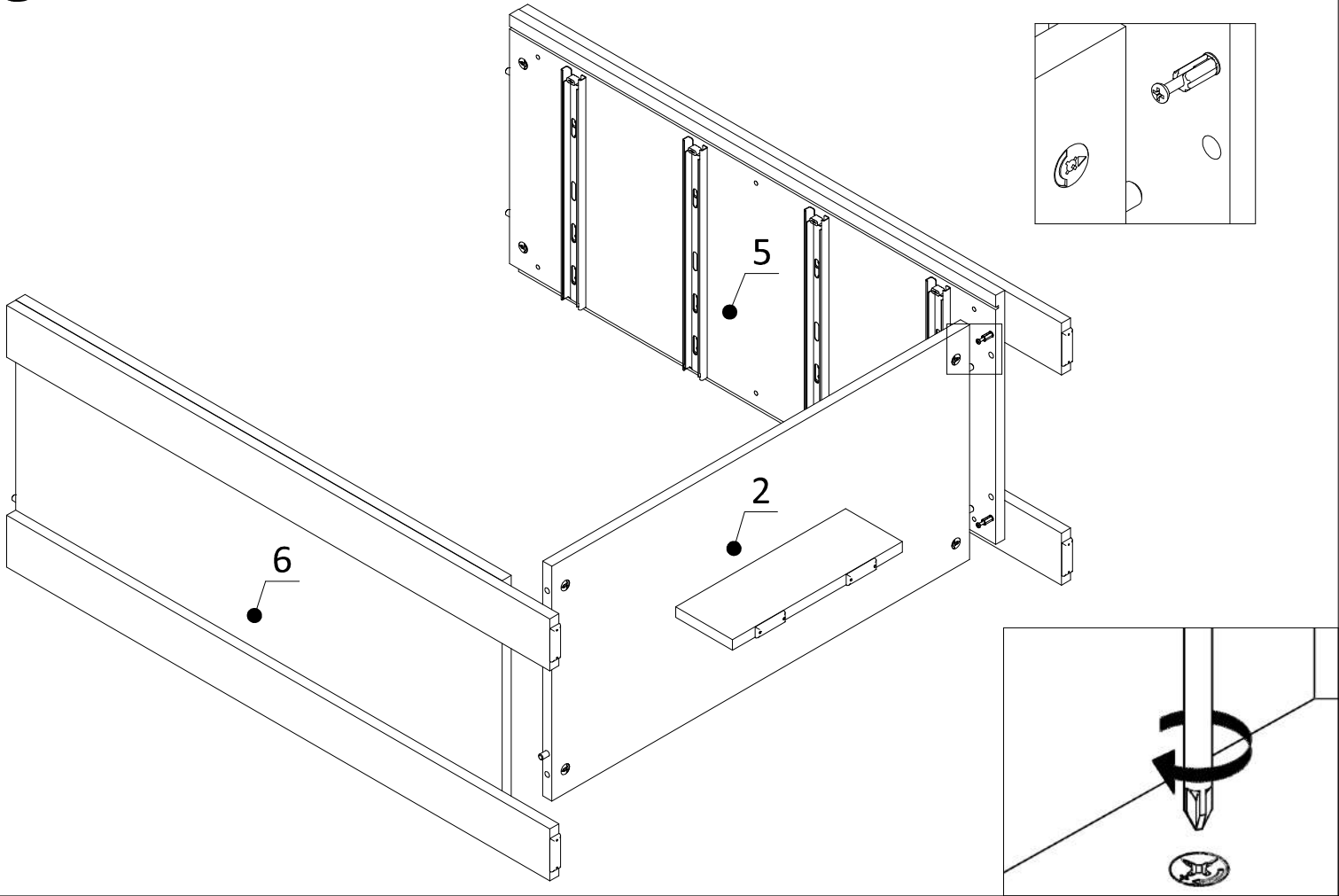
7



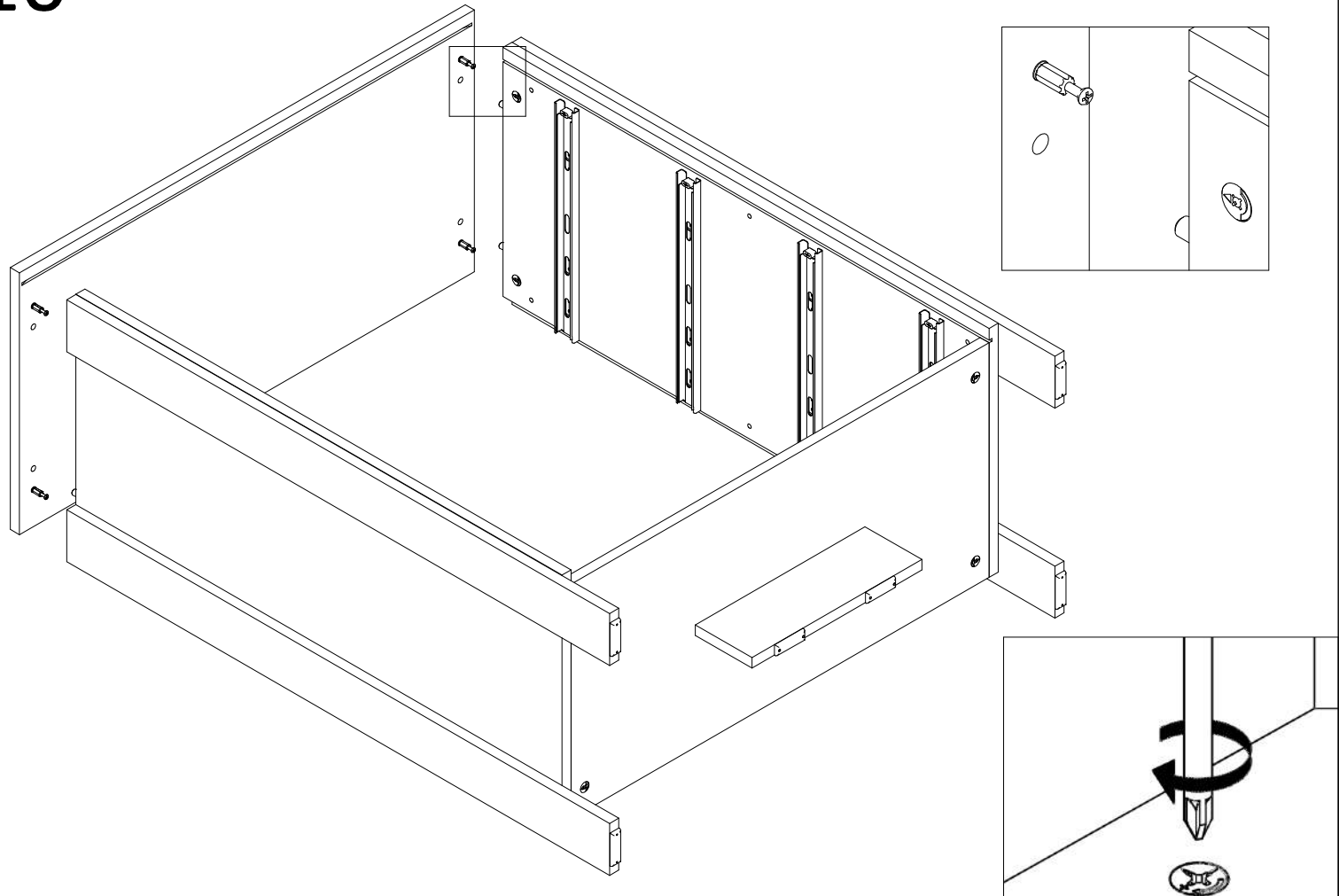
8



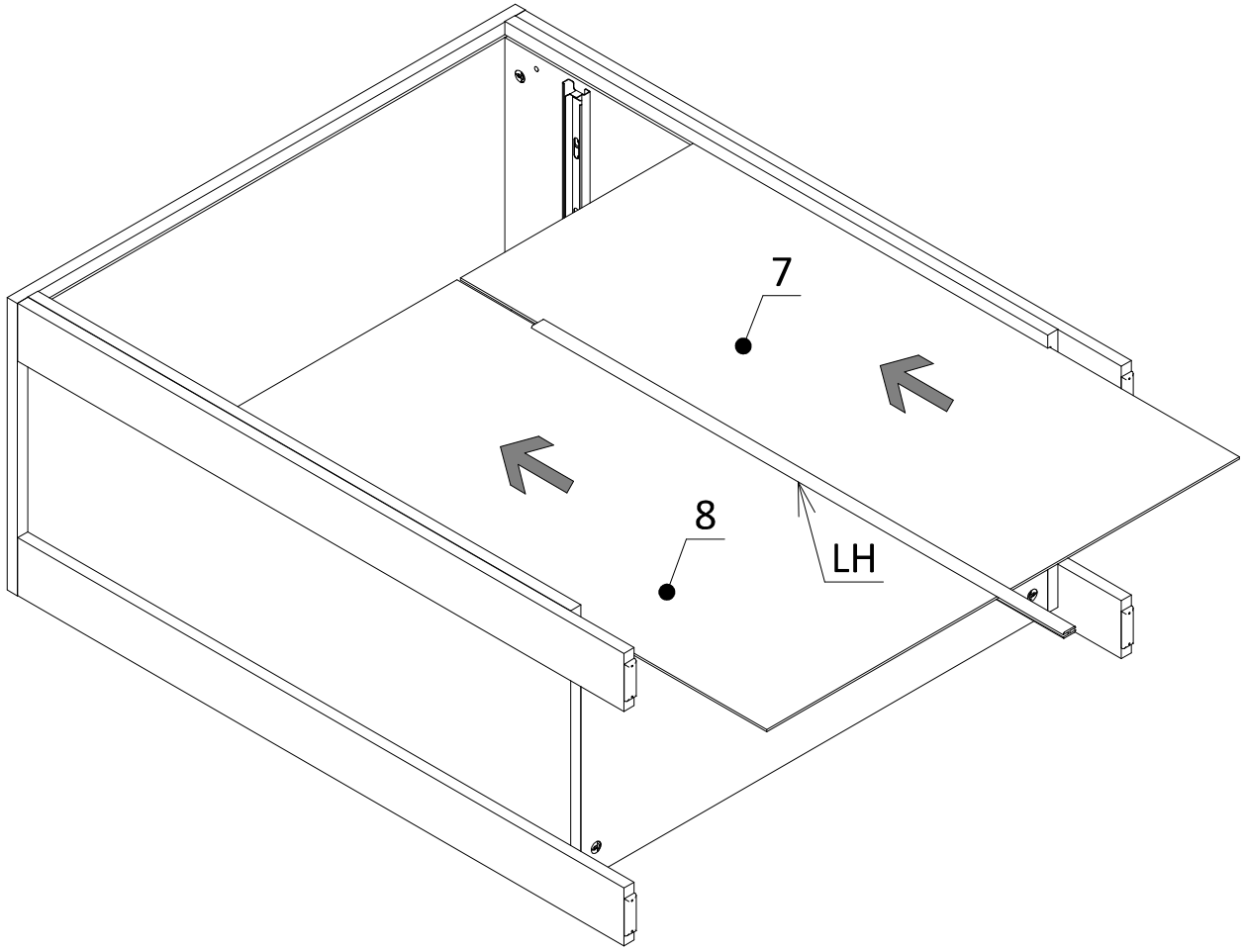
9



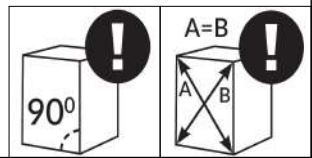
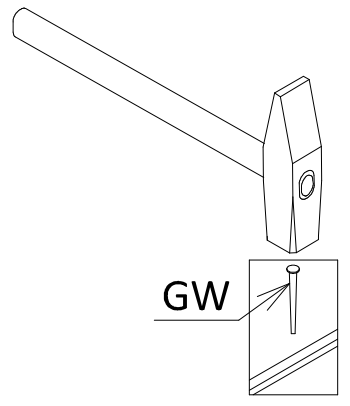
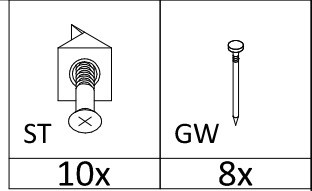
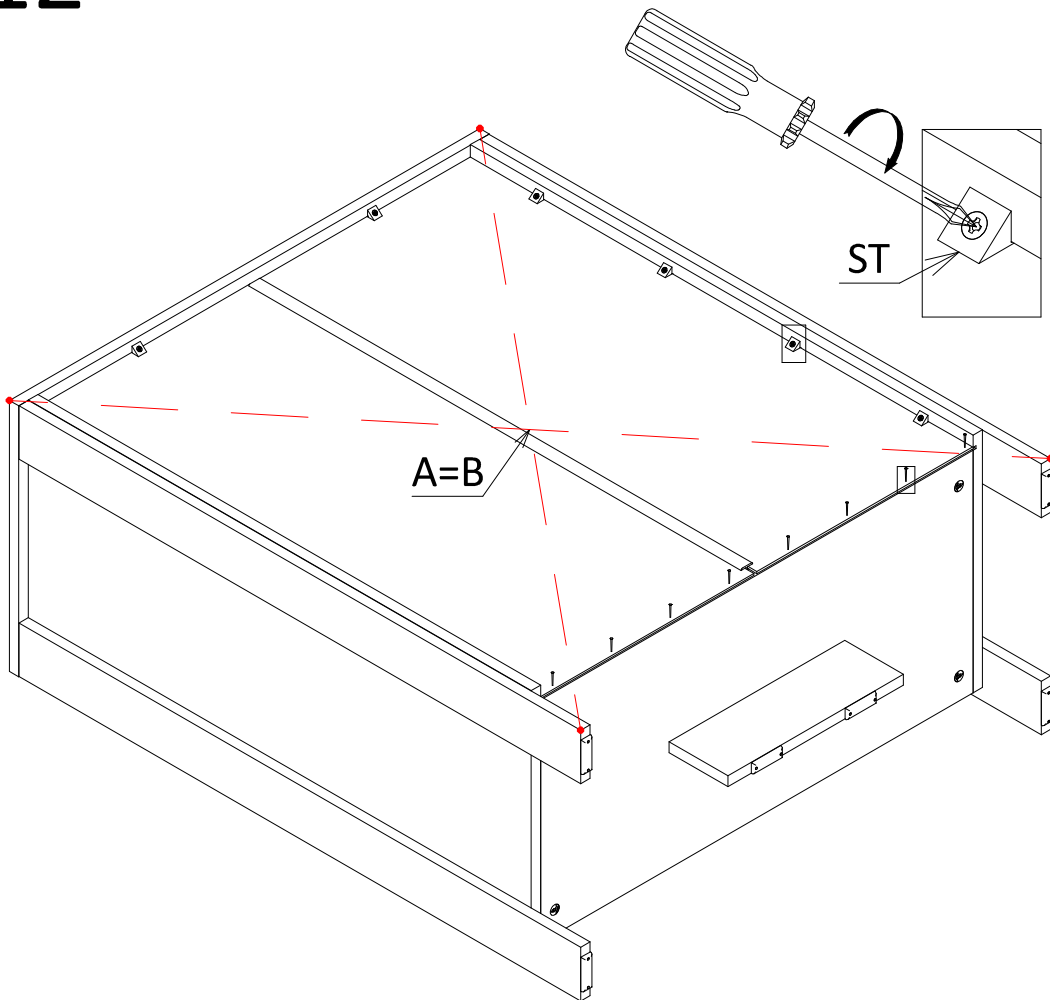
10



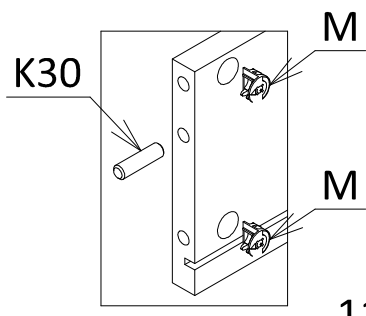
11

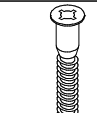
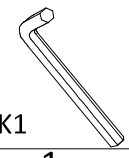
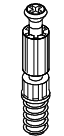




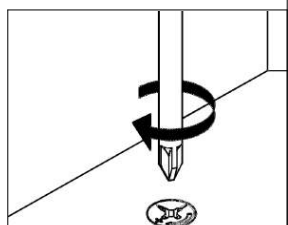
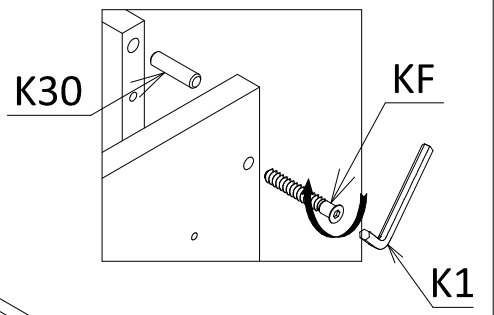
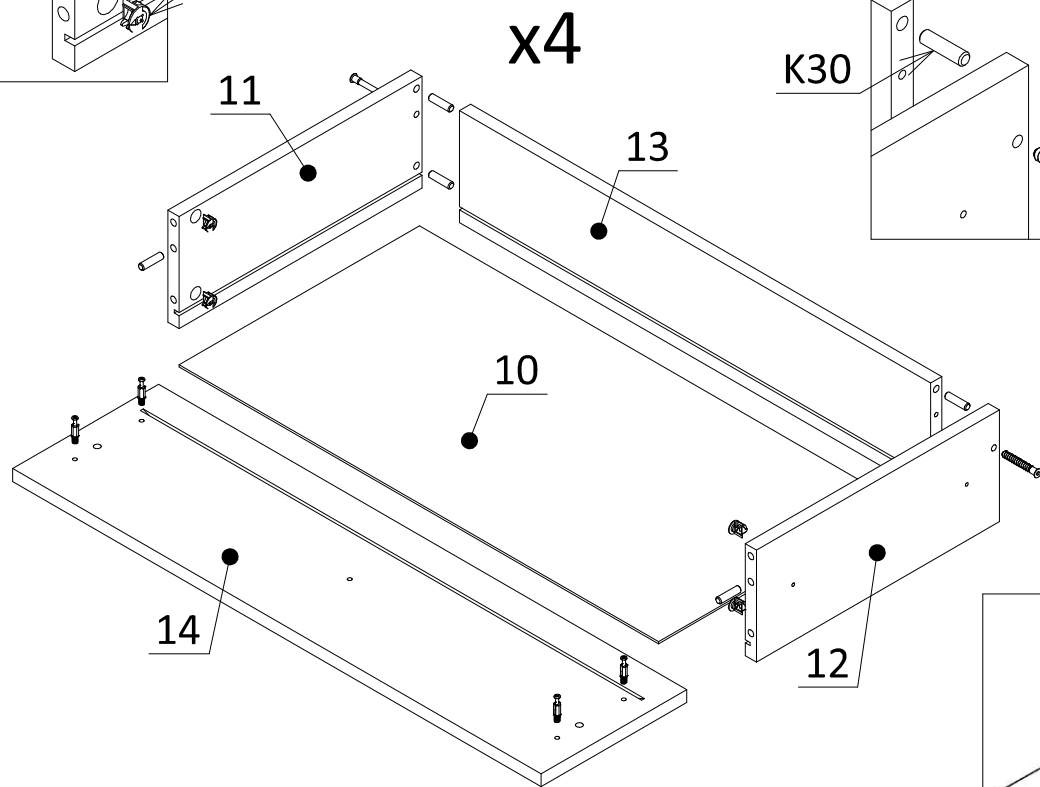
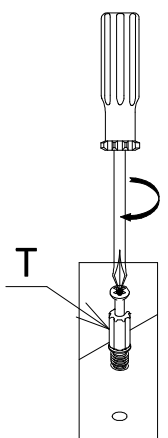
12




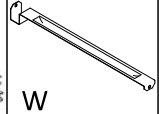


13

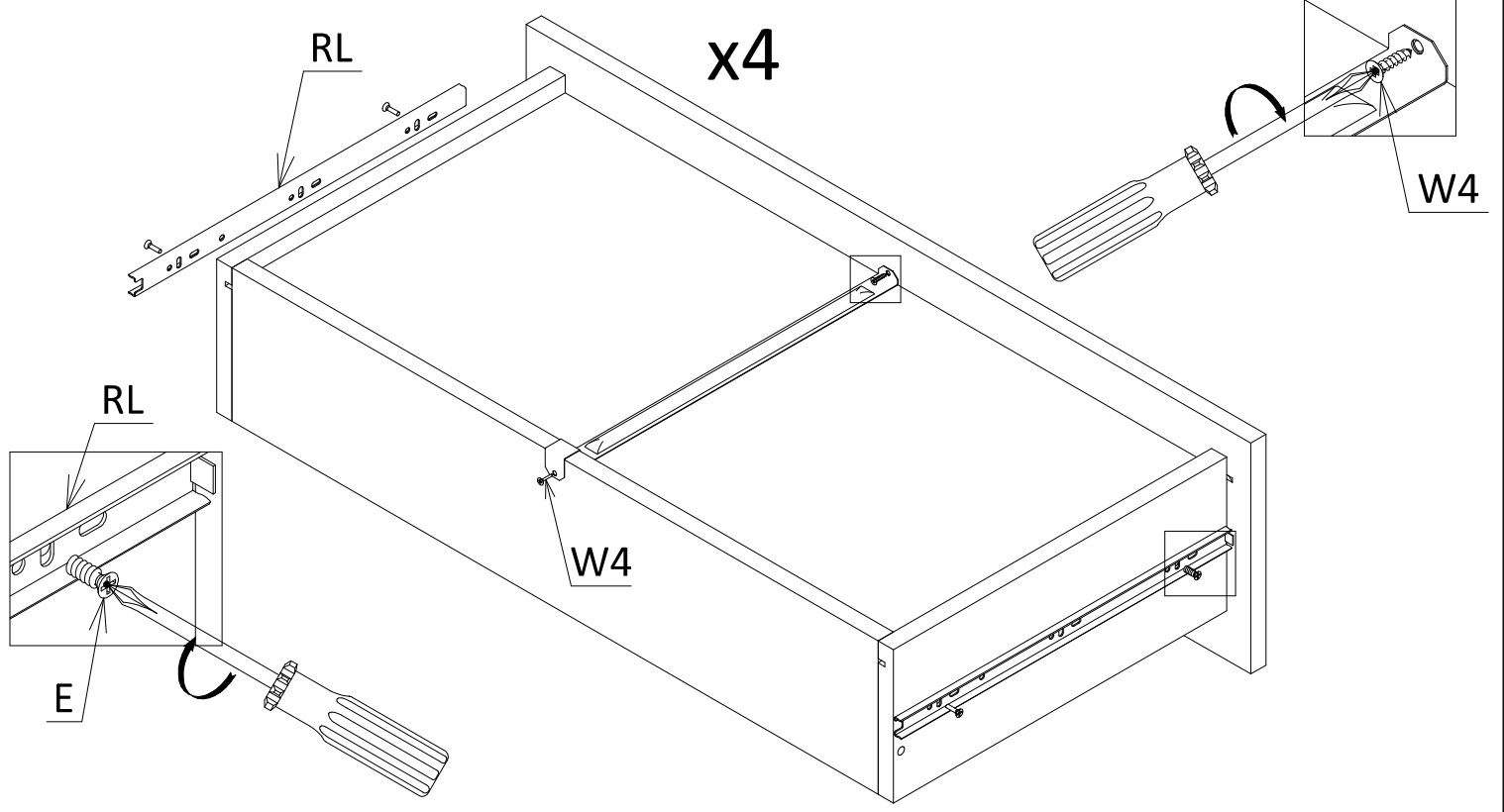


				
KF 8x	K1 1x	T 16x	M 16x	K30 24x

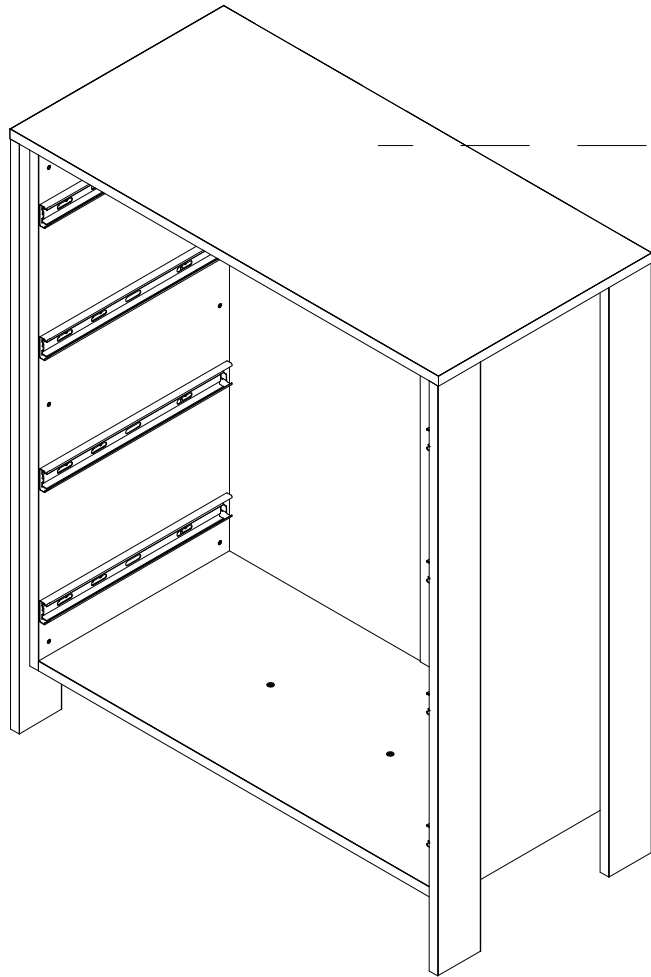


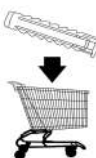

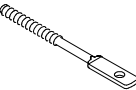
14

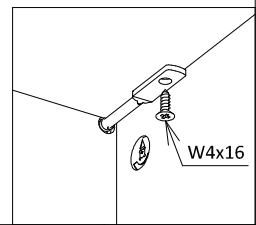
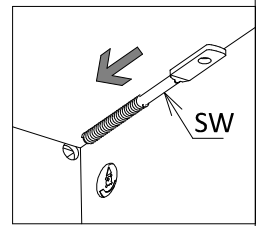
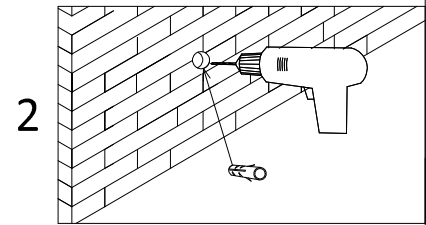
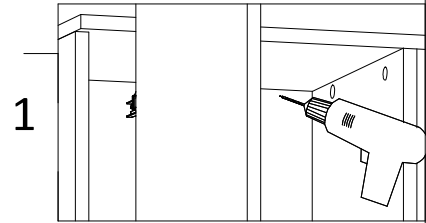
			
RL 4x	W 4x	E 16x	W4 8x



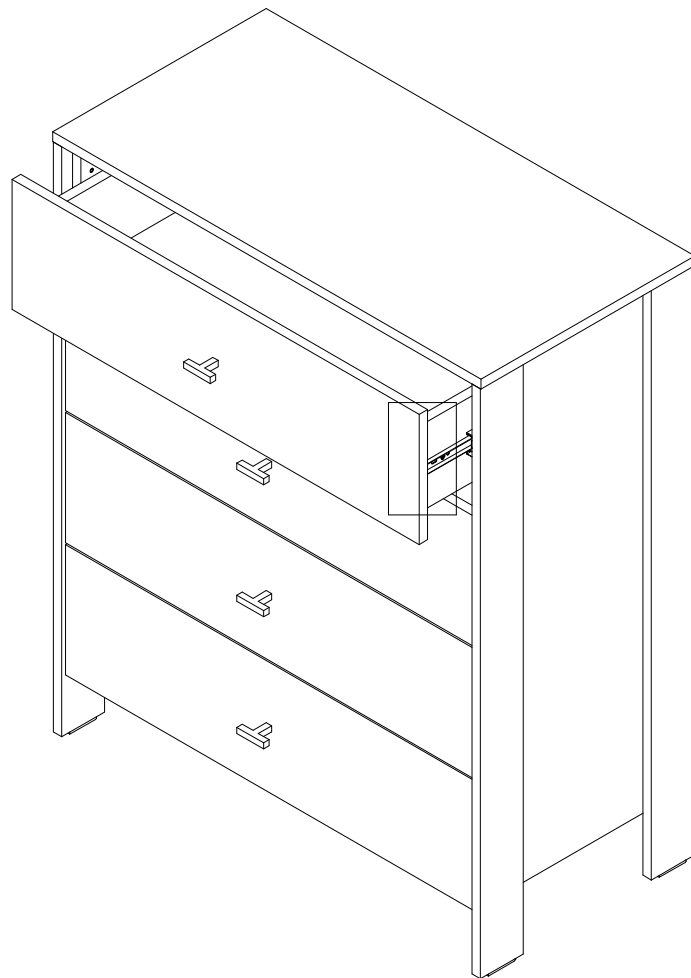
15


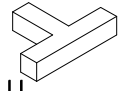


	 W4x16 1x	 SW 1x
------------------------------------------------------------------------------------	---------------------------------------------------------------------------------------------------	------------------------------------------------------------------------------------------------



16



 WU 4x	 U 4x
---------------------------------------------------------------------------------------------------	--------------------------------------------------------------------------------------------------

