

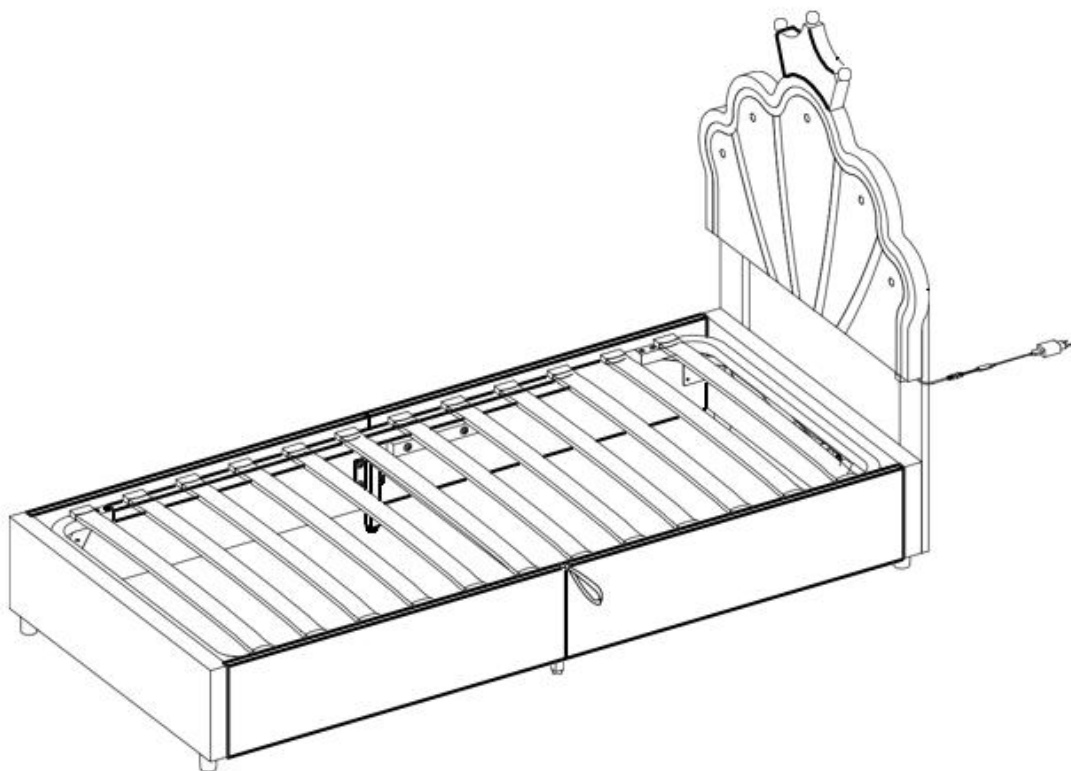
Installation sanleitung

Installation Instruction

Installation d'installation

SKU NUMBER: N636P312728 N636P312729

Bett 90 x 200CM



DE: Unser Produkt wird Ihnen in 2 Paketen geliefert. Die Lieferzeiten dieser 2 Pakete können abweichen, bitte haben Sie etwas Geduld und vielen Dank für Ihr Verständnis.

UK: Our product will be delivered to you in 2 packages. The delivery times of these 2 packages may differ, please be patient and thank you for your understanding.

FR: Notre produit vous sera livré en 2 colis. Les délais de livraison de ces 2 colis peuvent différer, soyez patient et merci pour votre compréhension.

English

IMPORTANT FOR GAS LIFT BEDS&MAINTAINCE

- Please place the mattress on top of the bed frame.
- Please do not pull on the strap handles.
- Please press heavily to release the compressed gas.
- Periodically check all screw & fixings to ensure they are secure.
- When moving your product, carefully lift into place.
- Wipe clean with a slightly damp cloth- please do not use abrasive chemicals or bleach.
- Do NOT allow children to operate the lift mechanism.
- Do NOT allow children near the lift base when operating the mechanism.
- Do NOT stand inside the bed or the internal storage base.
- Do NOT overload the internal storage base.
- DO NOT jump on the product or any of its parts.

Deutsch

WICHTIG FÜR GASLIFT-BETTEN&WARTUNG

- Bitte legen Sie die Matratze oben auf den Bettrahmen.
- Bitte ziehen Sie nicht an den Gurtgriffen.
- Bitte drücken Sie kräftig, um das komprimierte Gas freizusetzen.
- Überprüfen Sie regelmäßig alle Schrauben und Befestigungen, um sicherzustellen, dass sie sicher sind.
- Wenn Sie Ihr Produkt bewegen, heben Sie es vorsichtig an seinen Platz.
- Mit einem leicht feuchten Tuch abwischen - bitte keine scheuernden Chemikalien oder Bleichmittel verwenden.
- Erlauben Sie Kindern NICHT, den Hebemechanismus zu bedienen.
- Lassen Sie Kinder NICHT in die Nähe des Liftsockels, wenn Sie den Mechanismus bedienen.
- Stellen Sie sich NICHT in das Bett oder in die Innenablage.
- Überlasten Sie den internen Liftsockel NICHT.
- Springen Sie NICHT auf das Produkt oder eines seiner Teile.

Français

IMPORTANT POUR LES LITS À RELEVAGE DE GAZ&MAINTENANCE

- Veuillez placer le matelas sur le dessus du cadre de lit.
- Ne tirez pas sur les poignées de la sangle.
- Appuyez fortement pour libérer le gaz comprimé.
- Vérifiez régulièrement que toutes les vis et fixations sont bien en place.
- Lorsque vous déplacez votre produit, soulevez-le avec précaution pour le mettre en place.
- Nettoyez avec un chiffon légèrement humide - n'utilisez pas de produits chimiques abrasifs ou d'eau de Javel.
- Ne laissez pas les enfants utiliser le mécanisme de levage.
- Ne laissez pas les enfants s'approcher de la base de levage lorsqu'ils actionnent le mécanisme.
- Ne vous tenez PAS à l'intérieur du lit ou de la base de stockage interne.
- Ne surchargez pas la base de stockage interne.
- Ne pas sauter sur le produit ou l'une de ses parties.

Italiano

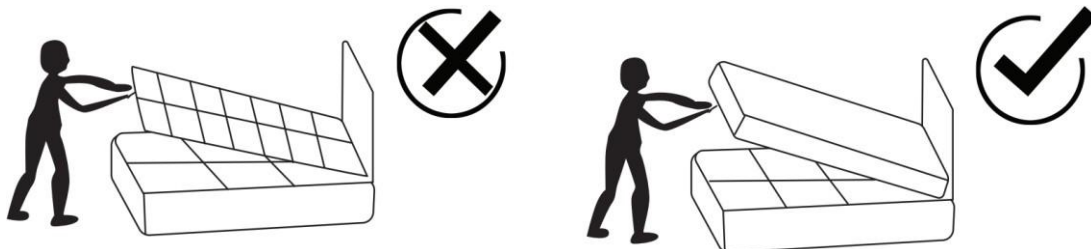
IMPORTANTE PER I LETTI CON SOLLEVAMENTO A GAS E LA MANUTENZIONE

- Posizionare il materasso sopra la struttura del letto.
- Non tirare le maniglie della cinghia.
- Premere con forza per rilasciare il gas compresso.
- Controllare periodicamente tutte le viti e i fissaggi per assicurarsi che siano saldi.
- Quando si sposta il prodotto, sollevarlo con cautela.
- Pulire con un panno leggermente umido, senza usare prodotti chimici abrasivi o candeggina.
- NON permettere ai bambini di azionare il meccanismo di sollevamento.
- NON permettere ai bambini di avvicinarsi alla base di sollevamento quando si aziona il meccanismo.
- NON sostare all'interno del letto o della base di contenimento interna.
- NON sovraccaricare la base di contenimento interna.
- NON saltare sul prodotto o sulle sue parti.

Español

IMPORTANTE PARA LAS CAMAS ELEVADORAS DE GAS & MANTENIMIENTO

- Coloque el colchón sobre el somier.
- No tire de las asas de la correa.
- Presione con fuerza para liberar el gas comprimido.
- Compruebe periódicamente que todos los tornillos y fijaciones estén bien sujetos.
- Al mover el producto, levántelo con cuidado para colocarlo en su sitio.
- Limpie con un paño ligeramente humedecido; no utilice productos químicos abrasivos ni lejía.
- NO permita que los niños accionen el mecanismo de elevación.
- NO permita que los niños se acerquen a la base elevadora cuando accionen el mecanismo.
- NO se ponga de pie dentro de la cama o de la base de almacenamiento interna.
- NO sobrecargue el somier.
- NO salte sobre el producto ni sobre ninguna de sus piezas.

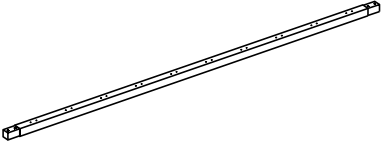
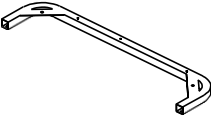
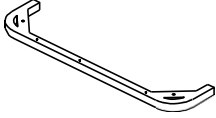
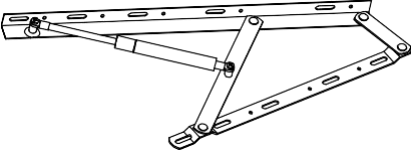
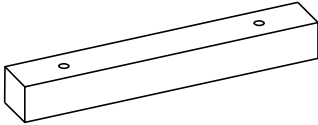

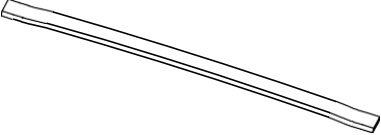
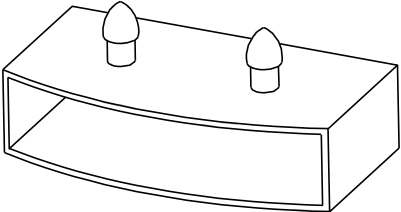


DE: Vor dem Einbau die Schrauben in die Löcher stecken und festziehen, aber nicht bis 100%, 70% bis 80% anziehen reicht aus. Schließlich, nachdem alle Schrauben installiert sind, ziehen Sie alle Schrauben auf 100%. Wenn Sie auf diese Probleme stoßen, wie z. B. Fehlausrichtung der Löcher oder Unfähigkeit, bestimmte Teile zu installieren, überprüfen Sie bitte, ob die Schrauben korrekt verwendet werden und passen Sie die Dichtigkeit der Schrauben an.

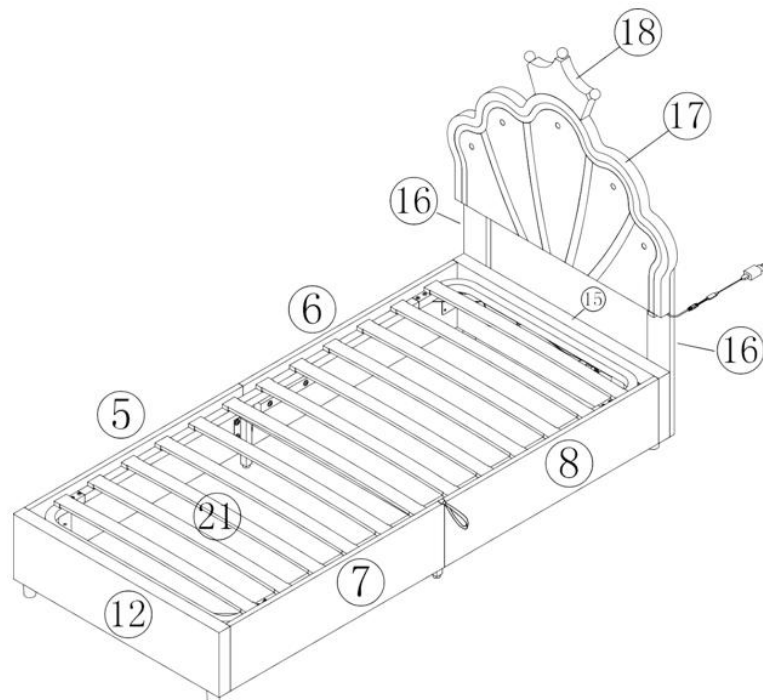
UK: Before installation, insert the screws into the holes and tighten them, but do not tighten them to 100%, 70% to 80% is sufficient. Finally, after all screws are installed, tighten all screws to 100%. If you encounter these issues, such as if the holes cannot be aligned or some parts cannot be installed, please check if the screws are used correctly and adjust the tightness of the screws.

FR: Insérer la vis dans le trou avant la fin de l'assemblage, serrer la vis, mais ne pas serrer à 100%, 70% ~ 80% est correct. Enfin, une fois que toutes les vis sont bien serrées, toutes les vis sont serrées à 100%. Si vous rencontrez ces problèmes, par exemple si les trous ne sont pas alignés ou si certaines pièces ne peuvent pas être montées, vérifiez que les vis sont utilisées correctement et Ajustez leur serrage.

Mülleimer 1/2: N636P312728

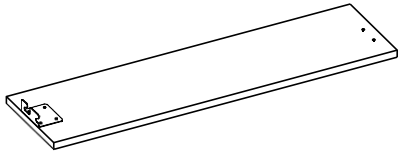
<p>1</p>  <p>2PCS</p>	<p>2</p>  <p>1PC</p>	<p>3</p>  <p>1PC</p>
<p>4</p>  <p>2PCS</p>	<p>11</p>  <p>2PCS</p>	<p>14</p>  <p>1PC</p>
<p>21</p>  <p>12PCS</p>	<p>J</p>  <p>24PCS</p>	

DIAGRAMM



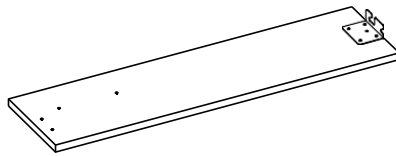
Mülleimer 2/2: N636P312729

5



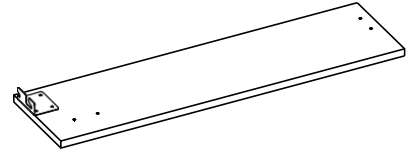
1PC

6



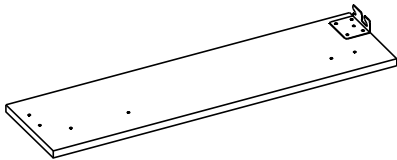
1PC

7



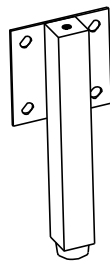
1PC

8



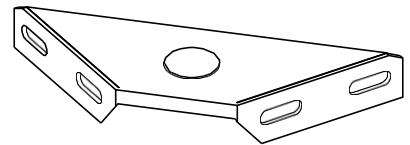
1PC

9



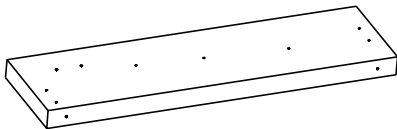
2PCS

10



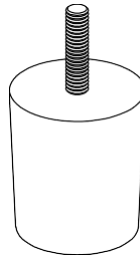
2PCS

12



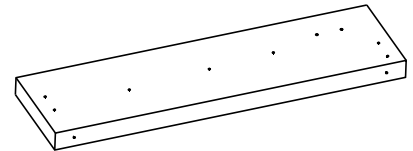
1PC

13



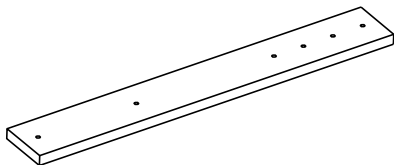
4PCS

15



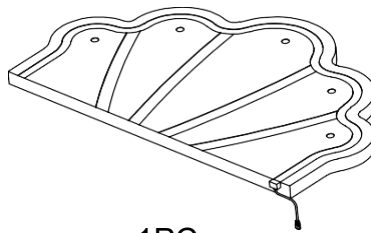
1PC

16



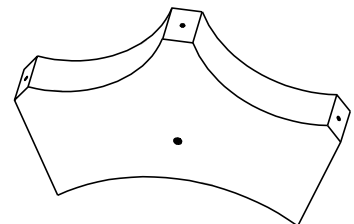
2PCS

17



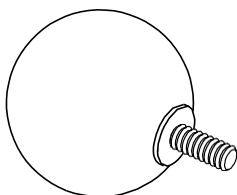
1PC

18



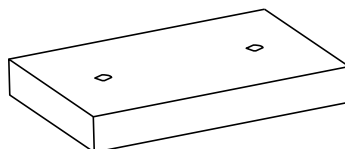
1PC

19



3PCS

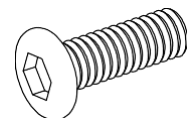
20



1PC

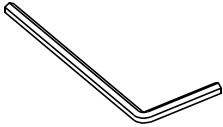
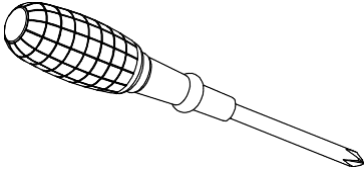
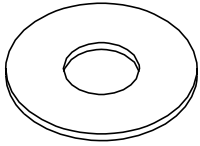
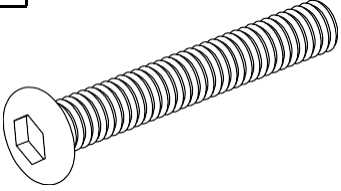
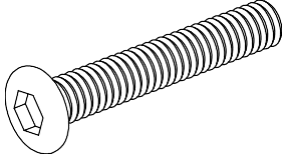
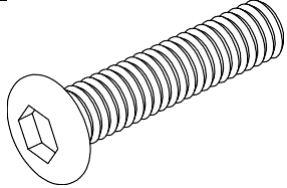
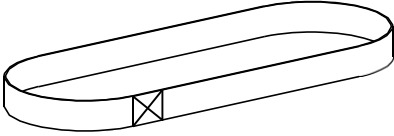
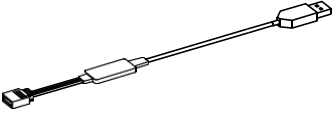
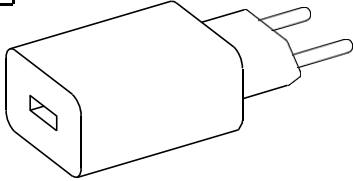
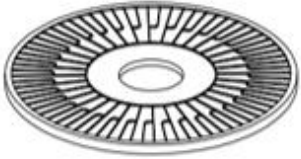
A


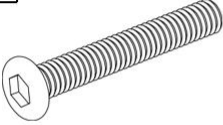

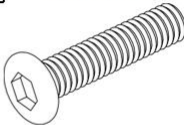
Bolzen M8x20mm



44PCS

Mülleimer 2/2: N636P312729

<p>B</p>  <p>1PC</p>	<p>C</p>  <p>1PC</p>	<p>D</p>  <p>40PCS</p>
<p>E</p> <p>Bolzen M8x45mm</p>  <p>6PCS</p>	<p>F</p> <p>Bolzen M8x40mm</p>  <p>8PCS</p>	<p>G</p> <p>Bolzen M8x30mm</p>  <p>2PCS</p>
<p>H</p>  <p>1PC</p>	<p>K</p>  <p>1PC</p>	<p>L</p>  <p>1PC</p>
<p>M</p>  <p>4PCS</p>		

<p>A</p> <p>Bolzen M8x20mm</p>  <p>44PCS</p>	<p>E</p> <p>Bolzen M8x45mm</p>  <p>6PCS</p>	<p>F</p> <p>Bolzen M8x40mm</p>  <p>8PCS</p>	<p>G</p> <p>Bolzen M8x30mm</p>  <p>2PCS</p>
---	--	---	--

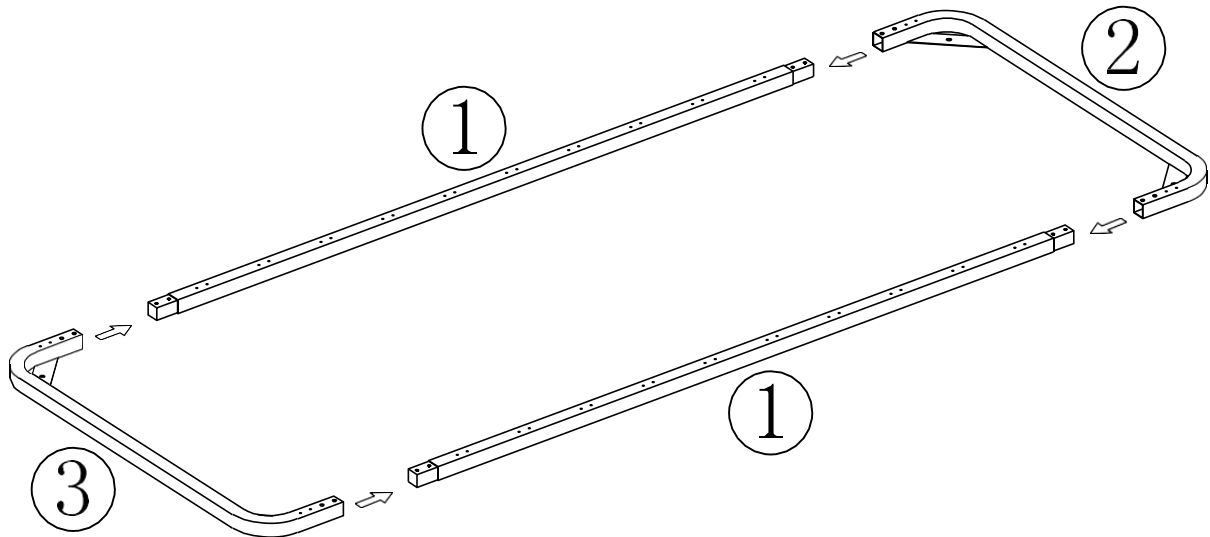
DE:Bitte beachten Sie, dass die Formen der Schrauben (A) (E) (F) und (G) . Bitte installieren Sie entsprechend der Anleitung und unterscheiden Sie sie!

UK:Please note that the shapes of screws (A) (E) (F)and (G) .Please install according to the instructions and distinguish them!

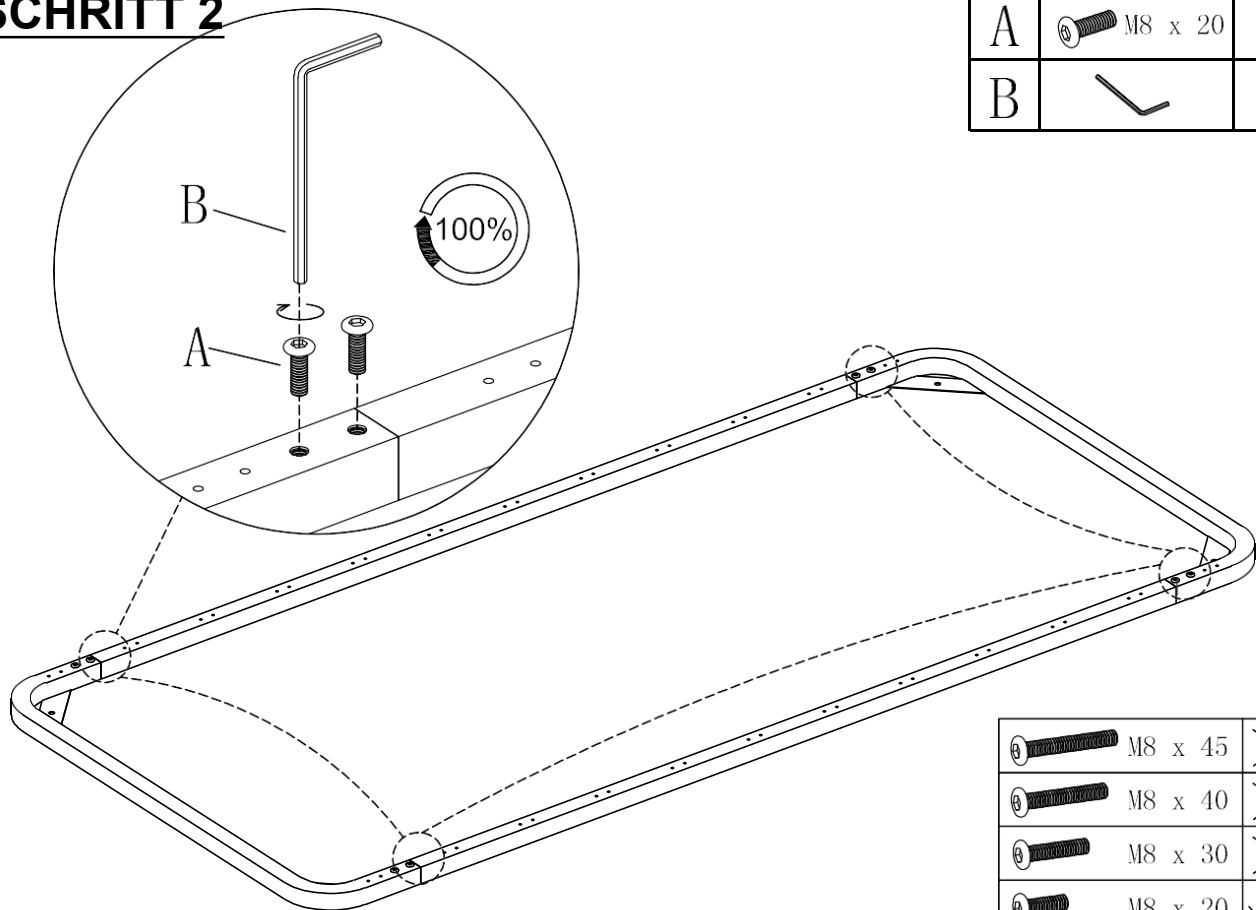
FR:Notez que les vis (A) (E) (F) et (G) ont des formes similaires. Veuillez les installer en suivant les instructions pour les séparer!

INSTALLATION STEPS

SSCHRITT 1




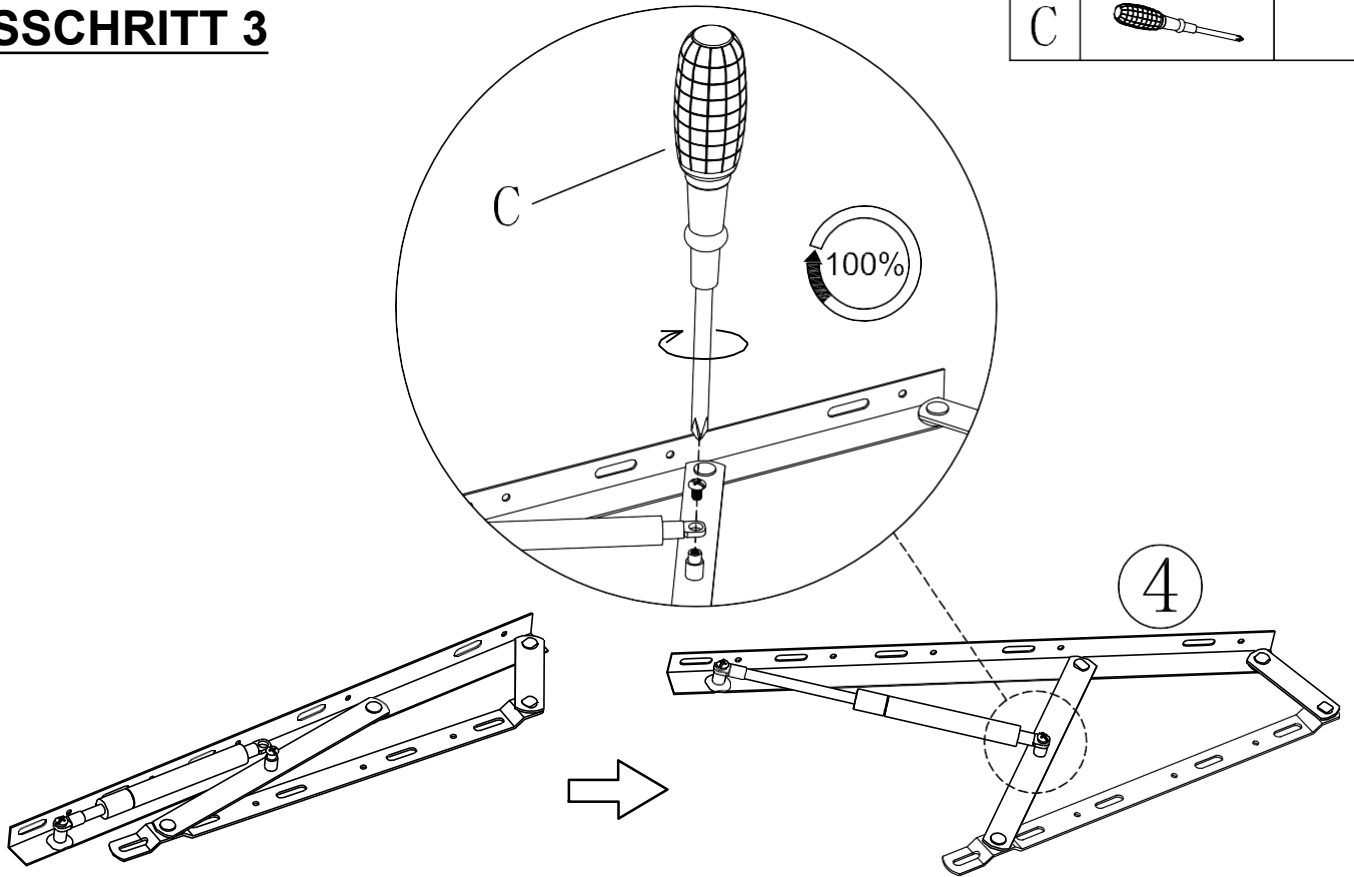
SSCHRITT 2





INSTALLATION STEPS

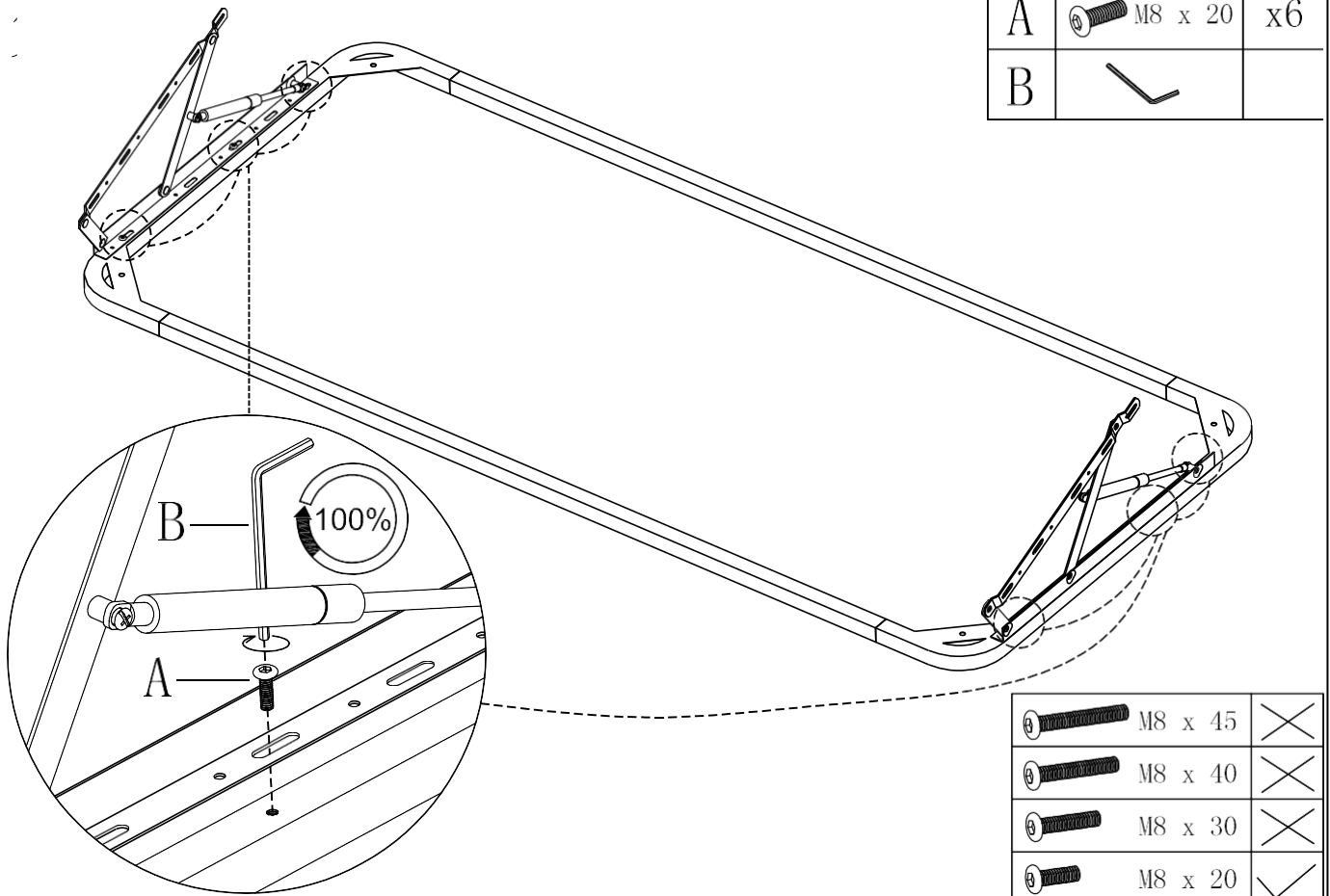
SSCHRITT 3

C		
---	---	--



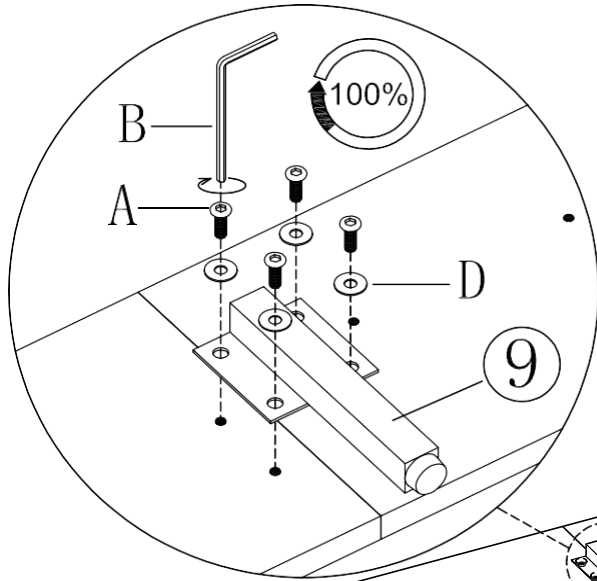
SSCHRITT 4

A	 M8 x 20	x6
B		

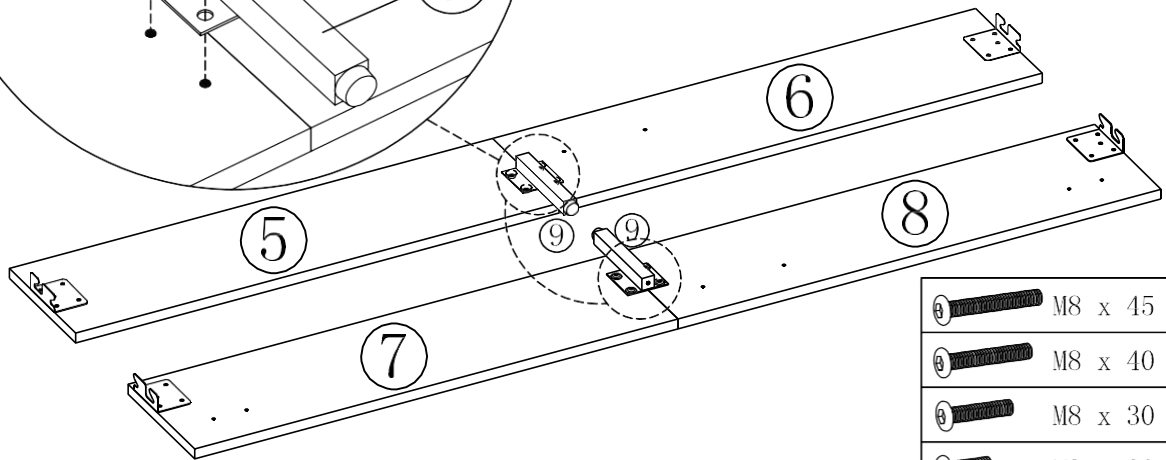


INSTALLATION STEPS

SSCHRITT 5

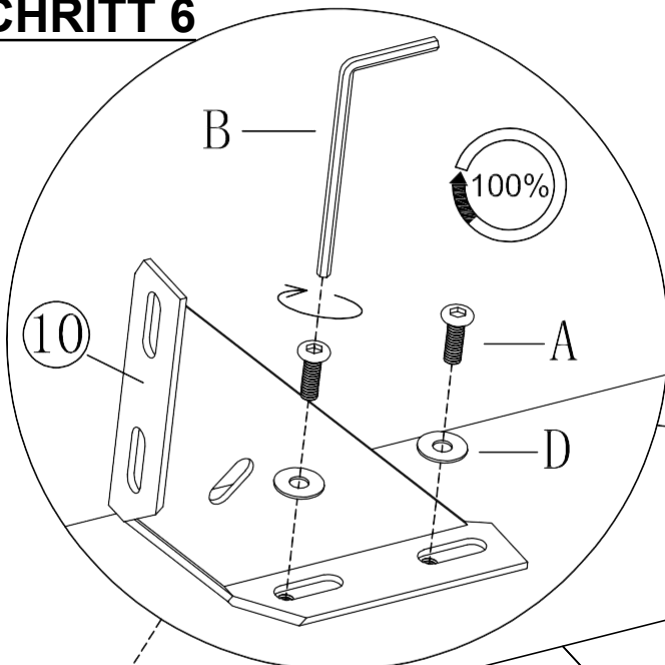


A	M8 x 20	x8
D		x8
B		

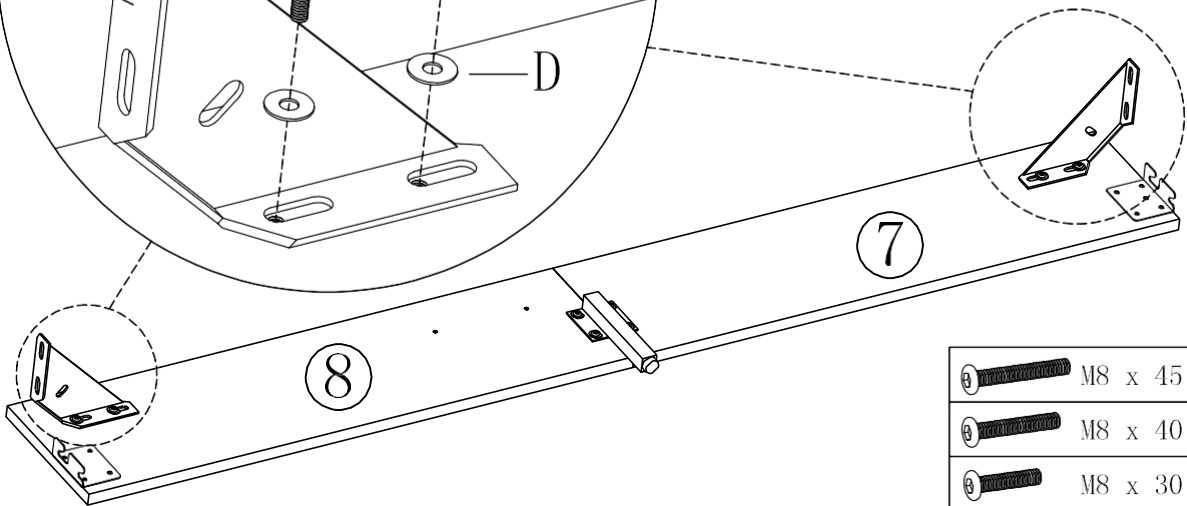


M8 x 45	<input checked="" type="checkbox"/>
M8 x 40	<input checked="" type="checkbox"/>
M8 x 30	<input checked="" type="checkbox"/>
M8 x 20	<input checked="" type="checkbox"/>

SSCHRITT 6






A	M8 x 20	x4
D		x4
B		

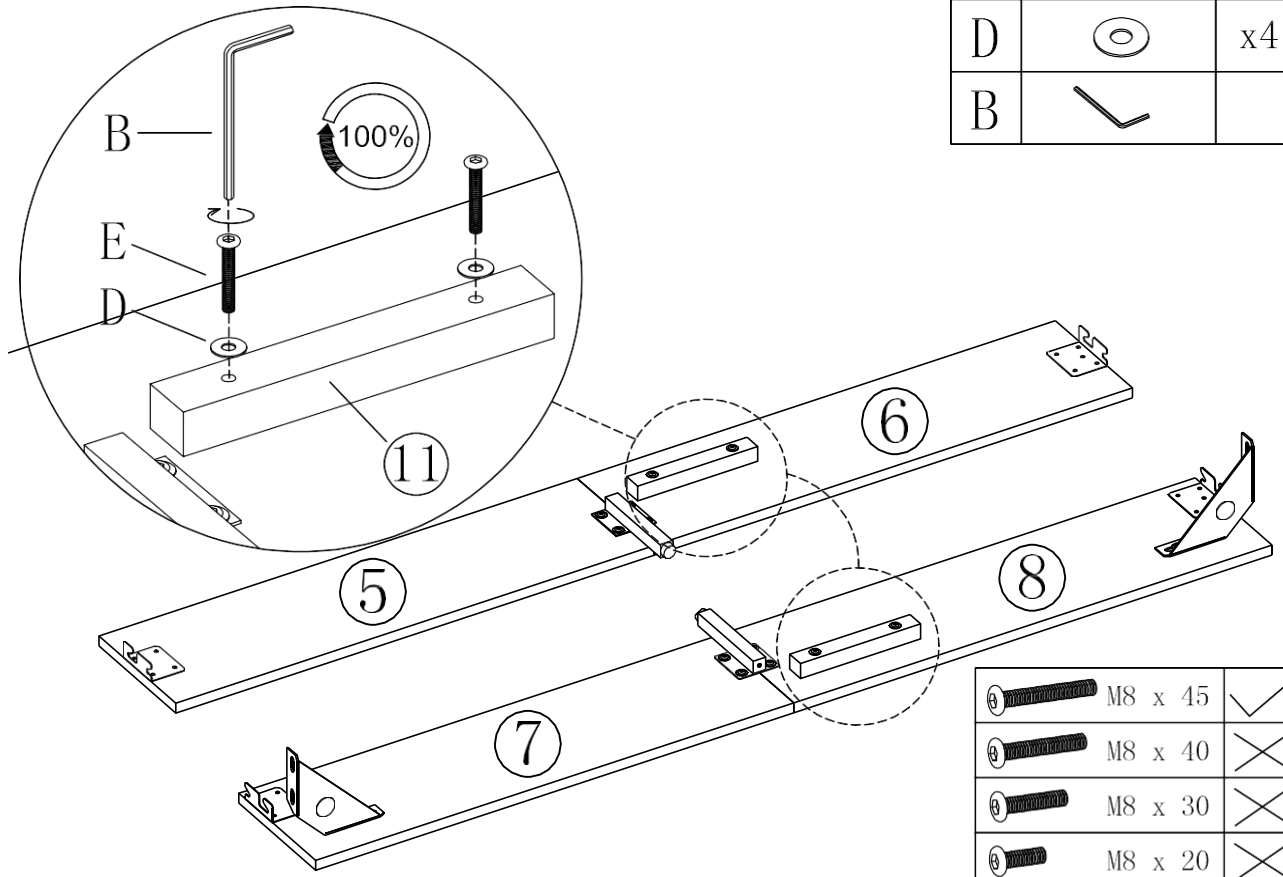


M8 x 45	<input checked="" type="checkbox"/>
M8 x 40	<input checked="" type="checkbox"/>
M8 x 30	<input checked="" type="checkbox"/>
M8 x 20	<input checked="" type="checkbox"/>

INSTALLATION STEPS

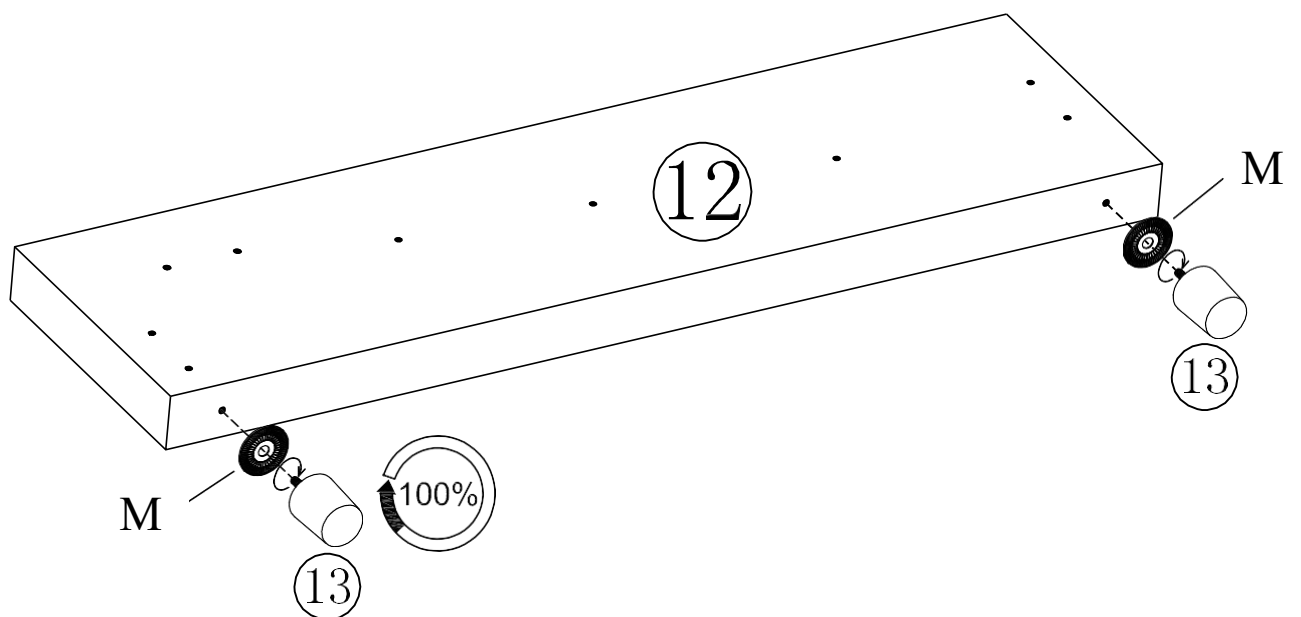
SSCHRITT 7

E	 M8 x 45	x4
D		x4
B		






SSCHRITT 8

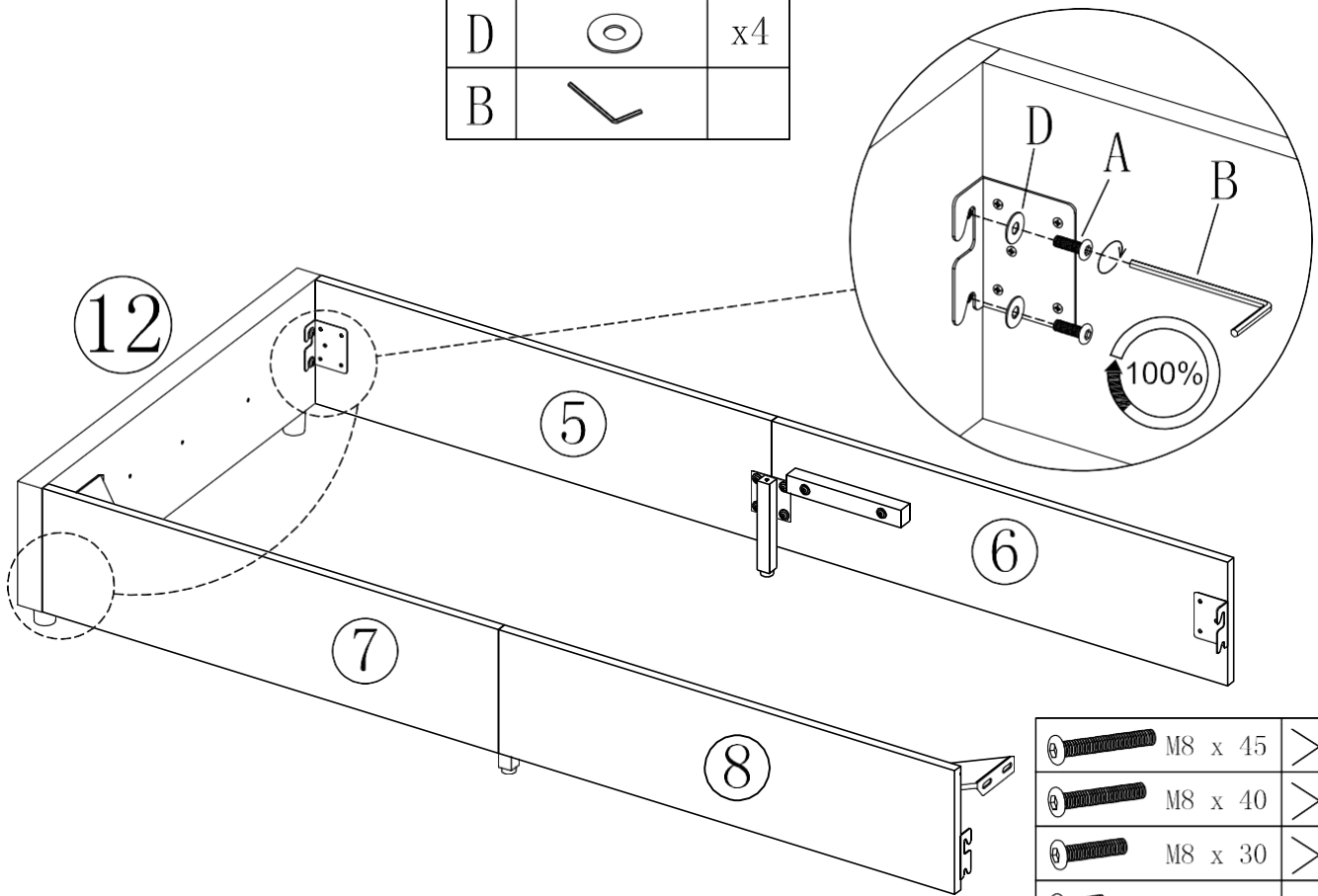
M		x2
---	---	----

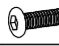
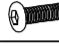




INSTALLATION STEPS




SSCHRITT 9

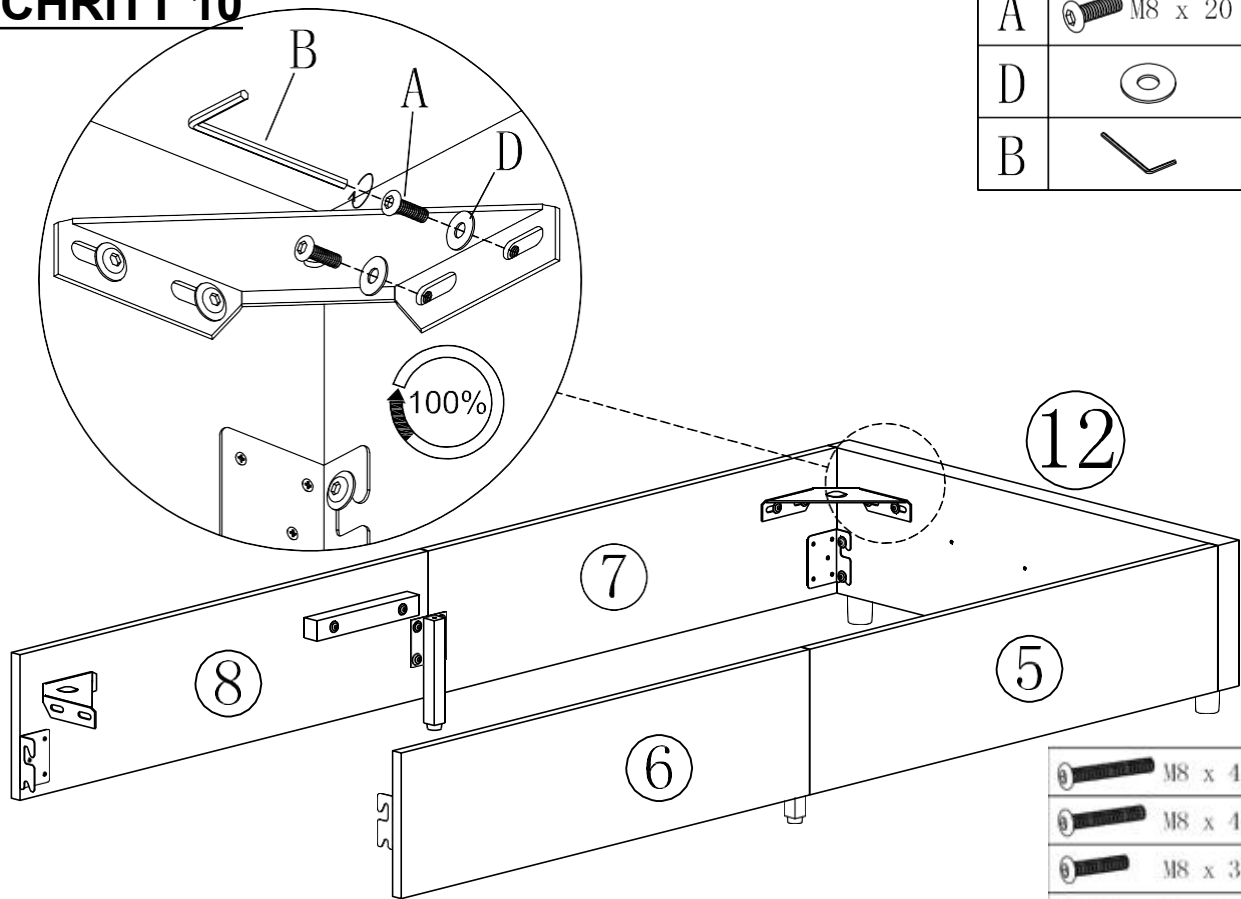
A	 M8 x 20	x4
D		x4
B		







 M8 x 45	<input type="checkbox"/>
 M8 x 40	<input type="checkbox"/>
 M8 x 30	<input type="checkbox"/>
 M8 x 20	<input checked="" type="checkbox"/>

SSCHRITT 10

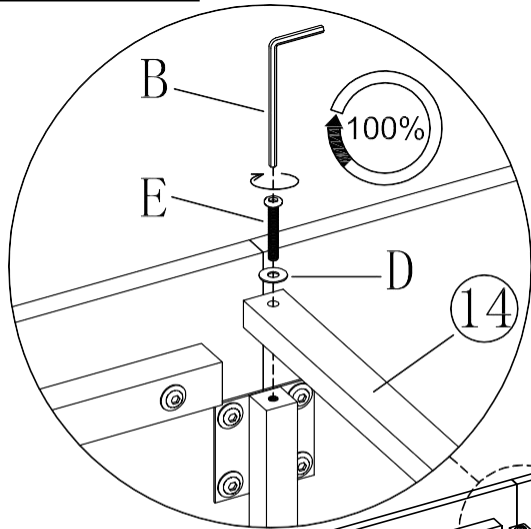
A	 M8 x 20	x2
D		x2
B		



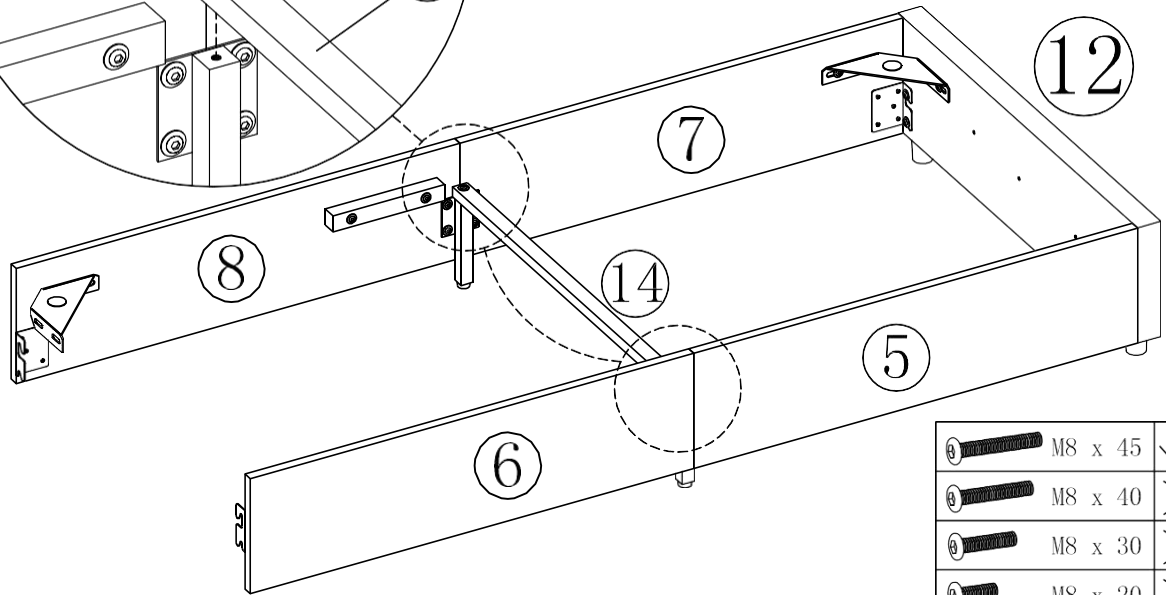
 M8 x 45	<input type="checkbox"/>
 M8 x 40	<input type="checkbox"/>
 M8 x 30	<input type="checkbox"/>
 M8 x 20	<input checked="" type="checkbox"/>

INSTALLATION STEPS

SSCHRITT 11



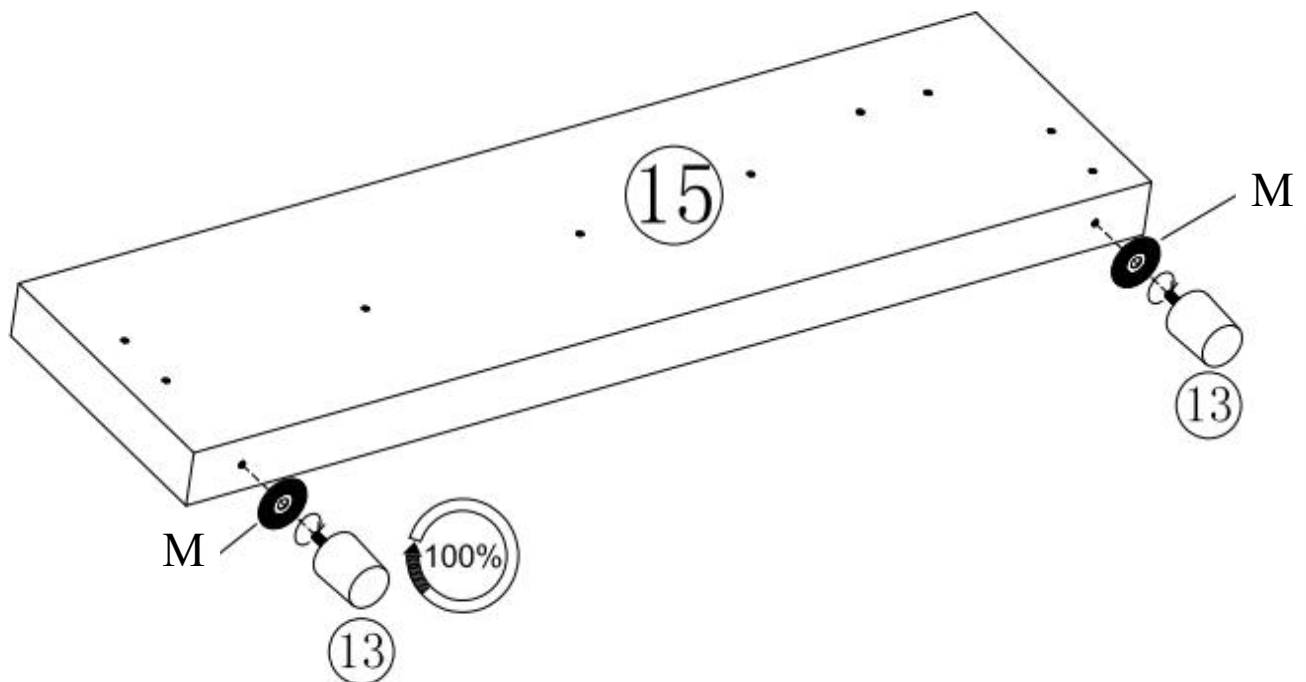
E	M8 x 45	x2
D		x2
B		



	M8 x 45	✓
	M8 x 40	✗
	M8 x 30	✗
	M8 x 20	✗




SSCHRITT 12

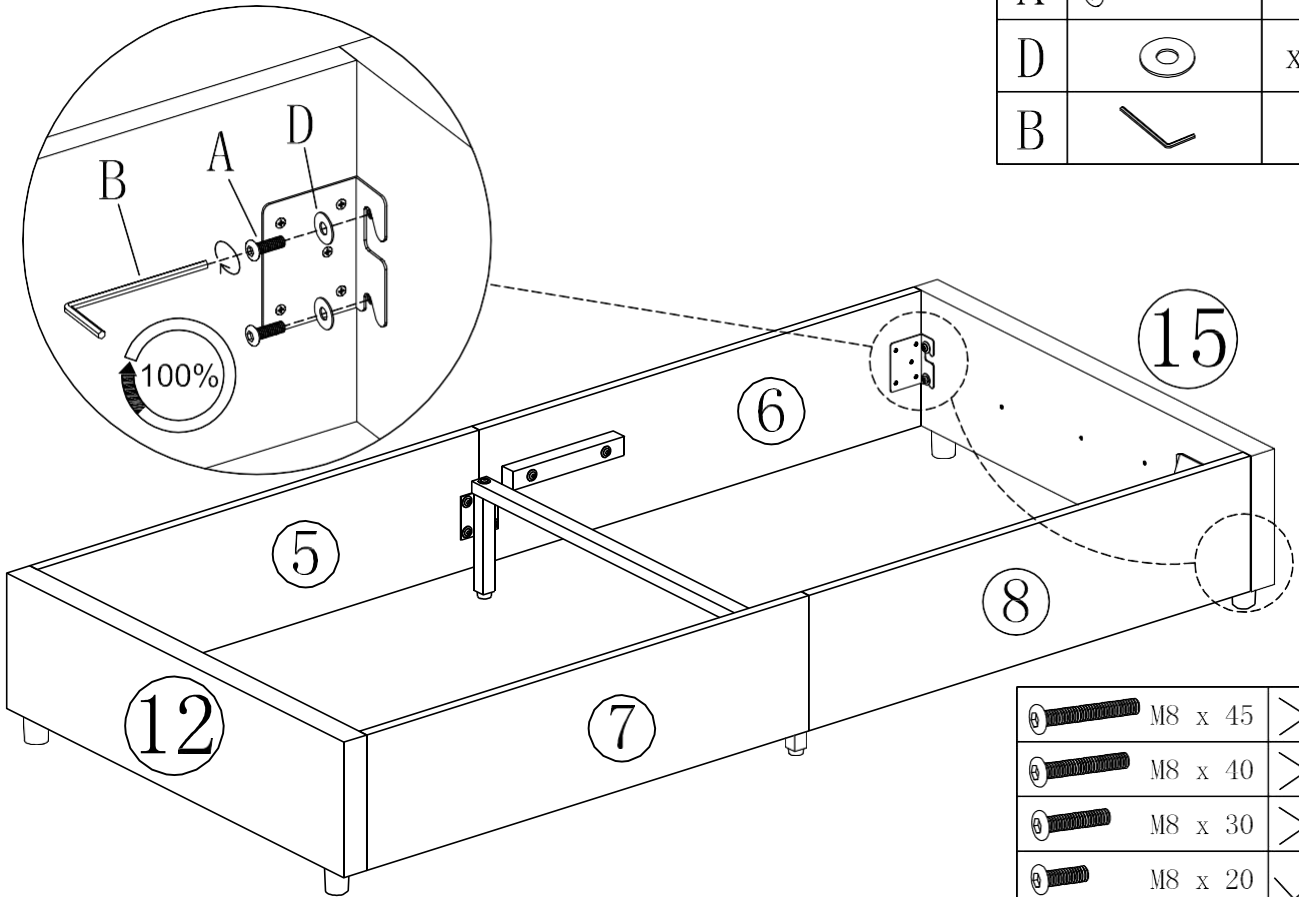
M		x2
---	--	----

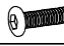
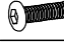




INSTALLATION STEPS





SSCHRITT 13




A	 M8 x 20	x4
D		x4
B		

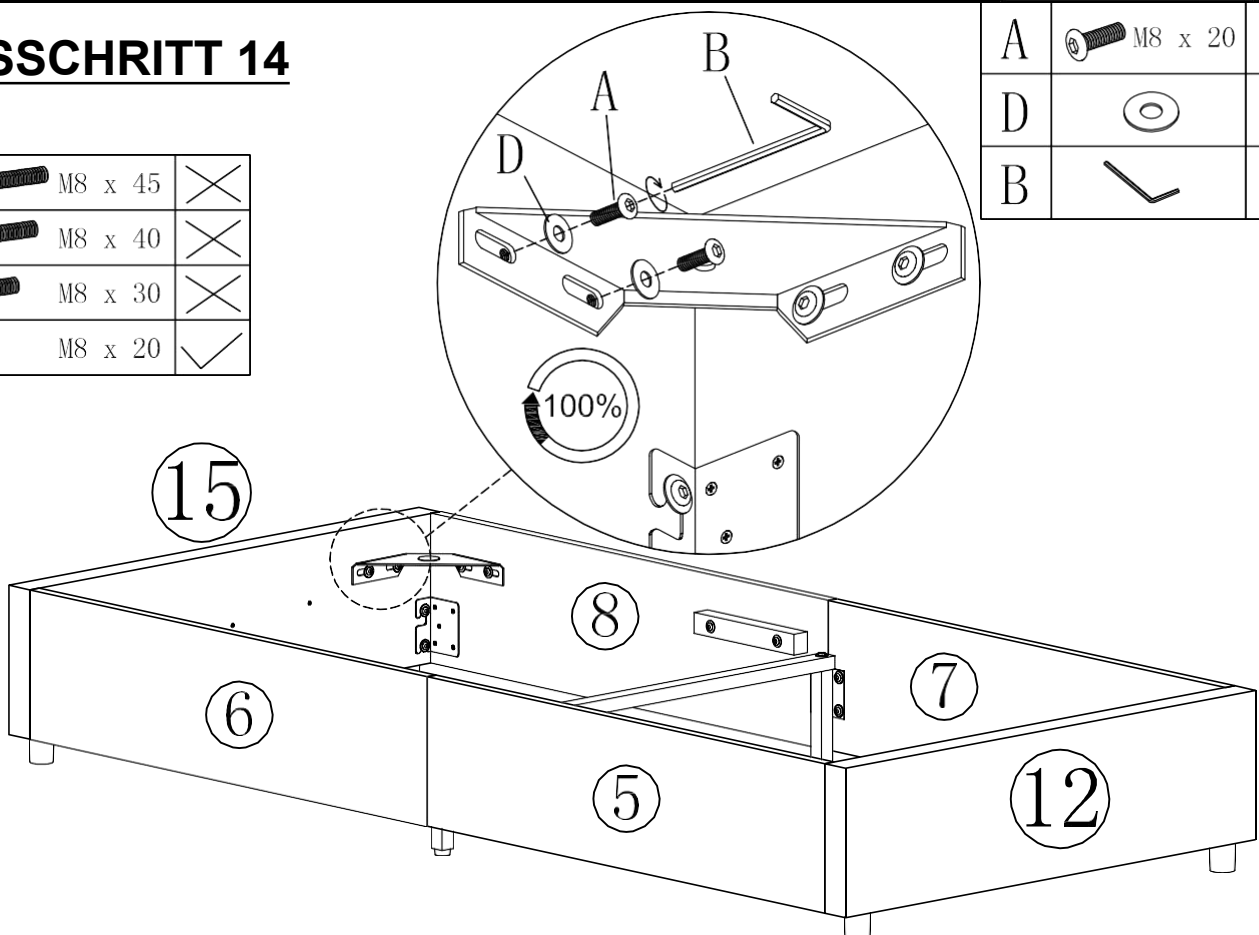


 M8 x 45	<input type="checkbox"/>
 M8 x 40	<input type="checkbox"/>
 M8 x 30	<input type="checkbox"/>
 M8 x 20	<input checked="" type="checkbox"/>

SSCHRITT 14




 M8 x 45	<input type="checkbox"/>
 M8 x 40	<input type="checkbox"/>
 M8 x 30	<input type="checkbox"/>
 M8 x 20	<input checked="" type="checkbox"/>

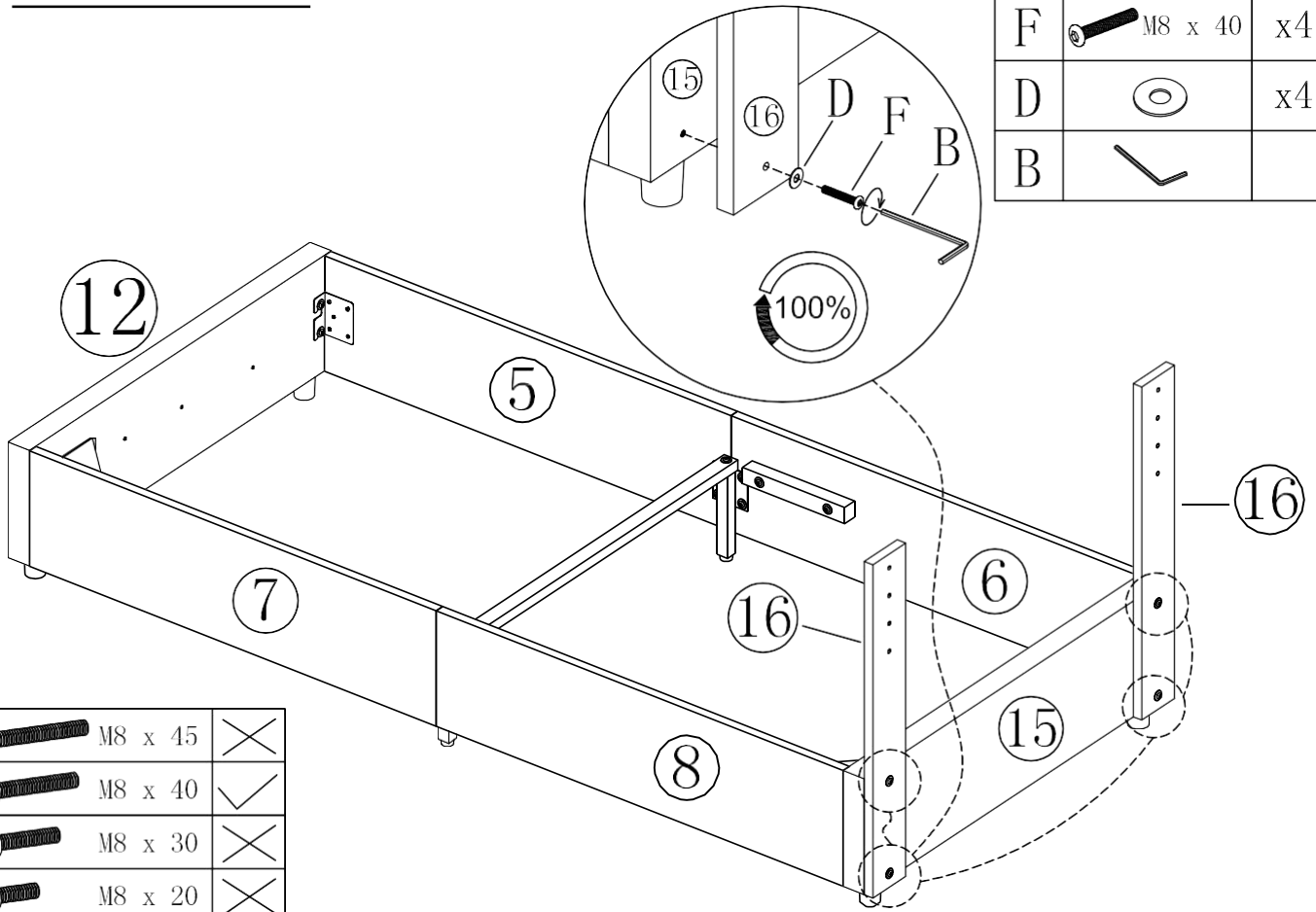
A	 M8 x 20	x2
D		x2
B		







INSTALLATION STEPS




SSCHRITT 15

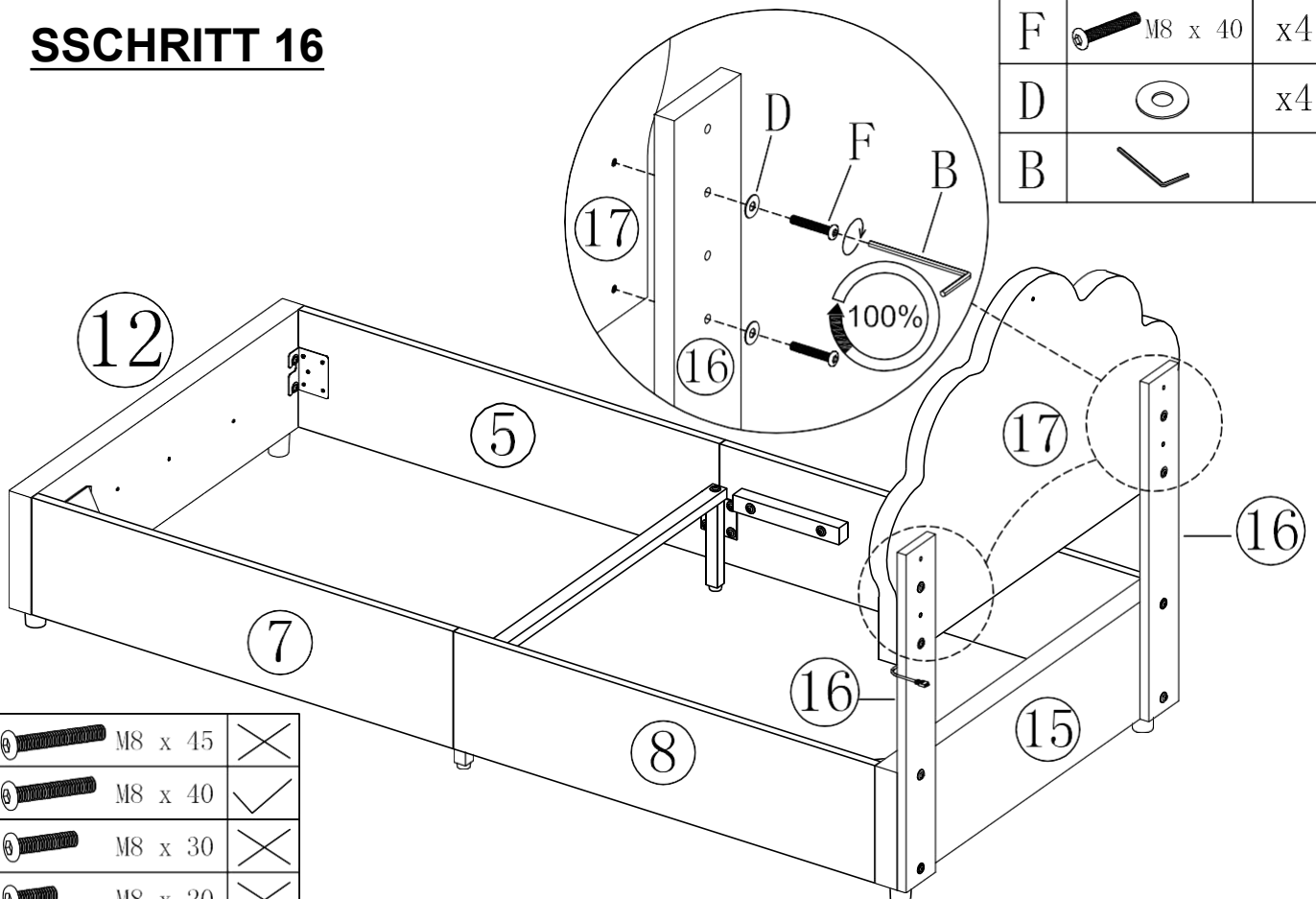
F	 M8 x 40	x4
D		x4
B		







 M8 x 45	<input type="checkbox"/>
 M8 x 40	<input checked="" type="checkbox"/>
 M8 x 30	<input type="checkbox"/>
 M8 x 20	<input type="checkbox"/>

SSCHRITT 16

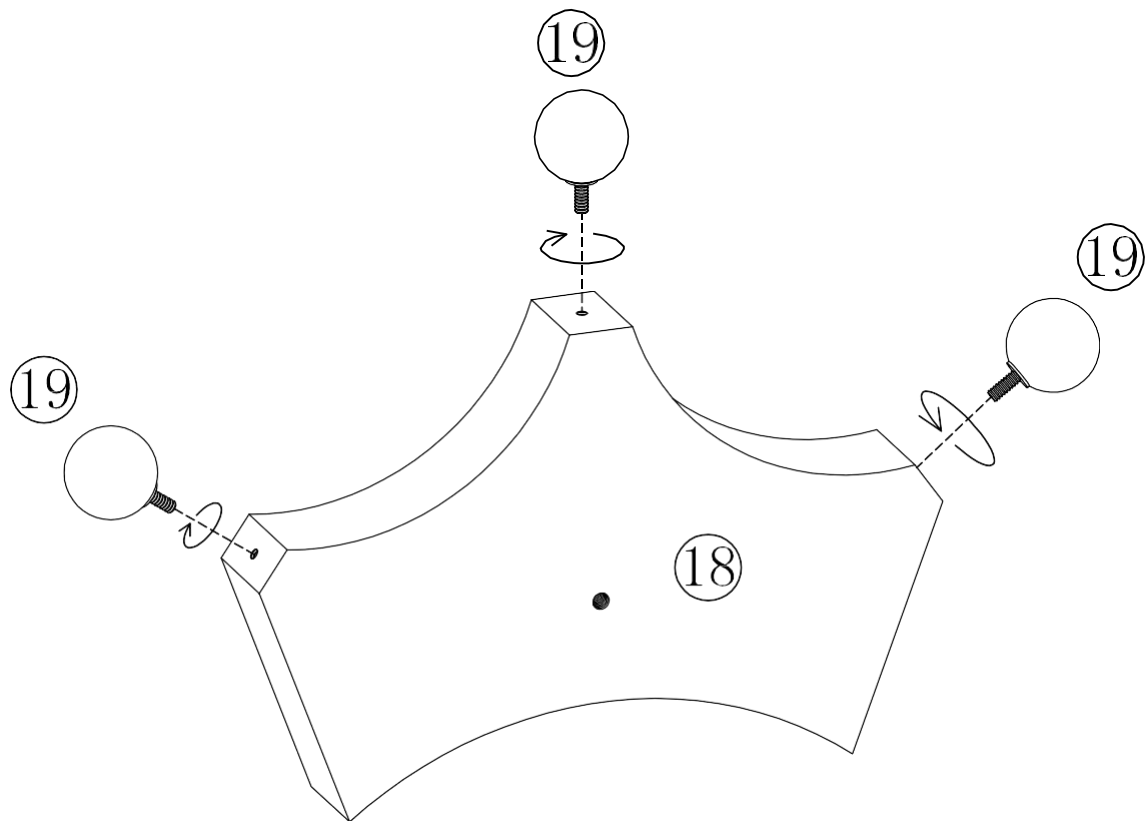
F	 M8 x 40	x4
D		x4
B		



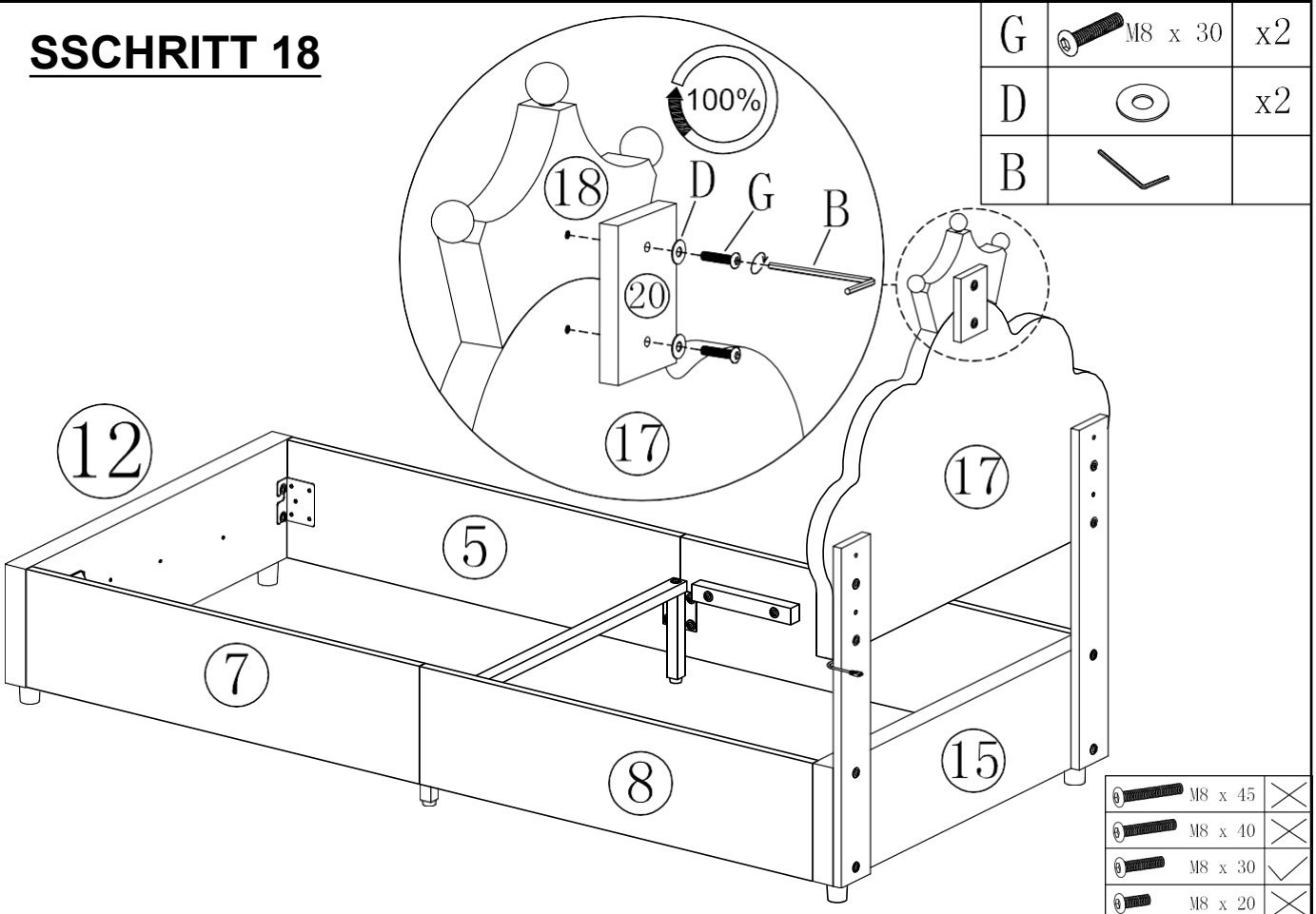
 M8 x 45	<input type="checkbox"/>
 M8 x 40	<input checked="" type="checkbox"/>
 M8 x 30	<input type="checkbox"/>
 M8 x 20	<input type="checkbox"/>

INSTALLATION STEPS

SSCHRITT 17



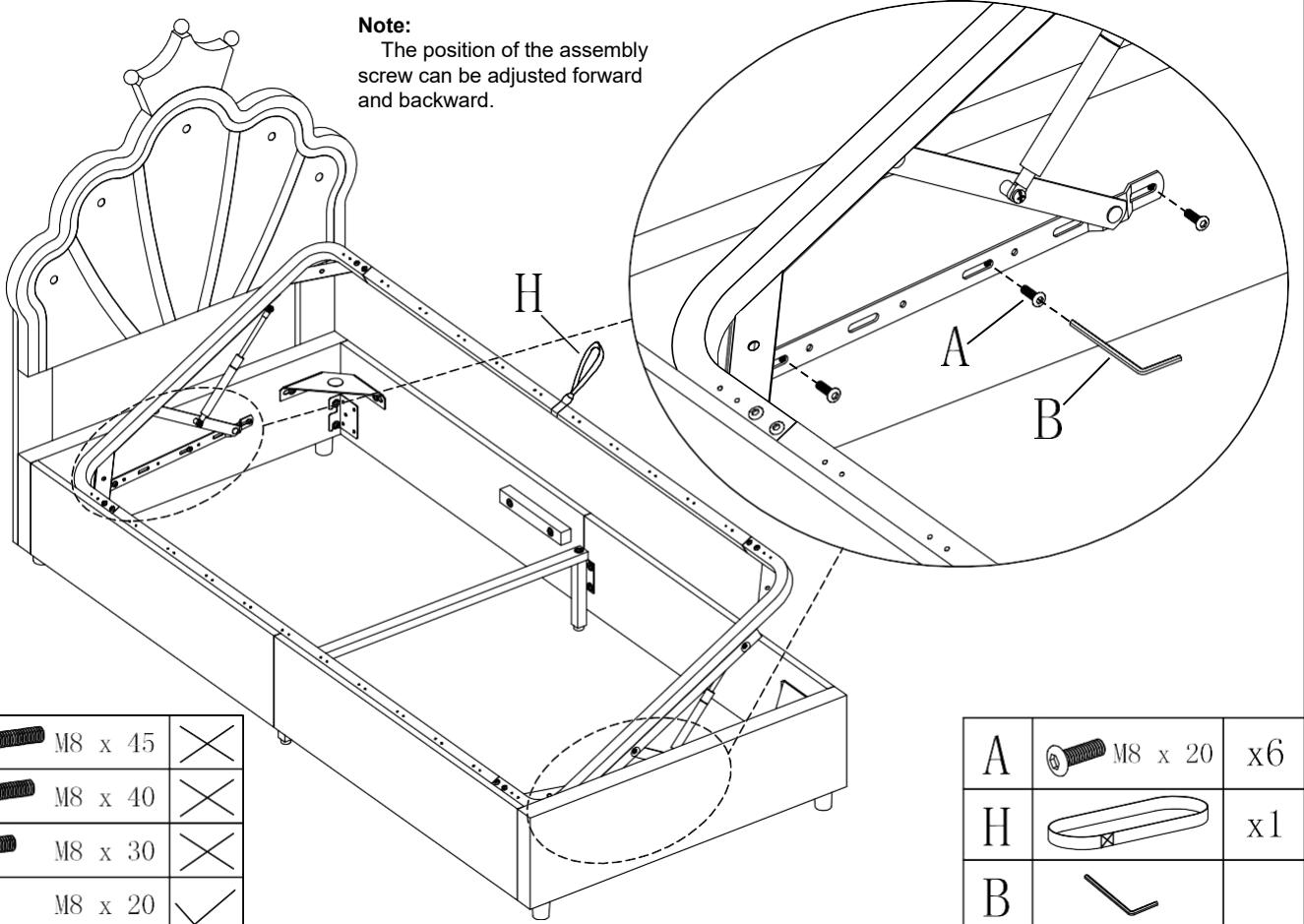
SSCHRITT 18



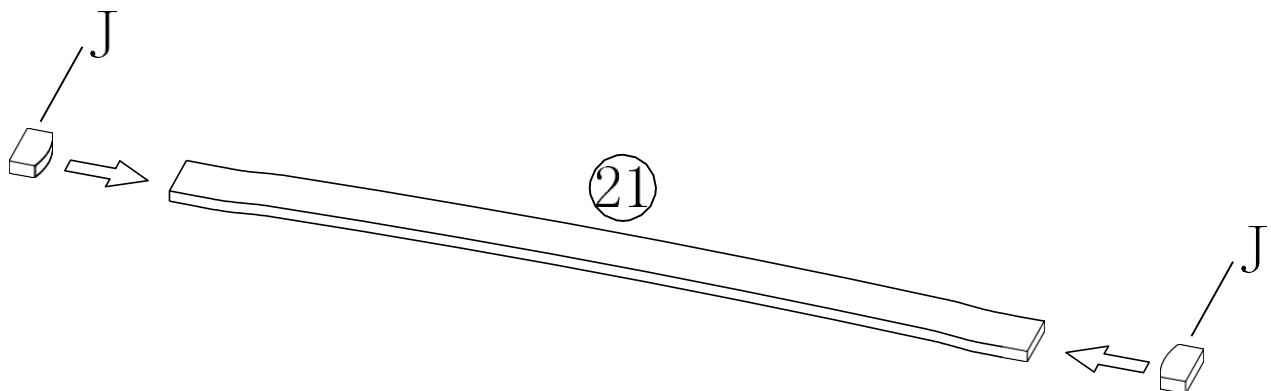
INSTALLATION STEPS

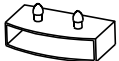
SSCHRITT 19

Note:
The position of the assembly screw can be adjusted forward and backward.

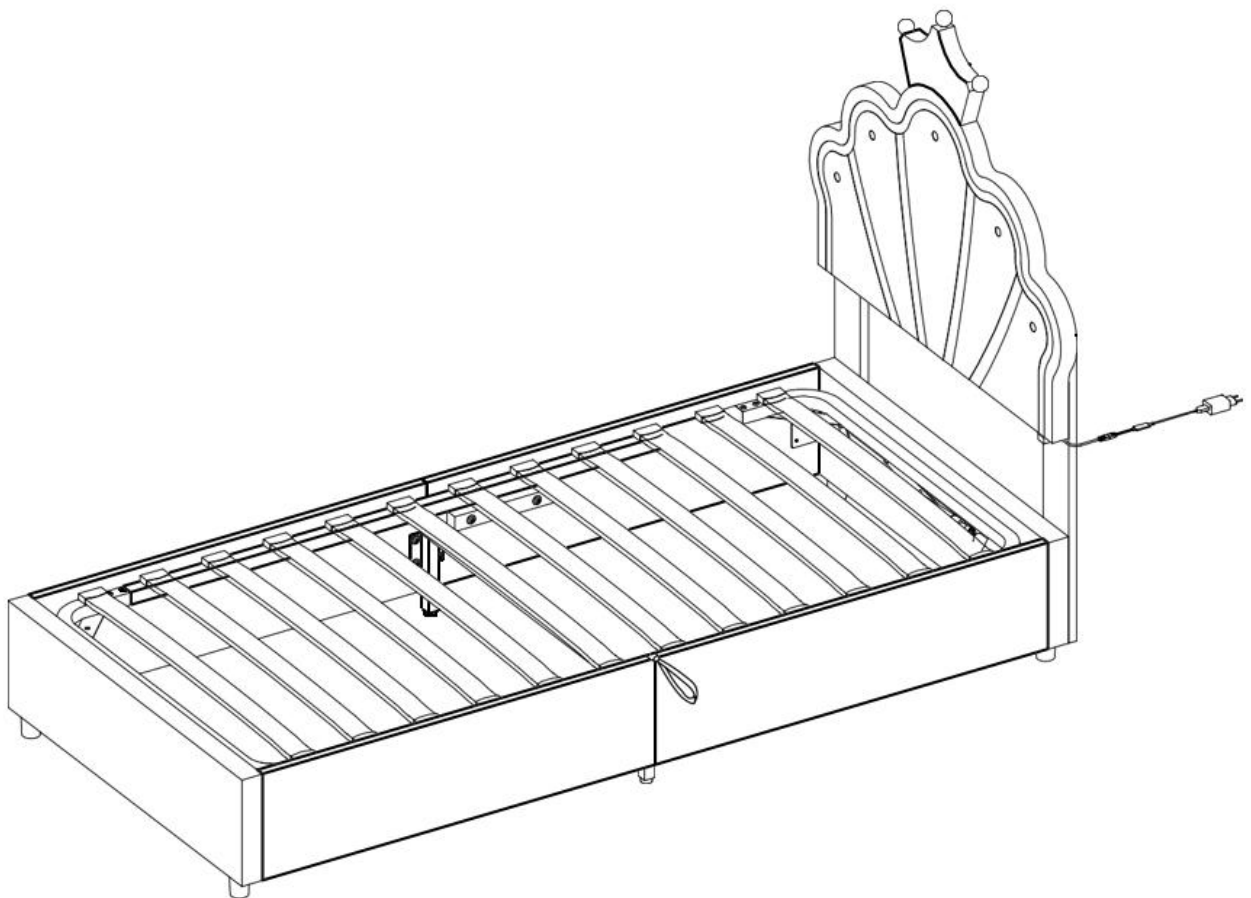


SSCHRITT 20



J		x24
---	---	-----

VOLLSTÄNDIG



LotusLantern APP Manual

1. Software Overview

1.1 Overview

LotusLantern is a mobile APP to control LED strip by both IOS and Android phones.

The traditional control ways like infrared, 433MHz, 2.4GHz and others old wired ways will be replaced by mobile phone control way with convenient, powerful and scalable features.

Through this mobile APP , you can not only control the color, brightness and color temperature of the LED strips but also set up all kinds of fancy flash mode ; Also this APP can change the light of the LED strip according to the rhythm of the music. This APP can set and control several LED strips through Bluetooth and the operation is very simple, easy to learn and easy to use.

1.2 Features

- Adjust color LED strips with 60,000 colors to change color and brightness and adjust monochrome LED strips to change brightness and color temperature
- Play music or turn on a sound playback device, you can let the light change the color and brightness with the rhythm of music, the music rhythm beautiful
- Inside multiple setting mode for color change and control LED strips without mobile
- Long distance control with omni-directional antenna, and many-to-many group control mode
- Once the connection is successful, connect automatically next time

1.3 Performance

LotusLantern APP is easy for use as well as great compatible with all kinds of smart phones; After the actual test of hundreds of mobile phones verification, the compatibility is above 95% of mobile phones in the market. APP is small and convenient, it consumes less system resources, so the requirements of the mobile configuration are low. Control delay is small, the operation feels good, light control is smooth with people's visual sense.

2. Operating Environment

This APP program requires phones of system above Andriod 4.3 and iOS 8.0. Mobile phone configuration is not limited.

3. Instructions

Note: Android version and iOS version download and use the same method, here in the Android version as an example.

3.1 APP Download

Scan the QR code

iOS and Android systems can download the "LotusLantern" APP by scanning the QR code. Open the browser or other tools with "Scan QR code" function, scan the "LotusLantern" QR code as below:

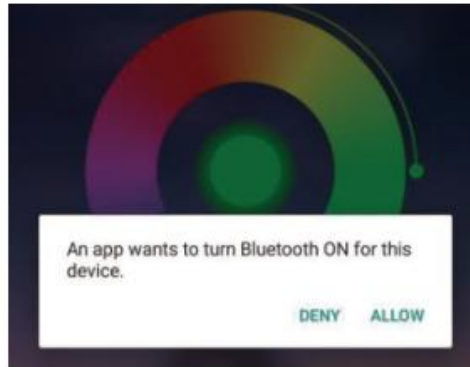


3.2 App Operation

(1) Click on the LotusLantern APP icon, enter the APP page:



(2) After entering the APP interface, if Bluetooth is not enabled, "an application wants to enable the Bluetooth function of this device." Click [Allow]



(3) switch to color and brightness interface:

Click to show the lamp list

Switch the color wheel

Display the RGB value
Click to manual adjustment view

Click to display setting view

Lamp switch button

Adjust the color

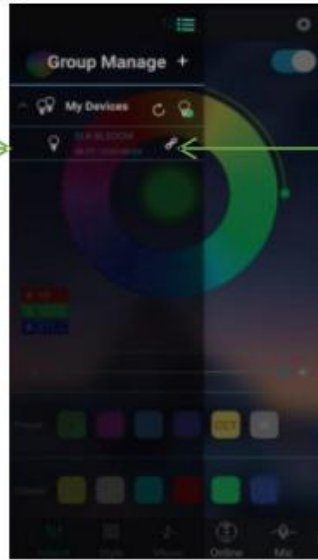
Click square icon to adjust the color

Click to shift the interface

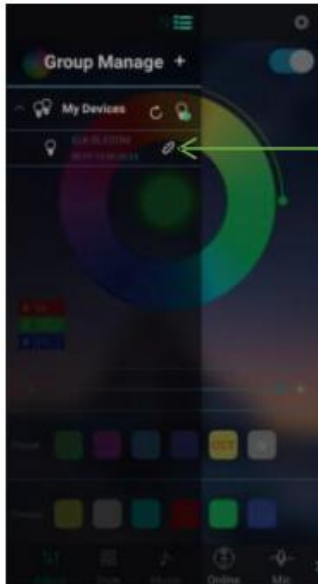
(4) click to show the lamp list, view lamp list:

Bluetooth auto connect
after search for devices

Lamp list

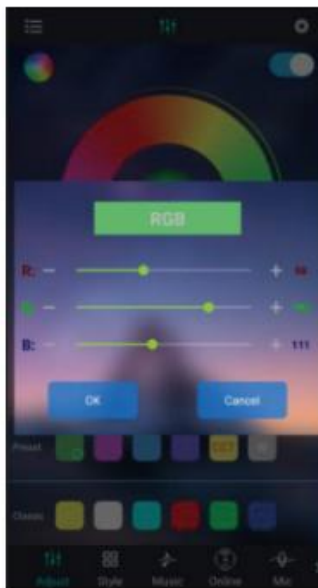


Status of device connection

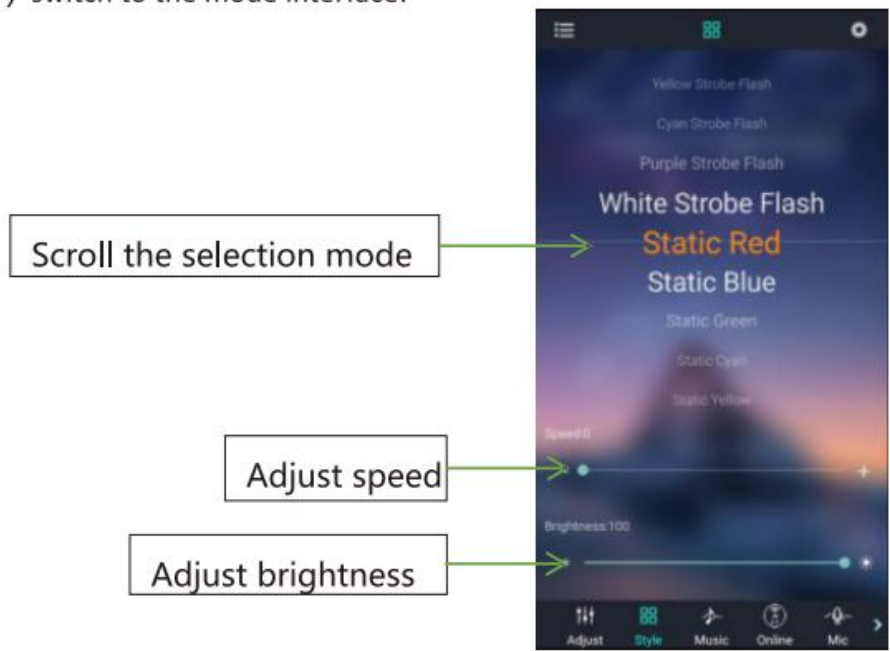


Status of device connection

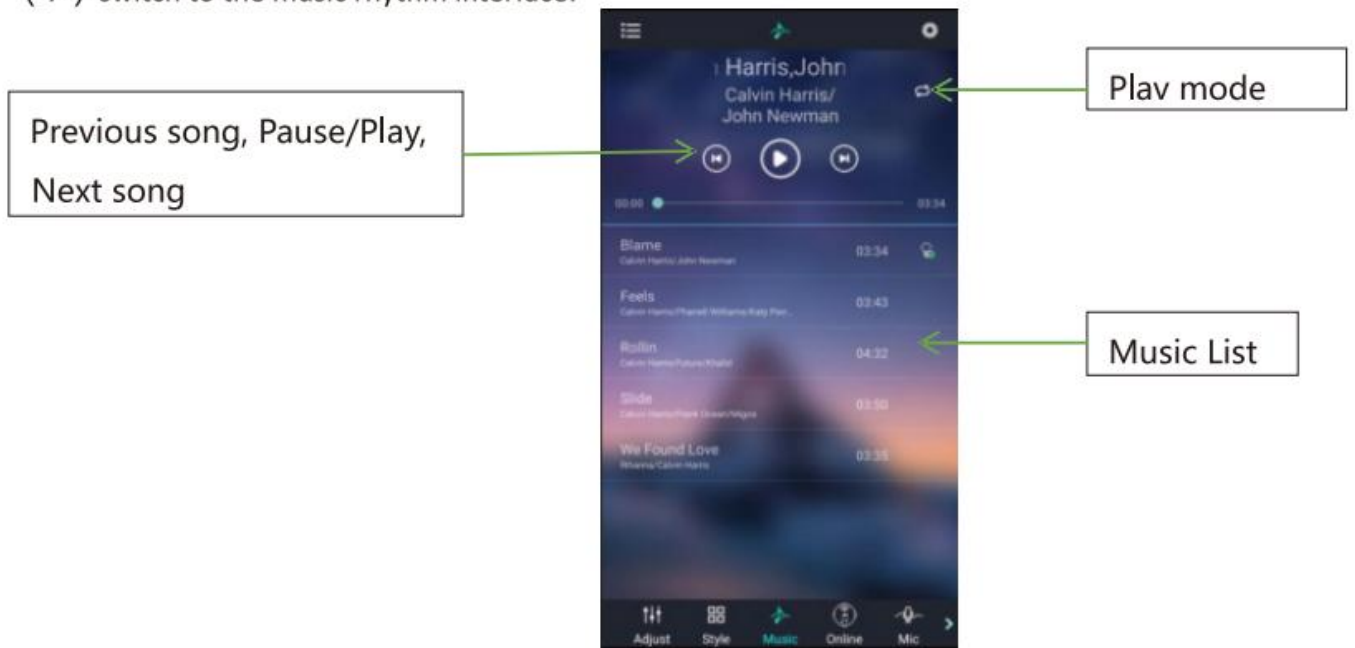
(5) Click to RGB manual adjustment view:



(6) switch to the mode interface:



(7) switch to the music rhythm interface:

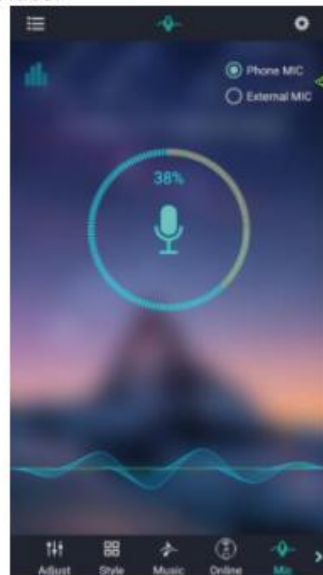


(8) Switch to the online music interface:



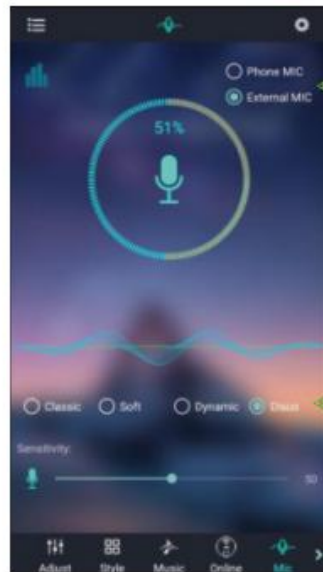
(9) Switch to the microphone rhythm interface:

Music rhythm through cell phone microphone



Switch phone microphone and external microphone

Music rhythm through the microphone on the product



Switch phone microphone and external microphone

4-style rhythm

Change the sensitivity of MIC to match the sound

(10) Switch to the schedule interface:

Set the time of Light-On

Set the time of Light-Off

Enable or disable the Light-On function

Repeat setting
No selection for once Light-On

Enable or disable the Light-Off function

Repeat setting
No selection for once Light-Off

(11) Switch to the modify pin sequence interface:

Click to save the new assignment

Change the real color of this line

Technical parameters:

Working temperature: -20-60°C (-4 F°-140 F°)

Power supply voltage: DC5-24V

Output: 3 Loops

Static power consumption: <0.5W

Output current: <3A(each circuit)5V <30W 12V<108 24V<21 6W

CERTIFICATE OF CONFORMITY

Certificate No.: KEYS23101138001EM-02

Applicant : Shenzhen Jiecheng Technology Co., Ltd
Address : South side of 4th floor, Building B, Sanmin Industrial Park,
Shuitian Community, Shiyan Street, Bao'an District, Shenzhen
Manufacturer : Shenzhen Jiecheng Technology Co., Ltd
Address : South side of 4th floor, Building B, Sanmin Industrial Park,
Shuitian Community, Shiyan Street, Bao'an District, Shenzhen
Trade mark : N/A
Product : LED light strip
Model No. : 5050-12V-60D-QC5 (Additional models see model list)

EMC Directive - 2014/30/EU

The standard(s) used for showing compliance with the essential requirements:

Applicable Standard(s) EN IEC 55015:2019+A11:2020
EN 61547:2009
EN IEC 61000-3-2:2019AMD.1:2021
EN 61000-3-3:2013+A1:2019+A2:2021

This certificate is part of the full test report(s) and should be read in conjunction with the test report: KEYS23101138001EM-02.

This certificate is based on an evaluation of one sample of above mentioned product. It does not imply assessment of the production of the product. Without the written approval of Guangdong KEYS Testing Technology Co., Ltd., this certificate is not permitted to be reproduced, except in full. It is not permitted to use the test lab's logo. The CE marking may only be used if all the relevant and effective European Directives are applicable.



Jason Zhan
Manager
Date: October 19, 2023

Guangdong KEYS Testing Technology Co., Ltd.

6 / f, Building B, Chuangyigu Industrial Park, No.5 Hehe Street, Songxi Road, Hengkeng, Liaobu, Dongguan City
Tel: + 86-0769-89798319
<http://www.keys-lab.com> E-mail: info@keys-lab.com

CERTIFICATE OF CONFORMITY

Certificate No.: KEYS23101138001LD-01

Model list:

Model	Rated current(Max. A)	Rated Power(Max. W)	Lenth (m)
5050-12V-30D-QC6	0.80	9.7	6
5050-12V-30D-QC5	0.79	9.6	5
5050-12V-30D-QC4.5	0.78	9.5	4.5
5050-12V-30D-QC4	0.77	9.3	4
5050-12V-30D-QC3.5	0.75	9.1	3.5
5050-12V-30D-QC3	0.722	8.67	3
5050-12V-30D-QC2.5	0.68	8.16	2.5
5050-12V-30D-QC2	0.62	7.43	2
5050-12V-30D-QC1.5	0.535	6.42	1.5
5050-12V-30D-QC1	0.41	4.98	1
5050-12V-60D-QC5	1.58	19	5
5050-12V-60D-QC4	1.51	18	4
5050-12V-60D-QC3	1.38	16.6	3
5050-12V-60D-QC2	1.15	13.8	2
5050-12V-60D-QC1	0.74	8.98	1
5050-5V-30D-QC5	0.66	3.36	5
5050-5V-30D-QC4	0.65	3.3	4
5050-5V-30D-QC3	0.64	3.24	3
5050-5V-30D-QC2	0.58	2.97	2
5050-5V-30D-QC1.5	0.52	2.67	1.5
5050-5V-30D-QC1.3	0.49	2.47	1.3
5050-5V-30D-QC1.2	0.47	2.39	1.2
5050-5V-30D-QC1.1	0.44	2.27	1.1
5050-5V-30D-QC1	0.42	2.14	1
5050-5V-30D-QC0.7	0.33	1.69	0.7
5050-5V-30D-QC0.5	0.25	1.28	0.5
5050-5V-30D-QC0.4	0.21	1.08	0.4
5050-5V-60D-QC5	0.32	6.7	5
5050-5V-60D-QC0.4	1.3	6.6	4
5050-12V-30D-HC5	0.28	6.4	3
5050-12V-30D-HC4	1.16	5.91	2
5050-12V-30D-HC3	1.04	5.34	1.5
5050-12V-30D-HC2	0.98	4.94	1.3
5050-12V-30D-HC1	0.84	4.27	1
5050-12V-60D-HC5	0.65	3.37	0.7
5050-12V-60D-HC4	0.51	2.41	0.5
5050-12V-60D-HC3	0.42	2.16	0.4
5050-12V-60D-HC2	1.13	14.1	5
5050-12V-60D-HC1	1.0	13	4

Guangdong KEYS Testing Technology Co., Ltd.

6 / f, Building B, Chuangyigu Industrial Park, No.5 Hehe Street, Songxi Road, Hengkeng, Liaobu, Dongguan City

Tel: + 86-0769-89798319

<http://www.keys-lab.com> E-mail: info@keys-lab.com

Page 2 of 2



CERTIFICATE OF CONFORMITY

Low Voltage Directive 2014/35/EU

This Certificate of Conformity is hereby issued to the product designated below:

Certificate No...... : 23SP06164L01
Report No...... : SP2306164L01
Date Issue. : 2023-10-20
Applicant's name : SHENZHEN SUNSHINE TECHNOLOGICAL CO., LTD
Address..... : Room 101, Unit 3, No. 15, Dinghou Road, Dongfang Community,
Songgang Street, Baoan District, Shenzhen,China.
Manufacturer's name : Same as Applicant
Address..... : Same as Applicant
Product Description..... : AC/DC ADAPTER, Switching Power Supply
Model(s)/Type References : XSC-aaabbbxyyz (aaa, bbbb, x, yy and z are variable, See table A on
next page for details)
Parameters..... : Input: 100-240Vac, 50/60Hz, 0.4A Max
Output: See table B on next page for details
Standard(s) : EN IEC 62368-1:2020/A11:2020

On the basis of the referenced test report(s), sample(s) tested of the above product have been found to comply with the standards harmonized with the directives listed on this verification at the time the tests were carried out. Other standards and Directives may be relevant to the product. This verification is part of the full test report(s) and should be read in conjunction with it(them).

Once compliance with all product relevant CE mark directives are verified, including any relevant e.g. risk assessment and production control, the manufacturer may indicate compliance by signing a Declaration of Conformity themselves and applying the mark to products identical to the tested sample(s).

Approved By




Eric Liu
Director of engineering department

Dongguan Pubiao Testing Technology Co., Ltd.

No. 3, 1/F., Building A, No.30, Minghua Road, Juzhou, Shijie, Dongguan, Guangdong, China.

Tel: +86 769 81813516 E-mail: service@pubiaotest.com Web: www.pubiaotest.com



CERTIFICATE OF CONFORMITY

Low Voltage Directive 2014/35/EU

Appendix of Certificate No.: 23SP06164L01

Table A: Definition of variables

Variable	Range of variable	Content
aaa	030-240	3 digits code indicate output voltage range from 3.0-24.0VDC, the rising step is 0.1V, e.g.: 030=3.0VDC, 240=24.0VDC.
bbbb	0010-2100	4 digits code indicate output current range from 0.01A-2.1A, the rising step is 0.01A, e.g.: 0010=0.01A, 2100=2.1A.
x	N, A, B, L, D	N denotes direct plug-in horizontal enclosure A denotes direct inserted large shell B denotes direct inserted small shell L denotes Lateral insertion plug-in enclosure D denotes with detachable enclosure
yy	EU, UK, EX	EU means Europe plug; UK means Britain plug; EX means Detachable plug for different countries
z	U, C or Blank	U represent output interface type is USB; C represent output interface type is TYPE-C; Blank represent output interface type is DC wire for N & L & D enclosure.

Table B: Model list and output rating

Model	Output voltage (Vdc)	Output current (A)	Max. Power (W)	Transformer
XSC-aaabbbbxyyz	3.0-5.0	0.001-2.100	10.5	
	5.1-12.0	0.001-2.000	12	
	12.1-24.0	0.001-1.000	12	

Dongguan PuBiao Testing Technology Co., Ltd.

No. 3, 1/F., Building A, No.30, Minghua Road, Juzhou, Shijie, Dongguan, Guangdong, China.

Tel: +86 769 81813516 E-mail: service@pubiaotest.com Web: www.pubiaotest.com

