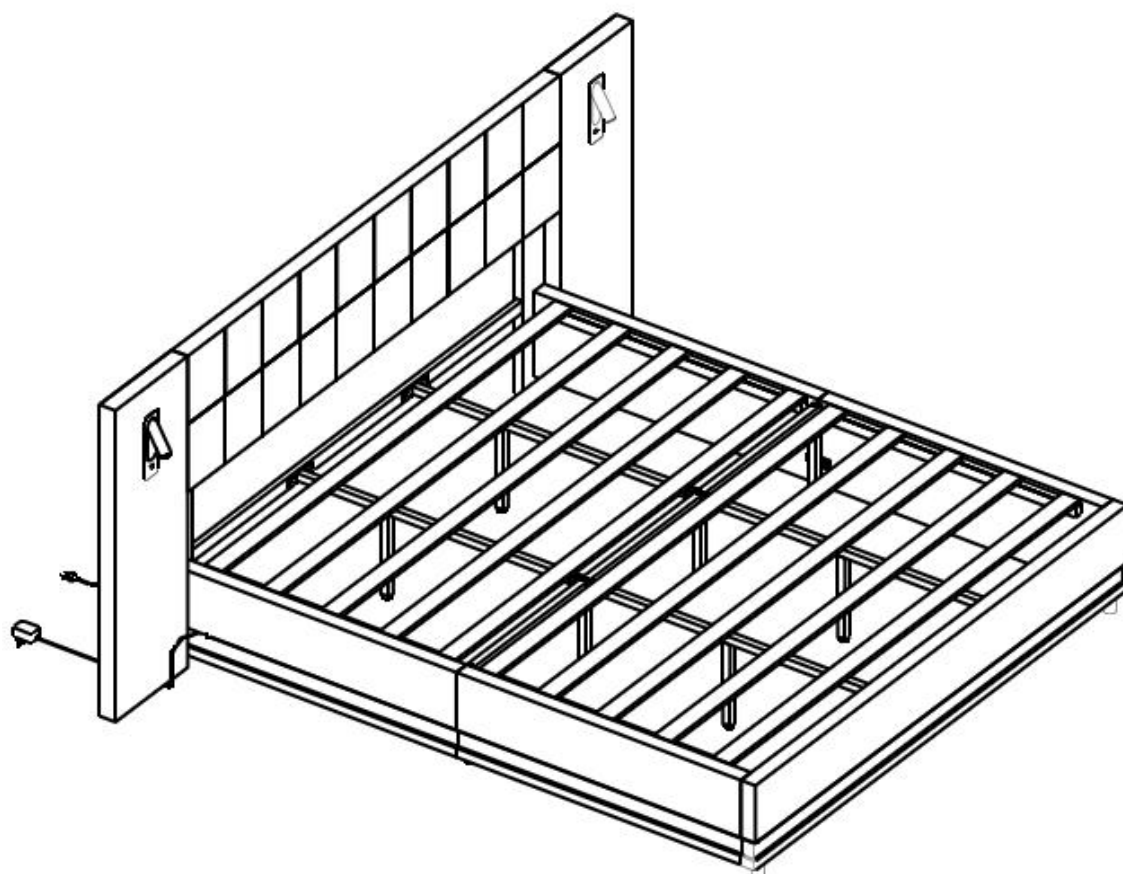


Installation sanleitung Installation Instruction Installation d'installation

SKU NUMBER: N636P312725 N636P312726 N636P312727

Bett 180 x 200CM



DE: Unser Produkt wird Ihnen in 3 Paketen geliefert. Die Lieferzeiten dieser 3 Pakete können abweichen, bitte haben Sie etwas Geduld und vielen Dank für Ihr Verständnis.

UK: Our product will be delivered to you in 3 packages. The delivery times of these 3 packages may differ, please be patient and thank you for your understanding.

FR: Notre produit vous sera livré en 3 colis. Les délais de livraison de ces 3 colis peuvent différer, soyez patient et merci pour votre compréhension.

English

IMPORTANT ! KEEP FOR FUTURE REFERENCE : READ CAREFULLY

- To be assembled by an adult. Assembly must be checked by an adult before use
- WARNING ! Keep all screws, small parts and plastic bags out of the reach of children
- Properly identify all parts before assembling
- Never use your item if any of its parts are broken or missing
- Should any problems arise, please contact our After Sales Service
- Manufacturer's instructions shall be followed at all times
- Care: Clean with a soft, dry cloth. In case of larger stains, carefully rub with a slightly damp, non-abrasive sponge
- Avoid the risk of fire by not placing furniture near sources of ignition or hot items
- Do not jump on the bed

Deutsch

WICHTIG ! ZUM SPÄTEREN NACHSCHLAGEN AUFBEWAHREN: SORGFÄLTIG LESEN

- Muss von einem Erwachsenen zusammengebaut werden. Der Zusammenbau muss vor dem Gebrauch von einem Erwachsenen überprüft werden
- WARNUNG! Bewahren Sie alle Schrauben, Kleinteile und Plastikbeutel außerhalb der Reichweite von Kindern auf
- Kennzeichnen Sie vor dem Zusammenbau alle Teile richtig
- Benutzen Sie Ihren Artikel niemals, wenn Teile gebrochen sind oder fehlen
- Sollten Probleme auftreten, wenden Sie sich bitte an unseren Kundendienst
- Die Anweisungen des Herstellers sind stets zu befolgen
- Pflege: Mit einem weichen, trockenen Tuch reinigen. Bei größeren Flecken vorsichtig mit einem leicht feuchten, nicht scheuernden Schwamm abreiben. nicht scheuernden Schwamm
- Vermeiden Sie die Gefahr eines Brandes, indem Sie die Möbel nicht in der Nähe von Zündquellen oder heißen Gegenständen aufstellen
- Nicht auf das Bett springen

Français

IMPORTANT ! CONSERVER POUR RÉFÉRENCE ULTÉRIEURE : LIRE ATTENTIVEMENT

- Le montage doit être effectué par un adulte. Le montage doit être vérifié par un adulte avant Utilisation
- ATTENTION ! Tenir les vis, les petites pièces et les sachets en plastique hors de portée des enfants
- Identifiez correctement toutes les pièces avant de les assembler
- N'utilisez jamais votre article si l'une de ses pièces est cassée ou manquante
- En cas de problème, veuillez contacter notre service après-vente
- Les instructions du fabricant doivent être respectées à tout moment
- Entretien : nettoyer avec un chiffon doux et sec. En cas de taches plus importantes, frotter soigneusement avec une éponge non abrasive légèrement humide. légèrement humide et non Abrasive
- Évitez les risques d'incendie en ne plaçant pas les meubles à proximité de sources d'inflammation ou d'objets chauds
- Ne pas sauter sur le lit

Italiano

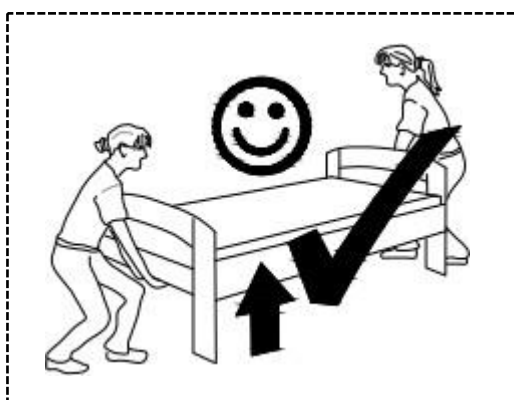
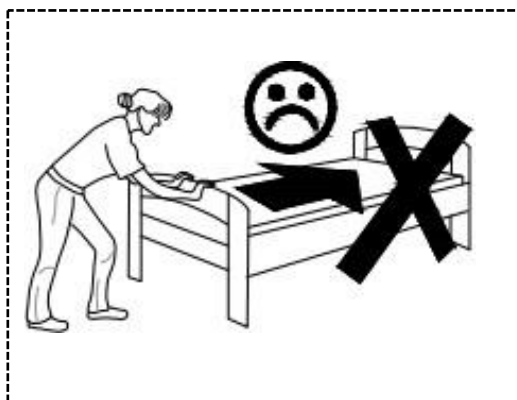
IMPORTANTE! CONSERVARE PER RIFERIMENTO FUTURO: LEGGERE ATTENTAMENTE

- Deve essere assemblato da un adulto. L'assemblaggio deve essere controllato da un adulto prima dell'uso
- **ATTENZIONE!** Tenere tutte le viti, le piccole parti e i sacchetti di plastica fuori dalla portata dei bambini
- Identificare correttamente tutte le parti prima dell'assemblaggio
- Non utilizzare mai l'articolo se alcune parti sono rotte o mancanti
- In caso di problemi, si prega di contattare il nostro Servizio Post Vendita
- Le istruzioni del produttore devono essere sempre seguite
- Cura: Pulire con un panno morbido e asciutto. In caso di macchie più estese, strofinare accuratamente con una spugna leggermente umida e nonspugna leggermente umida e non abrasiva
- Evitare il rischio di incendio, non collocando i mobili vicino a fonti di accensione o a oggetti caldi
- Non saltare sul letto

Español

¡ IMPORTANTE ! CONSERVELO PARA FUTURAS CONSULTAS: LEA ATENTAMENTE

- Debe ser montado por un adulto. El montaje debe ser comprobado por un adulto antes del uso
- ADVERTENCIA Mantenga todos los tornillos, piezas pequeñas y bolsas de plástico fuera del alcance de los niños.
- Identifique correctamente todas las piezas antes de montarlas
 - Nunca utilice su artículo si alguna de sus piezas está rota o falta
 - Si surge algún problema, póngase en contacto con nuestro Servicio Postventa
 - Las instrucciones del fabricante deben seguirse en todo momento
 - Cuidado: Limpiar con un paño suave y seco. En caso de manchas más grandes, frote cuidadosamente con una esponja no abrasiva ligeramente humedecida.
 - Evite el riesgo de incendio no colocando los muebles cerca de fuentes de ignición u objetos calientes.
 - No saltar sobre la cama.

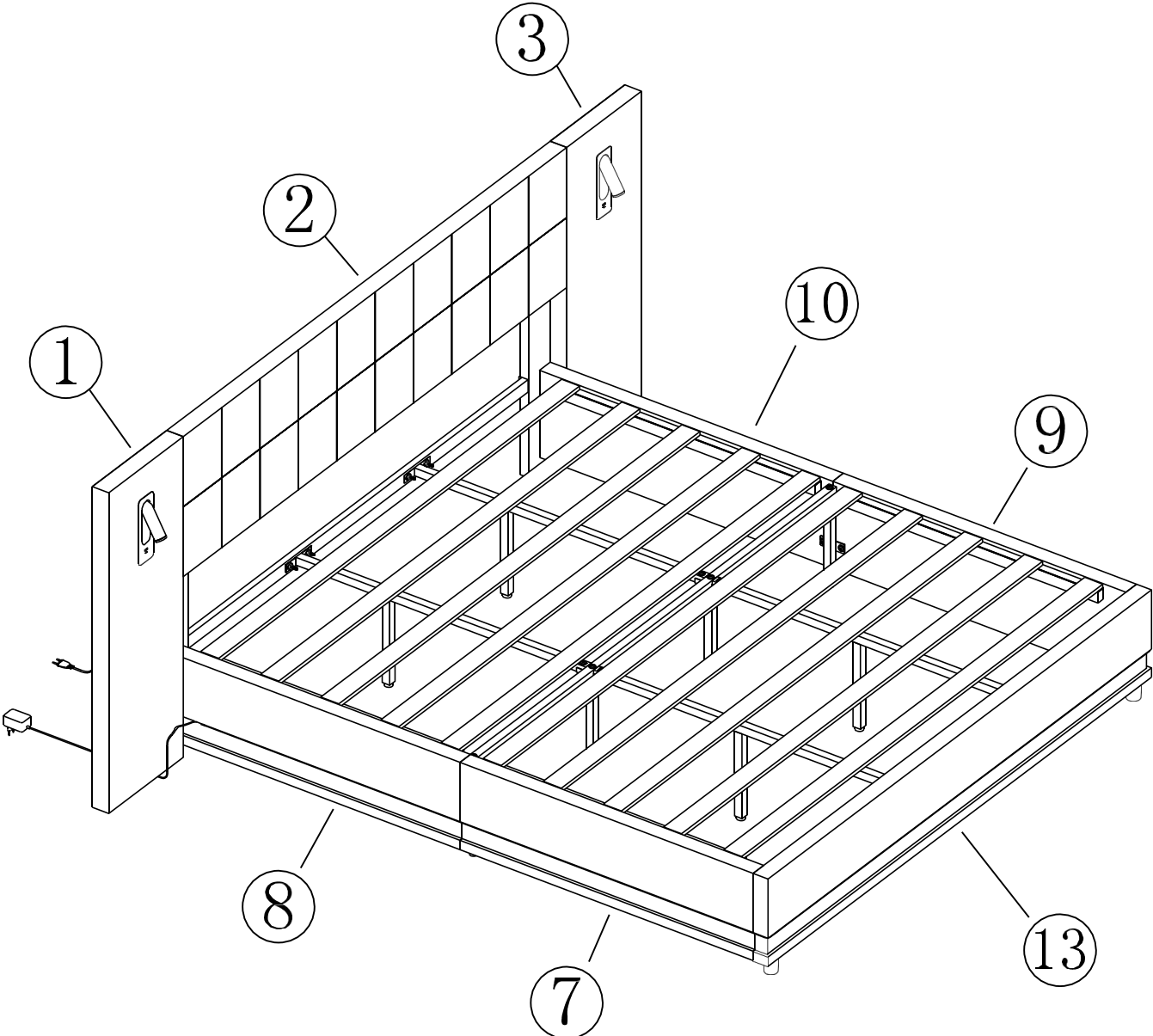


DE: Vor dem Einbau die Schrauben in die Löcher stecken und festziehen, aber nicht bis 100%, 70% bis 80% anziehen reicht aus. Schließlich, nachdem alle Schrauben installiert sind, ziehen Sie alle Schrauben auf 100%. Wenn Sie auf diese Probleme stoßen, wie z. B. Fehlausrichtung der Löcher oder Unfähigkeit, bestimmte Teile zu installieren, überprüfen Sie bitte, ob die Schrauben korrekt verwendet werden und passen Sie die Dichtigkeit der Schrauben an.

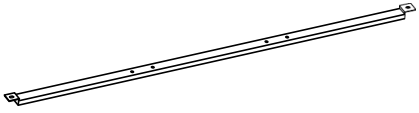
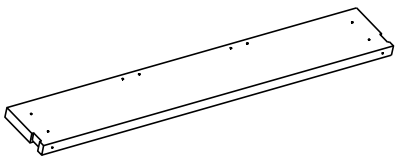
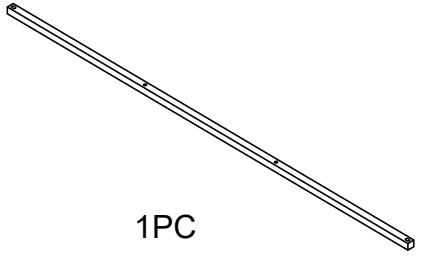
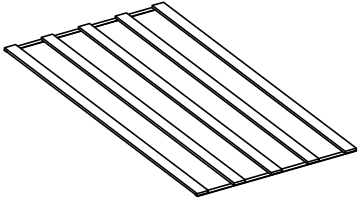
UK: Before installation, insert the screws into the holes and tighten them, but do not tighten them to 100%, 70% to 80% is sufficient. Finally, after all screws are installed, tighten all screws to 100%. If you encounter these issues, such as if the holes cannot be aligned or some parts cannot be installed, please check if the screws are used correctly and adjust the tightness of the screws.

FR: Insérer la vis dans le trou avant la fin de l'assemblage, serrer la vis, mais ne pas serrer à 100%, 70% ~ 80% est correct. Enfin, une fois que toutes les vis sont bien serrées, toutes les vis sont serrées à 100%. Si vous rencontrez ces problèmes, par exemple si les trous ne sont pas alignés ou si certaines pièces ne peuvent pas être montées, vérifiez que les vis sont utilisées correctement et Ajustez leur serrage.

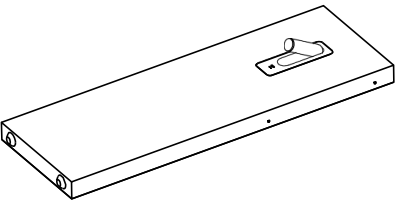
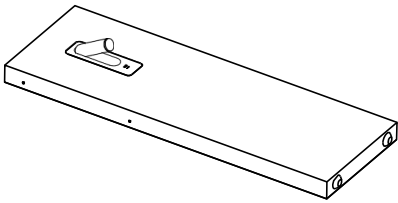
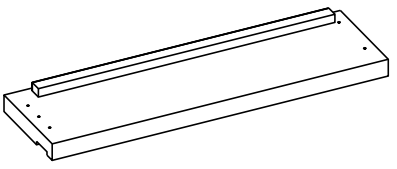
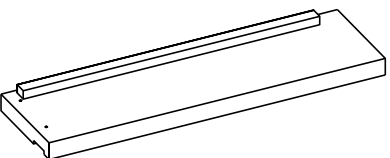
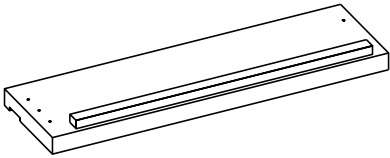
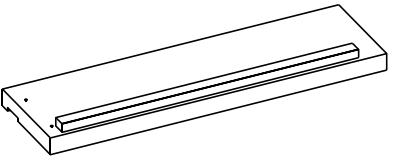
DIAGRAMM



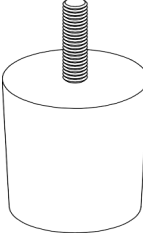
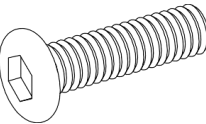
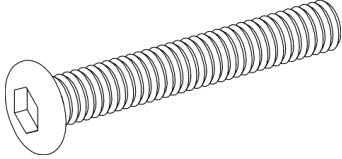

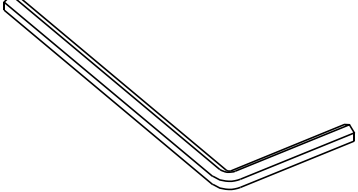
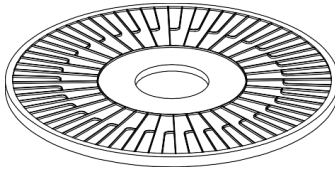
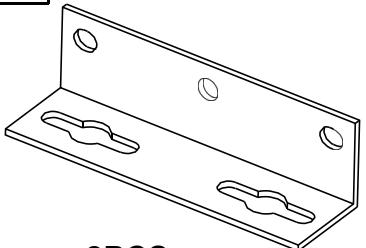
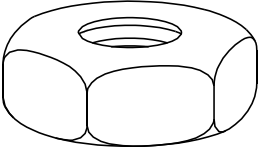
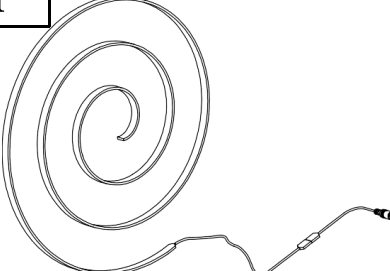
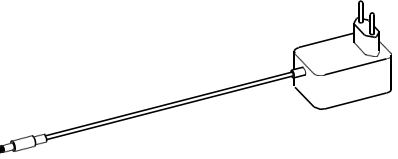
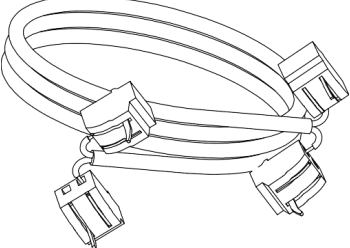
Mülleimer 1/3: N636P312725

6  1PC	13  1PC	15  1PC
19  2PCS		

Mülleimer 2/3: N636P312726

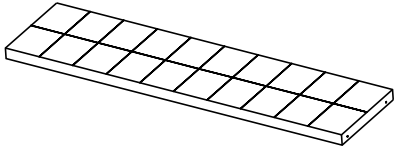
1  1PC	3  1PC	7  1PC
8  1PC	9  1PC	10  1PC

Mülleimer 2/3: N636P312726

<p>12</p>  <p>2PCS</p>	<p>A</p> <p>Bolzen M8x25 mm</p>  <p>24PCS</p>	<p>B</p> <p>Bolzen M8x45 mm</p>  <p>26PCS</p>
<p>C</p>  <p>58PCS</p>	<p>D</p>  <p>1PC</p>	<p>E</p>  <p>2PCS</p>
<p>F</p>  <p>2PCS</p>	<p>G</p>  <p>8PCS</p>	<p>H</p>  <p>1PC</p>
<p>J</p>  <p>1PC</p>	<p>K</p>  <p>1PC</p>	

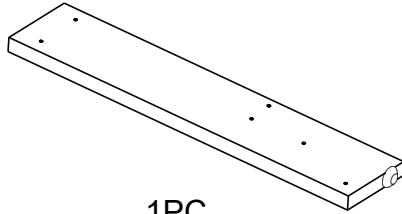
Mülleimer 3/3: N636P312727

2



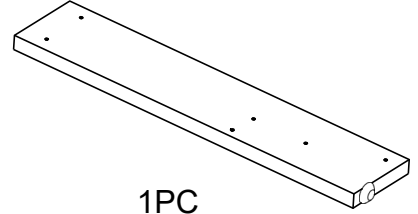
1PC

4



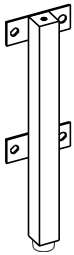
1PC

5



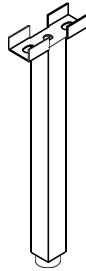
1PC

11



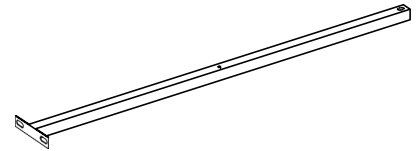
2PCS

14



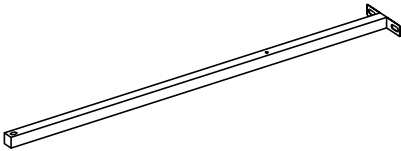
2PCS

16



2PCS

17

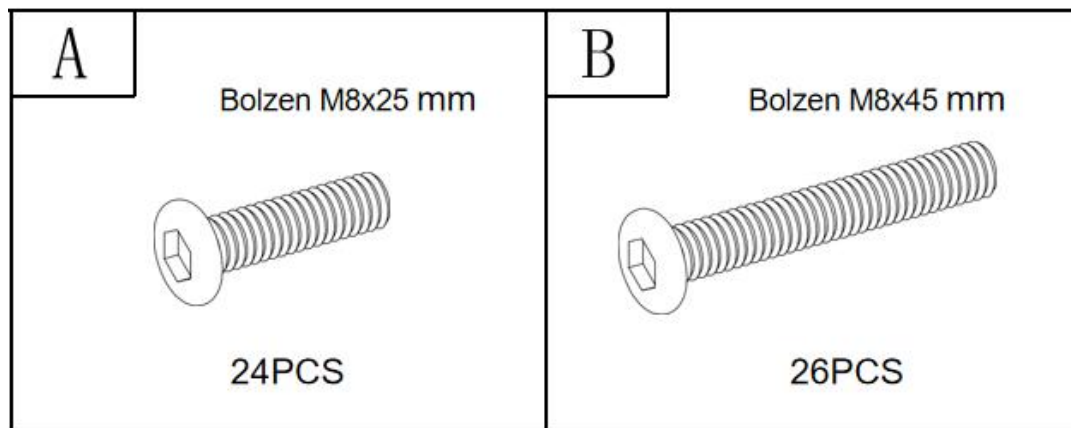


2PCS

18



4PCS



DE:Bitte beachten Sie, dass die Formen der Schrauben (A) und (B) .
Bitte installieren Sie entsprechend der Anleitung und unterscheiden
Sie sie!




UK:Please note that the shapes of screws (A) and (B) .Please install
according to the instructions and distinguish them!

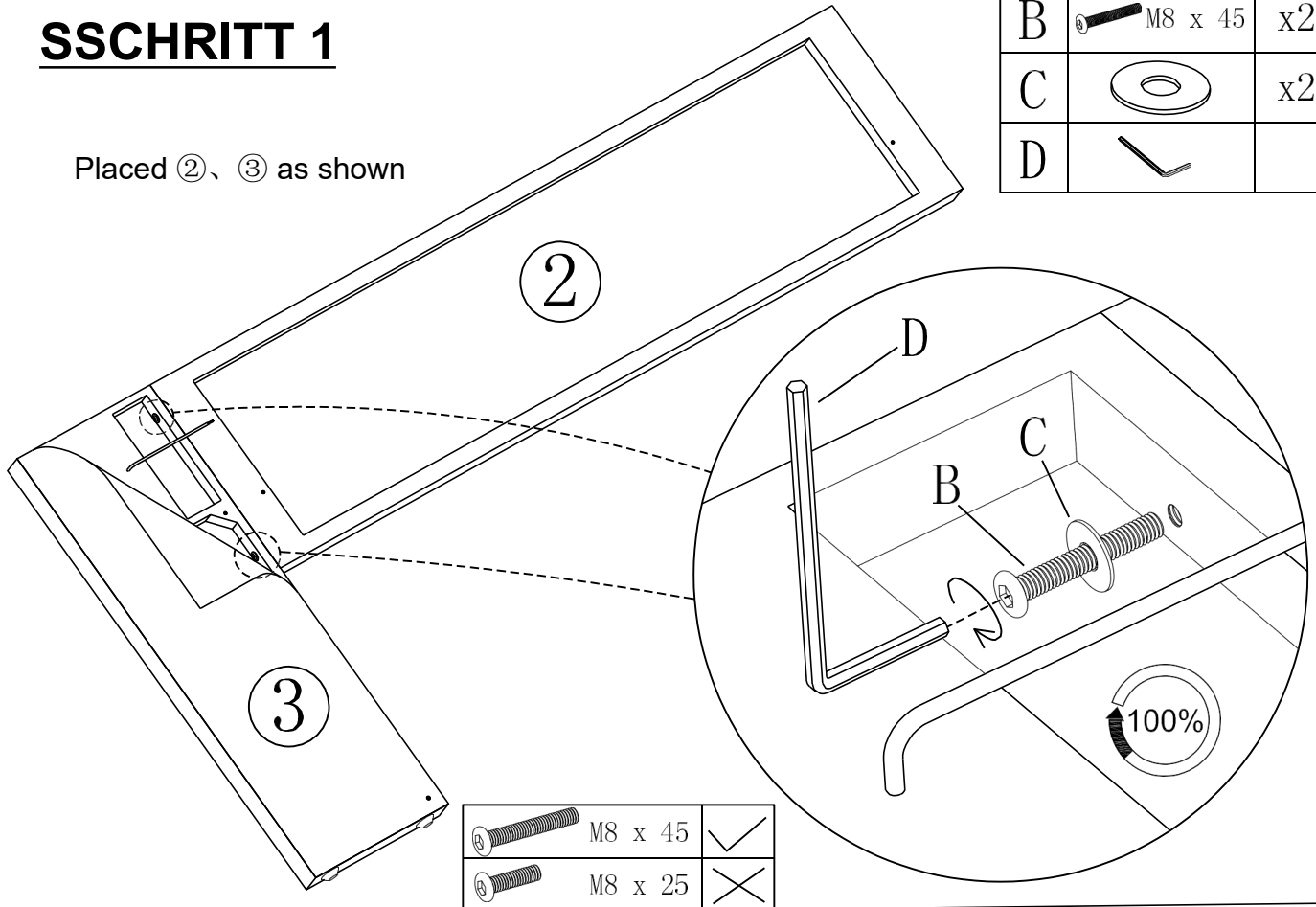
FR:Notez que les vis (A) et (B) ont des formes similaires. Veuillez
les installer en suivant les instructions pour les séparer!

INSTALLATION STEPS

SSCHRITT 1

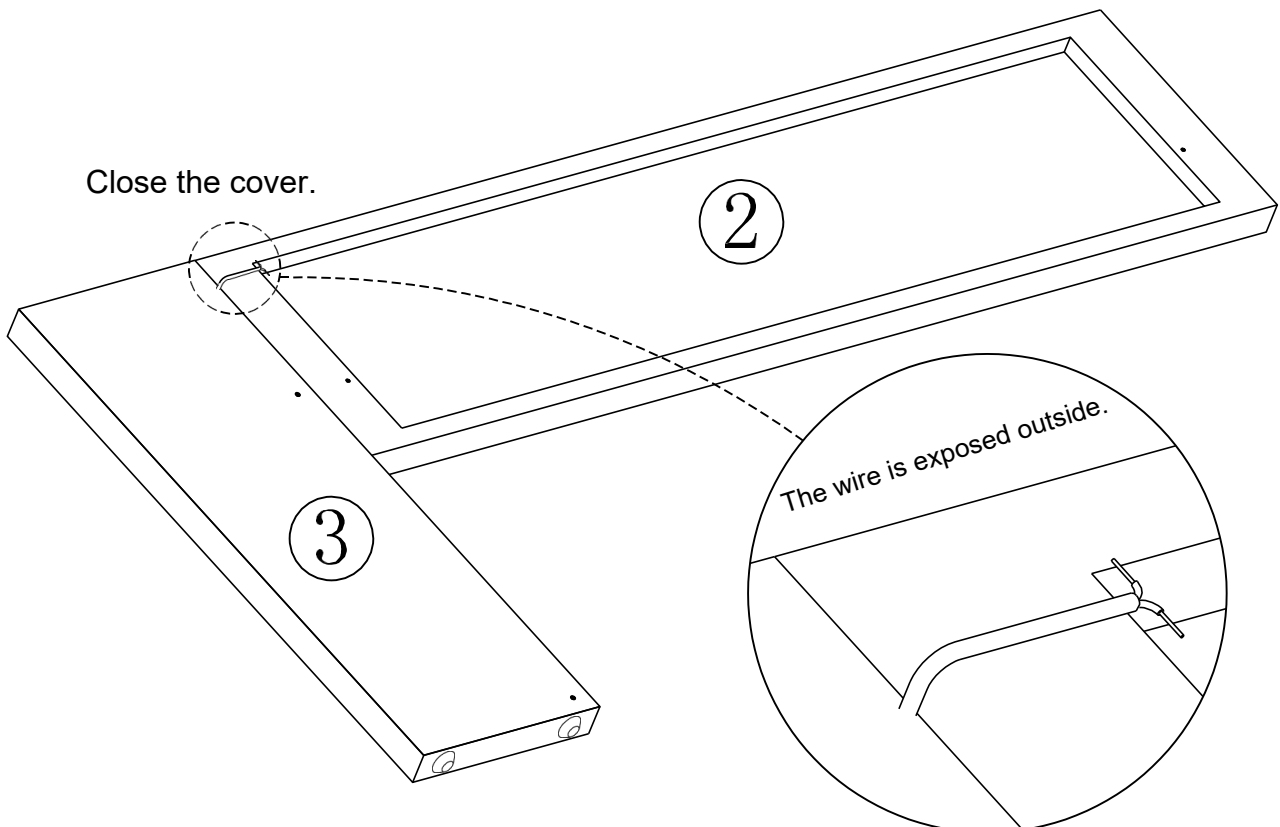
Placed ②、③ as shown

B	 M8 x 45	x2
C		x2
D		






SSCHRITT 2

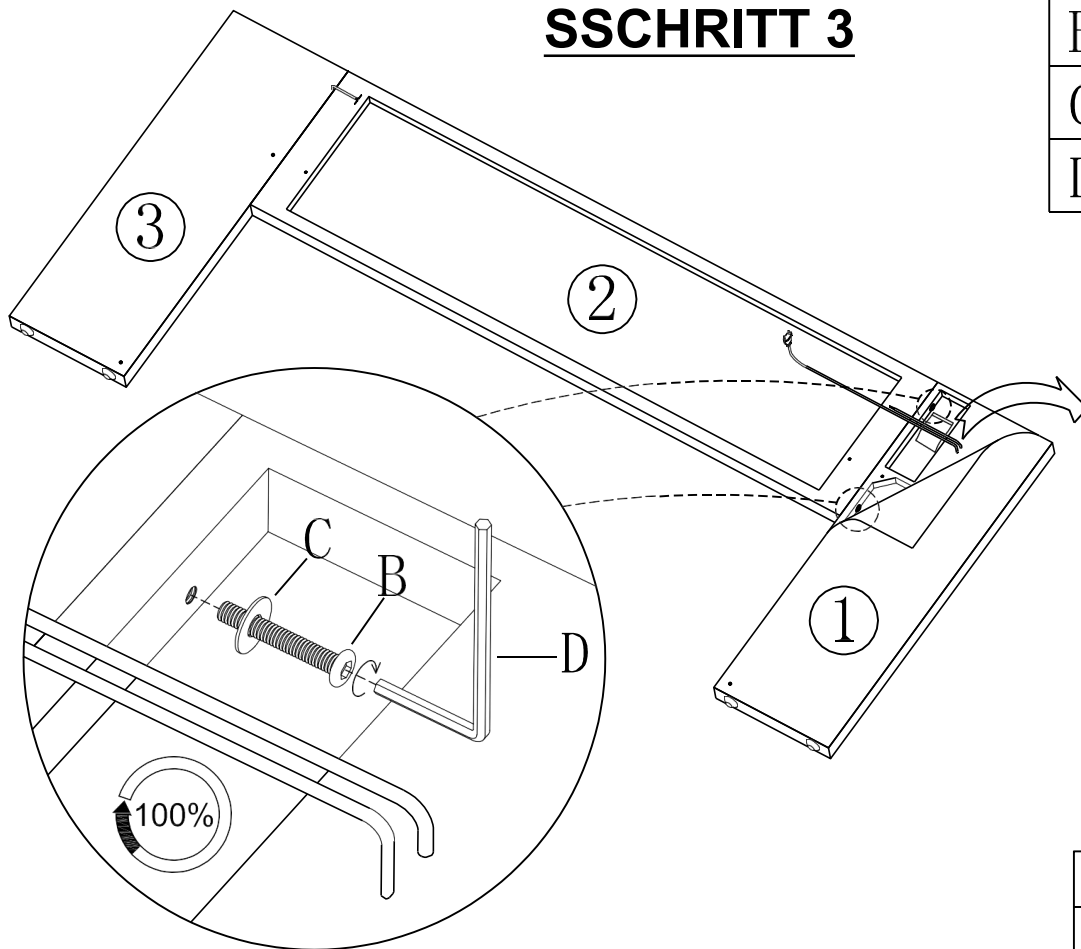
Close the cover.

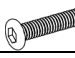



INSTALLATION STEPS

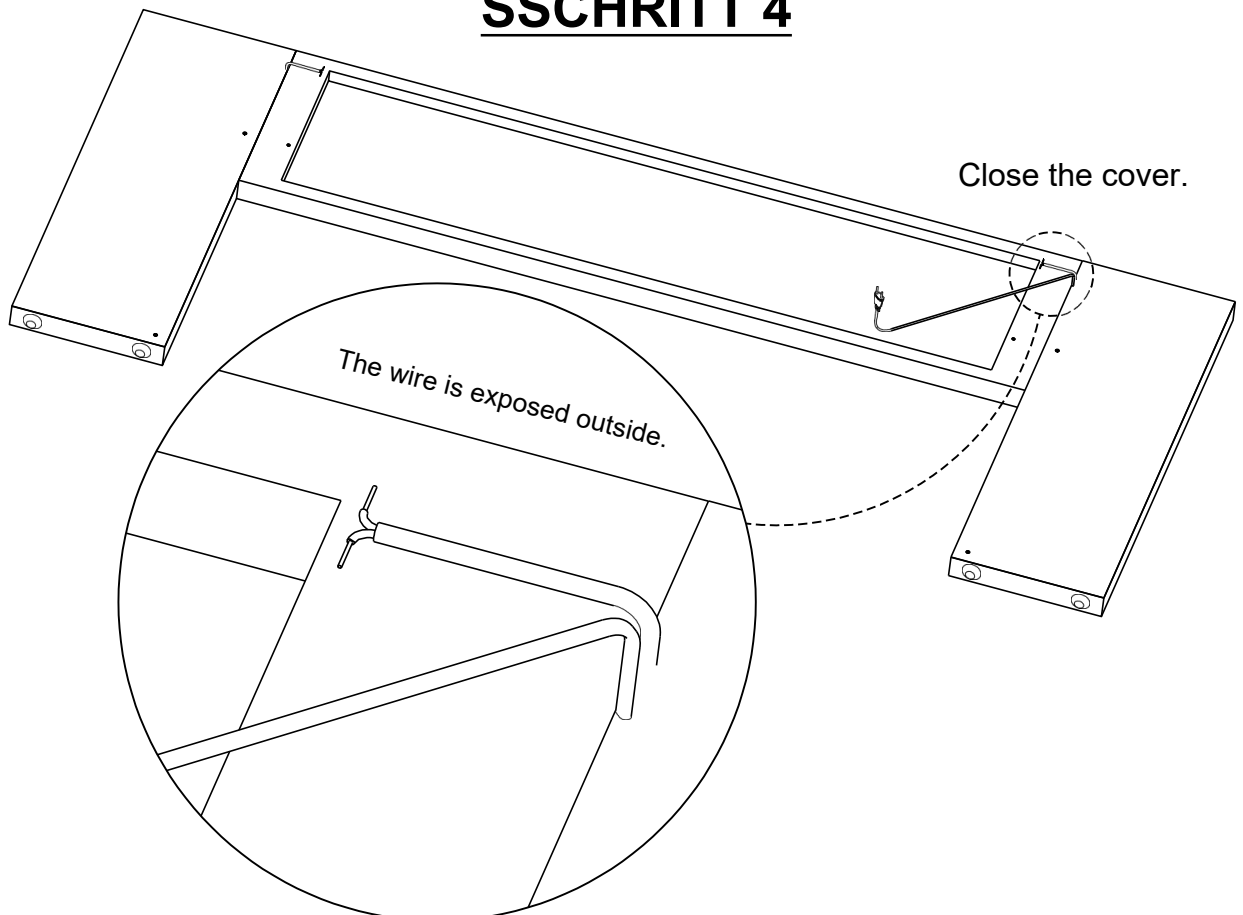
SSCHRITT 3

B	 M8 x 45	x2
C		x2
D		





	M8 x 45	<input checked="" type="checkbox"/>
	M8 x 25	<input type="checkbox"/>




SSCHRITT 4

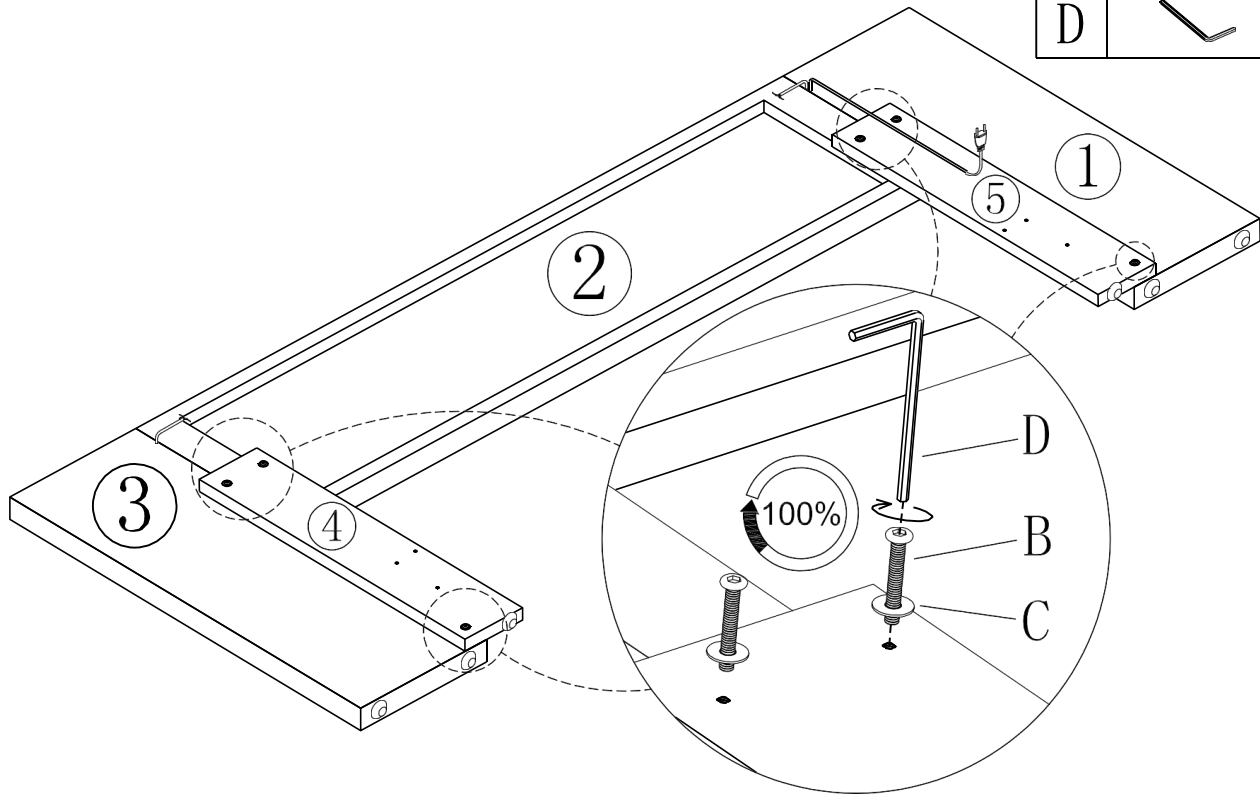


INSTALLATION STEPS




SSCHRITT 5

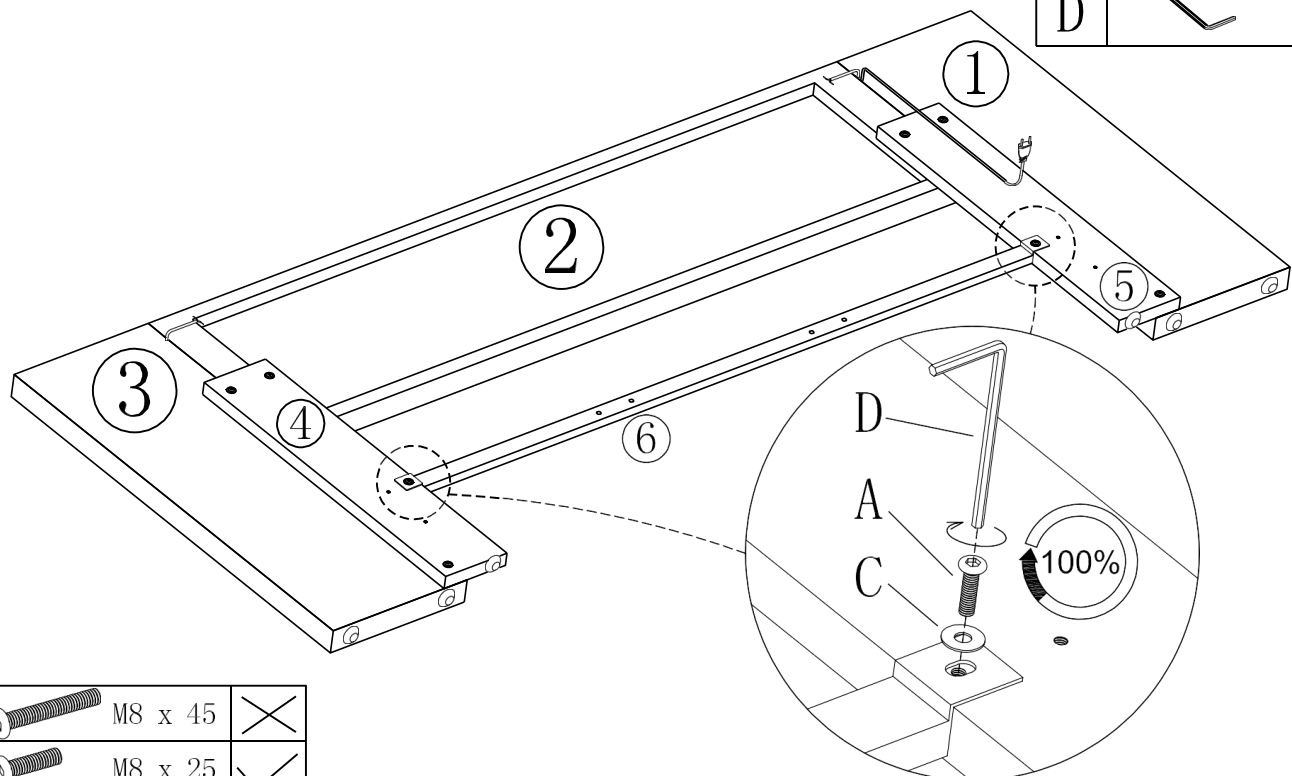
	M8 x 45	<input checked="" type="checkbox"/>
	M8 x 25	<input type="checkbox"/>



B		M8 x 45	x6
C			x6
D			



SSCHRITT 6

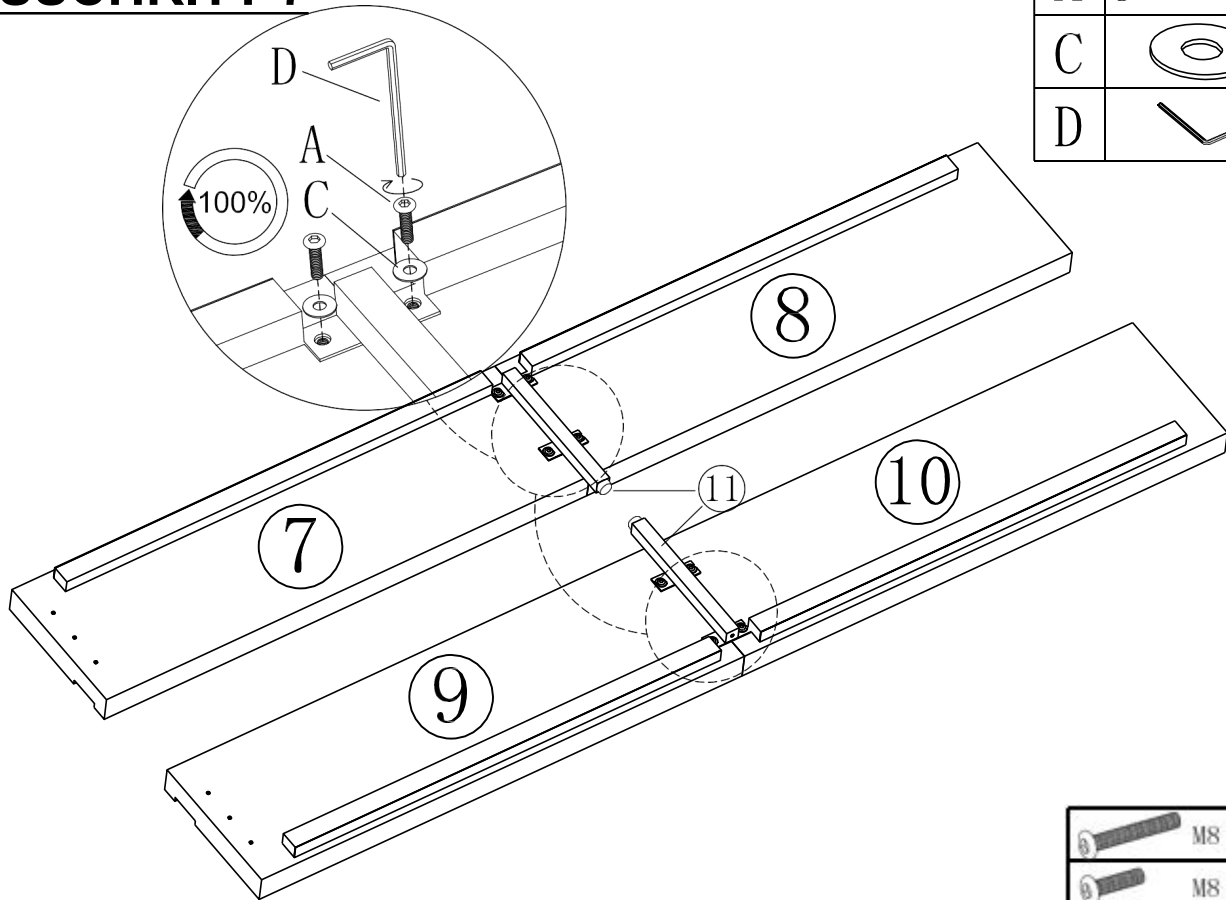
A		M8 x 25	x2
C			x2
D			






	M8 x 45	<input type="checkbox"/>
	M8 x 25	<input checked="" type="checkbox"/>

INSTALLATION STEPS

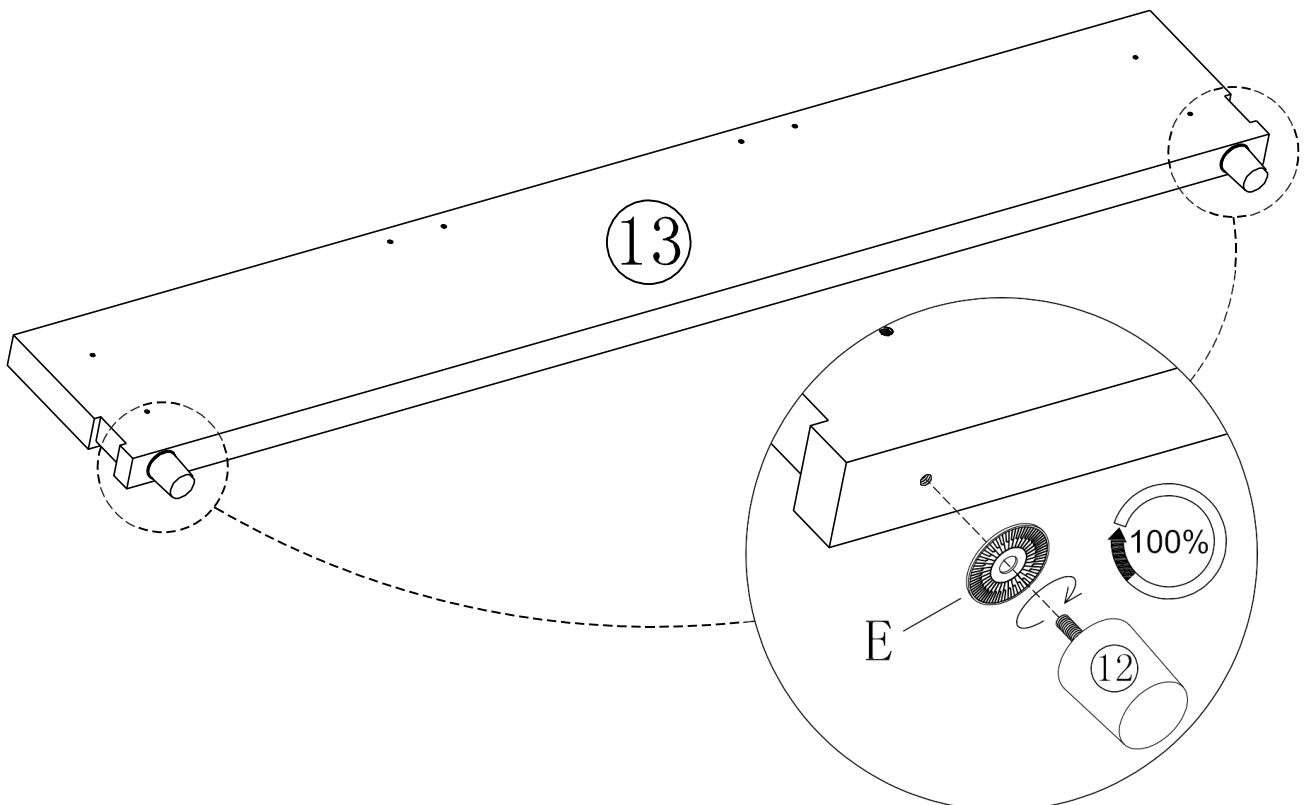
SSCHRITT 7




A	 M8 x 25	x8
C		x8
D		

 M8 x 45	<input checked="" type="checkbox"/>
 M8 x 25	<input checked="" type="checkbox"/>





SSCHRITT 8

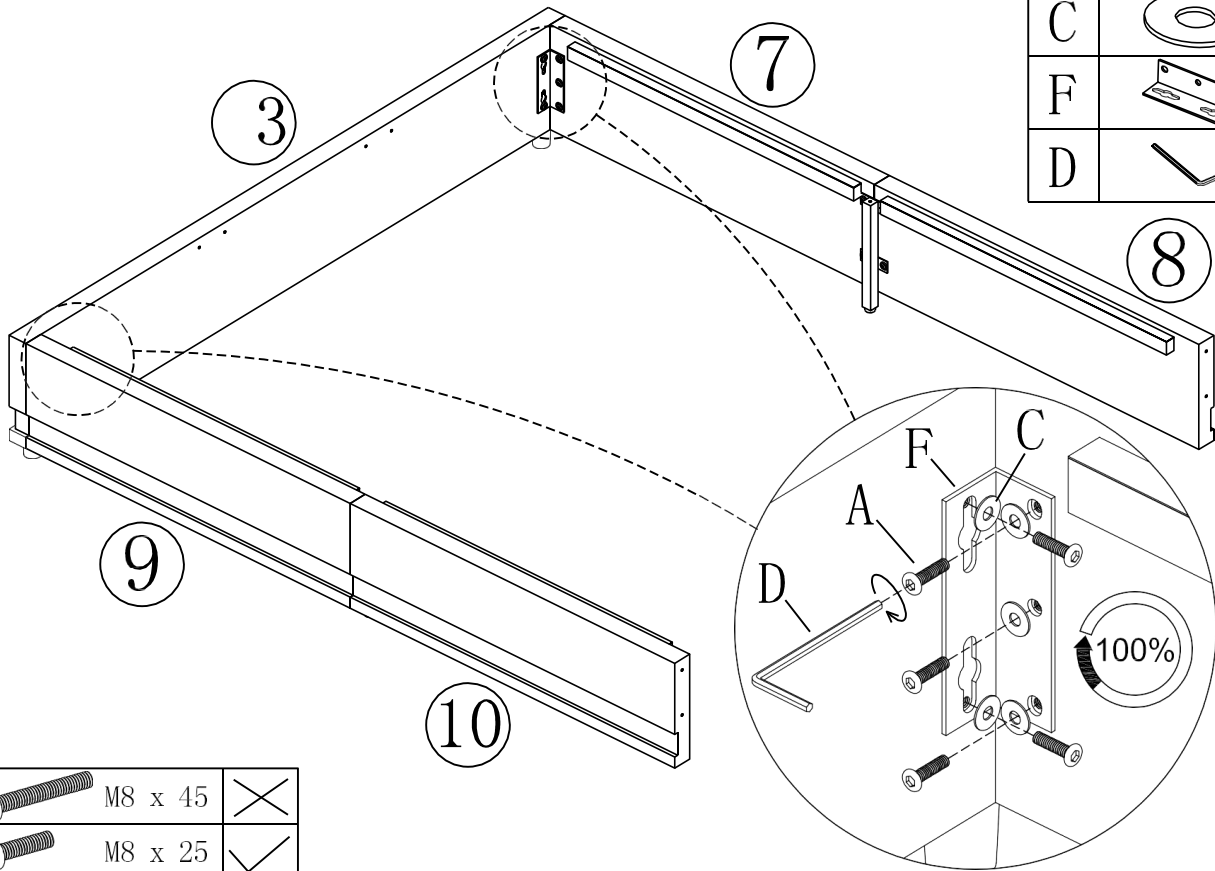


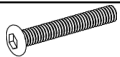

E		x2
---	---	----

INSTALLATION STEPS




SSCHRITT 9

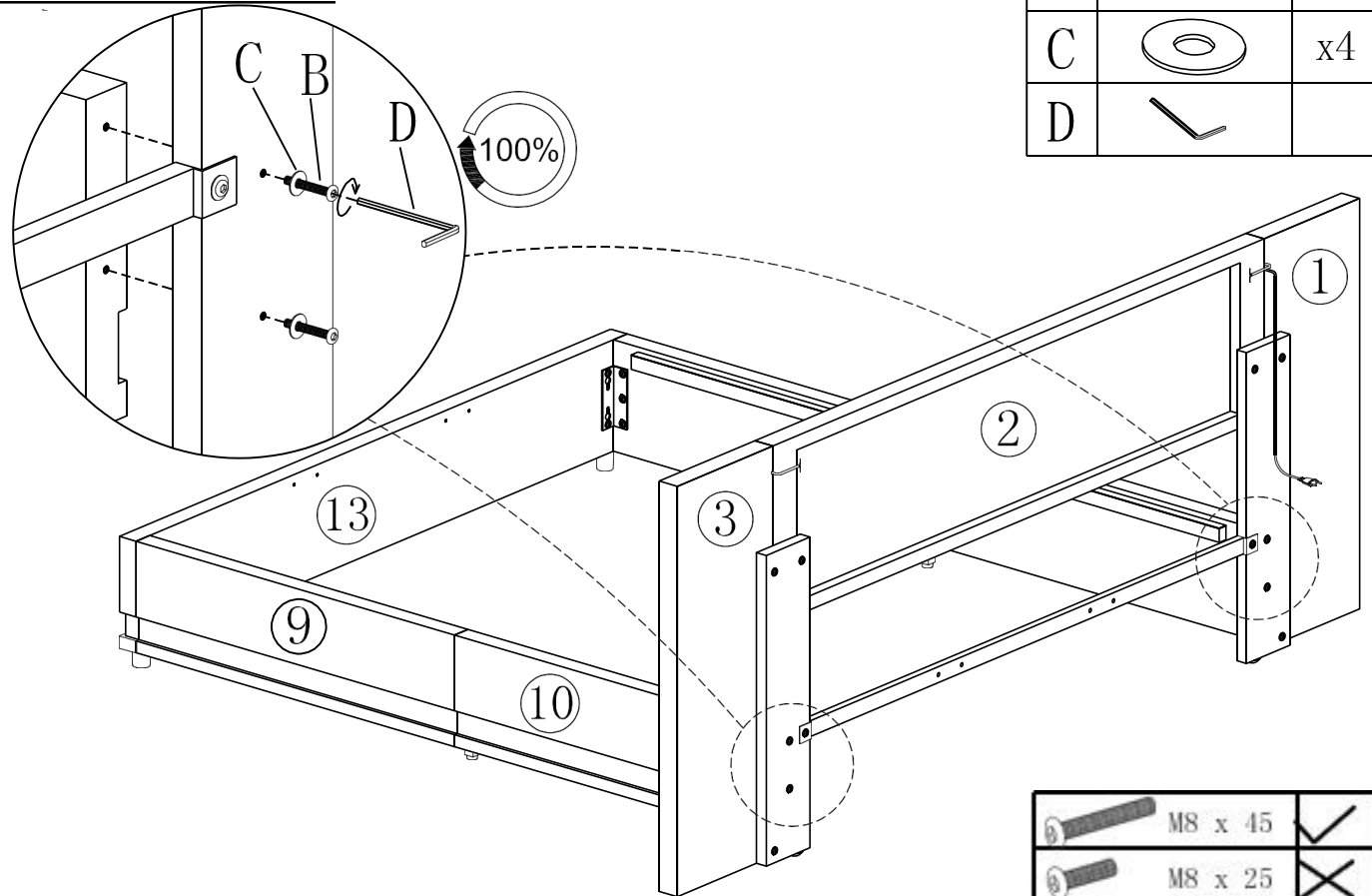
A	 M8 x 25	x10
C		x10
F		x2
D		



	M8 x 45	<input type="checkbox"/>
	M8 x 25	<input checked="" type="checkbox"/>

SSCHRITT 10

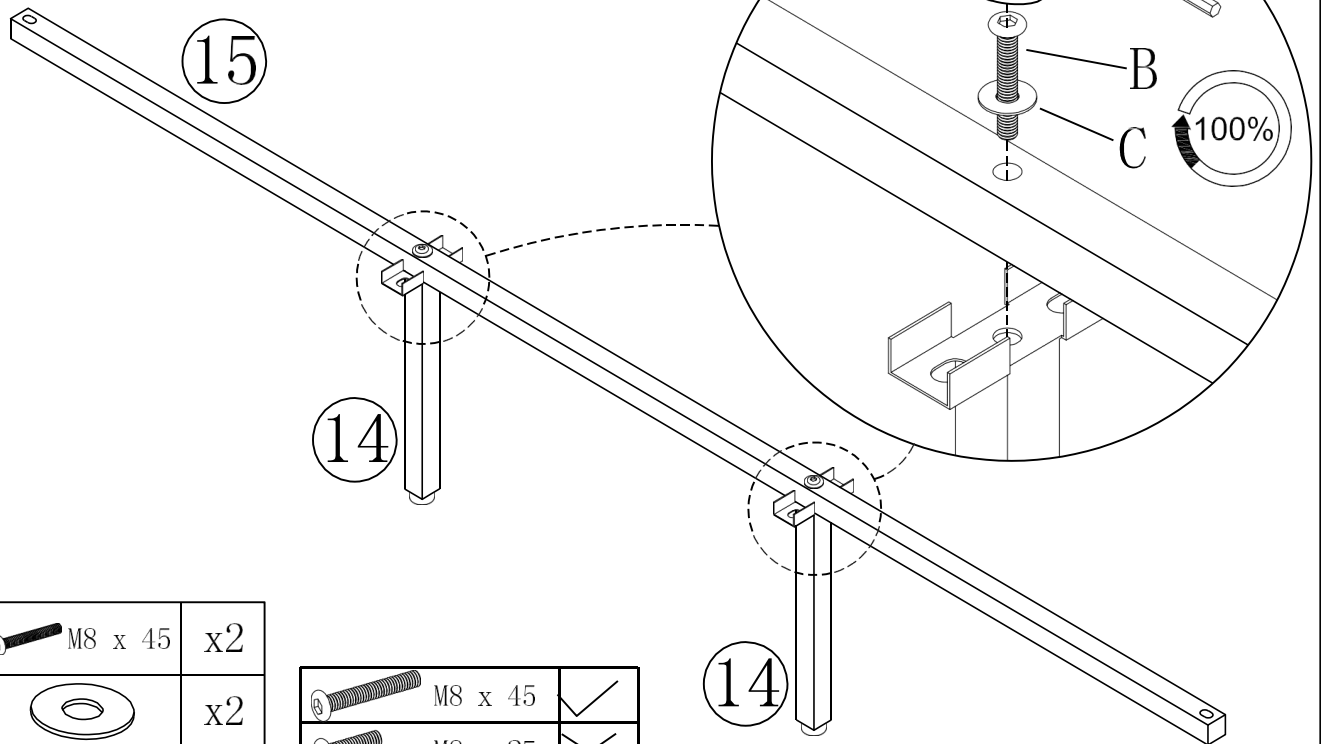
B	 M8 x 45	x4
C		x4
D		






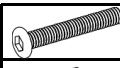

	M8 x 45	<input checked="" type="checkbox"/>
	M8 x 25	<input type="checkbox"/>

INSTALLATION STEPS

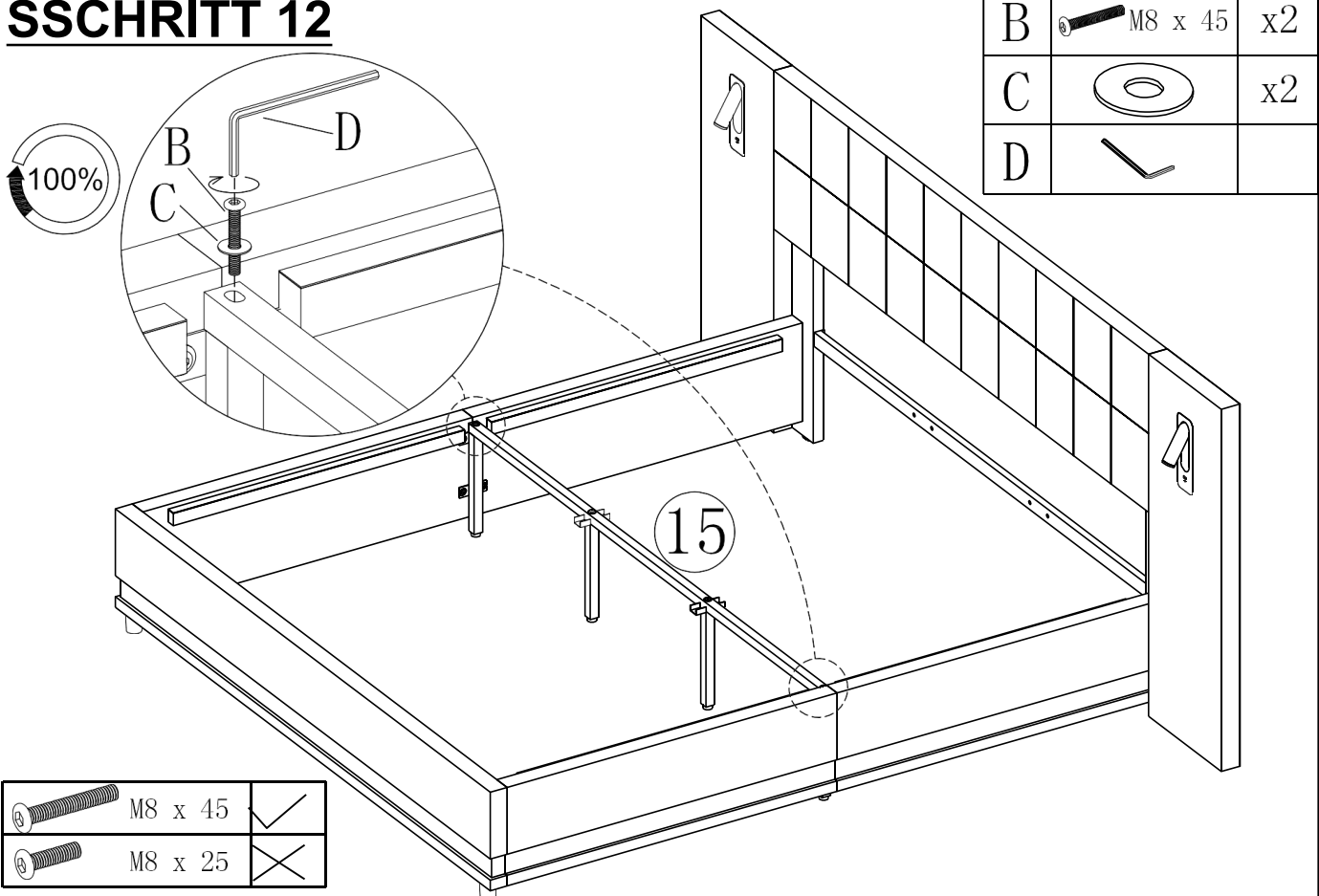
SSCHRITT 11






B	 M8 x 45	x2
C		x2
D		

	M8 x 45	✓
	M8 x 25	✗

SSCHRITT 12

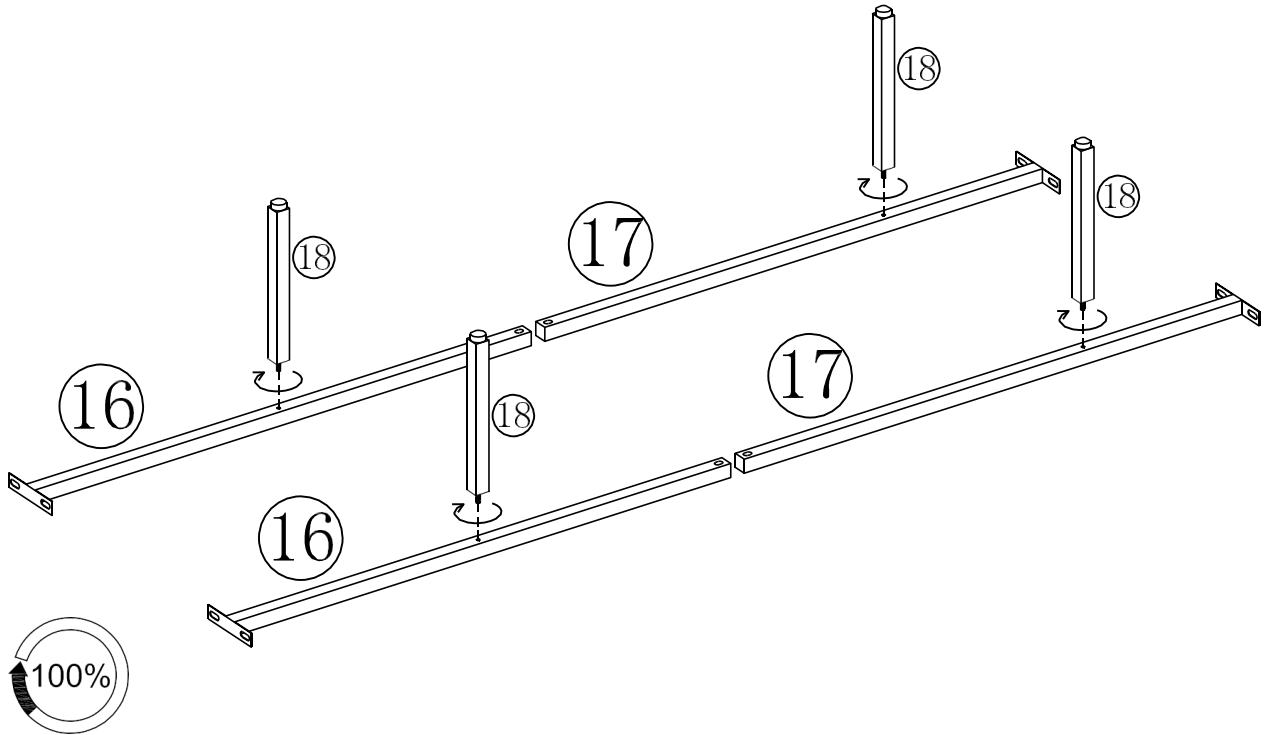


B	 M8 x 45	x2
C		x2
D		

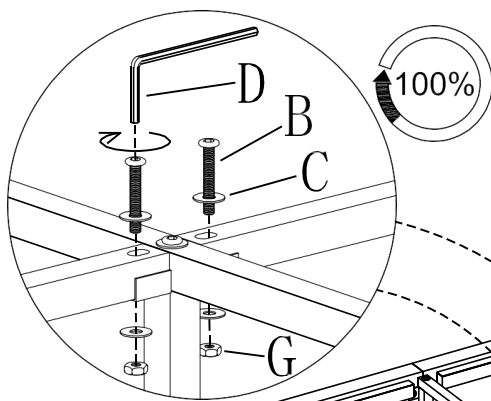
	M8 x 45	✓
	M8 x 25	✗





INSTALLATION STEPS

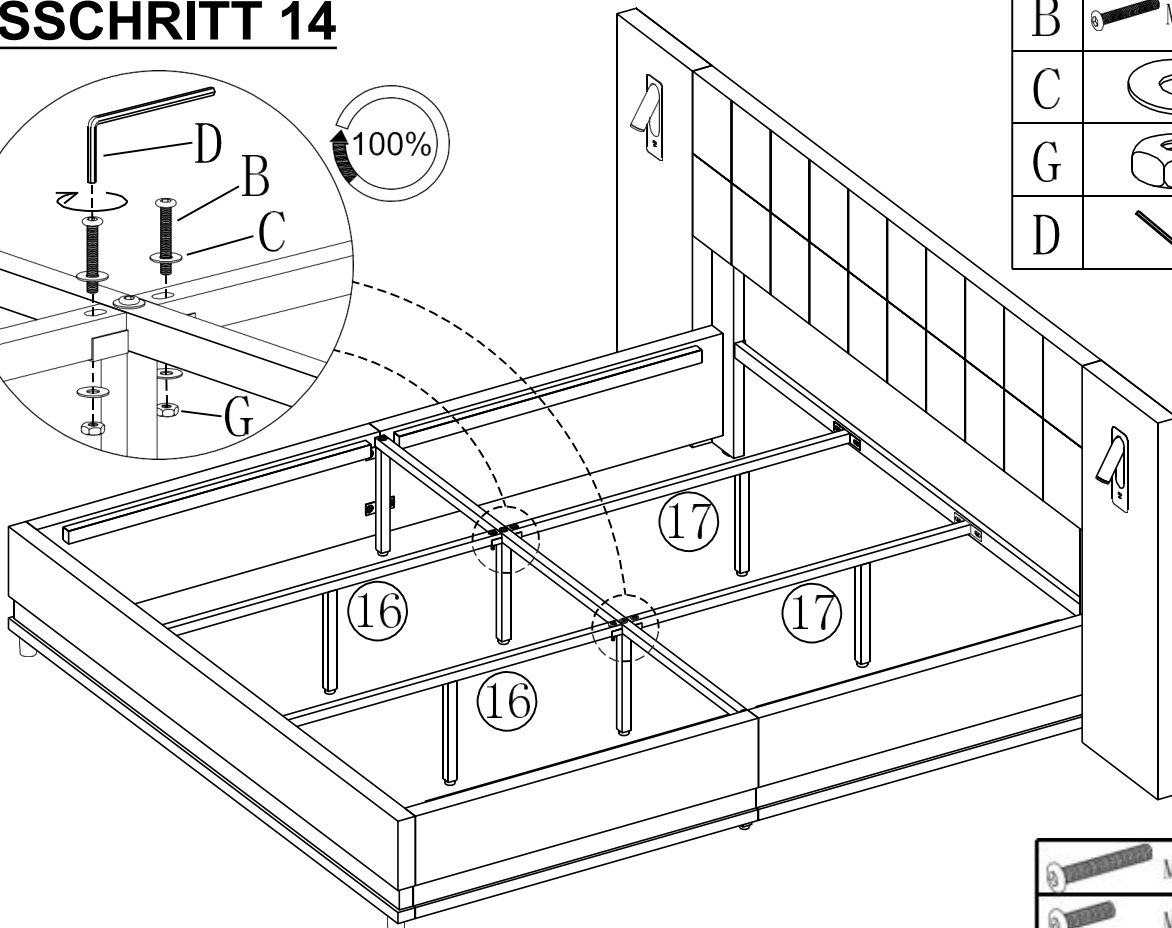
SSCHRITT 13





SSCHRITT 14



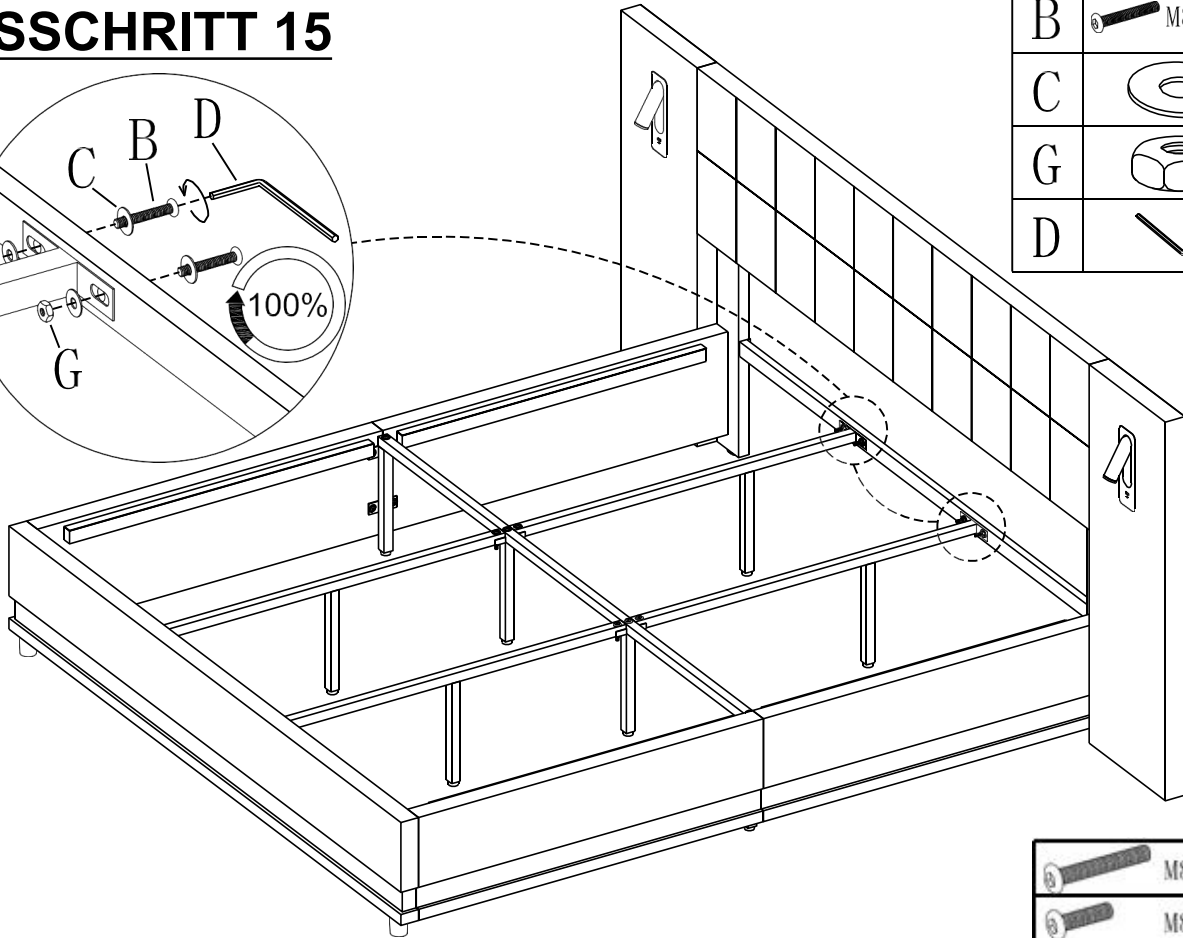
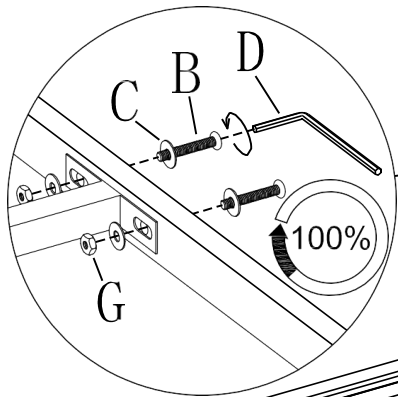
B	 M8 x 45	x4
C		x8
G		x4
D		



 M8 x 45	✓
 M8 x 25	✗

INSTALLATION STEPS

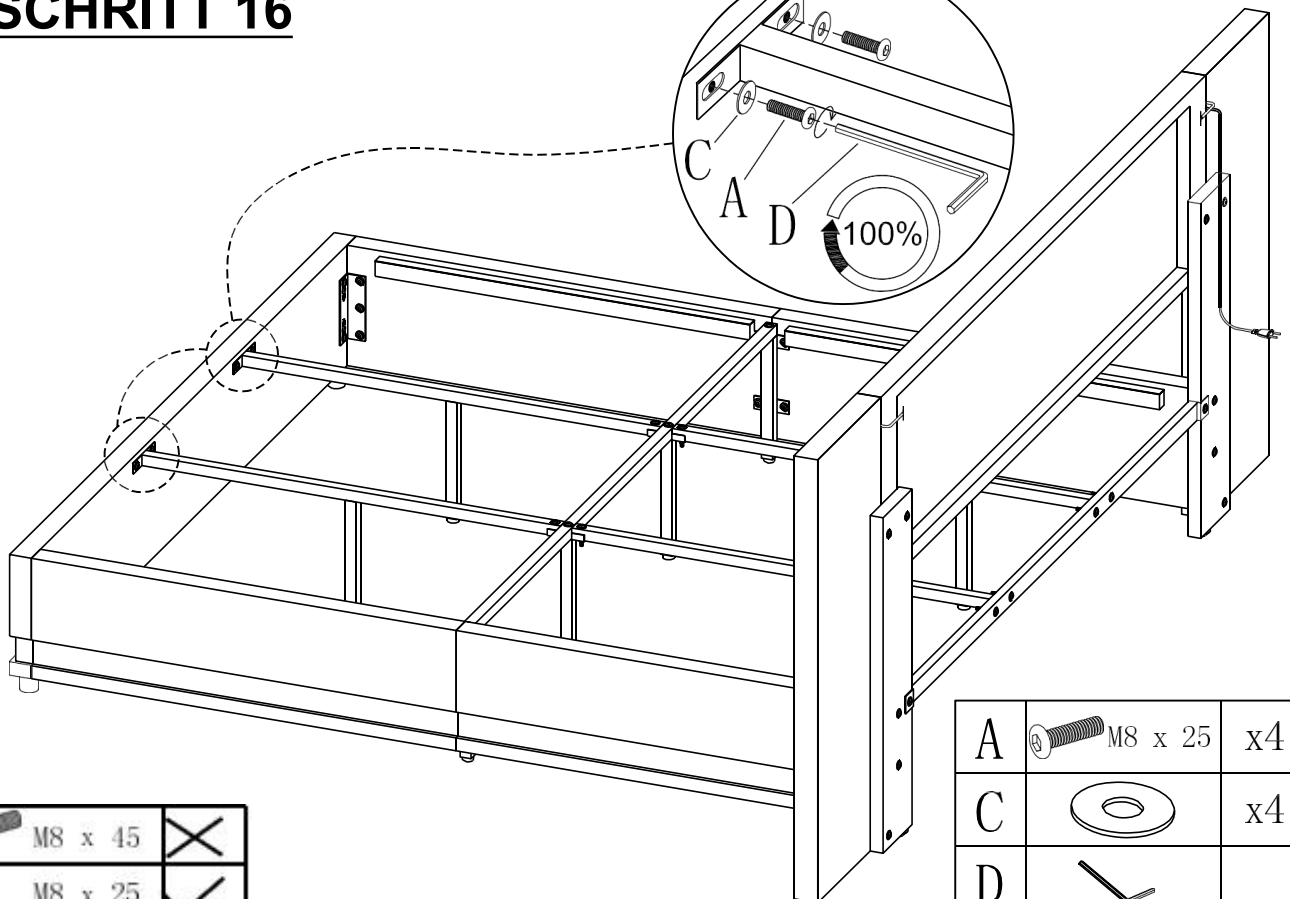
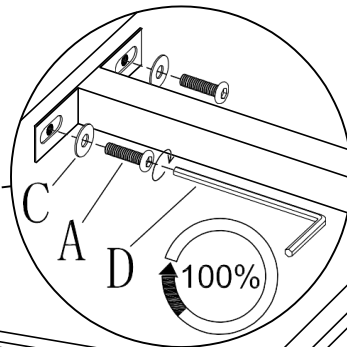
SSCHRITT 15



B	M8 x 45	x4
C		x8
G		x4
D		

M8 x 45	✓
M8 x 25	✗

SSCHRITT 16

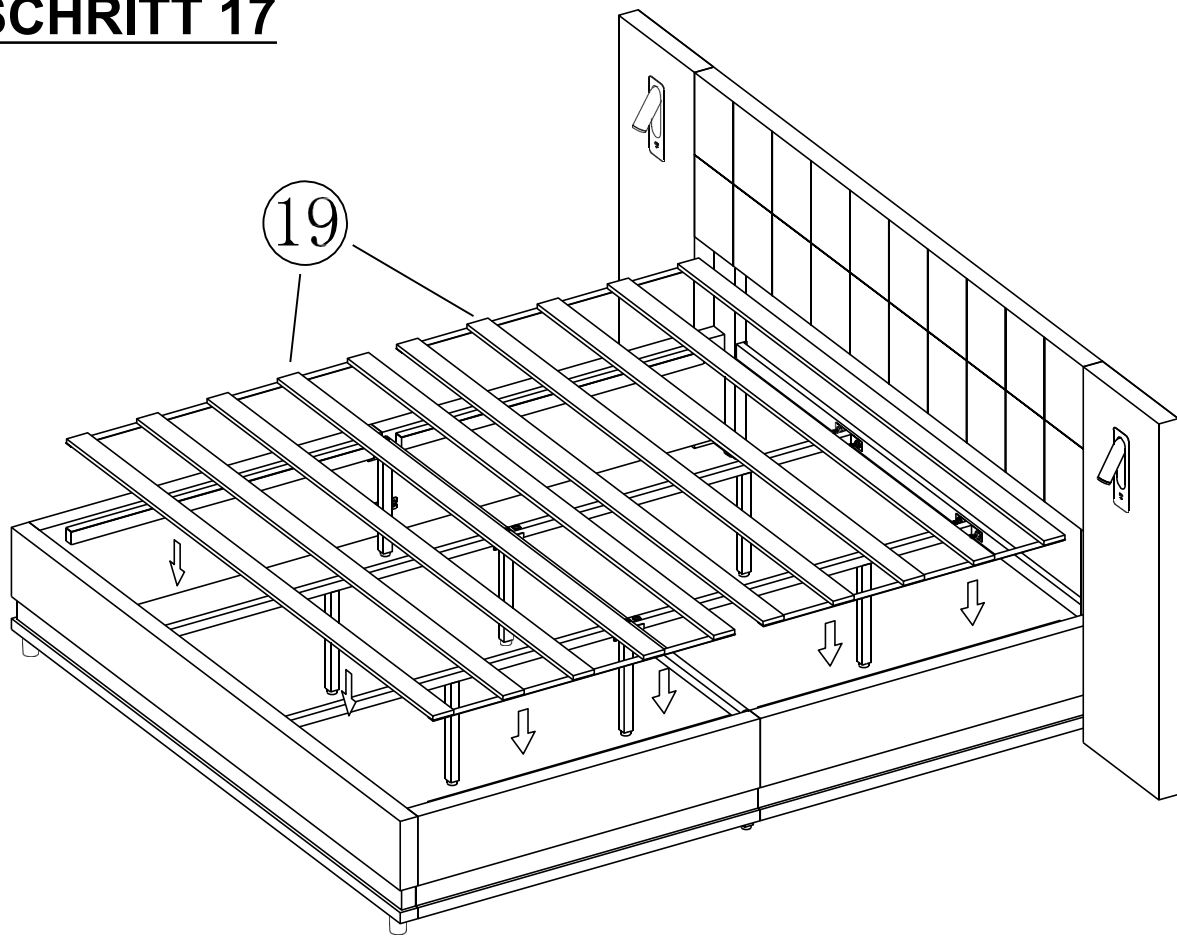


A	M8 x 25	x4
C		x4
D		

M8 x 45	✗
M8 x 25	✓

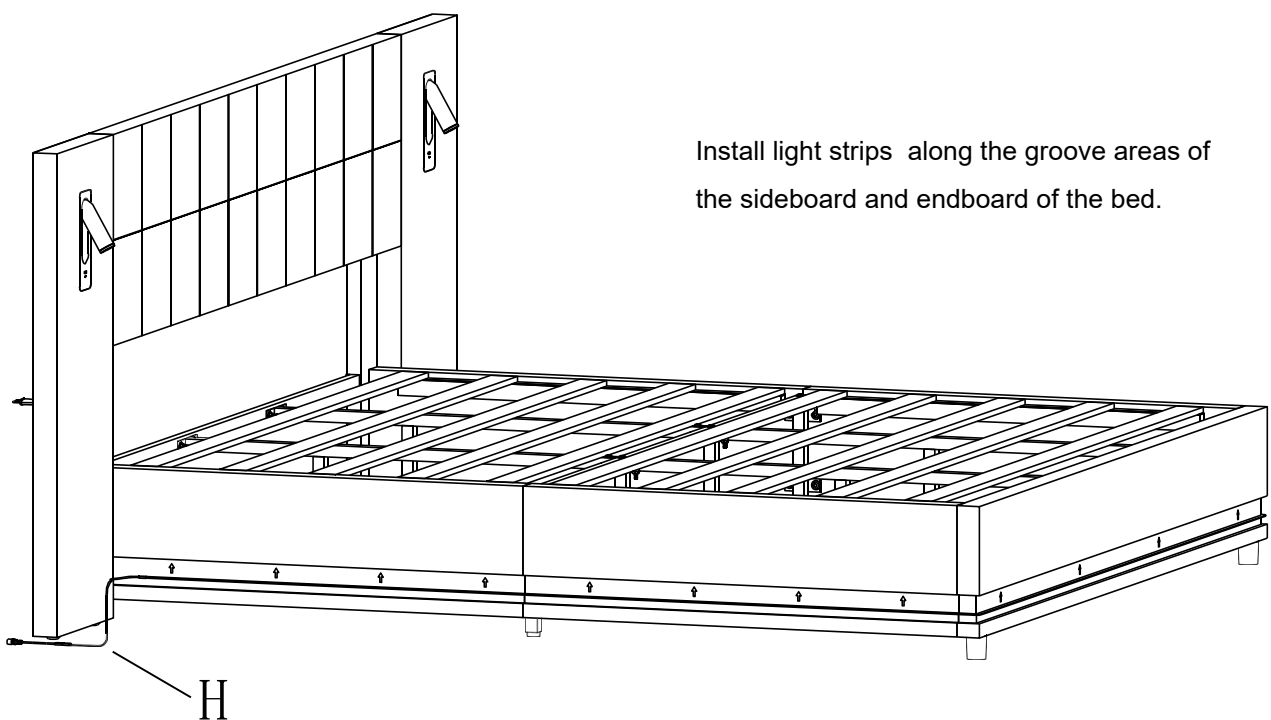
INSTALLATION STEPS

SSCHRITT 17



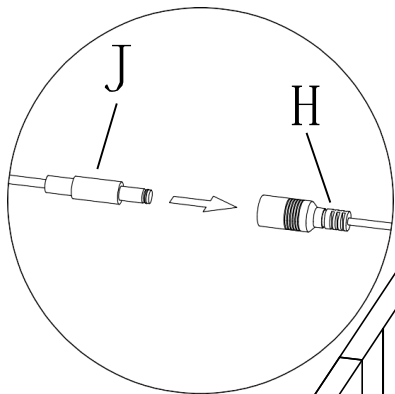
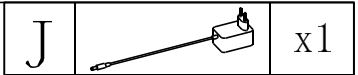
SSCHRITT 18

H		x1
---	---	----

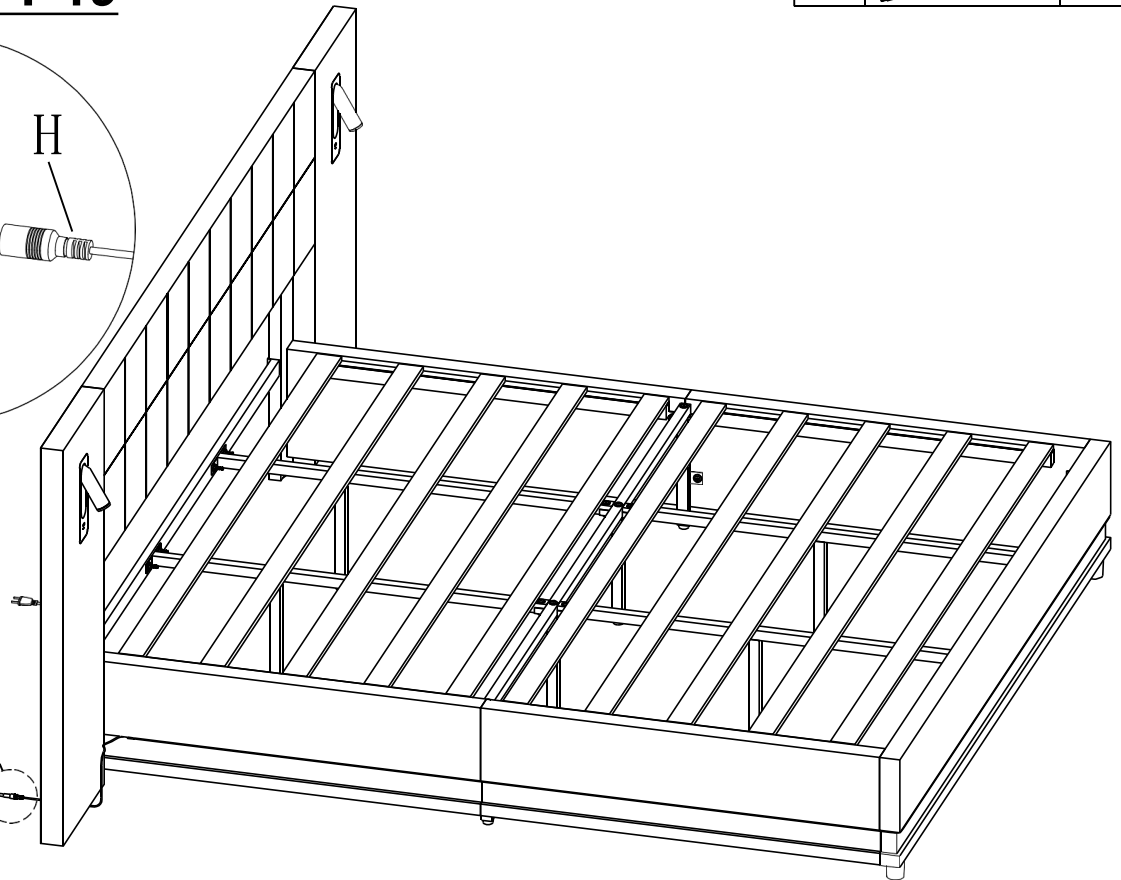


INSTALLATION STEPS

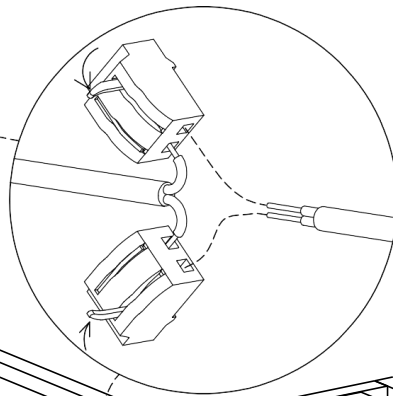
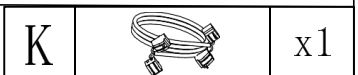
SSCHRITT 19



J

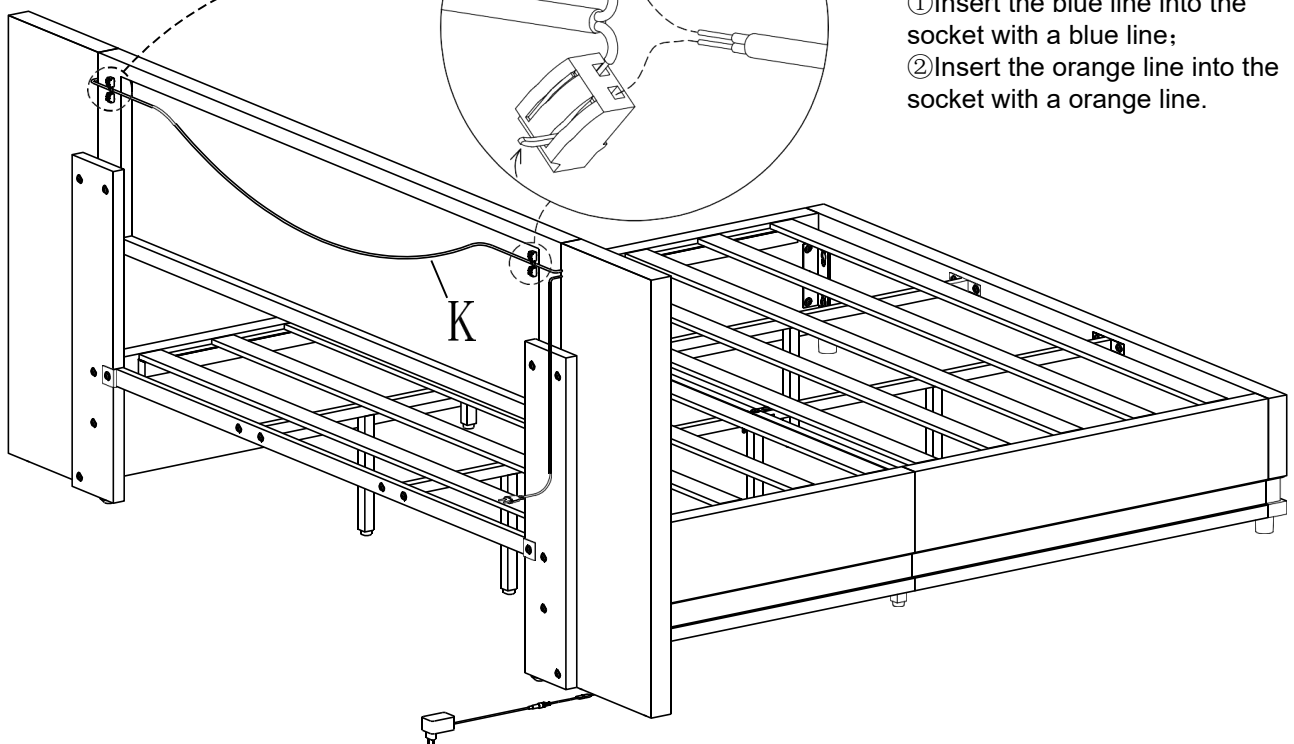


SSCHRITT 20

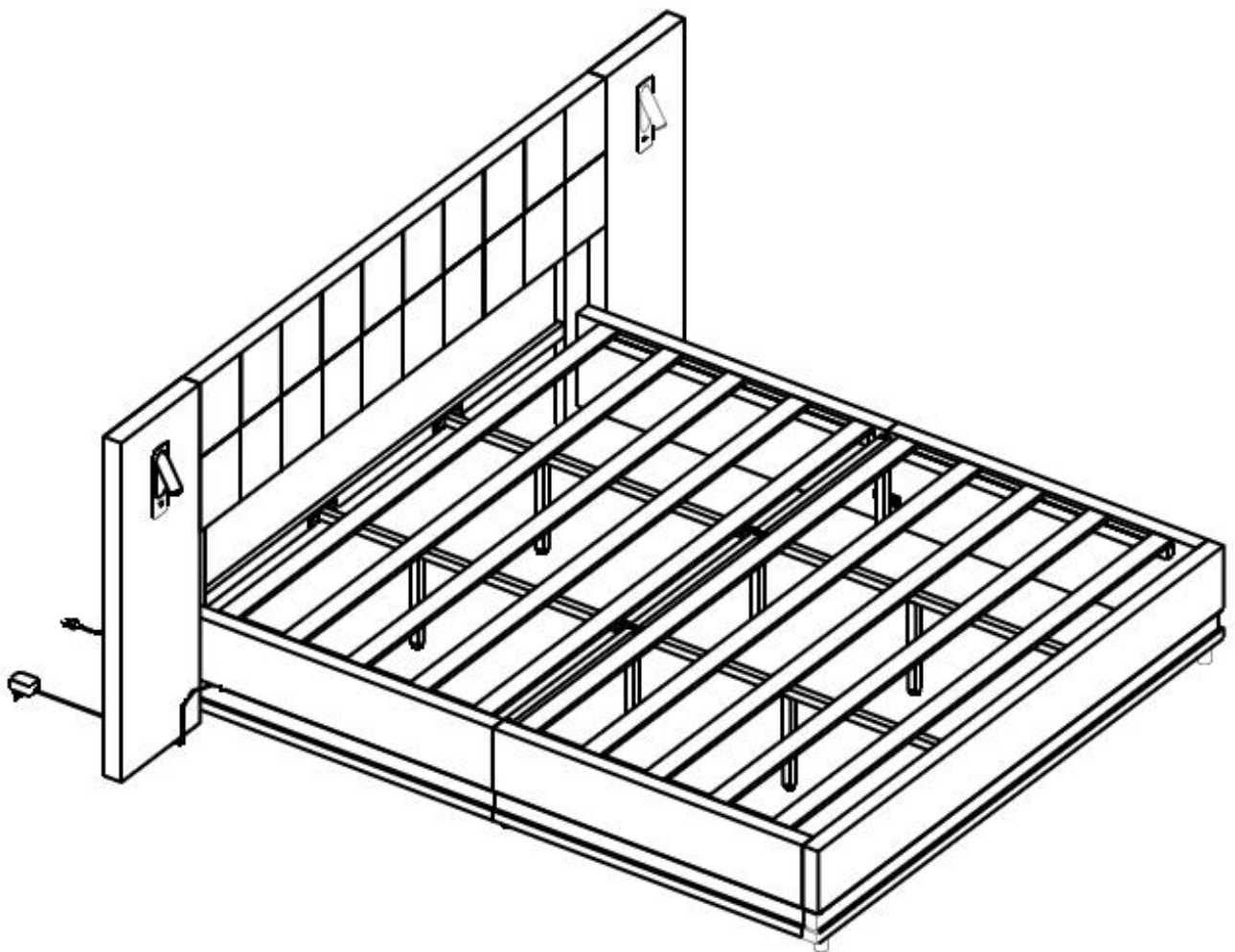


- ① Insert the blue line into the socket with a blue line;
- ② Insert the orange line into the socket with an orange line.

K



VOLLSTÄNDIG



LotusLantern APP Manual

1. Software Overview

1.1 Overview

LotusLantern is a mobile APP to control LED strip by both IOS and Android phones.

The traditional control ways like infrared, 433MHz, 2.4GHz and others old wired ways will be replaced by mobile phone control way with convenient, powerful and scalable features.

Through this mobile APP , you can not only control the color, brightness and color temperature of the LED strips but also set up all kinds of fancy flash mode ; Also this APP can change the light of the LED strip according to the rhythm of the music. This APP can set and control several LED strips through Bluetooth and the operation is very simple, easy to learn and easy to use.

1.2 Features

- Adjust color LED strips with 60,000 colors to change color and brightness and adjust monochrome LED strips to change brightness and color temperature
- Play music or turn on a sound playback device, you can let the light change the color and brightness with the rhythm of music, the music rhythm beautiful
- Inside multiple setting mode for color change and control LED strips without mobile
- Long distance control with omni-directional antenna, and many-to-many group control mode
- Once the connection is successful, connect automatically next time

1.3 Performance

LotusLantern APP is easy for use as well as great compatible with all kinds of smart phones; After the actual test of hundreds of mobile phones verification, the compatibility is above 95% of mobile phones in the market. APP is small and convenient, it consumes less system resources, so the requirements of the mobile configuration are low. Control delay is small, the operation feels good, light control is smooth with people's visual sense.

2. Operating Environment

This APP program requires phones of system above Andriod 4.3 and iOS 8.0. Mobile phone configuration is not limited.

3. Instructions

Note: Android version and iOS version download and use the same method, here in the Android version as an example.

3.1 APP Download

Scan the QR code

iOS and Android systems can download the "LotusLantern" APP by scanning the QR code. Open the browser or other tools with "Scan QR code" function, scan the "LotusLantern" QR code as below:

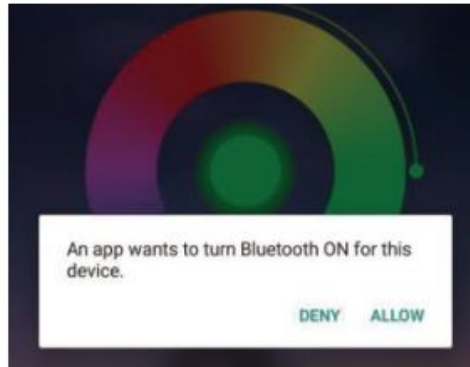


3.2 App Operation

(1) Click on the LotusLantern APP icon, enter the APP page:



(2) After entering the APP interface, if Bluetooth is not enabled, "an application wants to enable the Bluetooth function of this device." Click [Allow]



(3) switch to color and brightness interface:

Click to show the lamp list

Switch the color wheel

Display the RGB value
Click to manual
adjustment view

Click to shift the interface



Click to display setting view

Lamp switch button

Adjust the color

Click square icon to
adjust the color

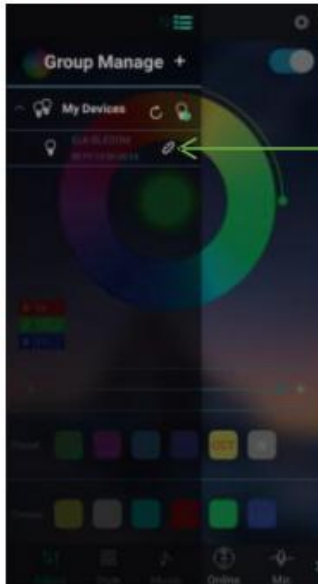
(4) click to show the lamp list, view lamp list:

Bluetooth auto connect
after search for devices

Lamp list

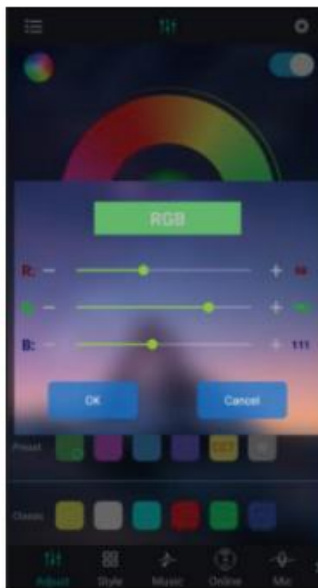


Status of device connection

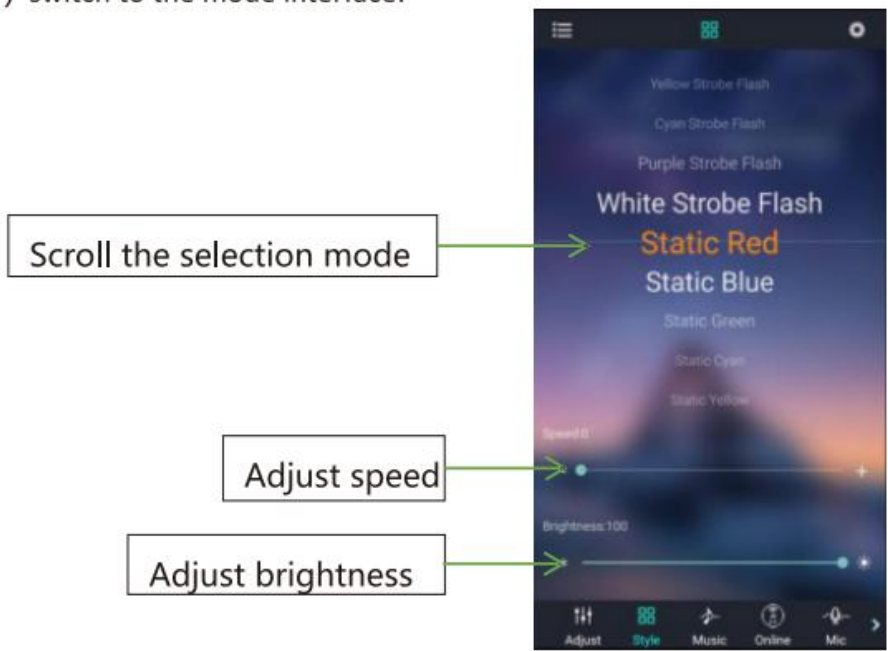


Status of device connection

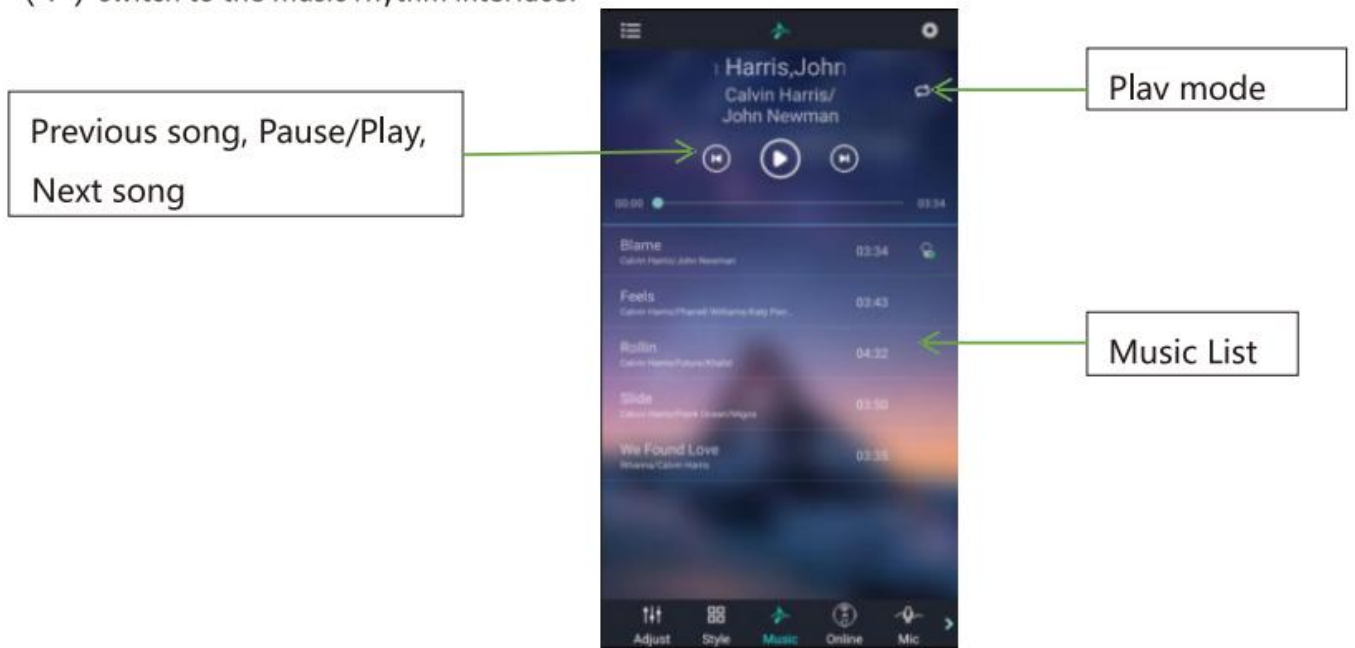
(5) Click to RGB manual adjustment view:



(6) switch to the mode interface:



(7) switch to the music rhythm interface:

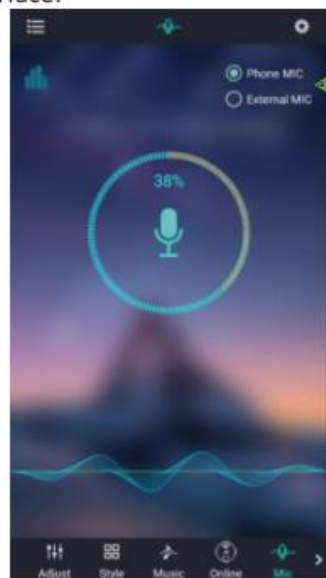


(8) Switch to the online music interface:



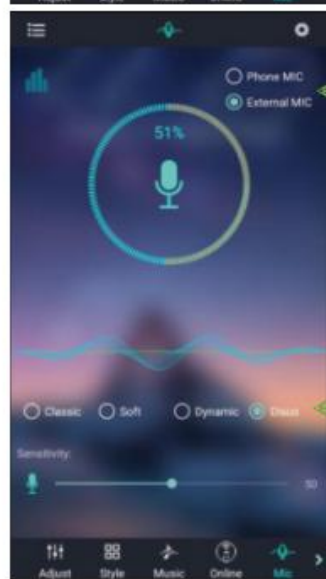
(9) Switch to the microphone rhythm interface:

Music rhythm through cell phone microphone



Switch phone microphone and external microphone

Music rhythm through the microphone on the product



Switch phone microphone and external microphone

4-style rhythm

Change the sensitivity of MIC to match the sound

(10) Switch to the schedule interface:

Set the time of Light-On

Set the time of Light-Off

Enable or disable the Light-On function

Repeat setting
No selection for once Light-On

Enable or disable the Light-Off function

Repeat setting
No selection for once Light-Off

(11) Switch to the modify pin sequence interface:

Click to save the new assignment

Change the real color of this line

Technical parameters:

Working temperature: -20-60°C (-4 F°-140 F°)

Power supply voltage: DC5-24V

Output: 3 Loops

Static power consumption: <0.5W

Output current: <3A(each circuit)5V <30W 12V<108 24V<21 6W

CERTIFICATE OF CONFORMITY

Certificate No.: KEYS23101138001EM-02

Applicant : Shenzhen Jiecheng Technology Co., Ltd
Address : South side of 4th floor, Building B, Sanmin Industrial Park,
Shuitian Community, Shiyan Street, Bao'an District, Shenzhen
Manufacturer : Shenzhen Jiecheng Technology Co., Ltd
Address : South side of 4th floor, Building B, Sanmin Industrial Park,
Shuitian Community, Shiyan Street, Bao'an District, Shenzhen
Trade mark : N/A
Product : LED light strip
Model No. : 5050-12V-60D-QC5 (Additional models see model list)

EMC Directive - 2014/30/EU

The standard(s) used for showing compliance with the essential requirements:

Applicable Standard(s) EN IEC 55015:2019+A11:2020
EN 61547:2009
EN IEC 61000-3-2:2019AMD.1:2021
EN 61000-3-3:2013+A1:2019+A2:2021

This certificate is part of the full test report(s) and should be read in conjunction with the test report: KEYS23101138001EM-02.

This certificate is based on an evaluation of one sample of above mentioned product. It does not imply assessment of the production of the product. Without the written approval of Guangdong KEYS Testing Technology Co., Ltd., this certificate is not permitted to be reproduced, except in full. It is not permitted to use the test lab's logo. The CE marking may only be used if all the relevant and effective European Directives are applicable.



Jason Zhan
Manager
Date: October 19, 2023

Guangdong KEYS Testing Technology Co., Ltd.

6 / f, Building B, Chuangyigu Industrial Park, No.5 Hehe Street, Songxi Road, Hengkeng, Liaobu, Dongguan City
Tel: + 86-0769-89798319
<http://www.keys-lab.com> E-mail: info@keys-lab.com

CERTIFICATE OF CONFORMITY

Certificate No.: KEYS23101138001LD-01

Model list:

Model	Rated current(Max. A)	Rated Power(Max. W)	Lenth (m)
5050-12V-30D-QC6	0.80	9.7	6
5050-12V-30D-QC5	0.79	9.6	5
5050-12V-30D-QC4.5	0.78	9.5	4.5
5050-12V-30D-QC4	0.77	9.3	4
5050-12V-30D-QC3.5	0.75	9.1	3.5
5050-12V-30D-QC3	0.722	8.67	3
5050-12V-30D-QC2.5	0.68	8.16	2.5
5050-12V-30D-QC2	0.62	7.43	2
5050-12V-30D-QC1.5	0.535	6.42	1.5
5050-12V-30D-QC1	0.41	4.98	1
5050-12V-60D-QC5	1.58	19	5
5050-12V-60D-QC4	1.51	18	4
5050-12V-60D-QC3	1.38	16.6	3
5050-12V-60D-QC2	1.15	13.8	2
5050-12V-60D-QC1	0.74	8.98	1
5050-5V-30D-QC5	0.66	3.36	5
5050-5V-30D-QC4	0.65	3.3	4
5050-5V-30D-QC3	0.64	3.24	3
5050-5V-30D-QC2	0.58	2.97	2
5050-5V-30D-QC1.5	0.52	2.67	1.5
5050-5V-30D-QC1.3	0.49	2.47	1.3
5050-5V-30D-QC1.2	0.47	2.39	1.2
5050-5V-30D-QC1.1	0.44	2.27	1.1
5050-5V-30D-QC1	0.42	2.14	1
5050-5V-30D-QC0.7	0.33	1.69	0.7
5050-5V-30D-QC0.5	0.25	1.28	0.5
5050-5V-30D-QC0.4	0.21	1.08	0.4
5050-5V-60D-QC5	0.32	6.7	5
5050-5V-60D-QC0.4	1.3	6.6	4
5050-12V-30D-HC5	0.28	6.4	3
5050-12V-30D-HC4	1.16	5.91	2
5050-12V-30D-HC3	1.04	5.34	1.5
5050-12V-30D-HC2	0.98	4.94	1.3
5050-12V-30D-HC1	0.84	4.27	1
5050-12V-60D-HC5	0.65	3.37	0.7
5050-12V-60D-HC4	0.51	2.41	0.5
5050-12V-60D-HC3	0.42	2.16	0.4
5050-12V-60D-HC2	1.13	14.1	5
5050-12V-60D-HC1	1.0	13	4

Guangdong KEYS Testing Technology Co., Ltd.

6 / f, Building B, Chuangyigu Industrial Park, No.5 Hehe Street, Songxi Road, Hengkeng, Liaobu, Dongguan City
 Tel: + 86-0769-89798319

<http://www.keys-lab.com> E-mail: info@keys-lab.com

Dongguan Jun'an Testing & Certification Co., Ltd.

Room 303, Building 1, No.316, Renzhou Road,
Shatian, Dongguan, Guangdong, China
www.junantest.com TEL:0769-81710286



CERTIFICATE OF CONFORMITY

No: JAT2406200211IEC-1

Applicant : Shantou Jinshiyuan Electric Appliance Co., Ltd.
Address : Jiafen Building ,Hualan Building 3rd Street, Ximeizhu Village, Simapu Town, Chaonan District, Shantou City
Manufacturer : Shantou Jinshiyuan Electric Appliance Co., Ltd.
Address : Jiafen Building ,Hualan Building 3rd Street, Ximeizhu Village, Simapu Town, Chaonan District, Shantou City
EUT : AC/DC ADAPTER
Trade Mark : N/A
M/N : JSY-1230、JSY-1225、JSY-1220、JSY-0930、JSY-0920、JSY-2410、JSY-2415

The submitted sample of the above equipment has been tested and found to comply with the following European Directive:

Electromagnetic Compatibility Directive 2014/30/EU

The standard(s) used for showing compliance with the essential requirements:

Applicable Standard(s)	Test Report(s) Number
EN IEC 55015:2019+A11:2020 EN IEC 61547:2023 EN IEC 61000-3-2:2019+A2:2024 EN 61000-3-3:2013+A2:2021+AC:2022-01	JAT24062002111ER-1

This certificate is part of the full test report(s) and should be read in conjunction with it. This certificate is based on an evaluation of one sample of above mentioned product. It does not imply assessment of the production of the product. Without the written approval of Dongguan Jun'an Testing & Certification Co., Ltd., this certificate is not permitted to be reproduced, except in full. It is not permitted to use the test lab's logo. The CE marking may only be used if all the relevant and effective European Directive are applicable.



(Manager)

June 18, 2024



SGS



CERTIFICATE ENEC16/FI/22/01033

Our Ref. HEL-CERT2211018/04-01

Certificate holder Heavy Power Co. Ltd.
No. 7, Lane 106, Wukung 3rd Road
Wuku District, New Taipei City, 248, Taiwan

Product Screwless terminal

Trademark (if any)

Type PC62* Series (PC622, PC623, PC 625)

Rating and principal characteristics 0,2-4 mm², 450 V, T85, T110

Is complying with the following European Standards EN 60998-1:2004
EN 60998-2-2:2004

It is authorized to use the ENEC Mark in conjunction with the suffix 16, as shown above.

Validity This certificate is valid until 2028-01-03 provided that the Conditions for ENEC certification are met. This certificate includes the right to use the ENEC 16 mark under the condition that changes (if any) will be checked at SGS Fimko before the product is brought onto market and that the conditions for ENEC certification are met.

This certificate has been issued under the presumption and conditional on the fact that the licensee holds all necessary legal rights with regard to the product presented for testing and certification.

Date of issue 2023-01-03

SGS Fimko Ltd

Signature
Jonas Leinohe
Certification Manager



Page 1 of 2

This document is issued by the Company under its General Conditions of Service accessible at http://www.sgs.com/terms_and_conditions.htm. Attention is drawn to the limitation of liability, indemnification and jurisdiction issues defined therein.

Any holder of this document is advised that information contained hereon reflects the Company's findings at the time of its intervention only and within the limits of Client's instructions, if any. The Company's sole responsibility is to its Client and this document does not exonerate parties to a transaction from exercising all their rights and obligations under the transaction documents. Any unauthorized alteration, forgery or falsification of the content or appearance of this document is unlawful and offenders may be prosecuted to the fullest extent of the law.

SGS Fimko Ltd

Takomatie 8, FI-00380 Helsinki, Finland
t. +358 9 696 361 www.sgs.fi

Business ID 0978538-5

Member of the SGS Group (SGS SA)

CERTIFICATE OF CONFORMITY



Certificate No. CTK20210303004EMC

Certificate's Holder : **HK ZEROUNO LAMP CO.,LTD**
 Address : 3rd Building, Diamond Industrial Park, Fuqing 2nd Road
 Henglan town, Zhongshan city, Guangdong Province
 China

Product Name : **LED Wall Lamp**
 Model(s) : For details see the appendix

Applicable Standard(s) : EN IEC 55015:2019+A11:2020
 EN 61547: 2009
 EN IEC 61000-3-2:2019
 EN 61000-3-3: 2013+A1: 2019

The submitted products have been tested by us with the above standards and found in compliance with the following European Directives:

Electromagnetic Compatibility Directive 2014/30/EU

Note: This certificate is only valid for the equipment and configuration described, and in conjunction with the test data detailed above. The CE mark as show joined can be used, under the responsibility of the manufacturer or the importer, after completion of the CE Declaration of Conformity and in accordance with the above directives.

Issuing Date: 24.03.2021

Expiry Date: 23.03.2026



Thomas Diong
 Thomas Diong
 Chief Certification Manager

GUANGZHOU CERTITEK TESTING SERVICES CO., LTD.

Room703/7F, Development Building, Tian An Hi-Teck Ecological Park

No.555 North Road Panyu Avenue, Panyu District, Guangzhou, 511400, China

☎ + 86 20 3921 1670 ✎ + 86 20 3921 1640 ✉ Info@certitek.cn 🌐 www.certitek.co.uk v3.0

Appendix

Certificate No. CTK20210303004EMC



Page 1 of 1

Models : UNO-BH-001, UNO-BH-002, UNO-BH-003, UNO-BH-004, UNO-BH-005, UNO-BH-006, UNO-BH-007, UNO-BH-008, UNO-BH-009, UNO-BH-010, UNO-BH-011, UNO-BH-012, UNO-BH-013, UNO-BH-014, UNO-BH-015, UNO-BH-016, UNO-BH-017, UNO-BH-018, UNO-BH-019, UNO-BH-020, UNO-BH-021, UNO-BH-022, UNO-BH-023, UNO-BH-024, UNO-BH-025, UNO-BH-026, UNO-BH-027, UNO-BH-028, UNO-BH-029, UNO-BH-030, UNO-BH-031, UNO-BH-032, UNO-BH-033, UNO-BH-034, UNO-BH-035, UNO-BH-036, UNO-BH-037, UNO-BH-038, UNO-BH-039, UNO-BH-040, UNO-BH-041, UNO-BH-042, UNO-BH-043, UNO-BH-044, UNO-BH-045, UNO-BH-046, UNO-BH-047, UNO-BH-048, UNO-BH-049, UNO-BH-050, UNO-BH-051, UNO-BH-052, UNO-BH-053, UNO-BH-054, UNO-BH-055, UNO-BH-056, UNO-BH-057, UNO-BH-058, UNO-BH-059, UNO-BH-060, UNO-BH-061, UNO-BH-062, UNO-BH-063, UNO-BH-064, UNO-BH-065, UNO-BH-066, UNO-BH-067, UNO-BH-068, UNO-BH-069, UNO-BH-070, UNO-BH-071, UNO-BH-072, UNO-BH-073, UNO-BH-074, UNO-BH-075

GUANGZHOU CERTITEK TESTING SERVICES CO., LTD.

Room703/7F, Development Building, Tian An Hi-Teck Ecological Park

No.555 North Road Panyu Avenue, Panyu District, Guangzhou, 511400, China

☎ + 86 20 3921 1670 📠 + 86 20 3921 1640 ✉ Info@certitek.cn 🌐 www.certitek.co.uk v3.0