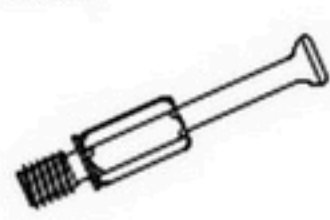



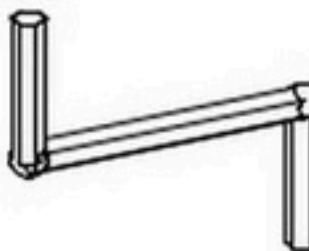
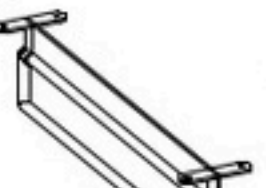



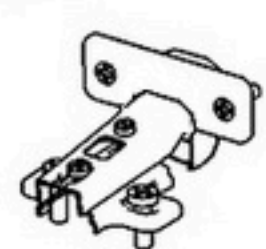


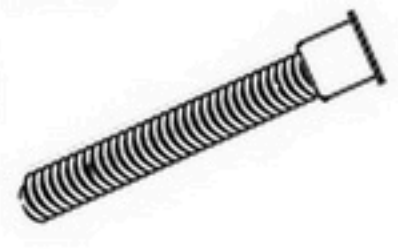

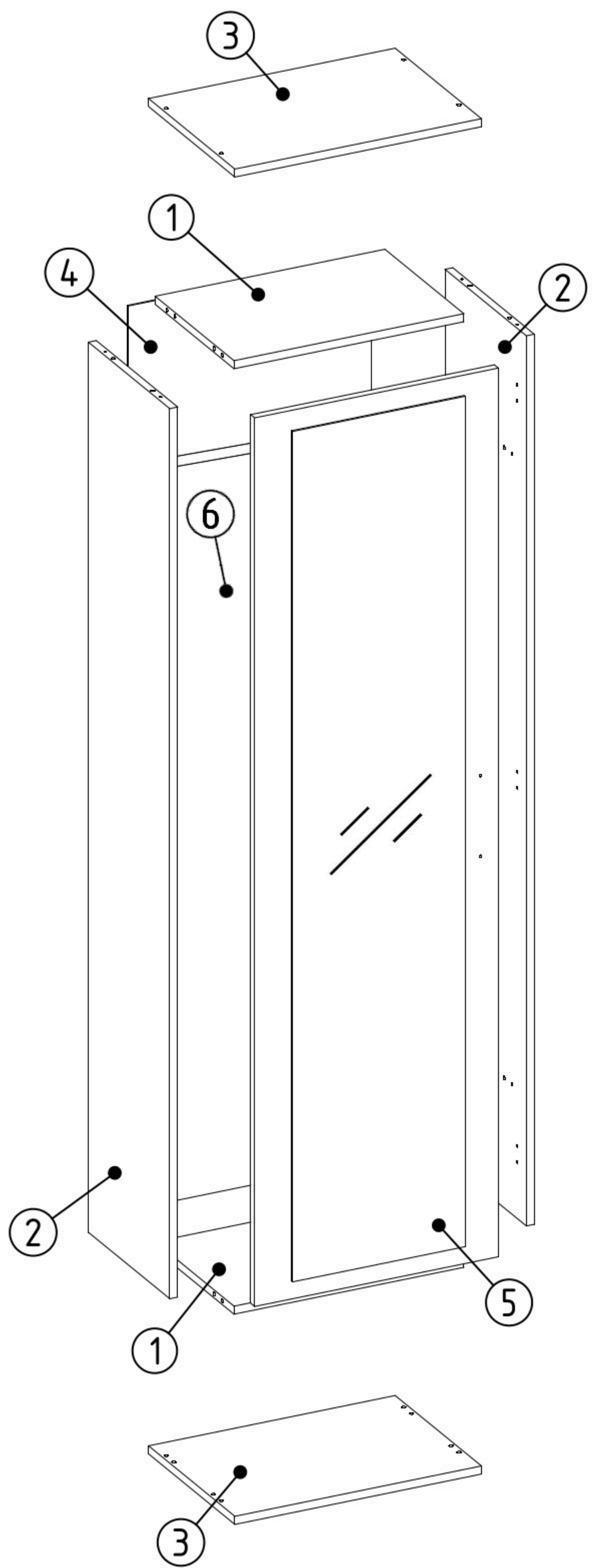
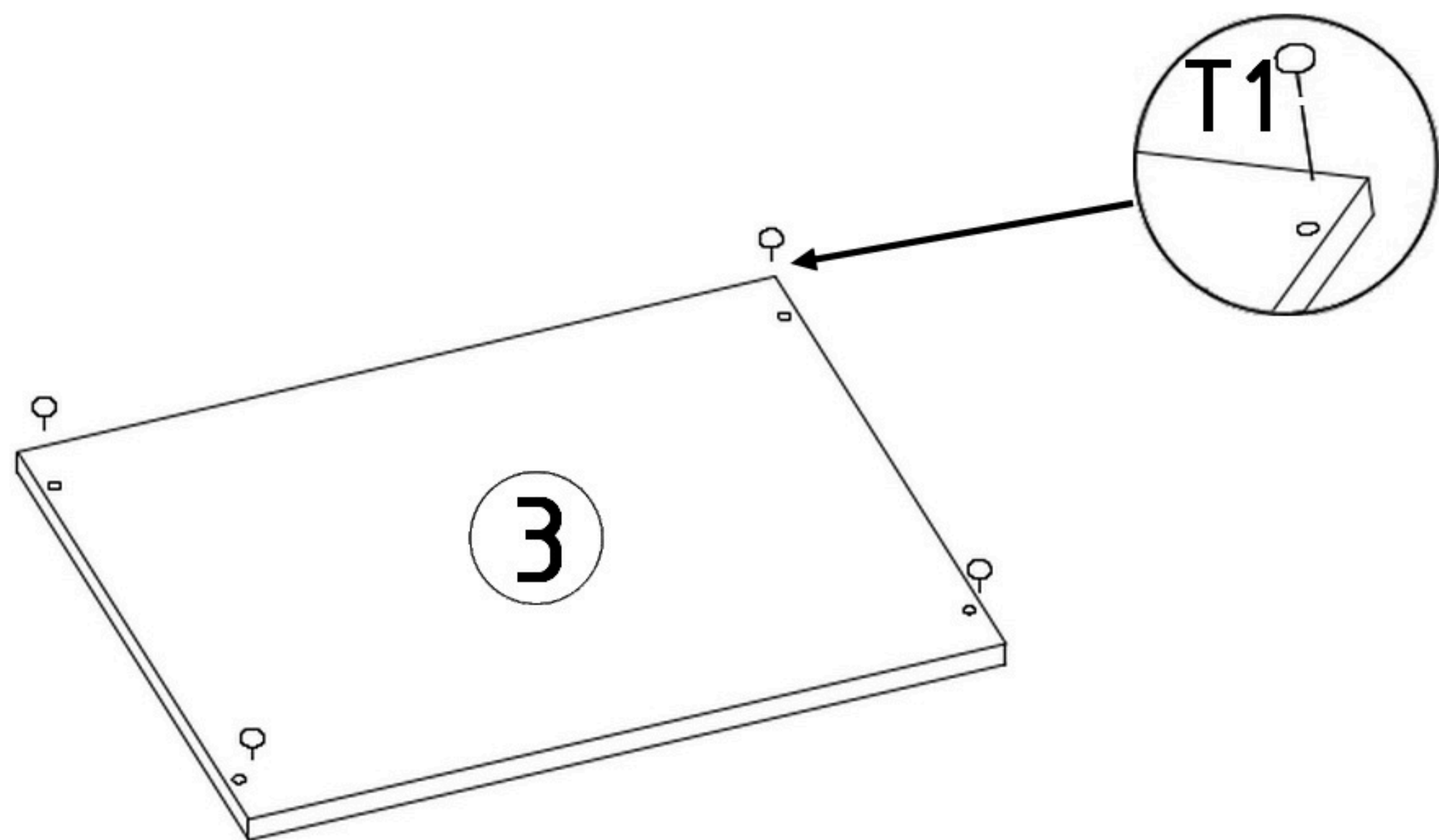
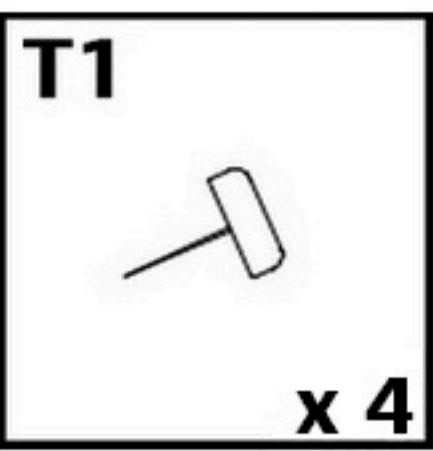
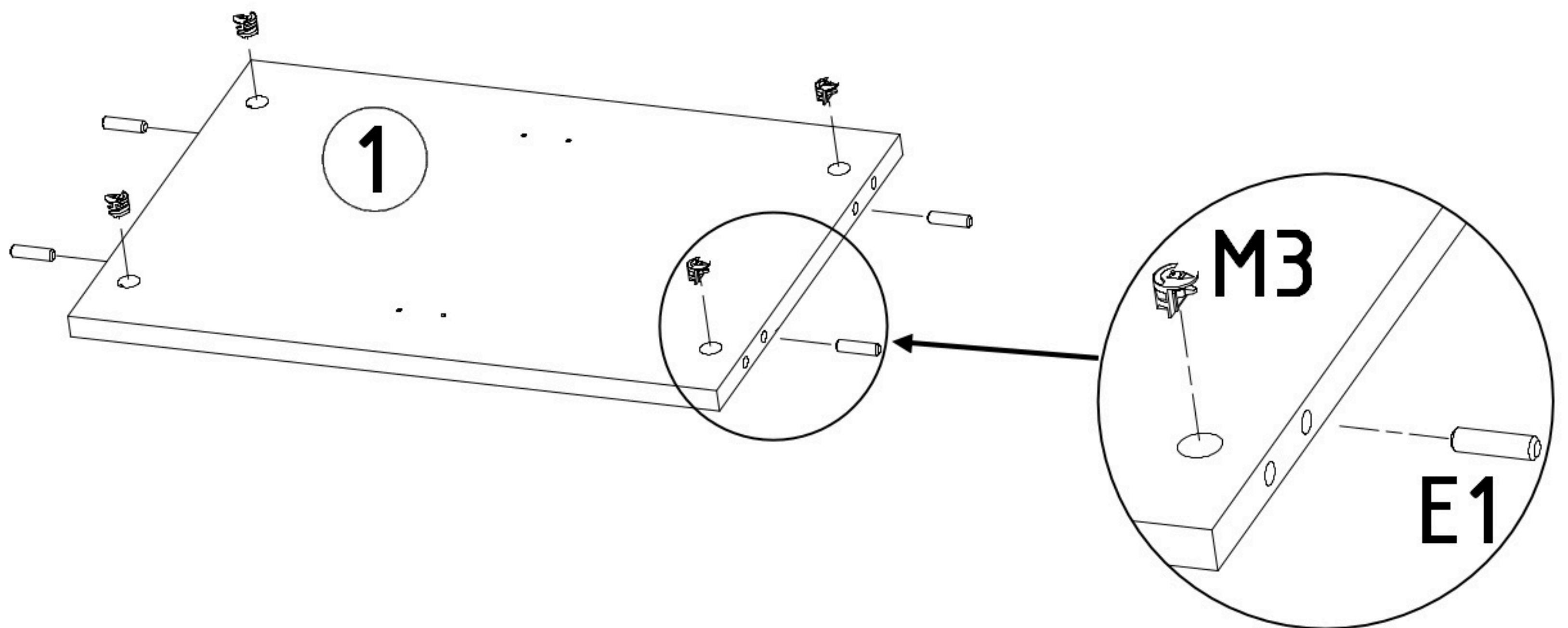
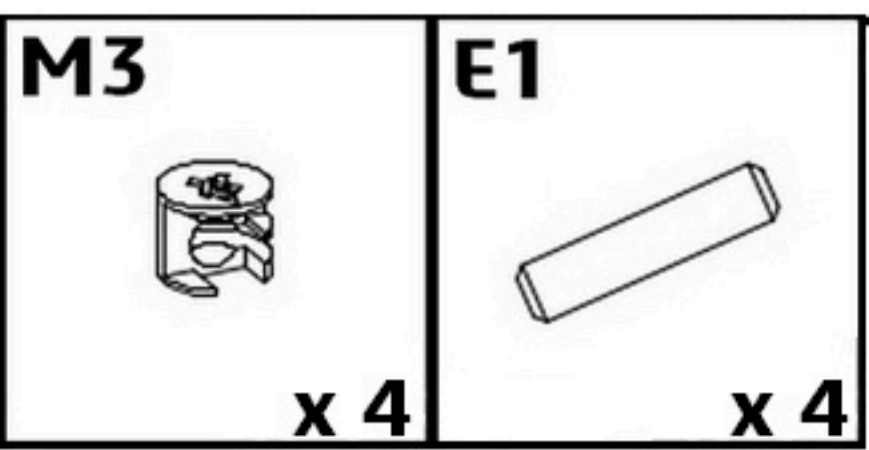
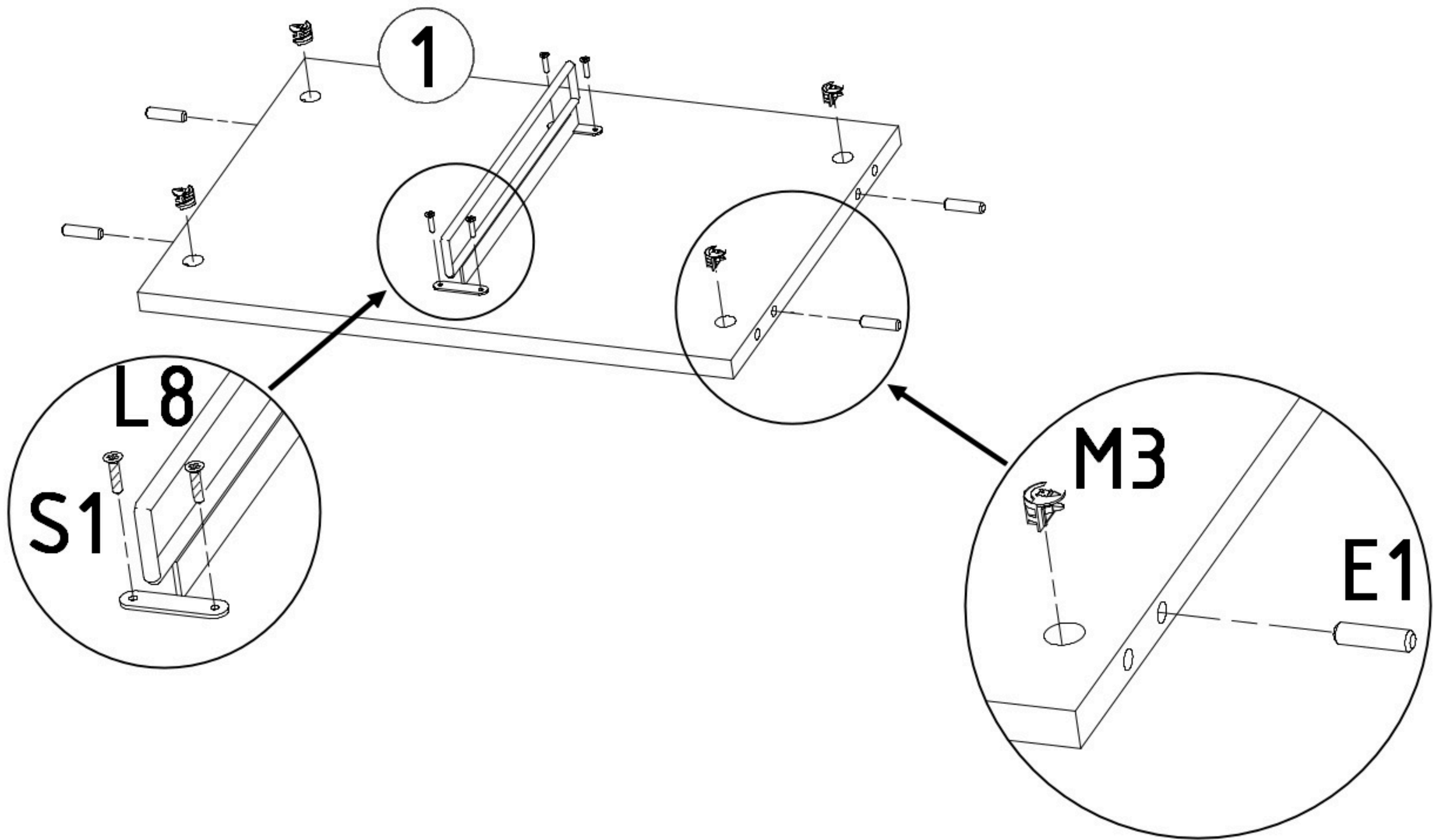
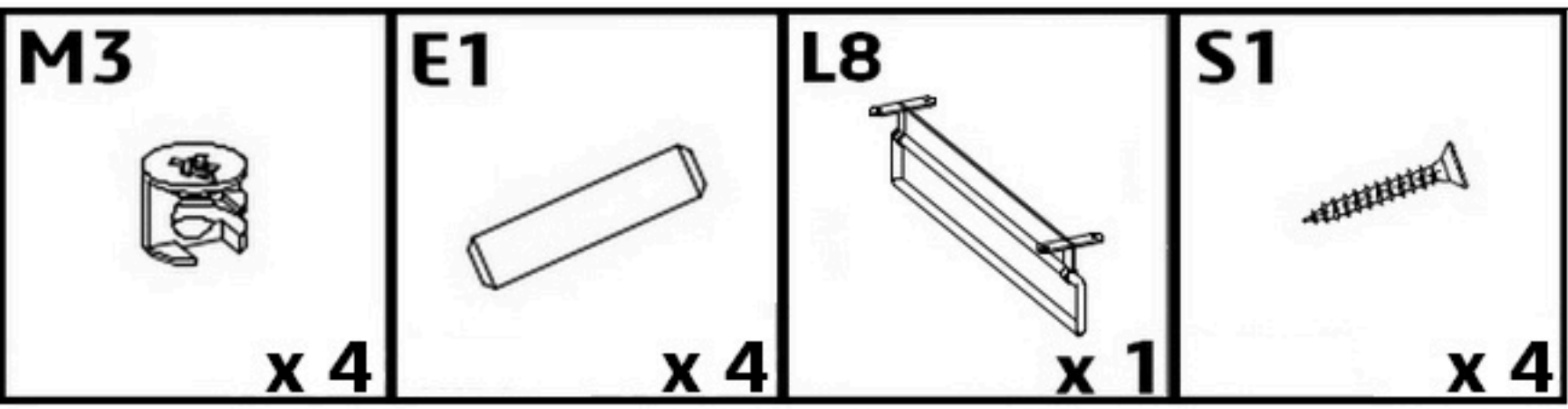
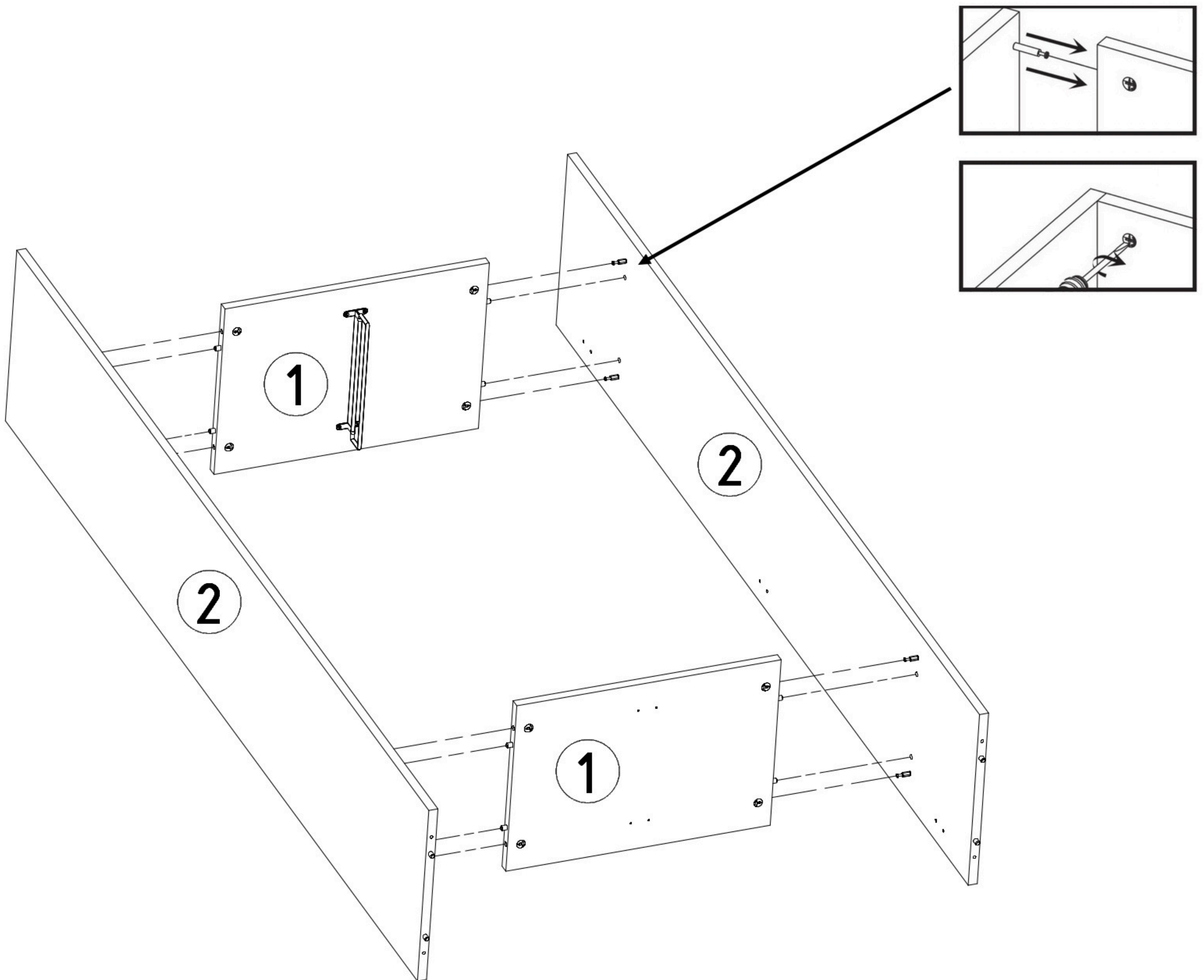
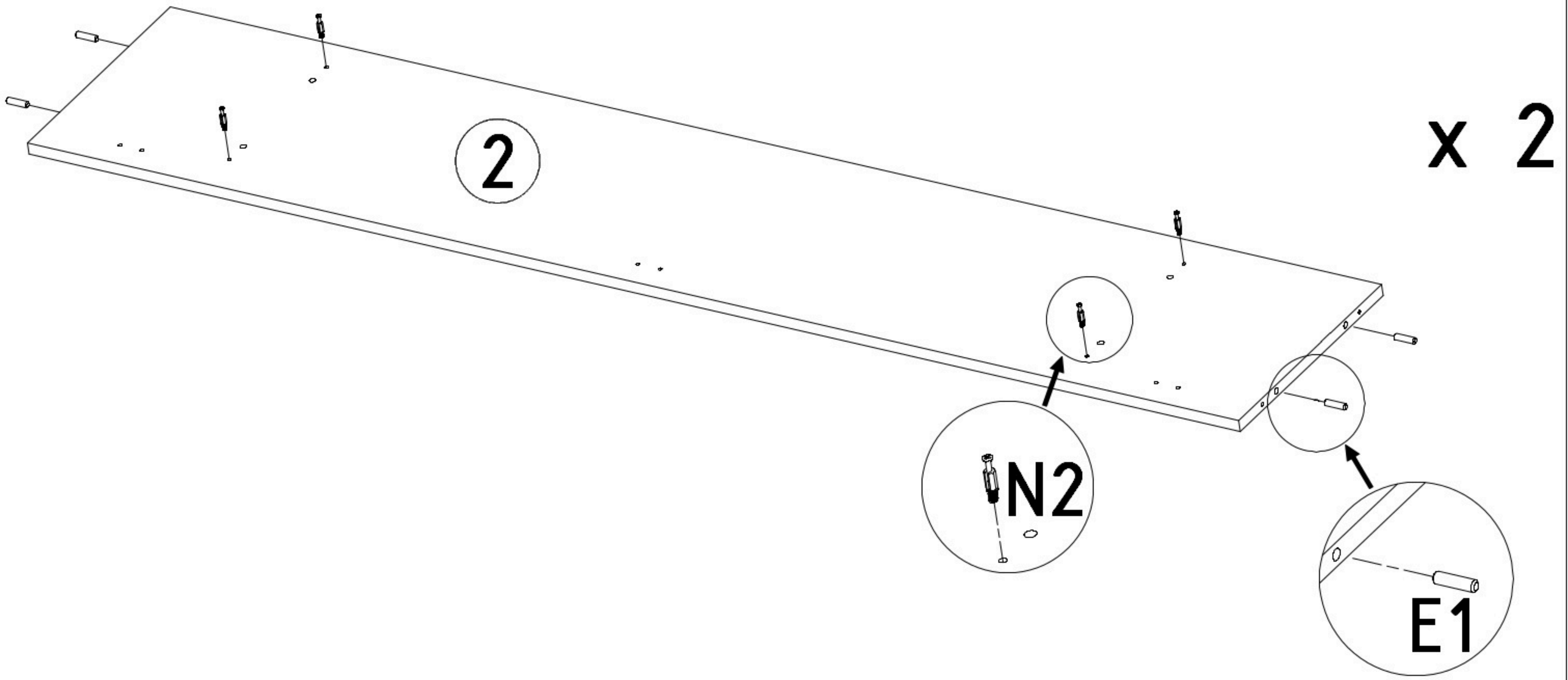
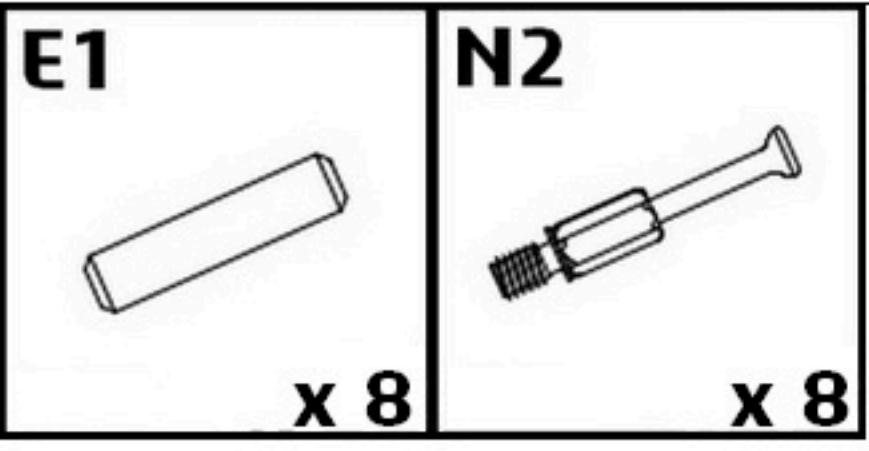


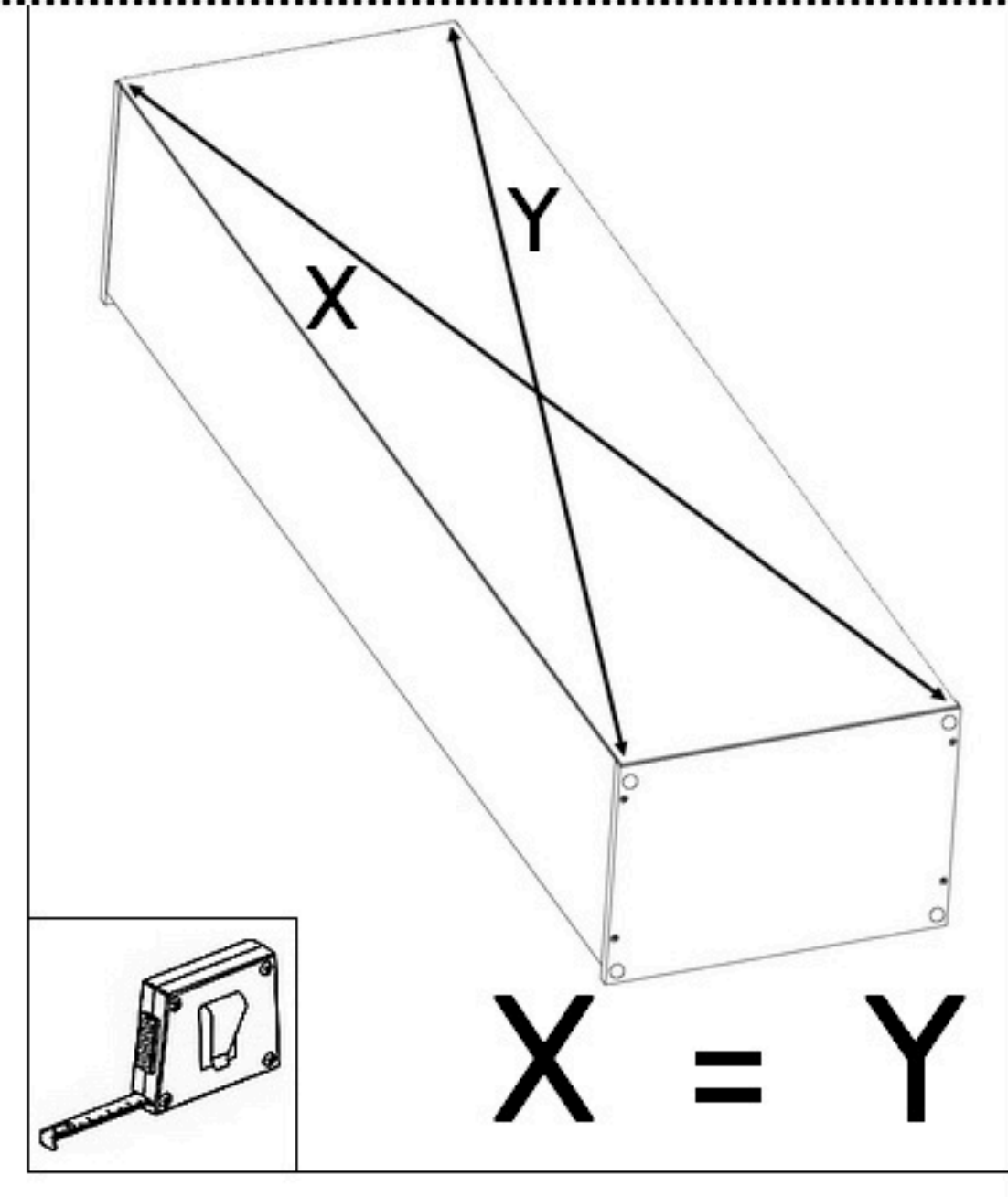
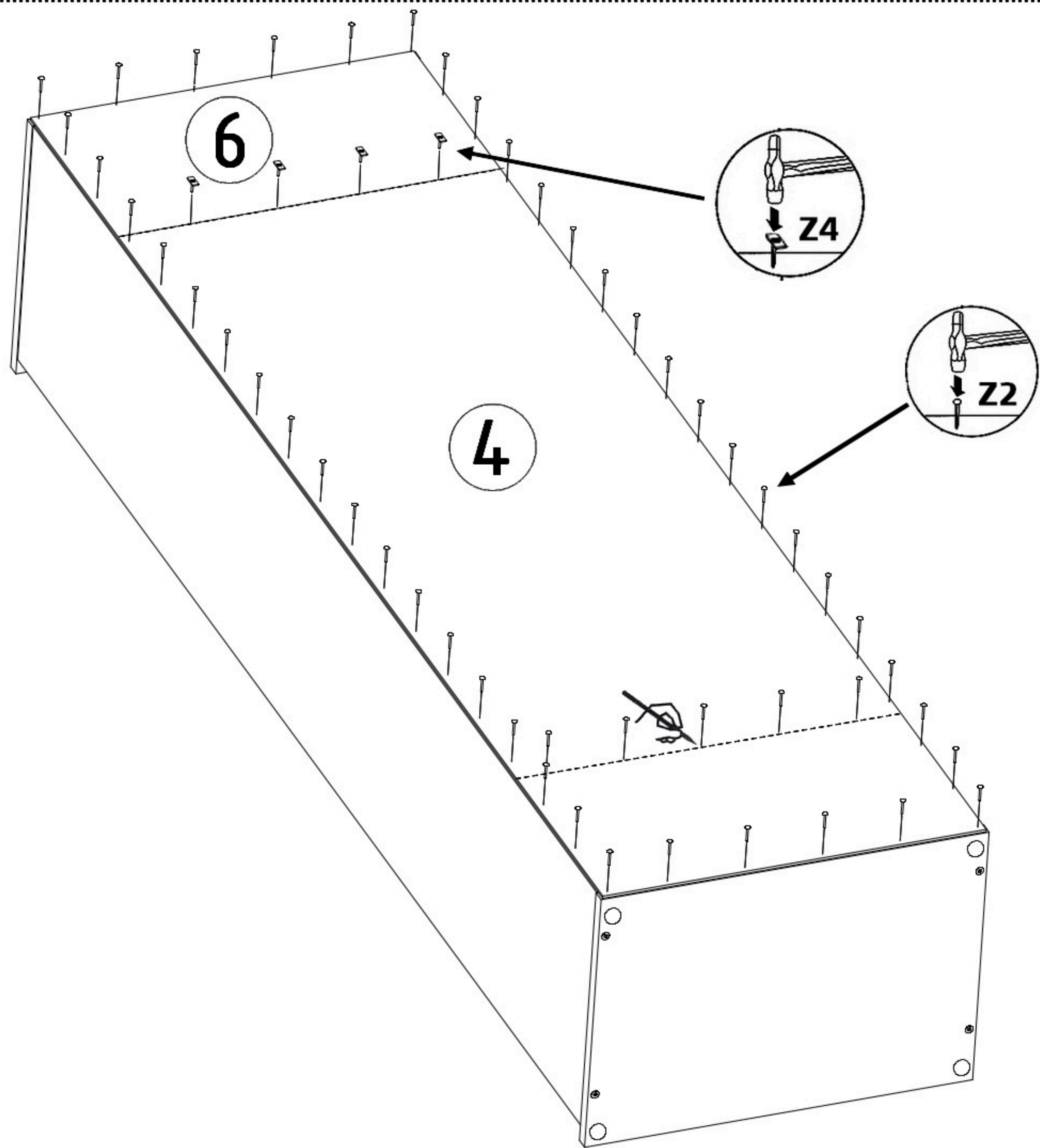
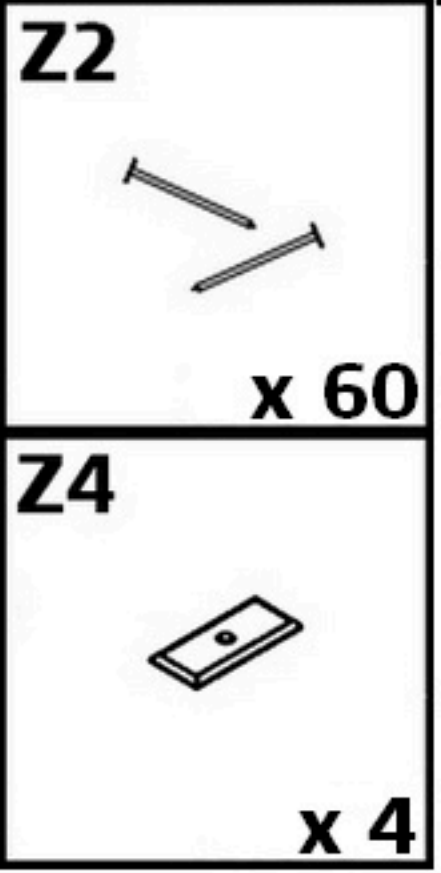
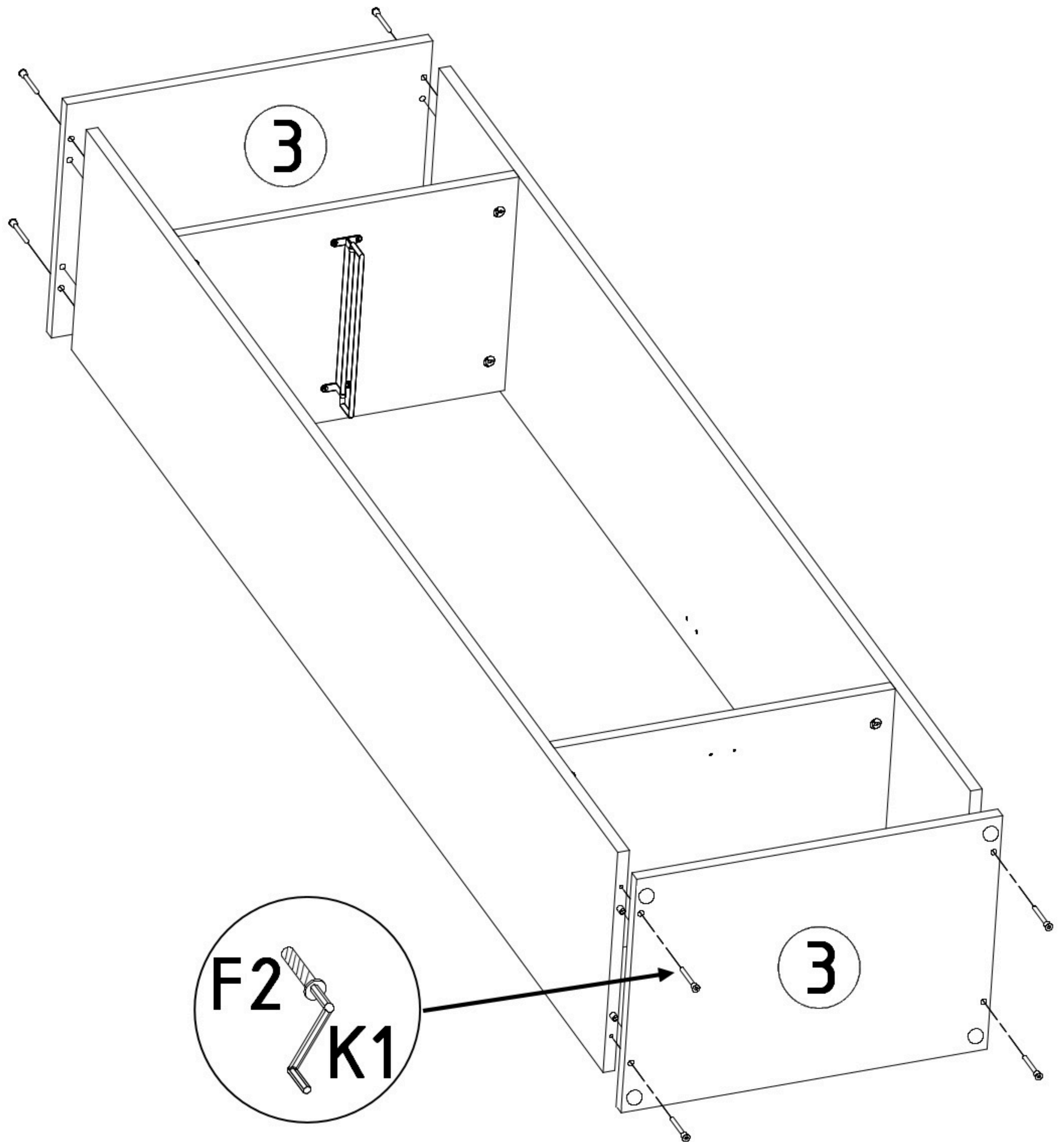
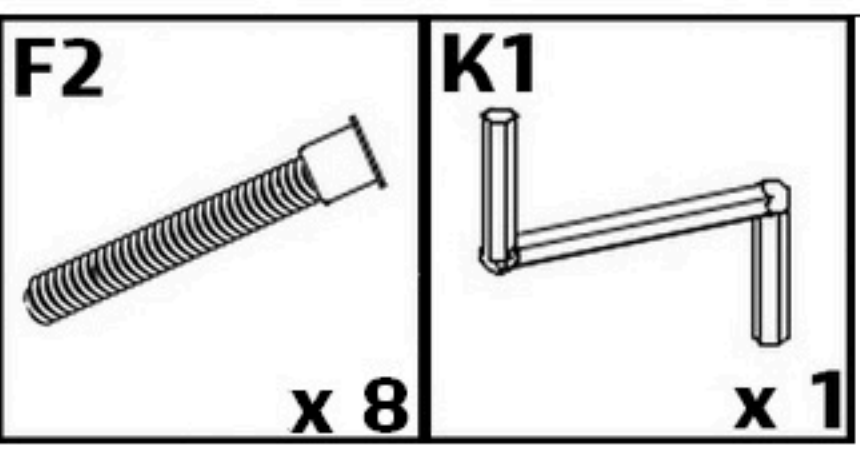
N2  L=35mm x 8	M3  12x15mm x 8	S3  4x27mm x 2	S1  3,5x16mm x 10	K1  x 1	L8  x 1	Z4  x 4
T1  x 4	Z2  x 60	A0  ZP x 3	E1  8x30mm x 16	U6  L=190mm x 1	F2  7x50mm x 8	 x 1


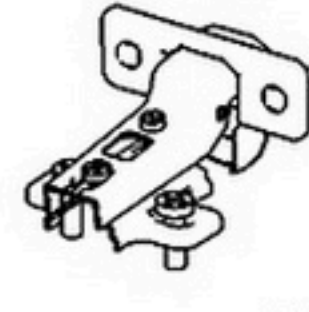




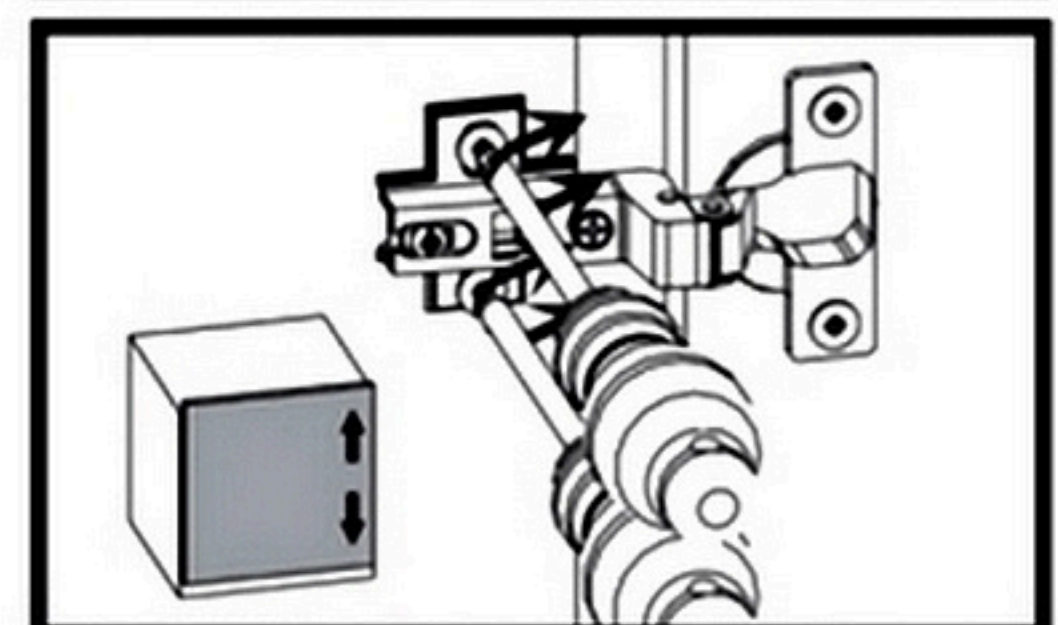
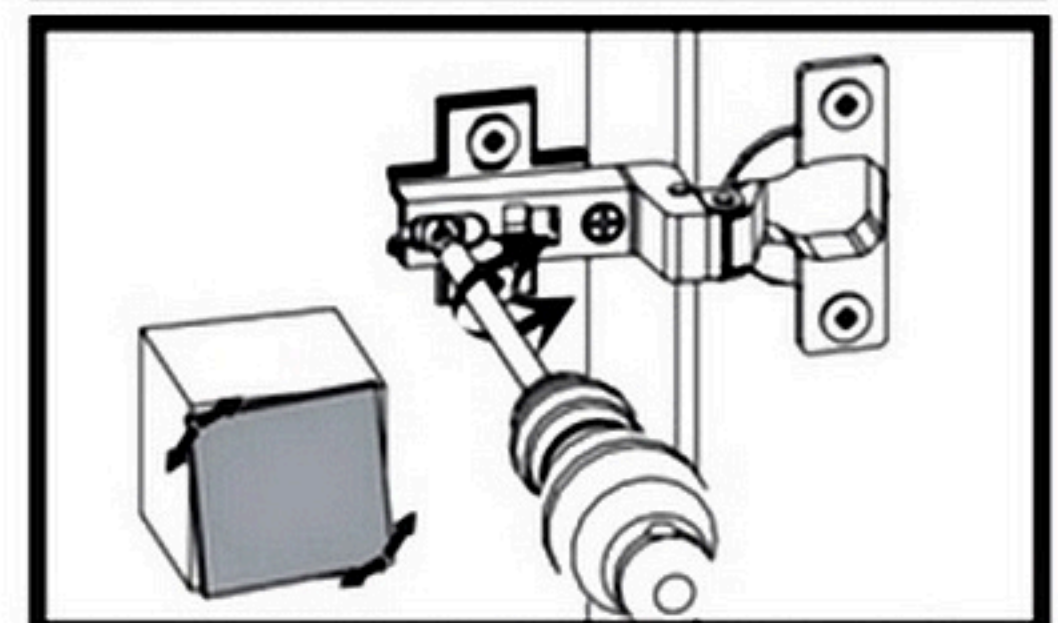
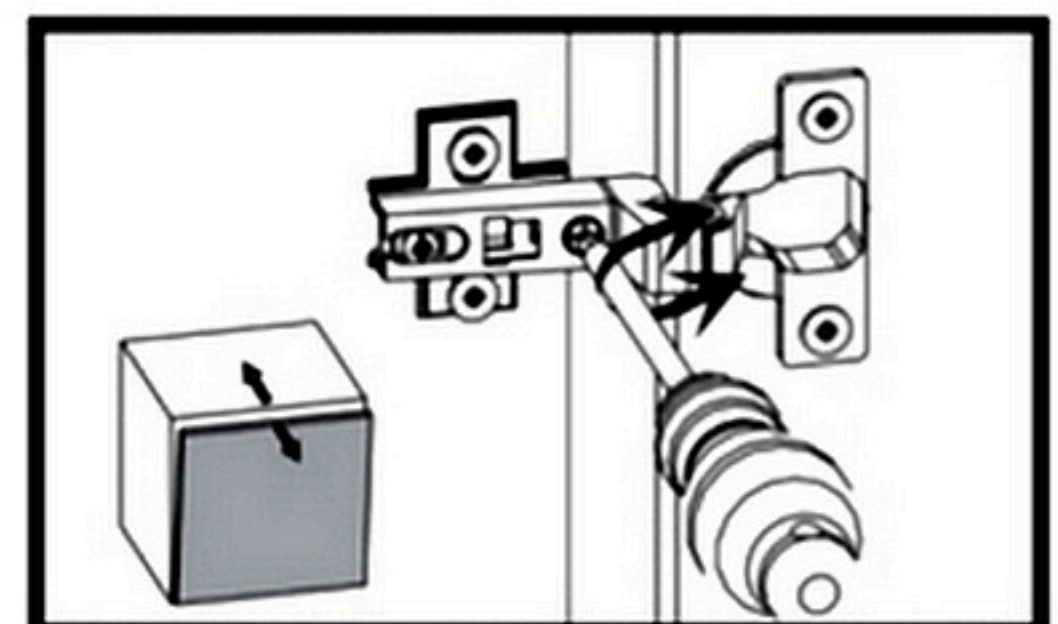
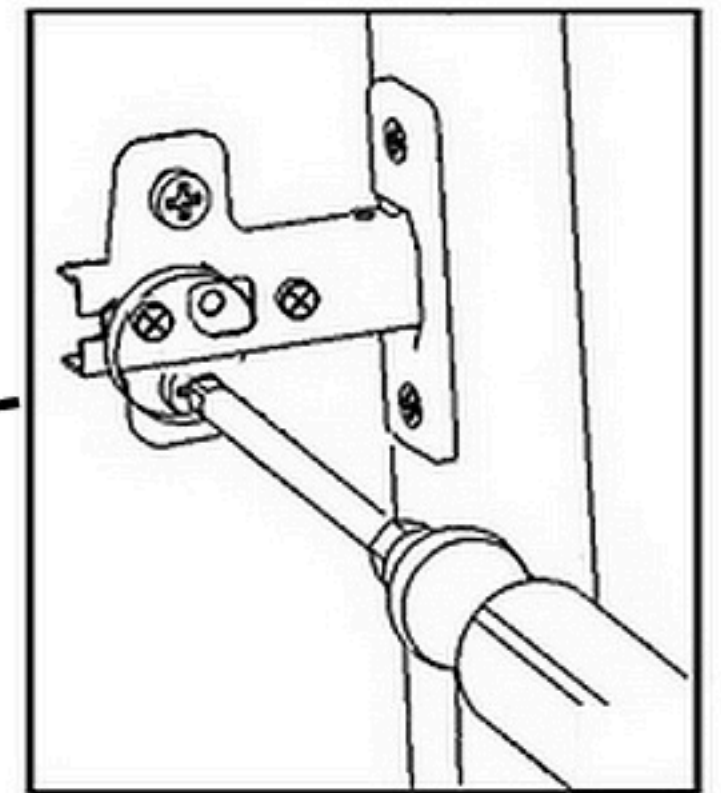
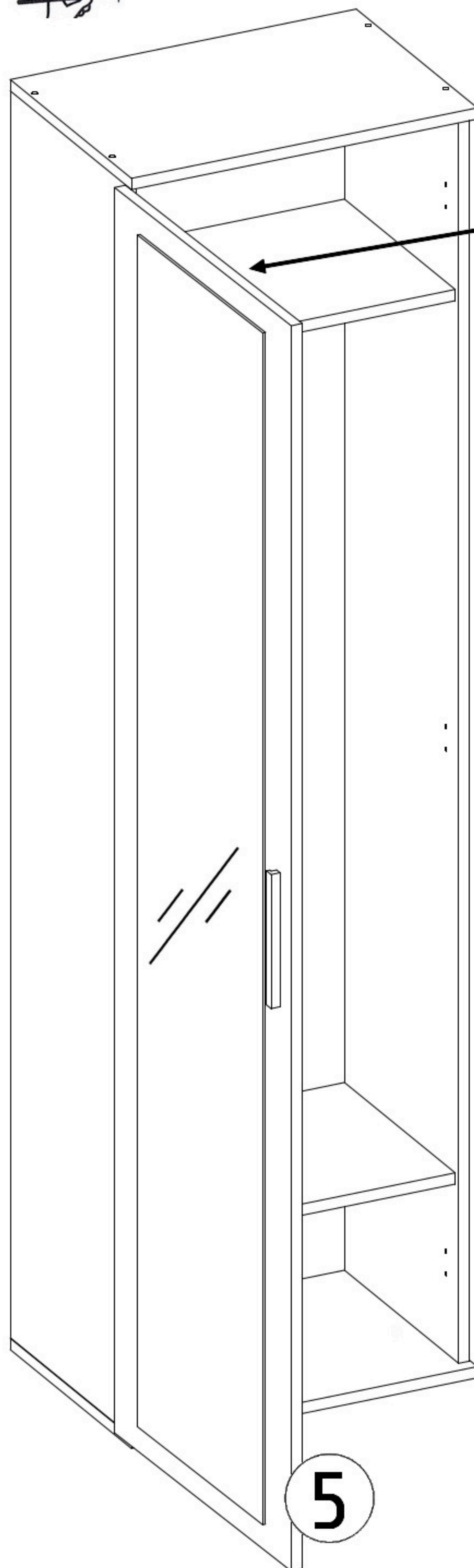
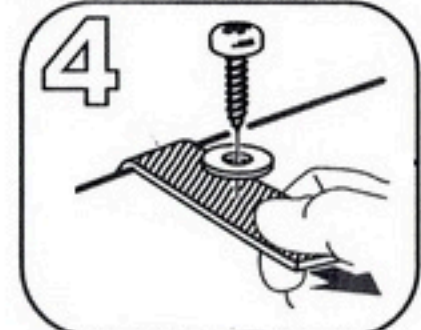
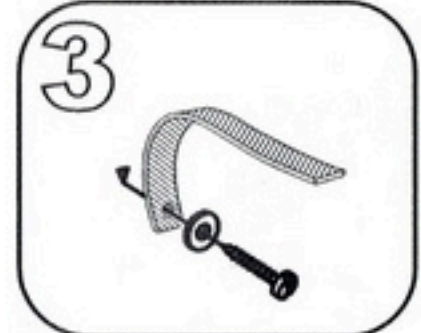
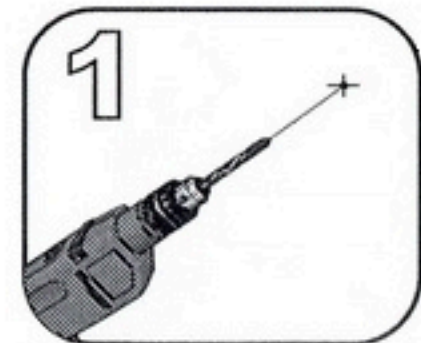
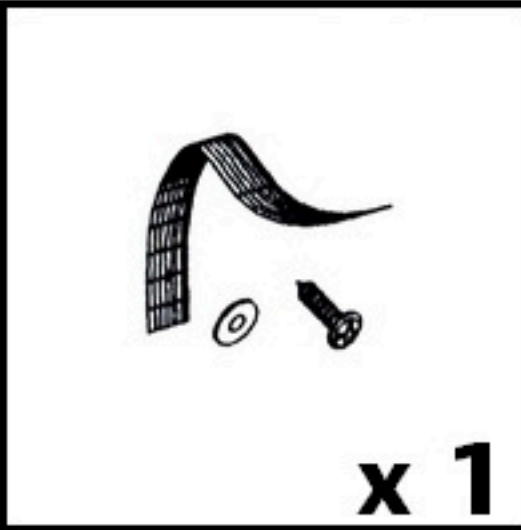
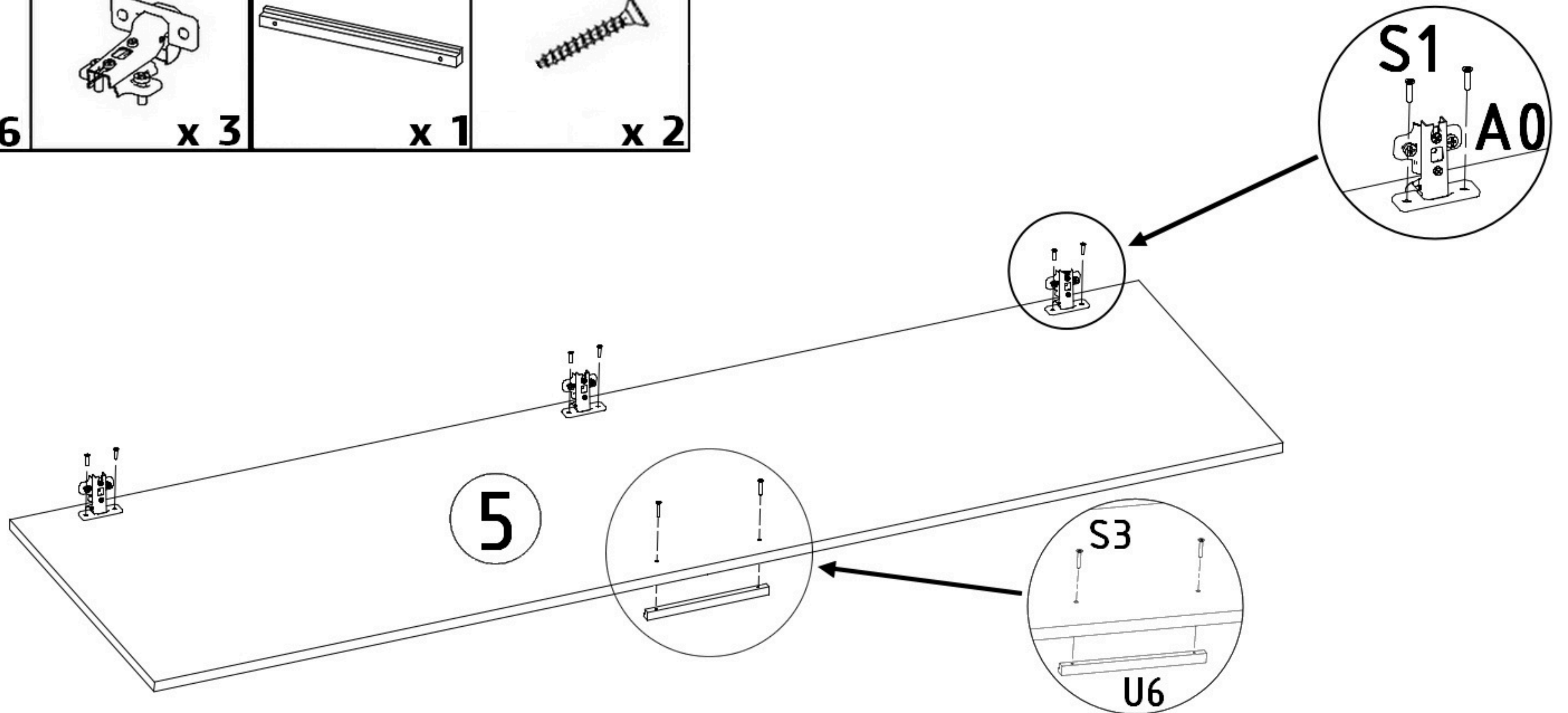
1	x 2
2	x 2
3	x 2
4	x 1
5	x 1
6	x 1

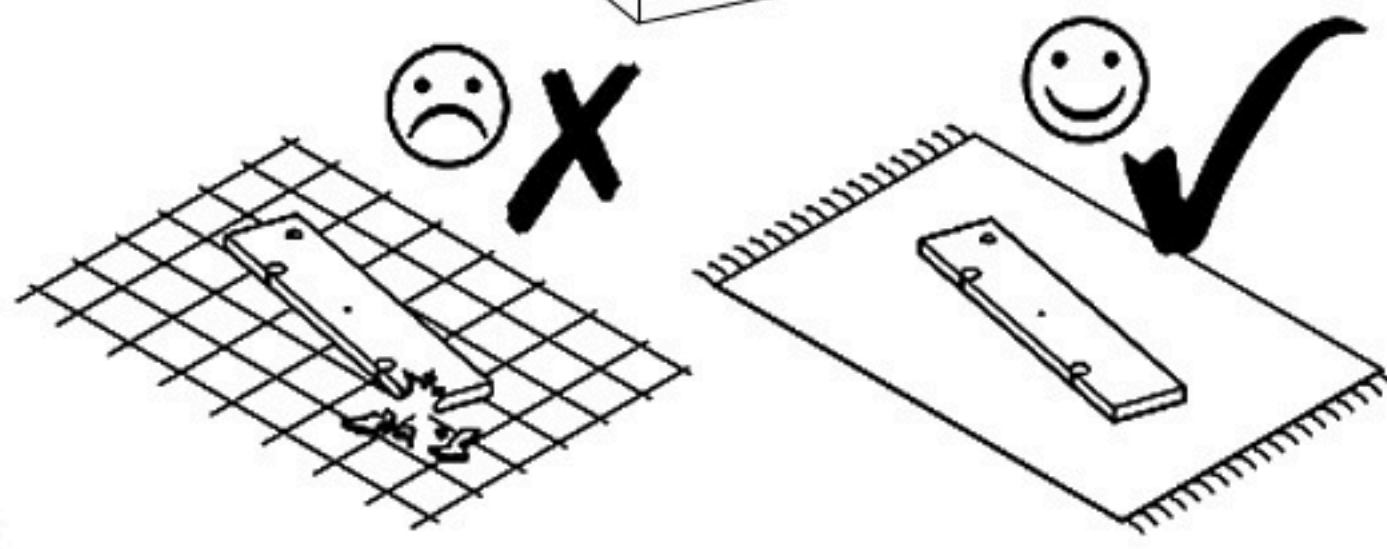
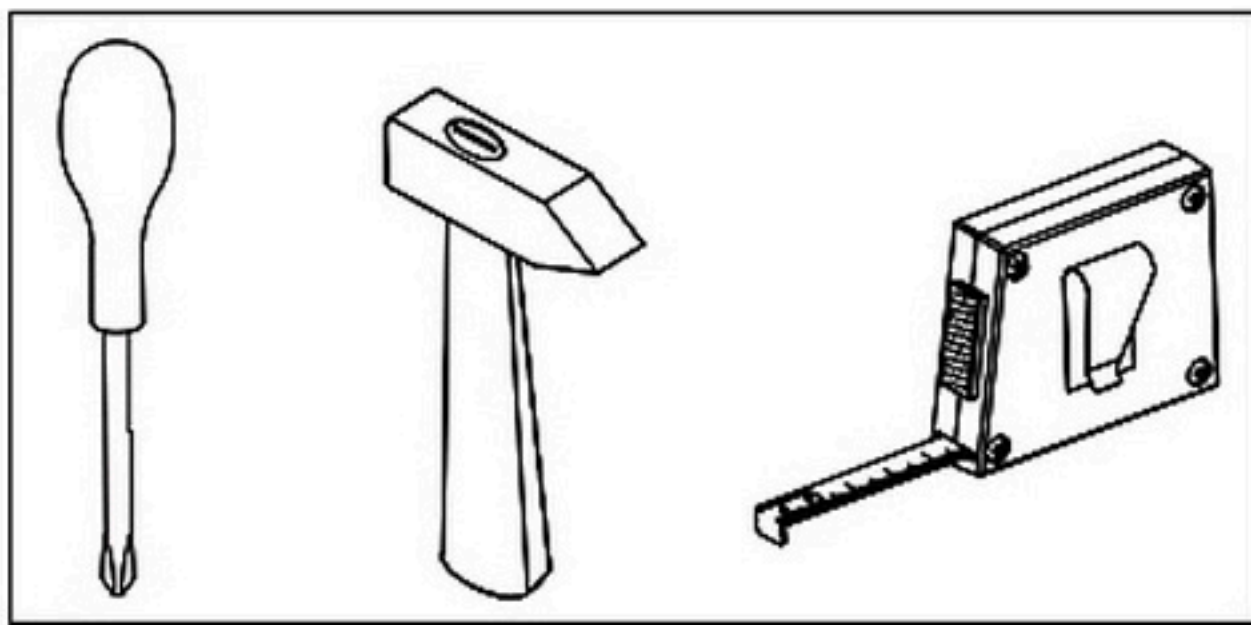
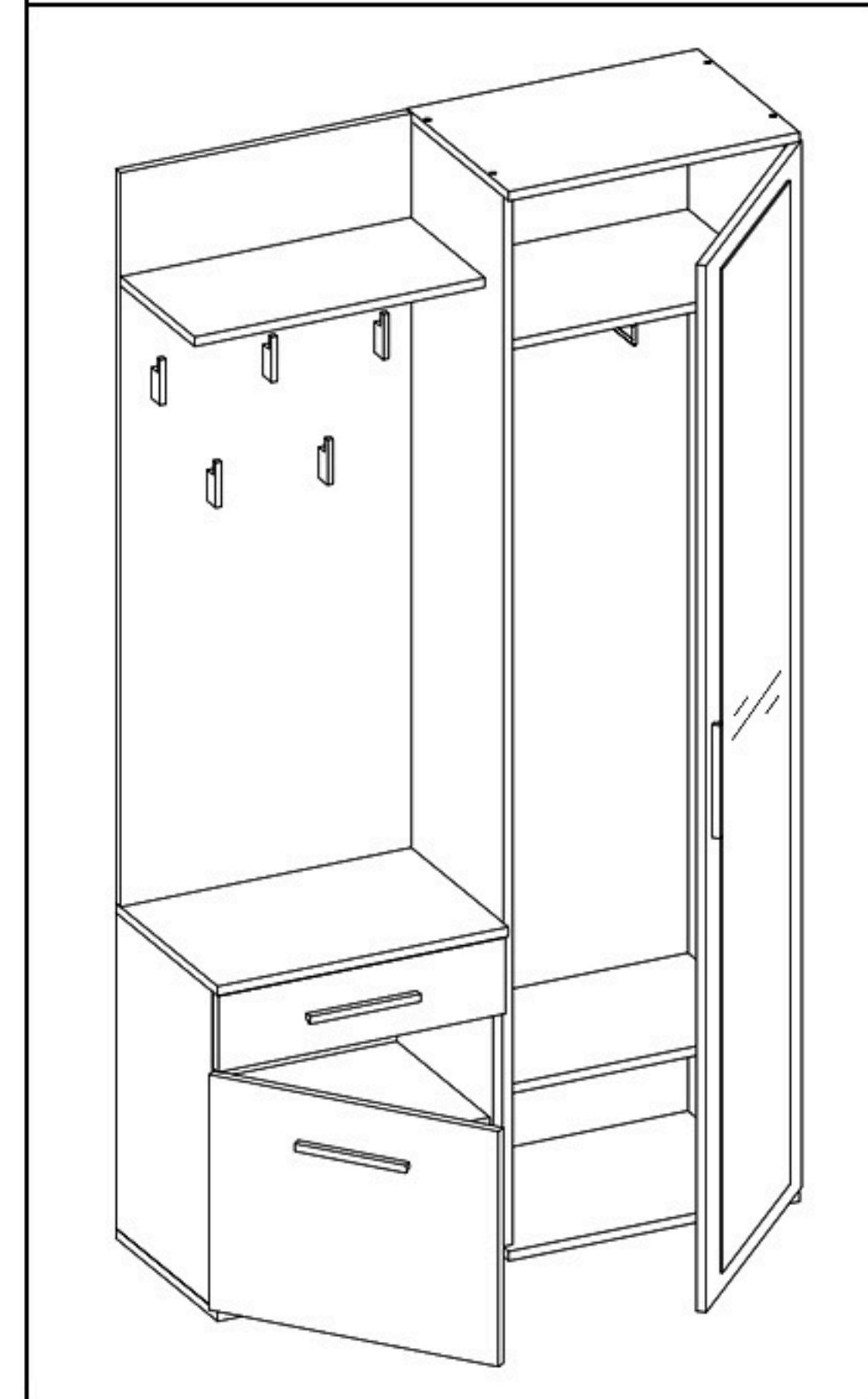
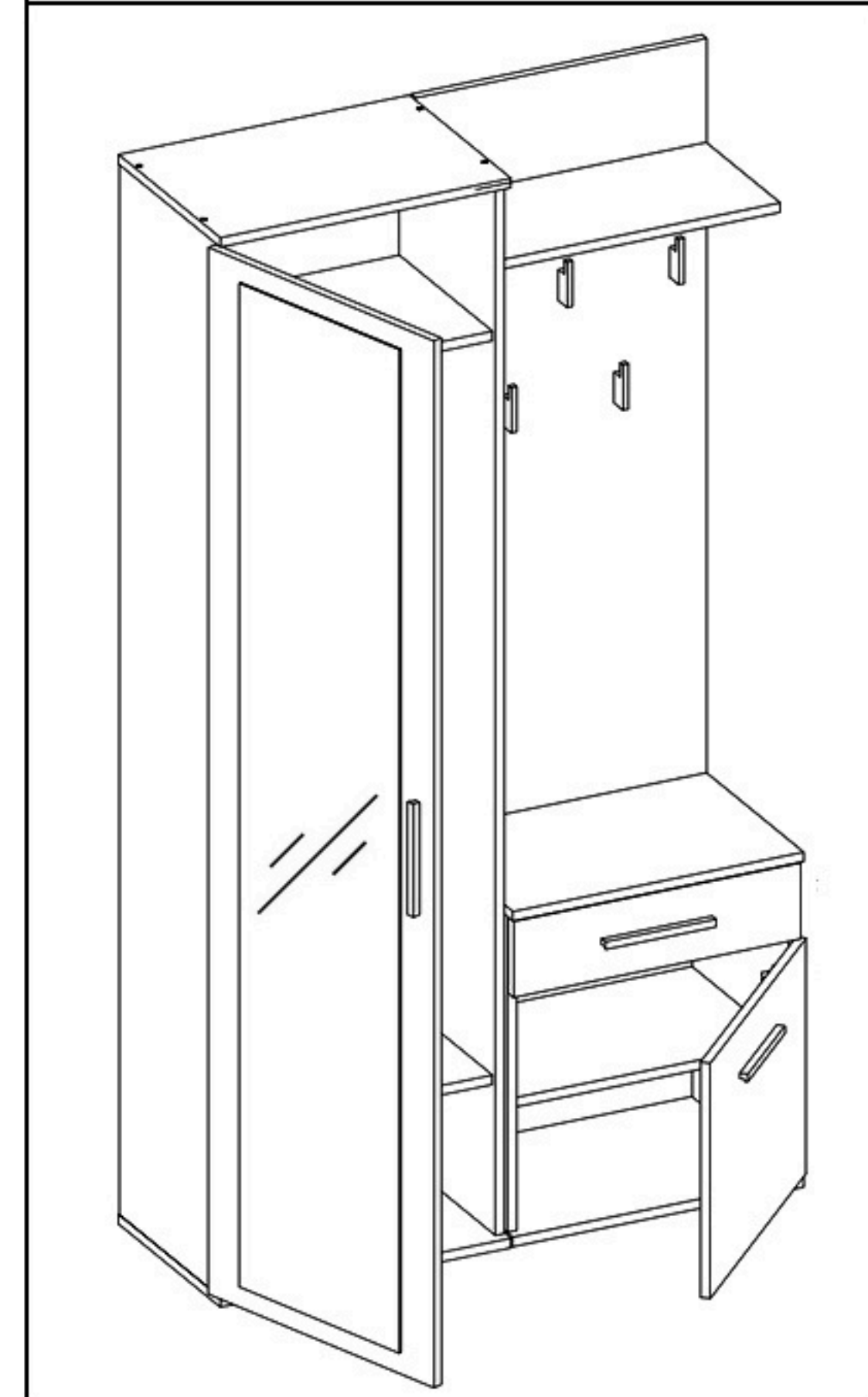
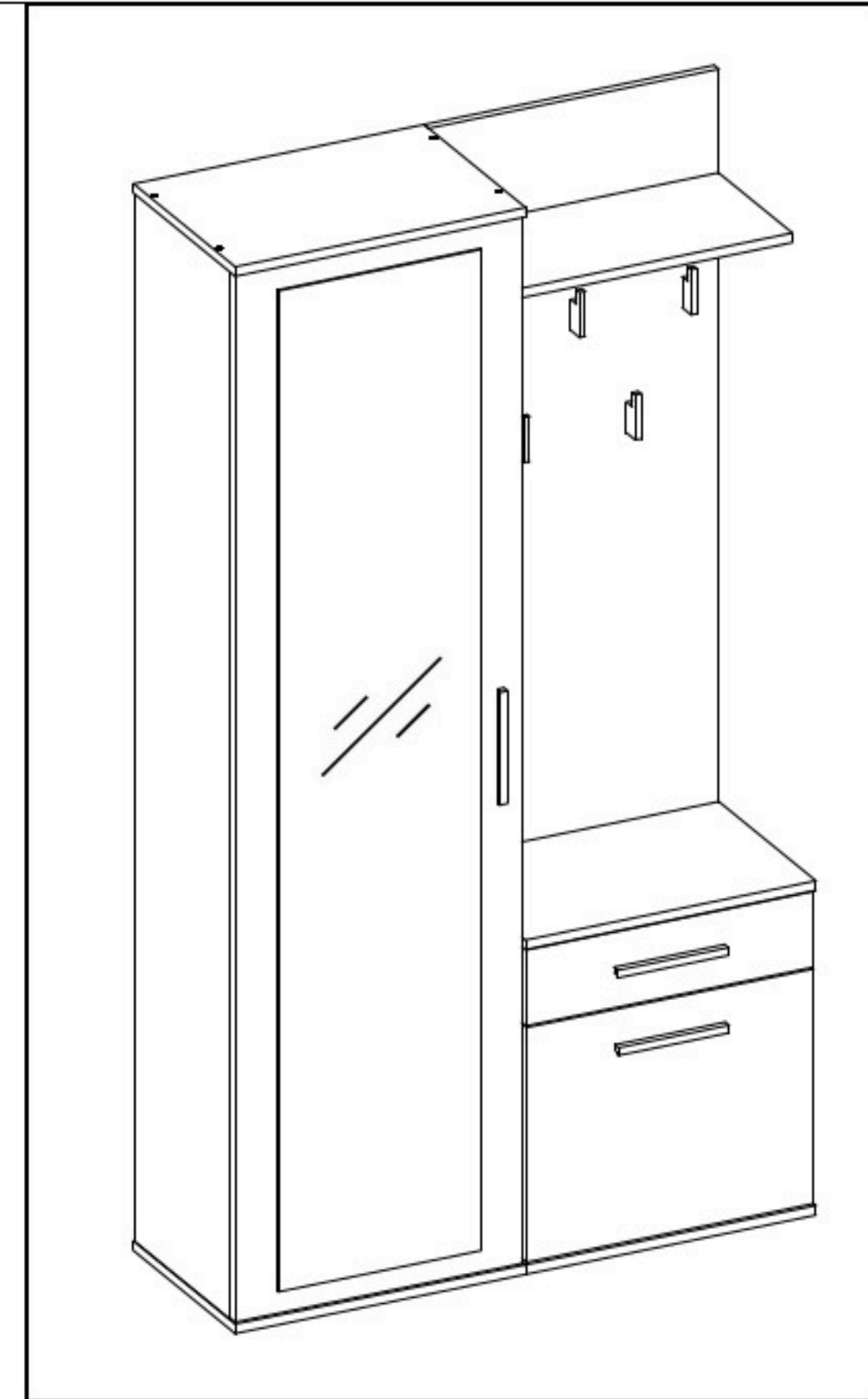
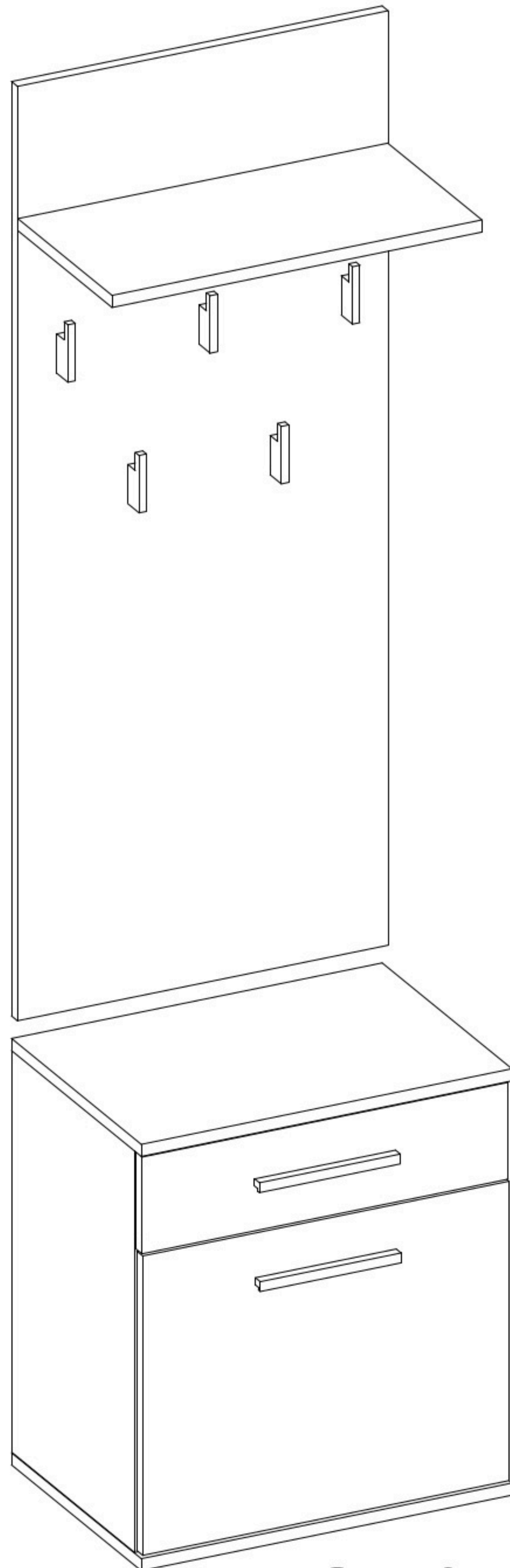
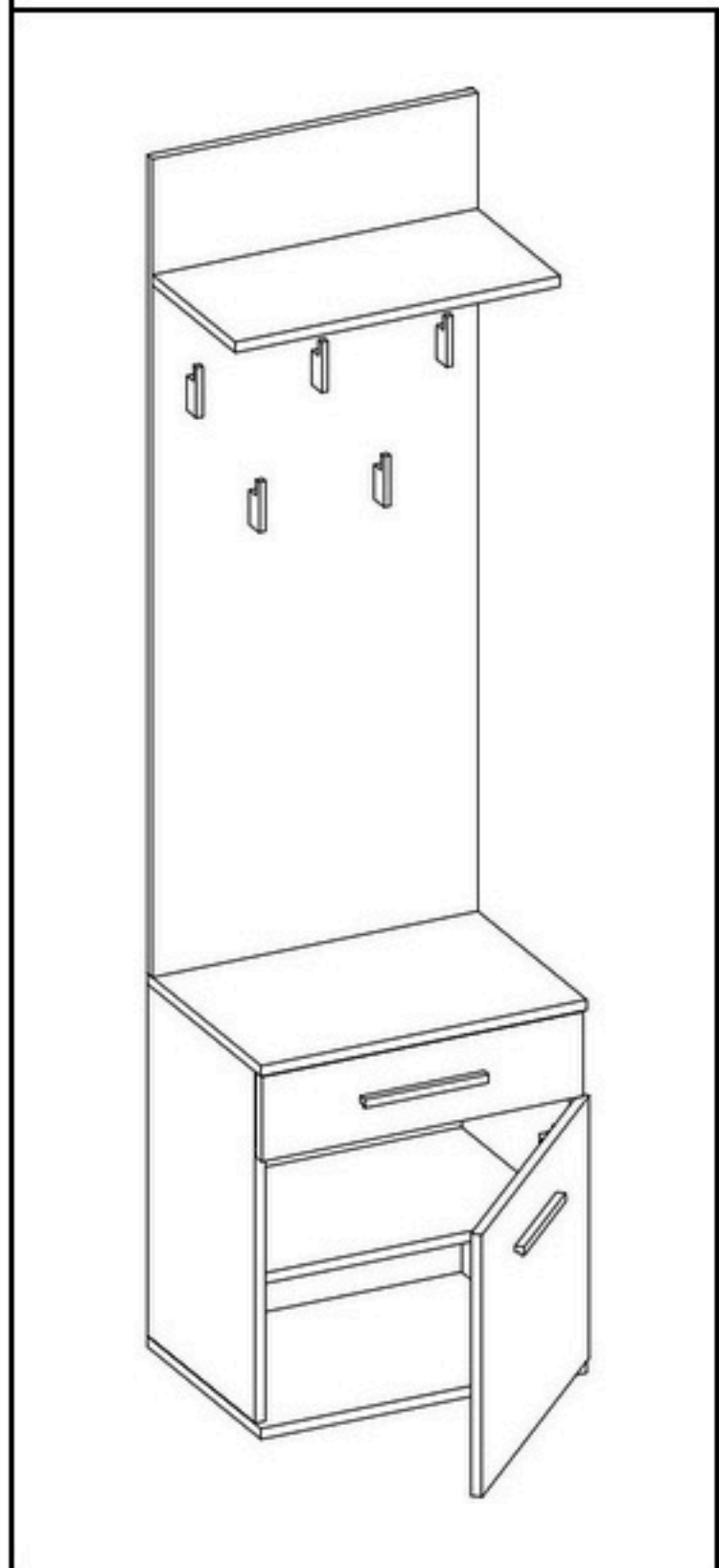
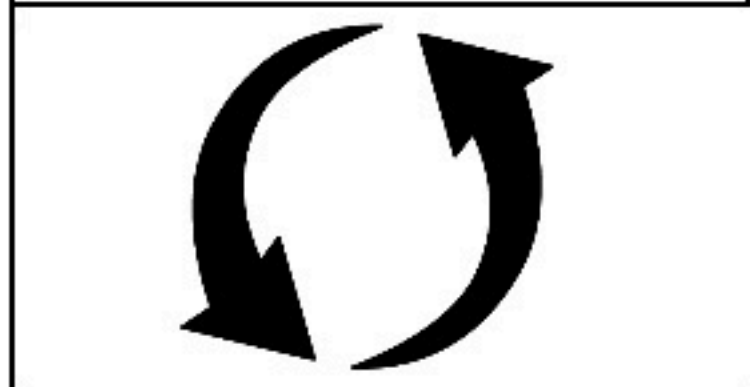
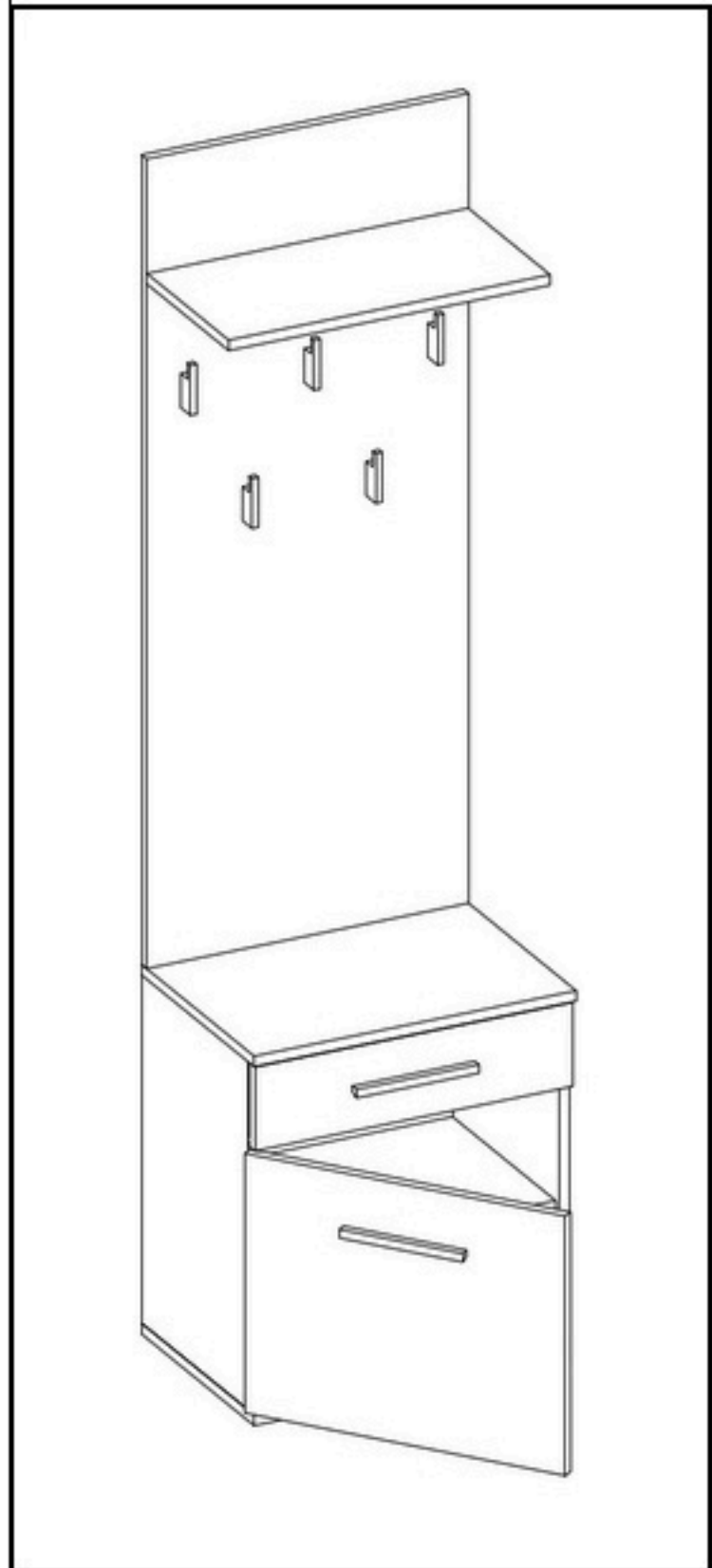




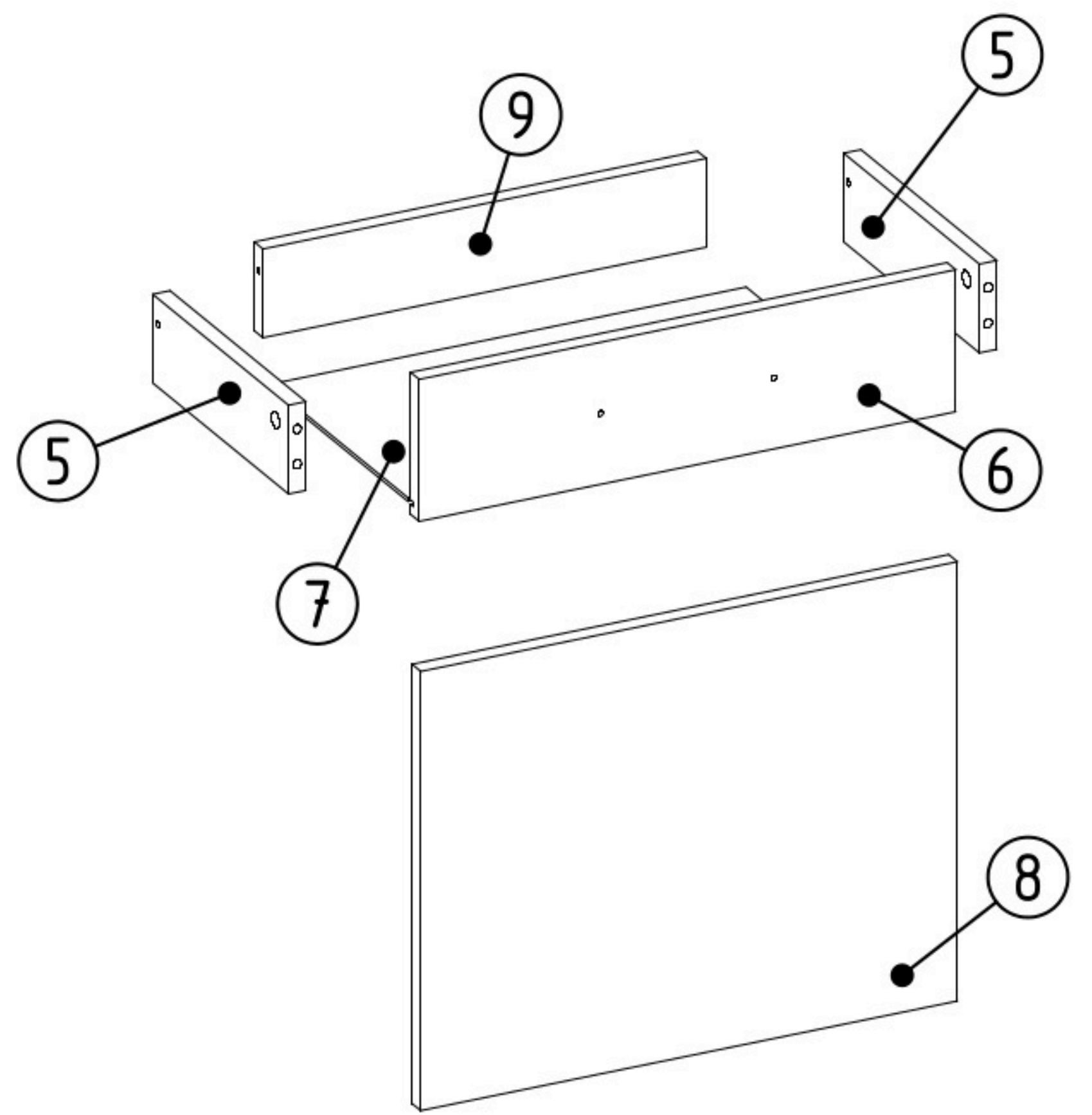
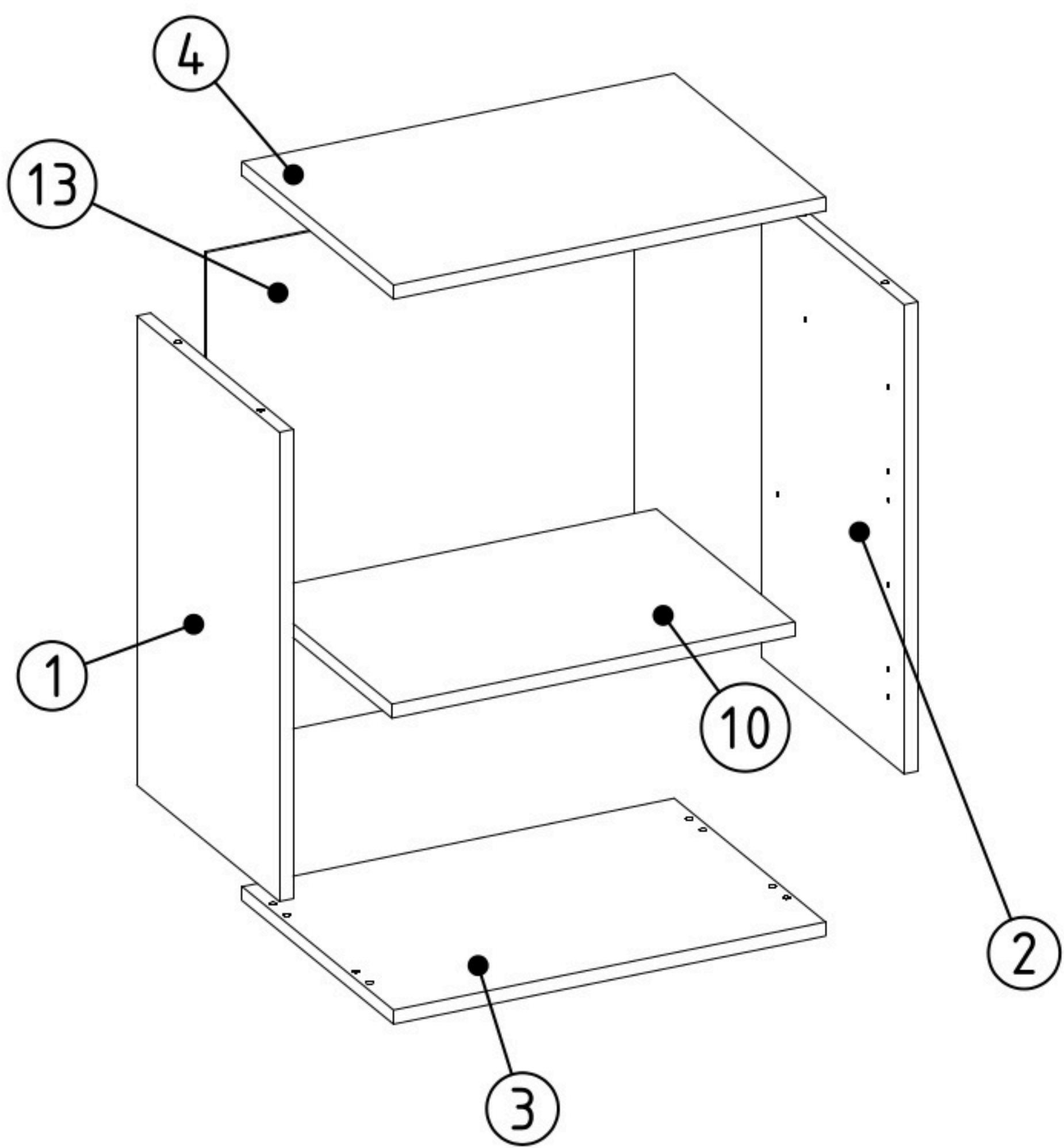
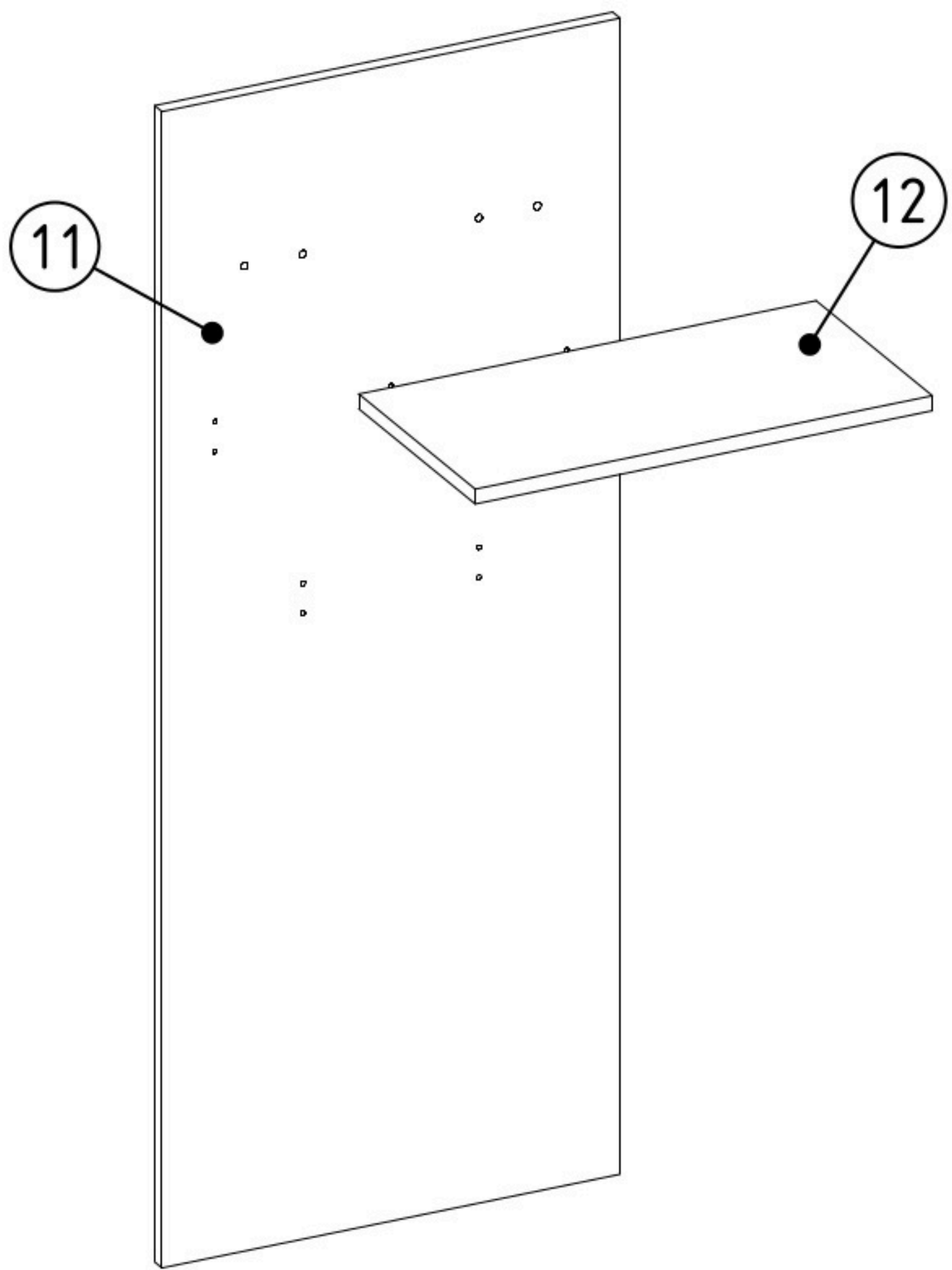


<p>S1</p>  <p>x 6</p>	<p>A0</p>  <p>x 3</p>	<p>U6</p>  <p>x 1</p>	<p>S3</p>  <p>x 2</p>
--	--	--	--









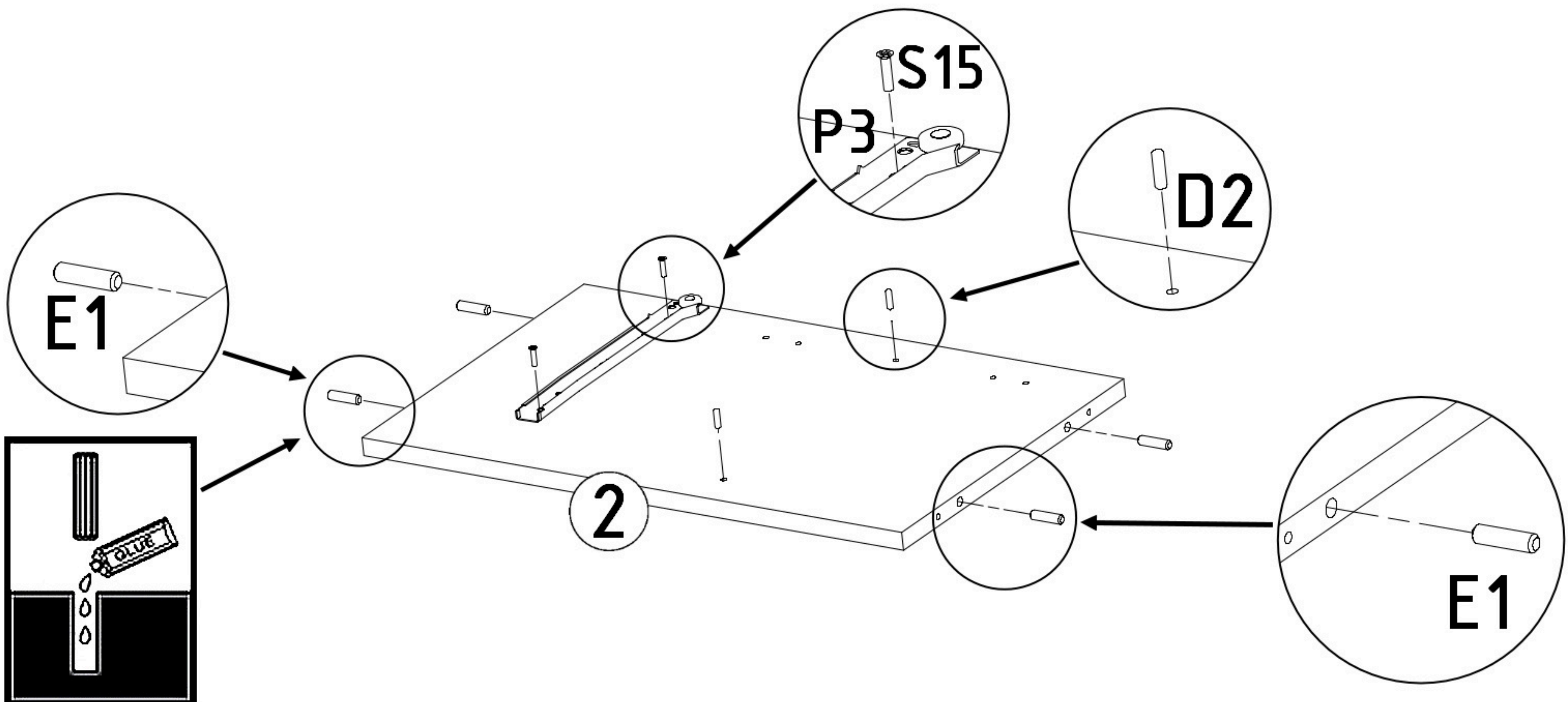
P3 L=250mm x 1	K1 x 1	S15 6x8mm x 8	U6 L=190mm x 2			
L7 L=75mm x 5	M3 12x15mm x 2	E4 L=43mm x 2	S1 3,5x16mm x 8	E1 8x30mm x 10	D2 L=16mm x 4	S3 4x27mm x 14
T1 x 4	Z2 x 30	A0 ZP x 2	N2 L=35mm x 2	M2 ø16mm x 2	F2 7x50mm x 8	D12 ø34mm x 2







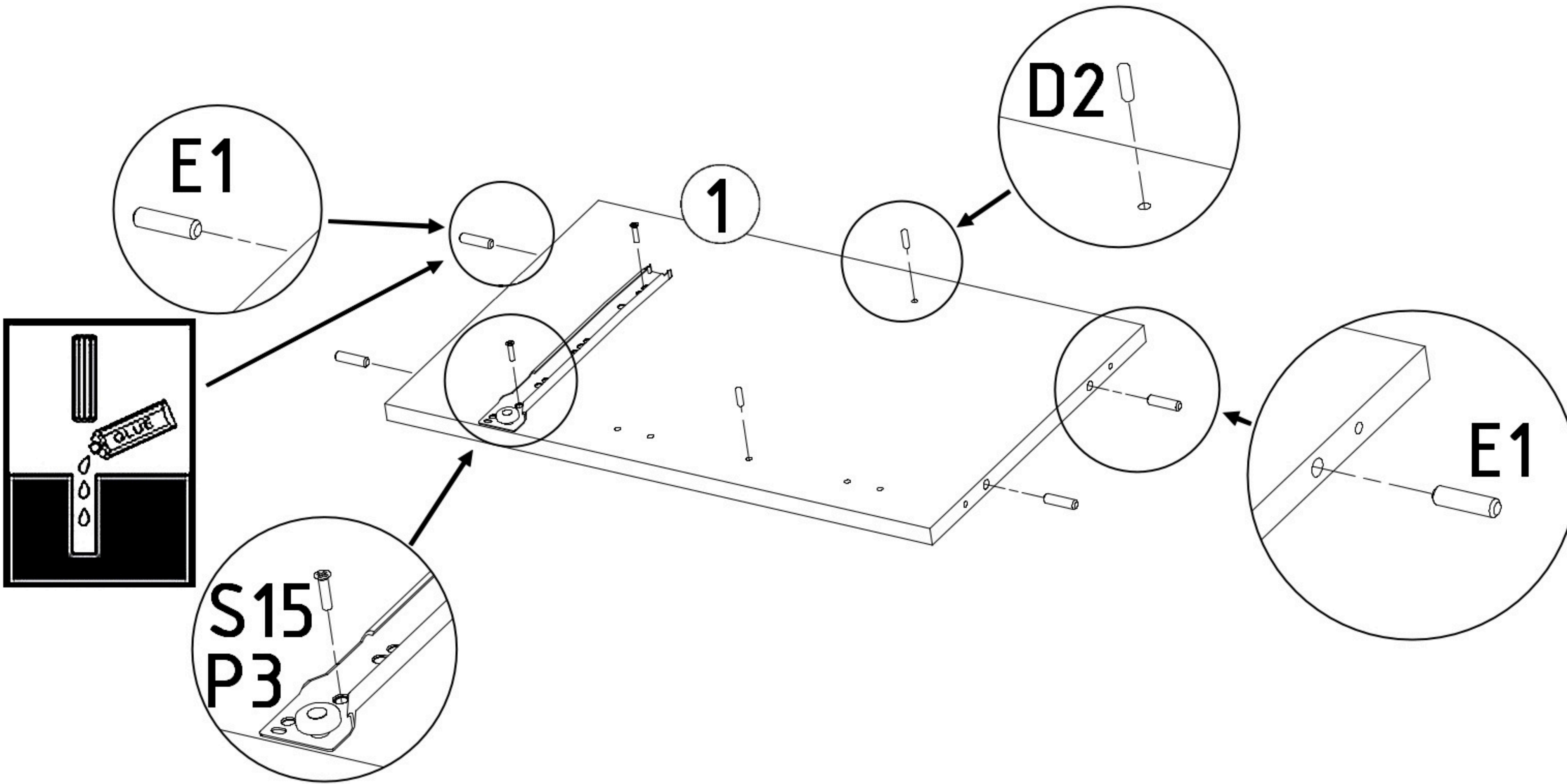
1	x 1
2	x 1
3	x 1
4	x 1
5	x 2
6	x 1

7	x 1
8	x 1
9	x 1
10	x 1
11	x 1
12	x 1
13	x 1

	D2		P3		S15		E1
	x 2	L=250	x 1	6x8	x 2	8x30	x 4

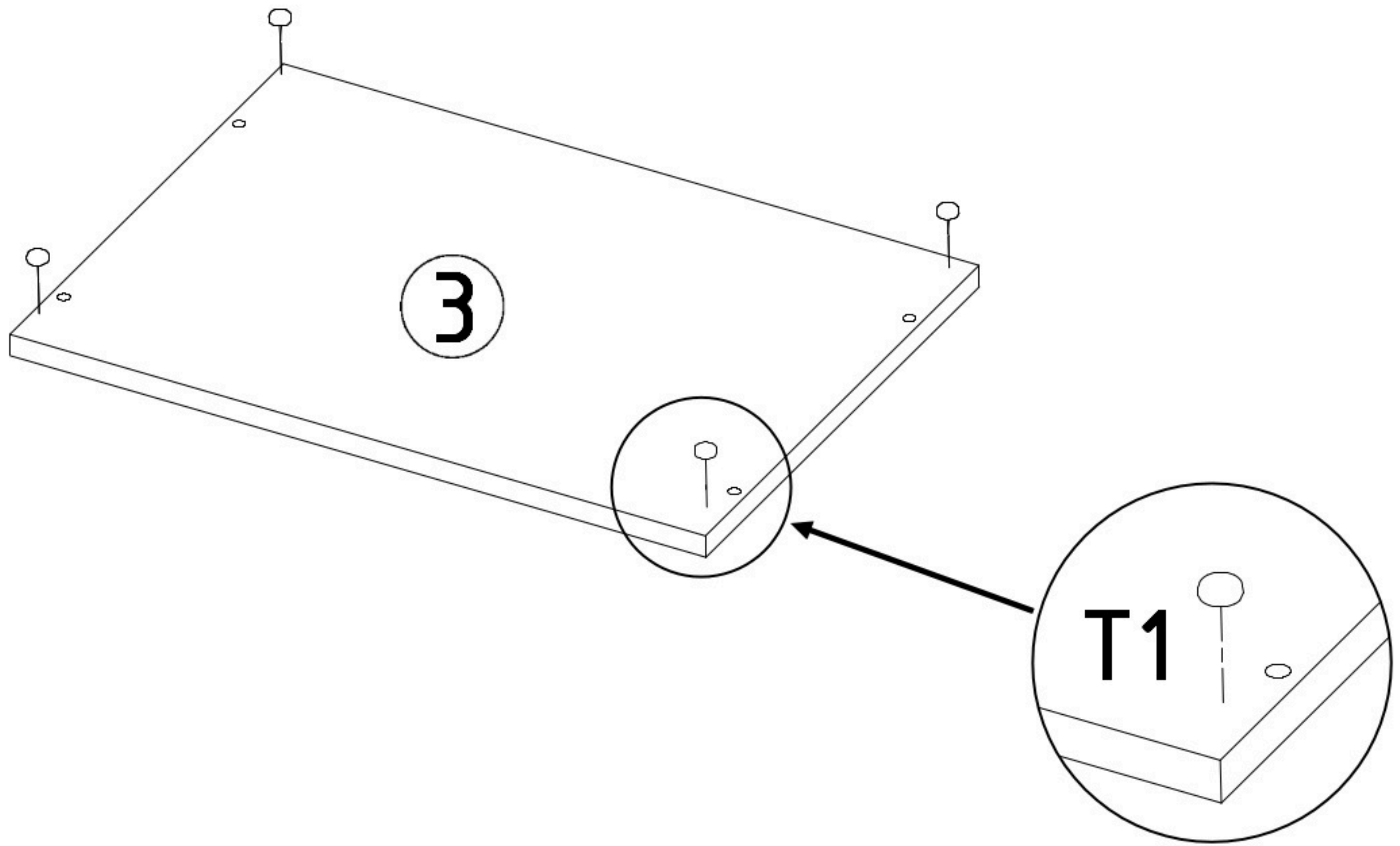


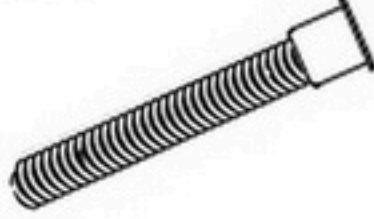
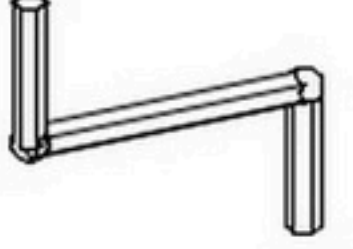

	D2		P3		S15		E1
x 1	x 2	L=250	x 1	6x8	x 2	8x30	x 4

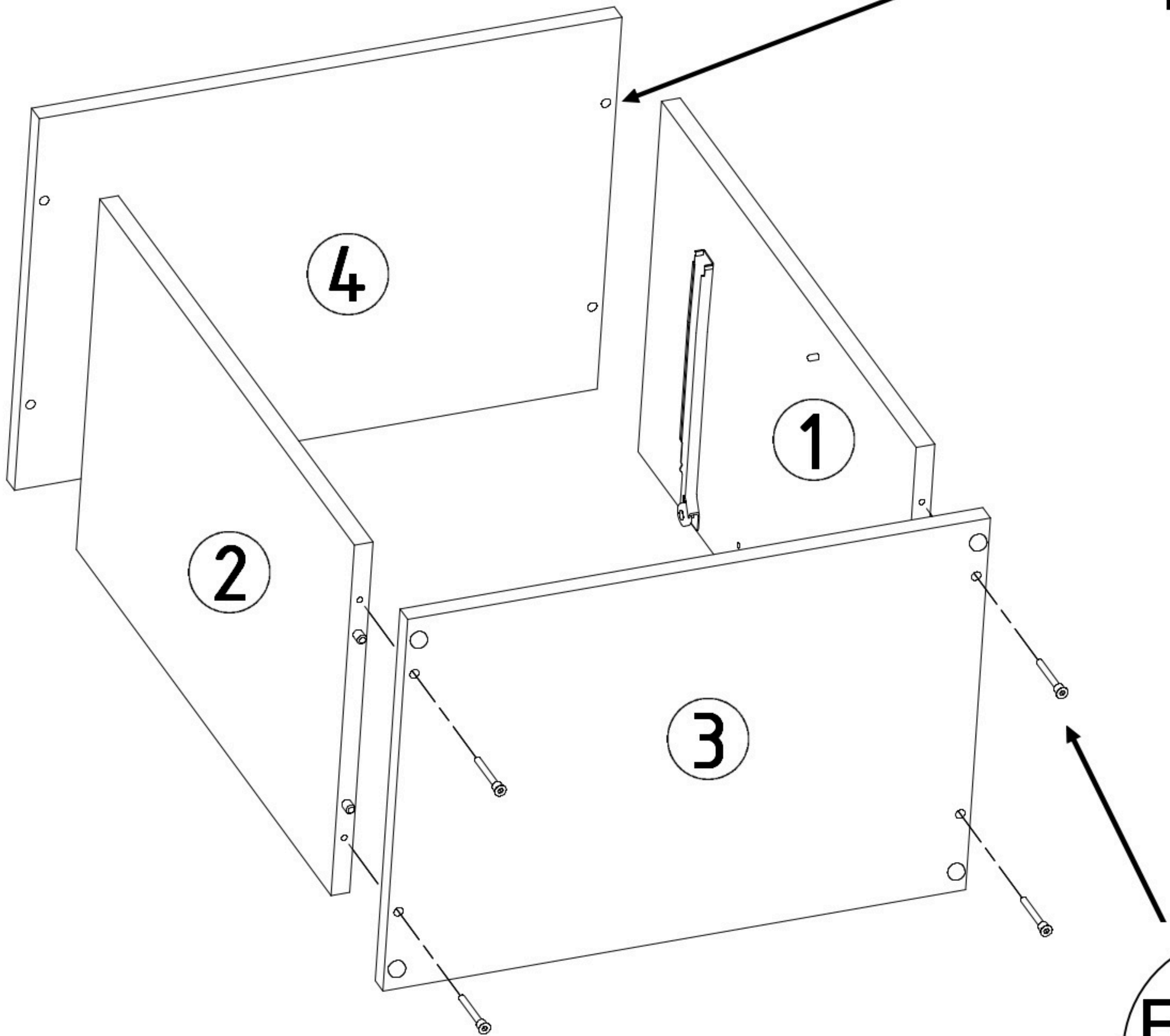
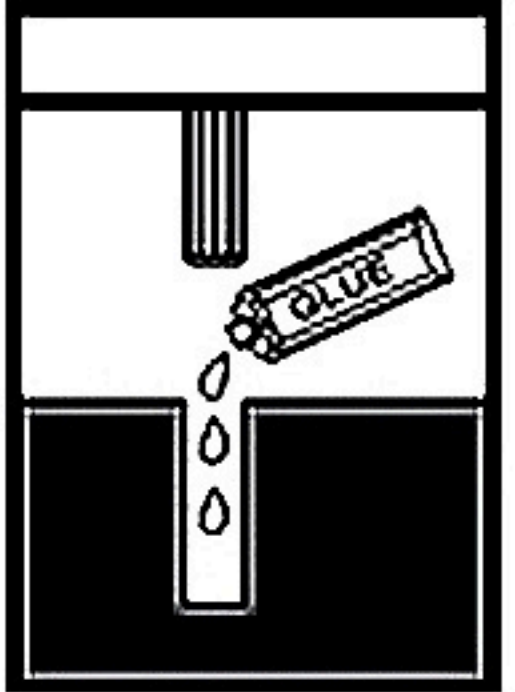


T1

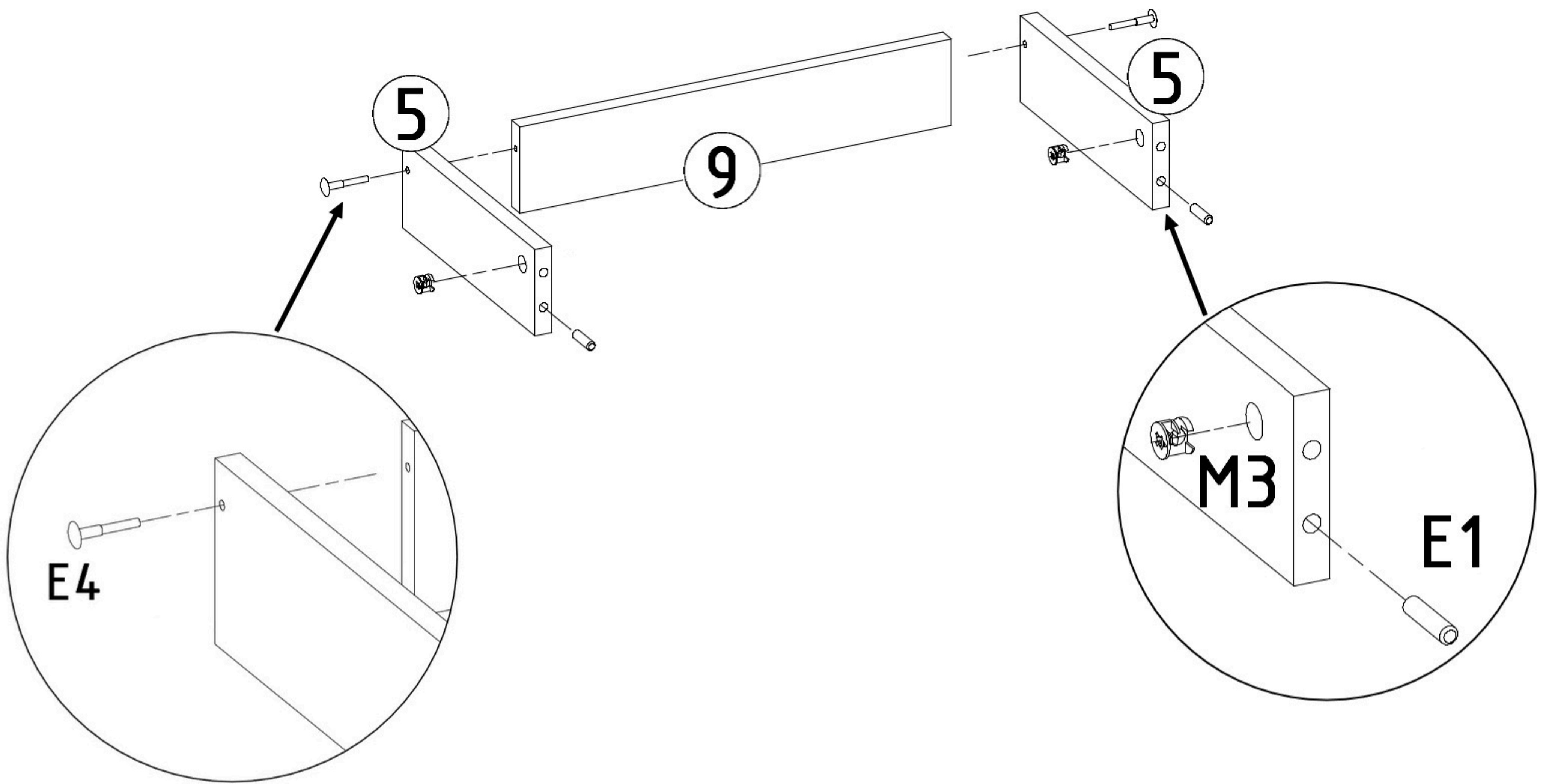
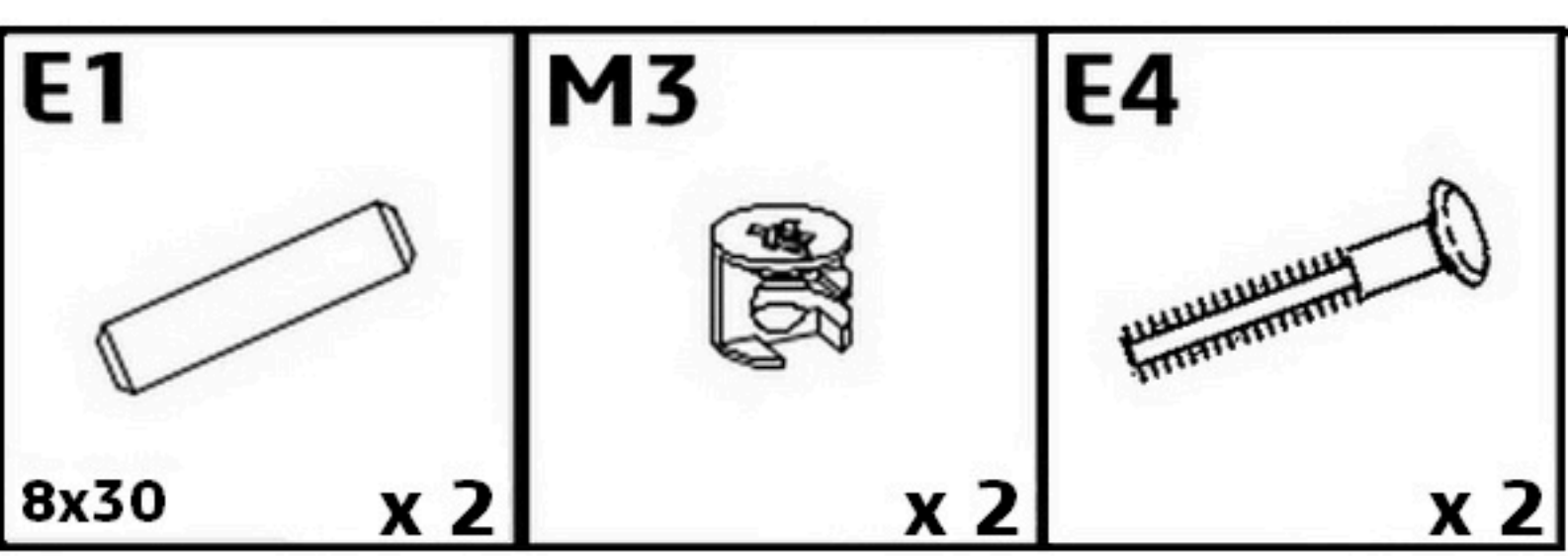
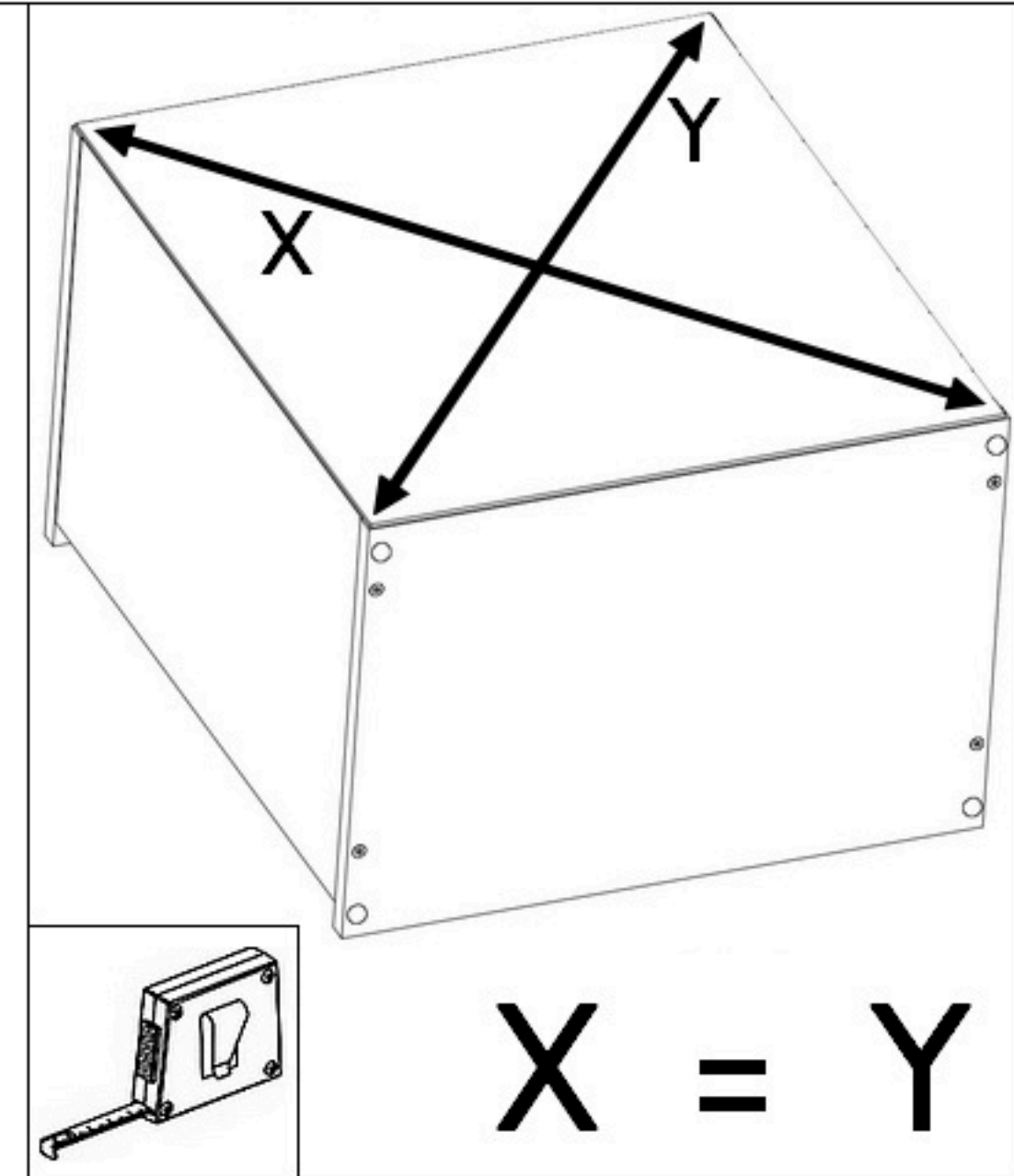
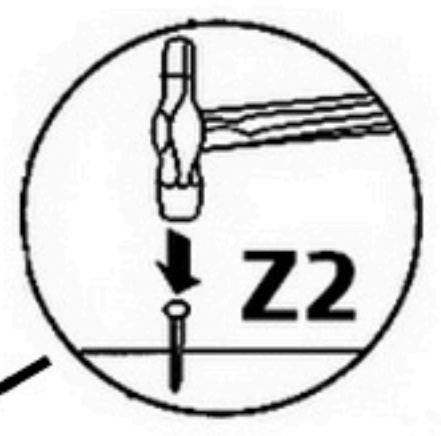
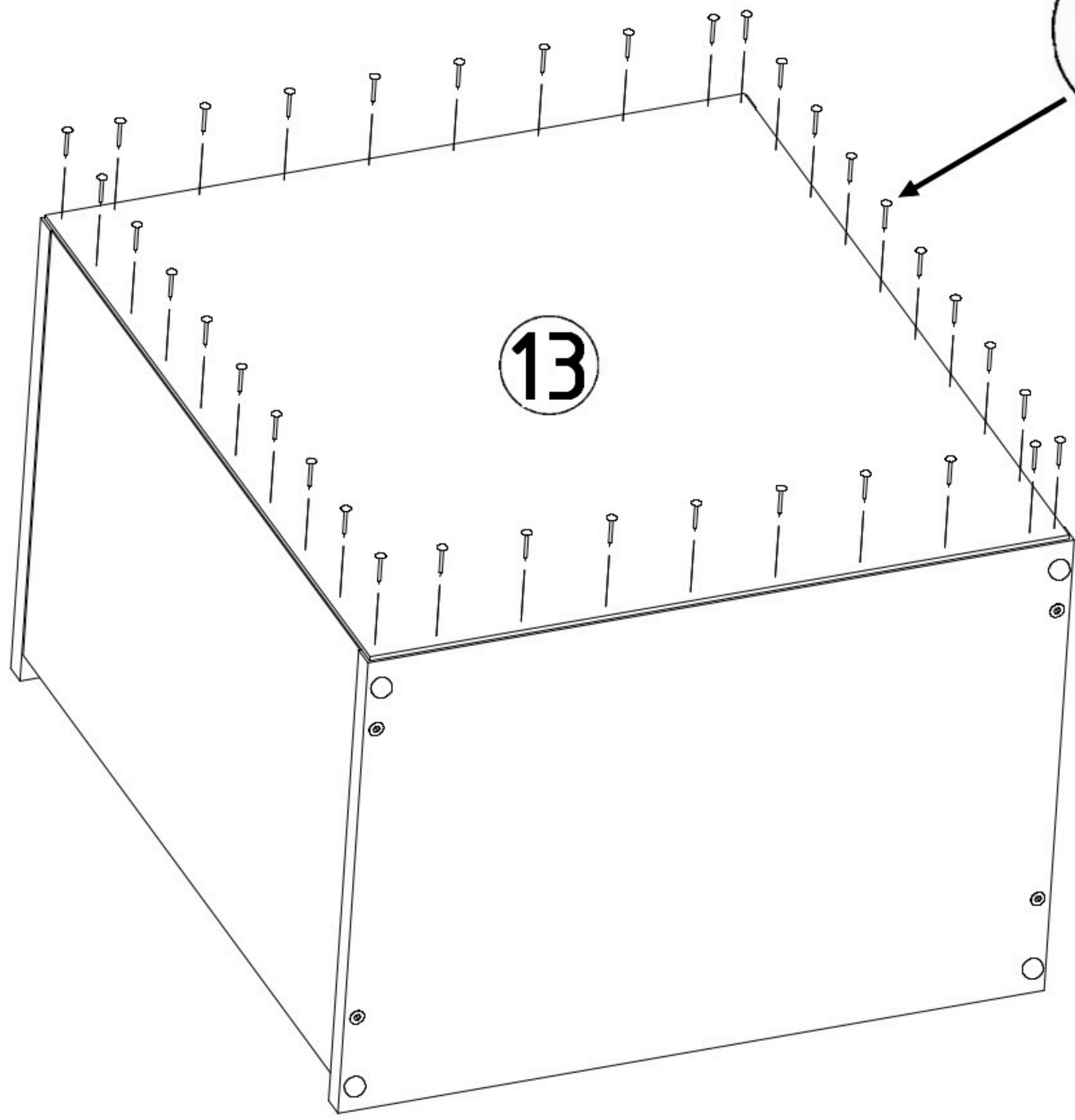
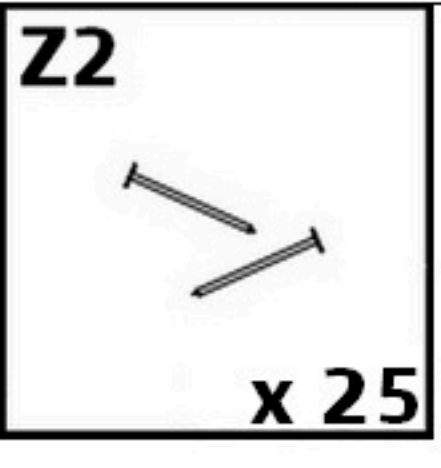
x 4

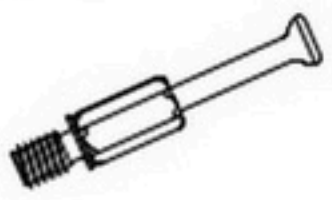
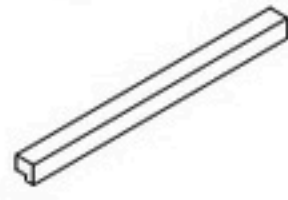



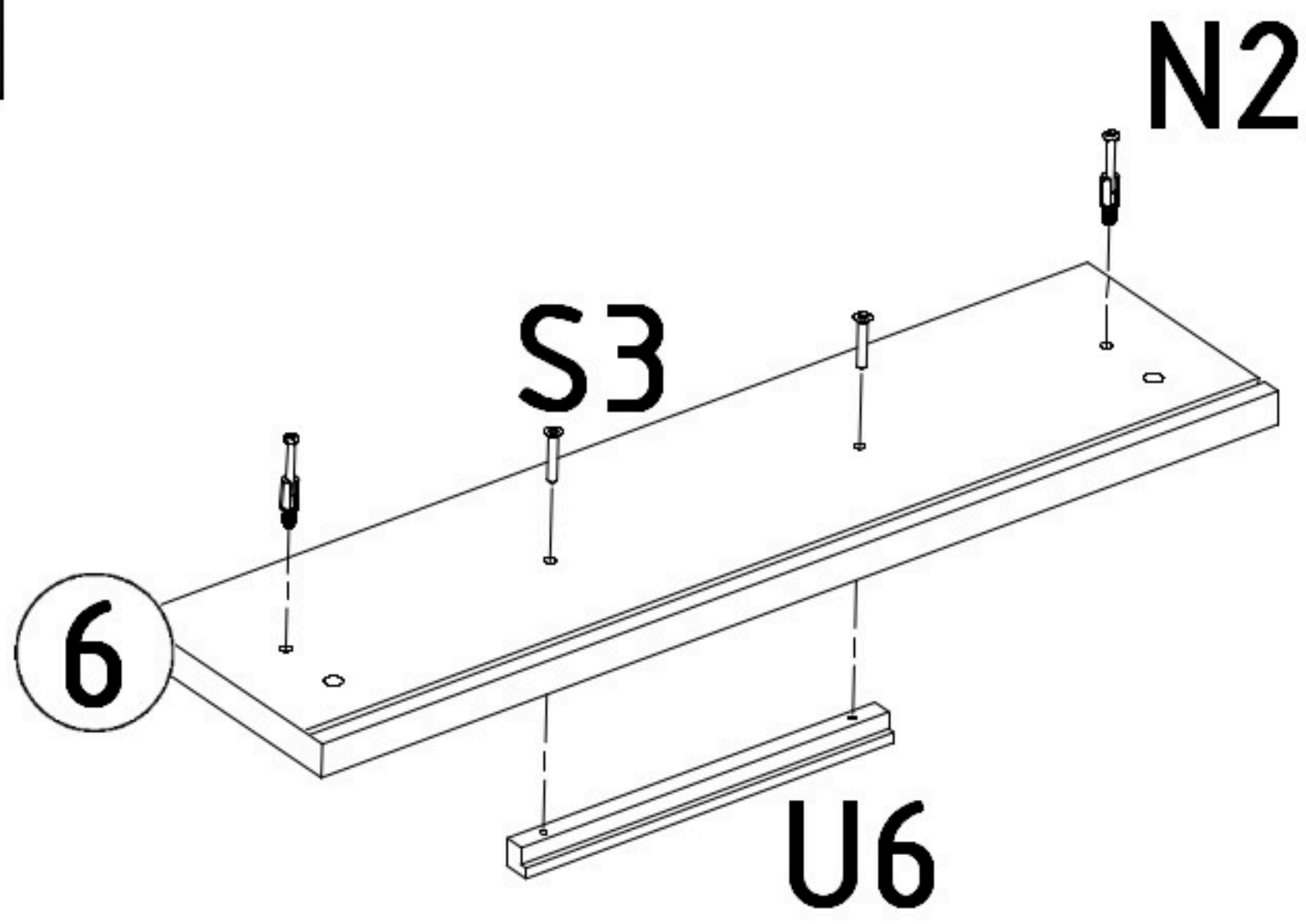
<p>F2  x 4</p>	<p>K1  x 1</p>	<p> GLUE</p>
--	---	--






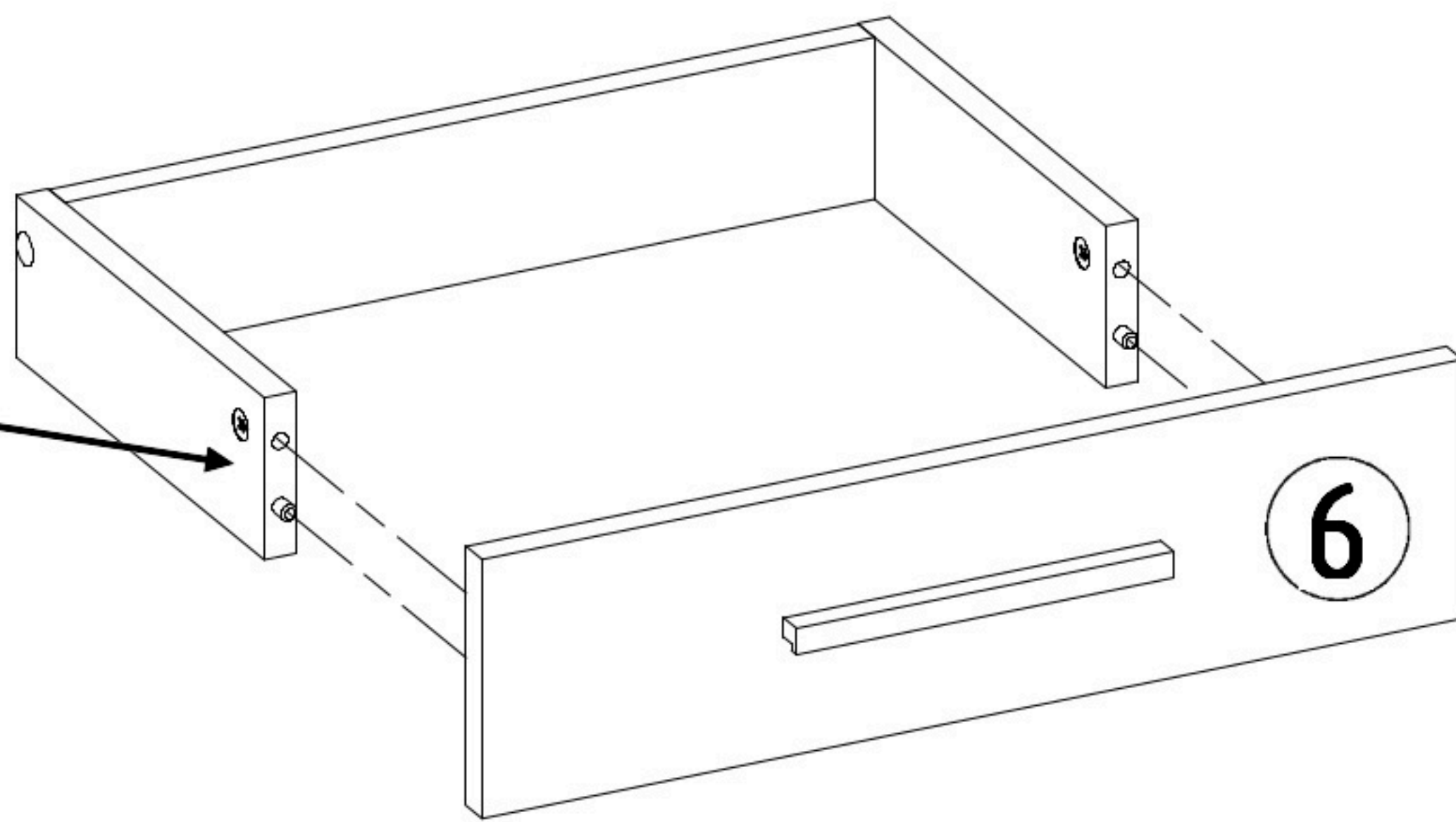
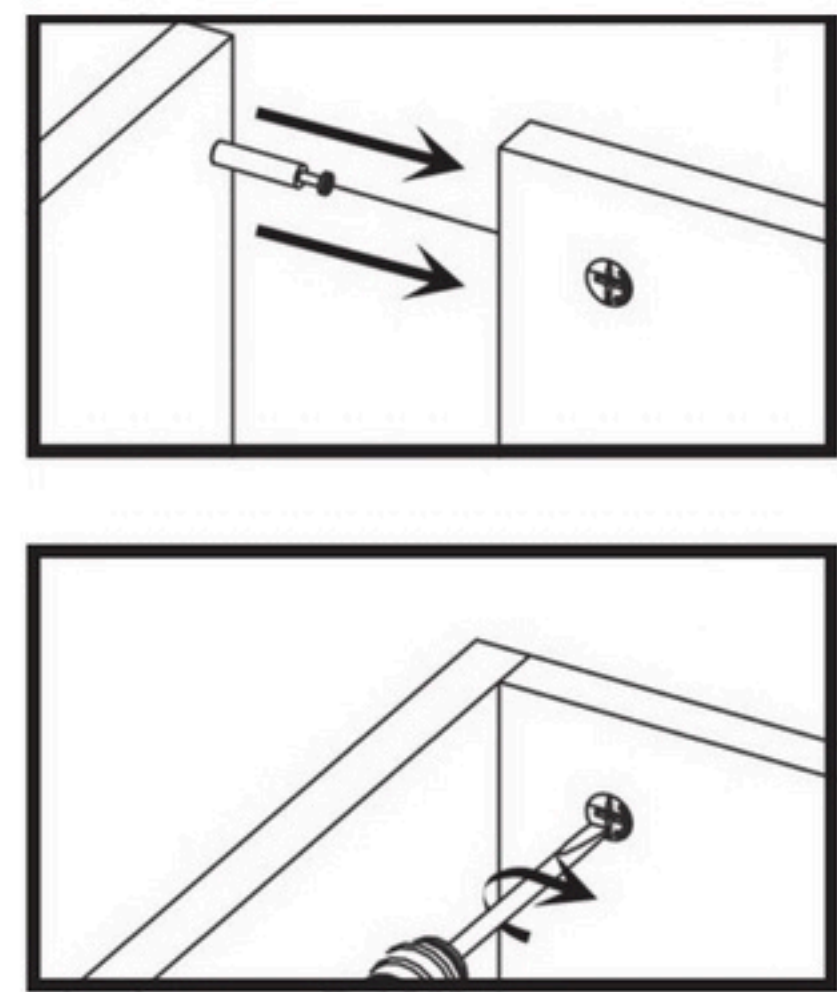
F2
K1






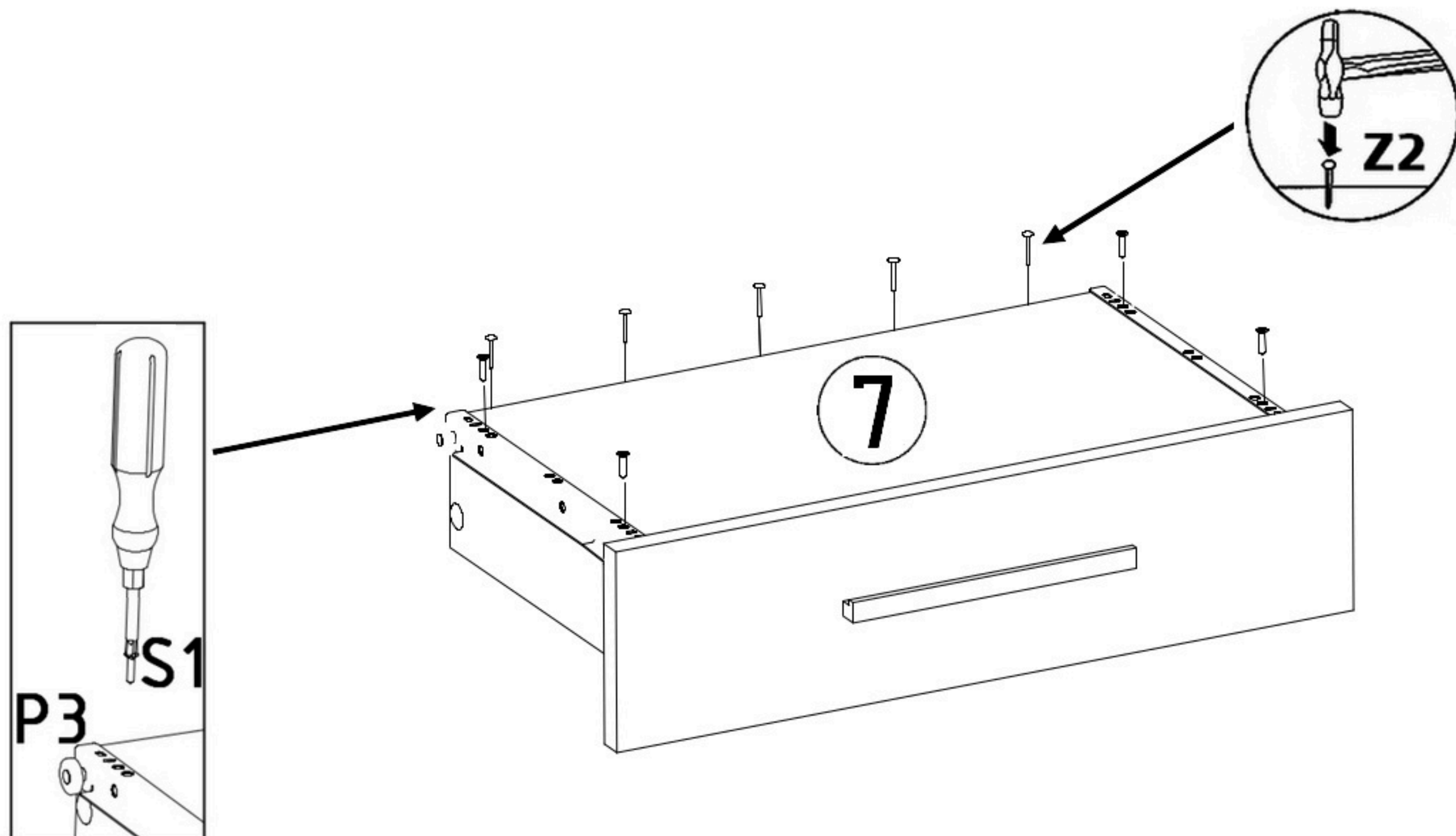
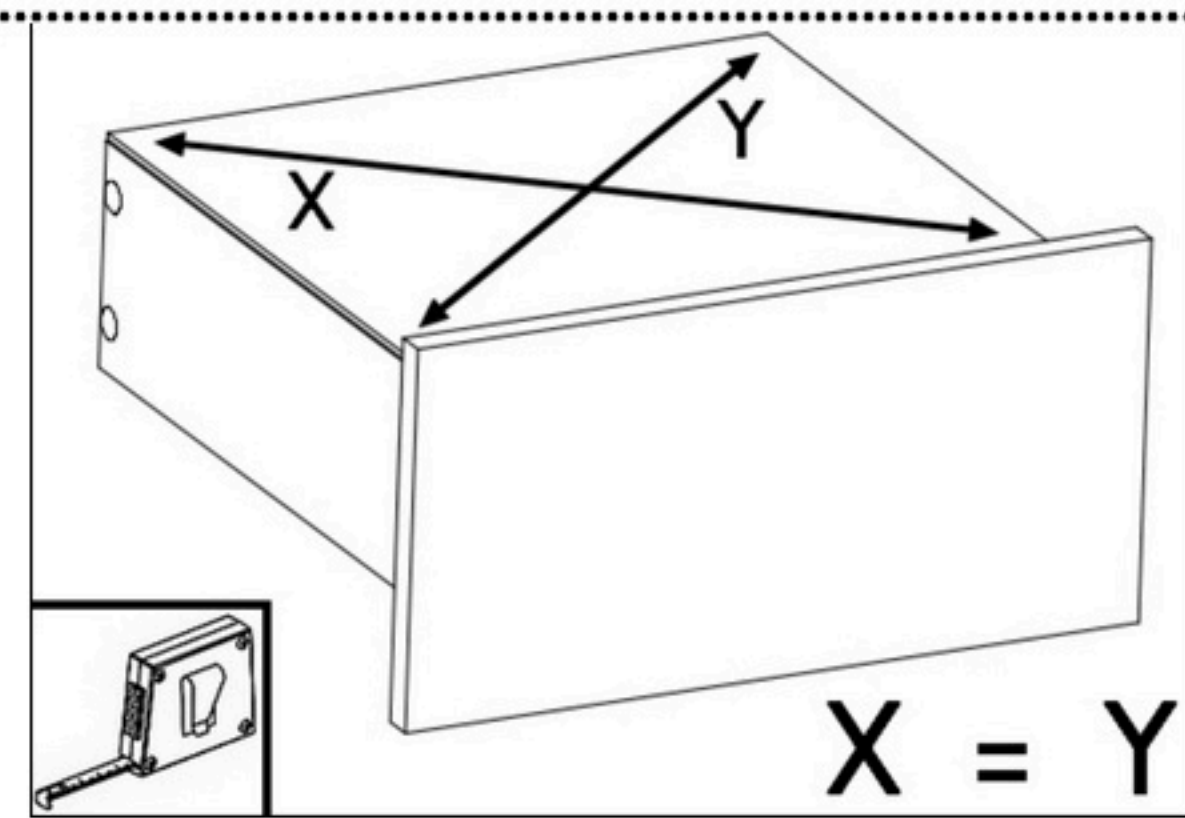
N2  20,3 x 2	U6  x 1	S3  4x27 x 2
---	---	--


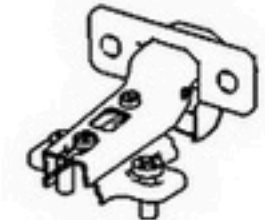




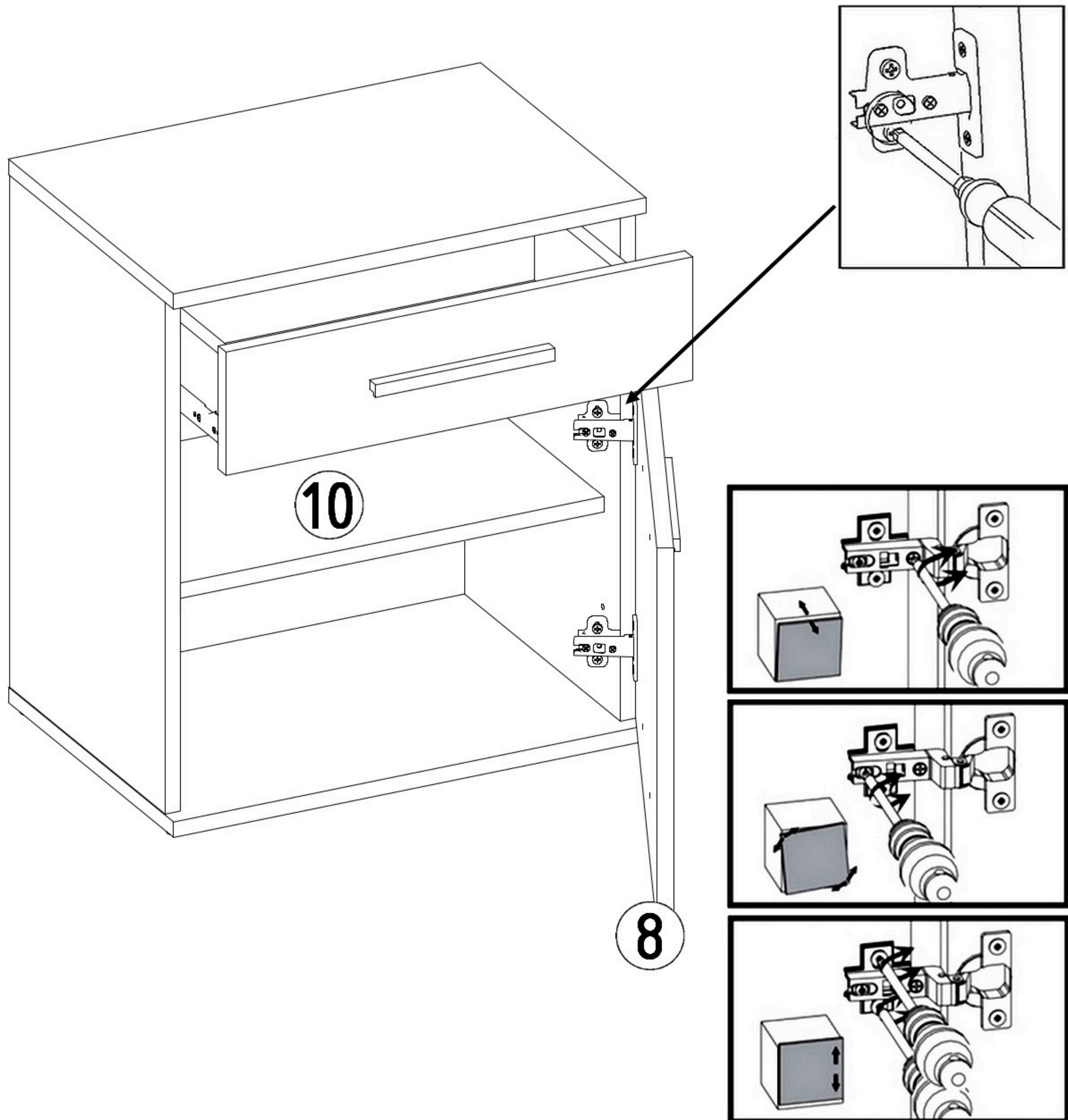
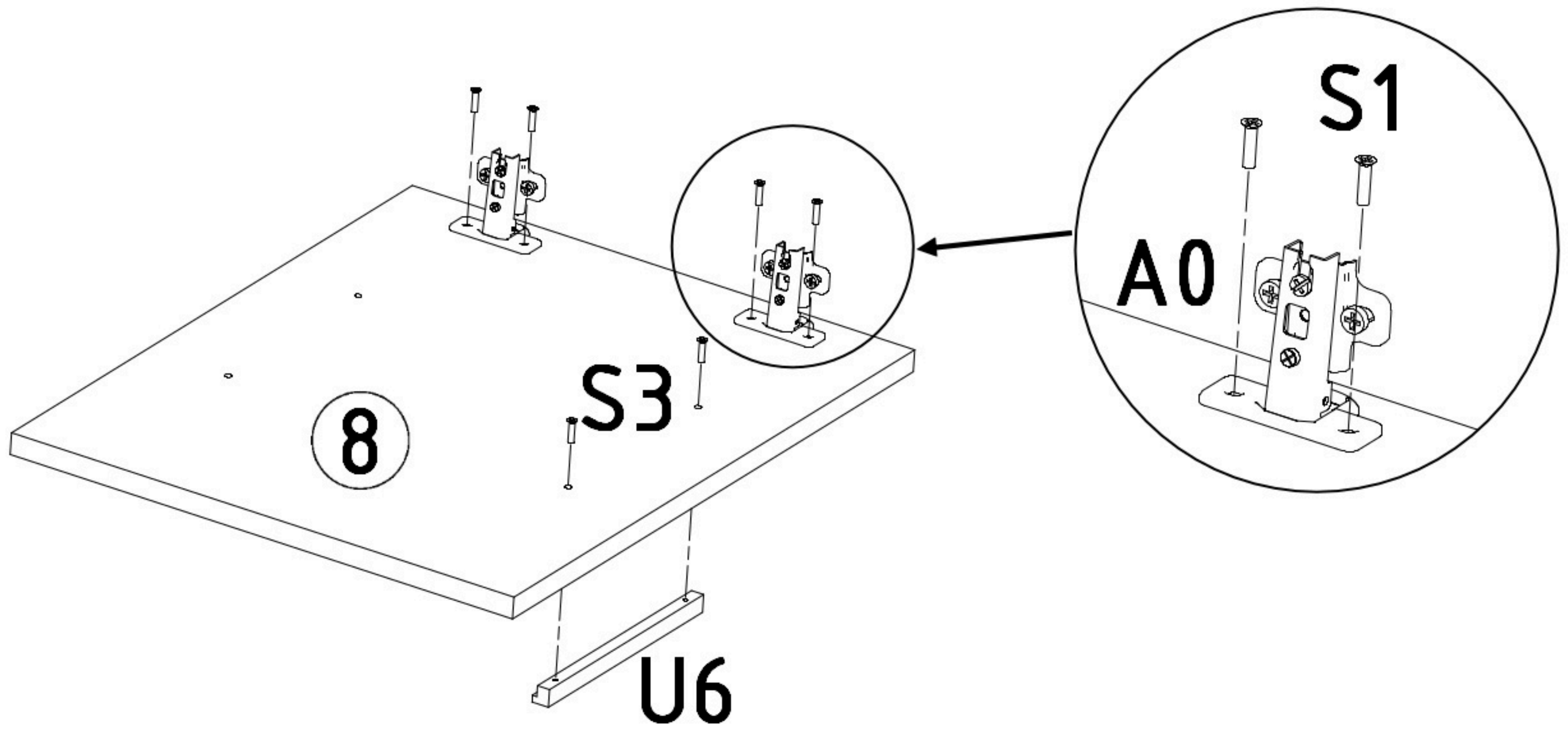
M2  x 2	M3 	M2 
---	--	--







P3  L=250 x 1	S1  3,5x16 x 4	Z2  x 5
--	--	---

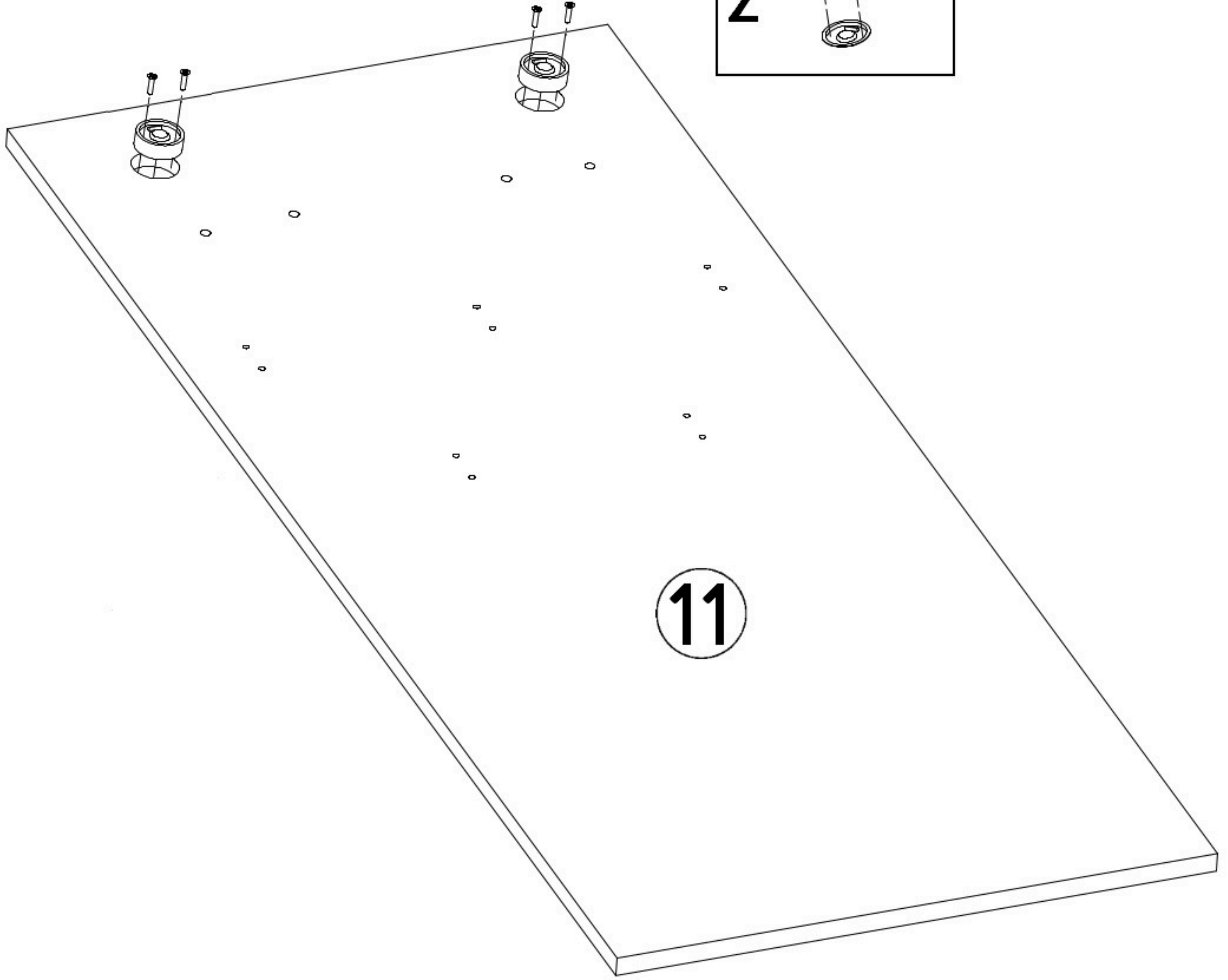


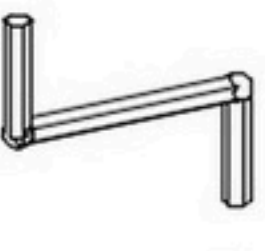

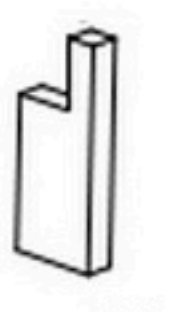

S1  3,5x16 x 4	A0  x 2	U6  x 1	S3  4x27 x 2
---	---	---	--



S15  6x8 x 4	D12  x 2
--	--

1  D12
2  S15



K1  x 1	F3  x 4
L7  x 5	S3 4x27 x 10 

F2

K1