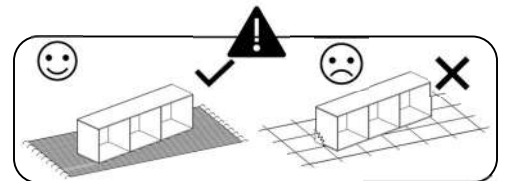
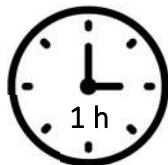
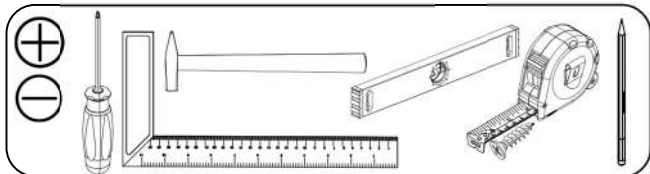
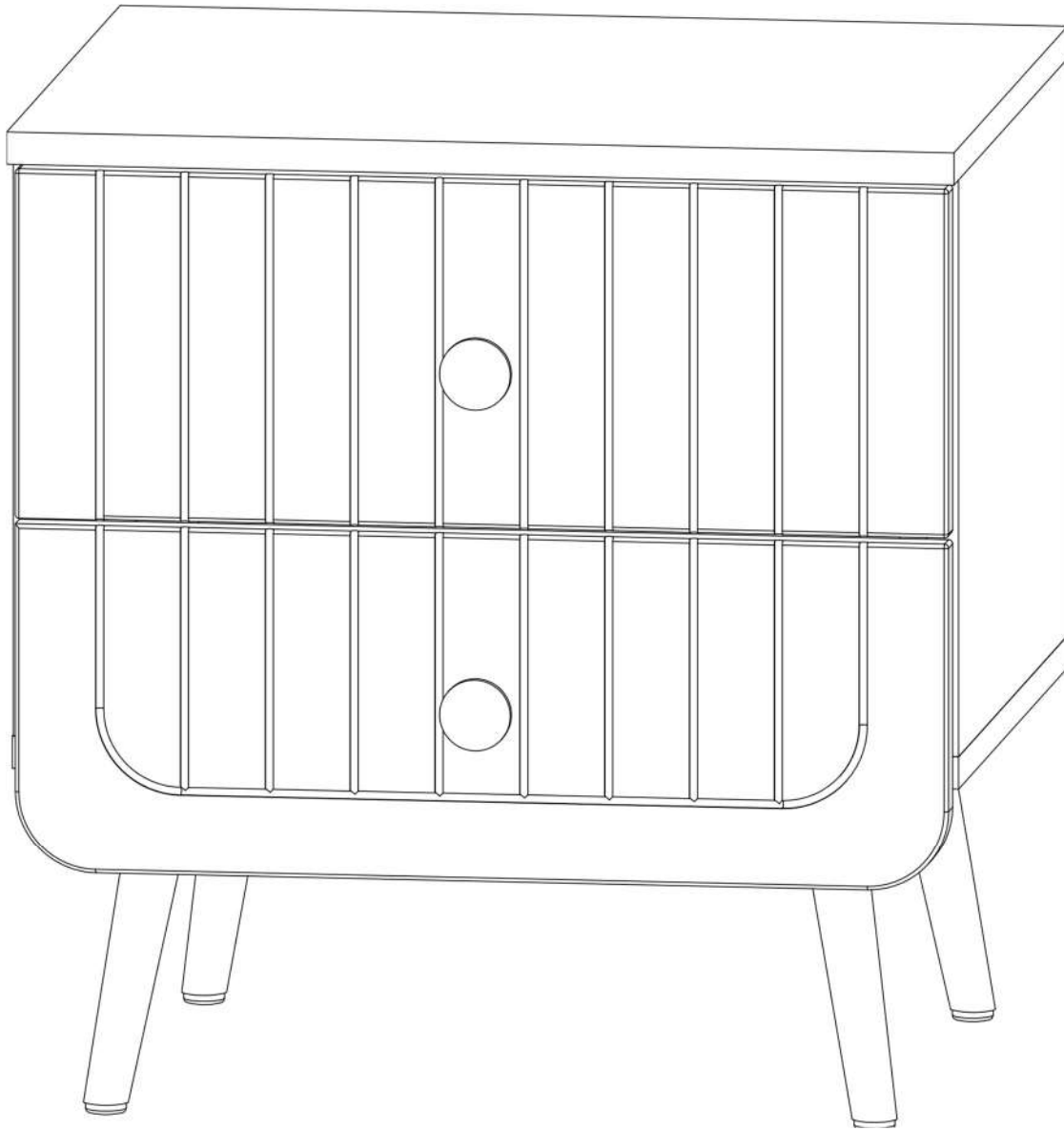
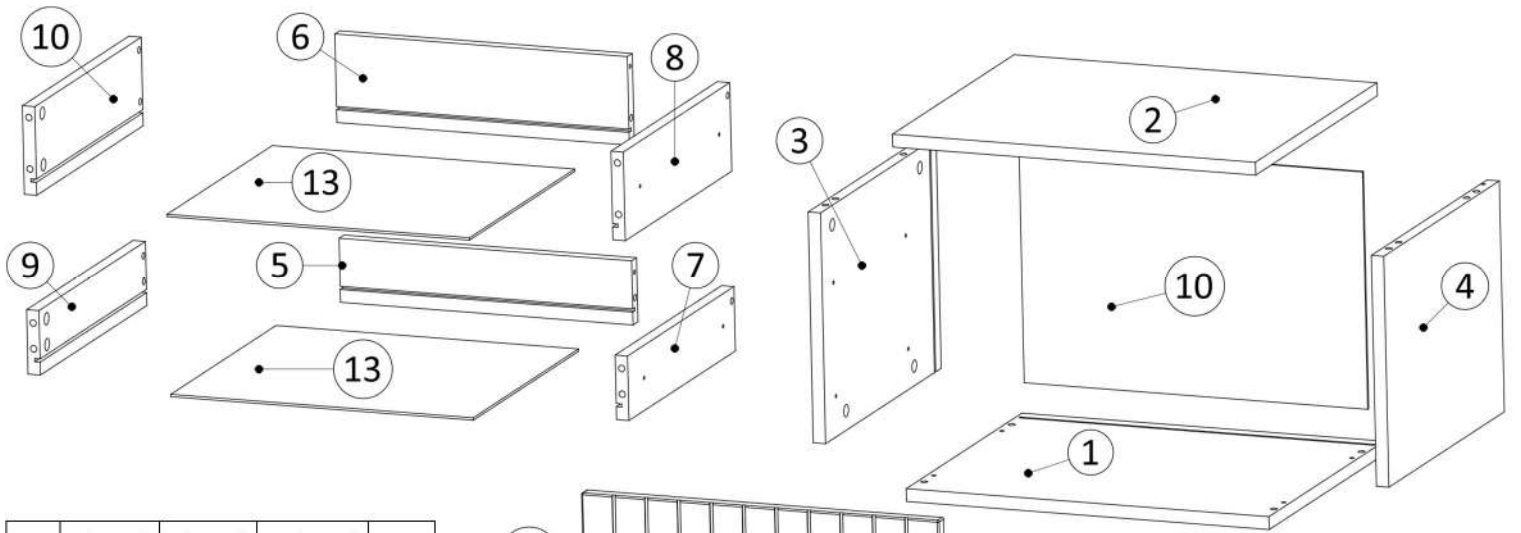


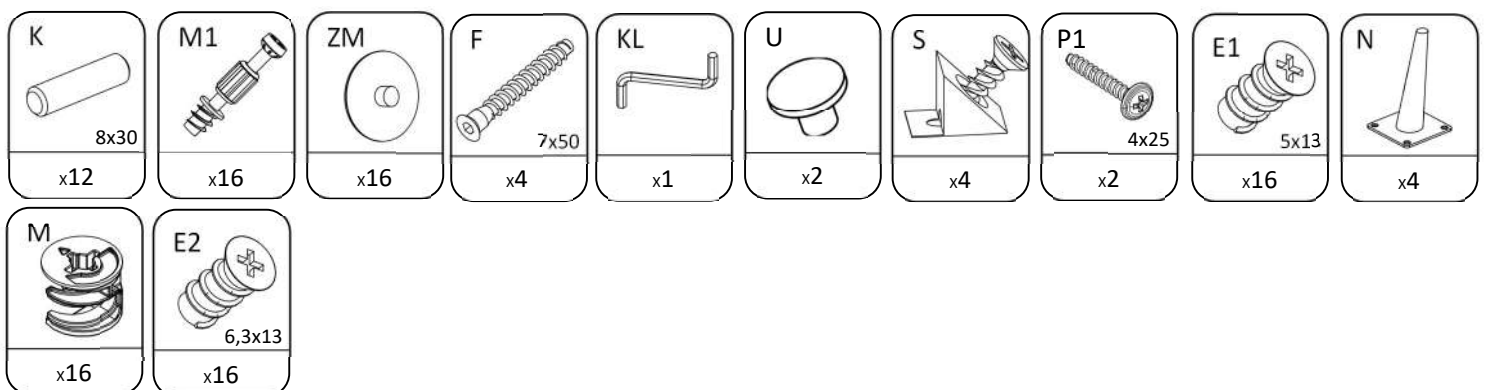
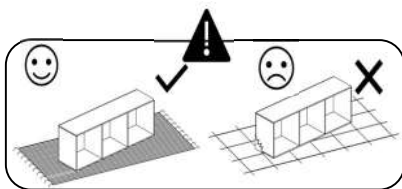
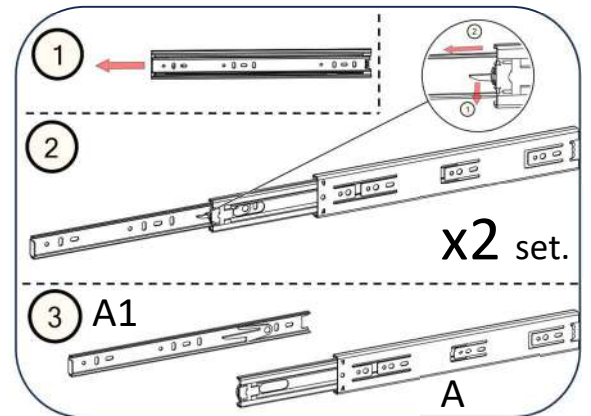
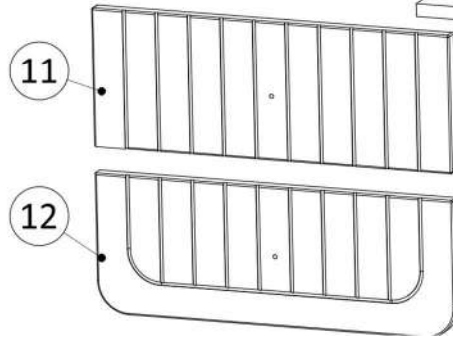
# CHLOE

SN 2S

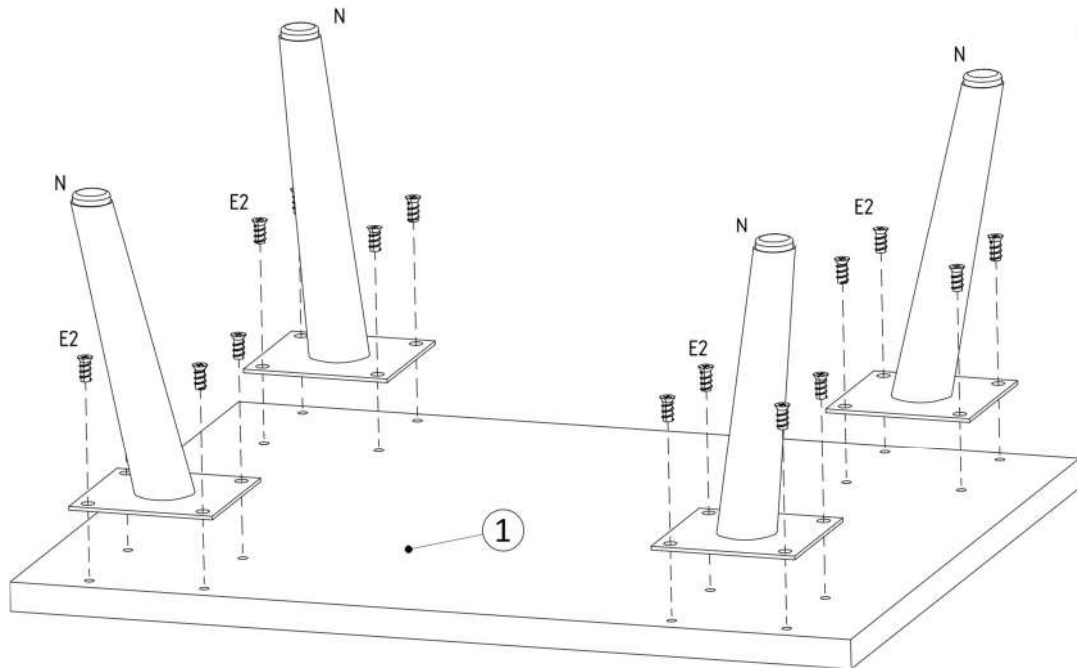






No	T(mm)	L(mm)	W(mm)	pcs.
1	16	469	380	1
2	16	469	400	1
3	16	380	287	1
4	16	380	287	1
5	16	378	80	1
6	16	378	110	1
7	16	350	80	1
8	16	350	110	1
9	16	350	80	1
10	16	350	110	1
11	16	173	462	1
12	16	173	462	1
10	3	444	295	1
13	3	391	346	2

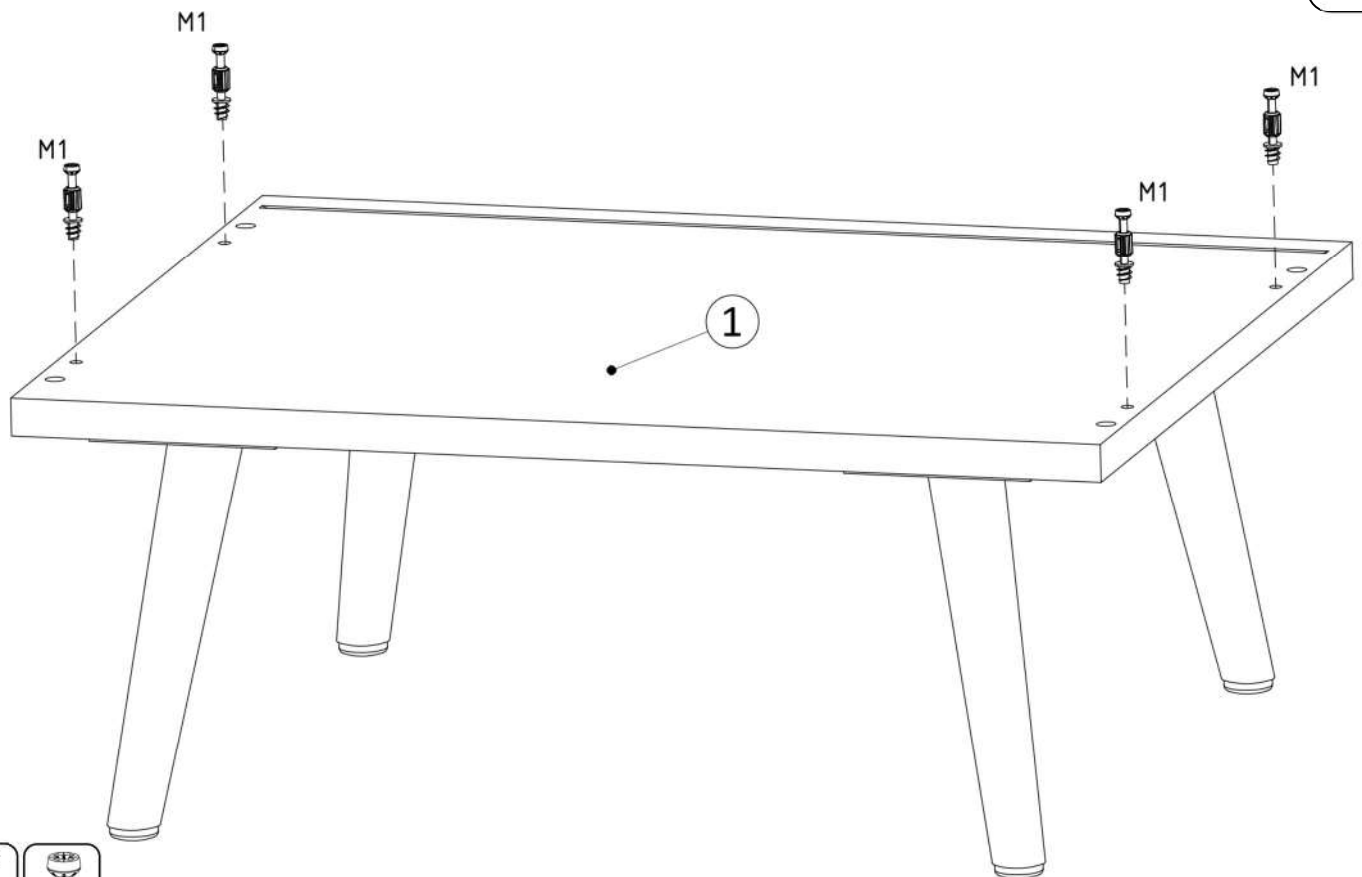



1

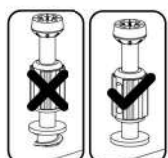


 E2 6,3x13 x16	 N x4
---	---

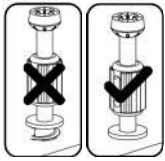
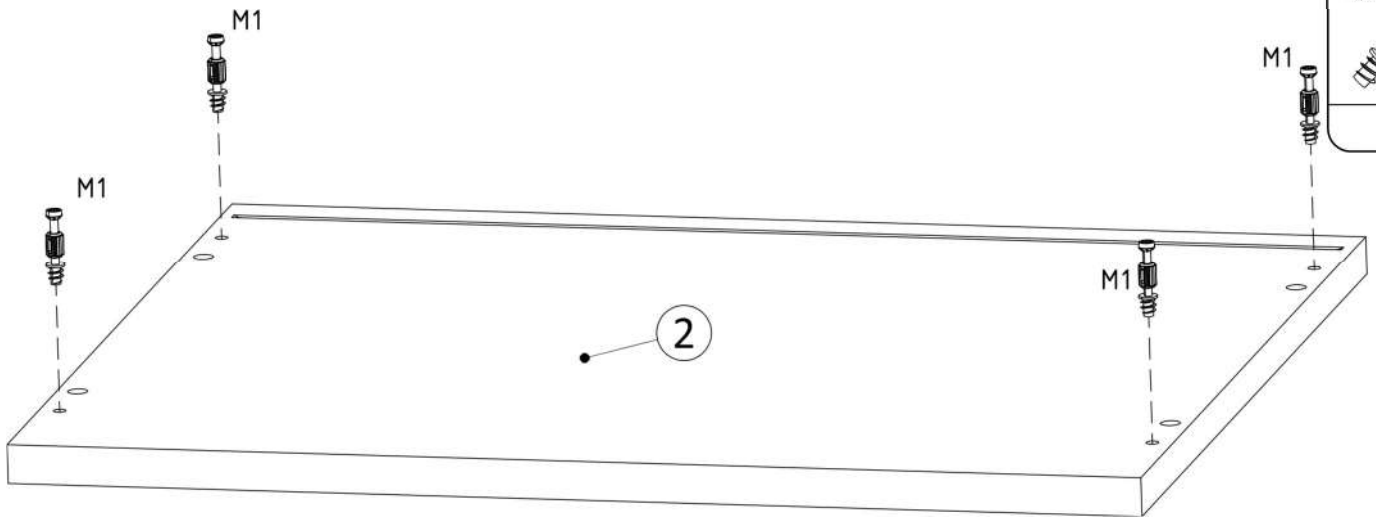
2



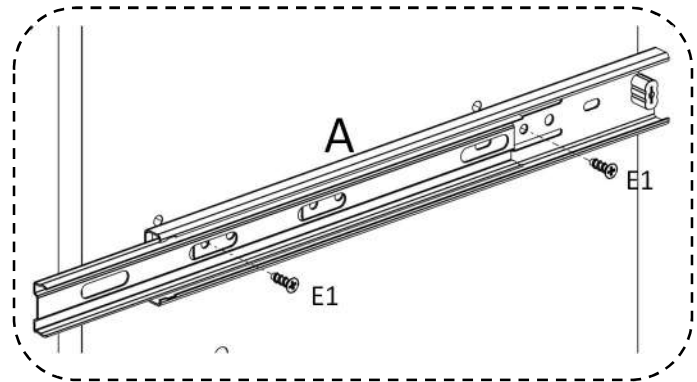
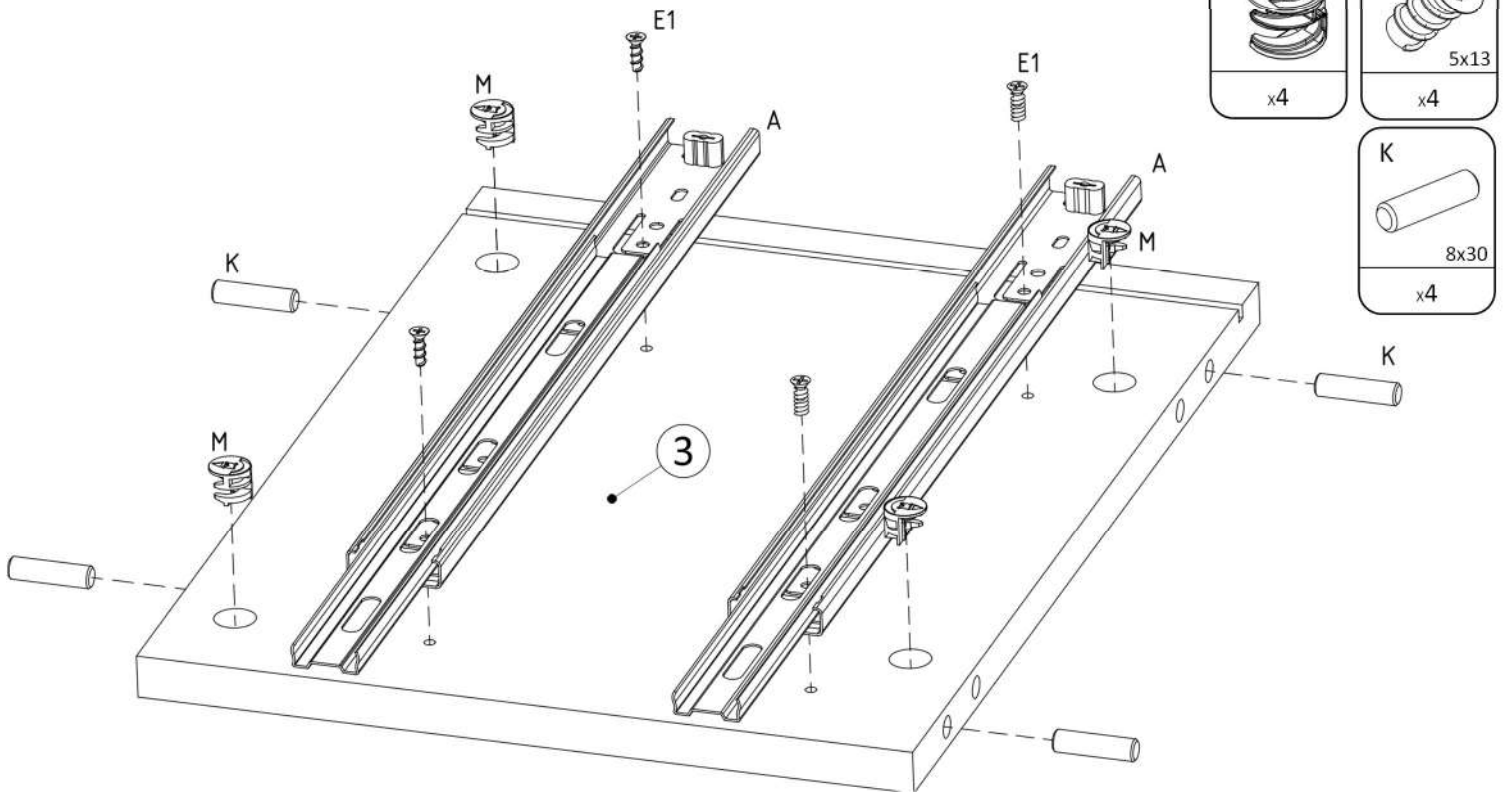
 M1 x4
---



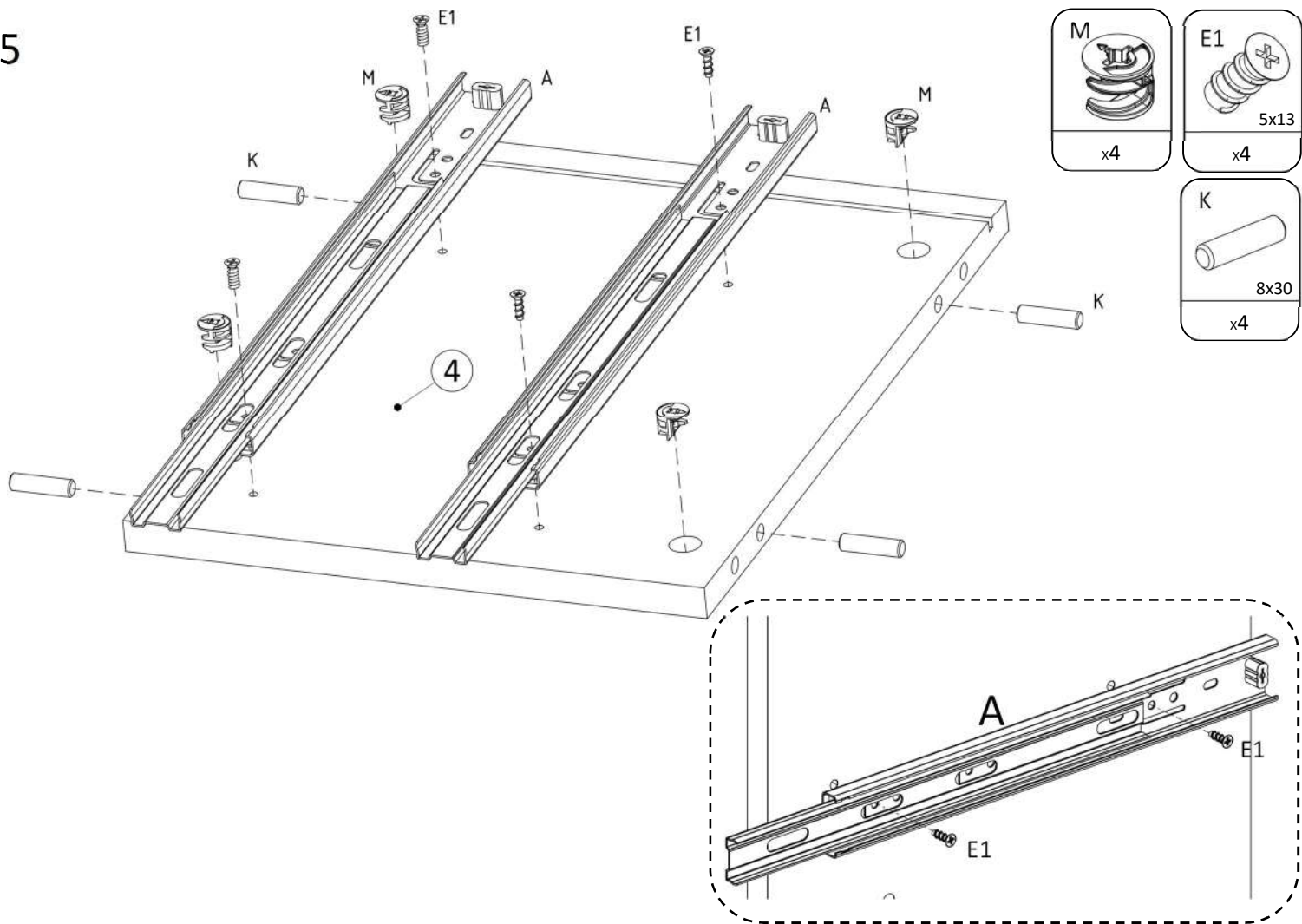
3



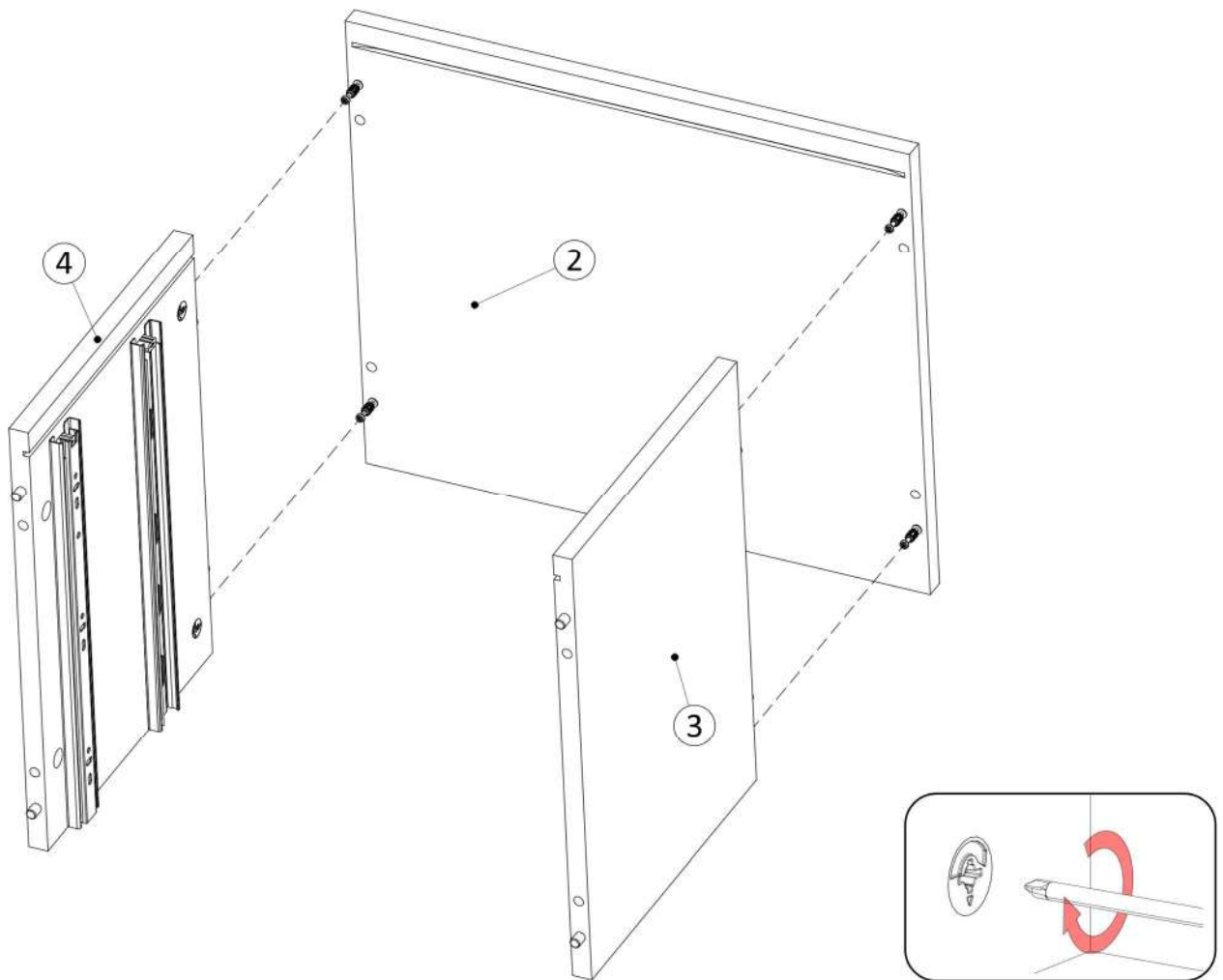
4



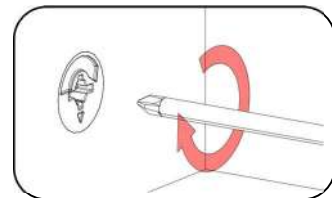
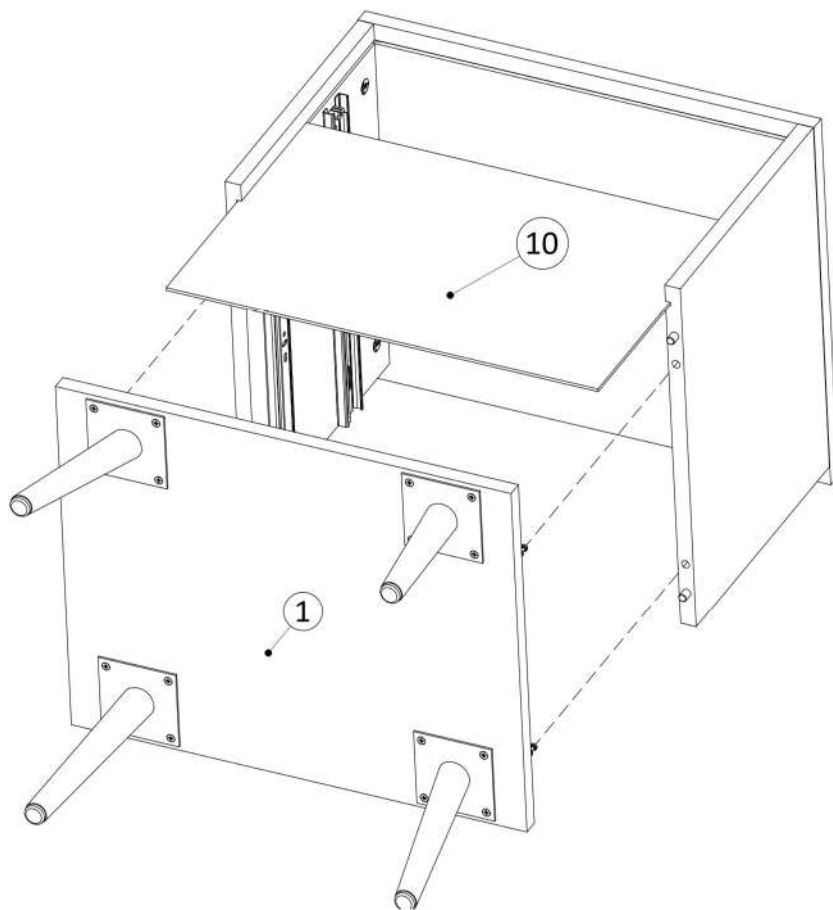
5



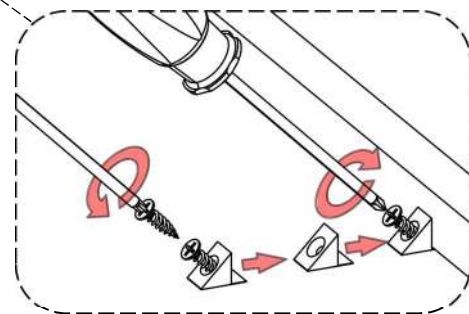
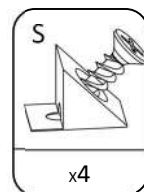
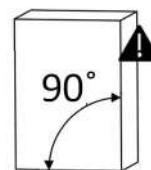
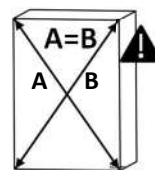
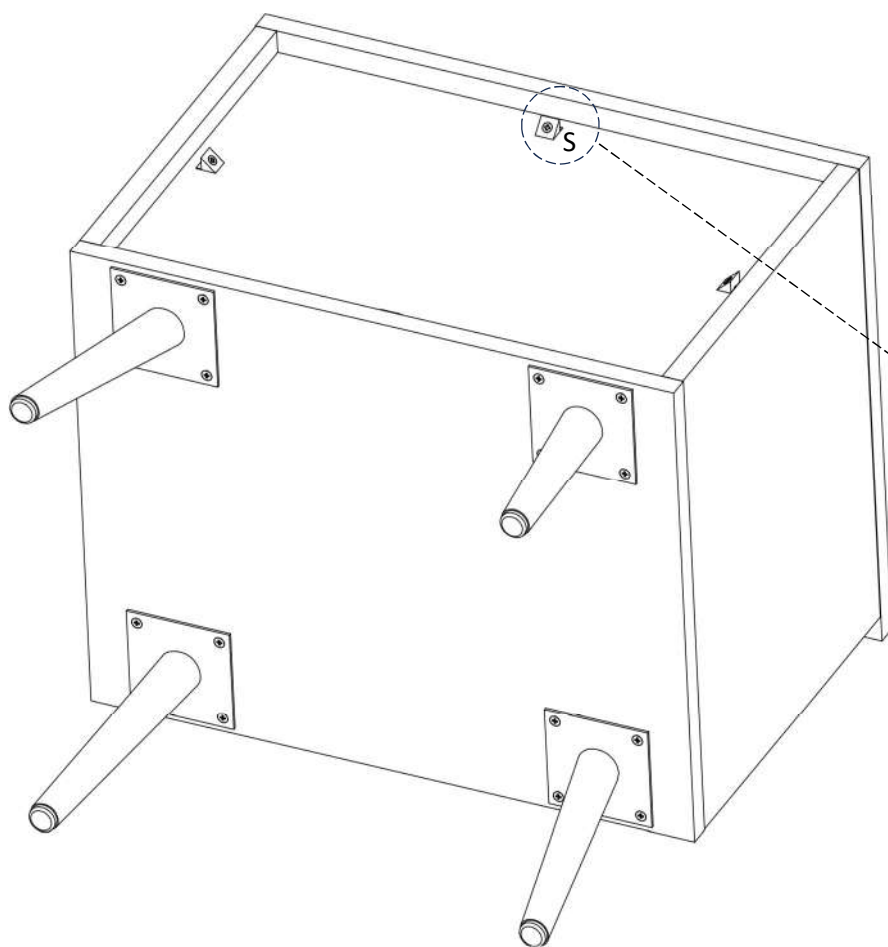
6



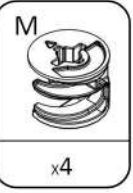
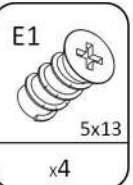
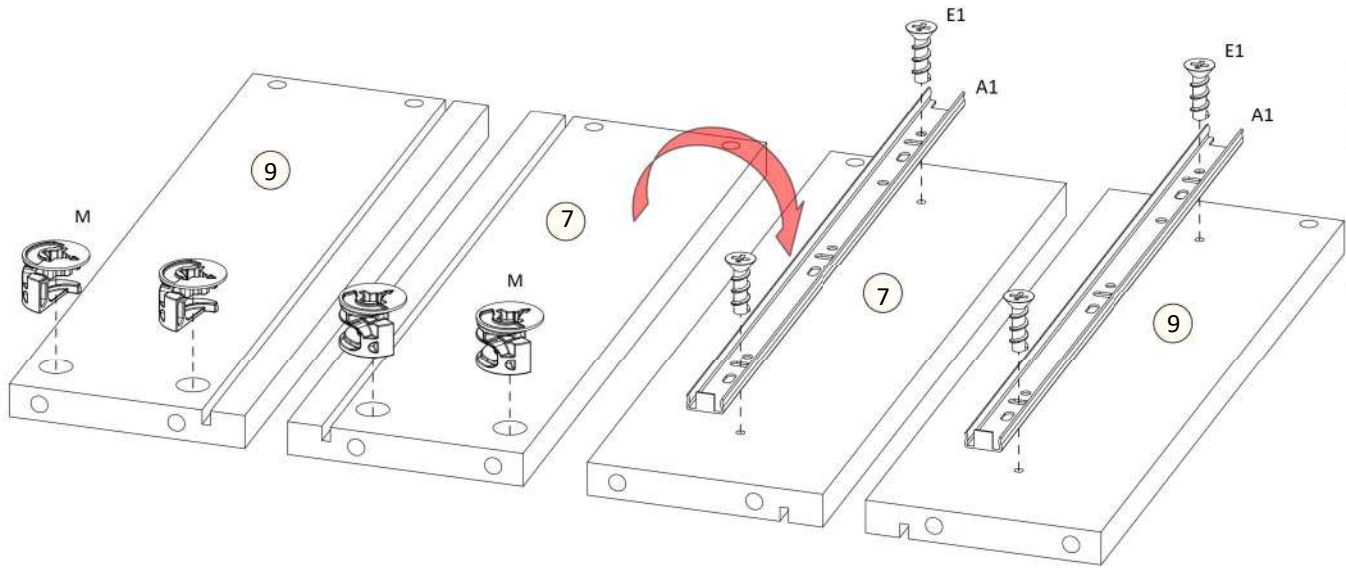
7



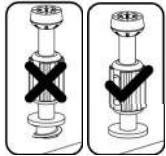
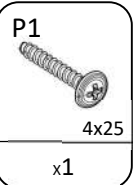
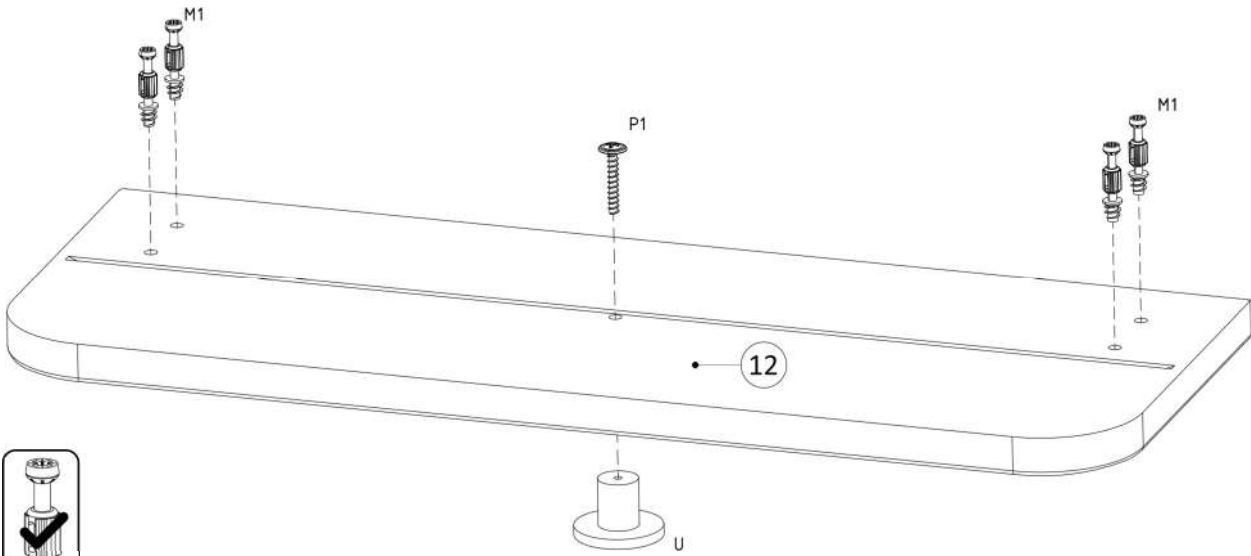
8



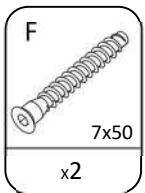
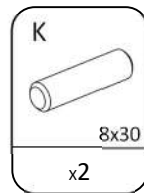
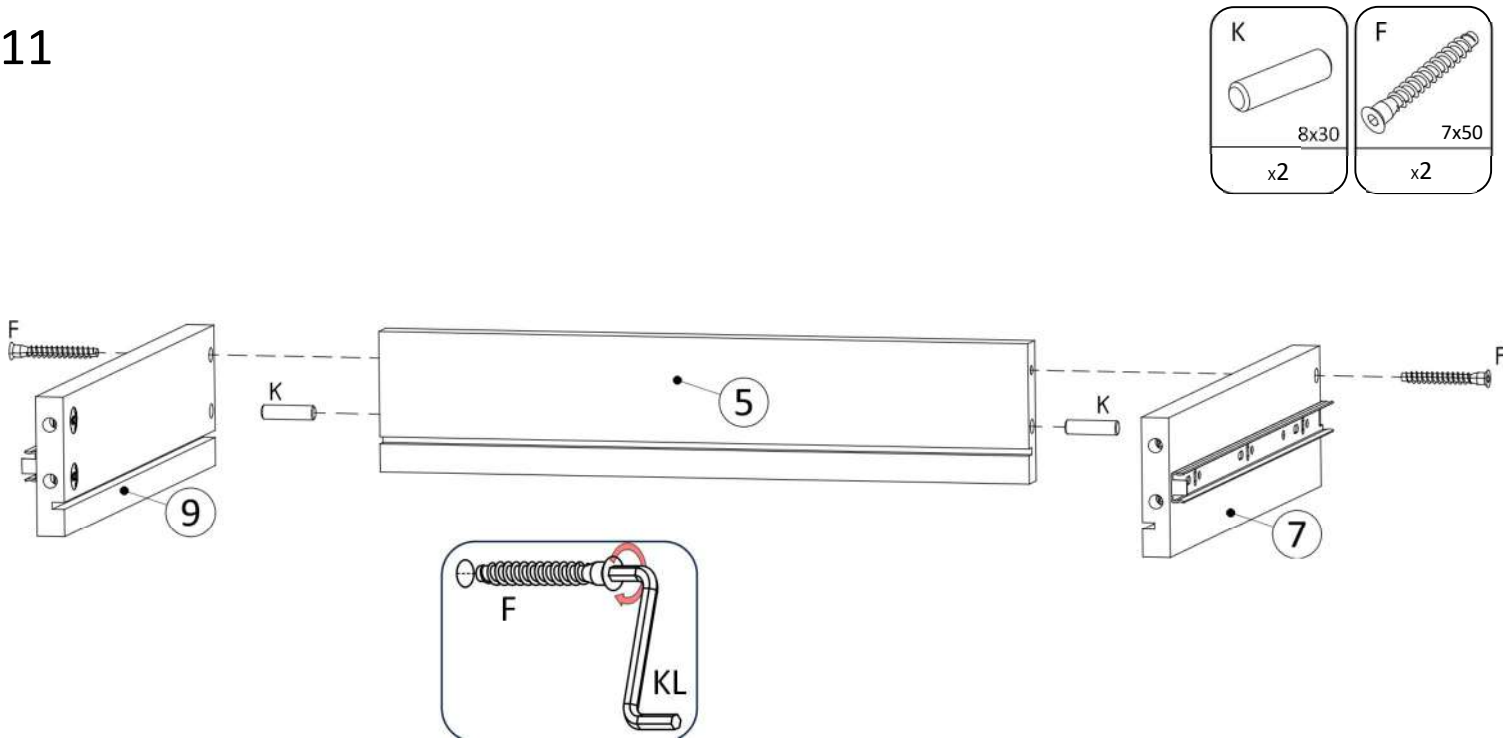
9



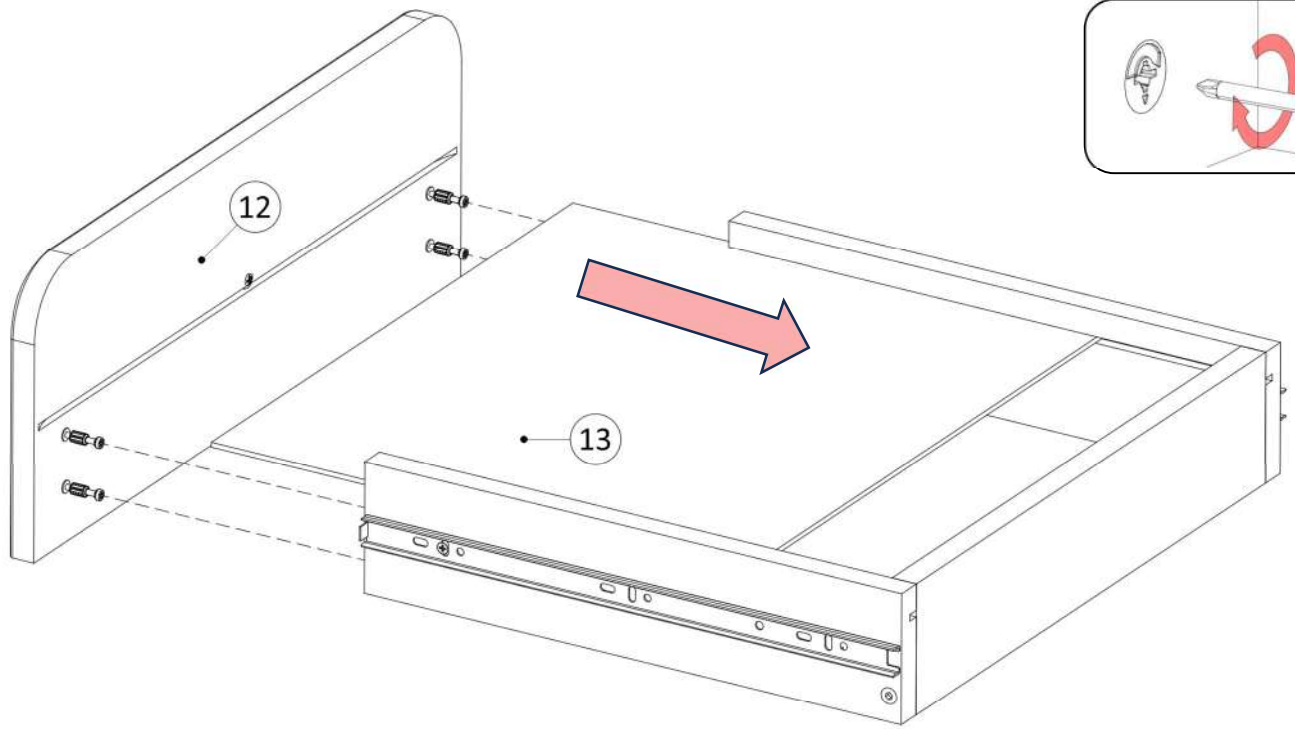
10



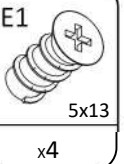
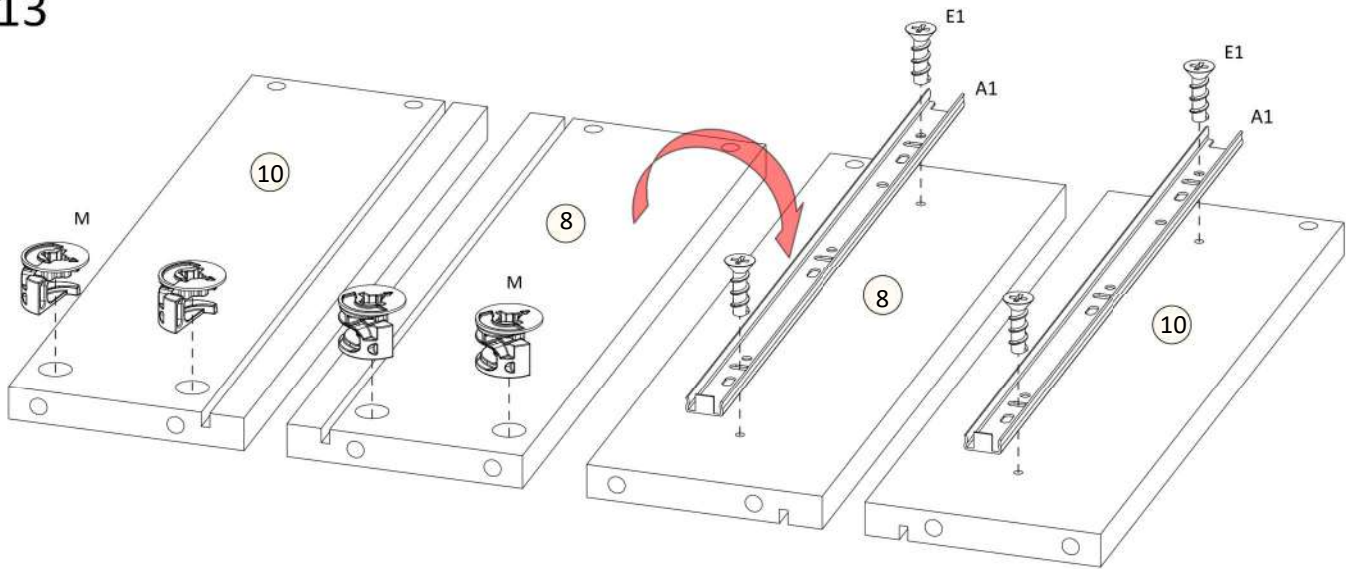
11



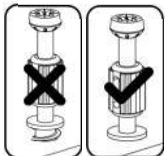
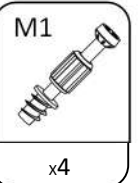
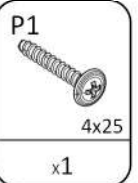
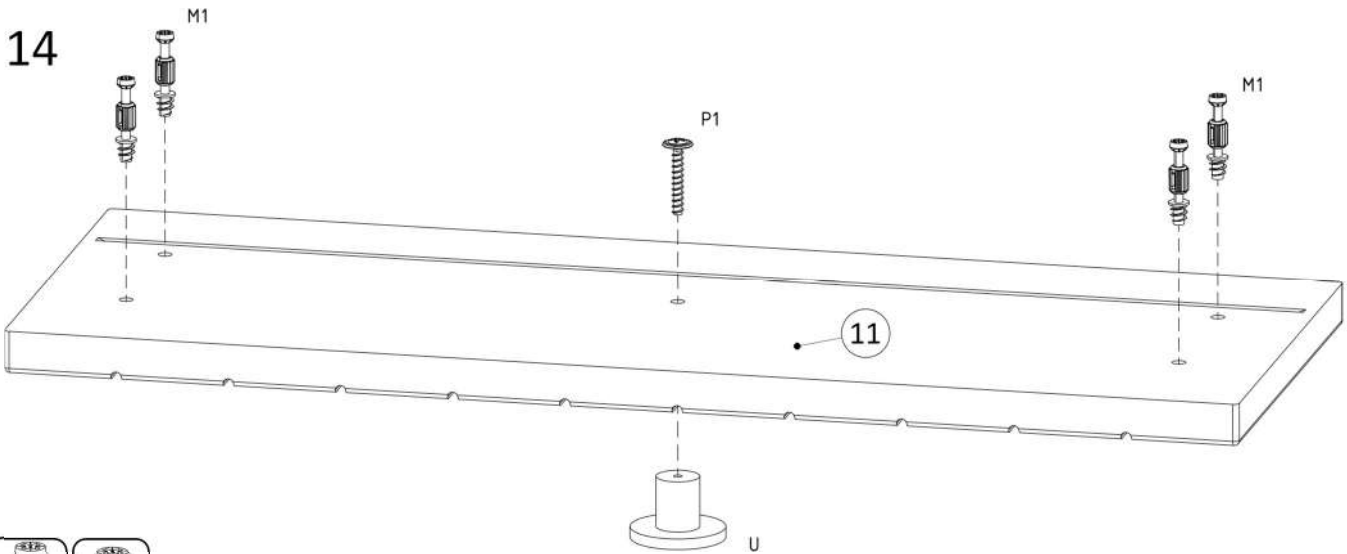
12



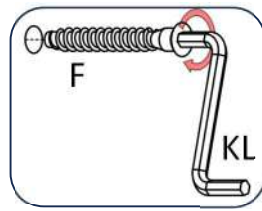
13

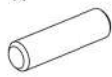



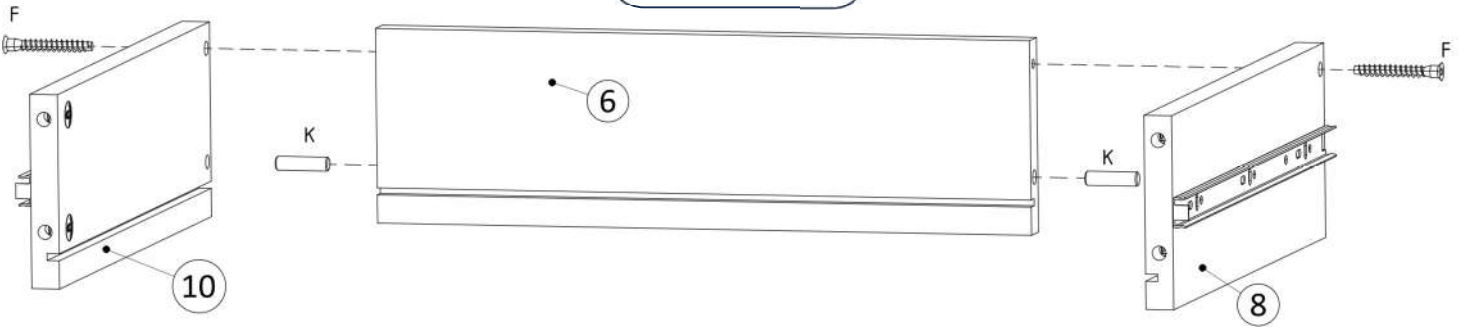
14



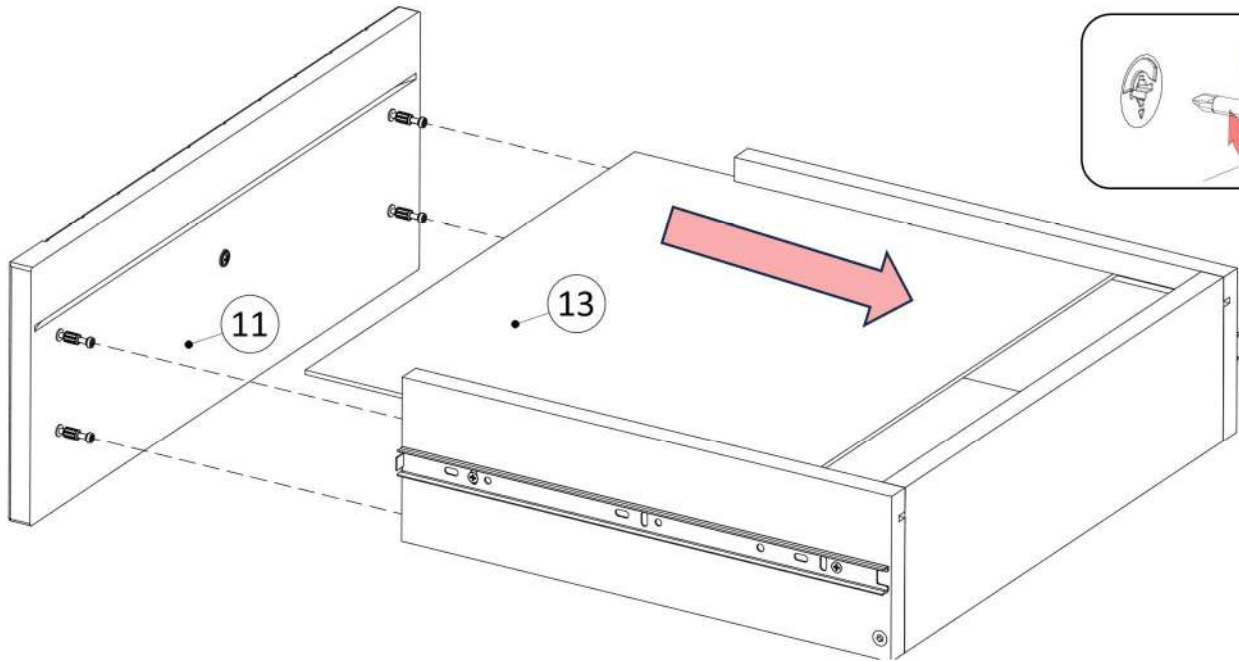
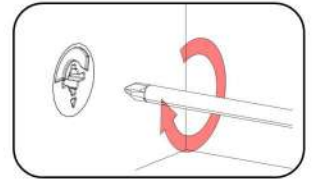
15



K	F
	
8x30	7x50
x2	x2



16



17

