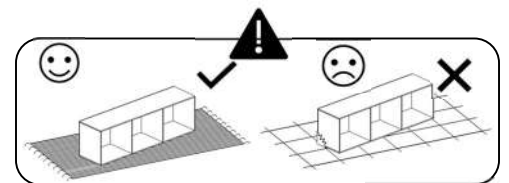
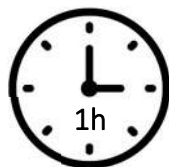
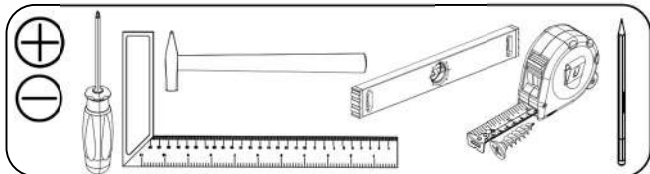
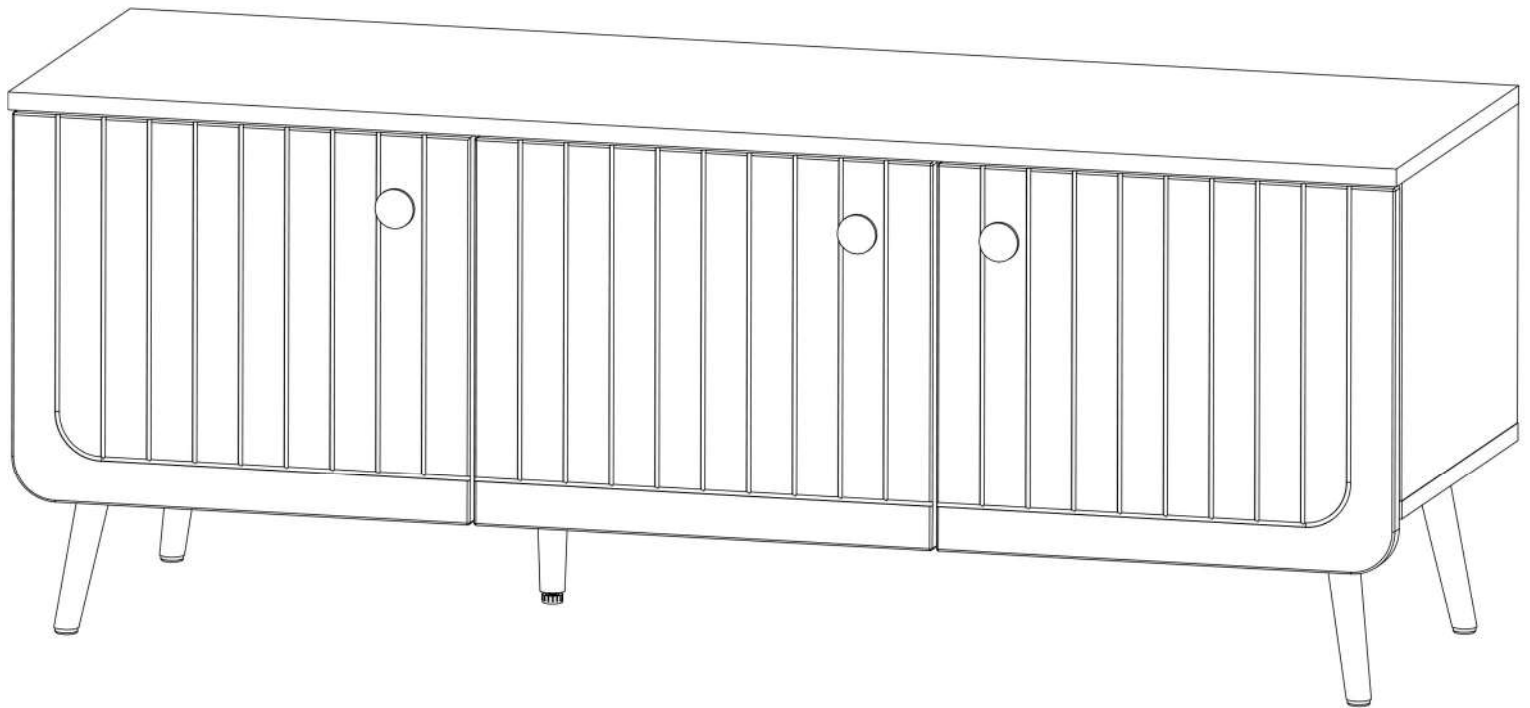
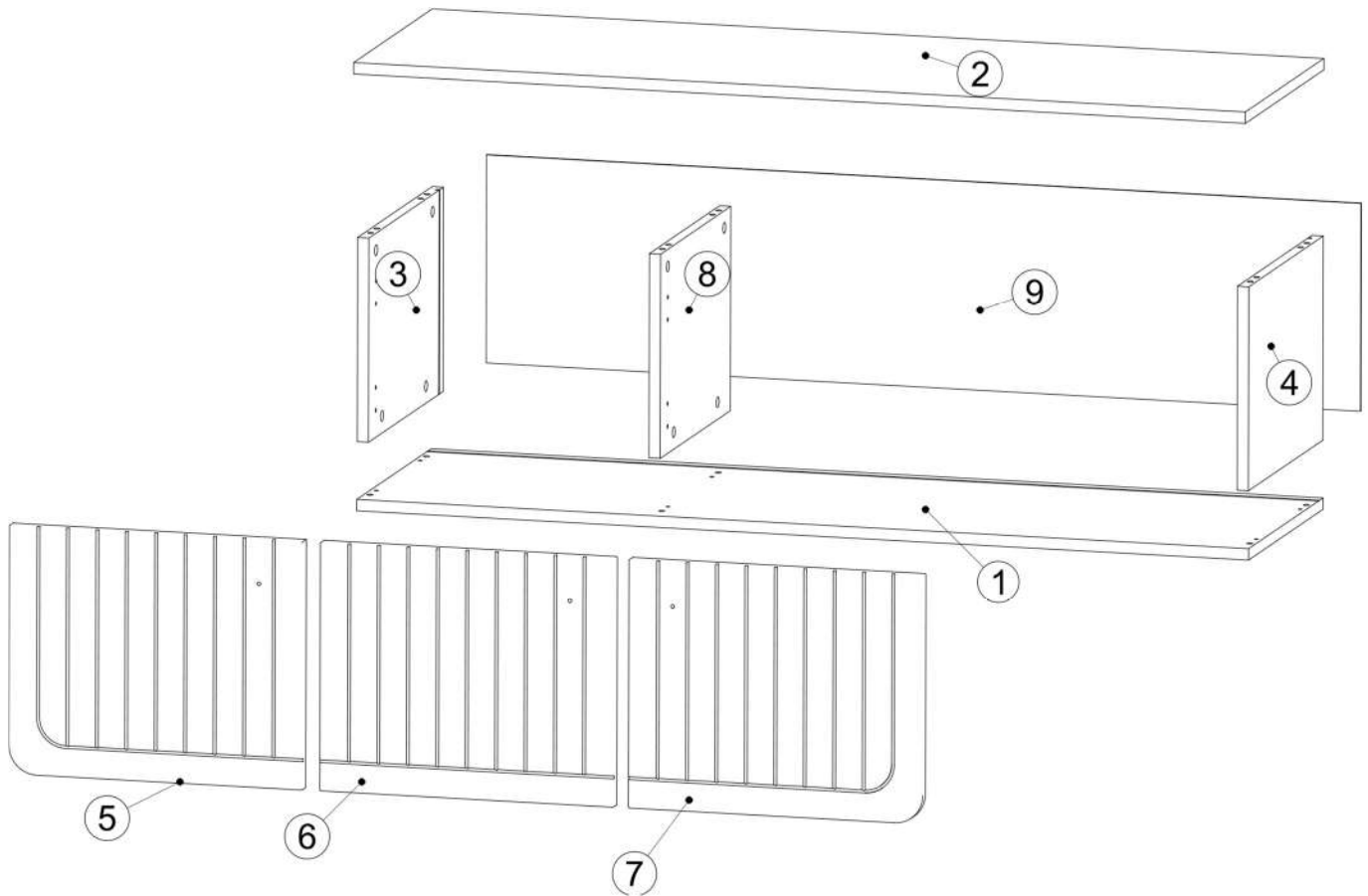


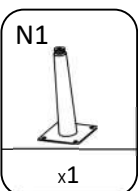
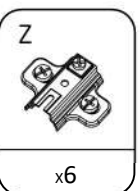
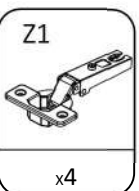
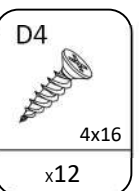
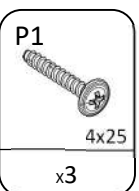
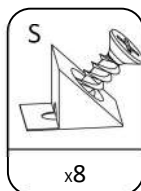
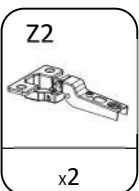
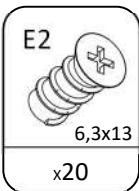
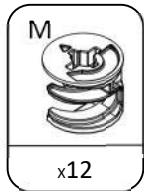
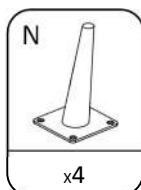
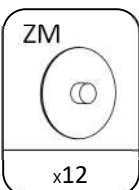
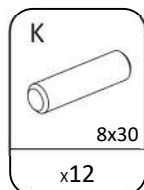
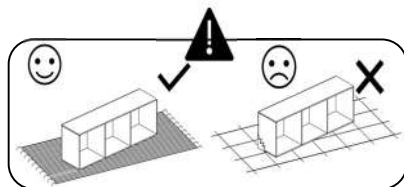
CHLOE

RTV 3D

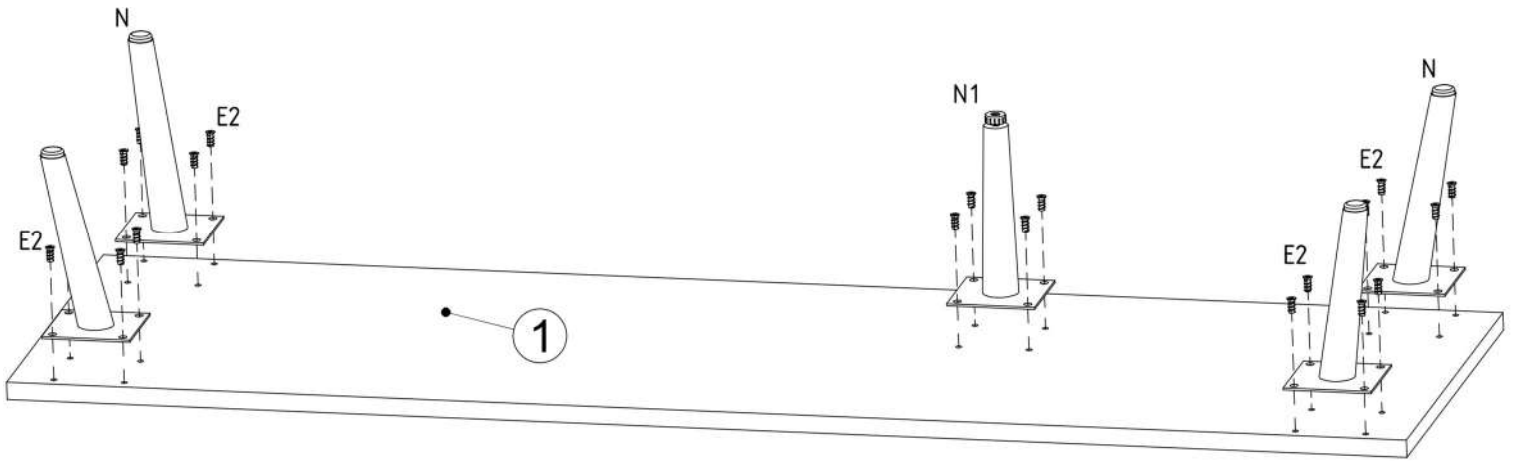
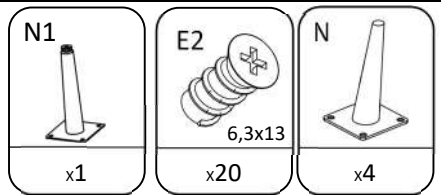




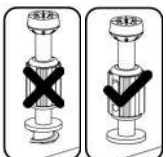
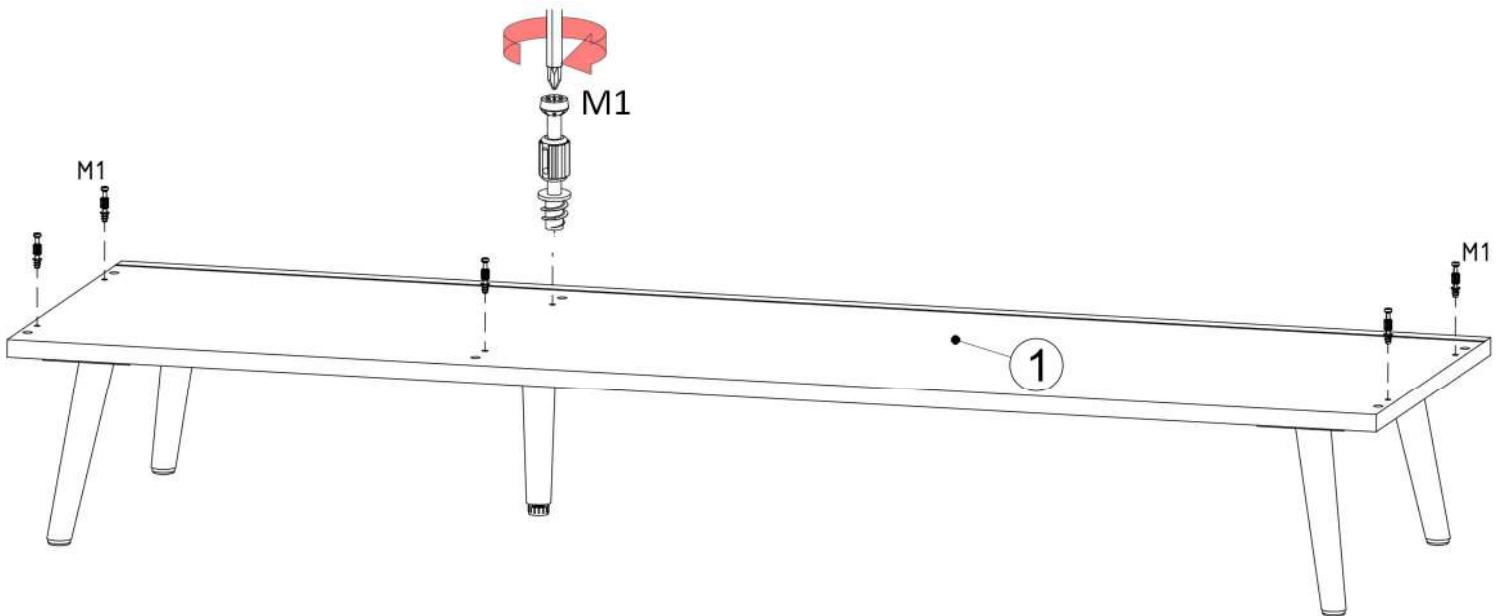
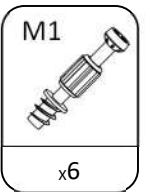
N o	T(mm0)	L(mm)	W(mm)	psc.
1	16	1273	380	1
2	16	1273	400	1
3	16	287	380	1
4	16	287	380	1
5	16	349	420	1
6	16	420	349	1
7	16	349	420	1
8	16	287	358	1
9	3	1248	296	1



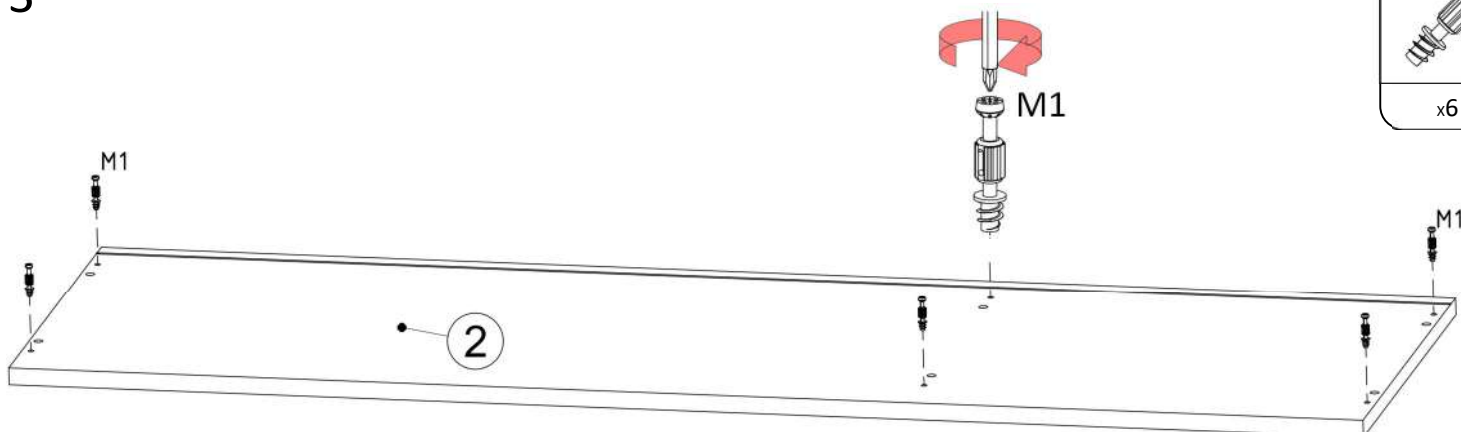
1




2



3



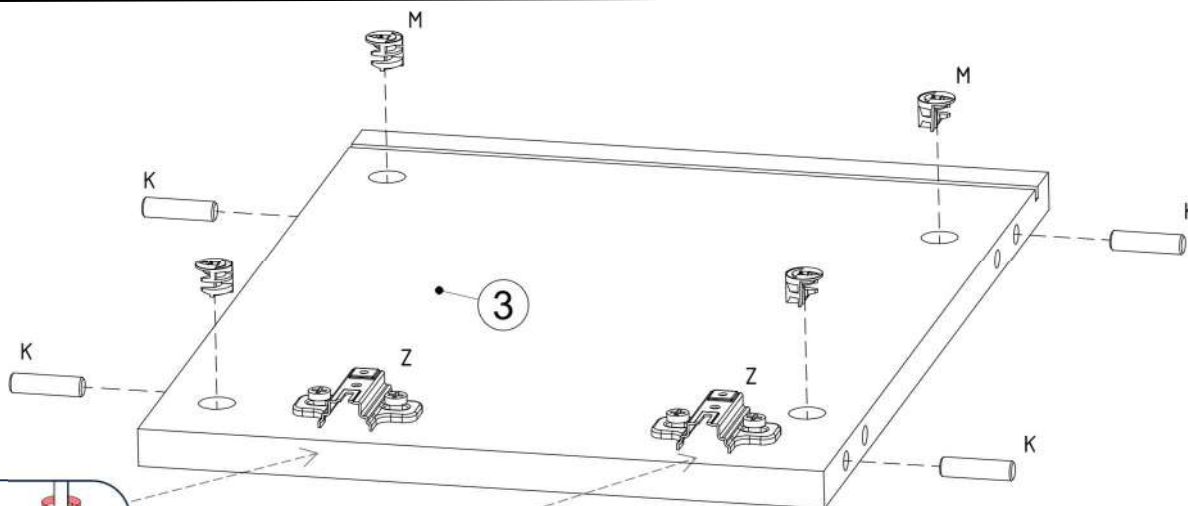
M1



x6



4

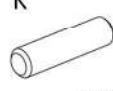


M



x4


K



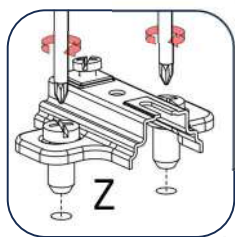
8x30

x4

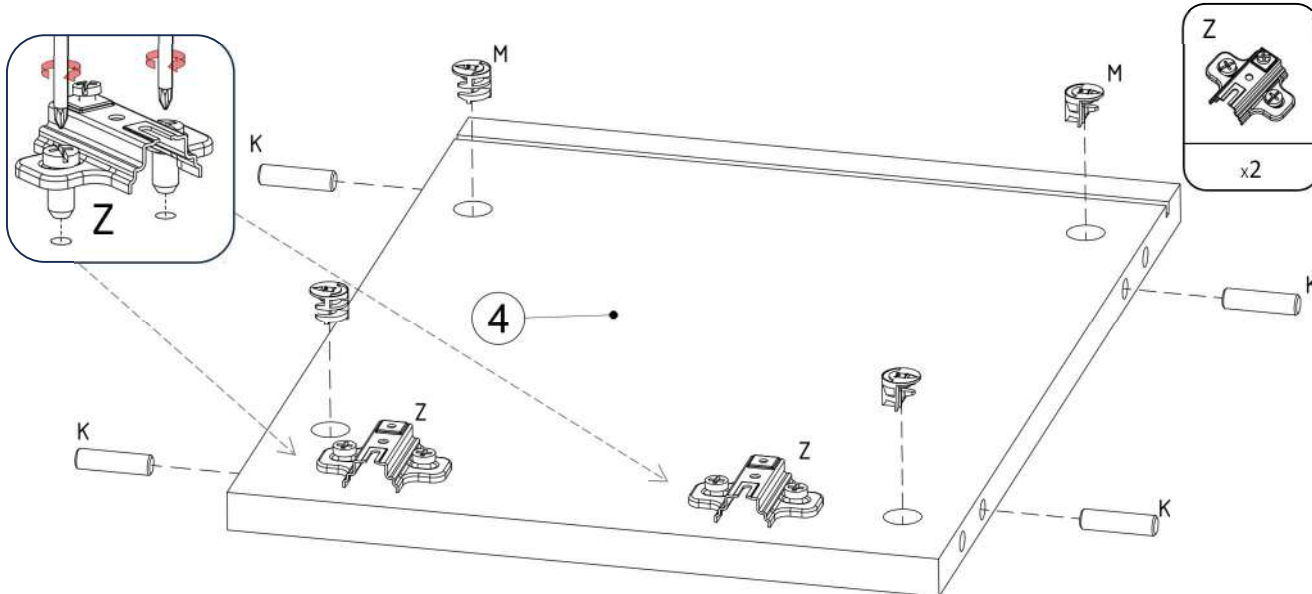
Z




x2



5

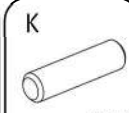


Z



x2


K



8x30

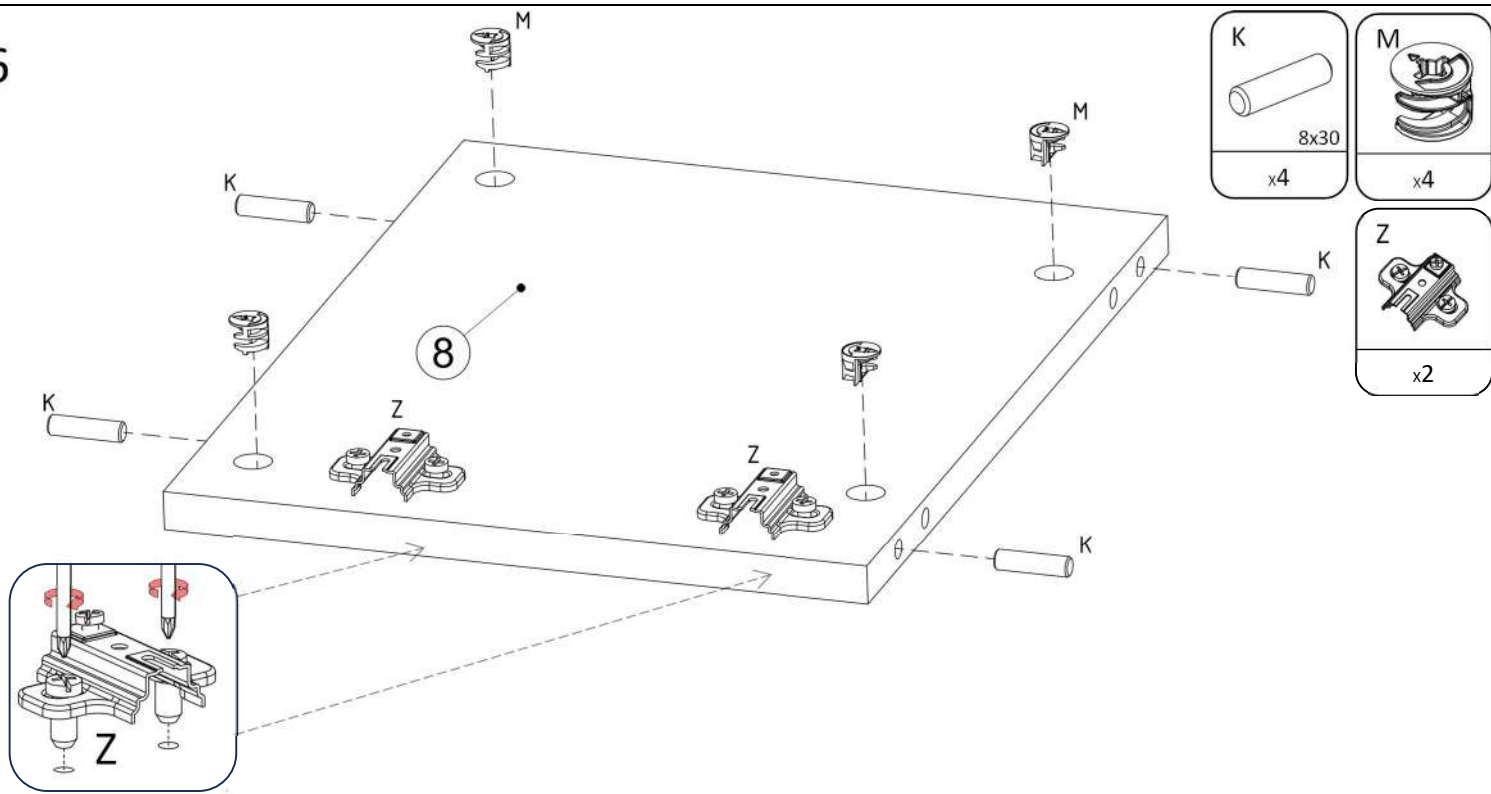
x4

M

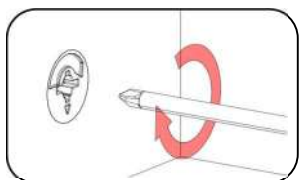
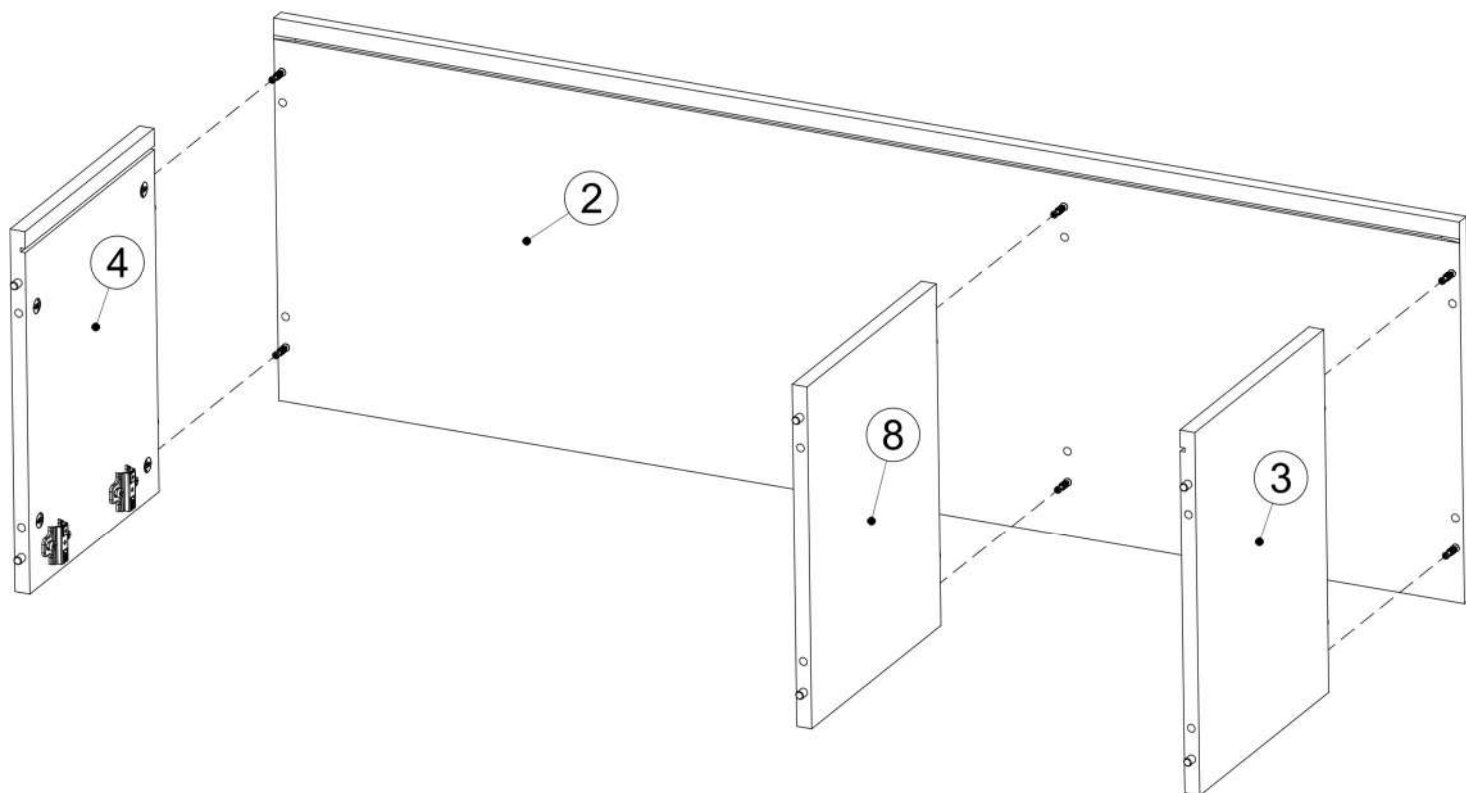


x4

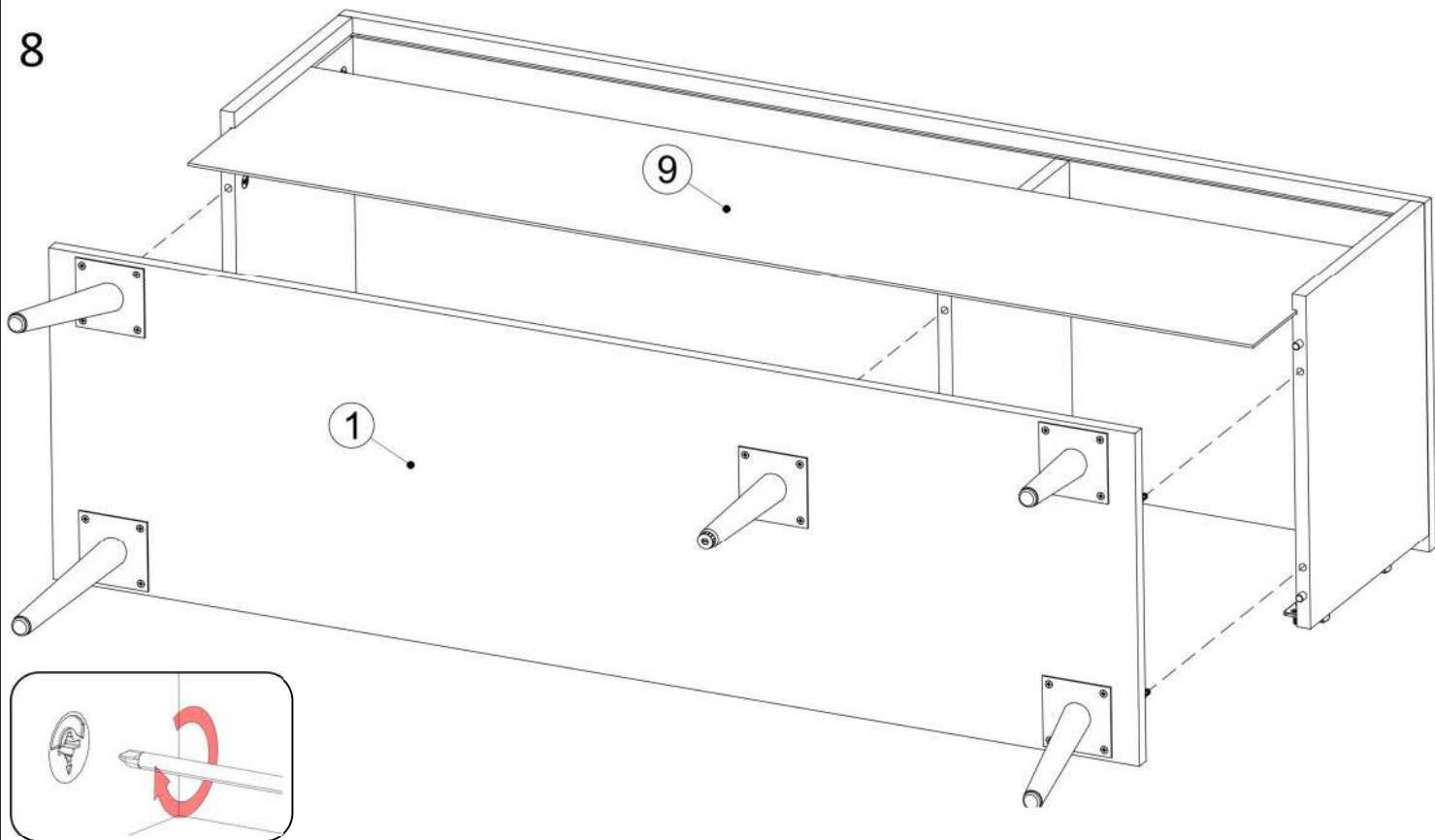
6



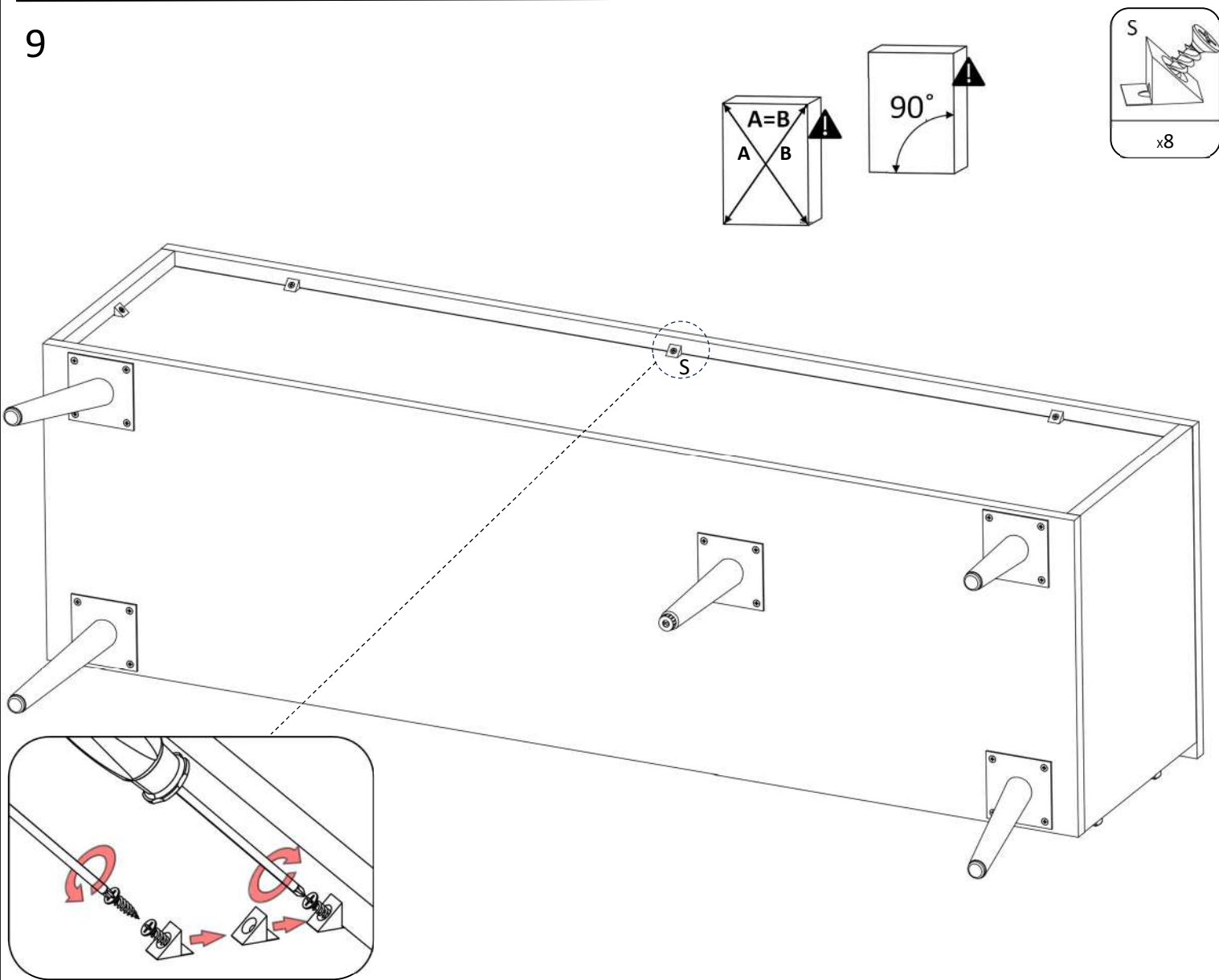
7






8




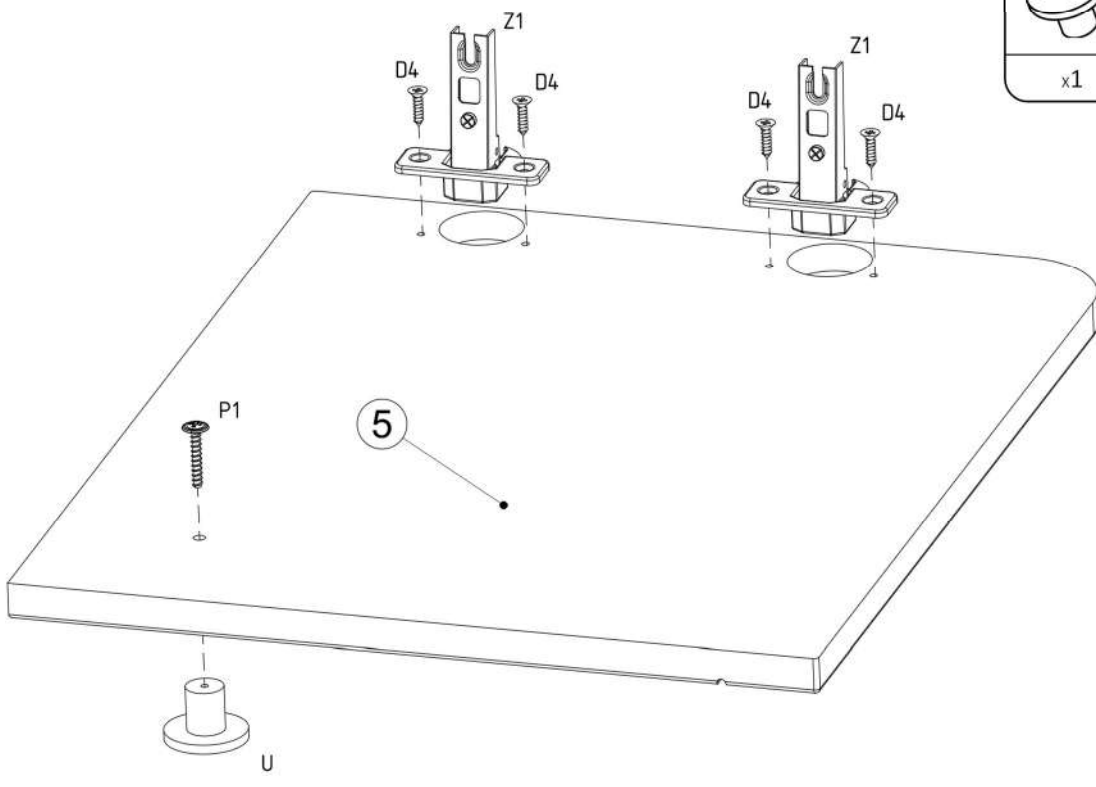
9






10


U  x1	D4  4x16 x4	Z1  x2
--	---	---

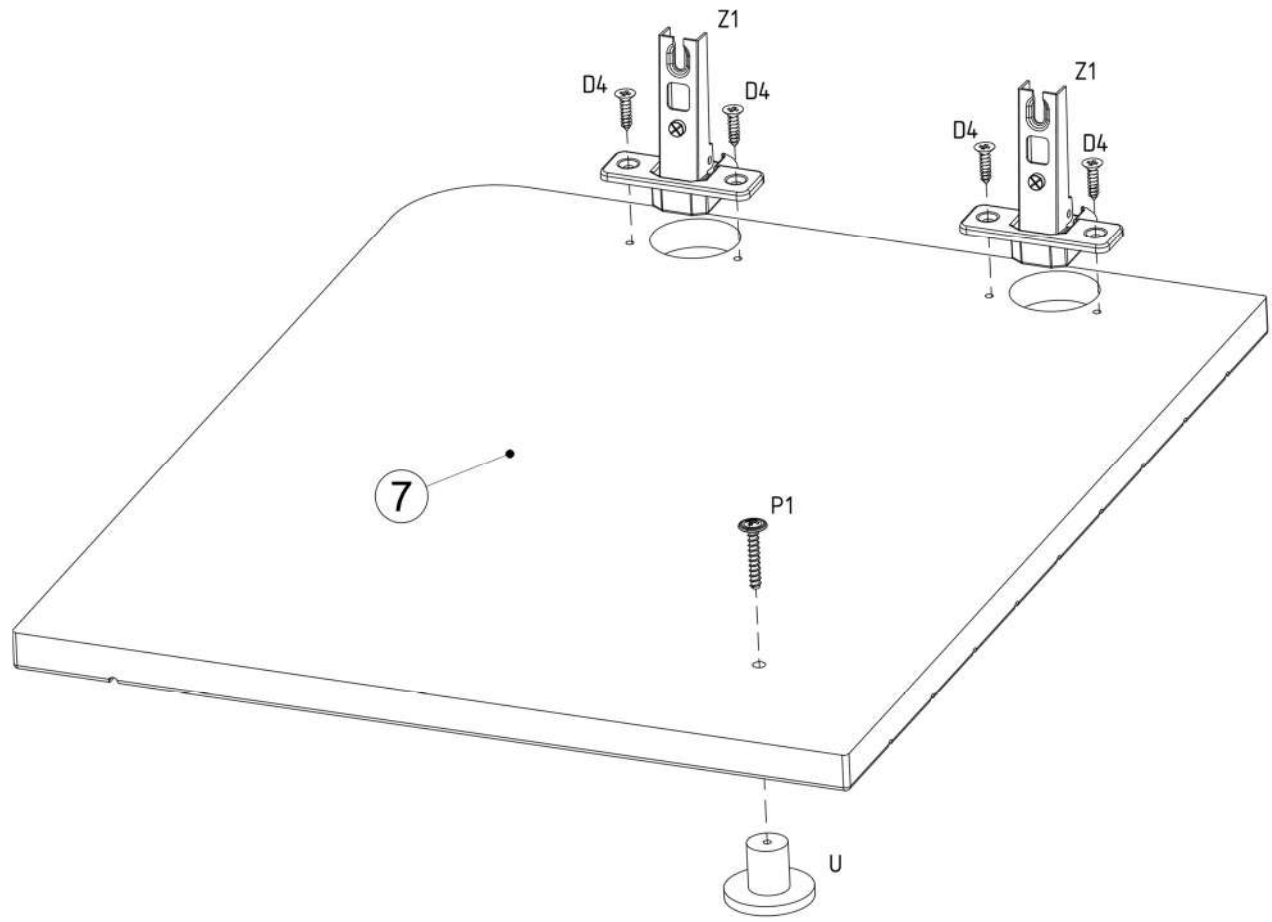
P1  4x25 x1



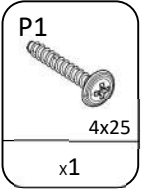
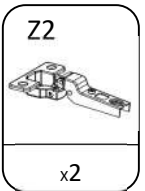
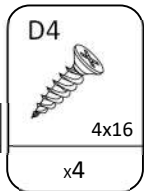
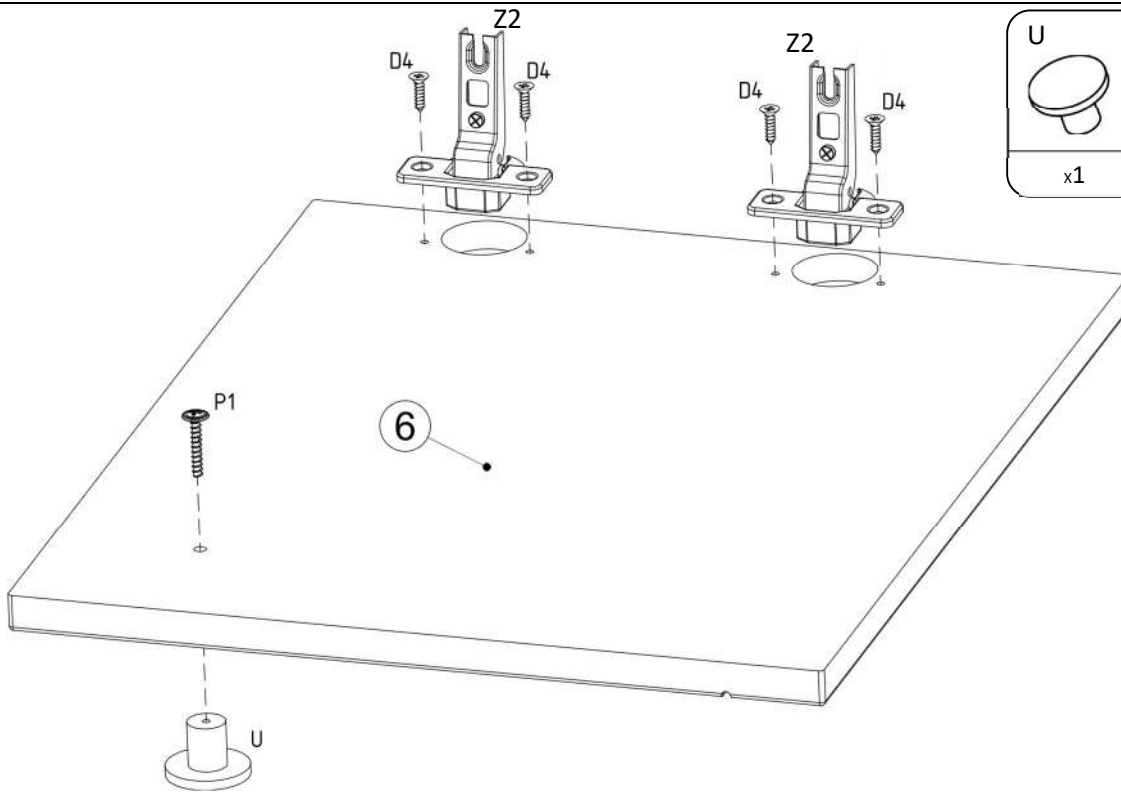
11

U  x1	D4  4x16 x4	Z1  x2
--	---	---

P1  4x25 x1



12



13

