

General Guidelines

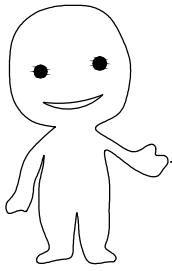
-Please read the following instruction carefully and use the product accordingly. Please keep this manual and hand it over when you transfer the product.- This summary may not include every detail of all variations and considered steps. Please contact us when further information and help are needed.

Notes

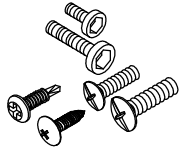
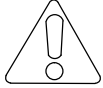
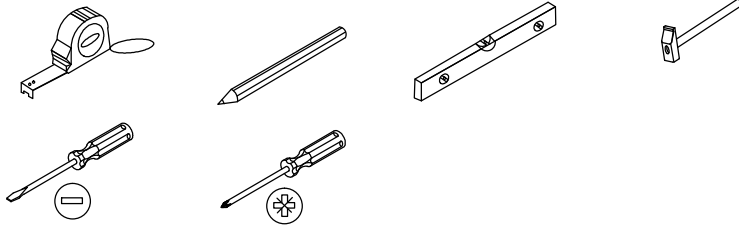
- The item is only intended for home use. Any uses that do not match the above description or unauthorized changes and modification are not permitted. Otherwise, it may result in personal injury or breakage of the product. The product must be assembled and used strictly in accordance with the provisions of the manual. The seller does not assume any responsibility or liability with respect to any damage caused by incorrect assembly or improper use.
- It is recommended to assemble it by 2 adults. Please read instructions carefully and assemble the item according to the instruction.
- Please check parts first after unpacking. If there are defective, broken or missing parts please do not hesitate to contact.. Please assemble the item in spacious room and do not place the unwrapped product directly on the ground.
- It is recommended to wear gloves in the assembly to avoid scratches by the sharp edges Do not stand or sit on the wooden boards before the assembly.
- Please match the corresponding board and fitting based on the part number in the manual.
- If the board does not match with the fitting, please check the pieces as specified in this manual.
- Please refer to the diagram during assembly. Align all the screws with the related pre-drilled holes first and later tighten the screws one by one after putting all the parts in the correct places.
- Please remove all items on the product before moving.
- Two people are required to move the product as the item should be lifted off the ground. Please do not drag it along the floor as it may damage your floor.
- Do not expose the product to direct sunlight or rain. Do not put it in a humid place. Failure to do so may accelerate the distortion, discoloration or crack. Do not leave sharp objects. Do not pour corrosive chemicals on the surface of the board.
- For daily care, please clean with a damp cloth and wipe dry immediately

Warnings

- It is not intended for use by children under 3 years of age. Children must be under adult supervision to use the product.
- Children are not allowed to climb or play on the item to avoid toppling over which may cause serious or fatal injury.
- During the assembly process, keep small parts out of the reach of children. it may be fatal if small parts are swallowed or inhaled.
- To avoid the potential dangers of suffocation, please keep all parts and packaging (films plastic bags and foam, etc.) away from babies and children.

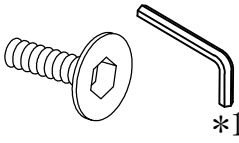
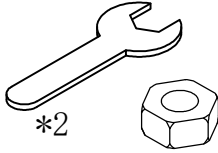

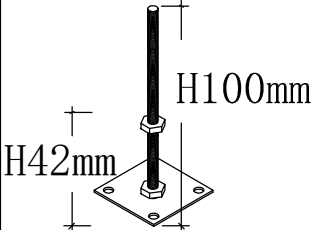
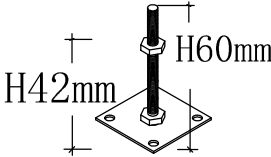

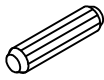
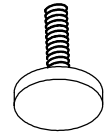



Please prepare the following tools

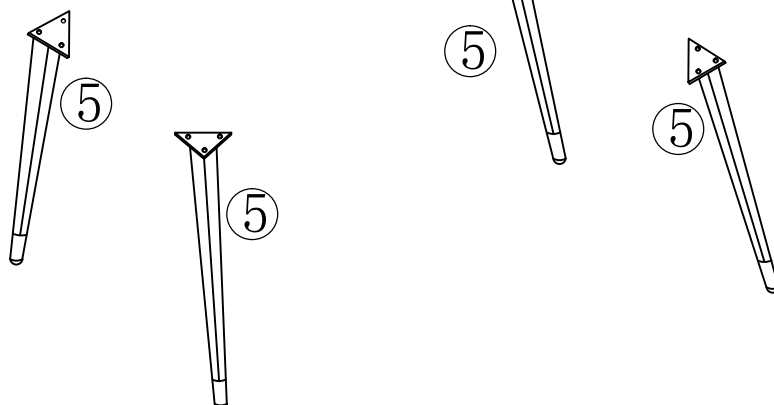
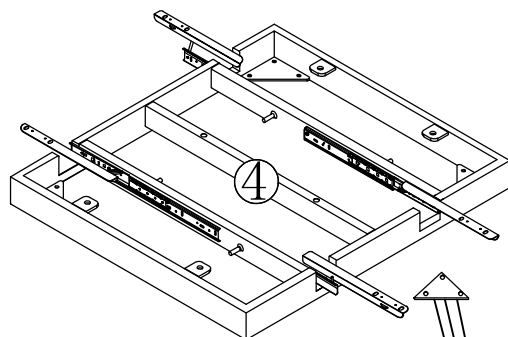
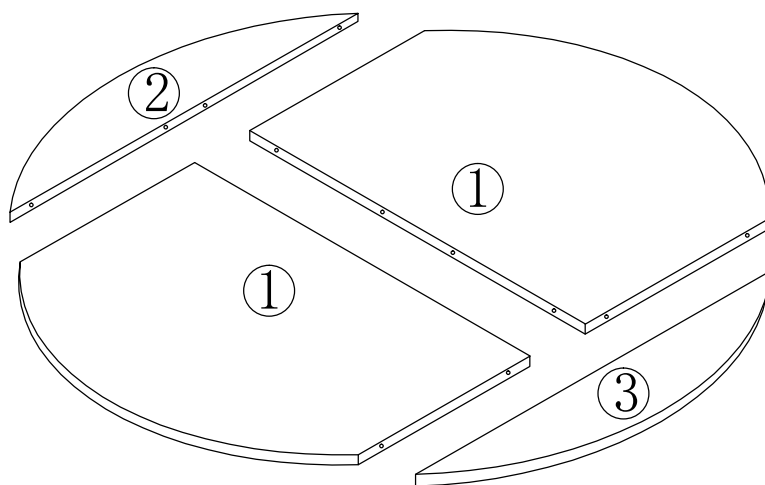


When installing, please carefully confirm whether each screw corresponds to the manual, accessories with similar shapes can be distinguished by size

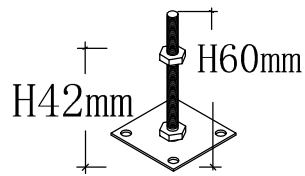
Tips: The number after "+" represents the spare hardware

 $\phi 8*15\text{mm}$ *1	 *2 $\phi 8*14\text{mm}$	 $\phi 8 \text{ mm}$	 $H42\text{mm}$ $H100\text{mm}$				
<input type="checkbox"/> (A)	20 pcs	<input type="checkbox"/> (B)	18+1 pcs	<input type="checkbox"/> (C)	28+1 pcs	<input type="checkbox"/> (D)	2 pcs
 $H42\text{mm}$ $H60\text{mm}$	 $\phi 3.5*20 \text{ mm}$	 $\phi 8*40\text{mm}$					
<input type="checkbox"/> (E)	4 pcs	<input type="checkbox"/> (F)	24+1 pcs	<input type="checkbox"/> (G)	4 pcs	<input type="checkbox"/> (H)	4 pcs
							
<input type="checkbox"/> (+2)	SPARE BAG	<input type="checkbox"/>		<input type="checkbox"/>		<input type="checkbox"/>	
<input type="checkbox"/>		<input type="checkbox"/>		<input type="checkbox"/>		<input type="checkbox"/>	
<input type="checkbox"/>		<input type="checkbox"/>		<input type="checkbox"/>		<input type="checkbox"/>	

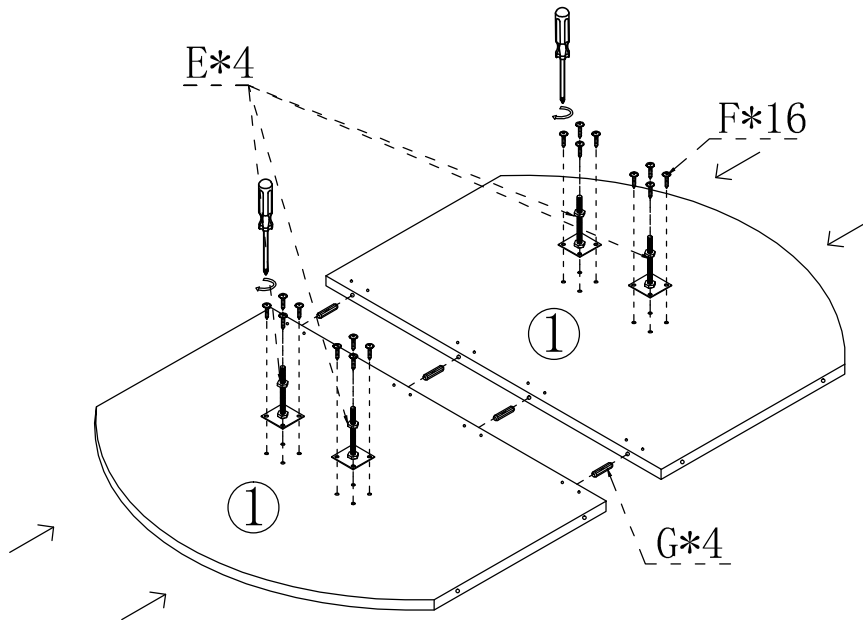
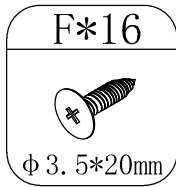
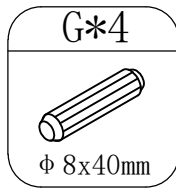
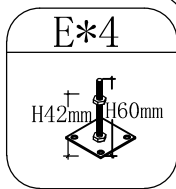
Parts List



Step 1

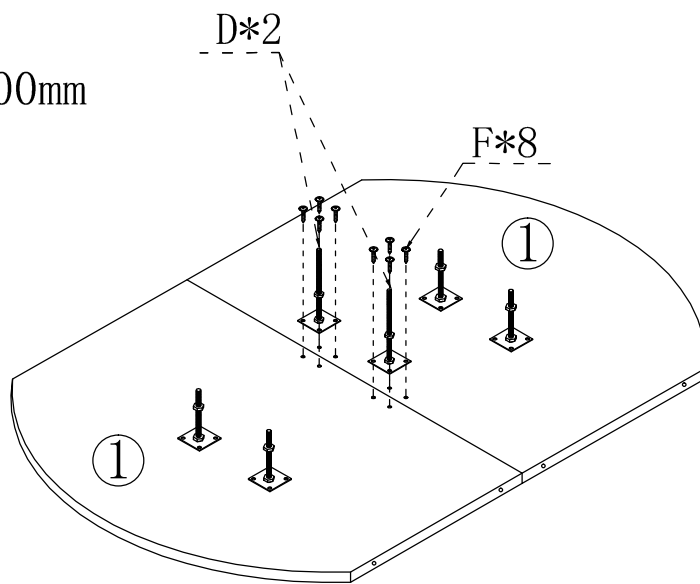
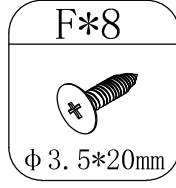
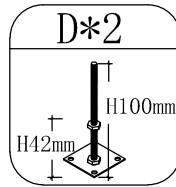
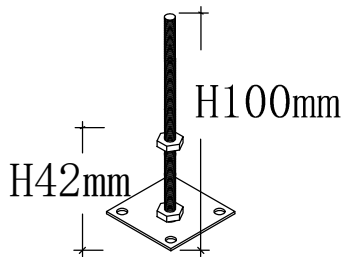


E accessories height 60mm



Step 2

D accessories height 100mm

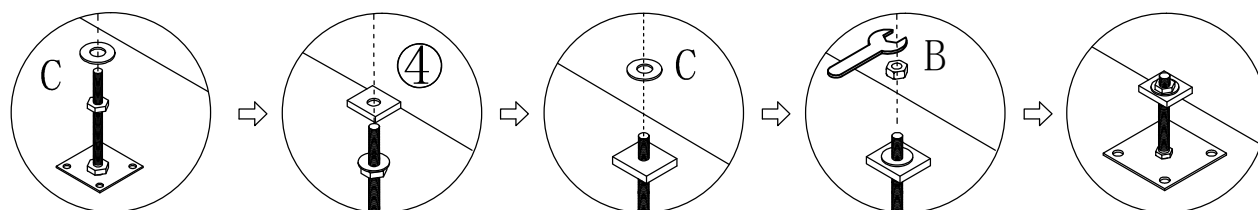
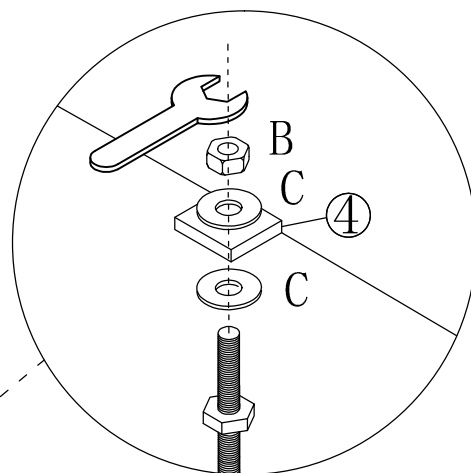
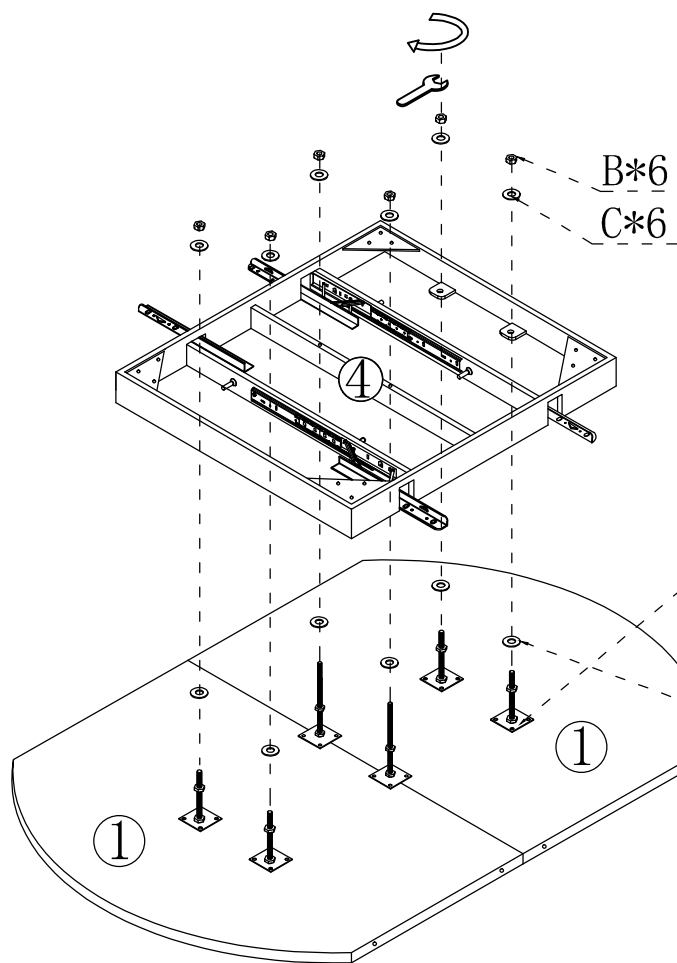
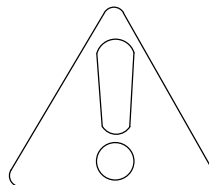


Step 3

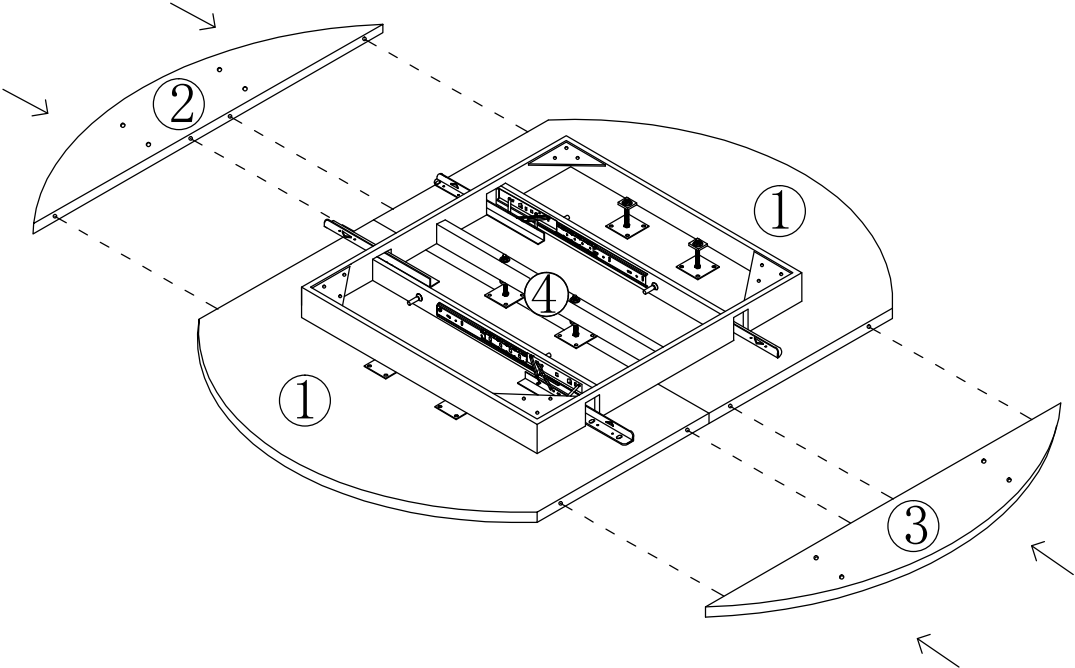
B*6



C*12

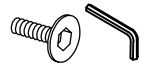


Step 4



Step 5

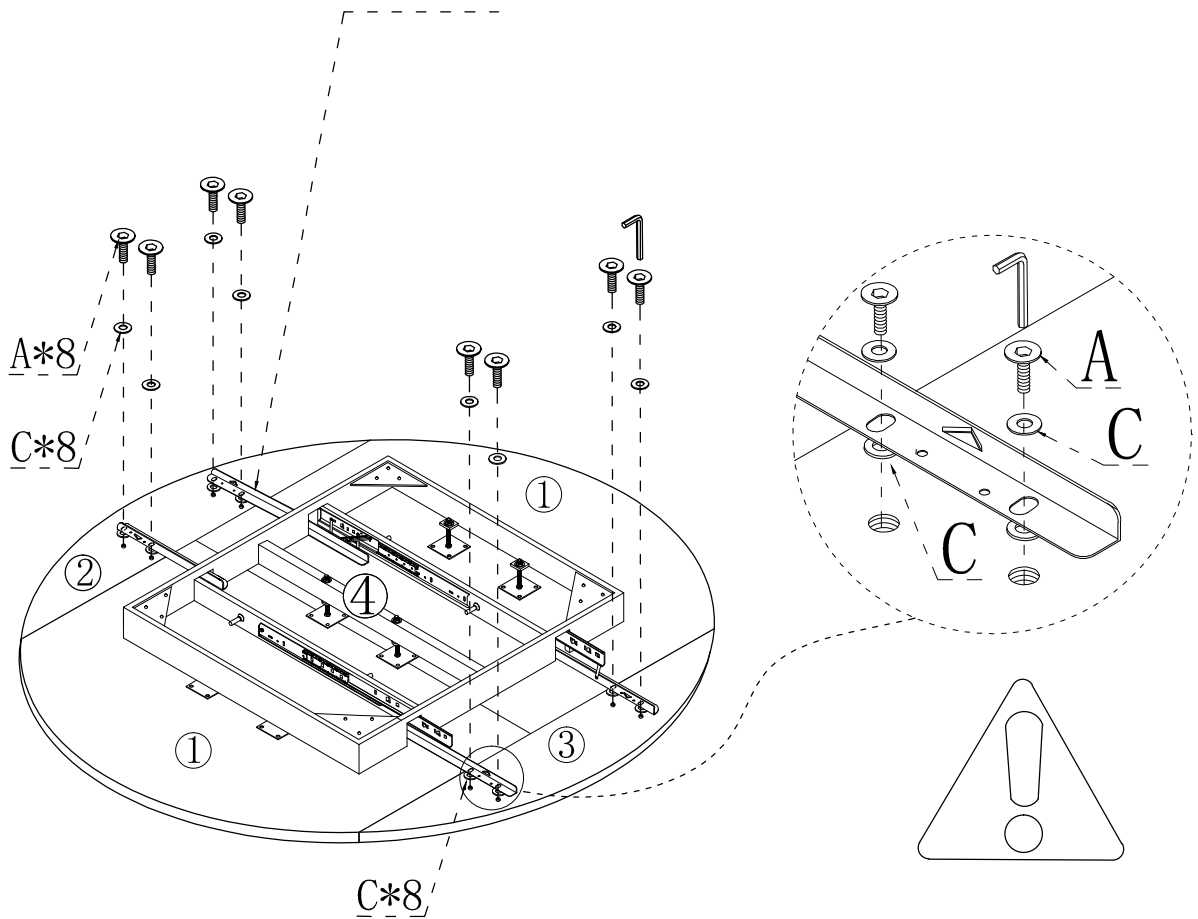
A*8



C*16

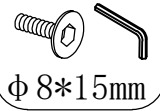


The small table top is connected by the hole position then pulls out the chute and installs by the hole position



Step 6

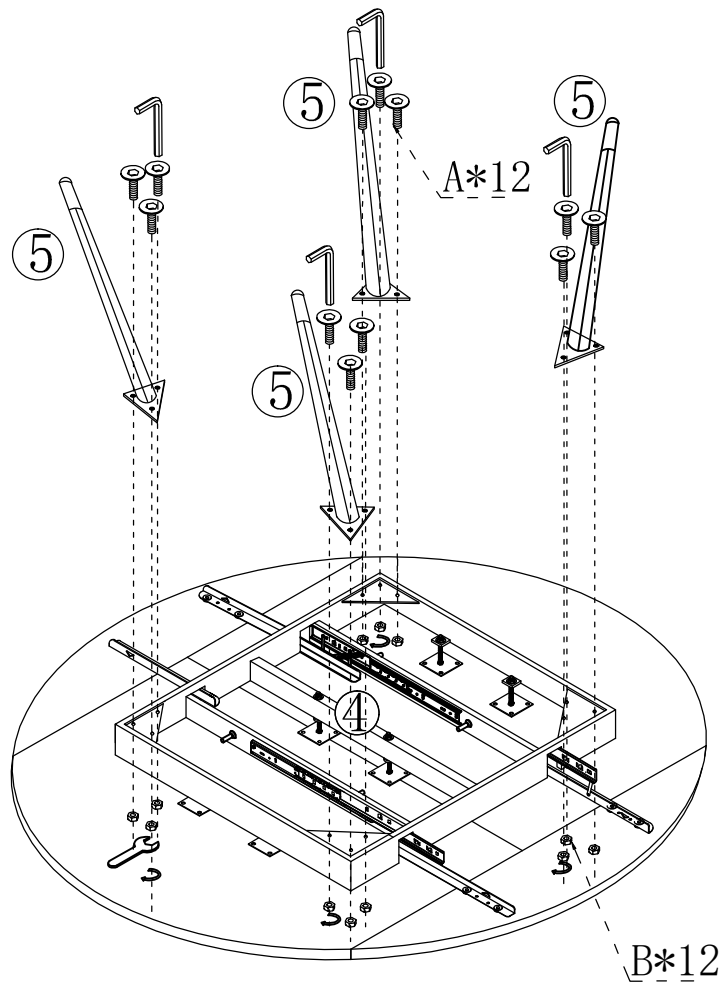
A*12



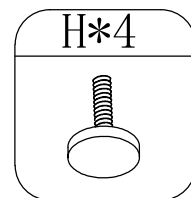
B*12



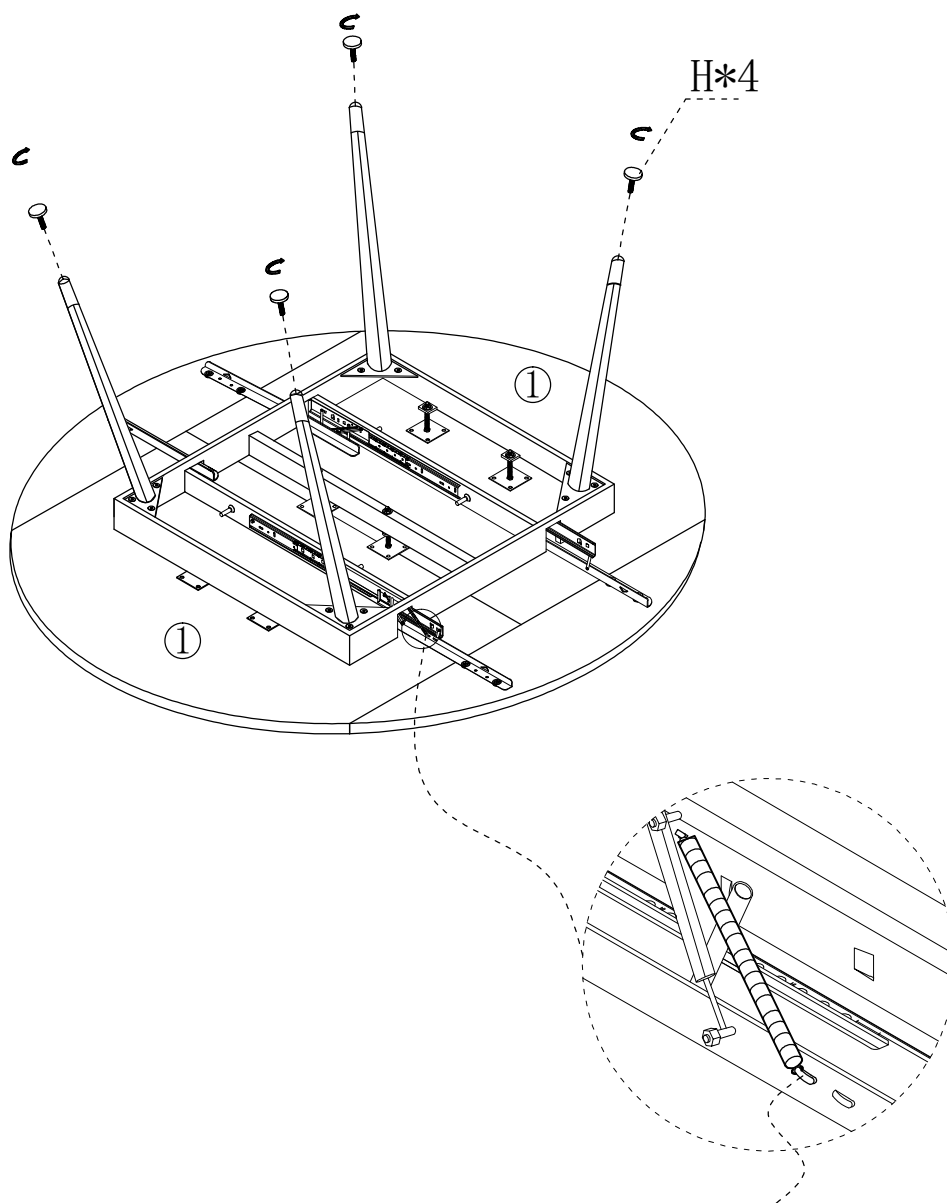
ϕ 8*14mm



Step 7



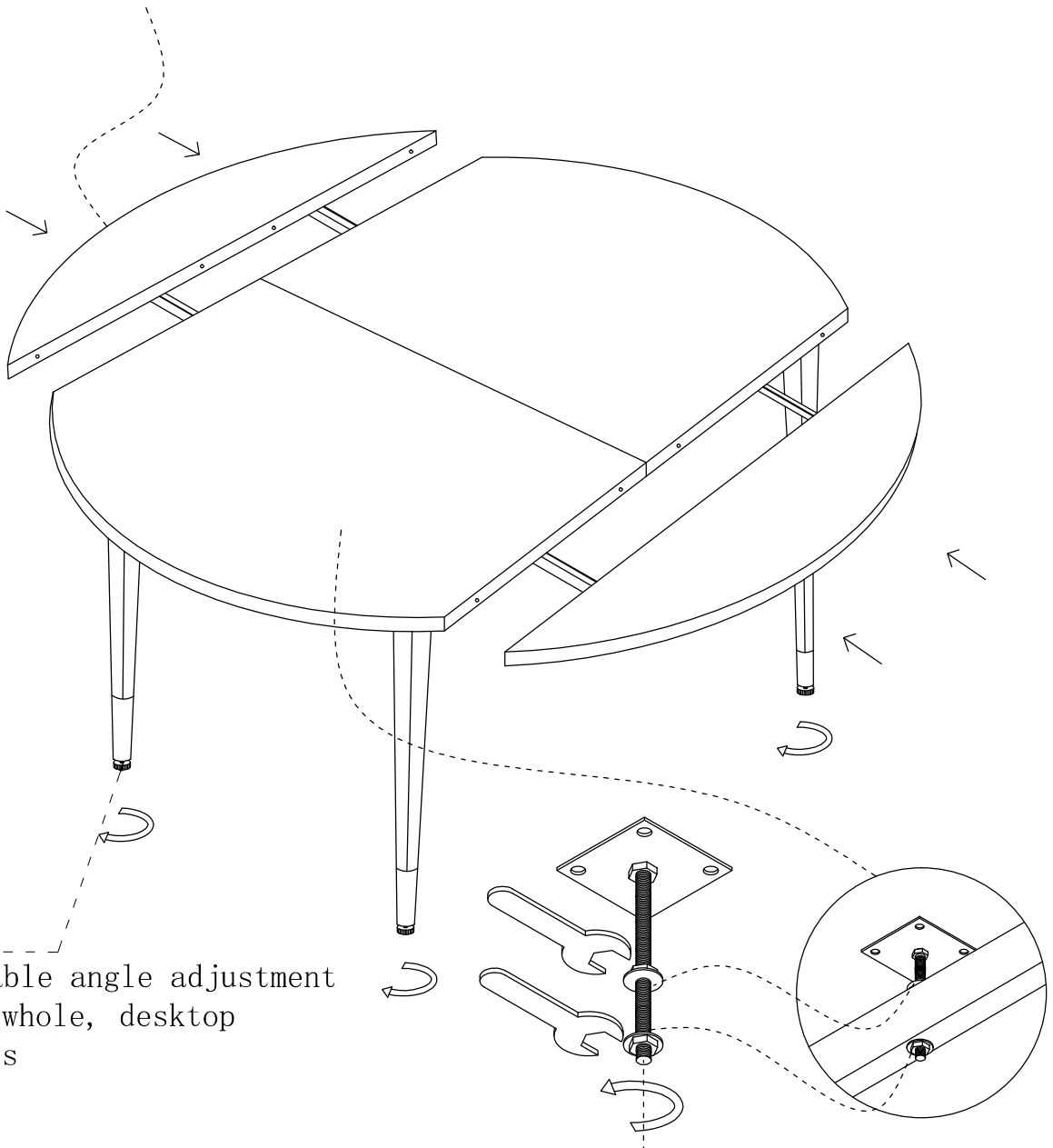
More than 2 people standing
balance, carrying No. 1 plate on
both sides, pay attention to
safety.



The spring suspends the first hole position
to pay attention to the safety

Step 8

Pull the small table out, put it down, and push it in, as shown in the picture, after indent position, balance push, prevent hand clamp, pay attention to safety

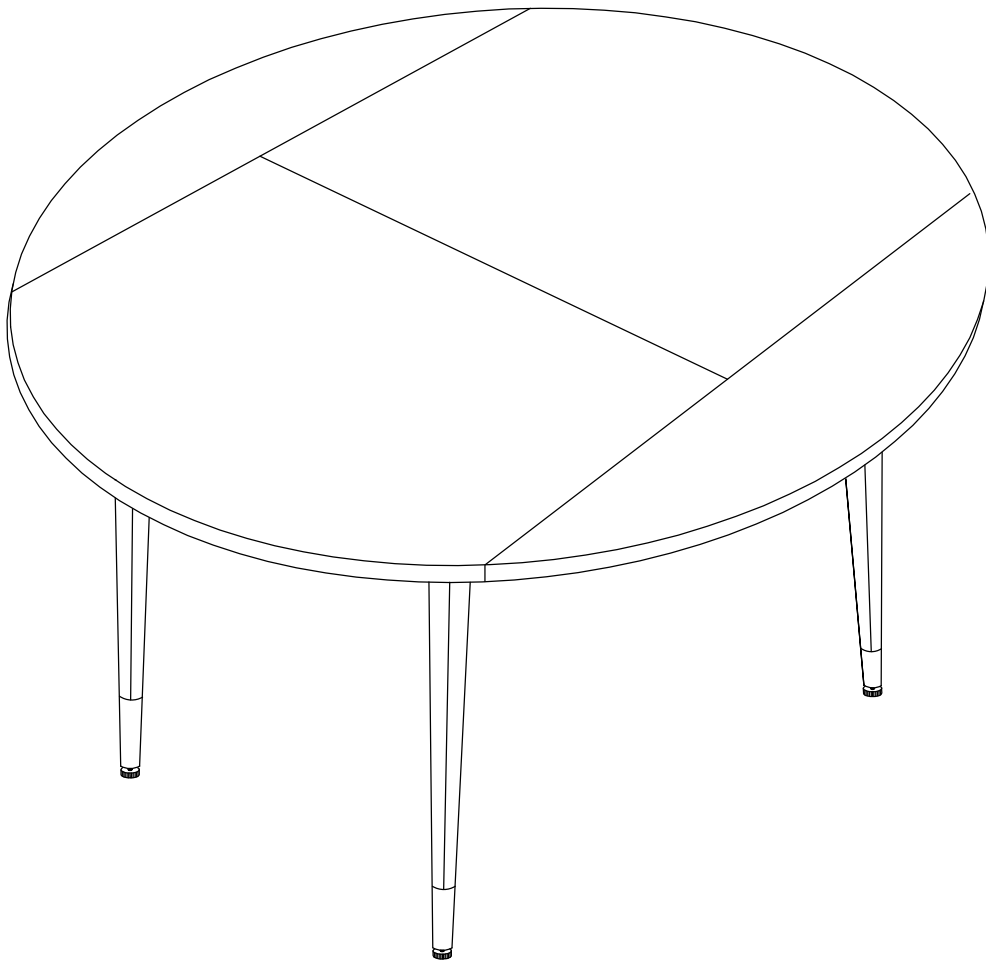


Adjustable angle adjustment of the whole, desktop flatness

After successful installation B and D/E nut fittings can be fine-tuned desktop leveling

Step 9

installation is complete



SAFETY TIPS:

Static charge may cause dust on foam- clean with a dry or damp cloth.

Small foam strands may be present-handle gently and dispose of properly.

Do not burn or incinerate. Check local recycling guidelines.