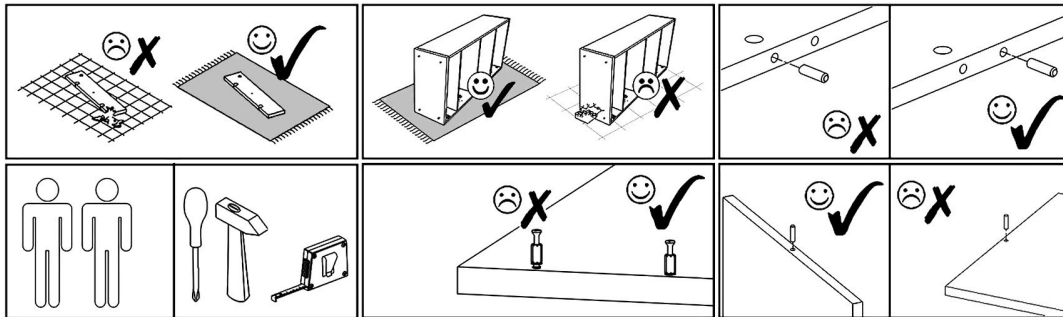
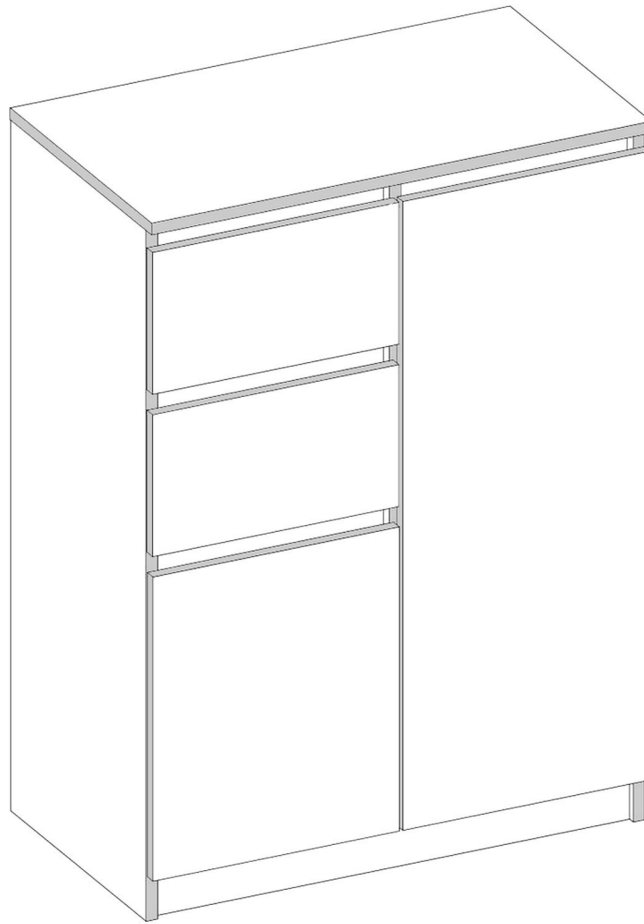









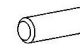



2D2S




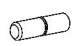




PRODUCTION DATE

PACKING CODE



Z2  x8	T1  x4	V12  x1
---	--	---

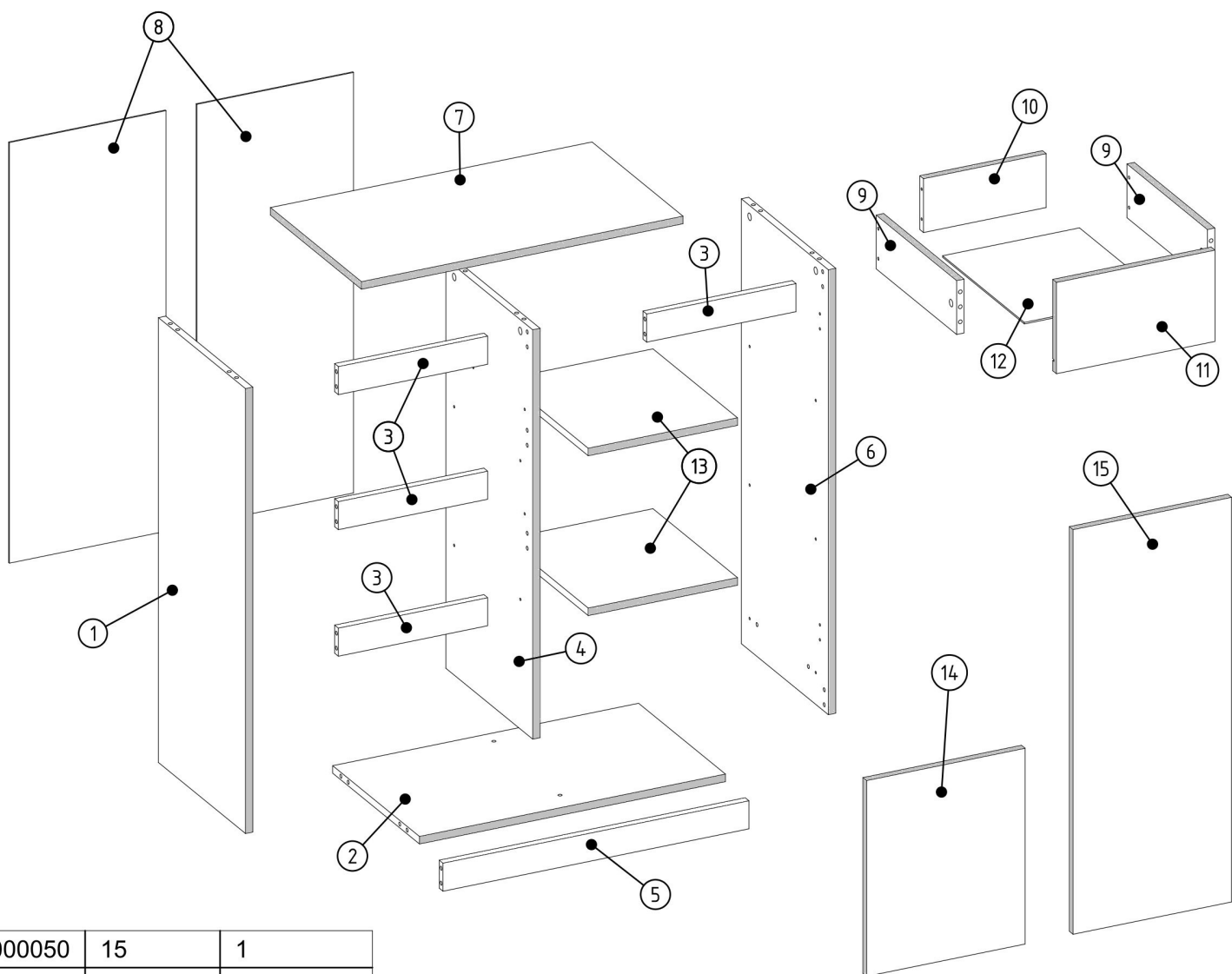
N1  L=35mm x14	M1  12x15mm x14	E3  8x50mm x2	S1  3,5x16mm x16	E1  8x30mm x34	V15  x5	S6  2,5x20mm x5	V13  x1
---	---	---	--	--	--	---	---

P3  L=350mm x2	Z1  x65	R1  6x8mm x8	V16  5x16mm x8	B1  ø17/4mm x4	A1  ZP x4	F1  7x50mm x2	F3  Hex 4mm x1
---	---	--	--	--	--	---	--





2D2S


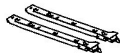
PRODUCTION DATE

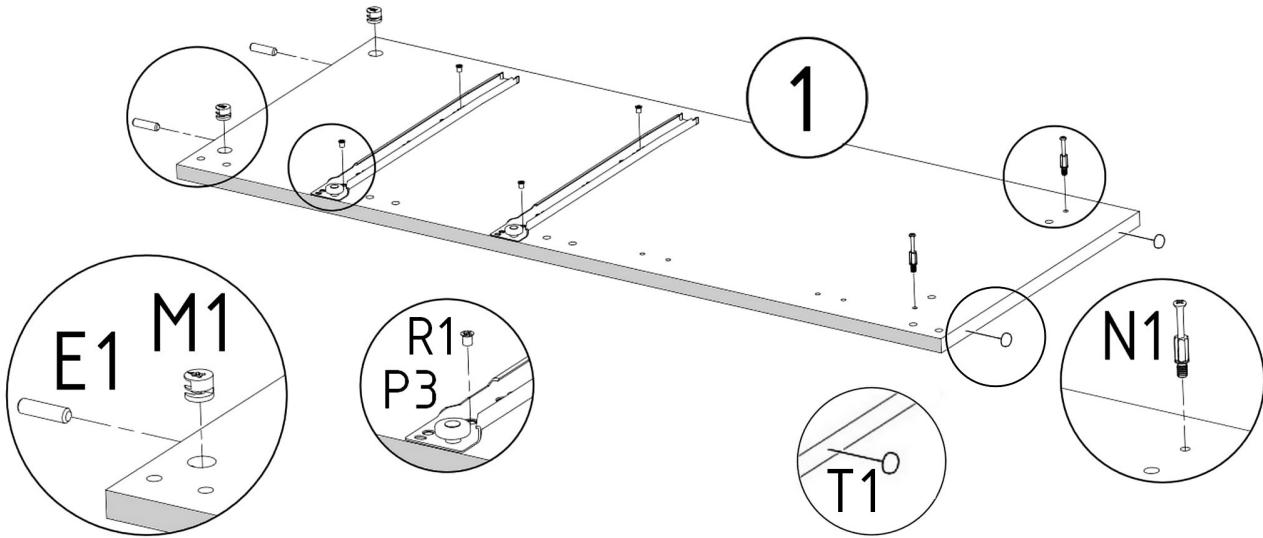
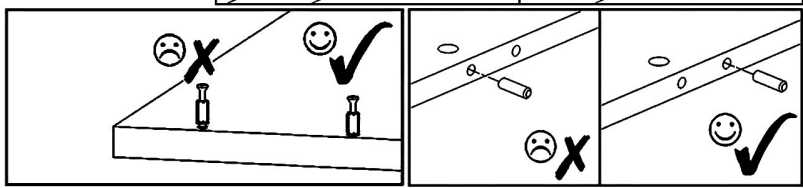
PACKING CODE



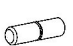



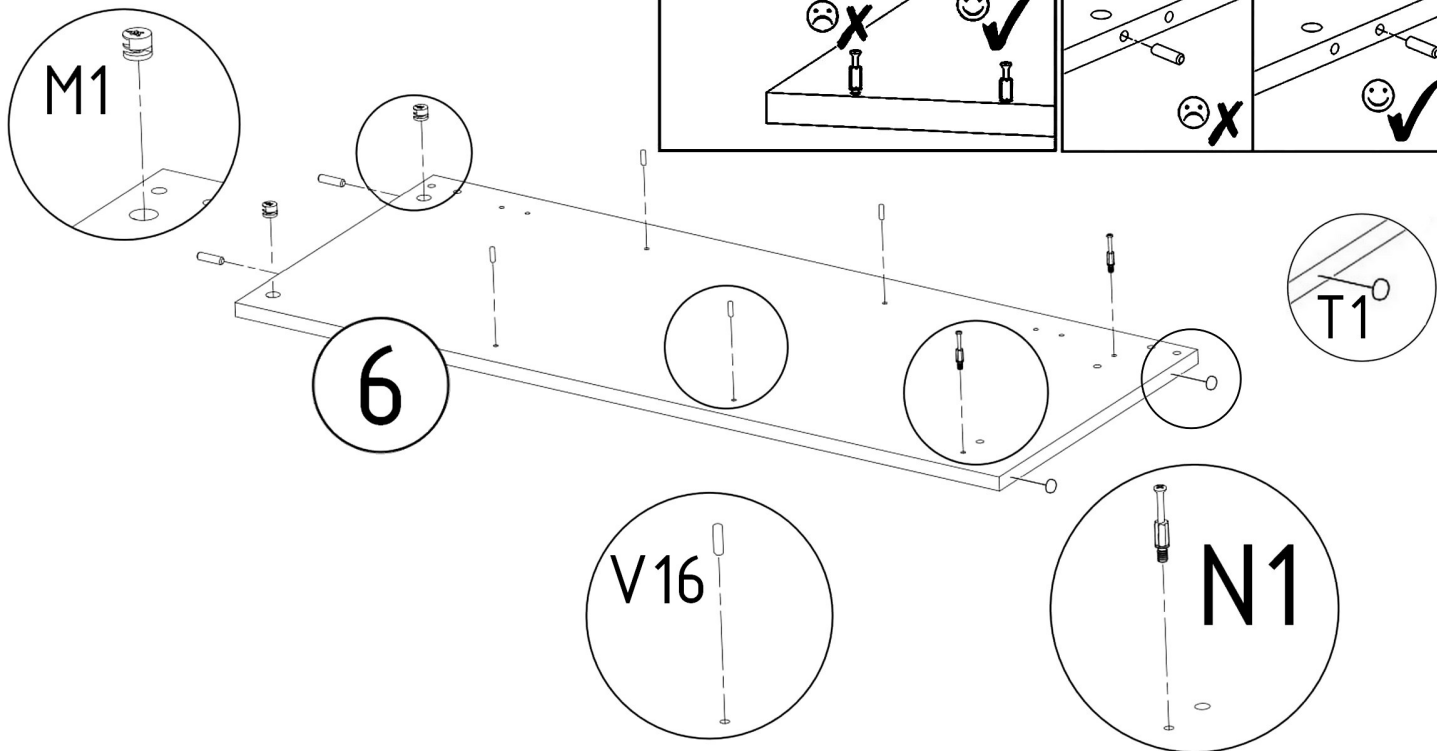
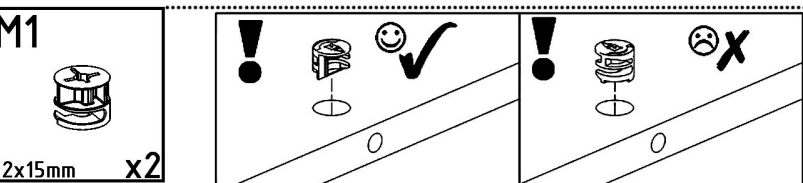
000050	15	1
000049	14	1
000040	13	2
000028	12	2
000046	11	2
000015	10	2
000054	9	4
000216	8	2
000153	7	1
000276	6	1
000143	5	1
000204	4	1
000041	3	4
000146	2	1
000275	1	1
ID	NUMBER	QUANTITY



<p>N1</p>  <p>L=35mm x2</p>	<p>M1</p>  <p>12x15mm x2</p>	<p>T1</p>  <p>x2</p>	<p>E1</p>  <p>8x30mm x2</p>
--	--	--	---







<p>R1</p>  <p>6x8mm x4</p>	<p>P3</p>  <p>L=350mm x2</p>
---	--

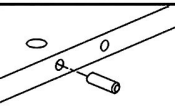

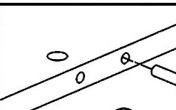



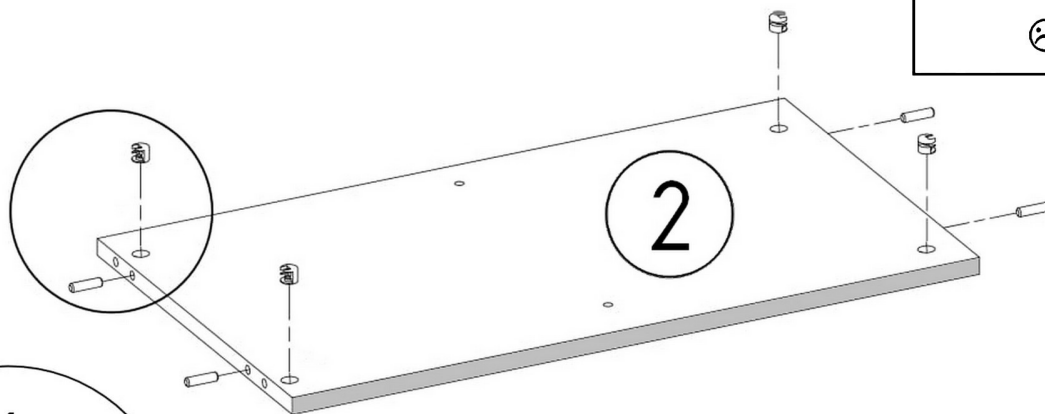
<p>N1</p>  <p>L=35mm x2</p>	<p>T1</p>  <p>x2</p>	<p>E1</p>  <p>8x30mm x2</p>	<p>V16</p>  <p>5x16mm x4</p>	<p>M1</p>  <p>12x15mm x2</p>
--	--	---	--	--





M1  12x15mm	E1  8x30mm
X4	X4

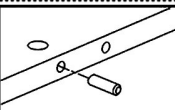

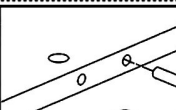

  	  
---	--

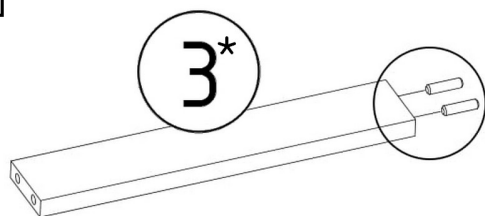
 	 
---	---



M1
E1

E1  8x30mm	V12 
X4	



 	 
---	---

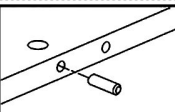

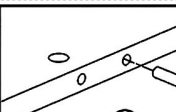



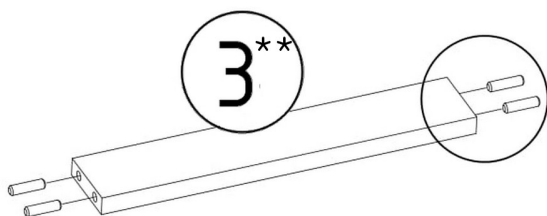
E1

x2



E1  8x30mm	V12 
X8	

 	 
---	---



E1

x2



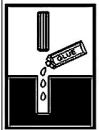
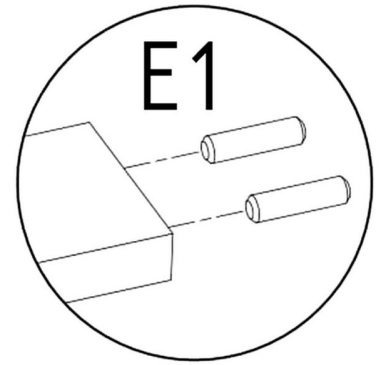
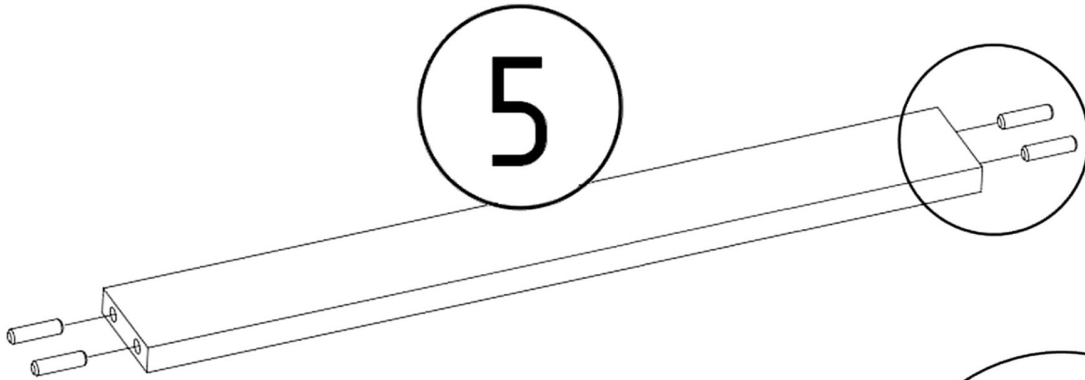
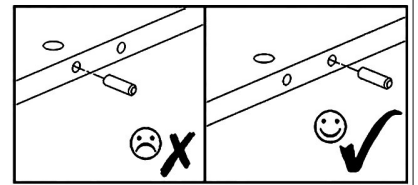
E1



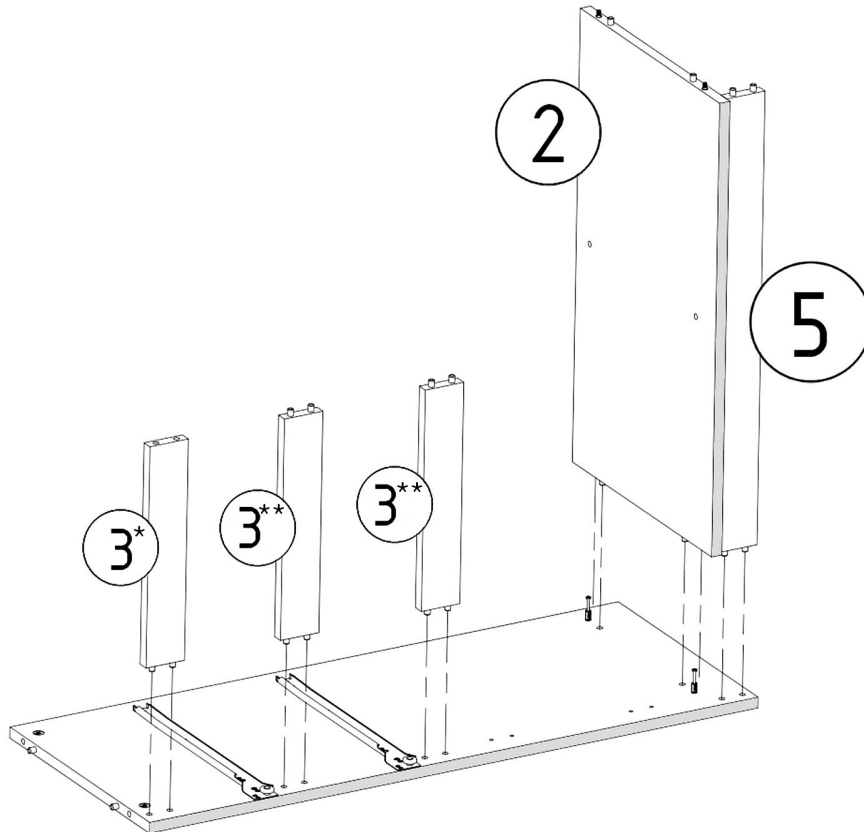
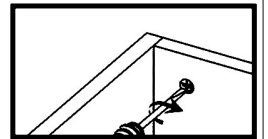
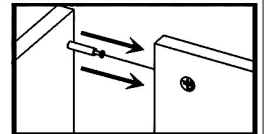
8x30mm





X4

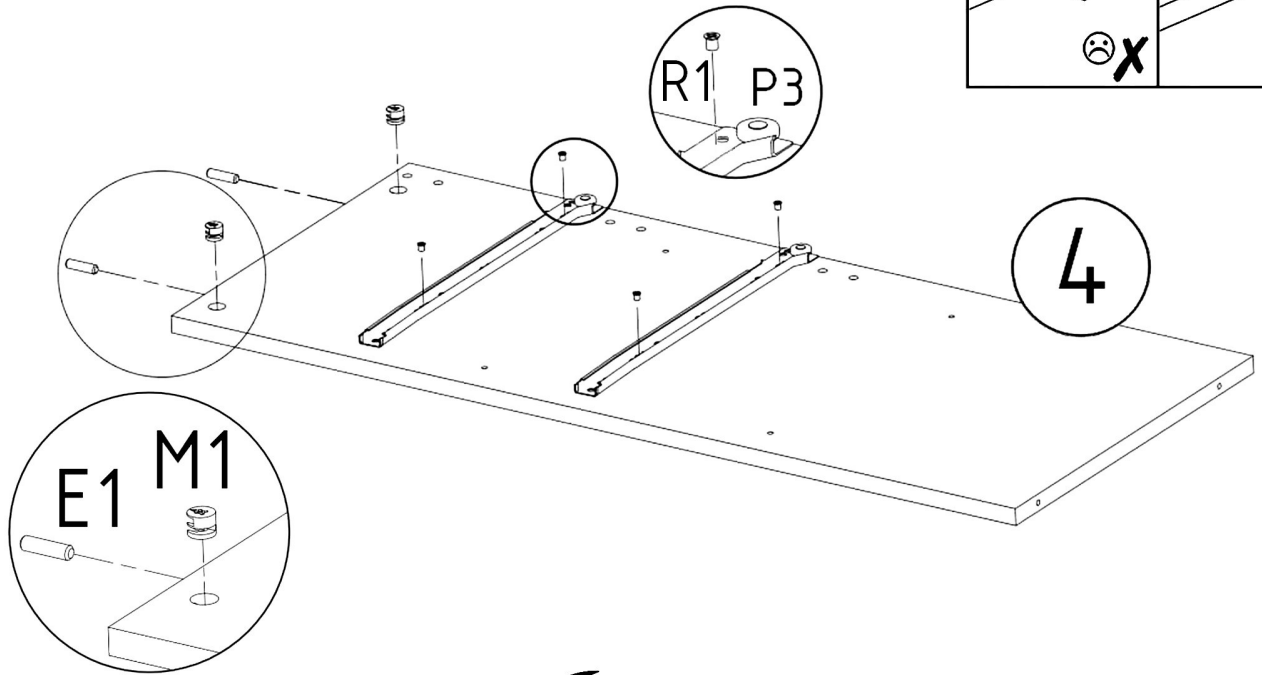
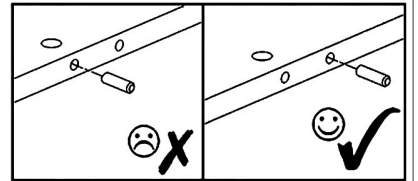
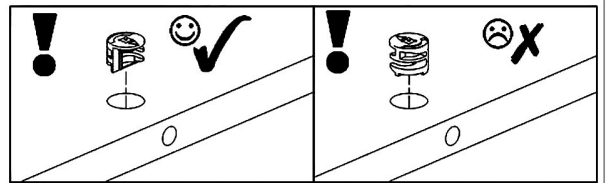
V12

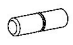


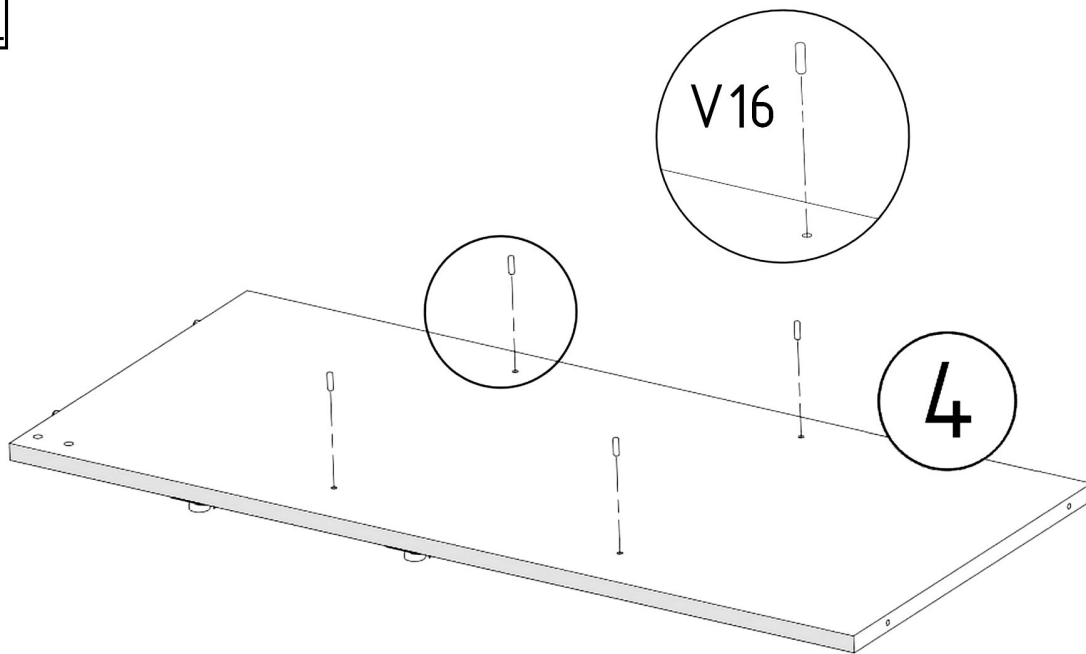
V12

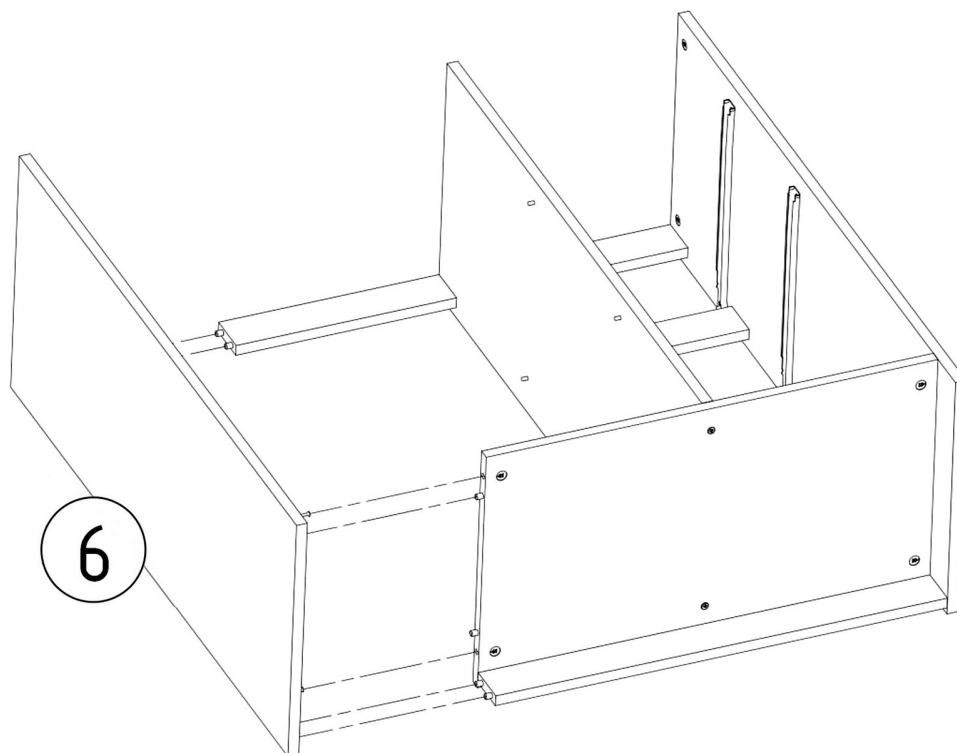
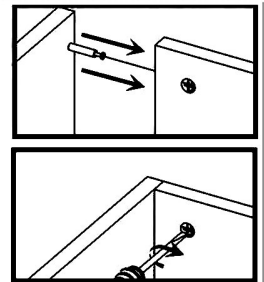
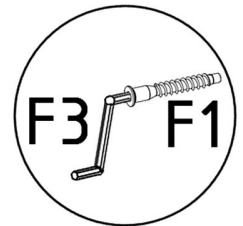
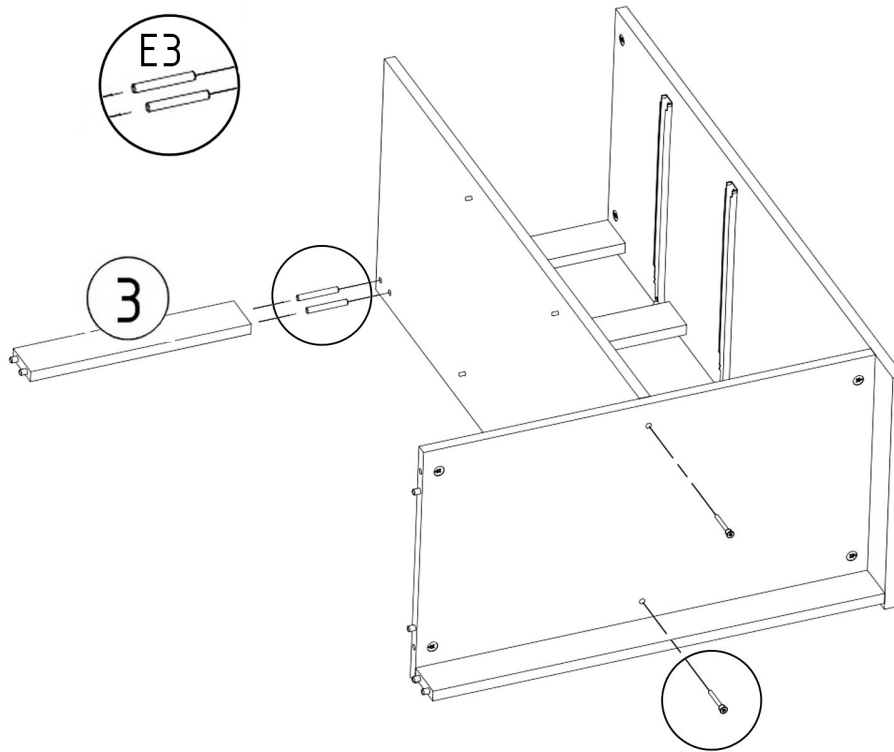
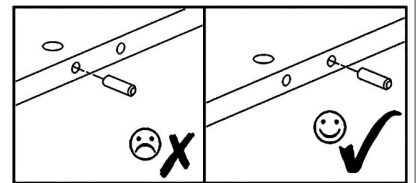
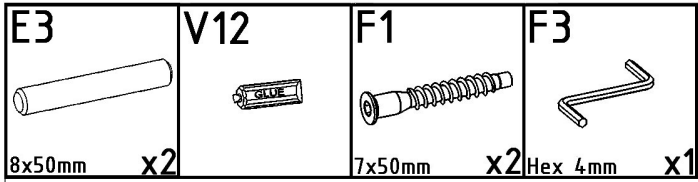


E1  8x30mm	M1  x2 12x15mm	P3  x2 L=350mm	R1  x2 6x8mm	x4
---	--	--	--	-----------



V16  5x16mm	x4
--	-----------

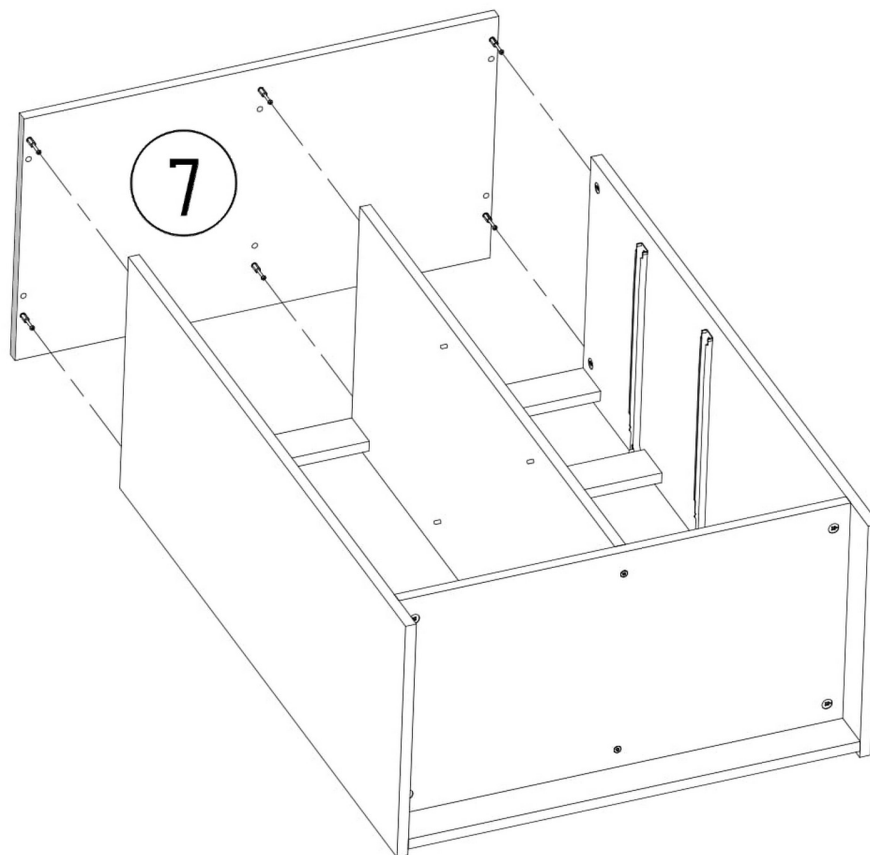
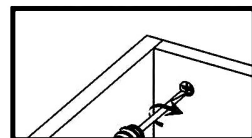
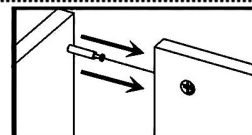
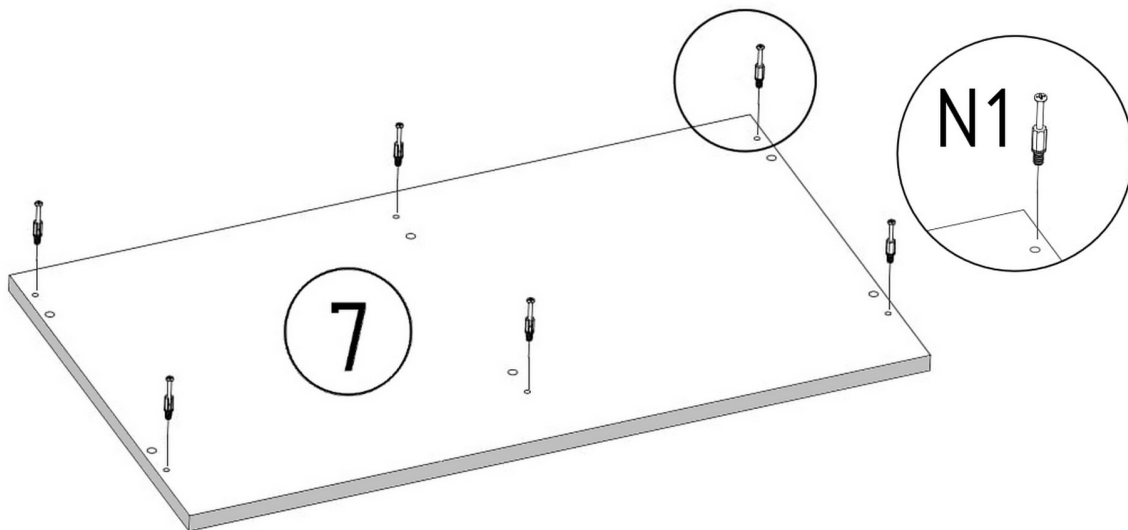
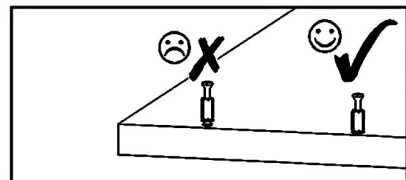


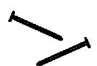




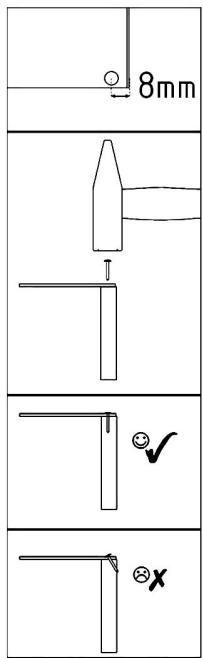
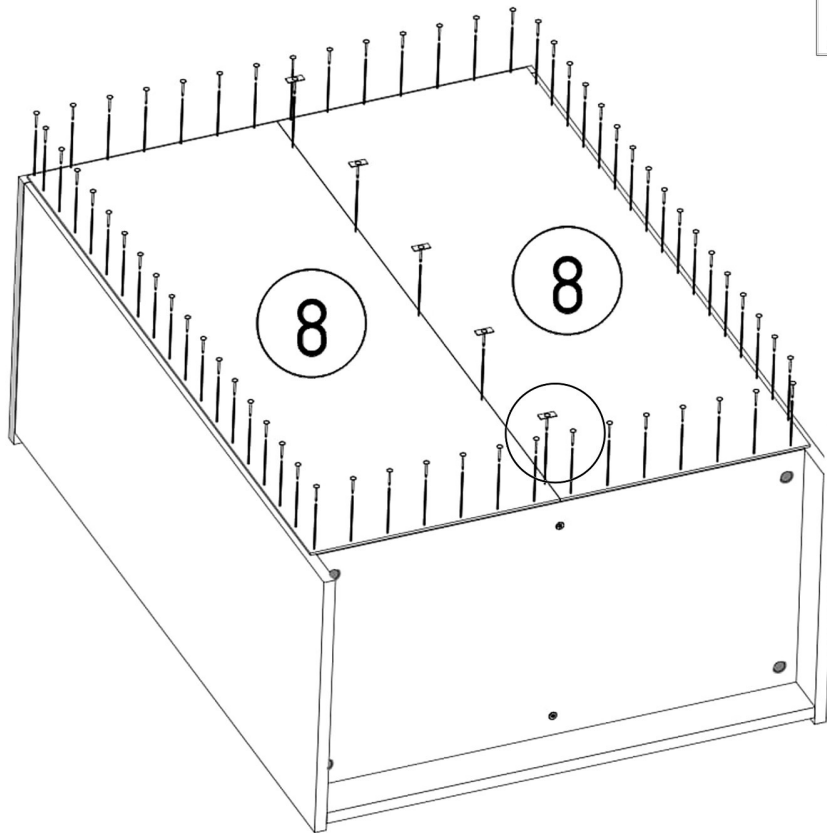
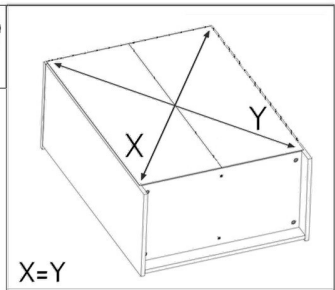
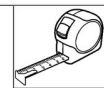
N1


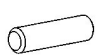



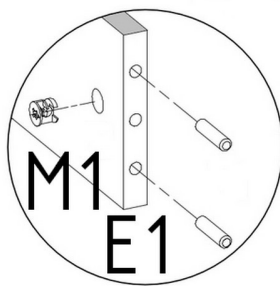
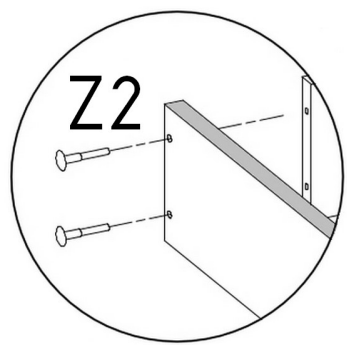
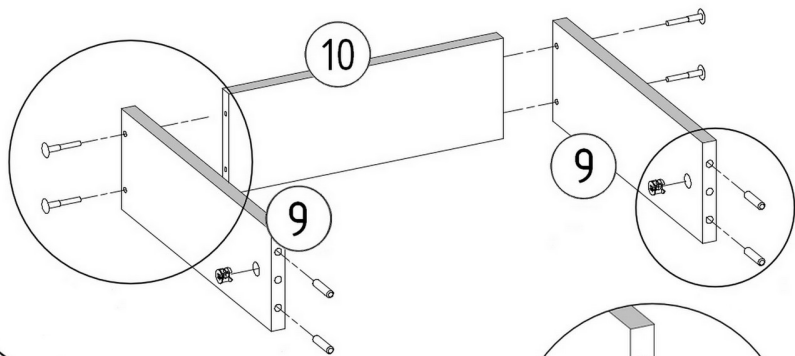
L=35mm x6



<p>Z1</p>  <p>x55</p>	<p>V15</p>  <p>x5</p>	<p>S6</p>  <p>2,5x20mm x5</p>
---	---	--




<p>M1</p>  <p>12x15mm x4</p>	<p>E1</p>  <p>8x30mm x8</p>	<p>Z2</p>  <p>x8</p>
---	---	--

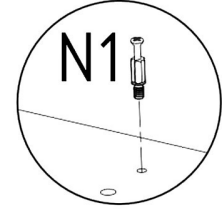
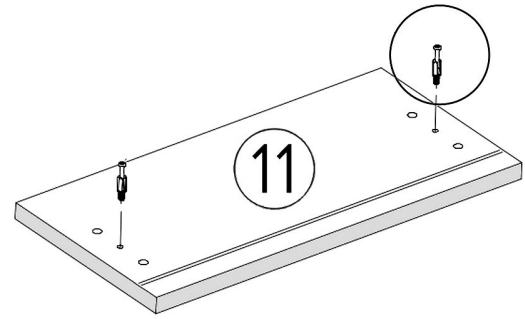
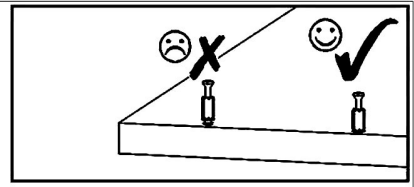


x2

N1




L=35mm **x6**

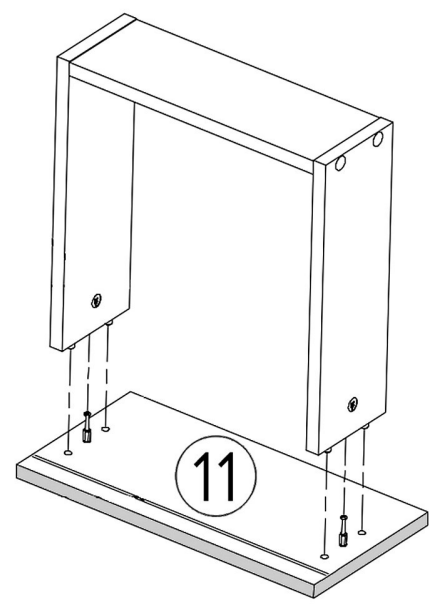
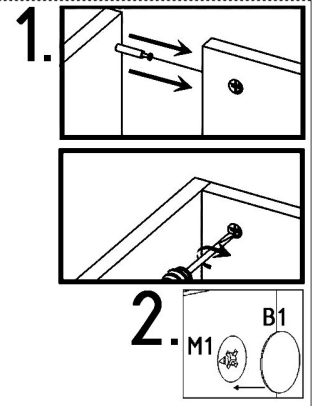


x2

B1

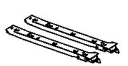


ø17/4mm **x4**




x2

P3



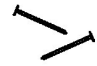
L=350mm **x4**

S1

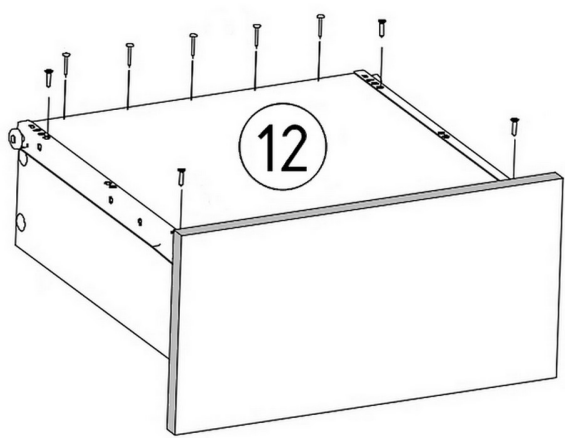
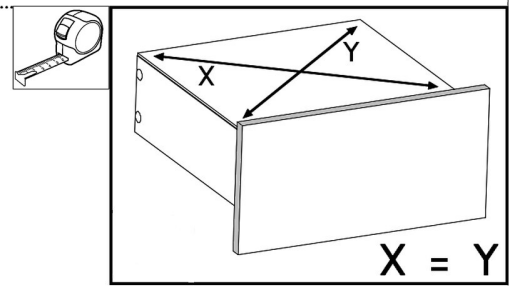


3,5x16mm **x10**



Z1

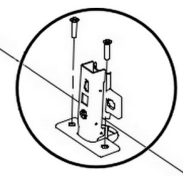
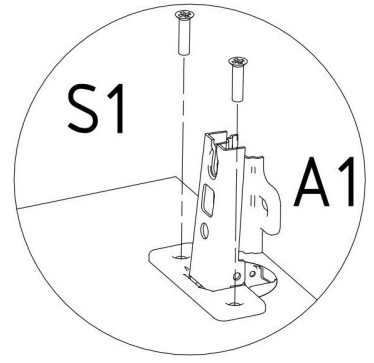
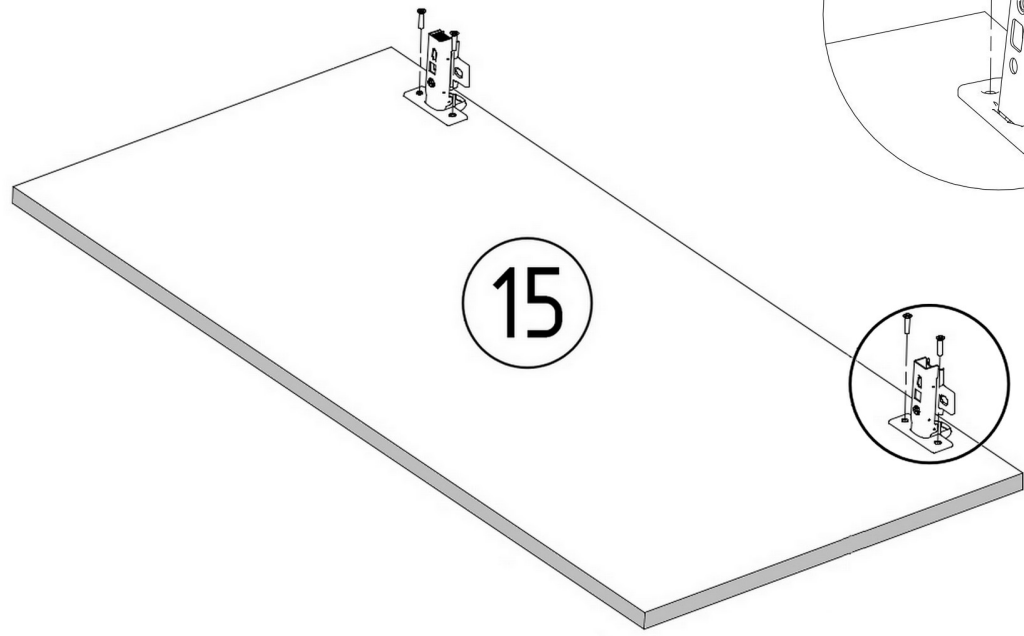




x8



x2

A1 	S1 
ZP	x2 3,5x16mm x4



A1 	S1 
ZP	x2 3,5x16mm x4

