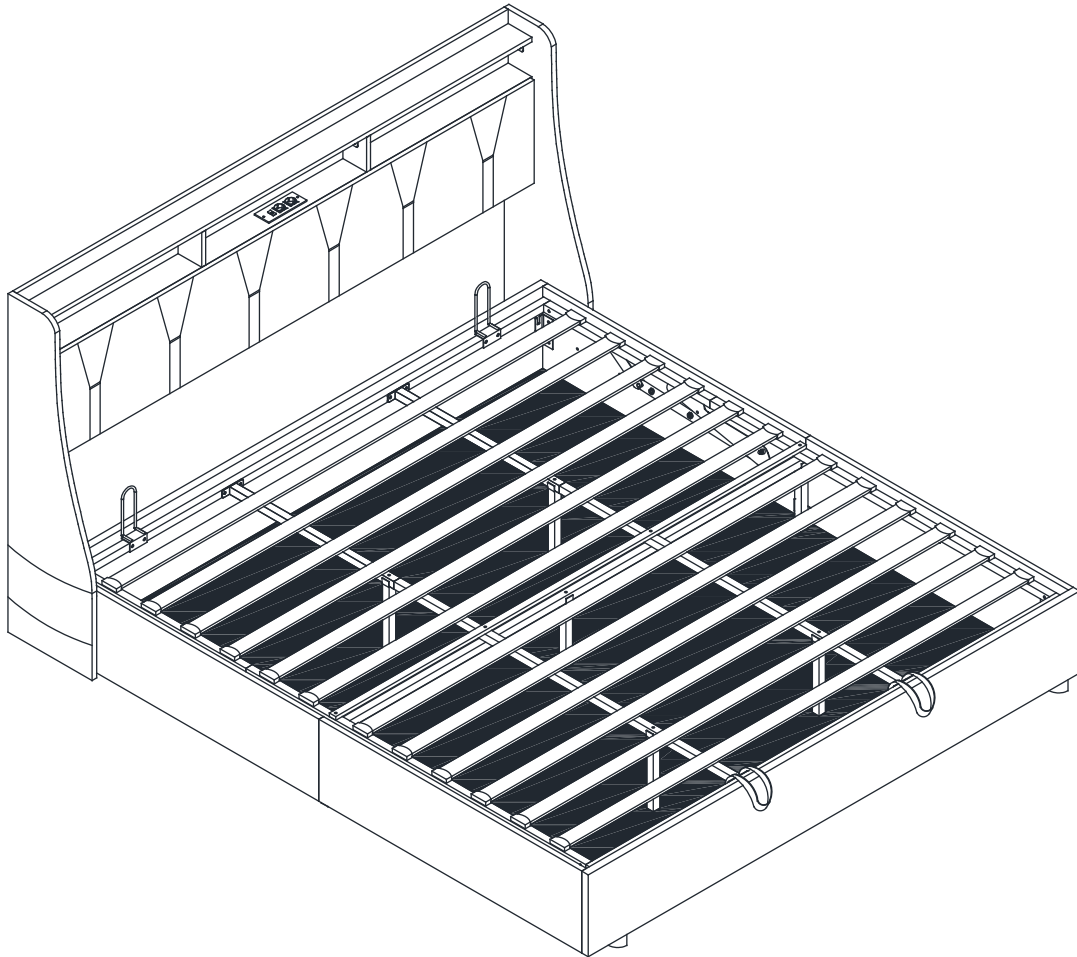


Installation sanleitung Installation Instruction Instruction d'installation

N623P386101 N623P386102 N623P386103



Unser Produkt wird Ihnen in 3 Paketen geliefert. Die Lieferzeiten dieser 3 Pakete können abweichen, bitte haben Sie etwas Geduld und vielen Dank für Ihr Verständnis.

Our product will be delivered to you in 3 packages. The delivery times of these 3 packages may differ, please be patient and thank you for your understanding.

Notre produit vous sera livré en 3 colis. Les délais de livraison de ces 3 colis peuvent différer, soyez patient et merci pour votre compréhension.



Points de collecte sur www.quefairedemesdechets.fr
Privilégiez la réparation ou le don de votre appareil.

English

IMPORTANT ! KEEP FOR FUTURE REFERENCE : READ CAREFULLY

- To be assembled by an adult. Assembly must be checked by an adult before use
 - WARNING ! Keep all screws, small parts and plastic bags out of the reach of children
 - Properly identify all parts before assembling
 - Never use your item if any of its parts are broken or missing
 - Should any problems arise, please contact our After Sales Service
 - Manufacturer's instructions shall be followed at all times
 - Care: Clean with a soft, dry cloth. In case of larger stains, carefully rub with a slightly damp, non-abrasive sponge
 - Avoid the risk of fire by not placing furniture near sources of ignition or hot items
- Do not jump on the bed

Deutsch

WICHTIG ! ZUM SPÄTEREN NACHSCHLAGEN AUFBEWAHREN: SORGFÄLTIG LESEN

- Muss von einem Erwachsenen zusammengebaut werden. Der Zusammenbau muss vor dem Gebrauch von einem Erwachsenen überprüft werden
 - WARNUNG! Bewahren Sie alle Schrauben, Kleinteile und Plastikbeutel außerhalb der Reichweite von Kindern auf
 - Kennzeichnen Sie vor dem Zusammenbau alle Teile richtig
 - Benutzen Sie Ihren Artikel niemals, wenn Teile gebrochen sind oder fehlen
 - Sollten Probleme auftreten, wenden Sie sich bitte an unseren Kundendienst
 - Die Anweisungen des Herstellers sind stets zu befolgen
 - Pflege: Mit einem weichen, trockenen Tuch reinigen. Bei größeren Flecken vorsichtig mit einem leicht feuchten, nicht scheuernden Schwamm abreiben. nicht scheuernden Schwamm
 - Vermeiden Sie die Gefahr eines Brandes, indem Sie die Möbel nicht in der Nähe von Zündquellen oder heißen Gegenständen aufstellen
- Nicht auf das Bett springen

Français

IMPORTANT ! CONSERVER POUR RÉFÉRENCE ULTÉRIEURE : LIRE ATTENTIVEMENT

- Le montage doit être effectué par un adulte. Le montage doit être vérifié par un adulte avant Utilisation
 - ATTENTION ! Tenir les vis, les petites pièces et les sachets en plastique hors de portée des enfants
 - Identifiez correctement toutes les pièces avant de les assembler
 - N'utilisez jamais votre article si l'une de ses pièces est cassée ou manquante
 - En cas de problème, veuillez contacter notre service après-vente
 - Les instructions du fabricant doivent être respectées à tout moment
 - Entretien : nettoyer avec un chiffon doux et sec. En cas de taches plus importantes, frotter soigneusement avec une éponge non abrasive légèrement humide. légèrement humide et non Abrasive
 - Évitez les risques d'incendie en ne plaçant pas les meubles à proximité de sources d'inflammation ou d'objets chauds
- Ne pas sauter sur le lit

Italiano

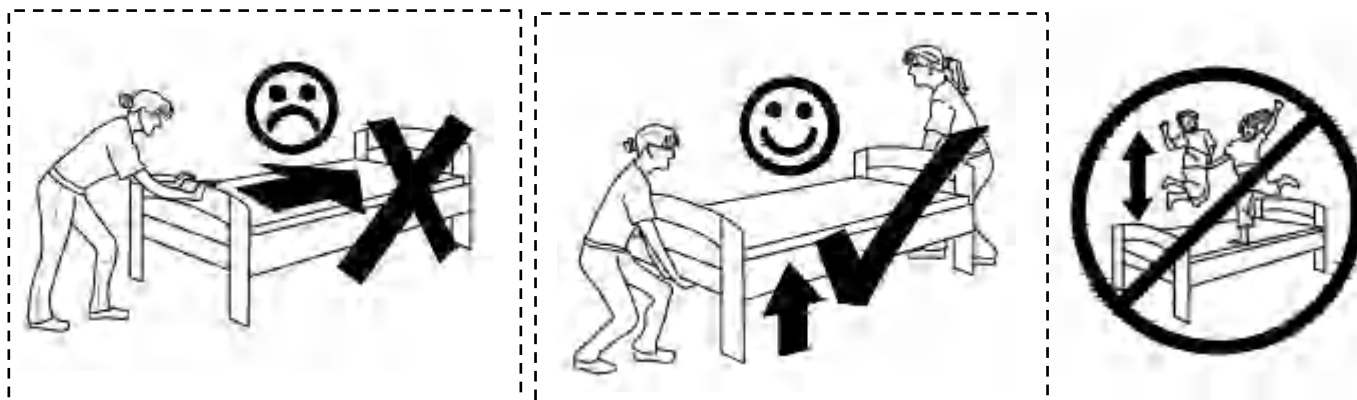
IMPORTANTE! CONSERVARE PER RIFERIMENTO FUTURO: LEGGERE ATTENTAMENTE

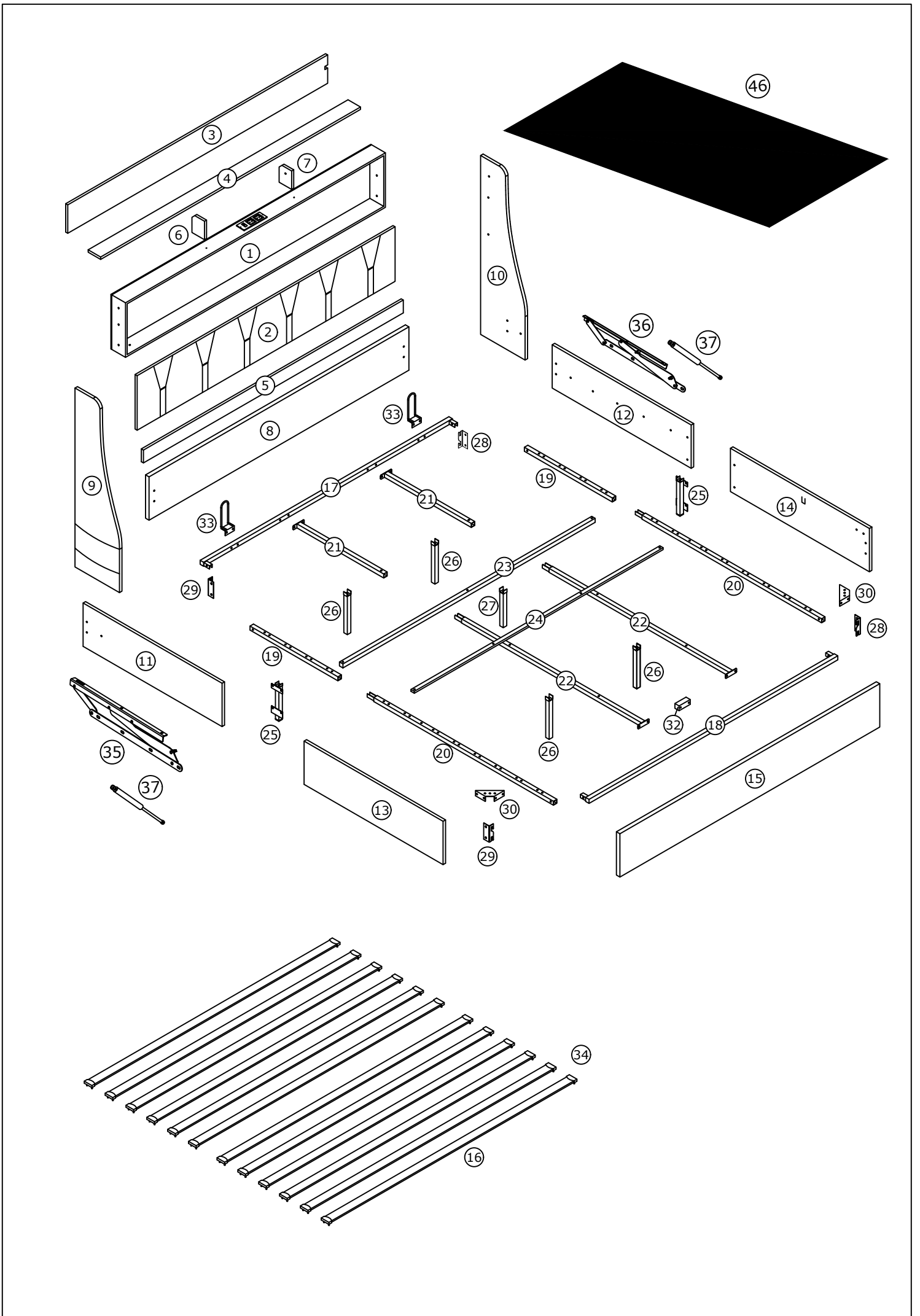
- Deve essere assemblato da un adulto. L'assemblaggio deve essere controllato da un adulto prima dell'uso
- **ATTENZIONE!** Tenere tutte le viti, le piccole parti e i sacchetti di plastica fuori dalla portata dei bambini
- Identificare correttamente tutte le parti prima dell'assemblaggio
- Non utilizzare mai l'articolo se alcune parti sono rotte o mancanti
- In caso di problemi, si prega di contattare il nostro Servizio Post Vendita
- Le istruzioni del produttore devono essere sempre seguite
- Cura: Pulire con un panno morbido e asciutto. In caso di macchie più estese, strofinare accuratamente con una spugna leggermente umida e nonspugna leggermente umida e non abrasiva
- Evitare il rischio di incendio, non collocando i mobili vicino a fonti di accensione o a oggetti caldi
- Non saltare sul letto

Español

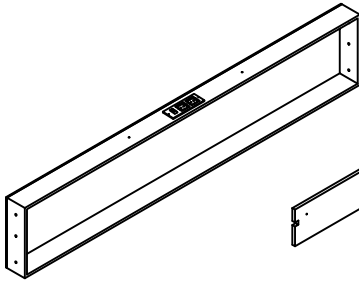
¡ IMPORTANTE ! CONSERVELO PARA FUTURAS CONSULTAS: LEA ATENTAMENTE

- Debe ser montado por un adulto. El montaje debe ser comprobado por un adulto antes del uso
- ADVERTENCIA** Mantenga todos los tornillos, piezas pequeñas y bolsas de plástico fuera del alcance de los niños.
- Identifique correctamente todas las piezas antes de montarlas
 - Nunca utilice su artículo si alguna de sus piezas está rota o falta
 - Si surge algún problema, póngase en contacto con nuestro Servicio Postventa
 - Las instrucciones del fabricante deben seguirse en todo momento
 - Cuidado: Limpiar con un paño suave y seco. En caso de manchas más grandes, frote cuidadosamente con una esponja no abrasiva ligeramente humedecida.
 - Evite el riesgo de incendio no colocando los muebles cerca de fuentes de ignición u objetos calientes.
 - No saltar sobre la cama.

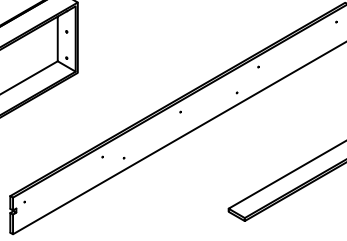




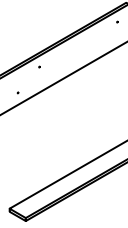
N623P386101



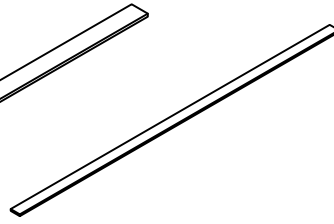
1. x1



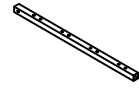
3. x1



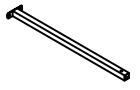
4. x1



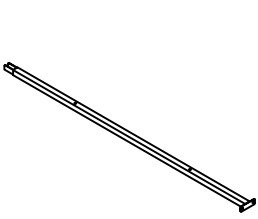
16.x12



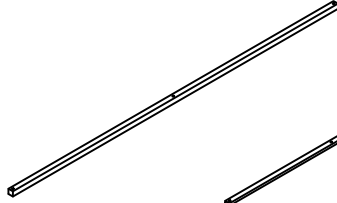
19.x2



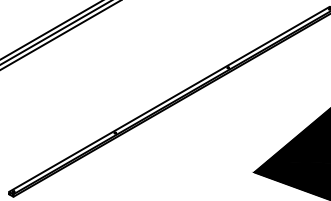
21.x2



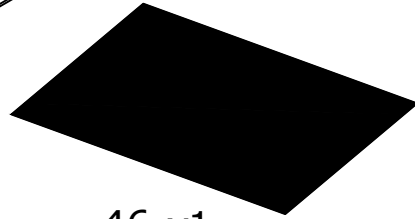
22.x2



23.x1

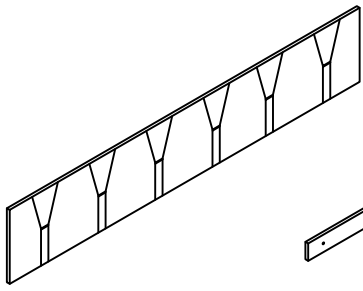


24.x1

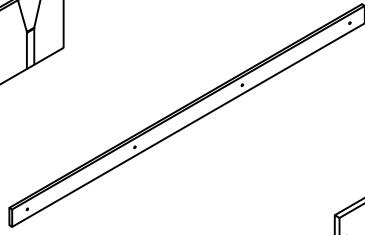


46.x1

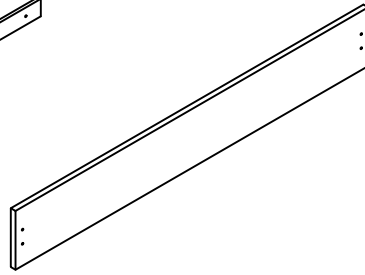
N623P386102



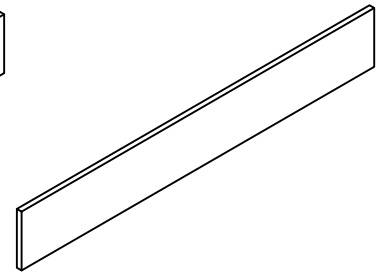
2. x1



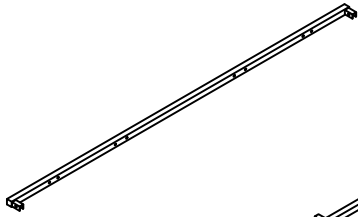
5. x1



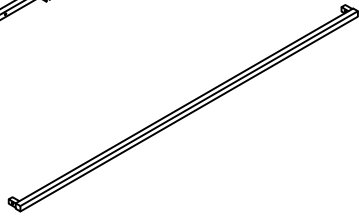
8. x1



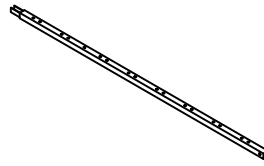
15.x1



17.x1



18.x1



20.x2

N623P386103



6. x1



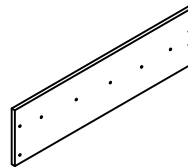
7. x1



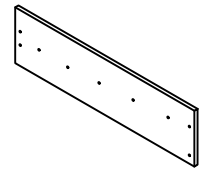
9. x1



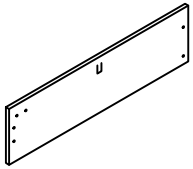
10.x1



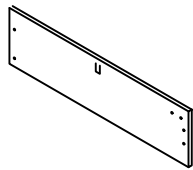
11.x1



12.x1



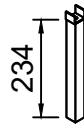
13.x1



14.x1



25.x2



26.x4



27.x1



28.x2



29.x2



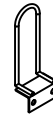
30.x2



31.x2



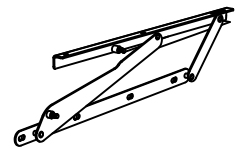
32.x1



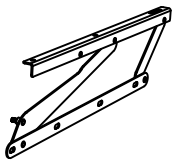
33.x2



34.x24



35.x1



36.x1



37.x2



38.x2



39.x1



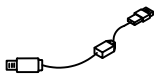
40.x1



41.x2



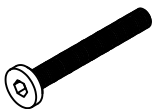
42.x8



43.x1



45.x1



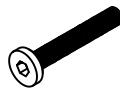
M8*45

A. x6



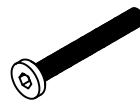
M8*18

B. x62



M8*35

C. x29



M8*40

D. x6



M8

E. x14



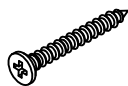
M8

F. x1



M8

G. x1





M4*30

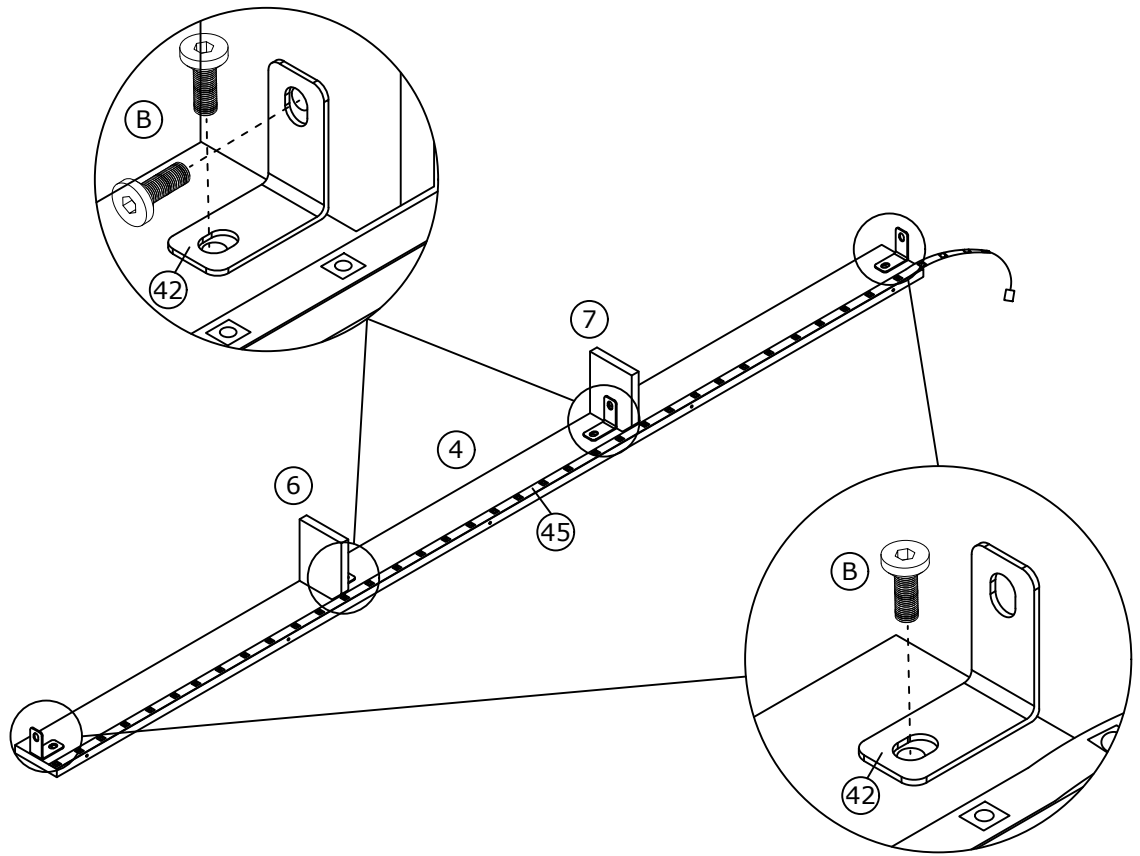
H. x13





I. x8

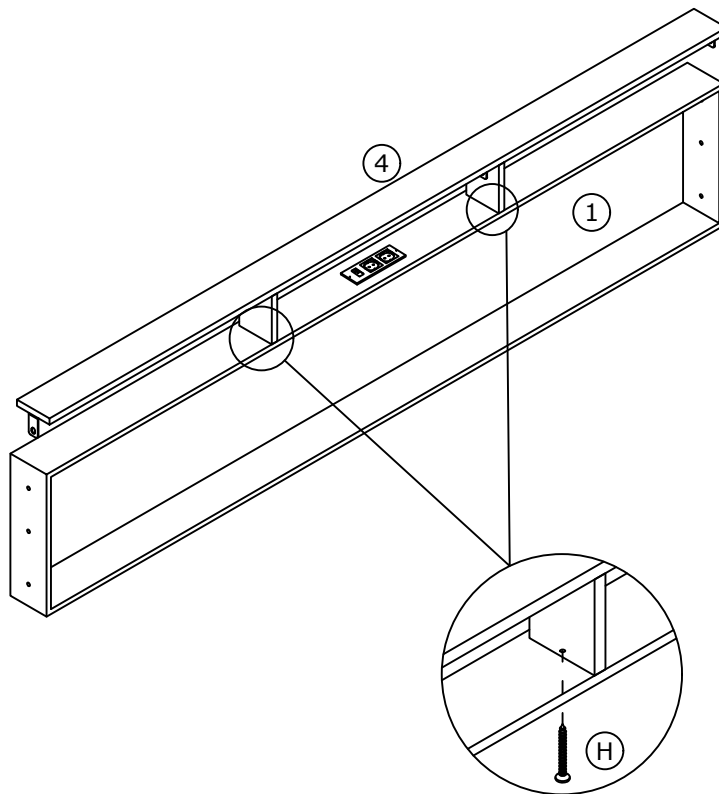
01

- | | | | | | |
|---|--|---|---|---|---|
| B |  M8*18 | 6 | G |  M8 | 1 |
|---|--|---|---|---|---|






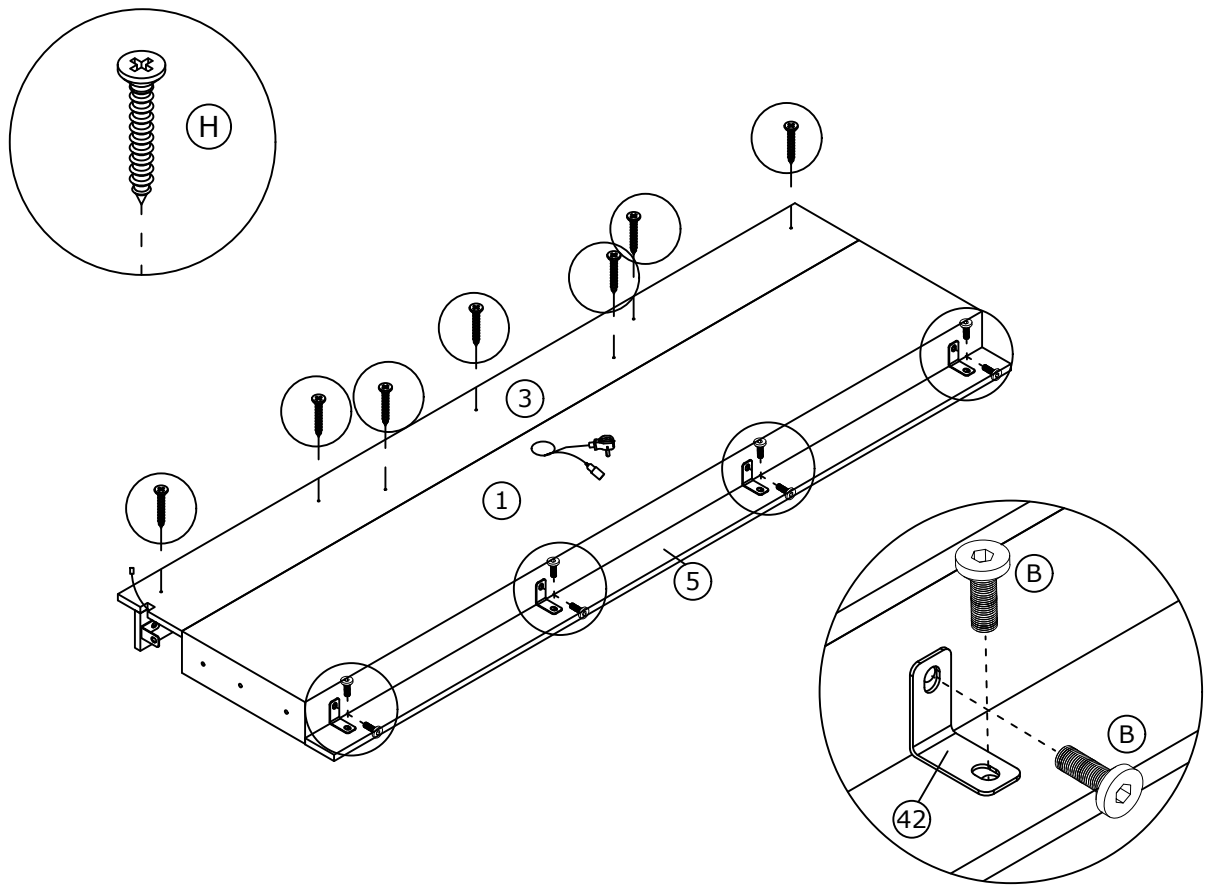
02

- | | | | | | |
|---|---|---|---|--|---|
| H |  M4*30 | 2 | G |  M8 | 1 |
|---|---|---|---|--|---|


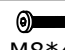



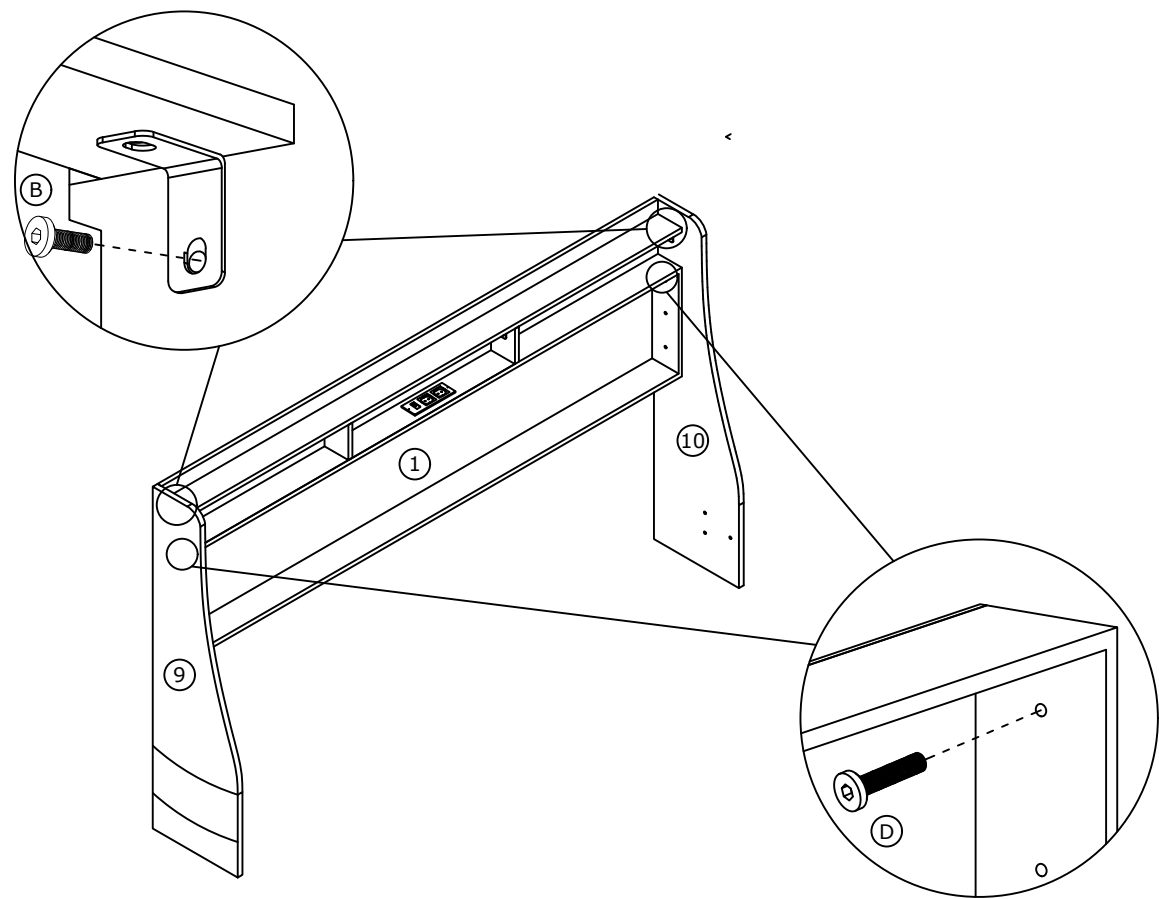
03

- | | | | | | | | | |
|---|--|---|---|--|---|---|---|---|
| B |  M8*18 | 8 | H |  M4*30 | 7 | G |  M8 | 1 |
|---|--|---|---|--|---|---|---|---|



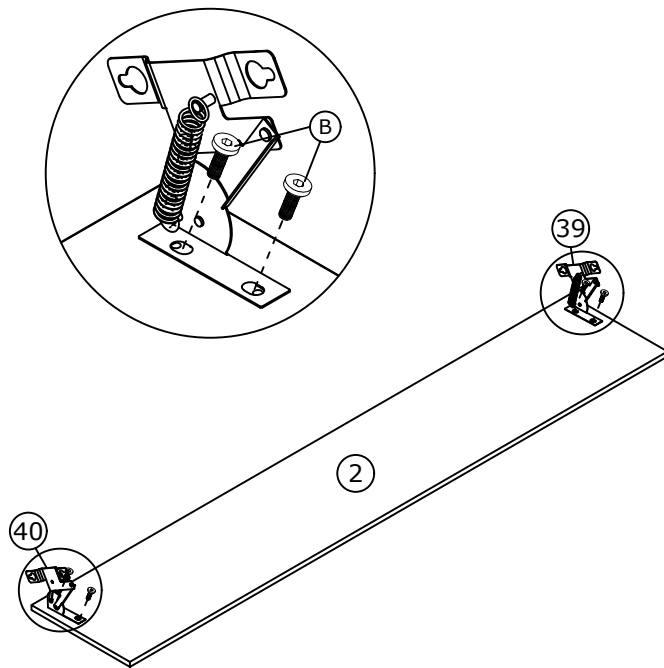
04

- | | | | | | | | | |
|---|---|---|---|---|---|---|--|---|
| B |  M8*18 | 2 | D |  M8*40 | 2 | G |  M8 | 1 |
|---|---|---|---|---|---|---|--|---|






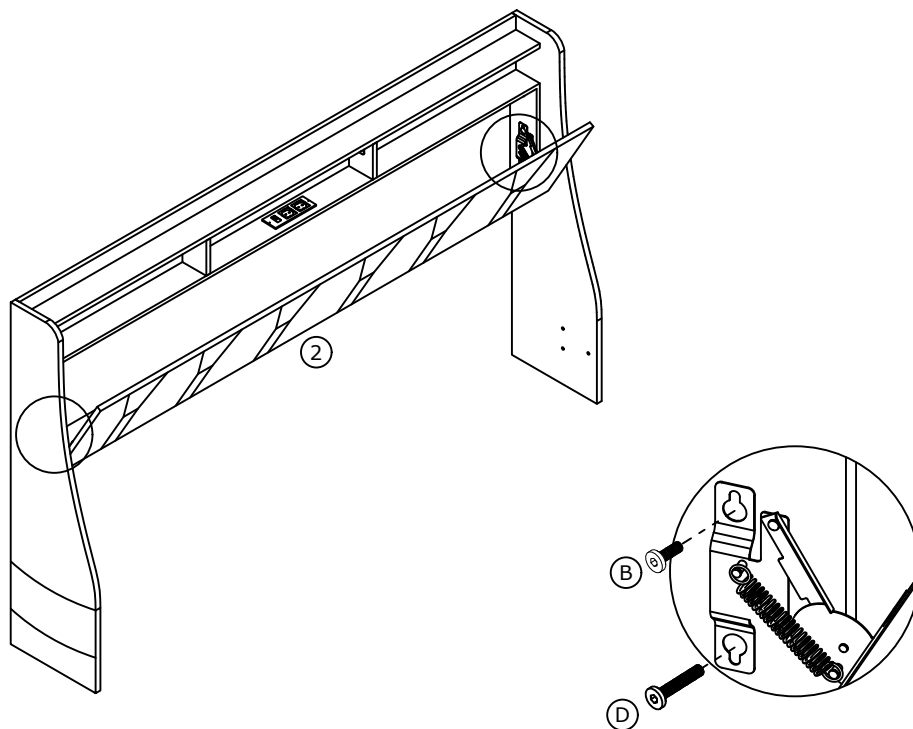
05

- | | | | | | |
|---|--|---|---|---|---|
| B |  M8*18 | 4 | G |  M8 | 1 |
|---|--|---|---|---|---|


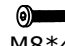



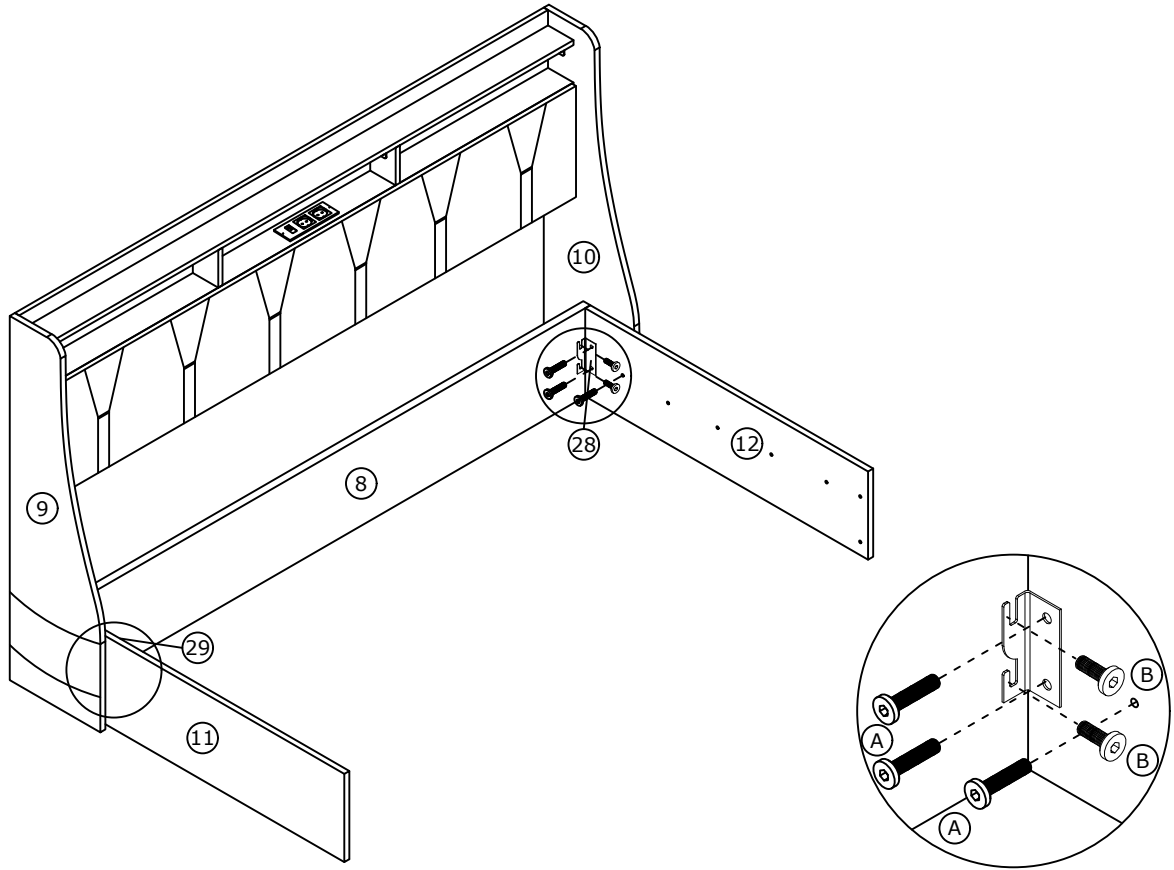
06

- | | | | | | | | | |
|---|---|---|---|---|---|---|--|---|
| B |  M8*18 | 2 | D |  M8*40 | 2 | G |  M8 | 1 |
|---|---|---|---|---|---|---|--|---|



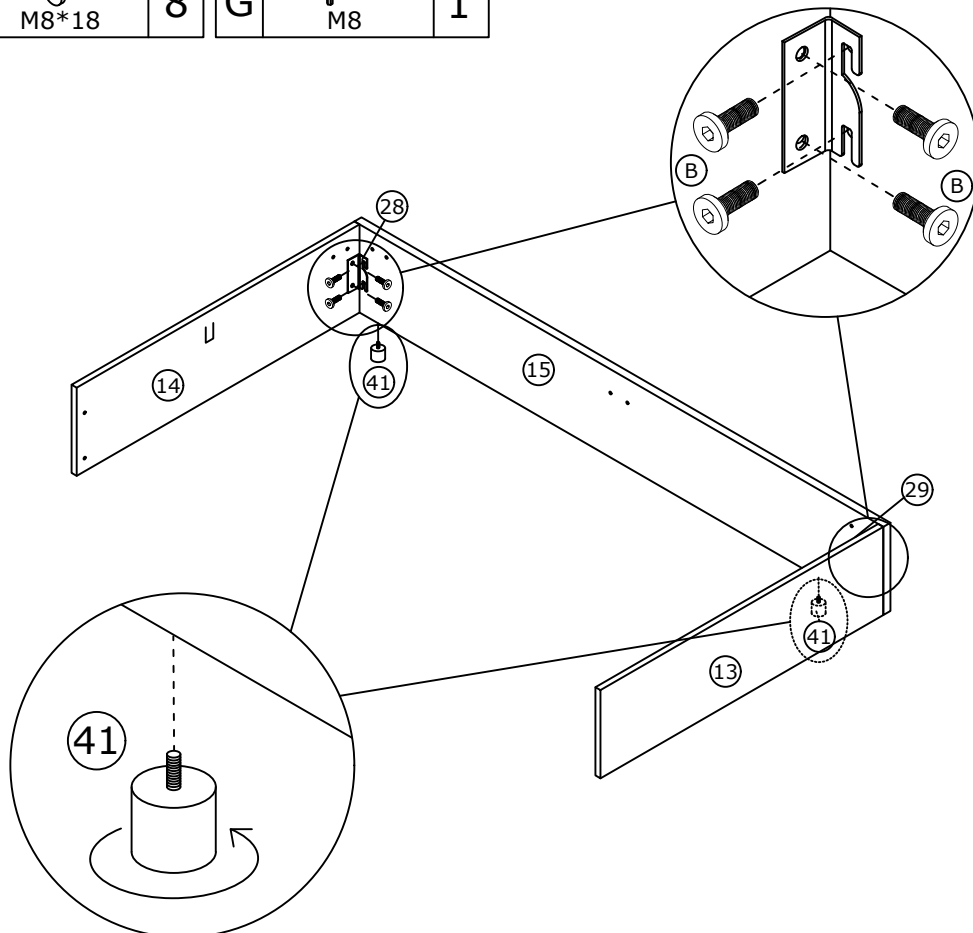
07

- | | | | | | | | | |
|---|--|---|---|--|---|---|---|---|
| B |  M8*18 | 4 | A |  M8*45 | 6 | G |  M8 | 1 |
|---|--|---|---|--|---|---|---|---|



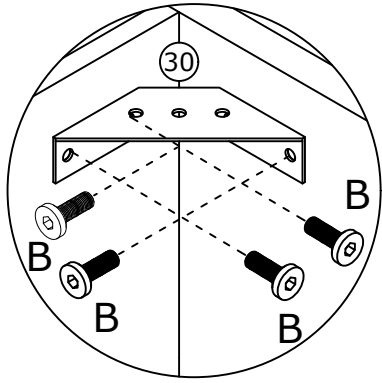
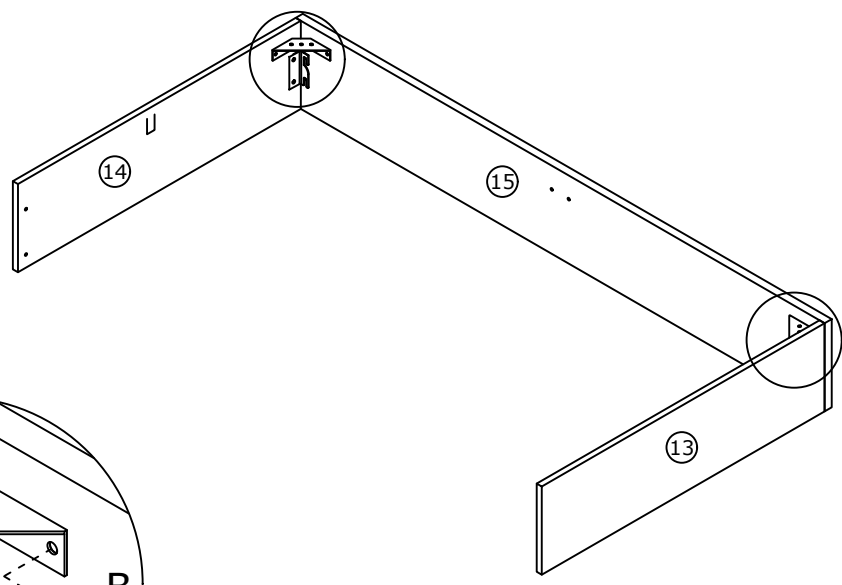
08

- | | | | | | |
|---|---|---|---|--|---|
| B |  M8*18 | 8 | G |  M8 | 1 |
|---|---|---|---|--|---|





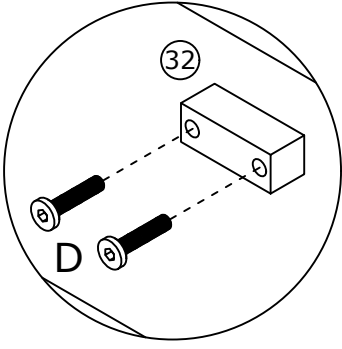
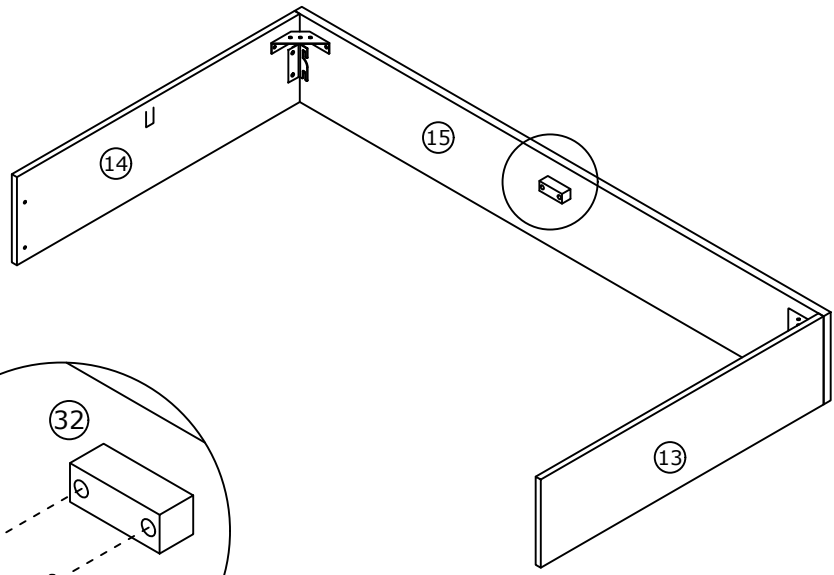
09

- | | | | | | |
|---|--|---|---|---|---|
| B |  M8*18 | 8 | G |  M8 | 1 |
|---|--|---|---|---|---|



10

- | | | | | | |
|---|---|---|---|--|---|
| D |  M8*40 | 2 | G |  M8 | 1 |
|---|---|---|---|--|---|



11

H

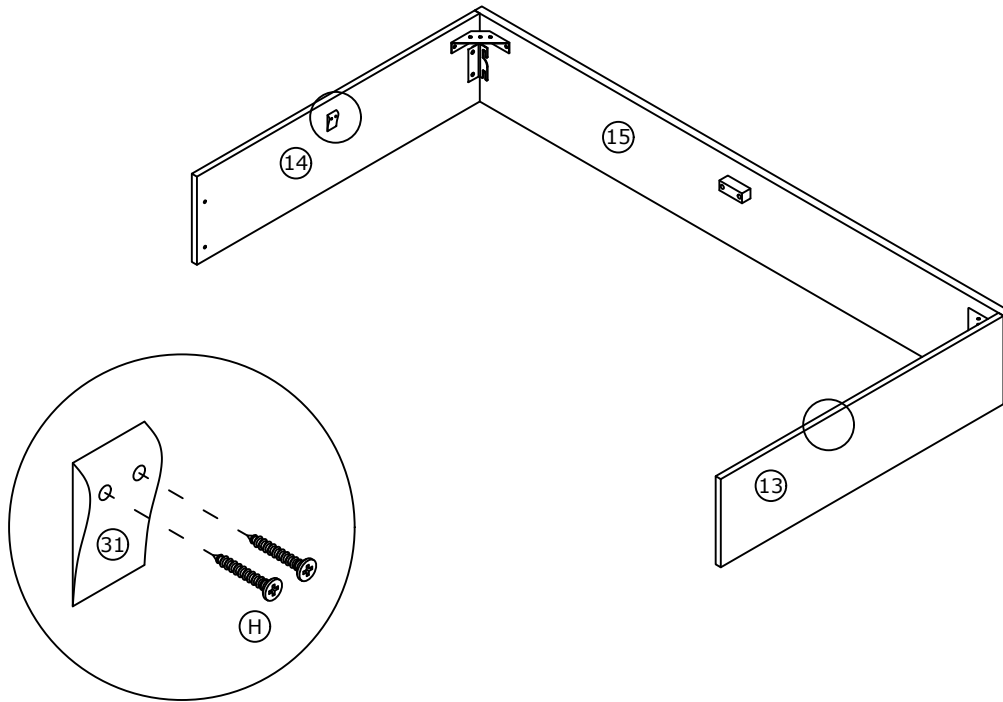
M4*30

4

G

M8

1



12

B

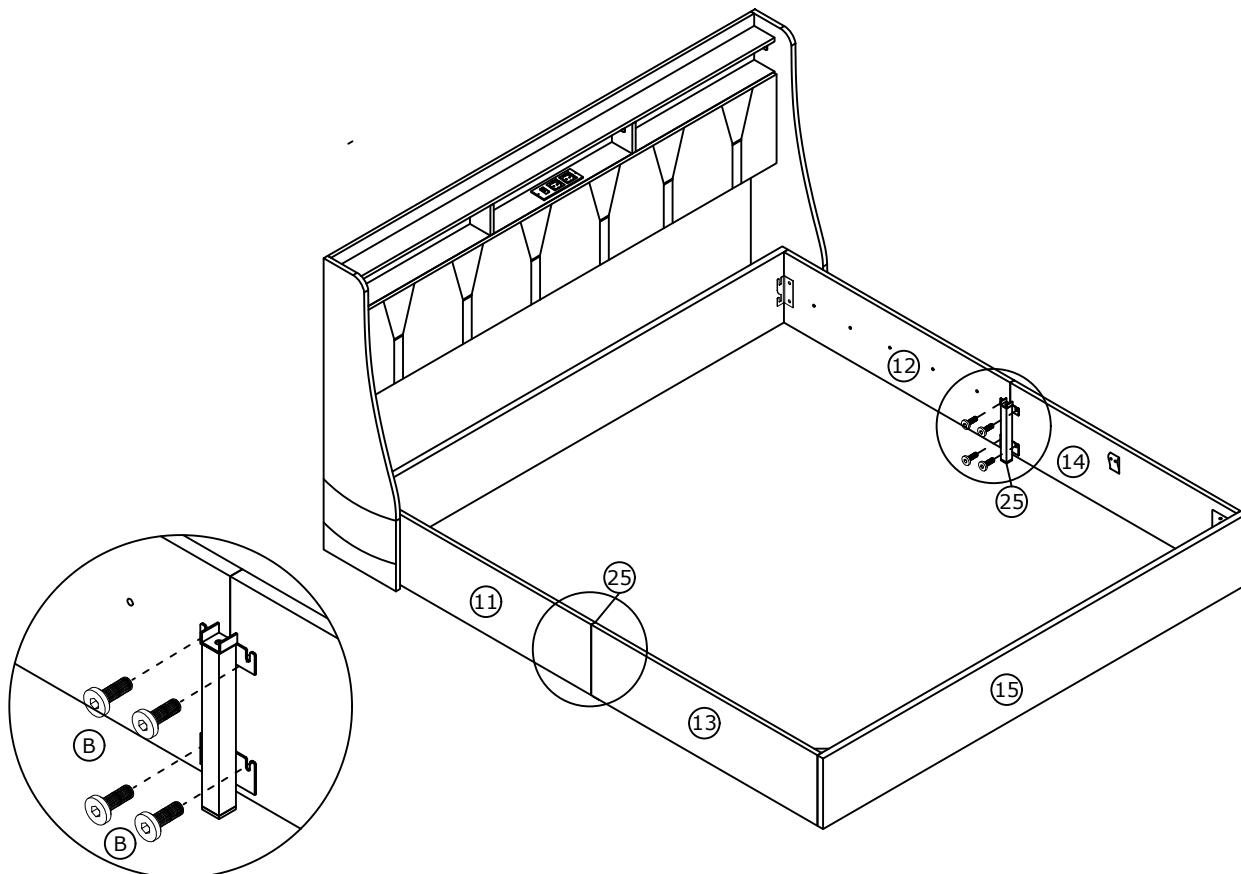
M8*18

8



G

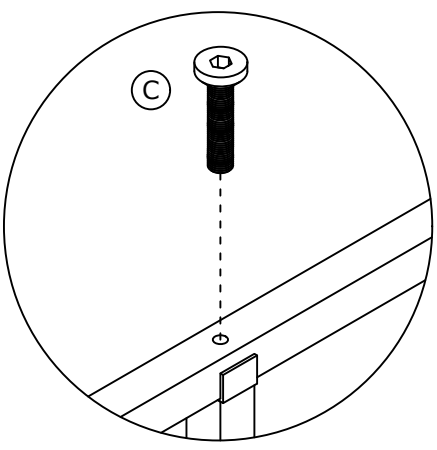
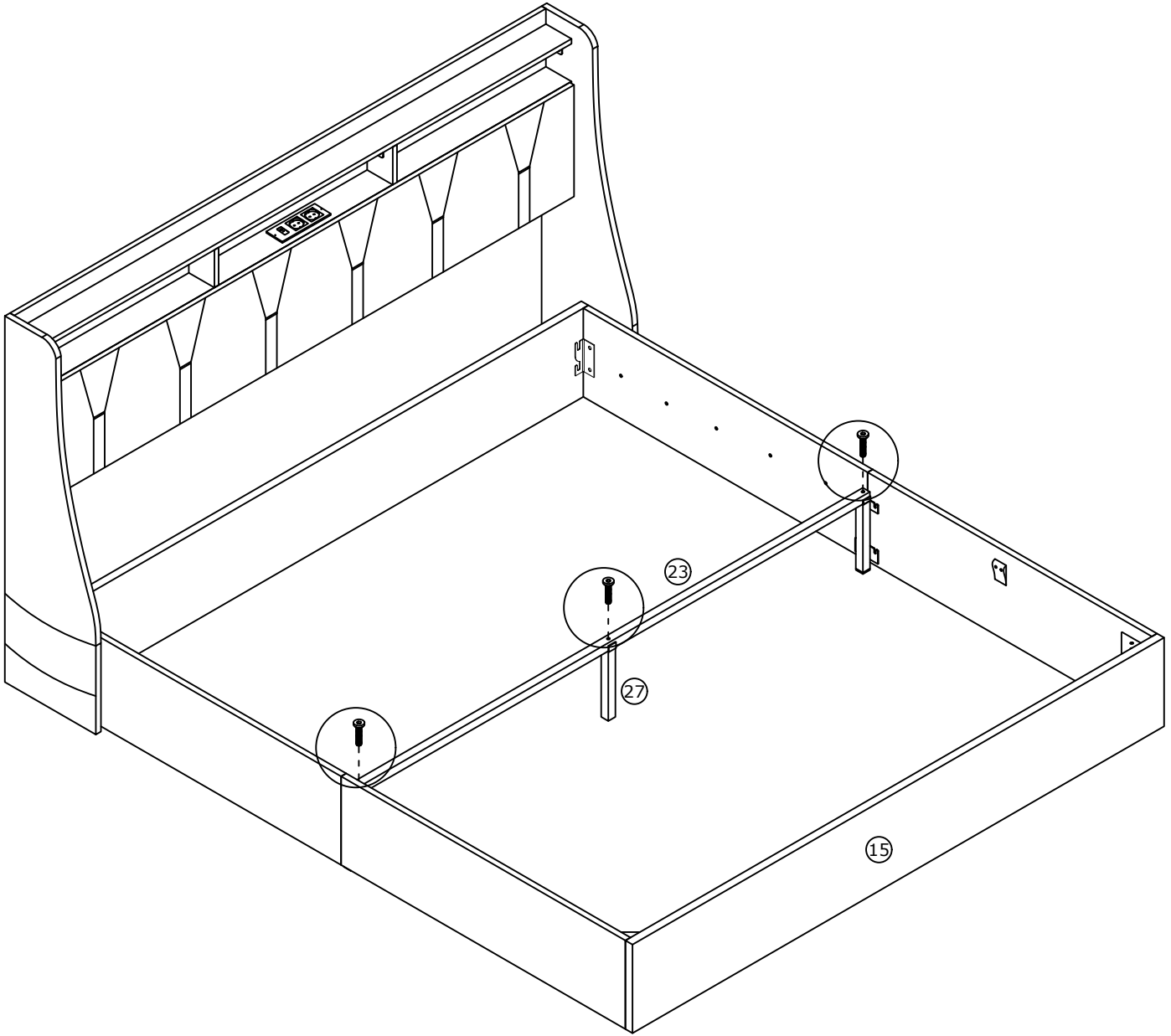
M8

1

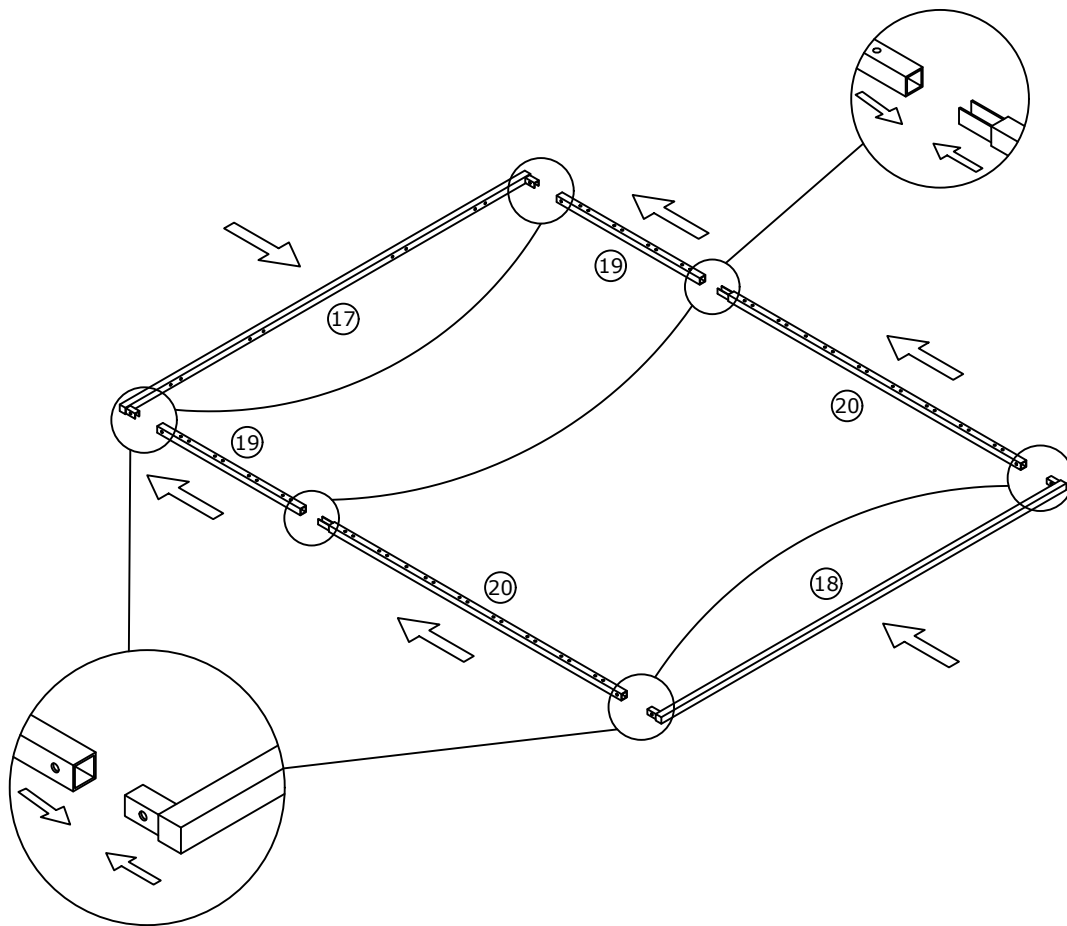


13

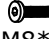



- | | | | | | |
|---|---|---|---|--|---|
| C | 
M8*35 | 3 | G | 
M8 | 1 |
|---|---|---|---|--|---|

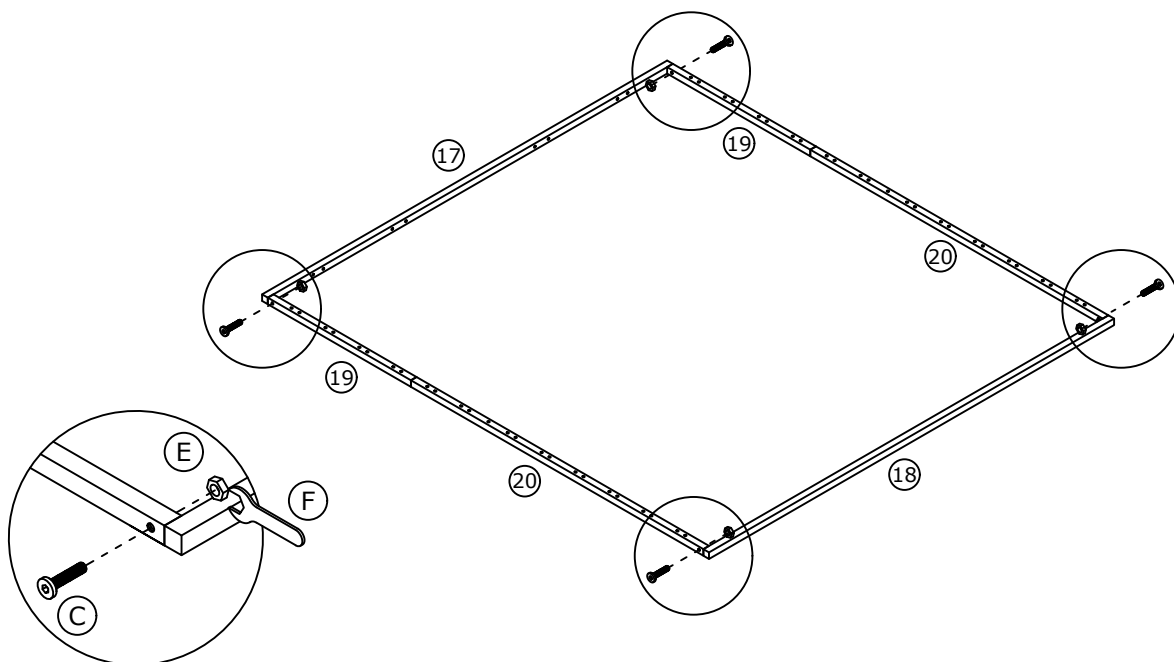


14






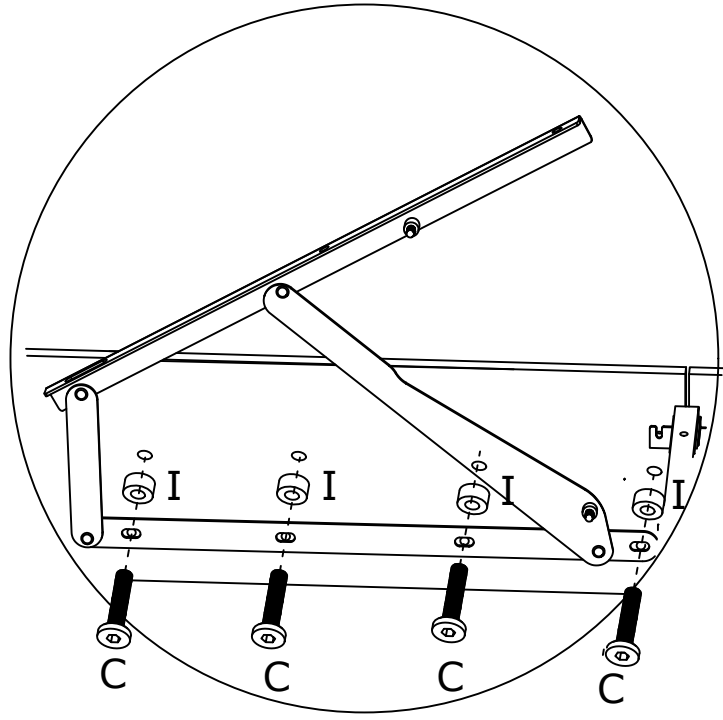
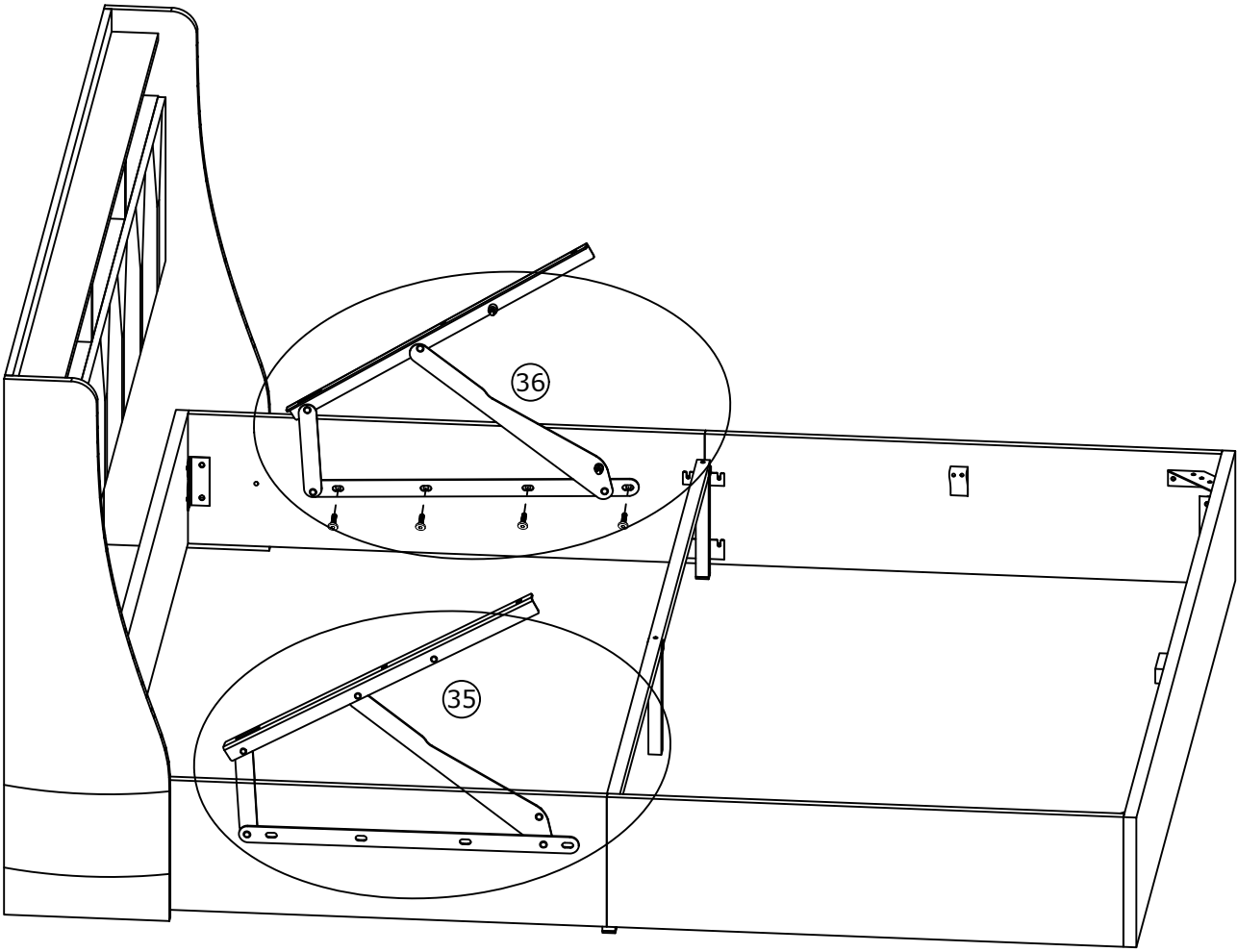
15

C	 M8*35	4	G	 M8	1	E	 M8	4	F	 M8	1
---	--	---	---	---	---	---	---	---	---	---	---







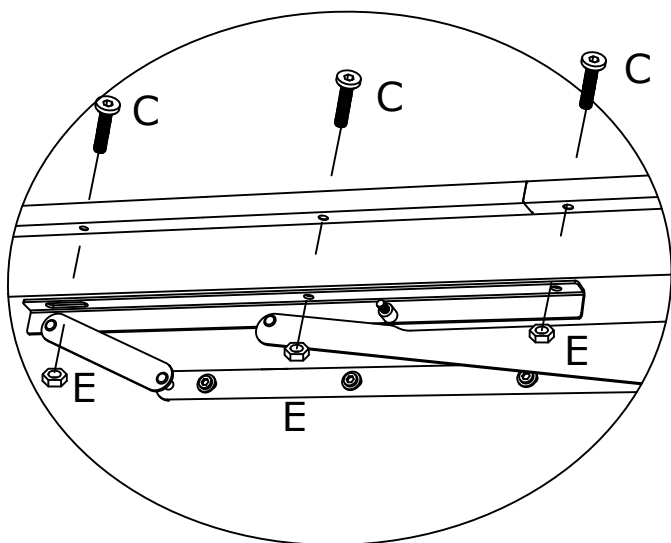
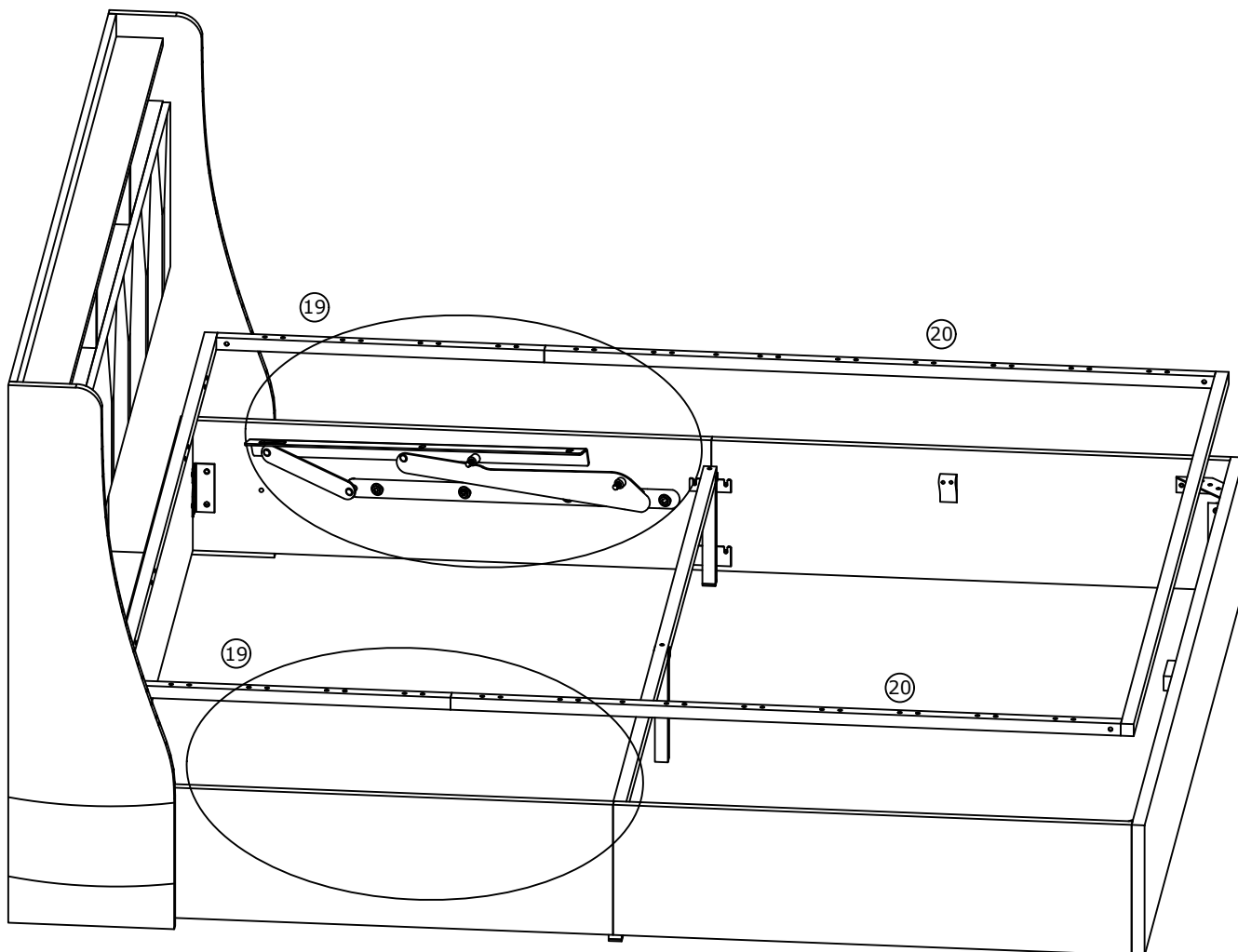
16

- | | | | | | | | | |
|---|---|---|---|--|---|---|--|---|
| C | 
M8*35 | 8 | G | 
M8 | 1 | I |  | 8 |
|---|---|---|---|--|---|---|--|---|



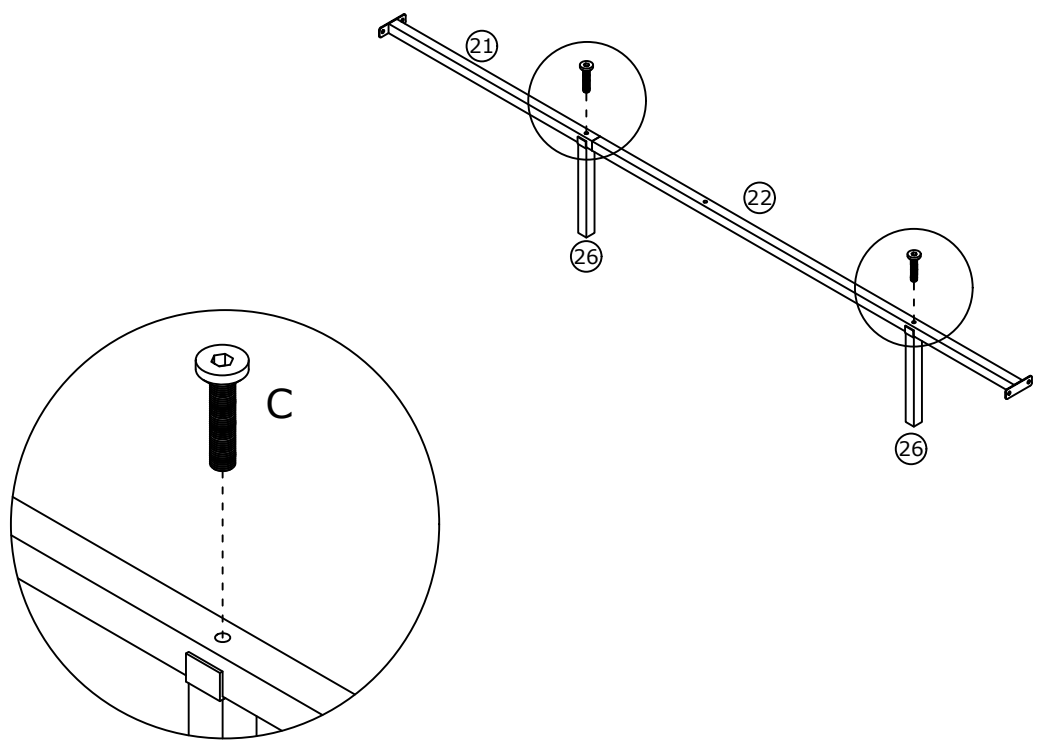
17

C	 M8*35	6	G	 M8	1	E	 M8	6	F	 M8	1
---	---	---	---	--	---	---	--	---	---	--	---




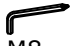
18

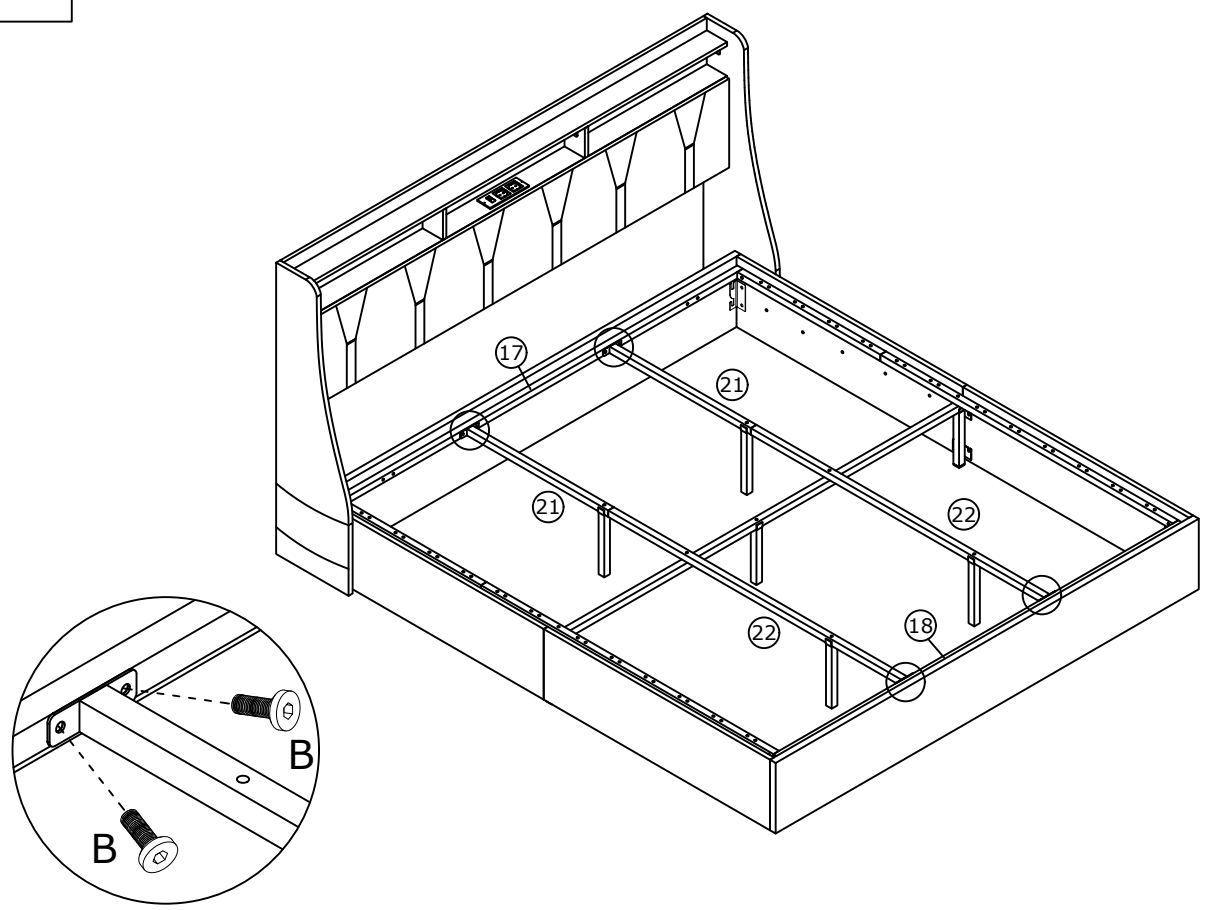
- | | | | | | |
|---|--|---|---|---|---|
| C |  M8*35 | 4 | G |  M8 | 1 |
|---|--|---|---|---|---|



x2

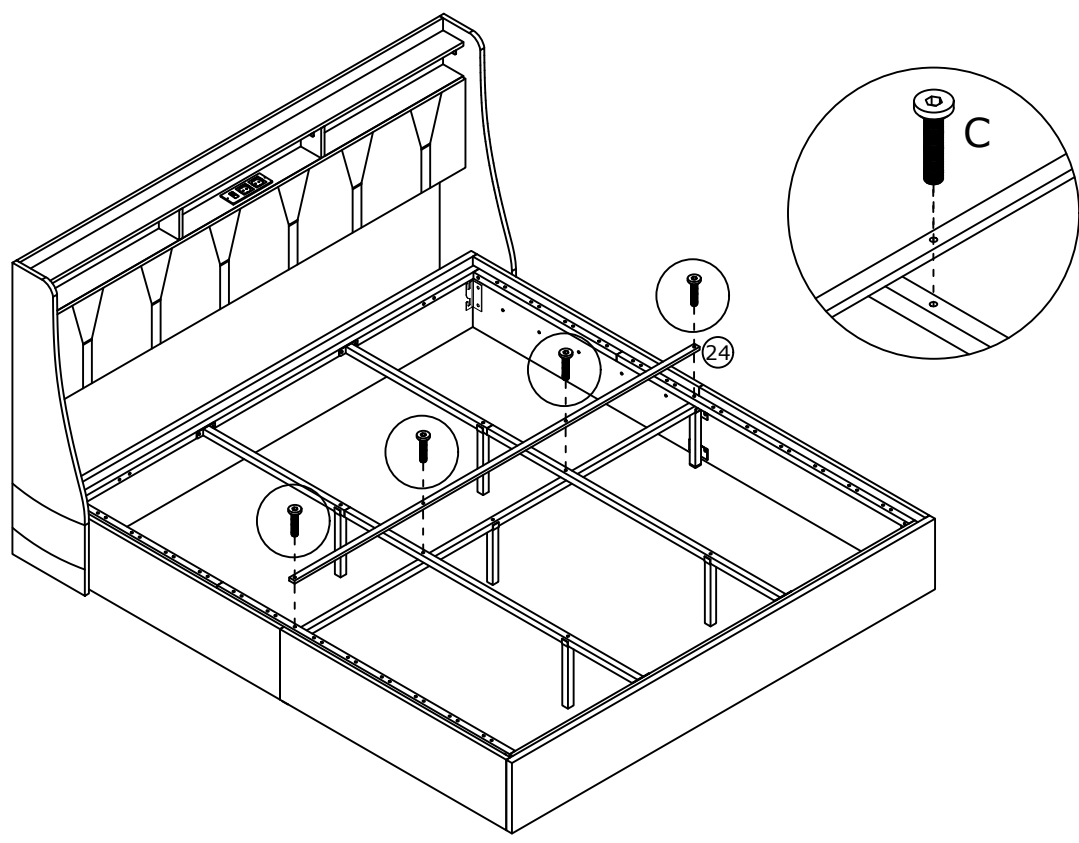
19

- | | | | | | |
|---|---|---|---|--|---|
| B |  M8*18 | 8 | G |  M8 | 1 |
|---|---|---|---|--|---|

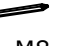


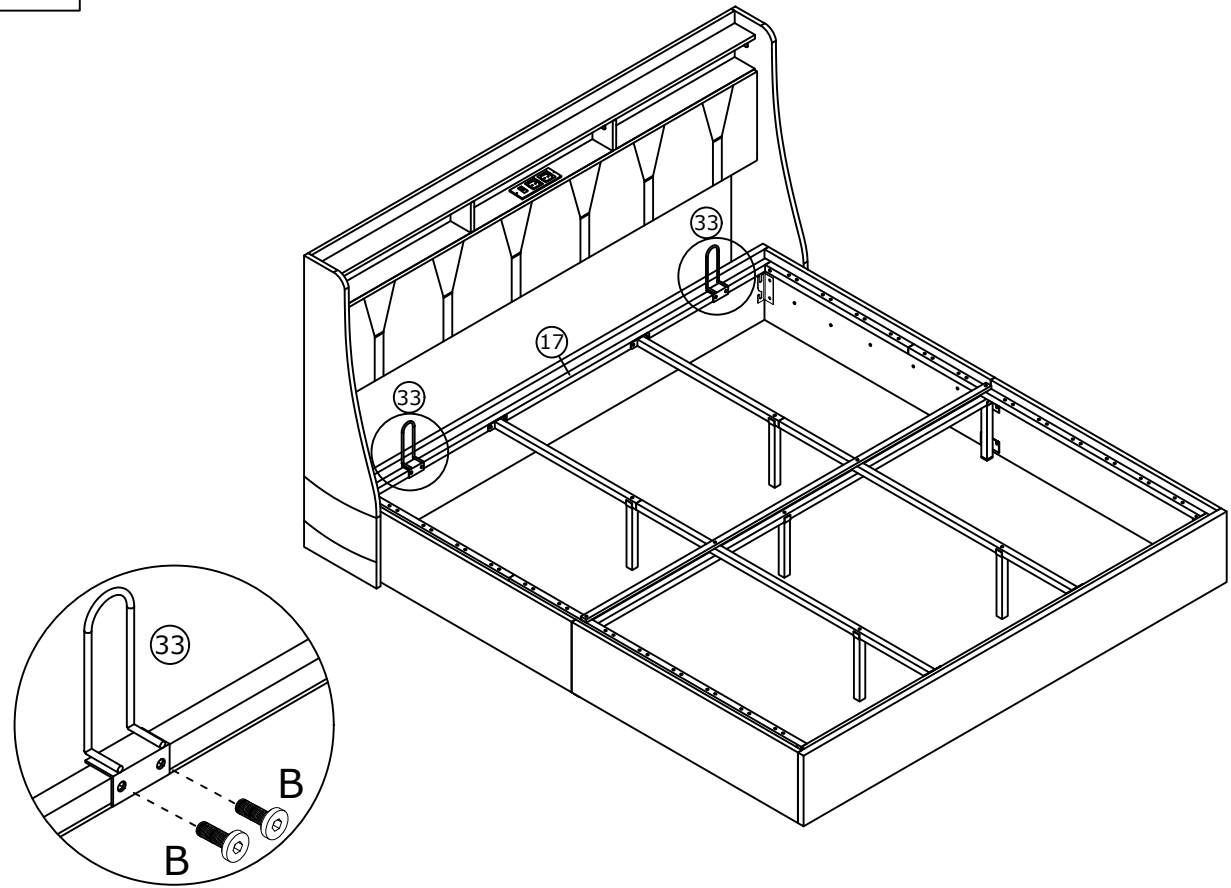
20

- | | | | | | |
|---|--|---|---|---|---|
| C |  M8*35 | 4 | G |  M8 | 1 |
|---|--|---|---|---|---|



21

- | | | | | | |
|---|---|---|---|--|---|
| B |  M8*18 | 4 | G |  M8 | 1 |
|---|---|---|---|--|---|



22

E

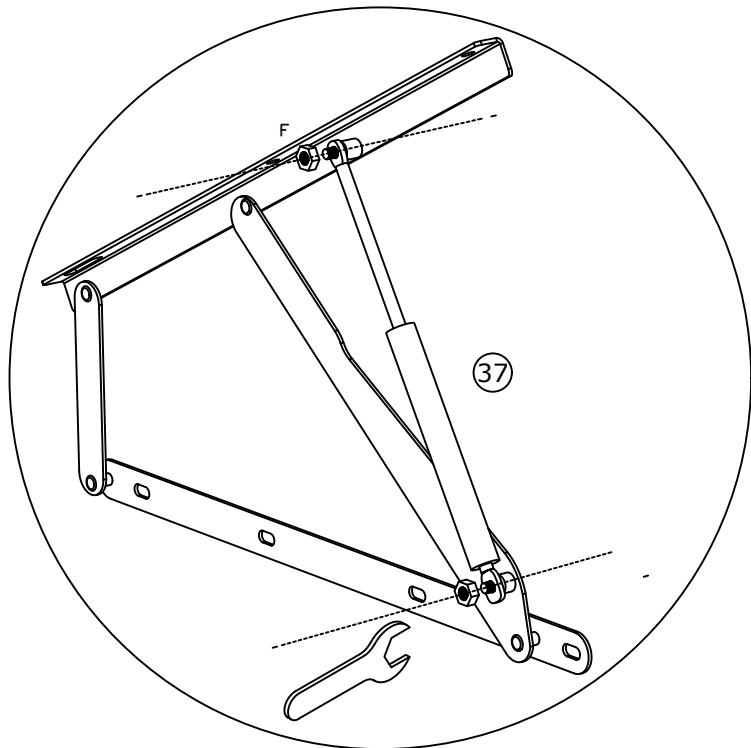
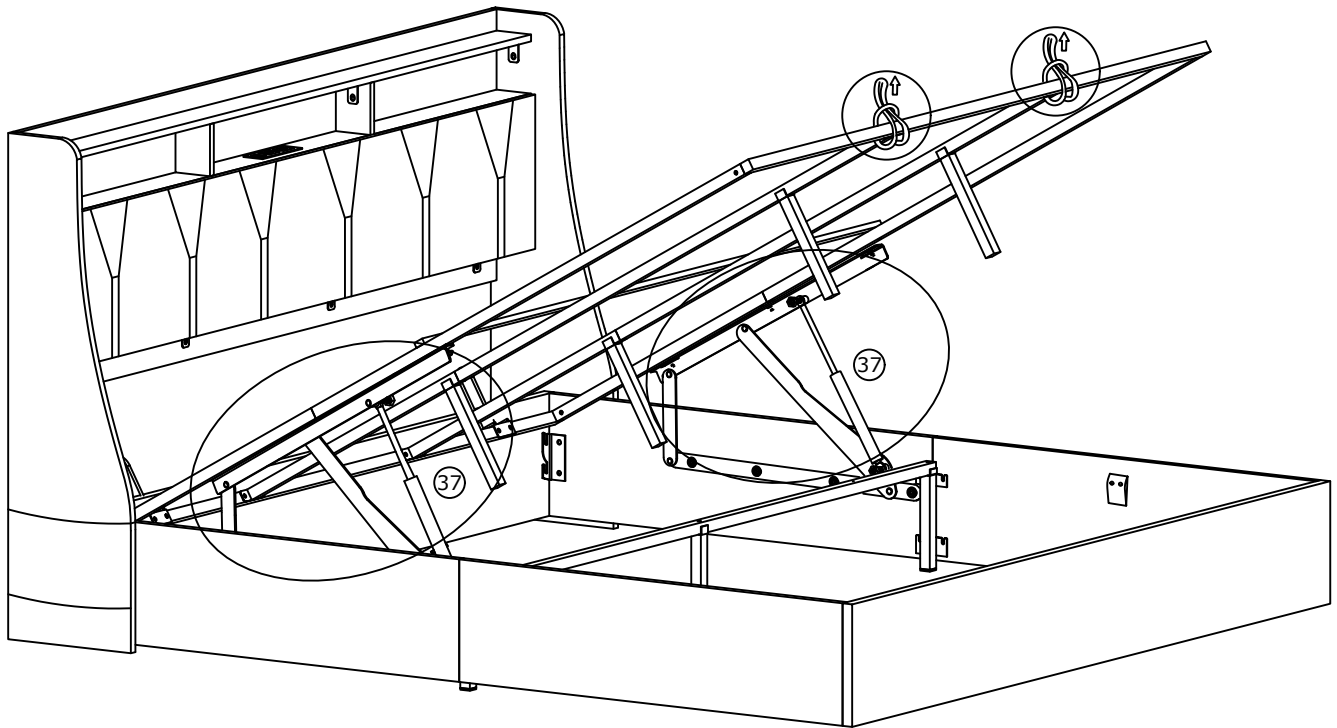
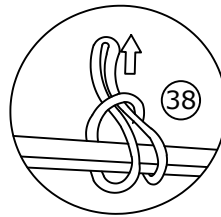


4

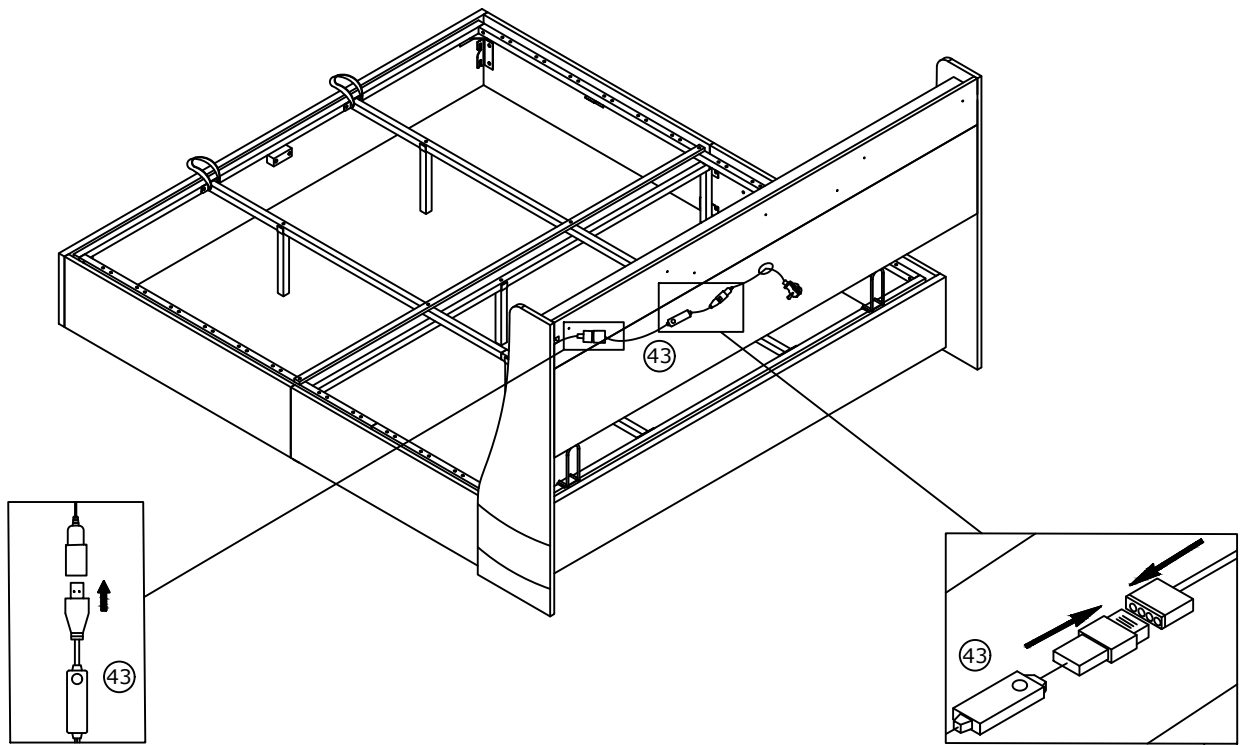
F



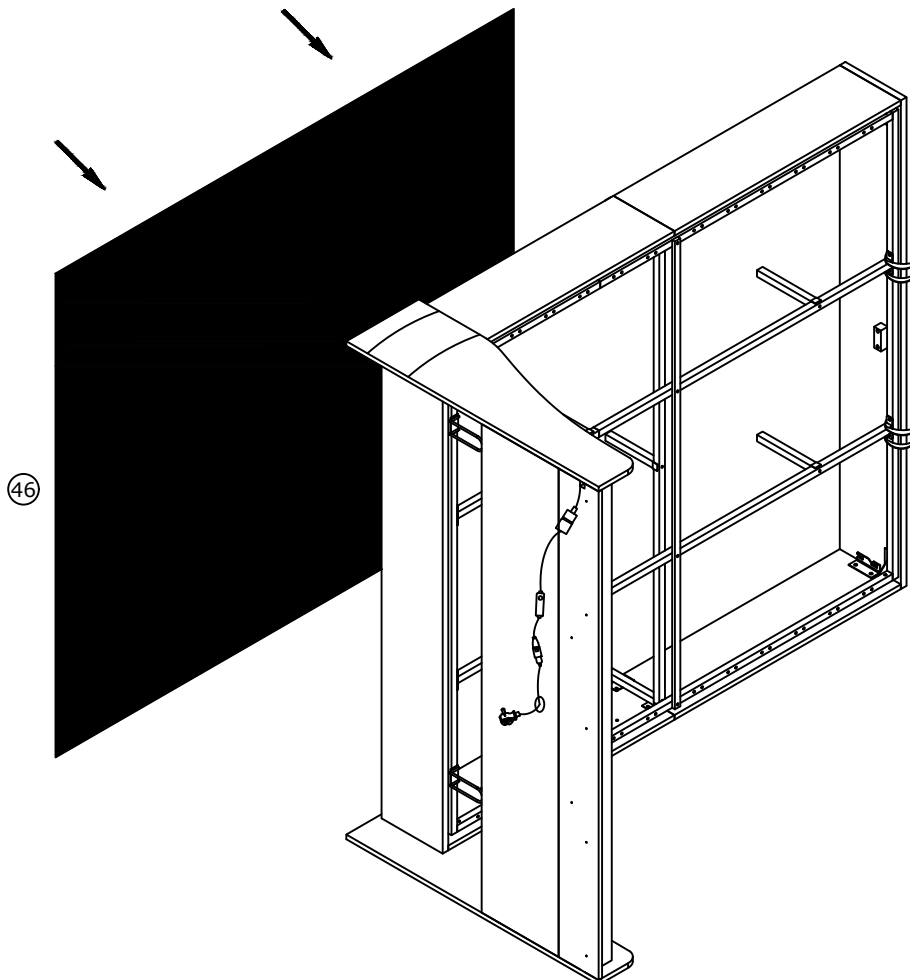
1



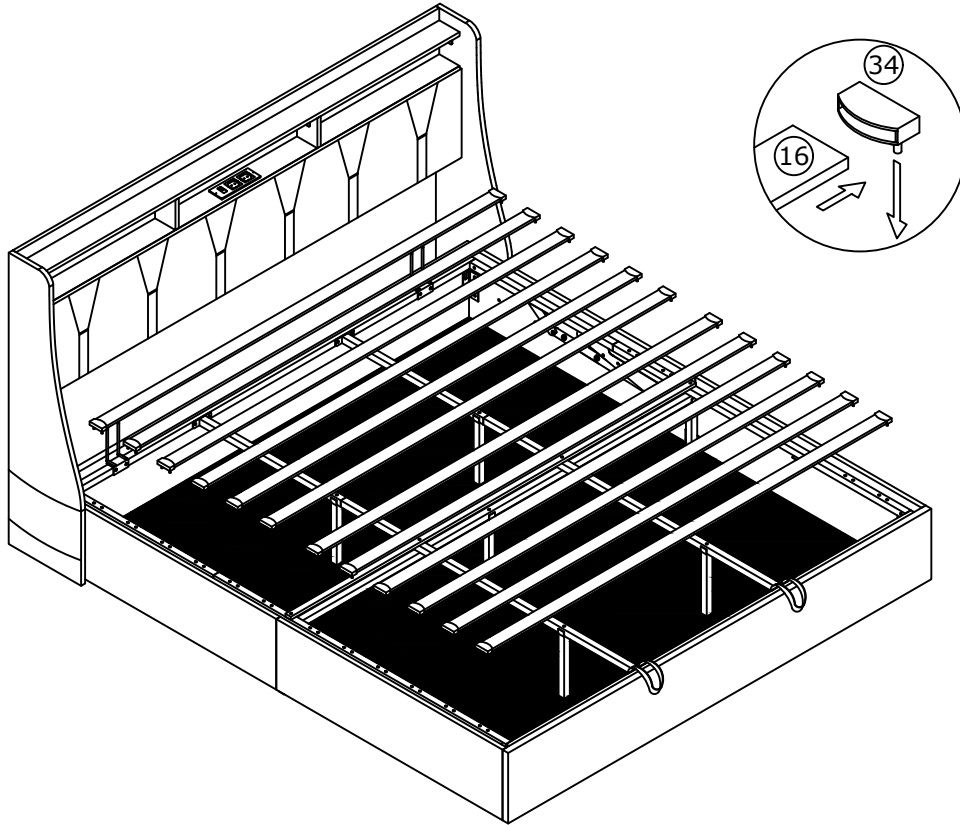
23



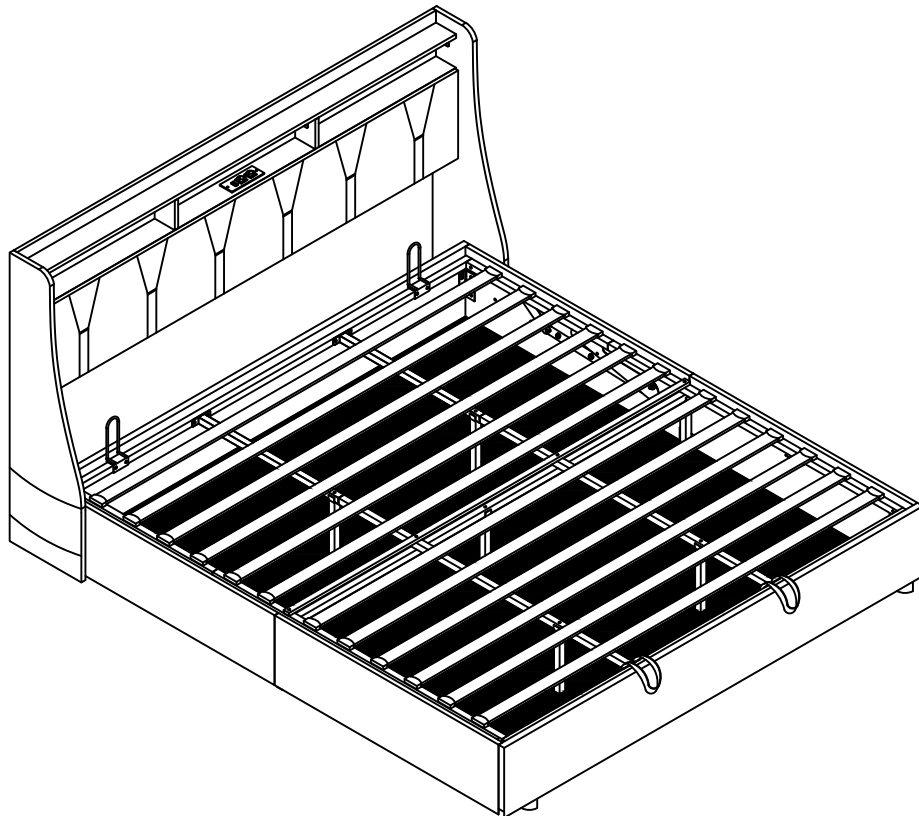
24



25



26





Product Service

Attestation of Conformity

No. N8A 129388 0002 Rev. 00

Holder of Attestation: **Dongguan Yali Electric Appliance Co., Ltd.**


8/F, Building 9, No. 6, Yuyuan 4th Road
Yuyuan Industrial Zone, Huangjiang Town
523750 Dongguan City, Guangdong Province
PEOPLE'S REPUBLIC OF CHINA

Product: **Socket-outlets**

This Attestation of Conformity is issued on a voluntary basis according to the Low Voltage Directive 2014/35/EU relating to electrical equipment designed for use within certain voltage limits. It confirms that the listed equipment complies with the principal protection requirements of the directive and is based on the technical specifications applicable at the time of issuance. It refers only to the particular sample submitted for conformity assessment. For details see: www.tuvsud.com/ps-cert

Test report no.: 6810024020601

Date, 2024-12-04


(Michael Xu)

Page 1 of 2

This Attestation does not replace the regulatory EU Declaration of Conformity (DoC) and does not allow for CE marking. After preparation of the necessary documentation and establishing compliance to requirements of all applicable directives, the manufacturer may sign a DoC and apply the CE marking. The DoC is issued under the sole responsibility of the manufacturer.



Product Service

Attestation of Conformity

No. N8A 129388 0002 Rev. 00

Model(s):

YL-SKCE-901, YL-SKCE-901A, YL-SKCE-901A-PD20W,
YL-SKCE-902, YL-SKCE-902A, YL-SKCE-902A-PD20W,
YL-SKCE-903, YL-SKCE-903A, YL-SKCE-903A-PD20W,
YL-SKCE-905, YL-SKCE-905A, YL-SKCE-905A-PD20W,
YL-SKCE-906, YL-SKCE-906A, YL-SKCE-906A-PD20W,
YL-SKCE-907, YL-SKCE-907A, YL-SKCE-907A-PD20W,
YL-SKCE-908, YL-SKCE-908A, YL-SKCE-908A-PD20W,
YL-SKCE-909, YL-SKCE-909A, YL-SKCE-909A-PD20W

Parameters:

Rated voltage: 250Vac
Rated frequency: 50/60Hz
Rated current: 16A
Protection class: I
Degree of protection: IP20
Type of cable: H05VV-F 3G1.5mm²

**Tested
according to:**

DIN VDE 0620-1:2021
DIN VDE 0620-2-1:2021/A1:2023

Page 2 of 2

This Attestation does not replace the regulatory EU Declaration of Conformity (DoC) and does not allow for CE marking. After preparation of the necessary documentation and establishing compliance to requirements of all applicable directives, the manufacturer may sign a DoC and apply the CE marking. The DoC is issued under the sole responsibility of the manufacturer.

DECLARATION OF CONFORMITY

Issued to: SHENZHEN LEDMY CO., LTD.
Address: Room 1503-1505, Block 2 Excellence City Zhongkang Road, Futian District
Shenzhen, Guangdong Province, China

Product: LED Strip
Trade mark: N/A
Type/Model: Series name: Fabxxcd-Py-GzYYefghhpVi###\$jkkLn%mmzztunn (See LVD report for details)
Ratings: DC 24V; 4.2A Max.; 100W Max.; ta:40°C; Class III. (For more details see report)

Manufactured by: Jiangmen Ledmy Co., LTD.
Address: Building 1, 3, 4, 5, No. 3, Huahui Road, Waihai Street, Jianghai District, Jiangmen
City, Guangdong Province

Requirements: EN 60598-2-21:2015
EN IEC 60598-1:2021 + A11:2022
EN 62471:2008
EN 62493:2015+A1:2022

This declaration is granted on account of an examination by DE, the results of which are laid down in a Report No. DER0776230239045


This declaration implies that the examined types are in accordance with the standards designated under Annex I of the Low Voltage Directive (LVD) 2014/35/EU.

The examination has been carried out on representative specimen of the product, submitted by the manufacturer. The declaration does not include an assessment of the manufacturer's production. Conformity of his production with the specimen tested by DE is not the responsibility of DE.

Shenzhen, May 22, 2024

Number: DEC0776230239045

Shenzhen DE Certification Lab co., Ltd.


Tony Lin
Certification Manager



Note: This declaration of conformity is part of the full report and should be read in conjunction with it.

**General product information:**

Rating: DC 24V; Max. 4.2A, Max. 100W; ta: 40°C; Class III.

1 These products are class III luminaire, suitable for directly mounting on normally flammable surfaces.

2 All models have similar electrical construction and appearance except the rating, length, LED type and quantity, IP rating.

3 All products above IP20 required sealant at the input and output.

4 Series names: Fabxxcd-Py-GzYYefghpVi####\$jkkLn%mmzztunn

4-1) Fa represent Segmentation type; can be FP, FH and FE: FP = Flex Premium; FH = Flex Honor; FE = Flex Essential;

4-2) b represent Sub-Segment; can be Blank, W, S, O and N: Blank = Normal versions; W = wall washer; S = S Shape; O = Big angle; N = Neon;

4-3) xx represent power consumption; can be any letters but not exceed 100W Max.;

4-4) c represent Classification Color Control; can be W, M, D and C; W = Pure White; M = Single color; D = Digital control; C = Color Mixed;

4-5) d represent Light Emitting Direction; can be Blank, S, TS and R; Blank = Top Emitting/Bending; S = Side Emitting/Bending; TS = Top Emitting/Bending and Side Emitting/Bending, R = 360° Round neon strip;

4-6) Py represent IP level; can be P0, P2, P5, P7 and P8; P0 = IP20; P2 = IP62; P5 = IP65; P7 = IP67; P8 = IP68;

4-7) Gz represent Generation; can be G1, G2, G1Y, G2Y or any other number, or any other number Suffix Y;

4-8) YY represent LED type, can be 06, 10, 14, 18, 20, 21, 22, 27, 28, 30, 31, 35, 38, 40, 50, 56, 57, 60, COB; 06 = 0603; 10 = 1010; 14 = 3014; 18 = 1808; 20 = 2016; 21 = 2110; 22 = 2216; 27 = 3527; 28 = 2835; 30 = 3030; 31 = 315; 35 = 3528 or 3535; 38 = 3838; 40 = 4020 or 4040; 50 = 5050; 56 = 5630; 57 = 5730; 60 = 6060; COB = COB Module.

4-9) e represent LED Spec; can be H, L, H2 and Blank; H = 60mA; L = 20mA; H2 = Dual chip and Blank for only one LED rating;

4-10) f represent LED Classification or LED manufacturer; can be any letter;

4-11) g represent CRI; can be blank or can be any letter or number. 8, 9, F, C, S, G, A, M and P; blank = Not available; 8 = CRI>80; 9 = CRI>90; F = full spectrum; C = Cake; S = Seafood; G = Gold; A = Apple; M = Meat and P = Pork;

4-12) hh represent CCT or color of LED. It can be any numbers or letters. For example: 30, 40, 2765, RGB, RG, R, G, Y and B; 30 = 3000K; 40 = 4000K; 2765 = 2700K~6500K; RGB = Mixed color; R = Red; G = Green; Y = Yellow and B = Blue or any other letter; For double light source, YY to hh can be reduplicative;

4-13) p represent voltage; P = 05, 12, 24 and 48;

4-14) i represent CC mode, can be blank, C, T, D, and S; Blank for constant voltage; C = IC constant current; T = Triodes constant current; D = DMX control and S = SPI control;

4-15) #### three numbers indicate number of LED per meter; can be 24, 30, 56, 60, 64, 80, 96, 120, 140, 160, 180, 210, 240, 280, 300, 320, 350, 378, 420, 480, 512, 560, 700 or any other number; Suffix Can be added S, D, T, F; S represents single line; D represents Double lines; T represents Tribble line; F represents Four lines;

4-16) \$ represent LED quantity per series, can be any number or blank;

4-17) j represent PCB color of normal versions; can be W, B, Y and Blank; W = White; B = Black; Y = Yellow Blank for Neon version;

4-18) kk represent PCB width for normal versions or cross-sectional dimensions for Neon and Wall washer version; For normal versions, it can be 03, 04, 08, 10, 12; 03 = 3mm; 04 = 4mm; 08 = 8mm; 10 = 10mm and 12 = 12mm and; For Neon and Wall washer version, it can be any two number by two number to represent the width and height of the cross-section. For example: 0816 = 8mm width by 16mm height or other numbers;

4-19) n represent outline supplementary information, can be blank;

4-20) % represent FPCB min length, can be R or blank;

4-21) mm represent length per reel, can be any letters but max length not exceed 100W;

4-22) zz represent Emission degree, can be x°, x°y°, x°y°z°, Dx, Dx*y, Dx*y*z or blank;

4-23) t dimmer model, can be D2W PWM or blank;

4-24) u represent comply with certification requirement, can be CE, UL, ErP or blank;

4-25) nn represent Brand, IC model and SDCM; can be blank, NILED;

APP mode

APP name is "duoCo Strip"

Please search for and install the app in the QR code on the back of the controller .

APP name is "duoCo Strip"

Please search for and install the app in the QR code on the back of the controller .



Functions are listed as follows:

1.Adjust: Adjust the brightness and color temperature of 16 million kinds of colors for monochrome LED strip

2.Style: Multiple modes to choose from, including stroboscopic, static, gradient, transitionv...a total of 200+ RGB diversified lighting modes, you can choose the appropriate mode according to the specific scene

3.Music: The led lights can change the color and speed of the light according to the rhythm of the music

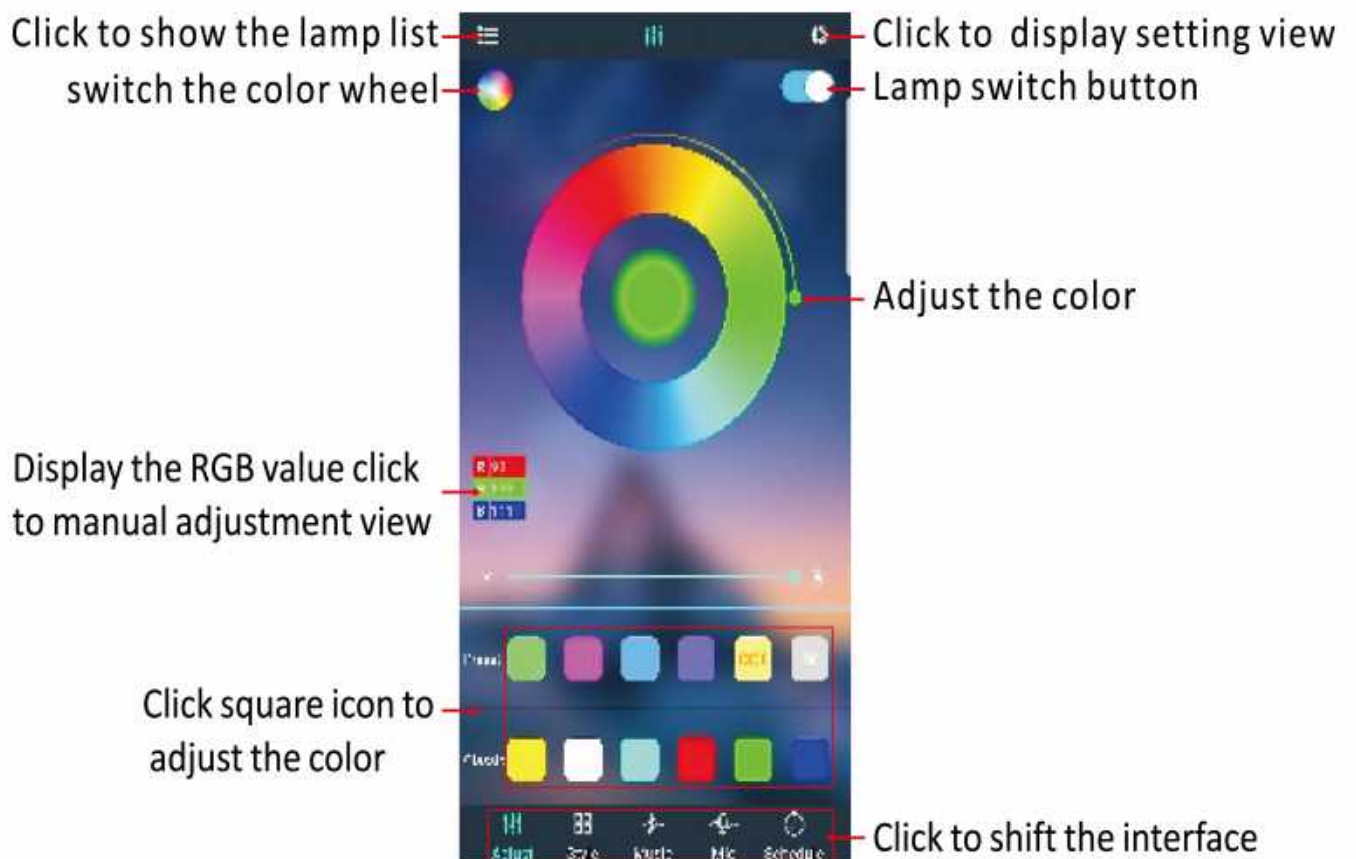
4.Mic: Built-in high-sensitivity microphone,when you speak face to the mobile,the light strip will feel the size of your voice and the speed of speaking, and change the color and speed

5.Schedule: Select the date and time to turn on /off the timing light The lights will turn on/ off for the time you set

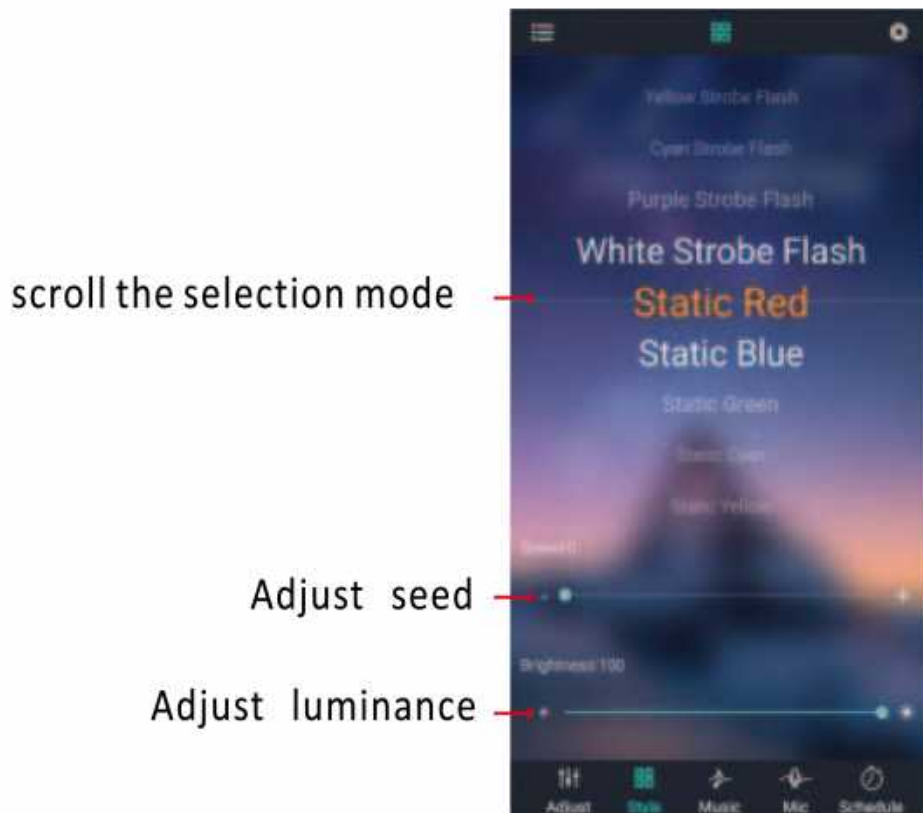
(1) Click to show the lamp list , view lamp list:



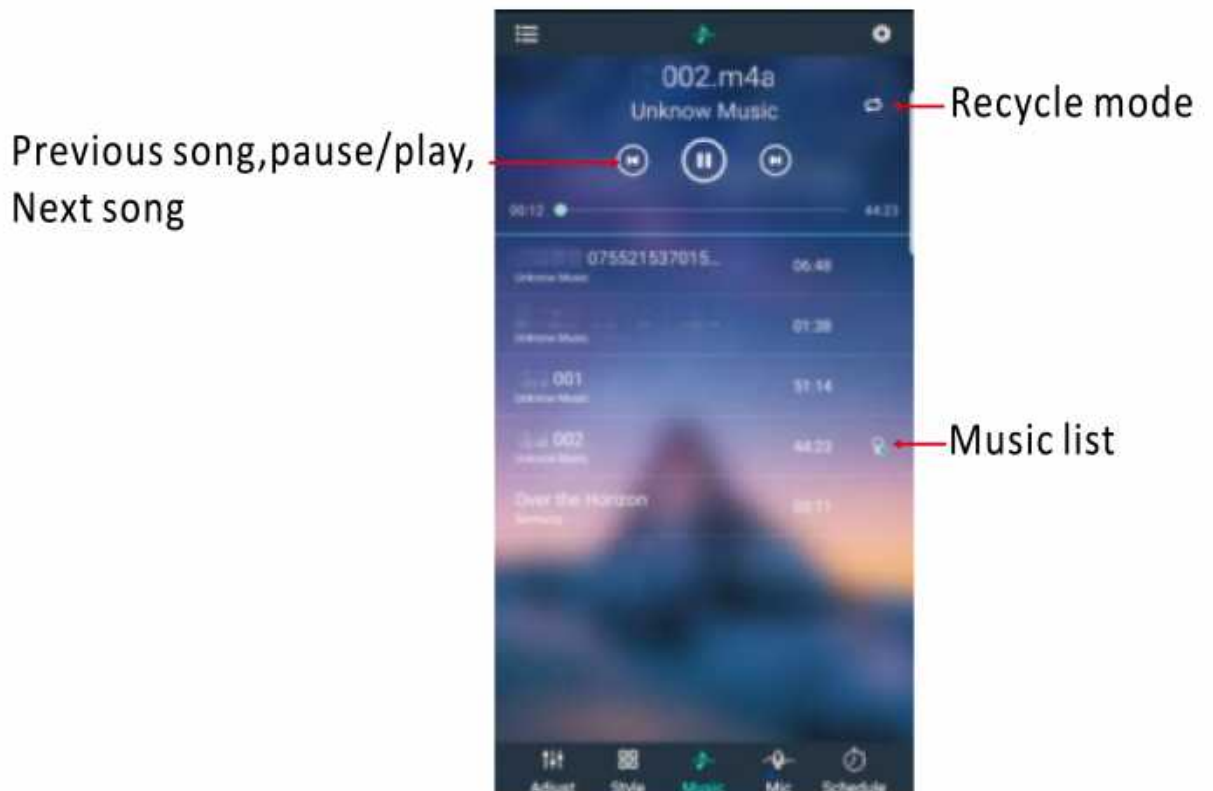
(2) Switch to color and brightness interface:



(3) Switch to the mode interface:



(4) Switch to the music rhythm:



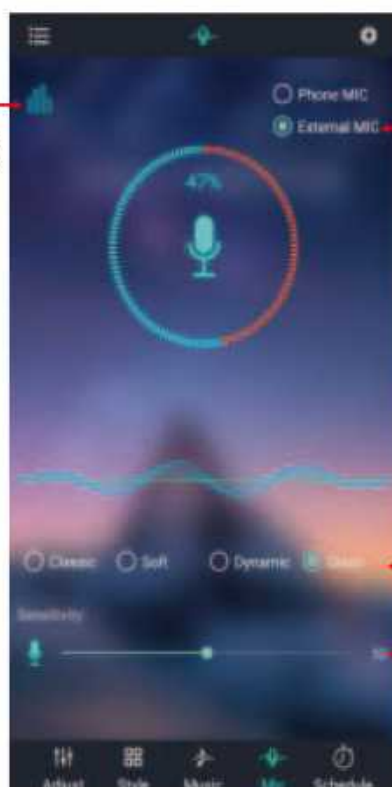
(5) Switch to the microphone rhythm interface:

Music rhythm through cell phone microphone



Switch phone microphone and external microphone

Music rhythm through the microphone on the product

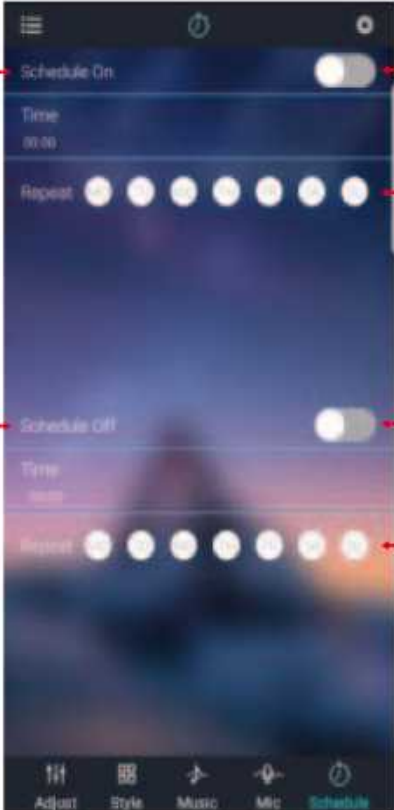


Switch phone microphone and external microphone

4-style rhythm

Change the sensitivity of MIC to match the sound

(6) Switch to the schedule:



Set the time of Light-On

Enable or disable the light-On function

Repeat setting No selection for once Light-On

Set the time of Light-Off

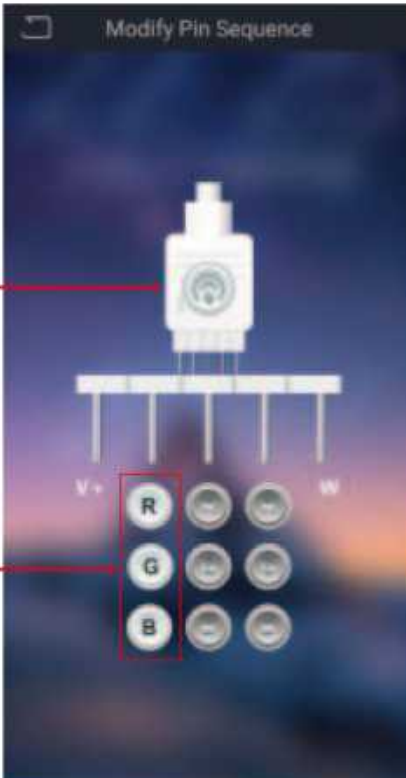
Enable or disable the Light-Off function

Repeat setting No selection for once Light-Off

Adjust Style Music Mic Schedule

The screenshot displays the 'Schedule' settings page. At the top, there is a 'Schedule On' section with a toggle switch, a 'Time' field set to '00:00', and a 'Repeat' row of seven dots. Below this is a 'Schedule Off' section with a similar toggle, 'Time' field set to '00:00', and 'Repeat' row. The bottom navigation bar includes icons for 'Adjust', 'Style', 'Music', 'Mic', and 'Schedule'.

(7) Switch to the modify pin sequence interface:



Click to save the new assignment

Change the real color of this line

V+ W

R G B

The screenshot shows the 'Modify Pin Sequence' interface. At the top, there is a pin header with five pins. Below it, there is a grid of color selection buttons labeled 'R', 'G', and 'B'. The 'R' button is highlighted with a red box. The interface also shows 'V+' and 'W' labels on the left and right sides of the grid.

Local music:

1. Download local music on android phone:

- (1) Android phone use music players to download songs or copy songs from computers to mobile phones.
- (2) Restart duoCol Strip and switch to music Rhythm Interface to see the newly imported music files.

2. Download local music on iphone:

- (1) Install itunes software on your computer(Apple or Windows)
- (2) Log in to itunes with the same Apple ID account on the Iphone
- (3) Use itunes to import downloaded music files on your computer
- (4) The imported music files will be synchronized to the iphone in real time
- (5) Restart and switch to music Rhythm Interface to see the newly imported music files

	Importeur	Decobus Handel GmbH
	Adresse	Innungsstraße 9, 21244 Buchholz, Deutschland
	URL	https://www.decobusgroup.de
 	Modell	YL-SKCE-903A
	Standard	DIN VDE 0620-1: 2021 DIN VDE 0620-2-1: 2021/A1:2023
	Nennspannung	250V
	Nennfrequenz	50/60HZ
	Leistung	10W
	Hersteller	DONGGUAN YALI ELECTRIC APPLIANCE CO., LTD
	Adresse	8/F, BUILDING 9 ,NO. 6, YUYUAN 4TH ROAD YUYUAN INDUSTRIAL ZONE, HUANGJIANG TOWN 523750 DONGGUAN CITY, GUANGDONG PROVINCE, CHINA
	URL/Email	200836068@qq.com
	Produktionsdatum	2025/10
	Hergestellt In China	
		Warnung
		Bitte lesen Sie die Bedienungsanleitung sorgfältig durch, bevor Sie die Maschine benutzen

 LED	Importeur	Decobus Handel GmbH
	Adresse	Innungsstraße 9, 21244 Buchholz, Deutschland
	URL	https://www.decobusgroup.de
 	Modell	5050RGB - 5V - 60D
	Standard	EN 60598-2-21:2015 / EN IEC 60598-1:2021+A11:2022 / EN62471:2008 / EN62493:2015+A1:2022
	Nennspannung	5V
	Nennfrequenz	50HZ
	Leistung	8W
	Hersteller	SHENZHEN LEDMY CO., LTD
	Adresse	ROOM 1503-1505, BLOCK 2 EXCELLENCE CITY ZHONGKANG ROAD, FUTIAN DISTRICT, SHENZHEN, GUANGDONG PROVINCE
	URL/Email	ledmy.b2b168.com
	Produktionsdatum	2025/10
	Hergestellt In China	
		Warnung
		Bitte lesen Sie die Bedienungsanleitung sorgfältig durch, bevor Sie die Maschine benutzen