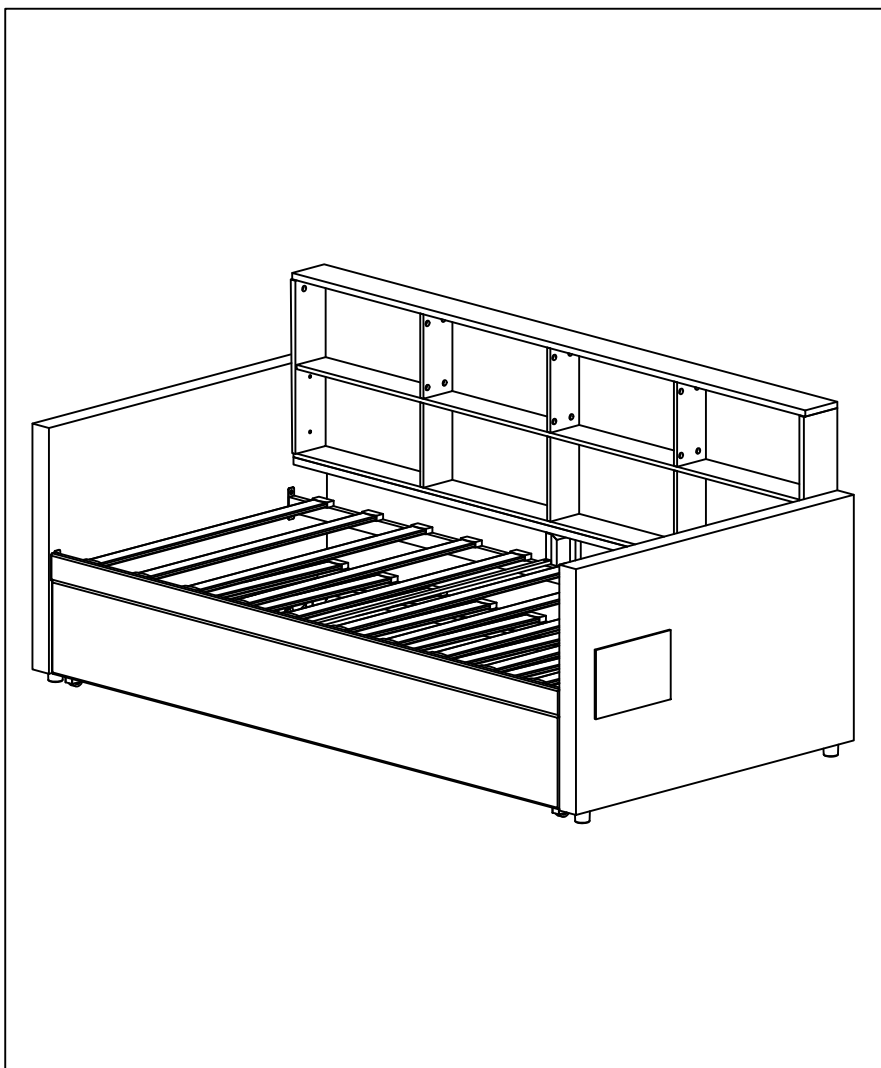


Montageanleitung | Instructions de montage Assembly Instructions | Instrucciones de montaje

SKU NUMBER:N623P355996+N623P355997



English

IMPORTANT ! KEEP FOR FUTURE REFERENCE : READ CAREFULLY

- To be assembled by an adult. Assembly must be checked by an adult before use
- WARNING ! Keep all screws, small parts and plastic bags out of the reach of children
- Properly identify all parts before assembling
- Never use your item if any of its parts are broken or missing
- Should any problems arise, please contact our After Sales Service
- Manufacturer's instructions shall be followed at all times
- Care: Clean with a soft, dry cloth. In case of larger stains, carefully rub with a slightly damp, non-abrasive sponge
- Do not jump on the bed

Français

IMPORTANT ! CONSERVER POUR RÉFÉRENCE ULTÉRIEURE : LIRE ATTENTIVEMENT

- Le montage doit être effectué par un adulte. Le montage doit être vérifié par un adulte avant utilisation
- ATTENTION ! Tenir les vis, les petites pièces et les sachets en plastique hors de portée des enfants
- Identifiez correctement toutes les pièces avant de les assembler
- N'utilisez jamais votre article si l'une de ses pièces est cassée ou manquante
- En cas de problème, veuillez contacter notre service après-vente
- Les instructions du fabricant doivent être respectées à tout moment
- Entretien : nettoyer avec un chiffon doux et sec. En cas de taches plus importantes, frotter soigneusement avec une éponge non abrasive légèrement humide. légèrement humide et non abrasive
- Ne pas sauter sur le lit

Deutsch

WICHTIG ! ZUM SPÄTEREN NACHSCHLAGEN AUFBEWAHREN: SORGFÄLTIG LESEN

- Muss von einem Erwachsenen zusammengebaut werden. Der Zusammenbau muss vor dem Gebrauch von einem Erwachsenen überprüft werden
- WARNUNG! Bewahren Sie alle Schrauben, Kleinteile und Plastikbeutel außerhalb der Reichweite von Kindern auf
- Kennzeichnen Sie vor dem Zusammenbau alle Teile richtig.
- Benutzen Sie Ihren Artikel niemals, wenn Teile gebrochen sind oder fehlen
- Sollten Probleme auftreten, wenden Sie sich bitte an unseren Kundendienst
- Die Anweisungen des Herstellers sind stets zu befolgen
- Pflege: Mit einem weichen, trockenen Tuch reinigen. Bei größeren Flecken vorsichtig mit einem leicht feuchten, nicht scheuernden Schwamm abreiben. nicht scheuernden Schwamm
- Nicht auf das Bett springen

Italiano

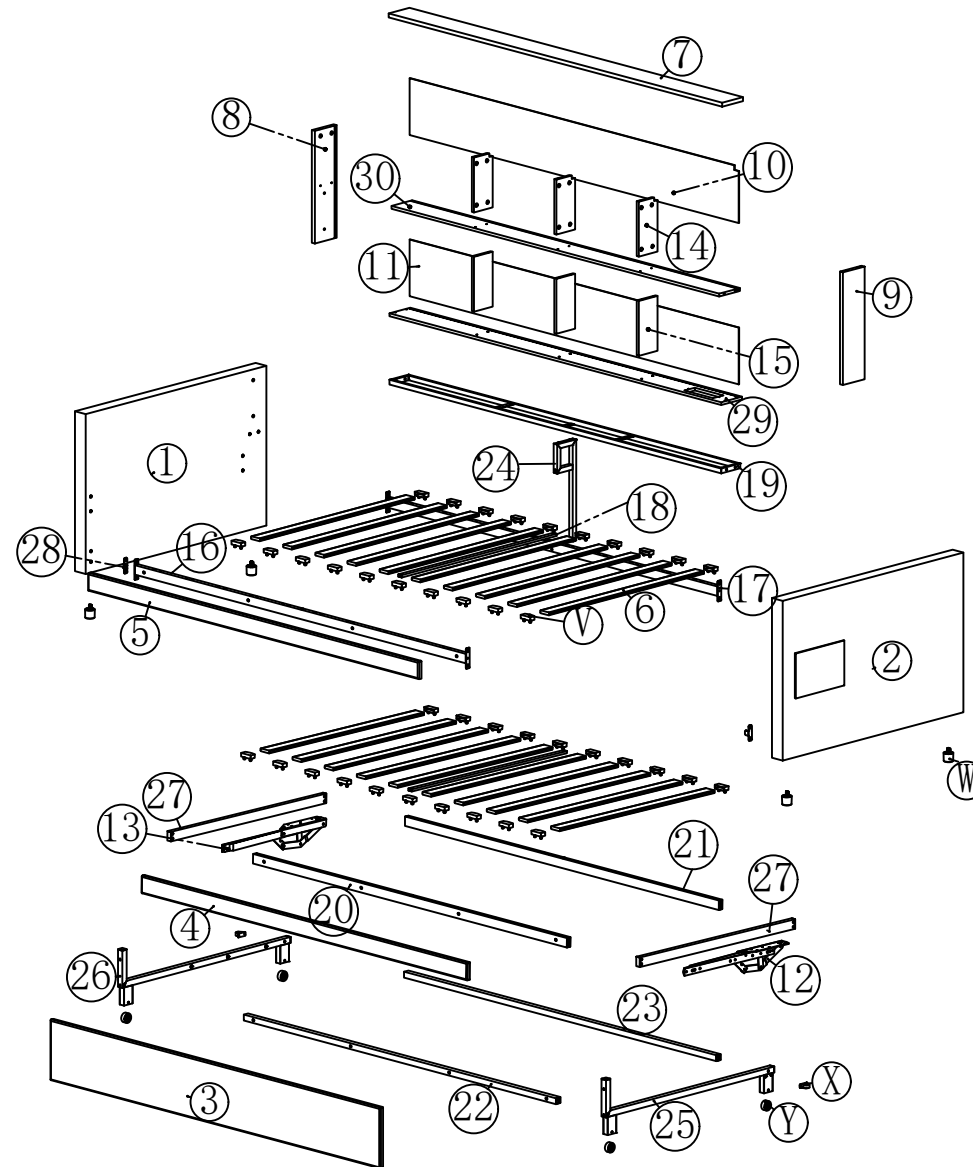
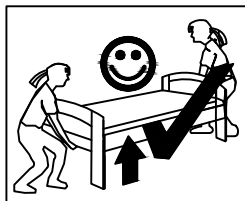
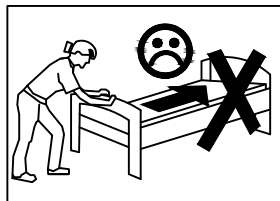
IMPORTANTE! CONSERVARE PER RIFERIMENTO FUTURO: LEGGERE ATTENTAMENTE

- Deve essere assemblato da un adulto. L'assemblaggio deve essere controllato da un adulto prima dell'uso
- **ATTENZIONE!** Tenere tutte le viti, le piccole parti e i sacchetti di plastica fuori dalla portata dei bambini
- Identificare correttamente tutte le parti prima dell'assemblaggio
- Non utilizzare mai l'articolo se alcune parti sono rotte o mancanti
- In caso di problemi, si prega di contattare il nostro Servizio Post Vendita
- Le istruzioni del produttore devono essere sempre seguite
- Cura: Pulire con un panno morbido e asciutto. In caso di macchie più estese, strofinare accuratamente con una spugna leggermente umida e non spugna leggermente umida e non abrasiva
- Evitare il rischio di incendio, non collocando i mobili vicino a fonti di accensione o a oggetti caldi
- Non saltare sul letto

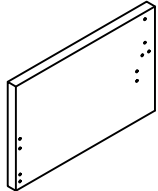
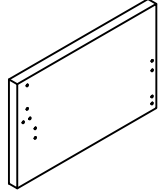



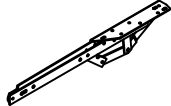
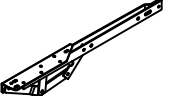
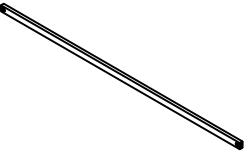

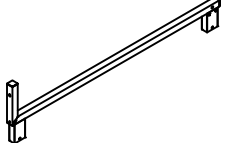
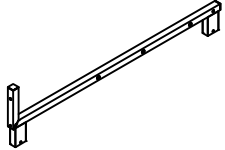
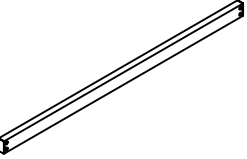
Español

¡ IMPORTANTE ! CONSERVELO PARA FUTURAS CONSULTAS: LEA ATENTAMENTE

- Debe ser montado por un adulto. El montaje debe ser comprobado por un adulto antes del uso
- **ADVERTENCIA** Mantenga todos los tornillos, piezas pequeñas y bolsas de plástico fuera del alcance de los niños.
- Identifique correctamente todas las piezas antes de montarlas
- Nunca utilice su artículo si alguna de sus piezas está rota o falta
- Si surge algún problema, póngase en contacto con nuestro Servicio Postventa
- Las instrucciones del fabricante deben seguirse en todo momento
- Cuidado: Limpiar con un paño suave y seco. En caso de manchas más grandes, frote cuidadosamente con una esponja no abrasiva ligeramente humedecida.
- Evite el riesgo de incendio no colocando los muebles cerca de fuentes de ignición u objetos calientes.
- No saltar sobre la cama.







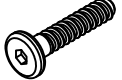

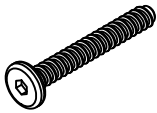



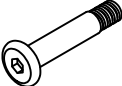


N623P355996






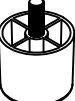
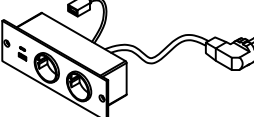
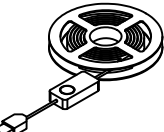
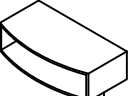
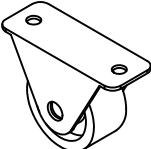


①		1pc	②		1pc
⑥		20pcs	⑧		1pc
⑨		1pc	⑫		1pc
⑬		1pc	⑱		2pcs
⑳		1pc	㉕		1pc
㉖		1pc	㉗		2pcs

Hardware List-Hardware-Liste-Liste du matériel

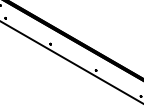
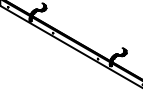
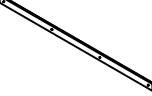
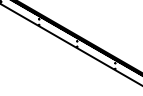
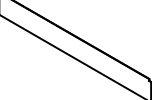
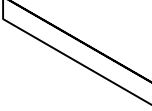




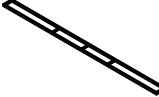



N623P355996

Ⓐ	M4 x 12 	2	Ⓑ	M4 x 16 	12
Ⓒ	M4 x 15 	4	Ⓓ	M5 x 40 	10
Ⓔ	M6 x 10 	4	Ⓕ	M6 x 20 	26+2
Ⓖ	M6 x 30 	12+1	Ⓖ	M6 x 35 	7
Ⓘ	M6x 45 	20+2	Ⓙ		4
			Ⓝ	M6 	4
Ⓞ	S4 	1	Ⓚ	M6x25X8 	4


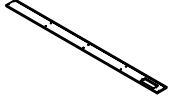
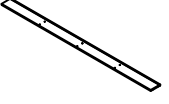
Hardware List-Hardware-Liste-Liste du matériel
N623P355996

Q	M6 x 35 	26+1	R		26+1
P	S3 	1	Z	S10 	1
S		12	W		4
T		1	U		1
V		40	X		2
Y		4	28		2

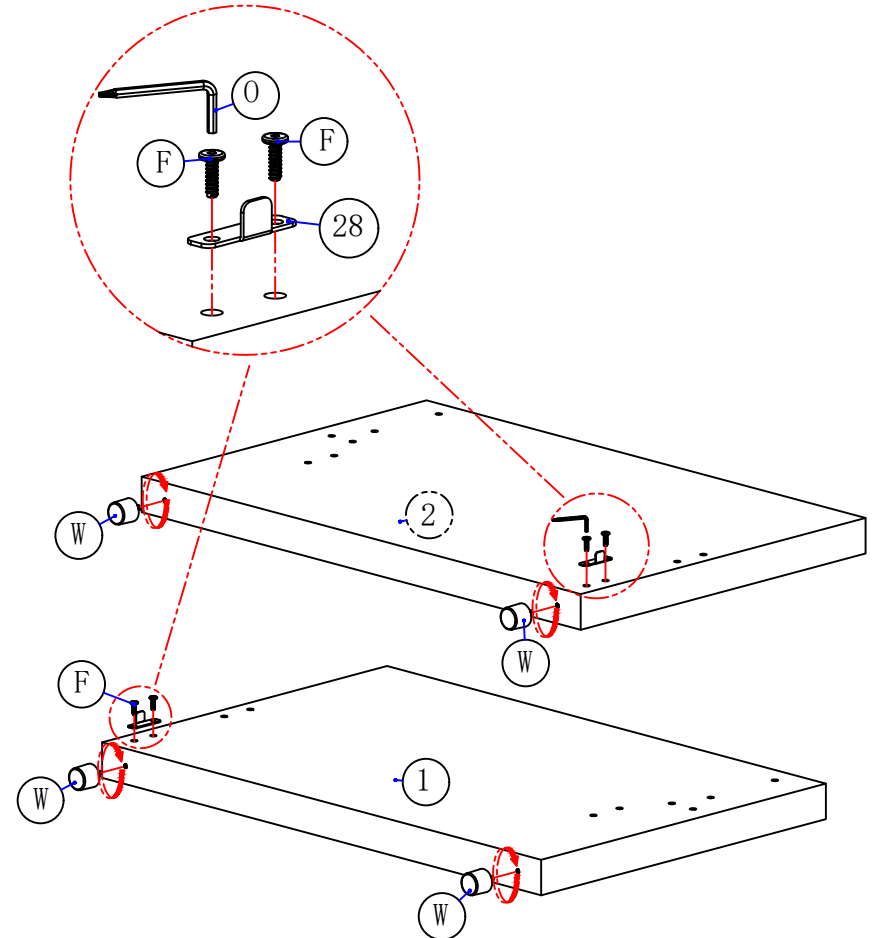
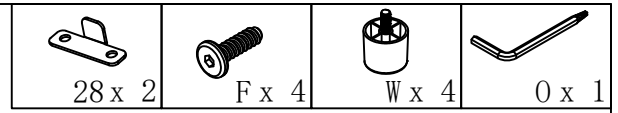
N623P355997

3		1pc	4		1pc
5		1pc	7		1pc
10		1pc	11		1pc
14		3pcs	15		3pcs
16		1pc	17		1pc
19		1pc	20		1pc
21		1pc	22		1pc

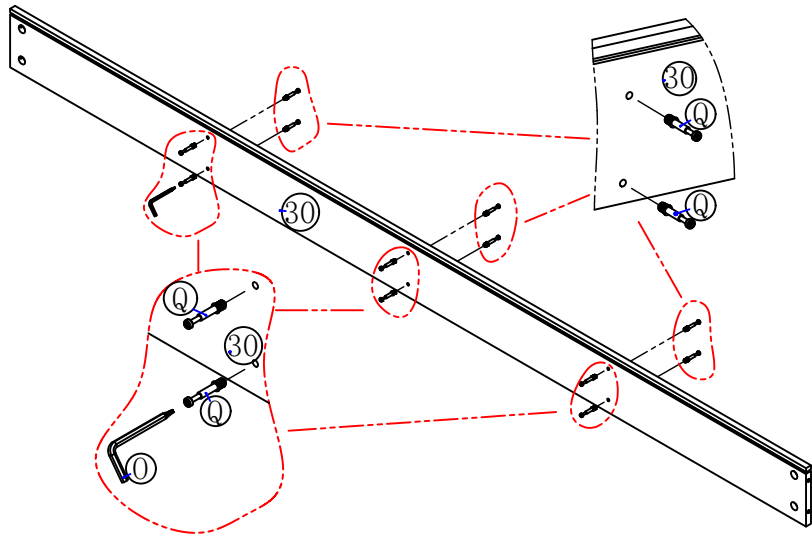
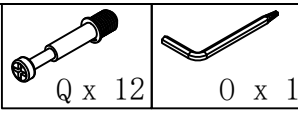
N623P355997

23		1pc	29		1pc
30		1pc			

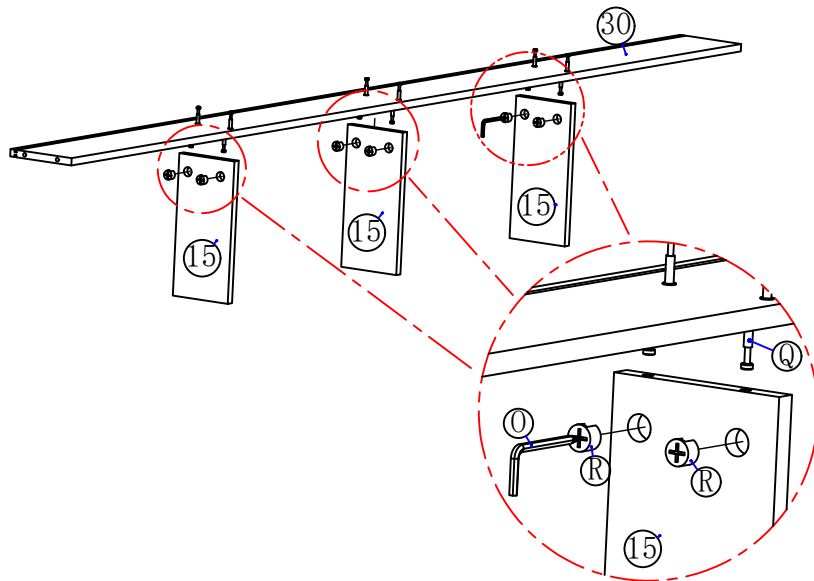
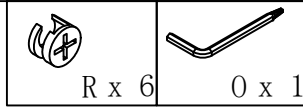
Step 1



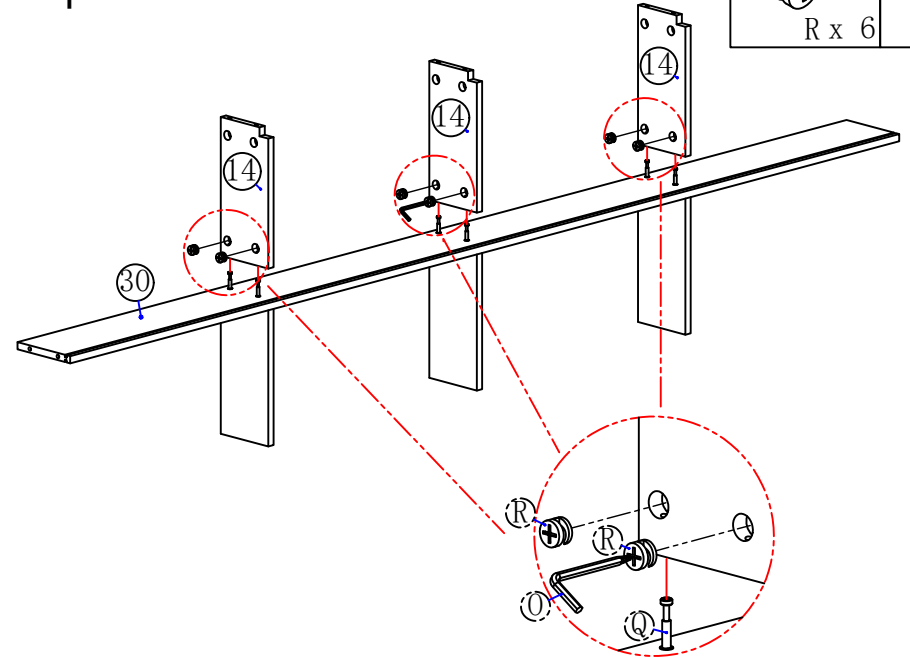
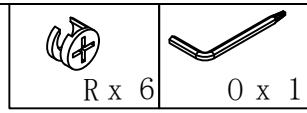
Step 2



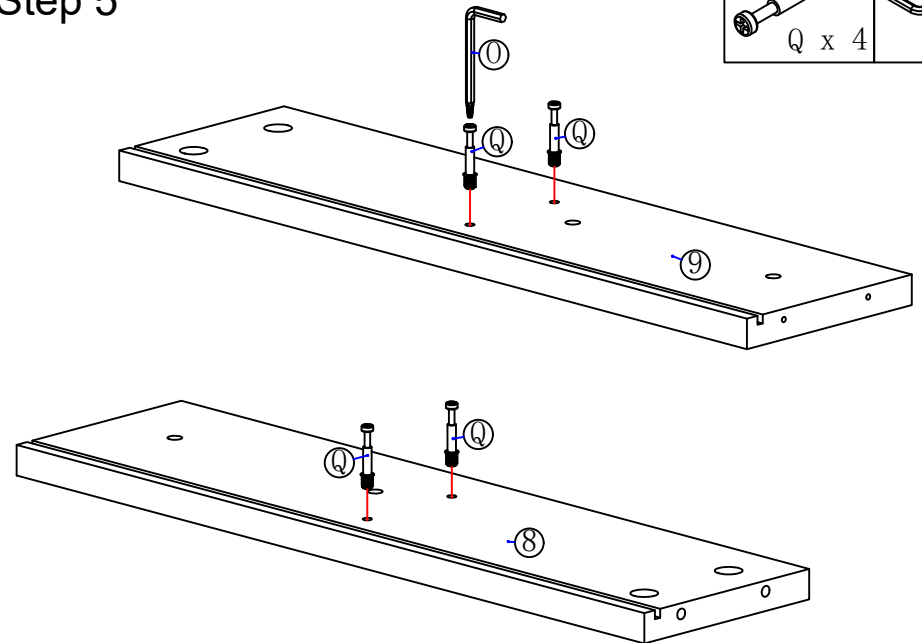
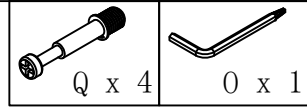
Step 3



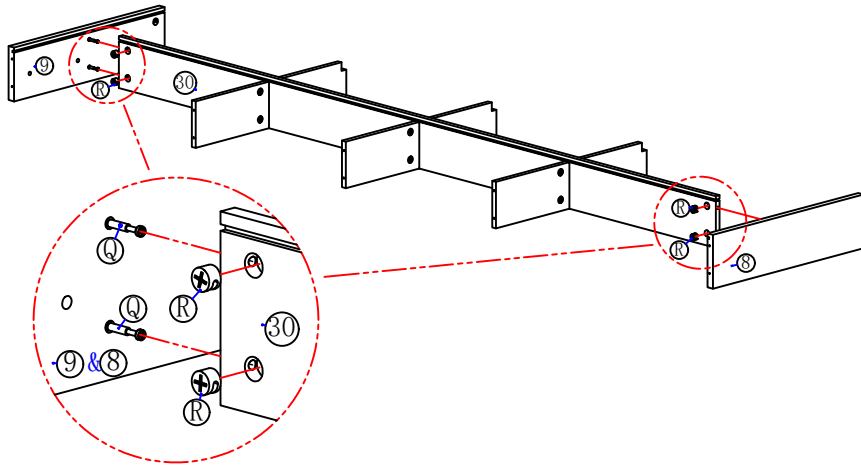
Step 4



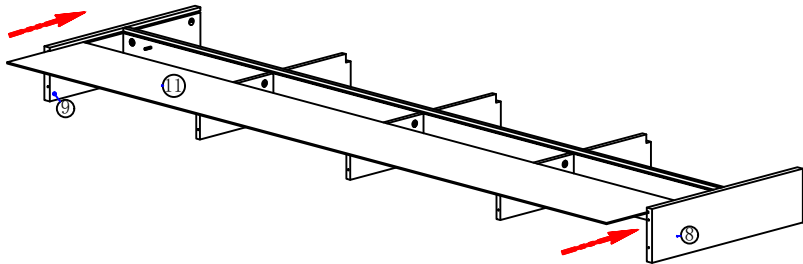
Step 5



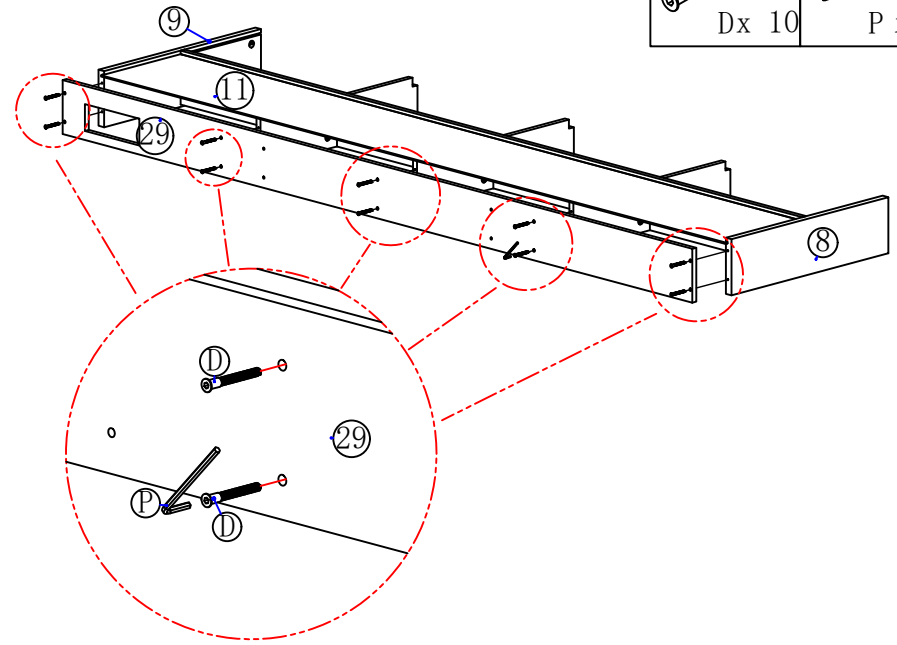
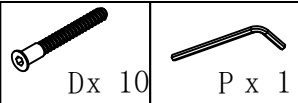
Step 6



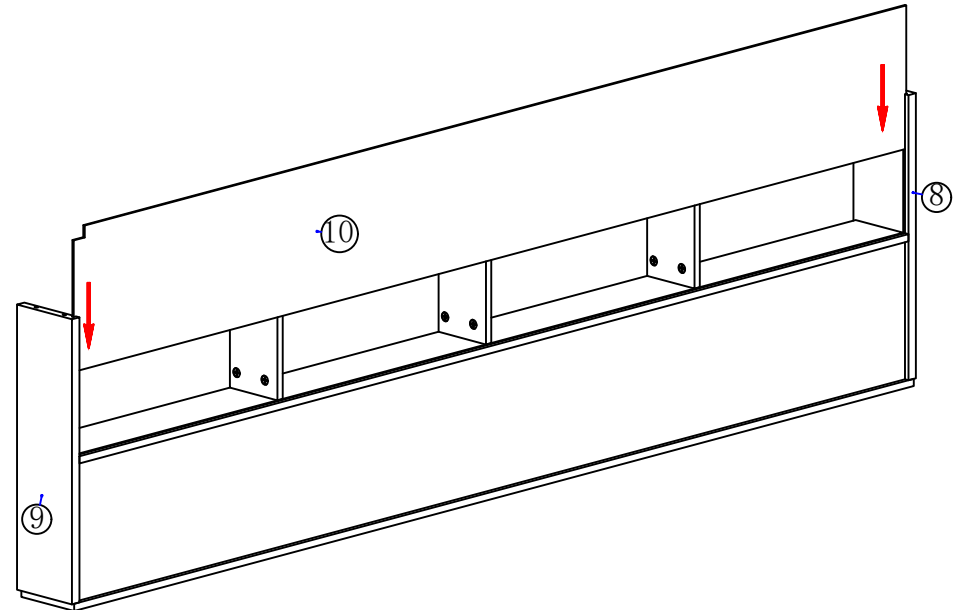
Step 7



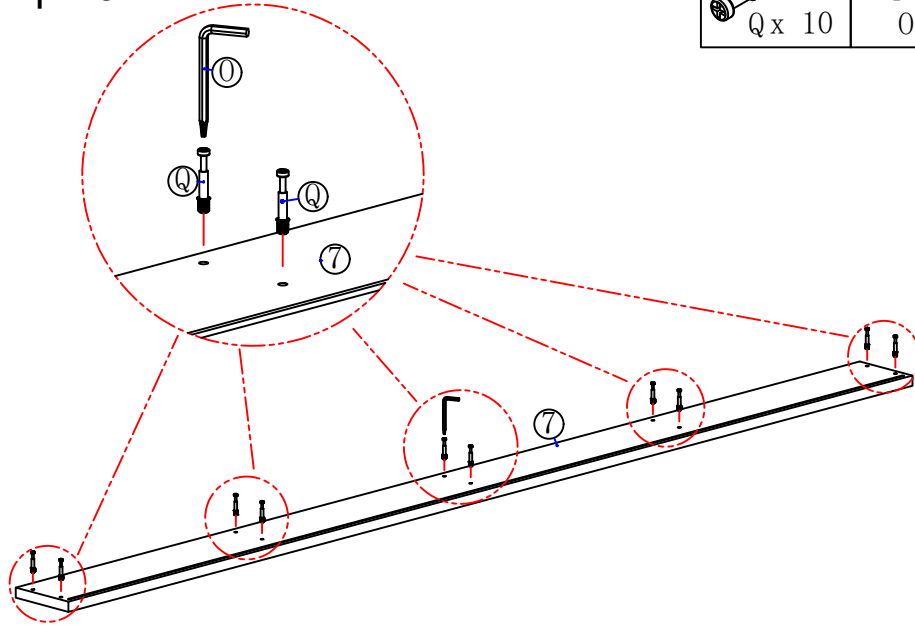
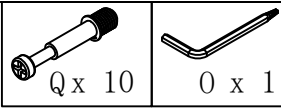
Step 8



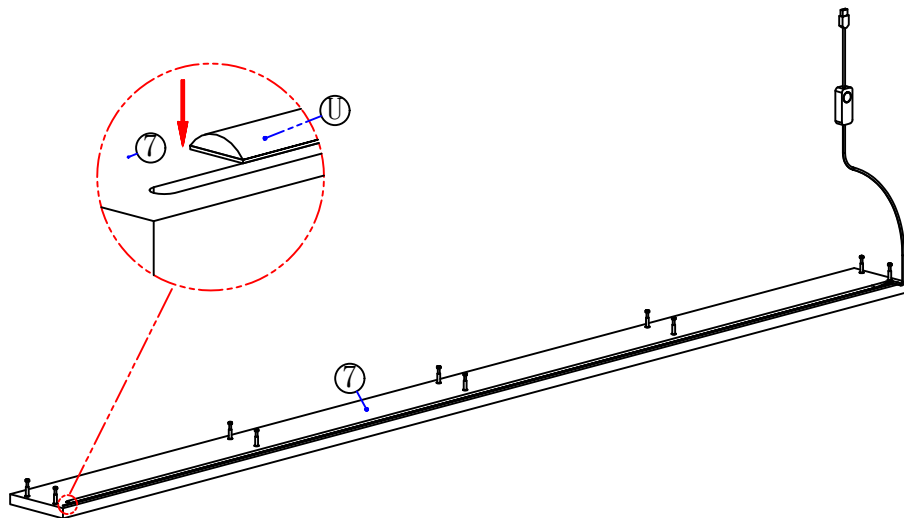
Step 9



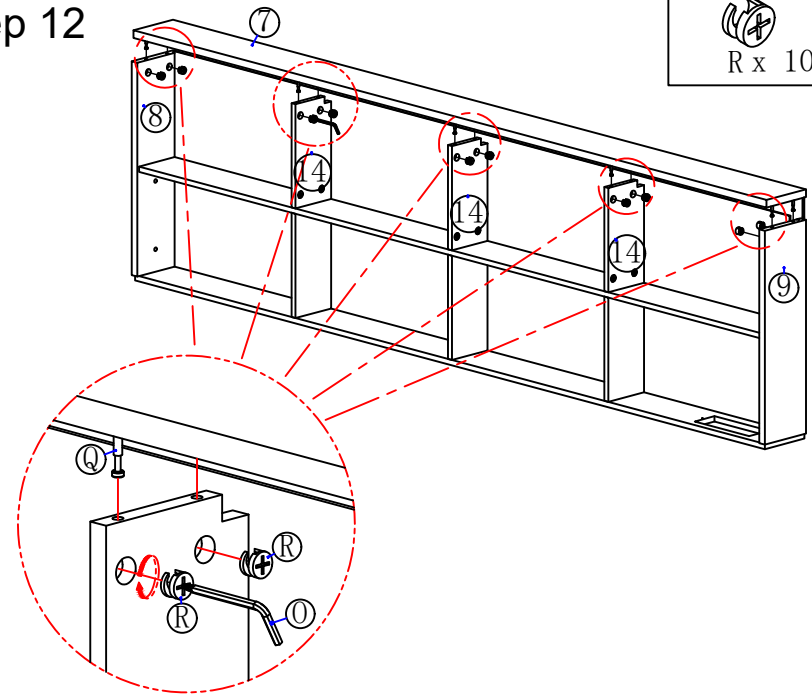
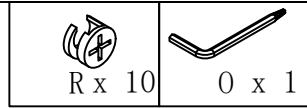
Step 10



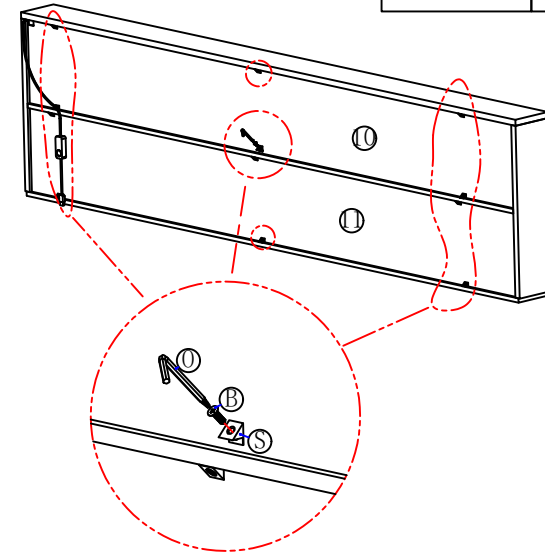
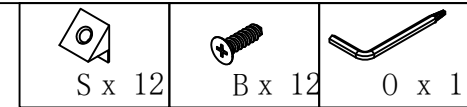
Step 11



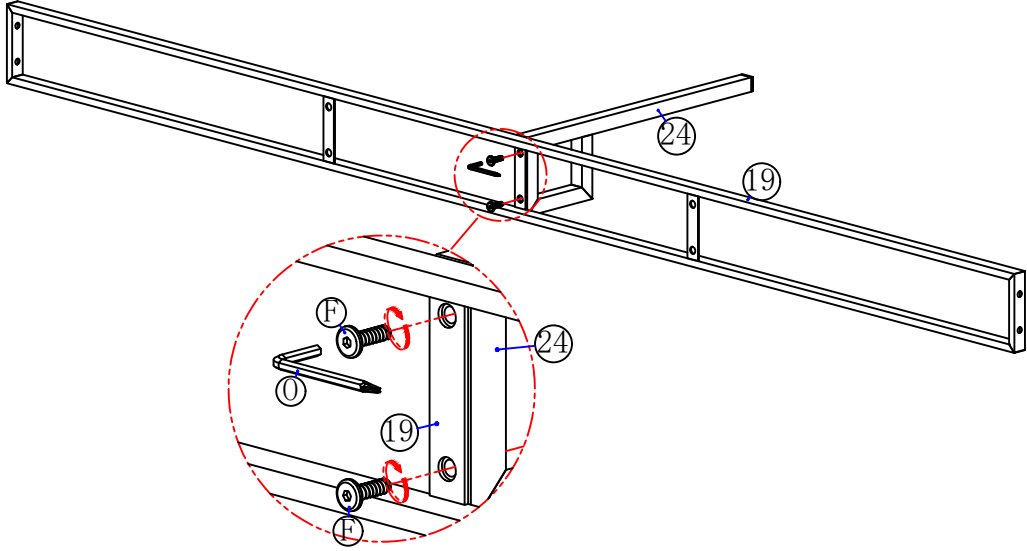
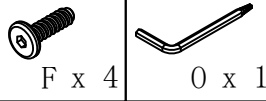
Step 12



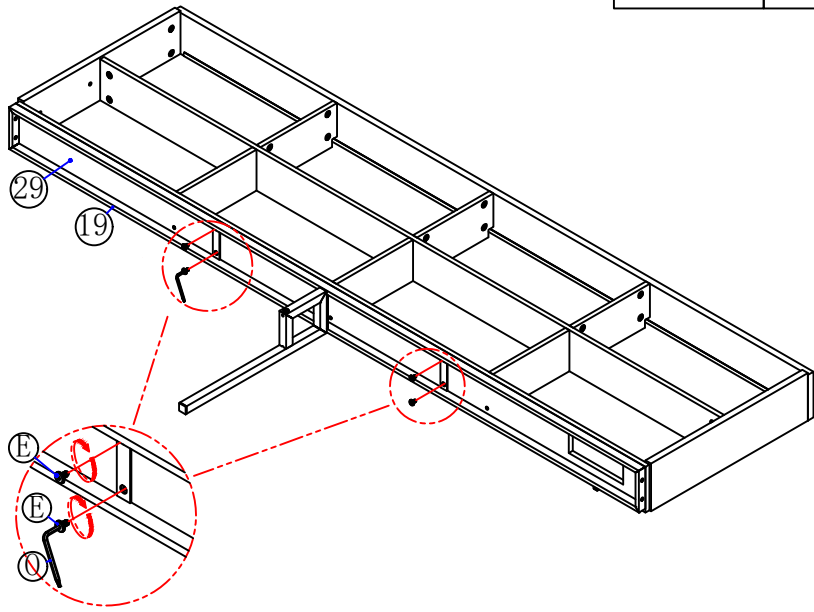
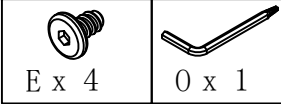
Step 13



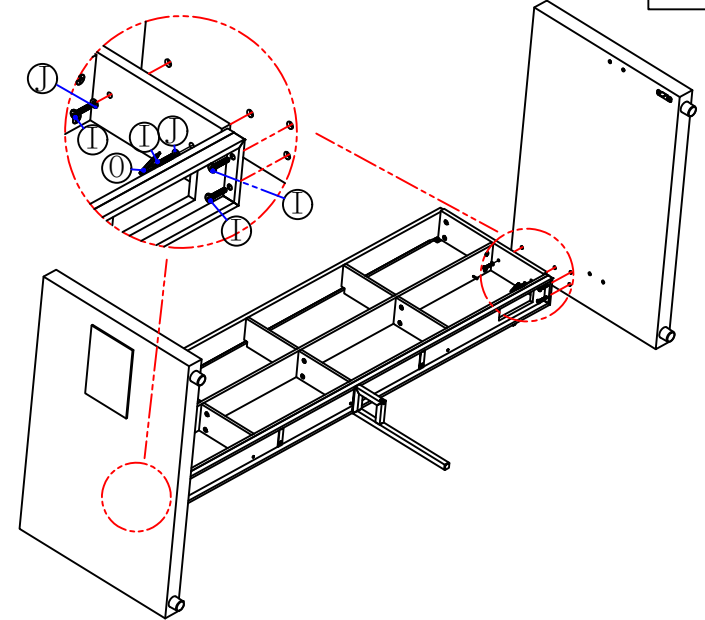
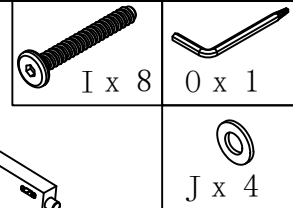
Step 14



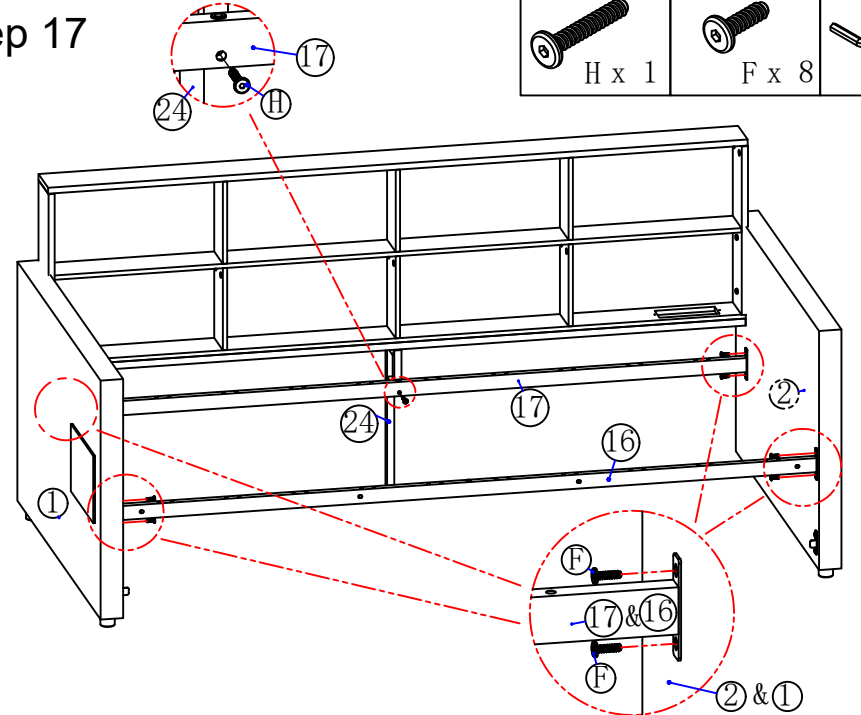
Step 15



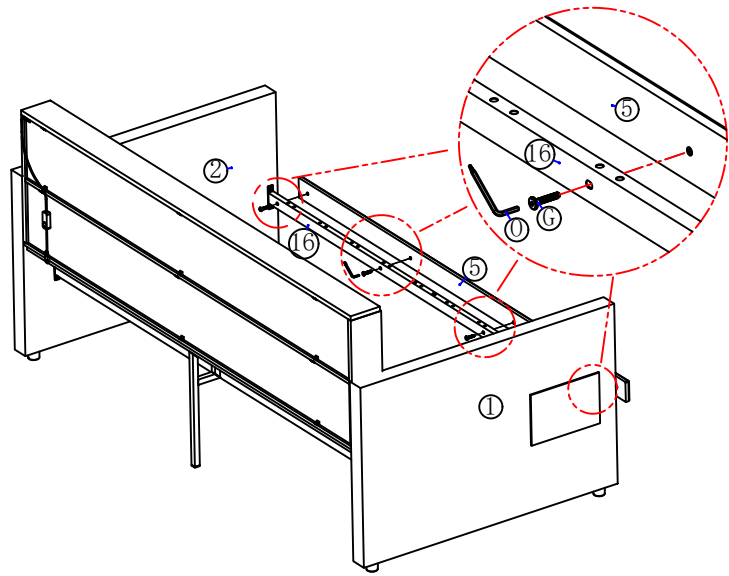
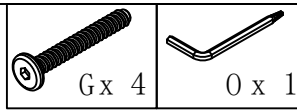
Step 16



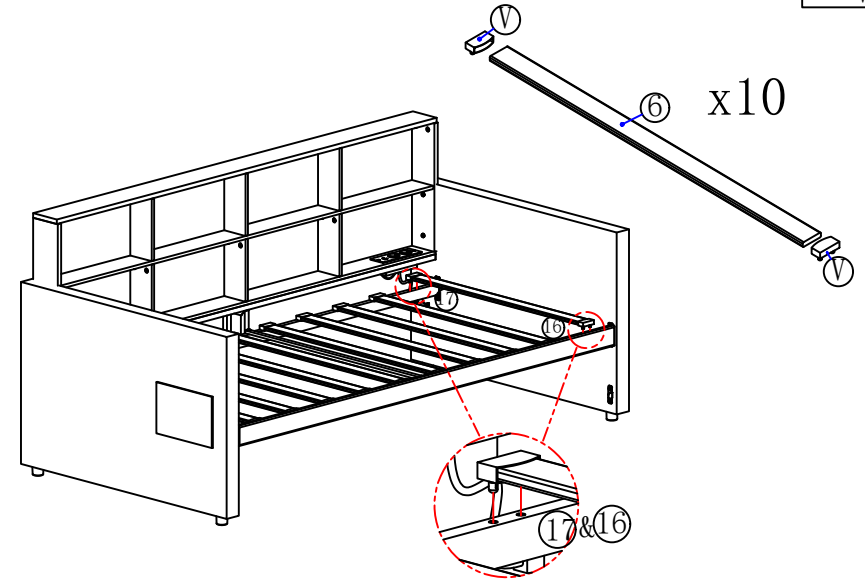
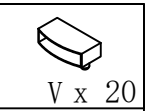
Step 17



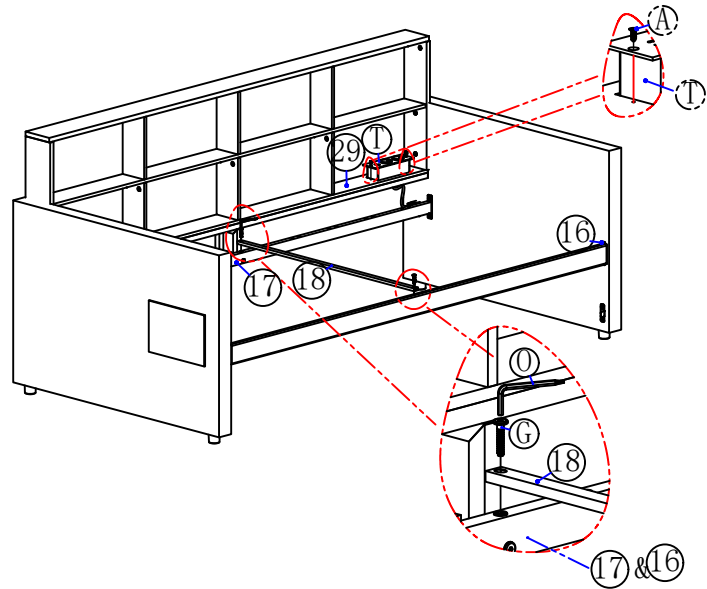
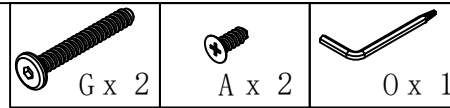
Step 18



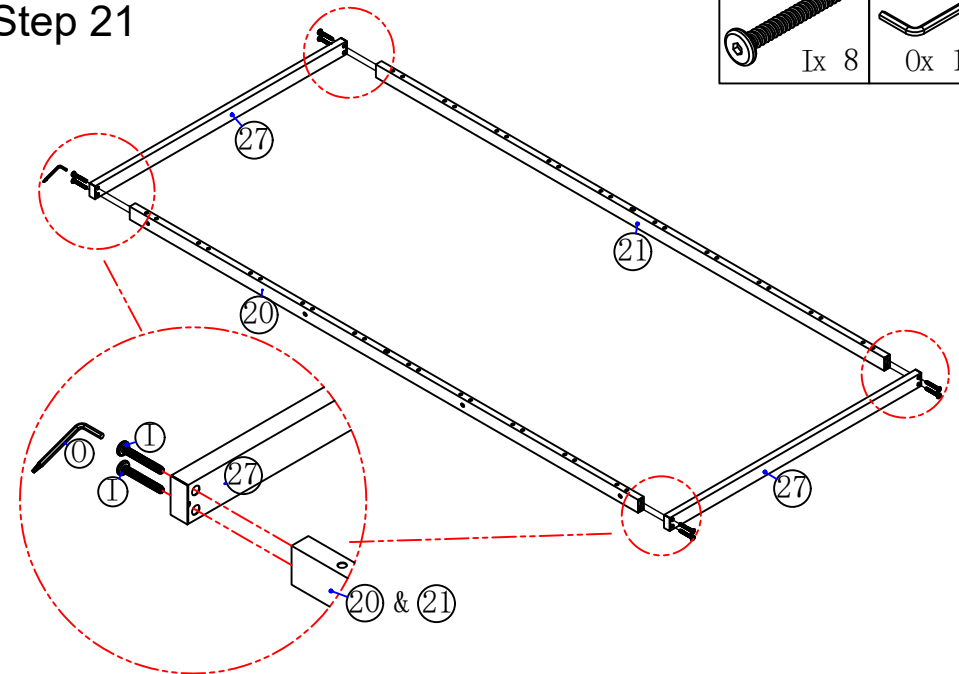
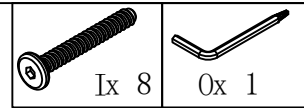
Step 20



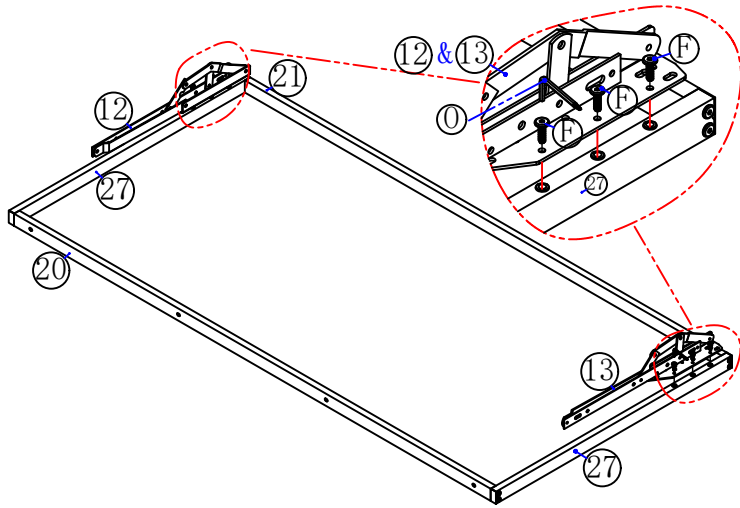
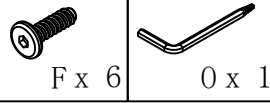
Step 19



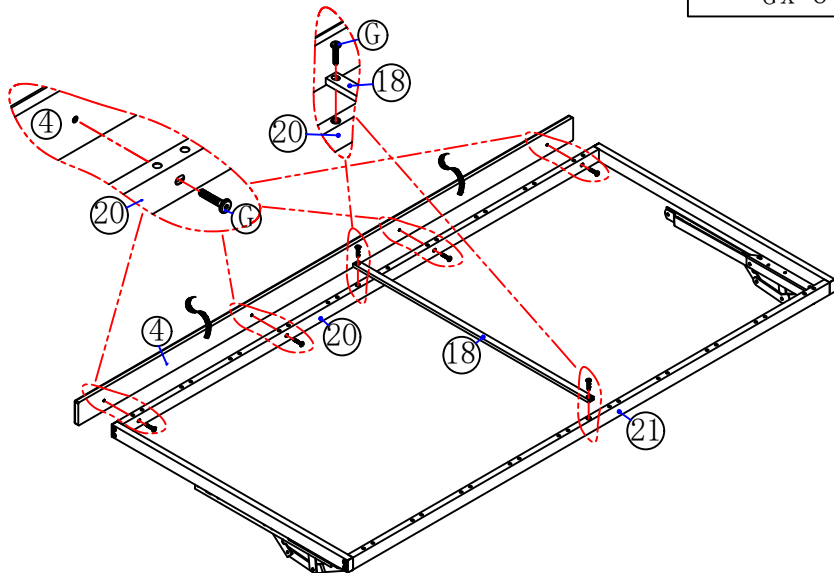
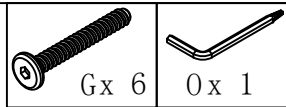
Step 21



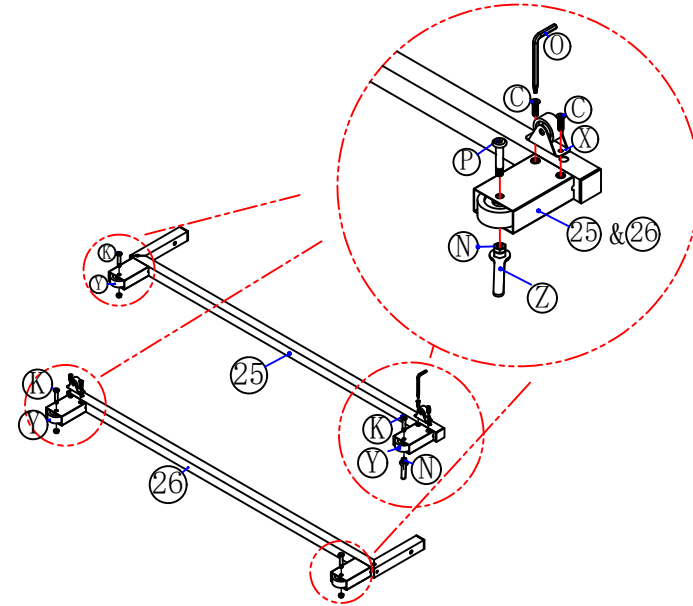
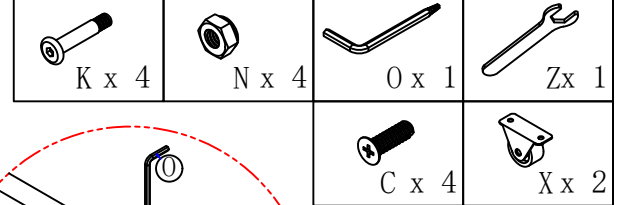
Step 22



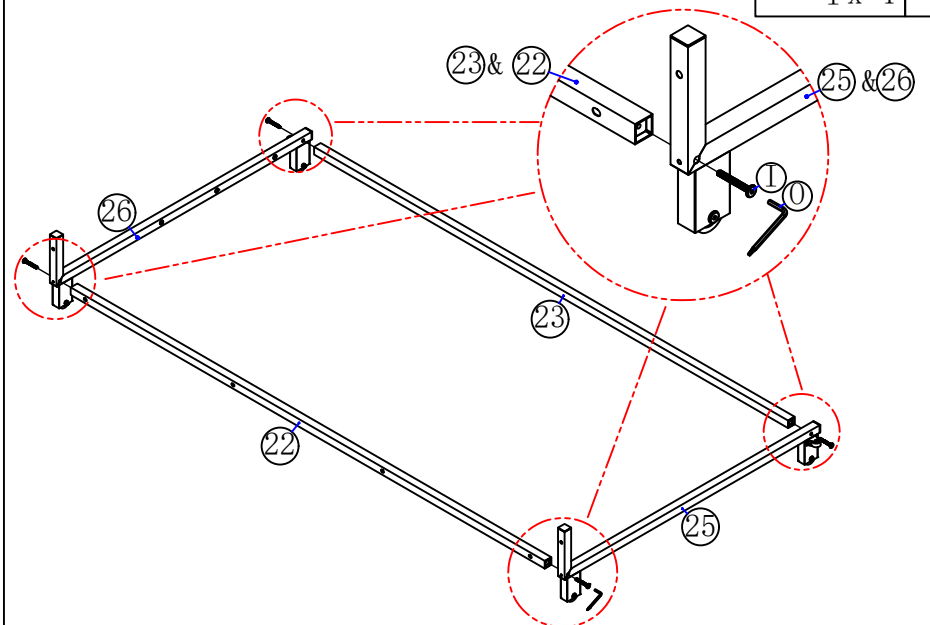
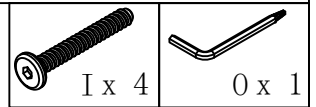
Step 23



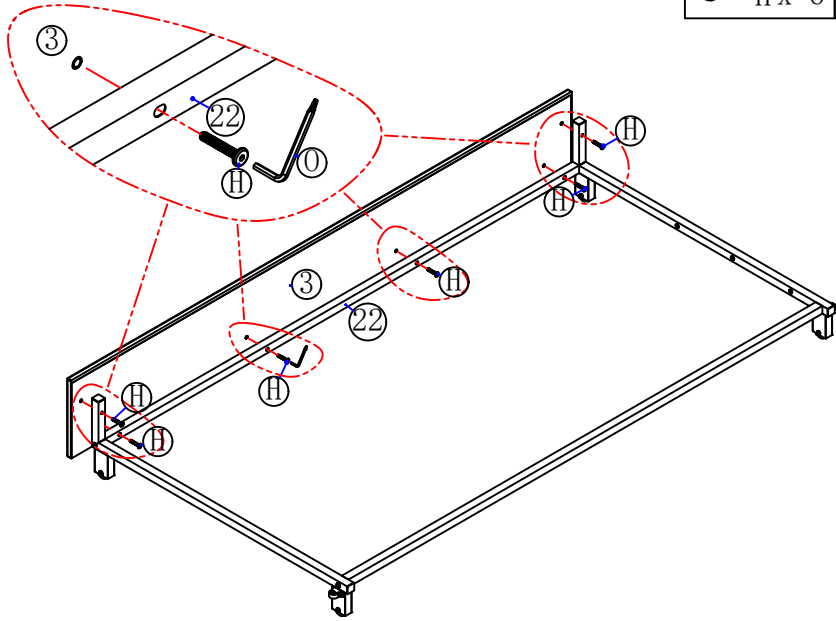
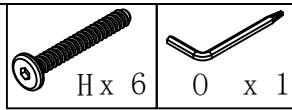
Step 24



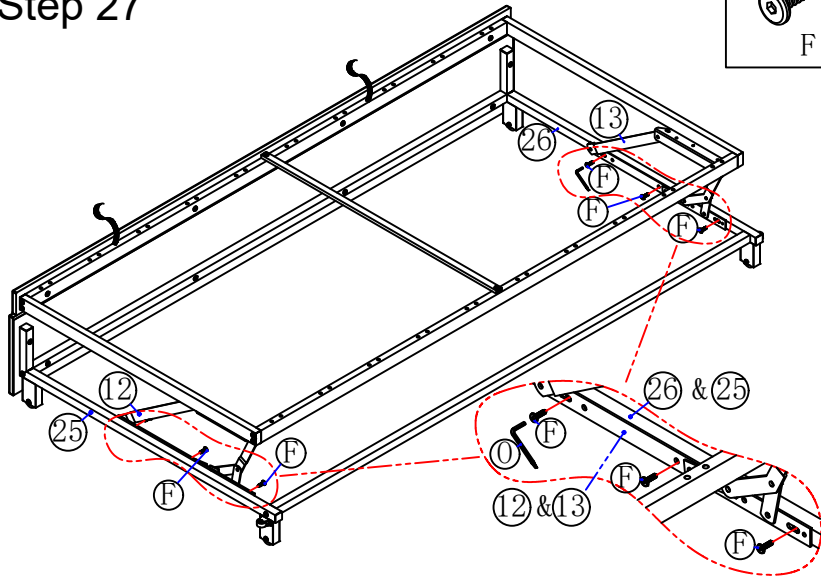
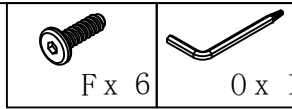
Step 25



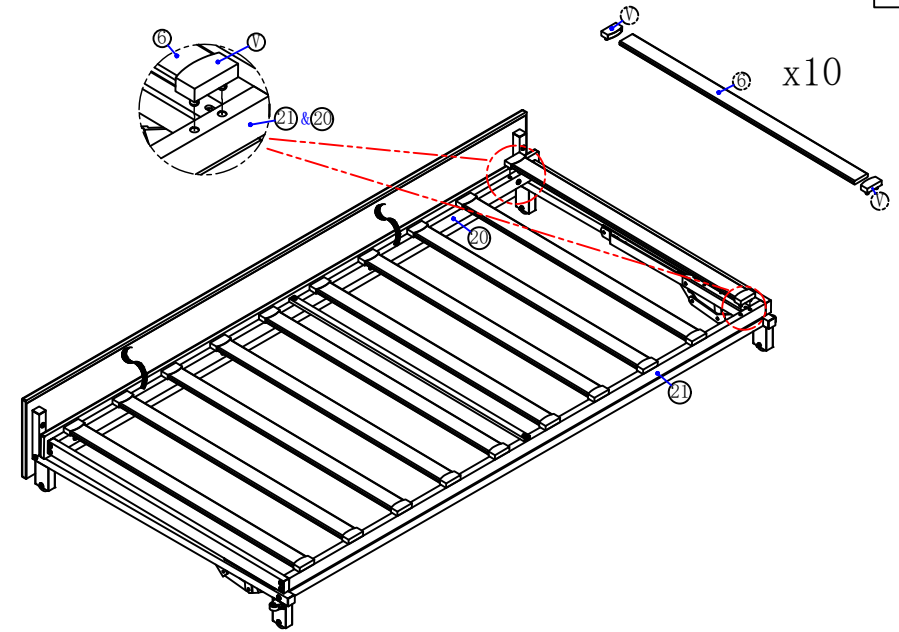
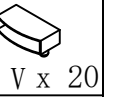
Step 26



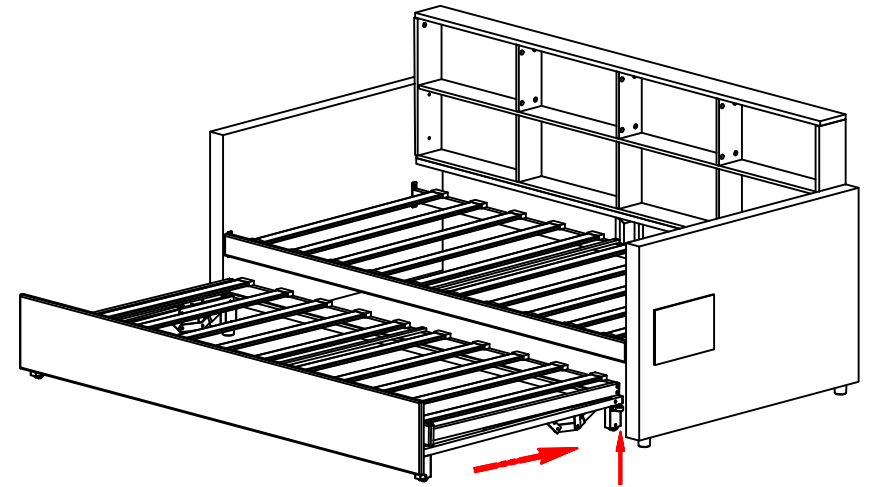
Step 27



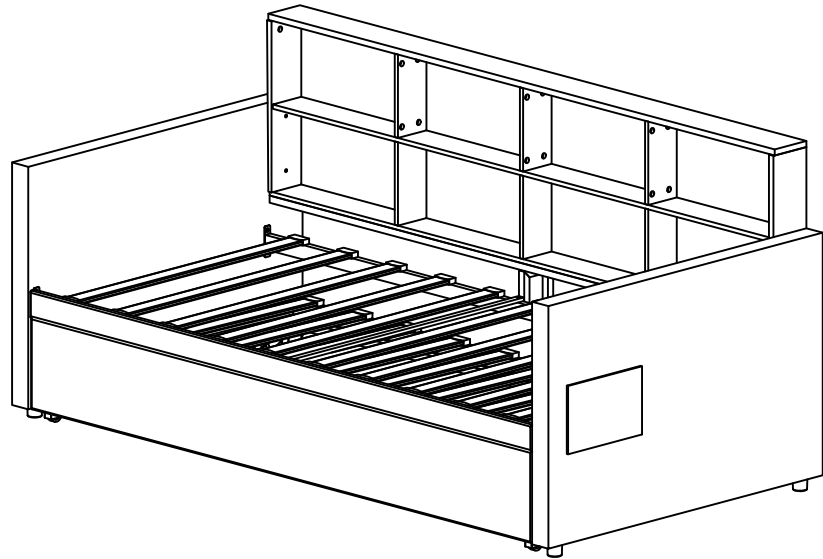
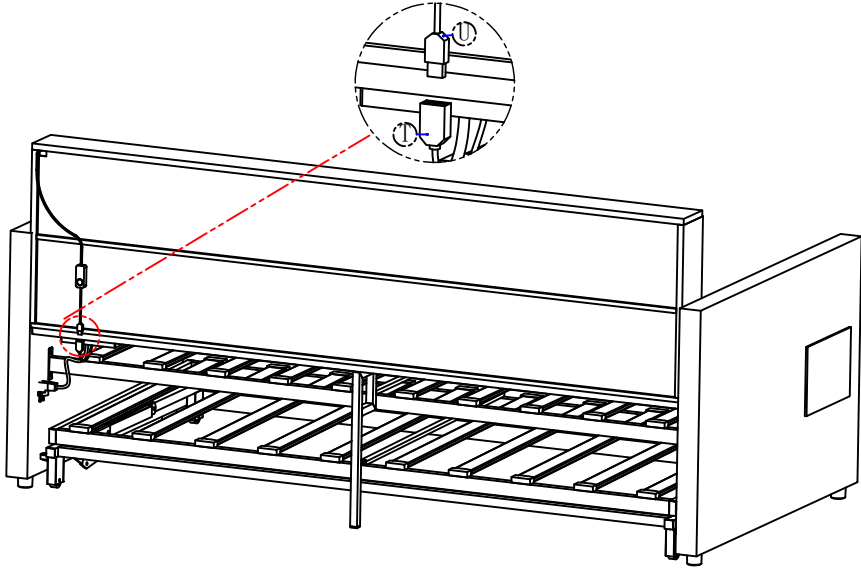
Step 28



Step 29



Step 30



CERTIFICATE OF COMPLIANCE

No.: AiTSZ-250710061C-C02

Product: 5050 RGB LED Strip Lights with Bluetooth App Controller
Trade Mark: N/A
Model: LED 5050 RGB
Applicant: Shenzhen Pinchengxin Technology Co., Ltd
Address: 3rd floor, 8 building Yuanling industrial zon, No. 39 Yuanlingcun road,Shiyan street, Bao'an district, Shenzhen
Manufacture: Shenzhen Pinchengxin Technology Co., Ltd
Address: 3rd floor, 8 building Yuanling industrial zon, No. 39 Yuanlingcun road,Shiyan street, Bao'an district, Shenzhen

The test sample of product has passed the test according to requirements of the following standards:

	Standard(s):	Test report(s) No.:
Article 3.1a)	EN 60598-2-4:2018 used in conjunction with EN IEC 60598-1:2021+A11:2022	AiTSZ-250710061S
	EN 62479: 2010	AiTSZ-250710061CW3
	EN 50663: 2017	
Article 3.1b)	ETSI EN 301 489-1 V2.2.3 (2019-11) ETSI EN 301 489-17 V3.2.4 (2020-09)	AiTSZ-250710061CW1
Article 3.2)	ETSI EN 300 328 V2.2.2 (2019-07)	AiTSZ-250710061CW2

Based on the voluntary assessment of the product sample and technical file, we confirm that the above-mentioned product meets the essential requirements of the Radio Equipment Directive (RED) 2014/53/EU.

The CE mark as show below can be used, under the responsibility of the manufacturer or the importer, after completion of an EC declaration of conformity and follow the CE mark usage rules.



Approved by/Date: Sean She Aug.07 2025
Sean She



The statement is based on a single evaluation of one sample of above mentioned products. It does not imply an assessment of the whole production and does not permit the use of the test lab's logo.

Guangdong Asia Hongke Test Technology Limited

B1/F, Building 11, Junfeng Industrial Park, Chongqing Road, Heping Community, Fuhai Street, Bao'an District, Shenzhen, Guangdong, China



www.aitek.org.cn
E-mail:info@aitek.org.cn

Certificate of Conformity

No.: LP24030331C02-02

The following products have been tested by us with the listed standards and found in compliance with the council EMC directive 2014/30/EU. It is demonstrative for the compliance with this EMC Directive.

Applicant : Dongguan Nanfan Electronic Technology Co., Ltd.
 Address : Room 202,NO.19, Wanbu Road, Changping Town 523586
 Dongguan Guangdong, China
 Product : Furniture Power Distribution Unit
 Model No. : NF-EUxAA-y, NF-EUxAC-y, NF-EUxAAC-y, NF-EUxACC-y
 ("x", "y" are variables, see page 4 of the test report for details.)
 Trade Mark: NANFAN
 Test Standards : EN 55032:2015+A11:2020+A1:2020
 EN 55035:2017+A11:2020
 EN IEC 61000-3-2:2019+A1:2021
 EN 61000-3-3:2013+A1:2019+A2:2021



Manager: Frank Shen
 Date: July 15, 2024

Dongguan Lepont Testing Service Co., Ltd.

Tel.: 86-769-83086888 Fax.: 86-769-83096886
 Room 102, Building 11, No.7, Houjie Science And Technology Avenue, Houjie, Dongguan,
 Guangdong, China

The statement is based on a single evaluation of one sample of above mentioned products. It does not imply an assessment of the whole production and does not permit the use of the test lab's logo.

Certificate of Conformity

No.: LP24030331C02-01

The following products have been tested by us with the listed standards and found in compliance with the council LVD directive 2014/35/EU. It is possible to use CE marking to demonstrative for the compliance with this LVD Directive.

Applicant : Dongguan Nanfan Electronic Technology Co., Ltd.
 Address : Room 202,NO.19, Wanbu Road, Changping Town 523586
 Dongguan Guangdong, China
 Product : Socket outlet (Furniture Power Distribution Unit)
 Trade Mark : N/A
 Model No. : NFxx-EUyy-16A/250Vz (x, y and z are variables , detail see test report)
 Rated Input : 250V~, 50/60Hz, 16A
 Rated Output: USB output ratings see test report
 Test Standards : DIN VDE 0620-1:2021 Plug and socket-outlets for household and similar purposes-Part 1: General
 EN IEC 62368-1:2020 Requirements on fixed socket-out Audio/video, information and communication technology equipment
 Part 1: Safety requirements






Manager: Haylen Li
 Date: May 31, 2024

Dongguan Lepont Testing Service Co., Ltd.

Tel.: 86-769-8308 6888 Fax.: 86-769-8309 6886
 Room 102, Building 11, No. 7, Houjie Science And Technology Avenue, Houjie, Dongguan, Guangdong, China

The statement is based on a single evaluation of one sample of above mentioned products. It does not imply an assessment of the whole production and does not permit the use of the test lab's logo.

  	Importeur	DECOBUS HANDEL GMBH		
	Address	Innungsstrasse 9,21244 Buchholz,Deutschland		
	Email/URL	https://www.decobusgroup.de		
	Hersteller	DongGuanNanFanElectronic Technology Co:LT		
	Address	No. 19, Wanbu Road, Qiaoli village, ChangpingTown, Dongguan City,Guangdong Province		
	Partienummer	2025-10		
	Hergestellt in China			
	<table border="1"> <tr> <td>EC</td> <td>REP</td> </tr> </table>	EC	REP	DECOBUS HANDEL GMBH
		EC	REP	
		Innungsstrasse 9,21244 Buchholz,Deutschland		
https://www.decobusgroup.de				