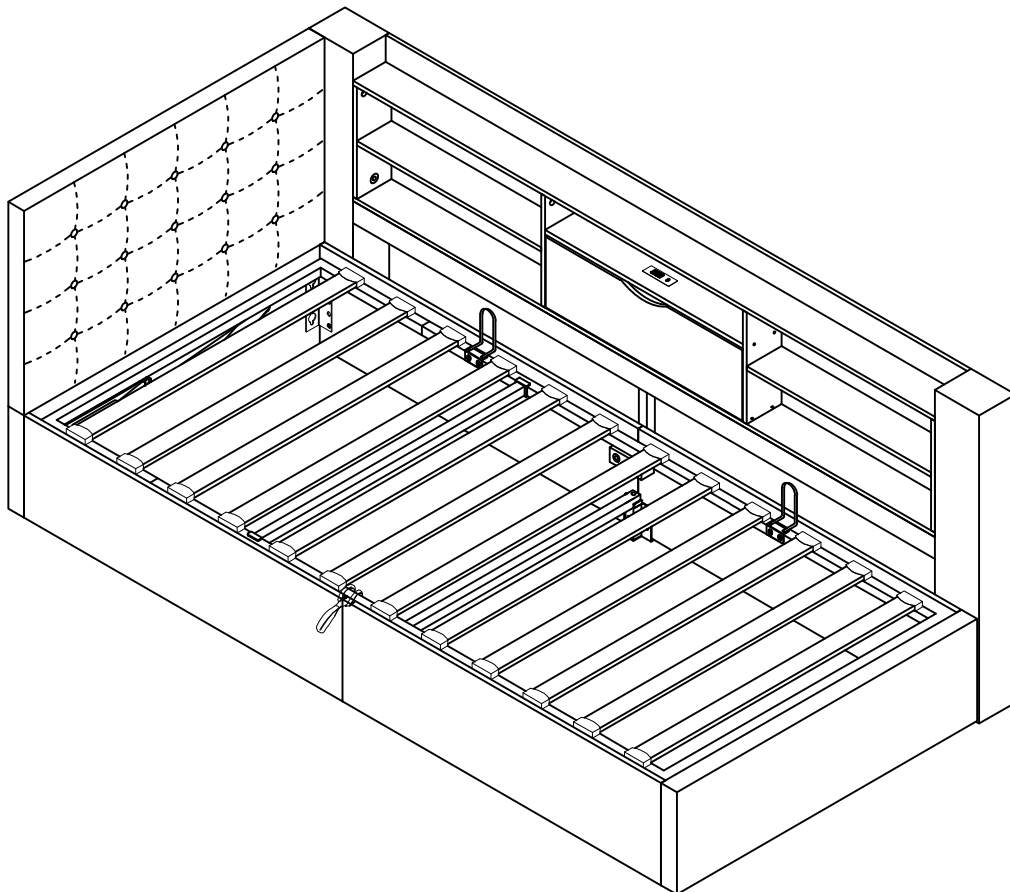


Montageanleitung | Instructions de montage Assembly Instructions | Instrucciones de montaje

SKU NUMBER: N616P374690 N616P374691

N616P374692 N616P374693



GB This set comes in 2 boxes. If you do not receive a full set of 2 boxes, please contact our customer service.

DE Dieses Set wird in 2 Schachteln geliefert. Wenn Sie nicht ein komplettes Set von 2 Boxen erhalten, kontaktieren Sie bitte unseren Kundenservice.

FR Ce set est livré en 2 boîtes. Si vous ne recevez pas un jeu complet de 2 boîtes, veuillez contacter notre service clientèle.



FR

Cet appareil,
ses cordons,
et batterie
se recyclent

À DÉPOSER
EN MAGASIN



OU

À DÉPOSER
EN DÉCHÈTERIE



Points de collecte sur www.quefairedemesdechets.fr
Privilégiez la réparation ou le don de votre appareil !

English

IMPORTANT FOR GAS LIFT BEDS&MAINTAINCE

- Please place the mattress on top of the bed frame.
- Please do not pull on the strap handles.
- Please press heavily to release the compressed gas.
- Periodically check all screw & fixings to ensure they are secure.
- When moving your product, carefully lift into place.
- Wipe clean with a slightly damp cloth- please do not use abrasive chemicals or bleach.
- Do NOT allow children to operate the lift mechanism.
- Do NOT allow children near the lift base when operating the mechanism.
- Do NOT stand inside the bed or the internal storage base.
- Do NOT overload the internal storage base.
- DO NOT jump on the product or any of its parts.

Deutsch

WICHTIG FÜR GASLIFT-BETTEN&WARTUNG

- Bitte legen Sie die Matratze oben auf den Bettrahmen.
- Bitte ziehen Sie nicht an den Gurtgriffen.
- Bitte drücken Sie kräftig, um das komprimierte Gas freizusetzen.
- Überprüfen Sie regelmäßig alle Schrauben und Befestigungen, um sicherzustellen, dass sie sicher sind.
- Wenn Sie Ihr Produkt bewegen, heben Sie es vorsichtig an seinen Platz.
- Mit einem leicht feuchten Tuch abwischen - bitte keine scheuernden Chemikalien oder Bleichmittel verwenden.
- Erlauben Sie Kindern NICHT, den Hebemechanismus zu bedienen.
- Lassen Sie Kinder NICHT in die Nähe des Liftsockels, wenn Sie den Mechanismus bedienen.
- Stellen Sie sich NICHT in das Bett oder in die Innenablage.
- Überlasten Sie den internen Liftsockel NICHT.
- Springen Sie NICHT auf das Produkt oder eines seiner Teile.

Français

IMPORTANT POUR LES LITS À RELEVAGE DE GAZ&MAINTENANCE

- Veuillez placer le matelas sur le dessus du cadre de lit.
- Ne tirez pas sur les poignées de la sangle.
- Appuyez fortement pour libérer le gaz comprimé.
- Vérifiez régulièrement que toutes les vis et fixations sont bien en place.
- Lorsque vous déplacez votre produit, soulevez-le avec précaution pour le mettre en place.
- Nettoyez avec un chiffon légèrement humide - n'utilisez pas de produits chimiques abrasifs ou d'eau de Javel.
- Ne laissez pas les enfants utiliser le mécanisme de levage.
- Ne laissez pas les enfants s'approcher de la base de levage lorsqu'ils actionnent le mécanisme.
- Ne vous tenez PAS à l'intérieur du lit ou de la base de stockage interne.
- Ne surchargez pas la base de stockage interne.
- Ne pas sauter sur le produit ou l'une de ses parties.

Italiano

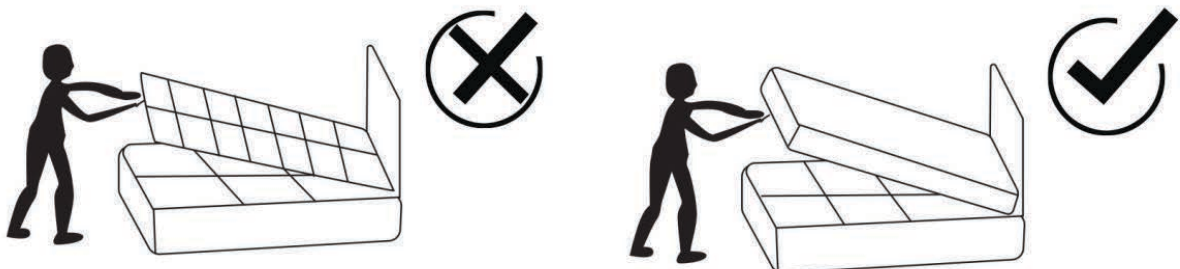
IMPORTANTE PER I LETTI CON SOLLEVAMENTO A GAS E LA MANUTENZIONE

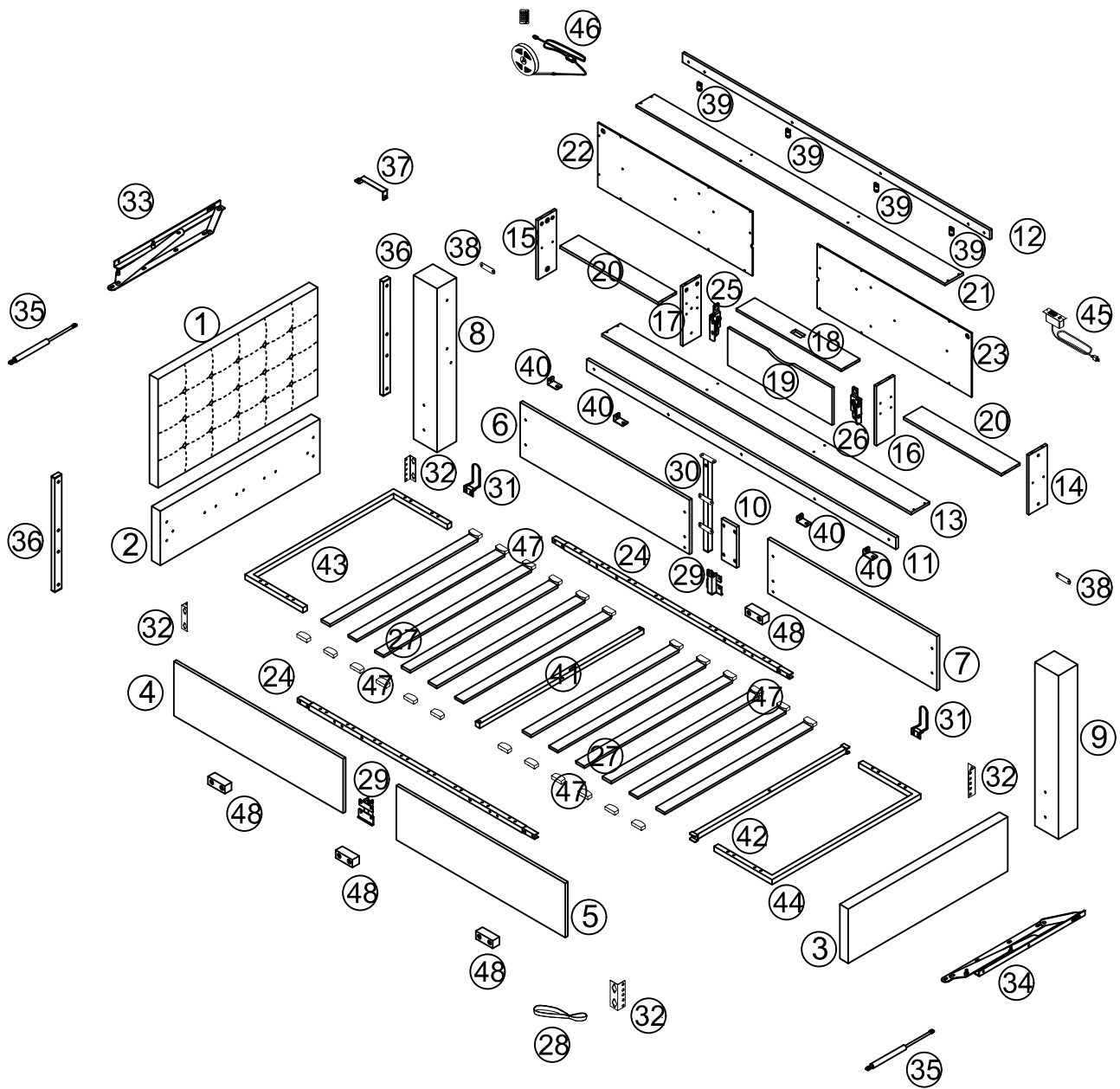
- Posizionare il materasso sopra la struttura del letto.
- Non tirare le maniglie della cinghia.
- Premere con forza per rilasciare il gas compresso.
- Controllare periodicamente tutte le viti e i fissaggi per assicurarsi che siano saldi.
- Quando si sposta il prodotto, sollevarlo con cautela.
- Pulire con un panno leggermente umido, senza usare prodotti chimici abrasivi o candeggina.
- NON permettere ai bambini di azionare il meccanismo di sollevamento.
- NON permettere ai bambini di avvicinarsi alla base di sollevamento quando si aziona il meccanismo.
- NON sostare all'interno del letto o della base di contenimento interna.
- NON sovraccaricare la base di contenimento interna.
- NON saltare sul prodotto o sulle sue parti.

Español

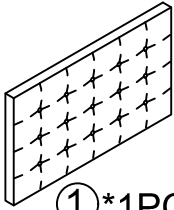
IMPORTANTE PARA LAS CAMAS ELEVADORAS DE GAS&MANTENIMIENTO

- Coloque el colchón sobre el somier.
- No tire de las asas de la correa.
- Presione con fuerza para liberar el gas comprimido.
- Compruebe periódicamente que todos los tornillos y fijaciones estén bien sujetos.
- Al mover el producto, levántelo con cuidado para colocarlo en su sitio.
- Limpie con un paño ligeramente humedecido; no utilice productos químicos abrasivos ni lejía.
- NO permita que los niños accionen el mecanismo de elevación.
- NO permita que los niños se acerquen a la base elevadora cuando accionen el mecanismo.
- NO se ponga de pie dentro de la cama o de la base de almacenamiento interna.
- NO sobrecargue el somier.
- NO salte sobre el producto ni sobre ninguna de sus piezas.





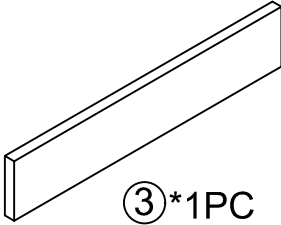
N616P374690/92



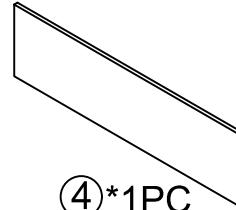
①*1PC



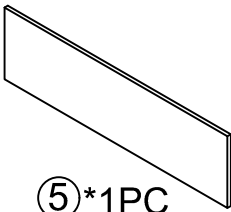
②*1PC



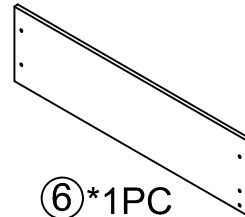
③*1PC



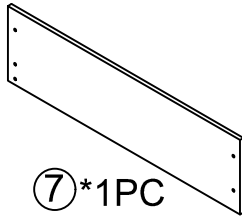
④*1PC



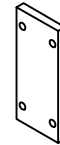
⑤*1PC



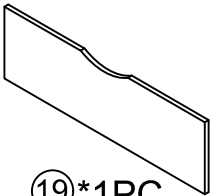
⑥*1PC



⑦*1PC



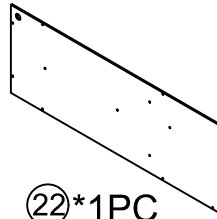
⑩*1PC



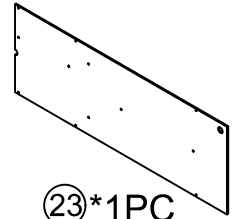
⑱*1PC



⑳*2PCS



㉒*1PC



㉓*1PC



㉕*1PC



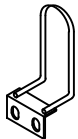
㉖*1PC



㉘*1PC



㉙*2PCS



㉑*2PCS



㉒*4PCS



㉗*1PC



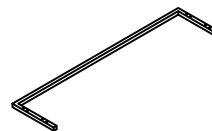
㉘*2PCS



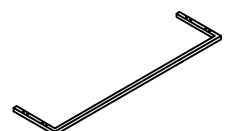
㉙*4PCS



㉚*4PCS

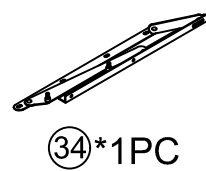
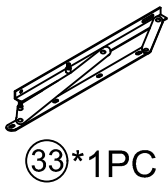
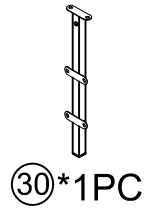
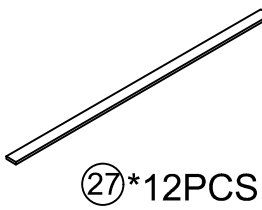
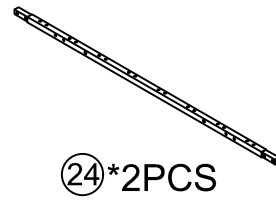
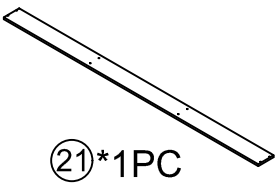
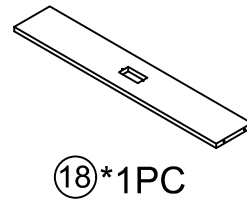
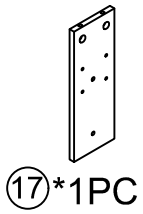
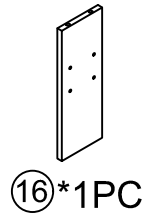
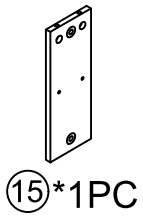
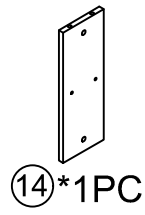
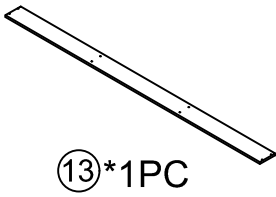
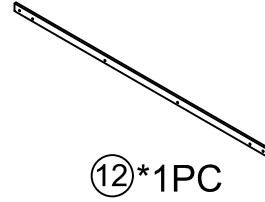
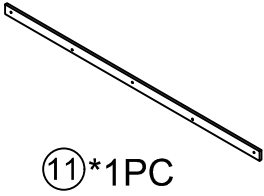
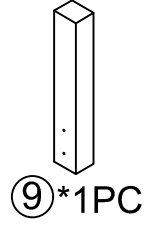
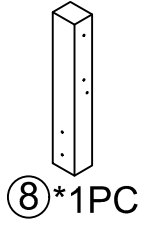


㉛*1PC

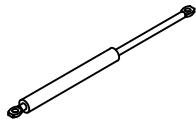


㉜*1PC

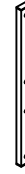
N616P374691/93



N616P374691/93



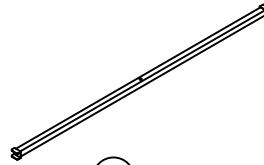
③⑤*2PCS



③⑥*2PCS

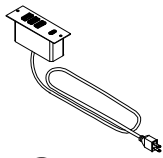


④①*1PC

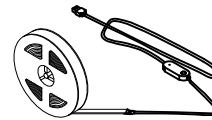


④②*1PC

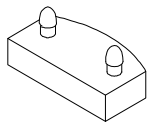
N616P374690/92



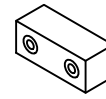
④⑤*1PC



④⑥*1PC

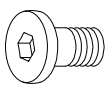


④⑦*24PCS

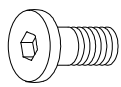


④⑧*4PCS

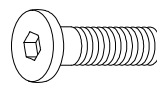
Hardware List-Hardwareliste N616P374690/92



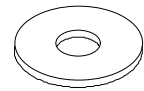
M8×12 mm
A*18PCS



M8×16 mm
B*56PCS



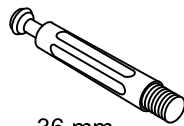
M8×40 mm
C*33PCS



Ø8×22 mm
D*12PCS



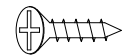
M5×40 mm
E*48PCS



36 mm
F*8PCS



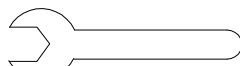
Ø15 mm
G*8PCS



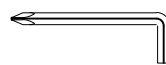
M3×15 mm
H*2PCS



M8
I*4PCS



M8 Spanner
J*1PC

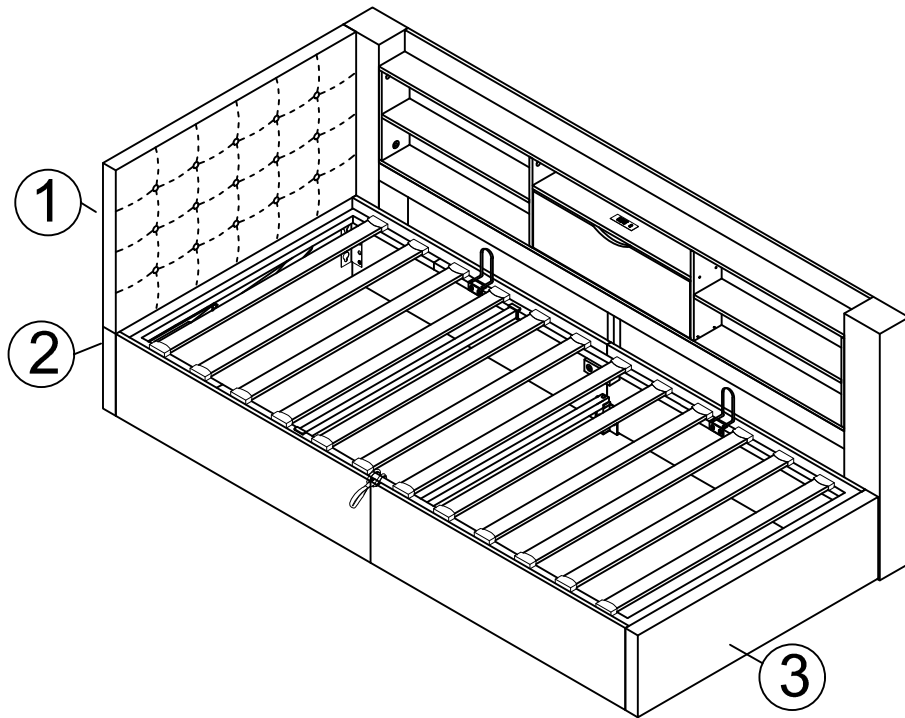


S5
K*1PC

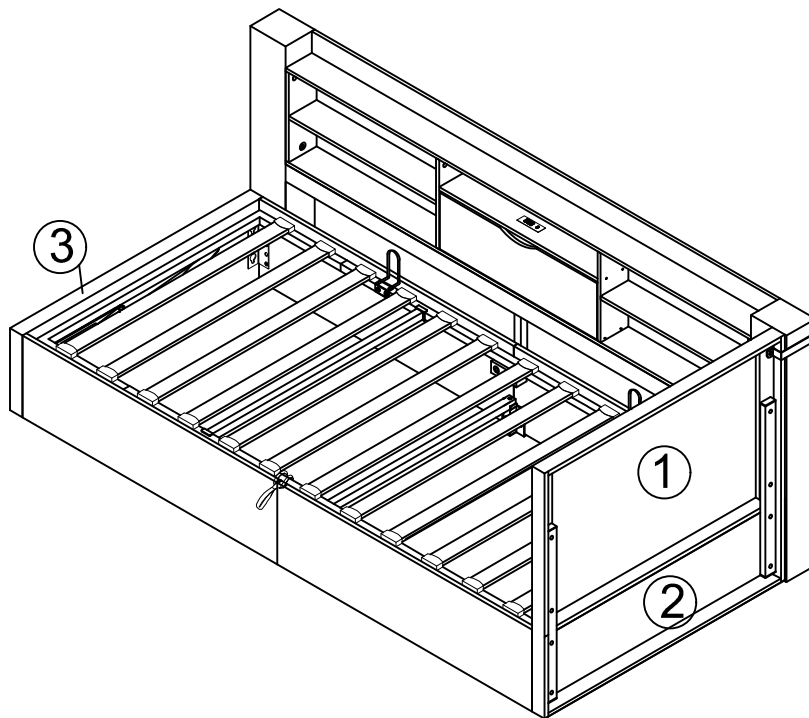


S3
L*1PC

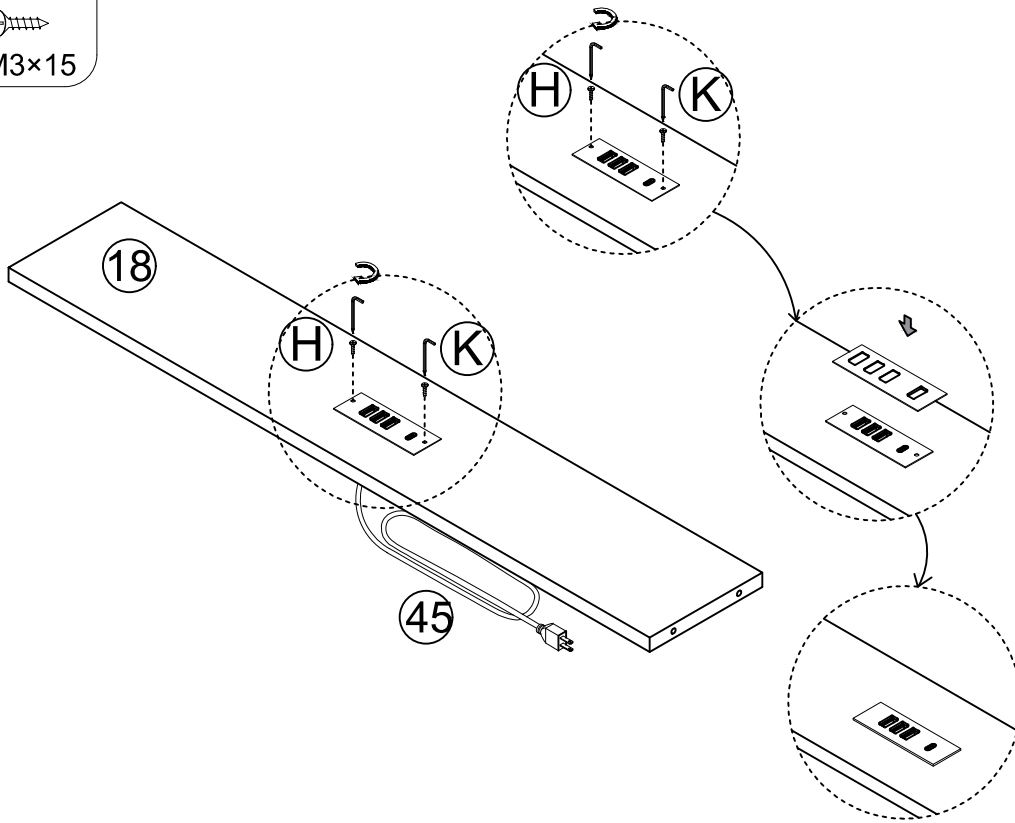
L:



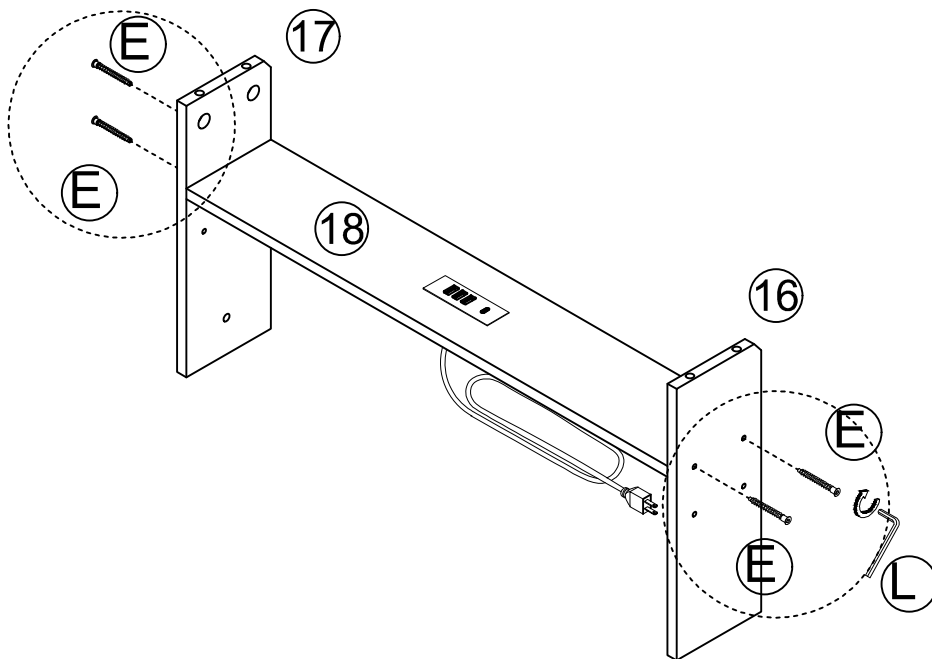
R:



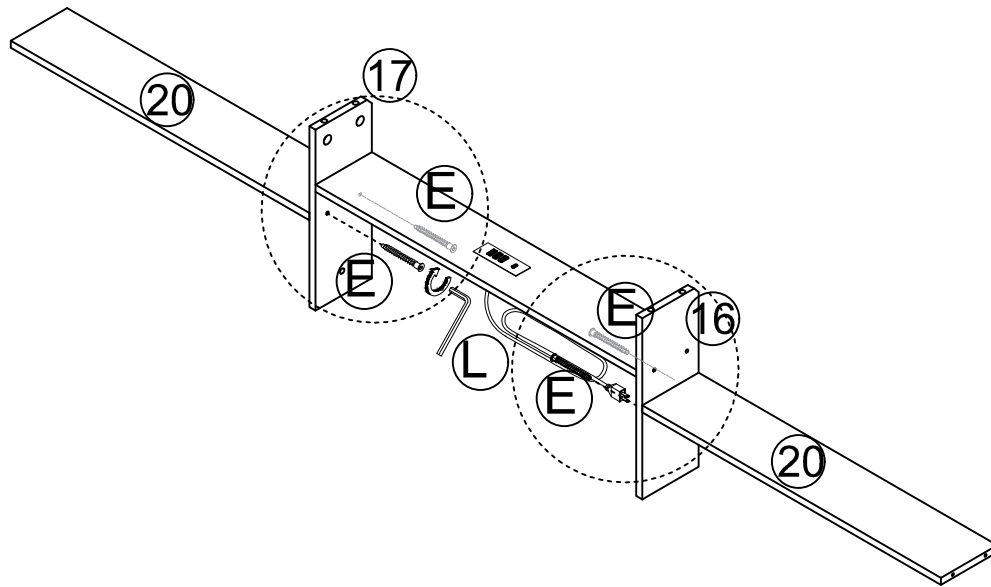
1 H*2
M3×15



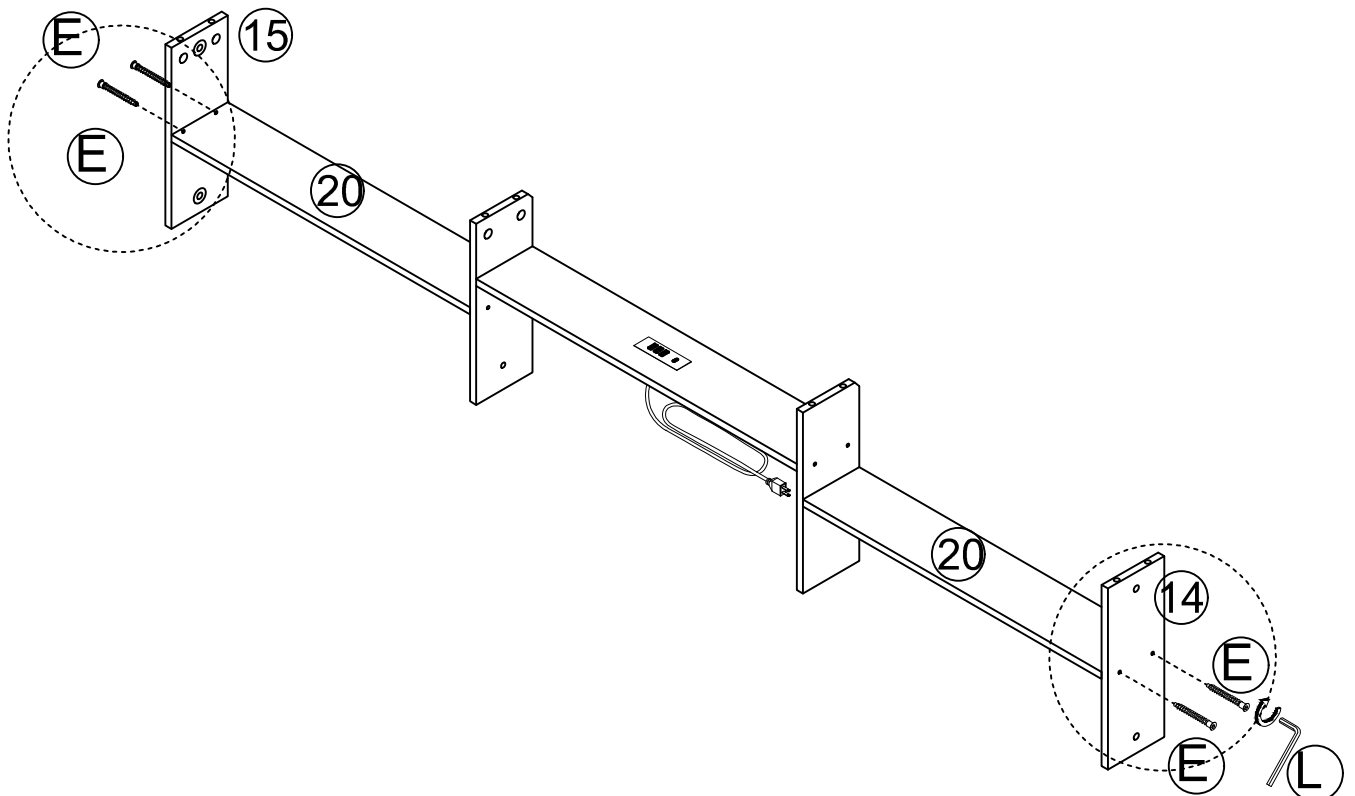
2 E*4
M5×40



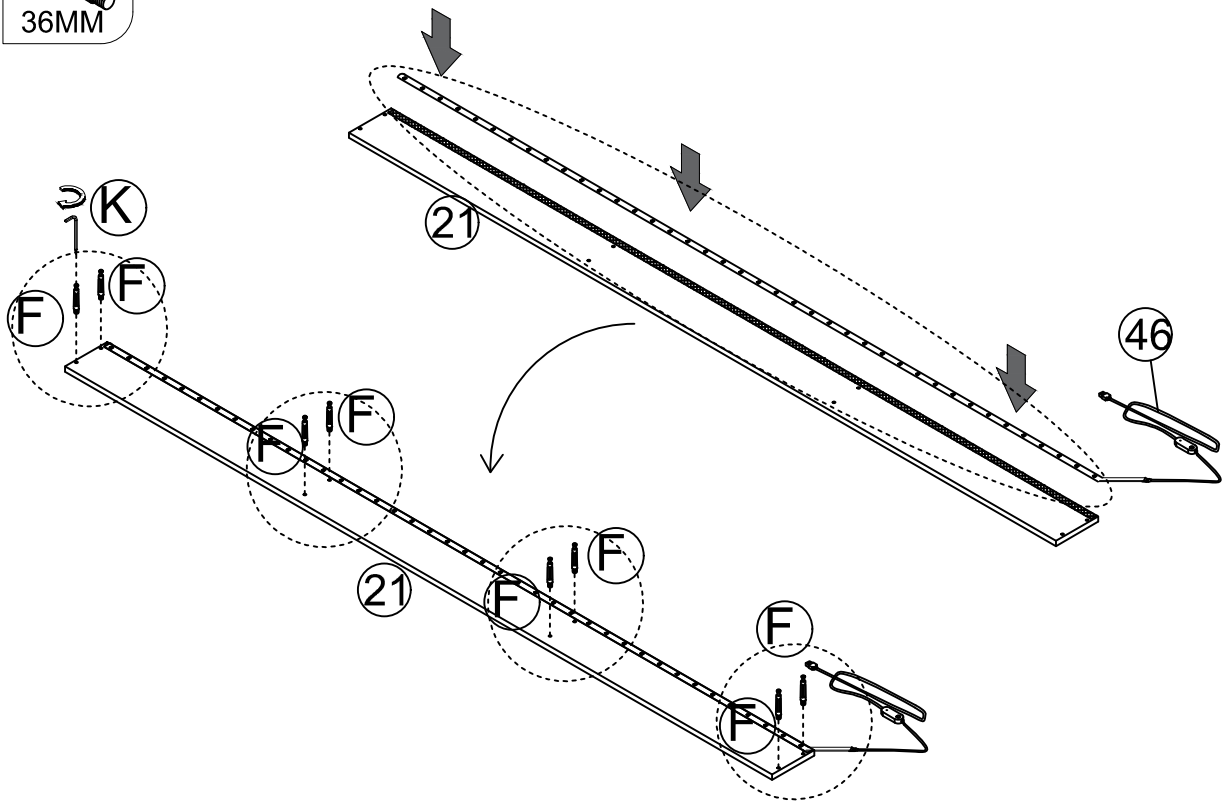
3 E*4
M5×40



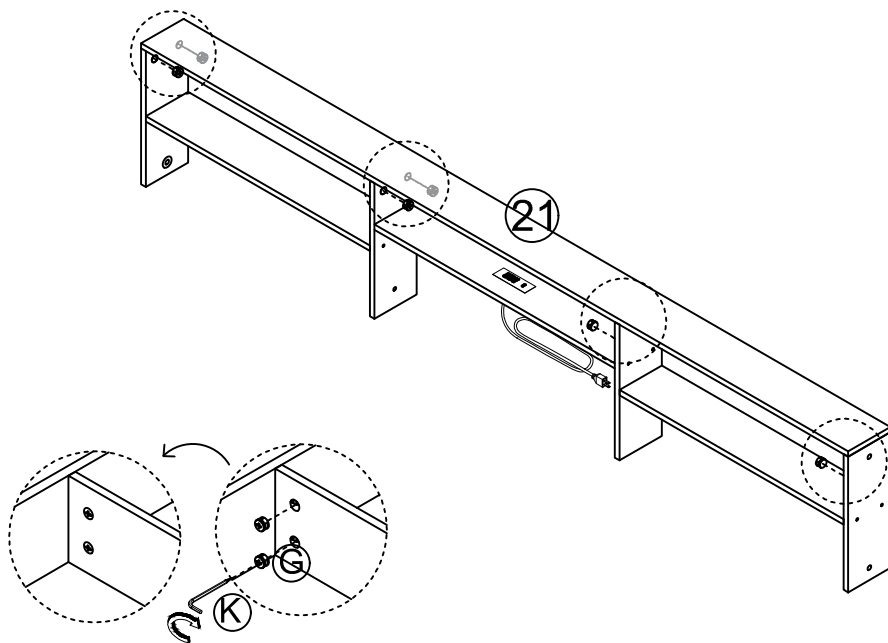
4 E*4
M5×40



5 F*8
36MM



6 G*8
Ø15MM

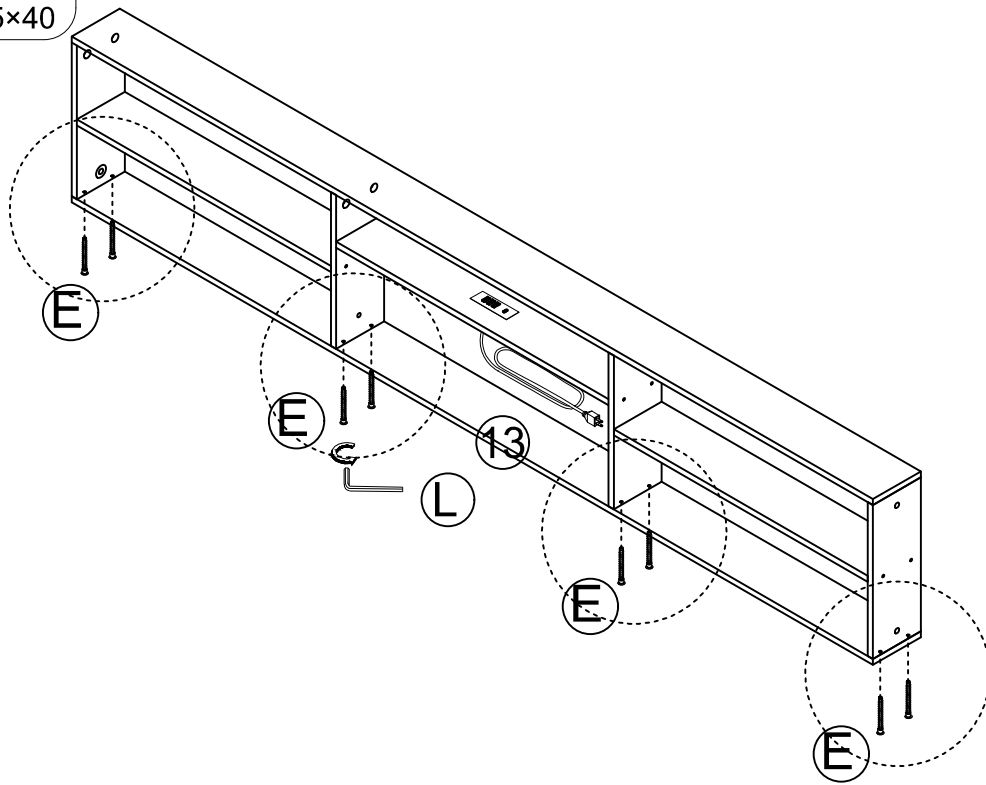


7

E*8



M5×40

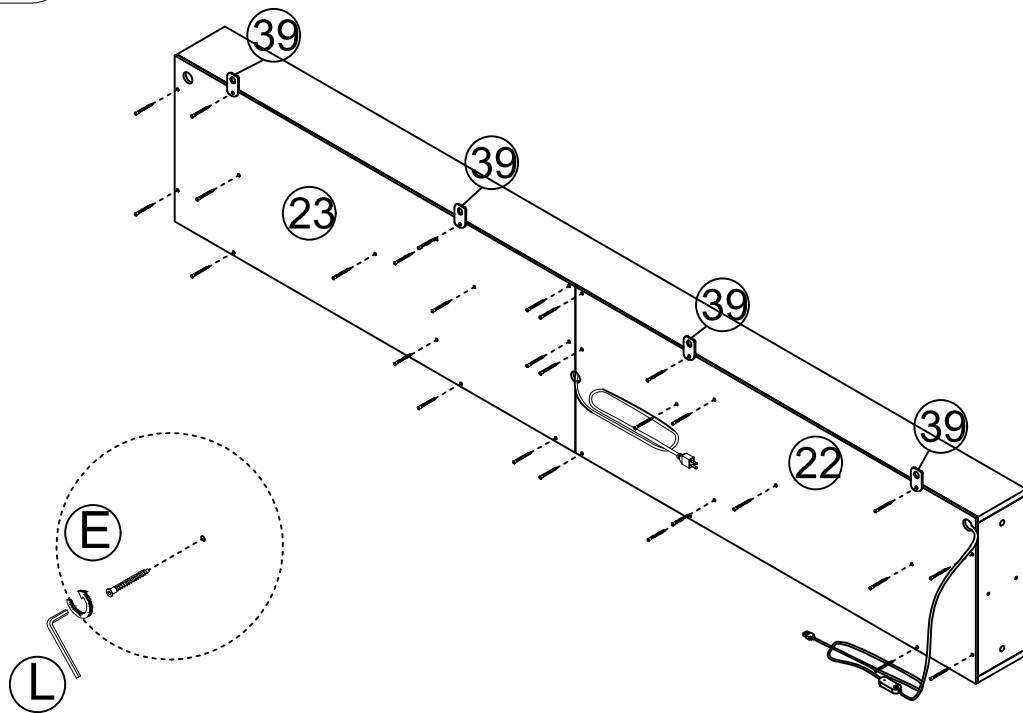


8

E*28



M5×40

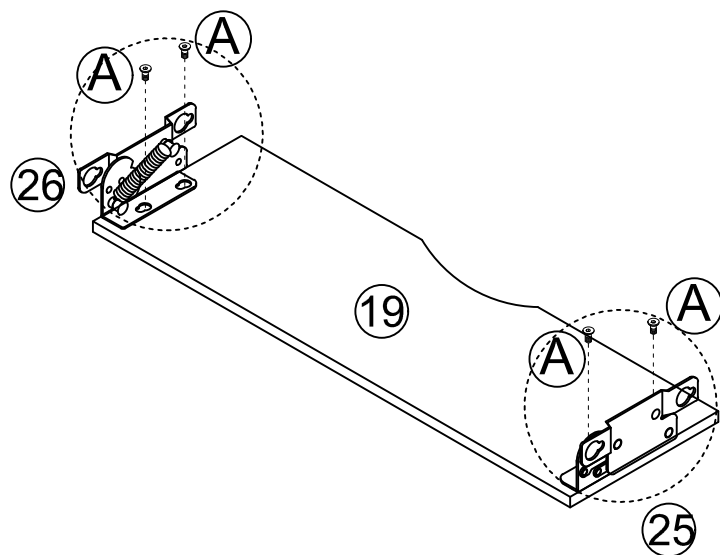


9

A*4



M8x12

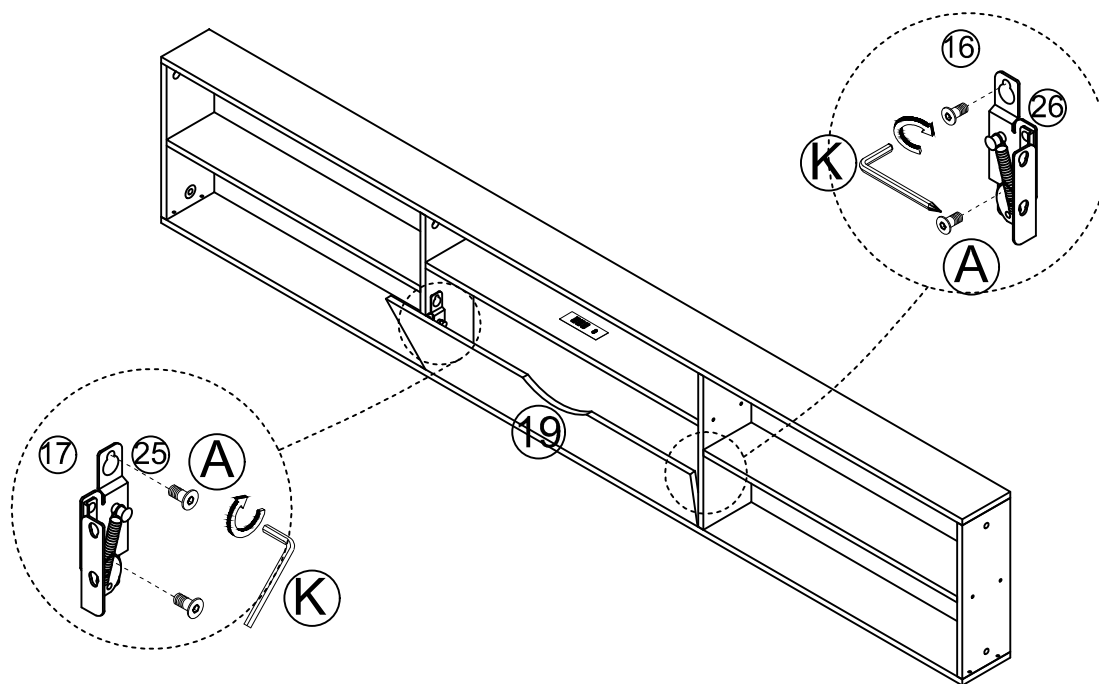


10

A*4

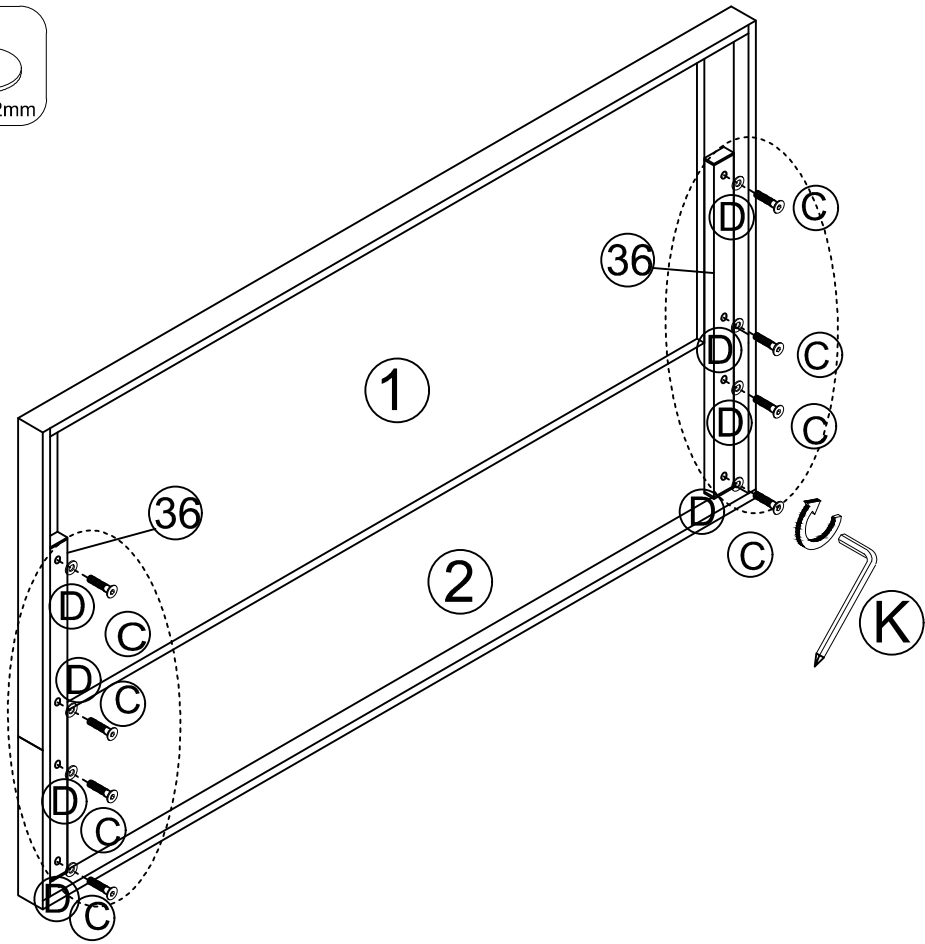


M8x12



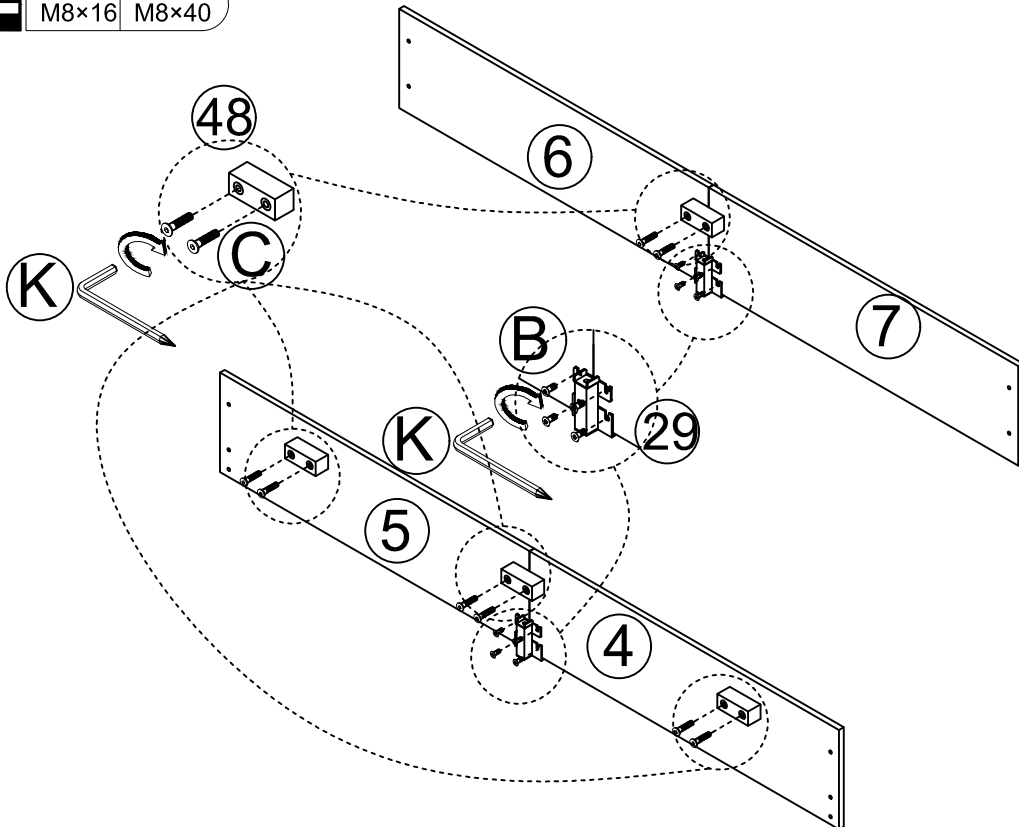
11

C*8 D*8
M8×40 Ø8×22mm



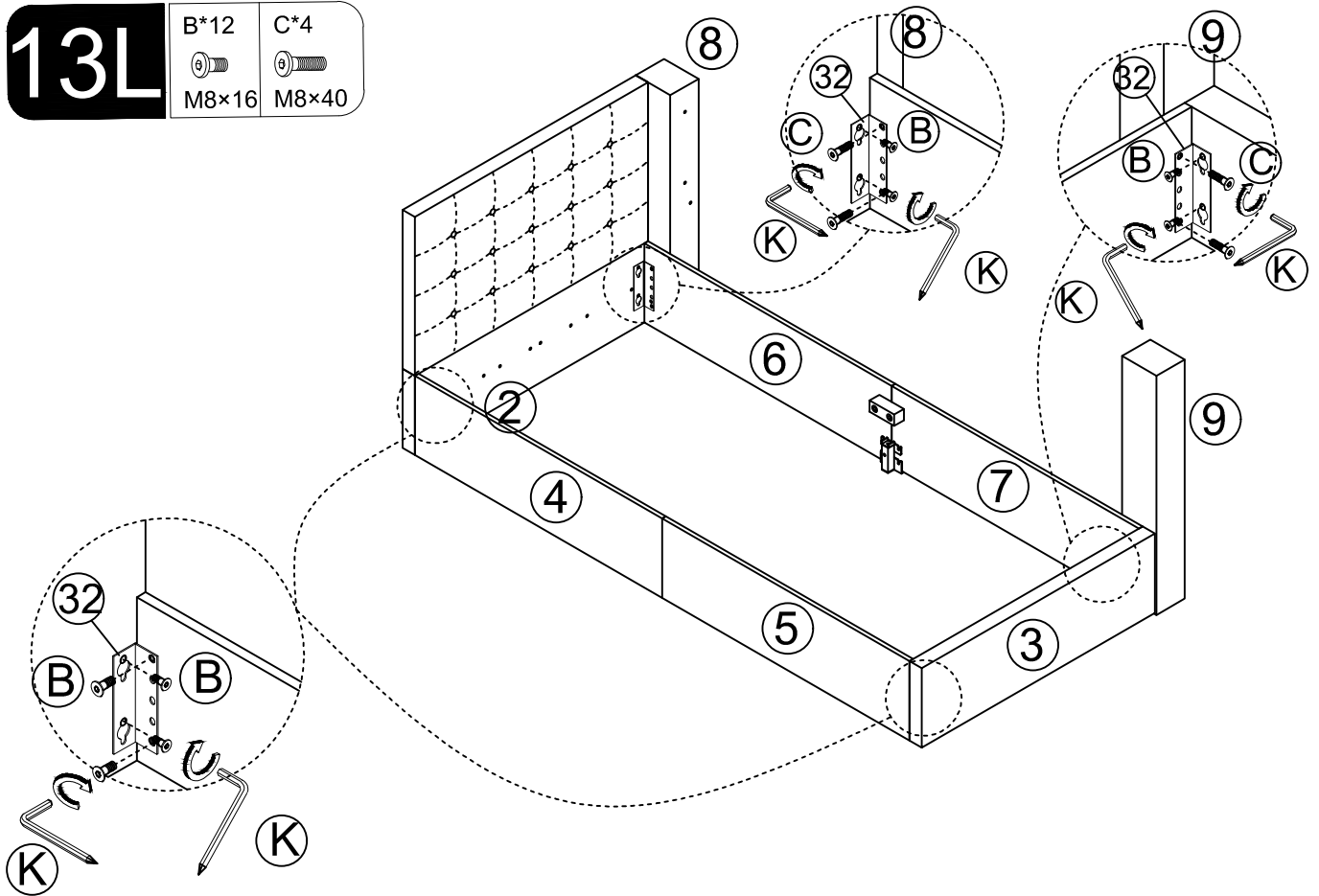
12

B*8 C*8
M8×16 M8×40



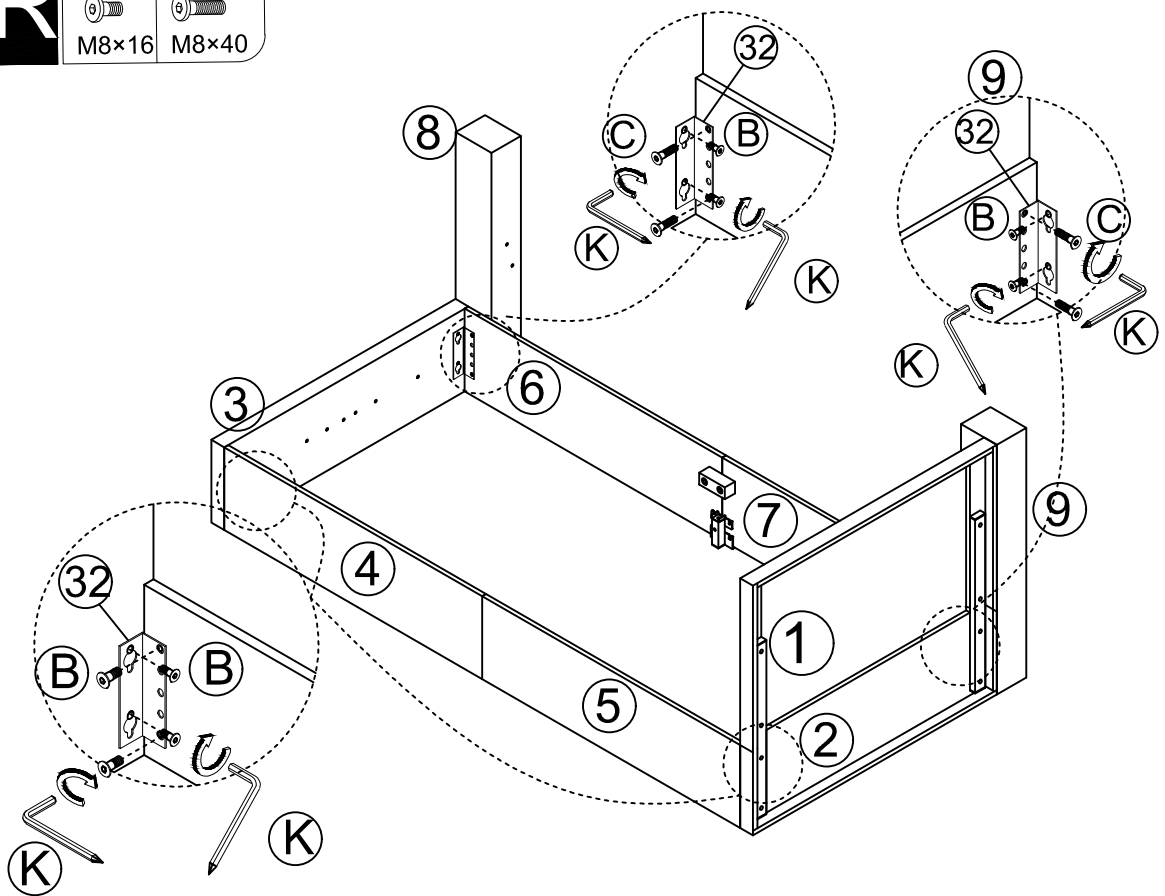
13L

B*12 C*4
M8×16 M8×40



13R

B*12 C*4
M8×16 M8×40

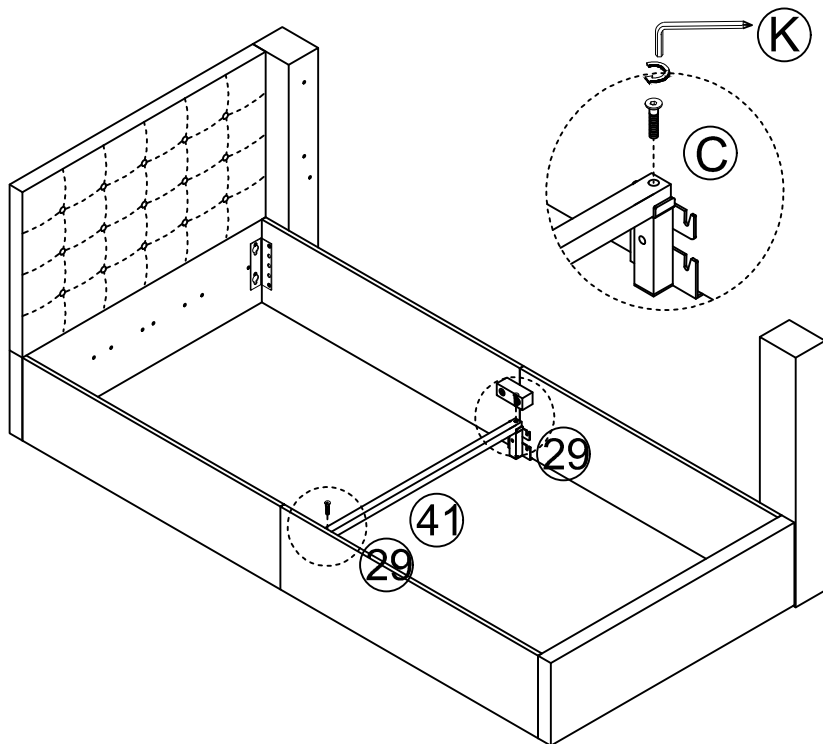


14

C*2



M8x40

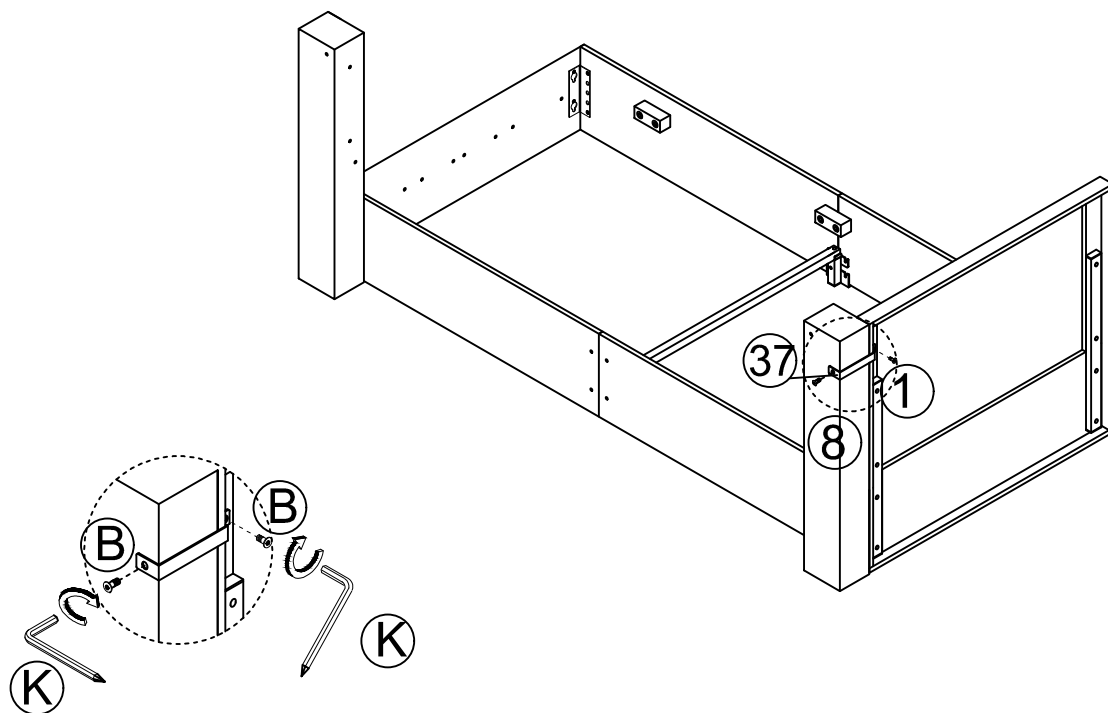


15L

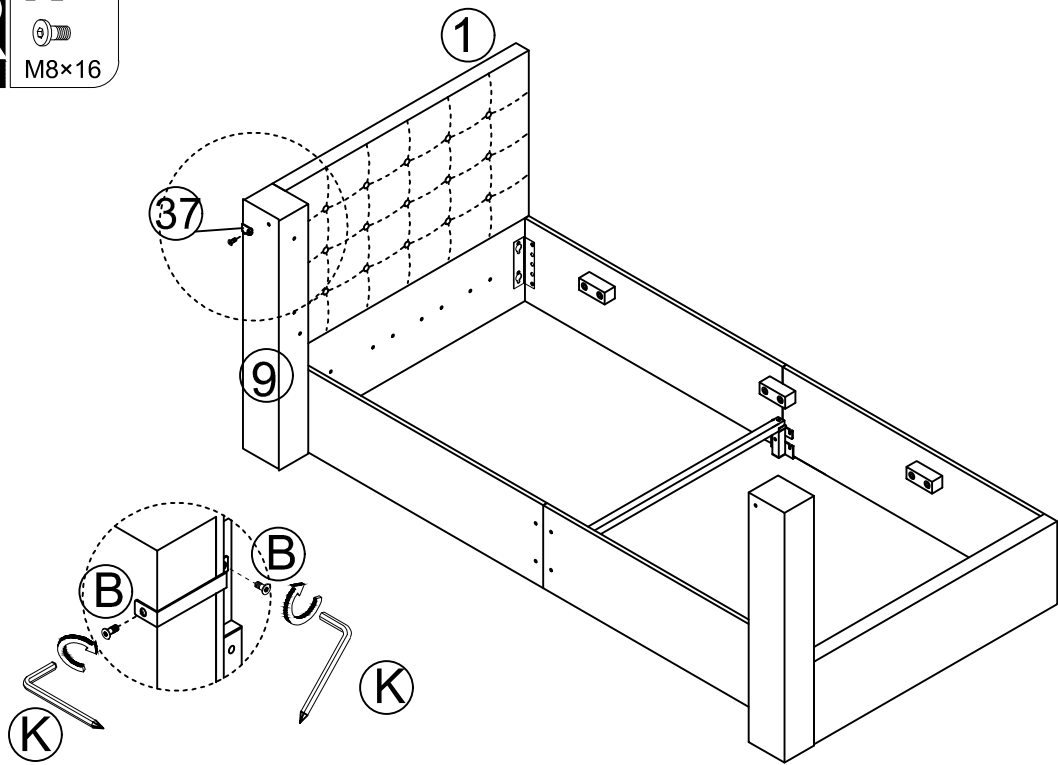
B*2



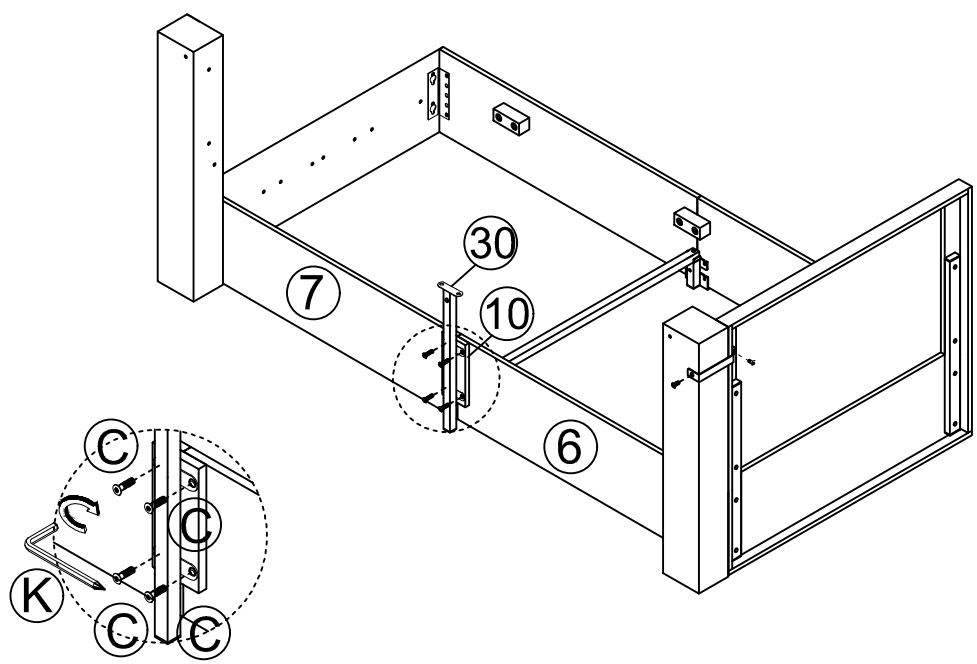
M8x16



15R B*2
M8x16



16 C*4
M8x40



17

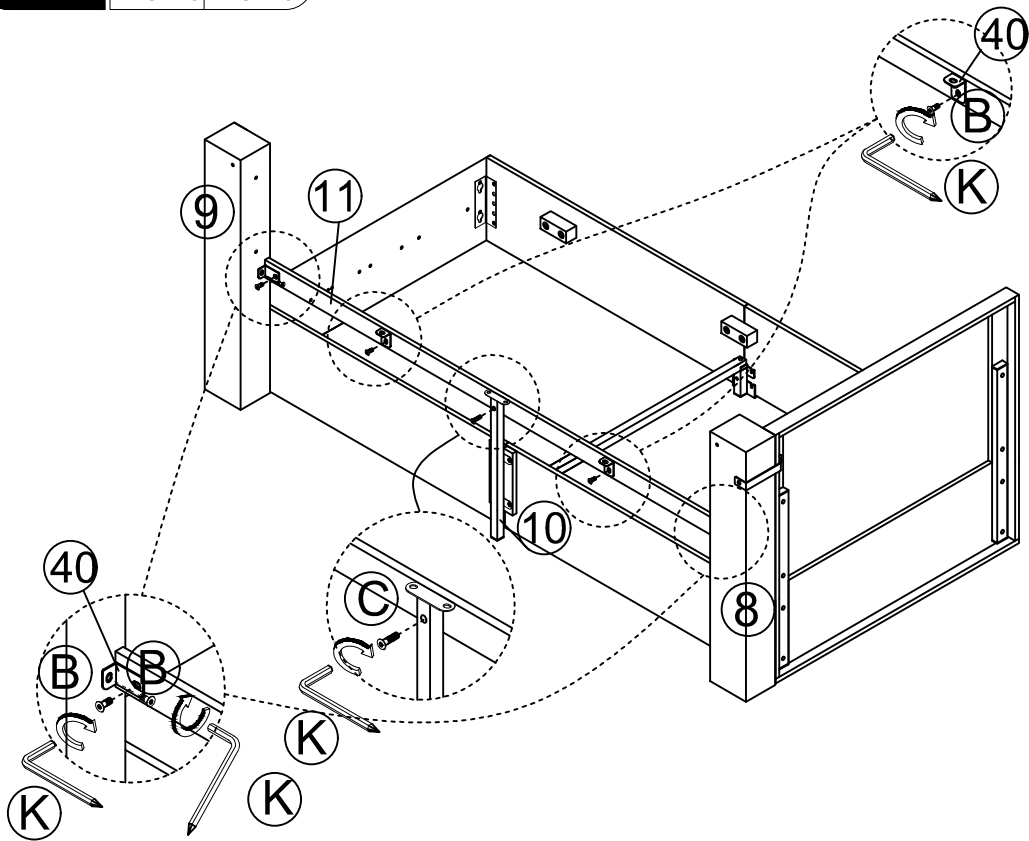
B*6

C*1



M8×16

M8×40



18

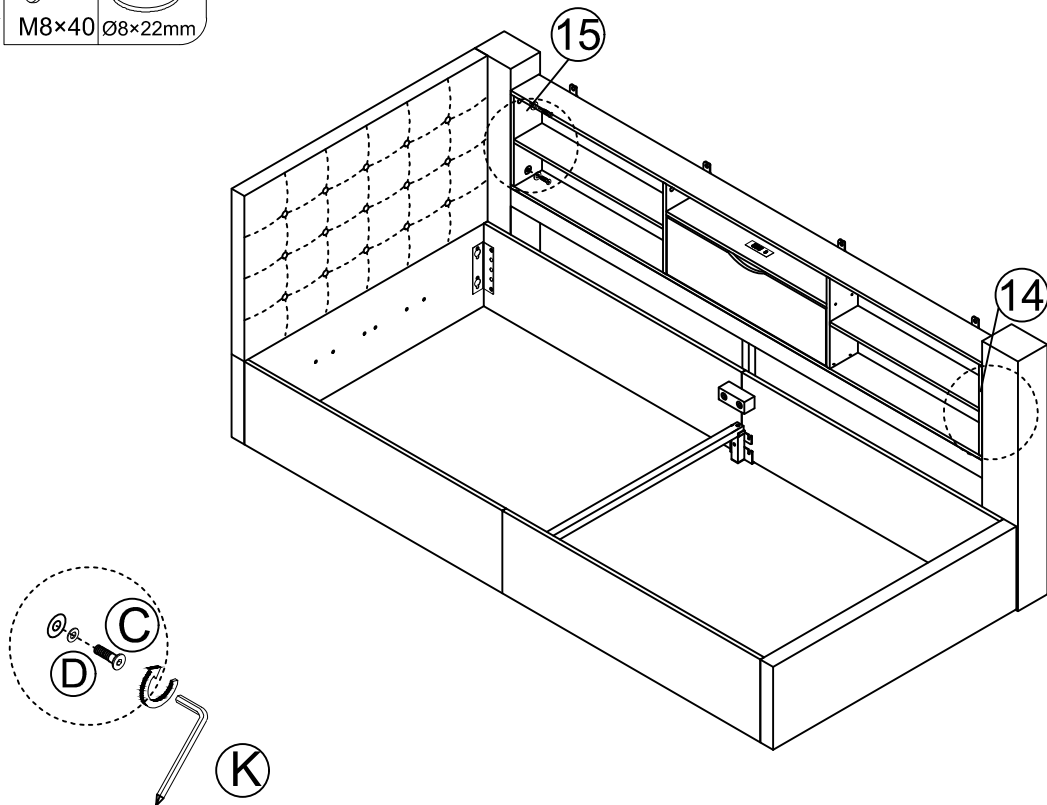
C*4

D*4



M8×40

Ø8×22mm

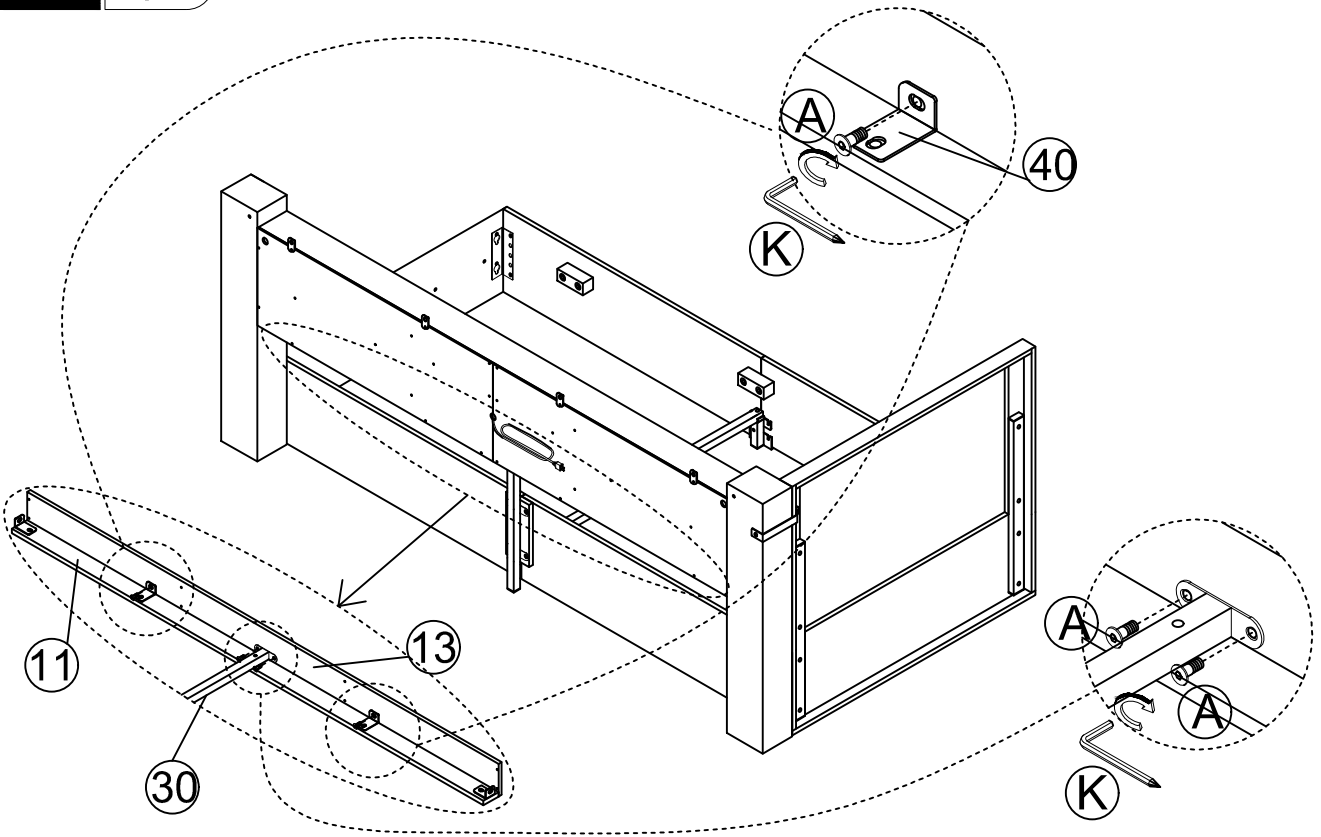


19

A*4



M8×12



20

A*6

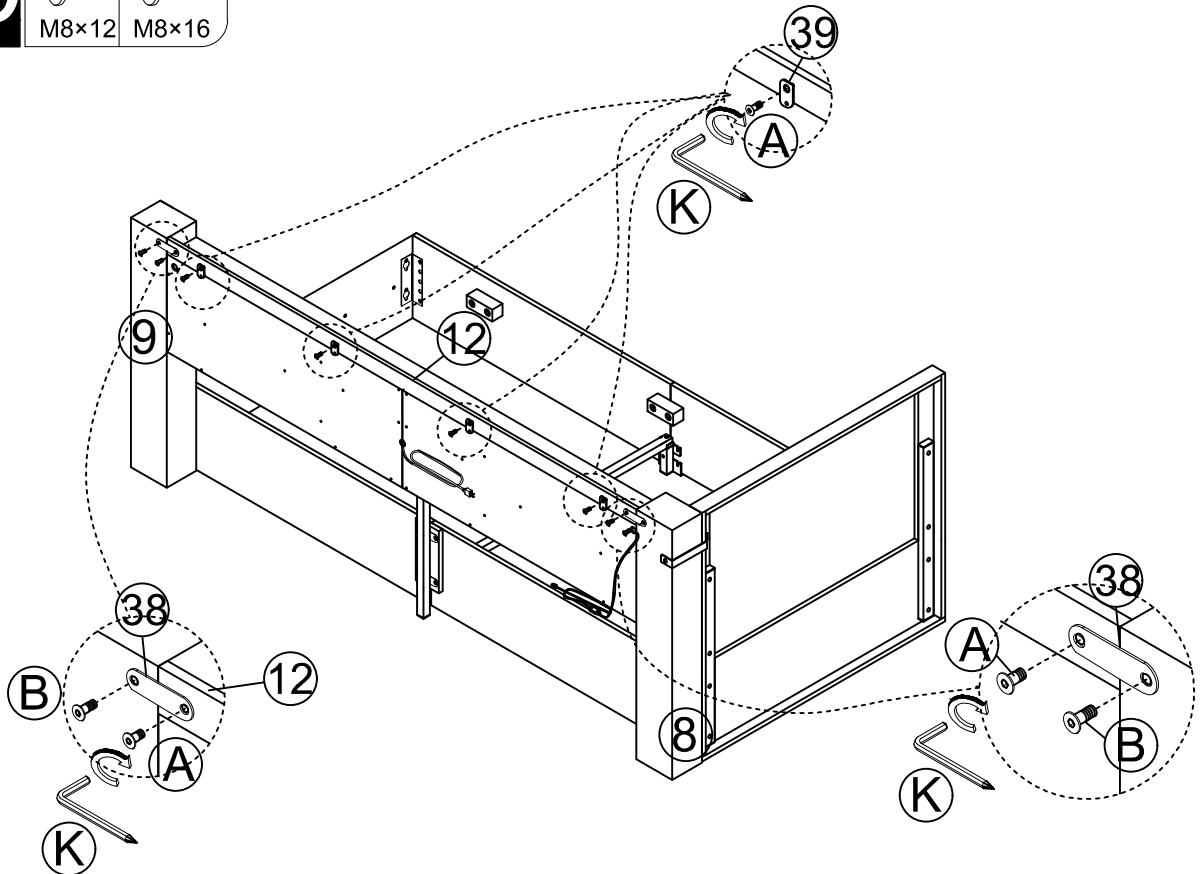
B*2



M8×12



M8×16

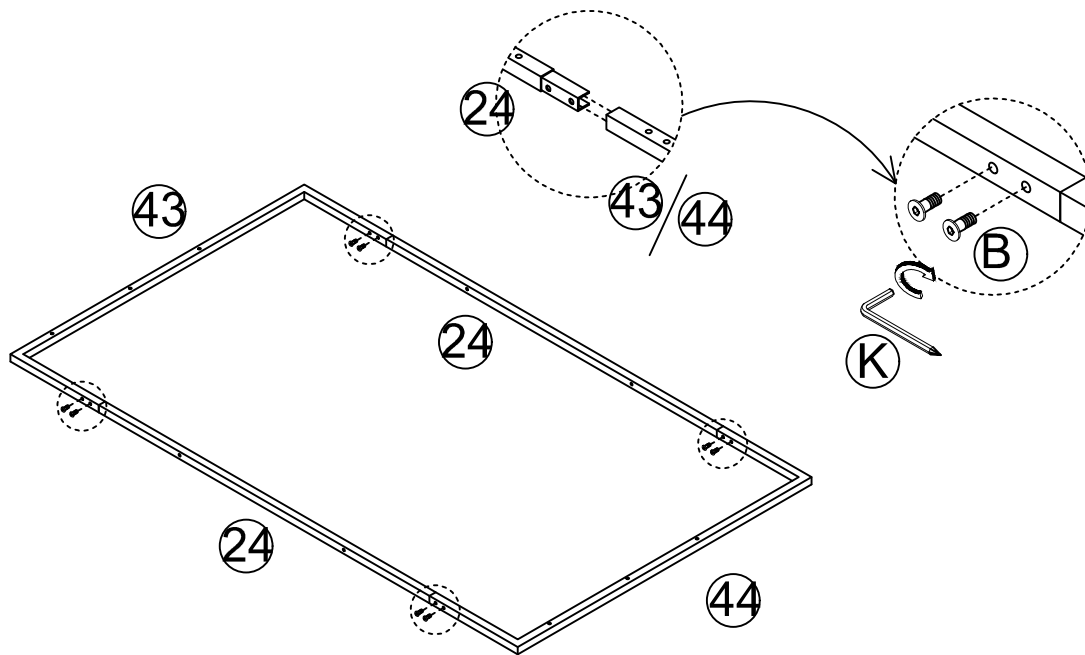


21

B*8



M8×16

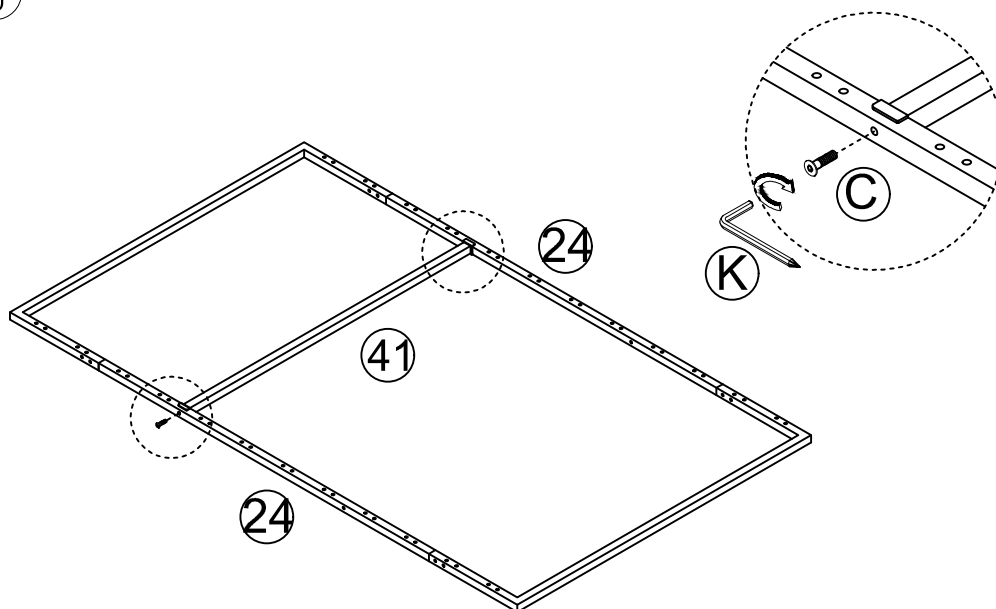


22

C*2



M8×40

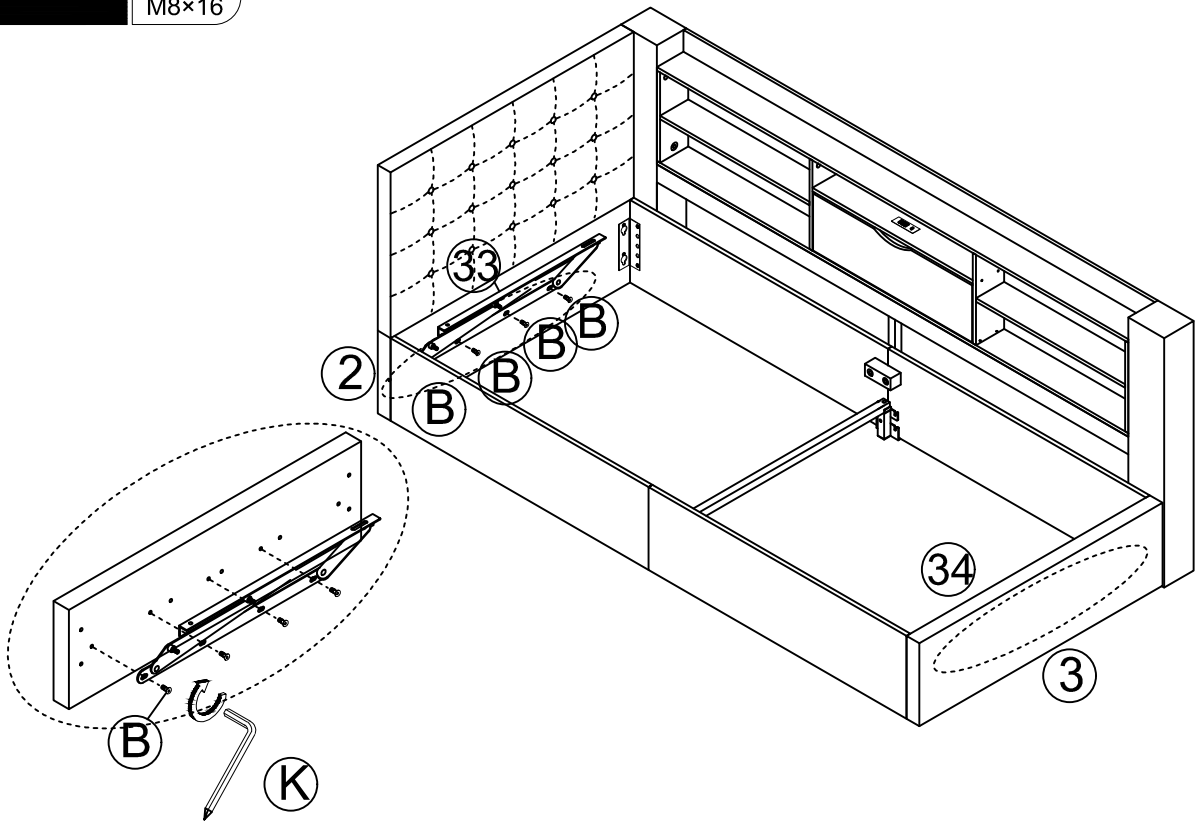


23L

B*8



M8x16

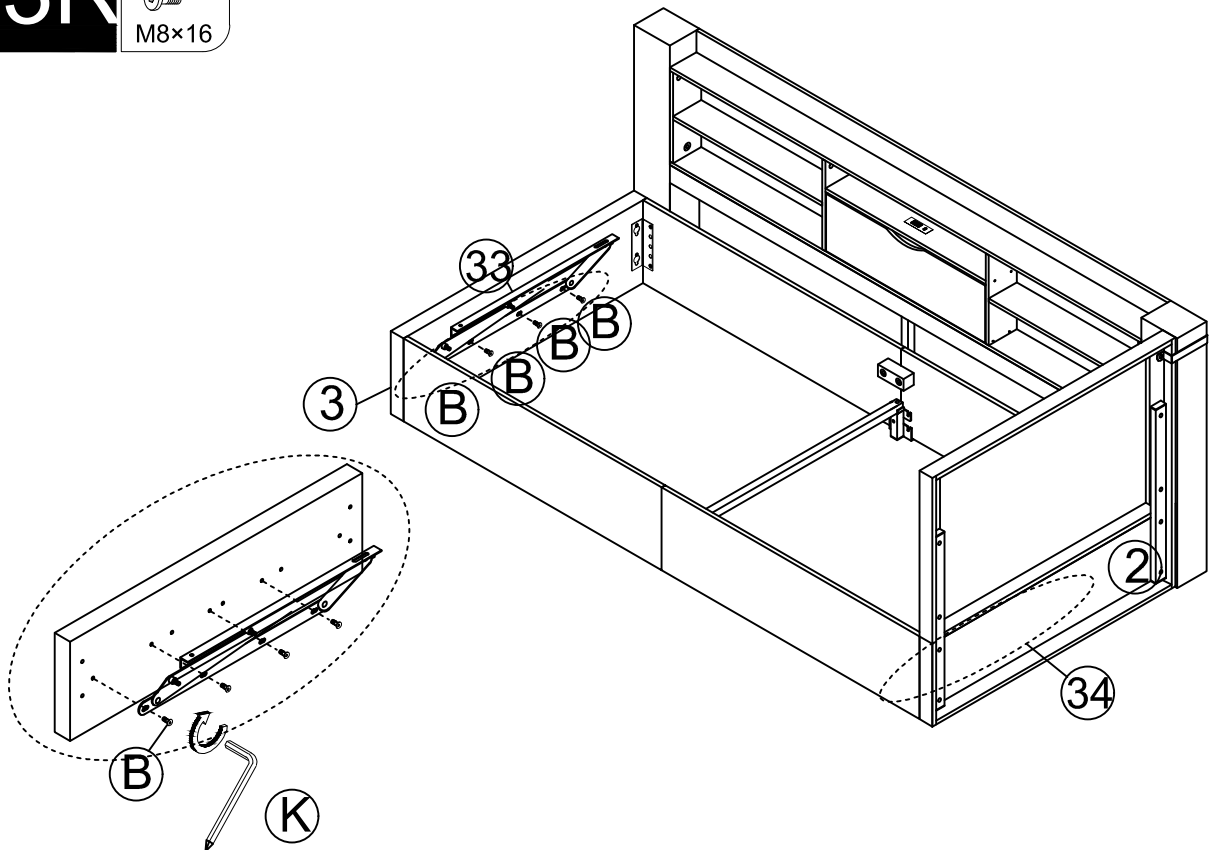


23R

B*8

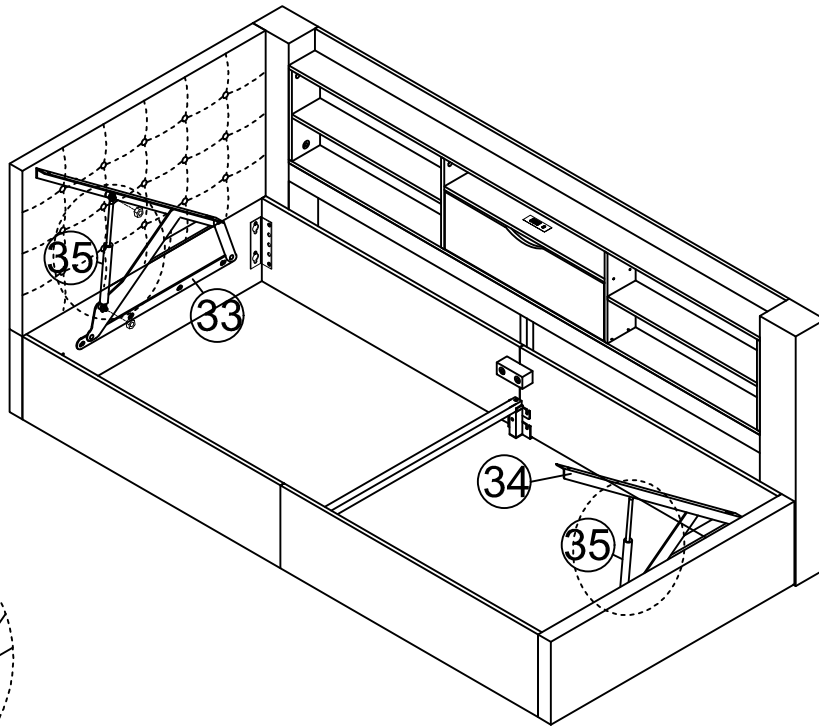
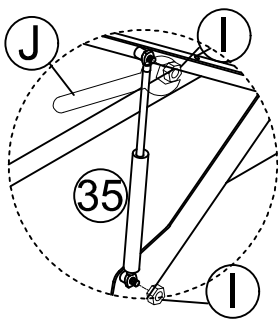


M8x16



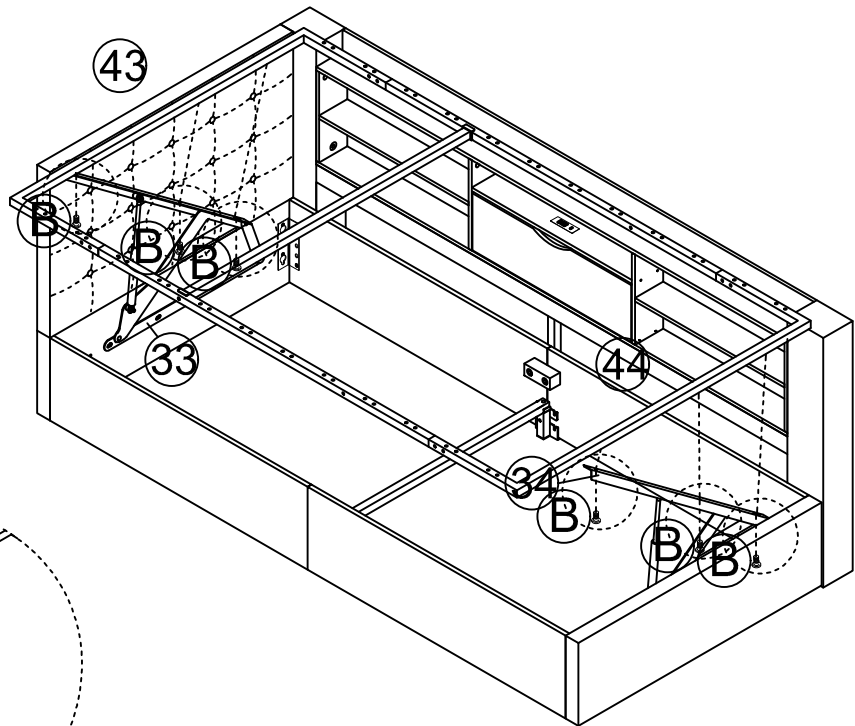
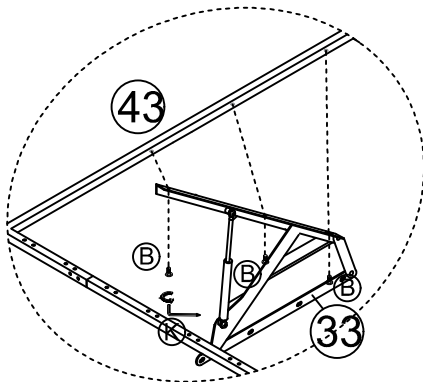
24

I*4
M8



25

B*6
M8x16

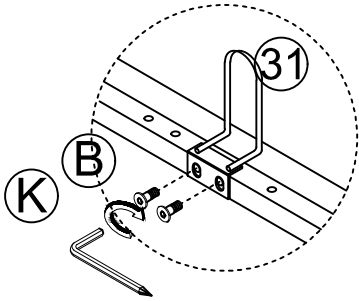
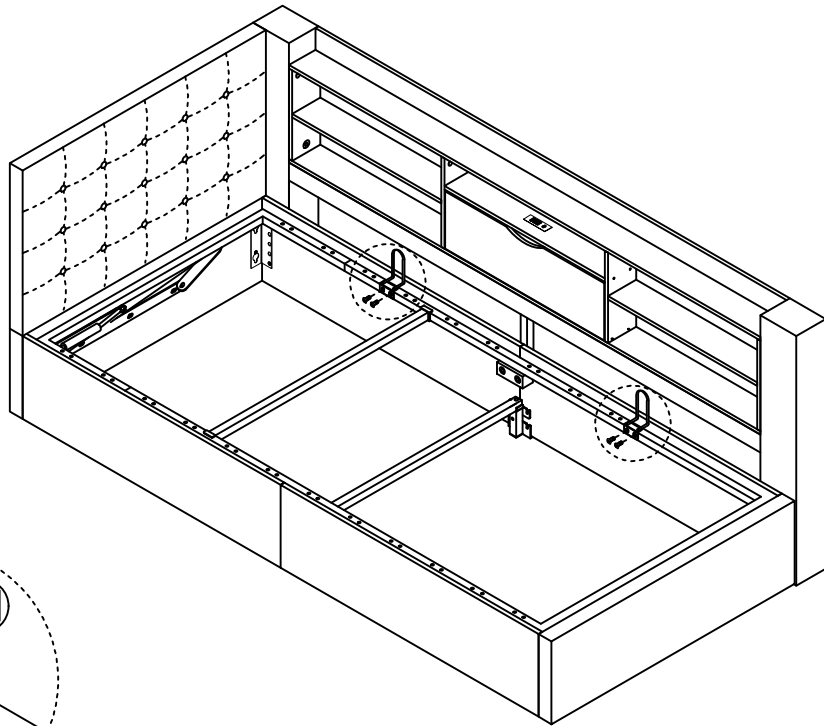


26

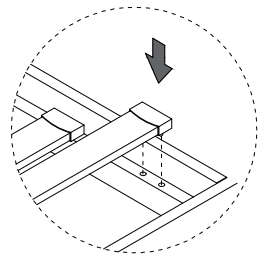
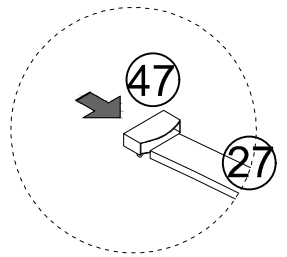
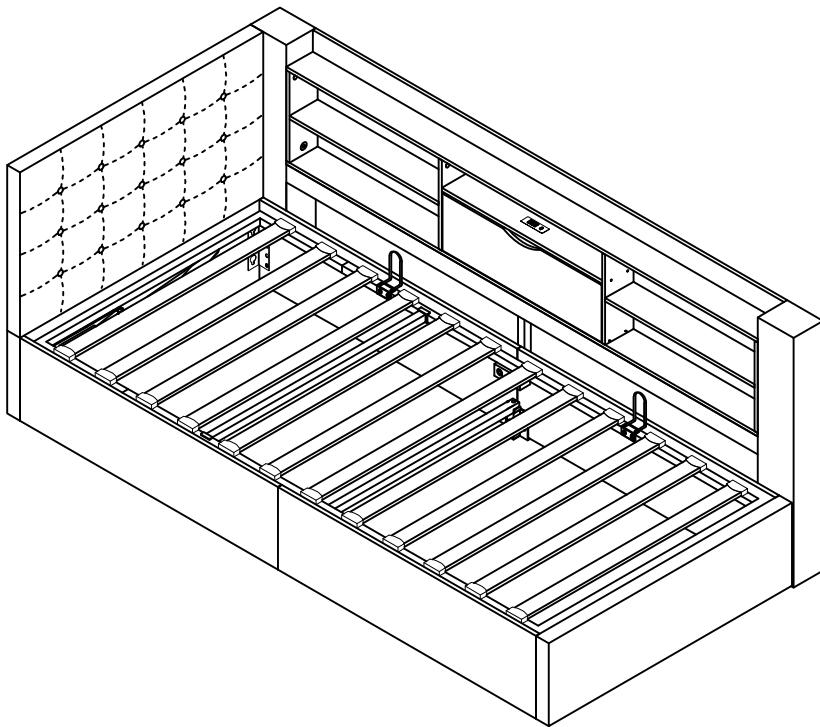
B*4



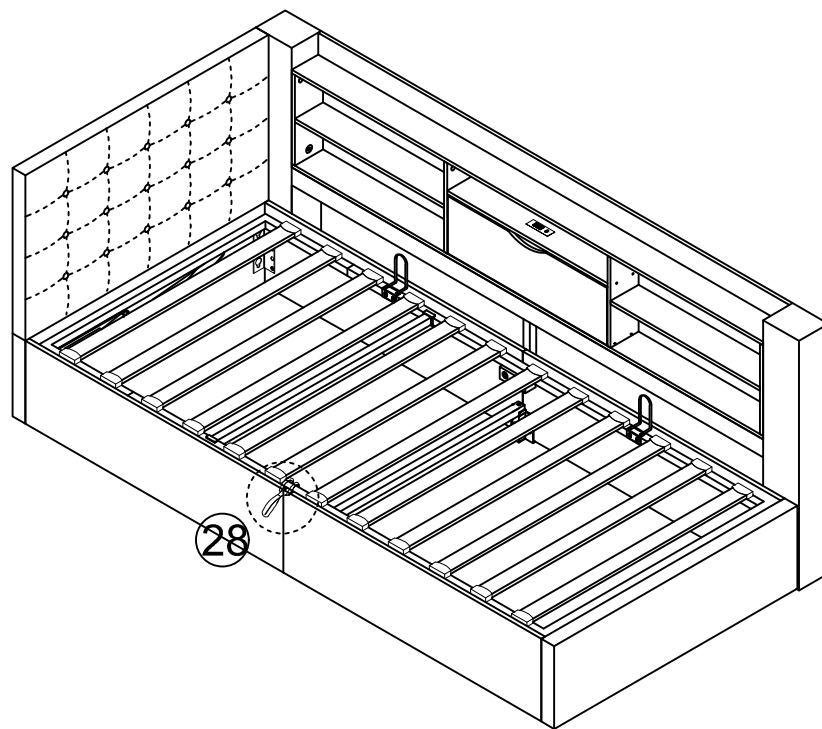
M8×16



27



28



Optional: Cover screw holes with included decorative tape.

Optional: Schraublöcher mit beiliegender Dekofolie abdecken.

Optionnel : Masquez les trous de vis avec le ruban décoratif inclus.

Opzionale: Coprire i fori delle viti con il nastro decorativo incluso.

Opcional: Cubra los agujeros de tornillos con la cinta decorativa incluida.

①



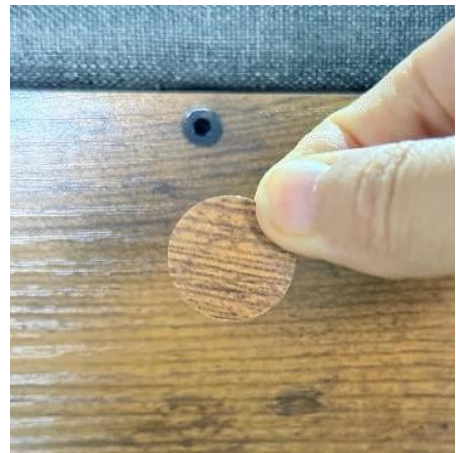
②



③



④



⑤



⑥



Led Bluetooth MiniController Manual

Please download "LotusLamp X" in the app store or scan the QR code below to download



1 .Download the "LotusLamp X" app with your phone by scanning the QR code or searching for the Lotus Lamp app in the iPhone App Store or Google Play Store.

2. After the APP are downloaded successfully, you need to turn on Bluetooth function on your phone firstly, then plug in the strip light, then open the APP, your APP will pair with the strip light automatically and you can control it.

Unable to Connect Troubleshooting

(1) Check if the power supply of the light strip is normal.

(2) Check if the Bluetooth is turned on.

(3) Check if there are other mobile phones connected. Bluetooth 4.0 only supports one-to-many connections, it does not support many-to-many.

(4) Check APP Bluetooth settings if the phone is connected to the device. If connected, exit the APP and reopen, the APP will go to connect automatically.

(5) Normal operations and cannot connect, please exit the APP and reopen.

(6) Exit APP, restart mobile phone, power on the strip light. Reopen the APP, then they will connect automatically.



Certificate of Conformity

Certificate No. : SIT230410160101E
Product : Low voltage LED light strip
Model : RBL-12V-60D, RBL-5V-30D, RBL-5V-60D, RBL-5V-120D,
RBL-12V-30D, RBL-12V-60D, RBL-12V-120D, RBL-24V-30D,
RBL-24V-60D
Trade Mark : N/A
Applicant : Shenzhen Rising-Sun Lighting Technology Ltd.
Address : 8th Floor, Plant No.4, Yuyongxing Industrial Zone, 345 Changfeng Road,
Yutang Street, Guangming District, Shenzhen
Manufacturer : Shenzhen Rising-Sun Lighting Technology Ltd.
Address : 8th Floor, Plant No.4, Yuyongxing Industrial Zone, 345 Changfeng Road,
Yutang Street, Guangming District, Shenzhen

The above products have been tested by us with listed standards and found in compliance with the council EMC 2014/30/EU. It is possible to use CE marking to demonstrate the compliance with this EMC.

Test standards:	Report(s) Number	Issued By	Issued Date
EN IEC 55015:2019+A11:2020 EN 62493:2015+A1:2022 EN 61547:2009 EN IEC 61000-3-2:2019+A1:2021 EN 61000-3-3:2013+A2:2021	SIT230410160101ER	SIT	April 18, 2023

This certificate of conformity is not transferable and based on an evaluation of a sample of the above mentioned product.



Authorized Signer: _____

Date: April 18, 2023

Shenzhen SIT Testing Technology Co., Ltd.

Email: info@sitcert.com

Tel: (86)-0755-29173399

Fax: (86)-0755-29179933

[Http://www.sit-cert.com](http://www.sit-cert.com)



KeySense Testing & Certification International Co., Ltd.
 1-3F, Lab Building, No.29 District, Zhongkai Hi-Tech
 Industrial Development Park, Huizhou, Guangdong,
 China

Tel:0752-3219929
 Fax:0752-3219929
<http://www.kst-cert.com>

Technical Compliance Statement

Certificate No.: KST240304E008Q01

Report No.: KST240304E008Q01

The following product has been tested by us with the listed standards and found in Compliance with the council EMC directive 2014/30/EU. It is demonstrative for the Compliance with this EMC Directive.

Holder: DONGGUAN BAIYOU ELECTRONIC CO LTD

Address: 2F A Building, Wufeng Industrial, Jintan Road, Danwu Shijie Town, Dongguan, Guangdong

Product: USB CHARGER

Model Name: BY213-TD04-C

Trade Name: N/A

Test Standard	
EN 55032:2015+A1:2020	Electromagnetic compatibility of multimedia equipment – Emission requirements
EN IEC 61000-3-2:2019+A1:2021	Electromagnetic Compatibility (EMC) Part 3-2:Limits-Limits for harmonic current emissions(equipment input current $\leq 16A$ per phase)
EN 61000-3-3:2013+A2:2021	Electromagnetic Compatibility(EMC) Part 3-3:Limits-limitation of voltage changes, voltage fluctuations and flicker in public low-voltage supply systems, for equipment with rated current $\leq 16A$ per phase and not subject to conditional connection
EN 55035:2017+A11:2020	Electromagnetic compatibility of multimedia equipment – Immunity requirements



Signature: 

Name: Jack.Li

Position: Supervisor

Date: April 26, 2024

The statement is based on single evaluation of one sample of above mentioned product. It does not imply an assessment of the whole production and does not permit the use of the test lab. Logo.