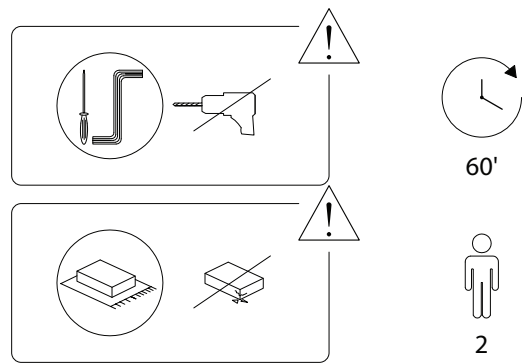
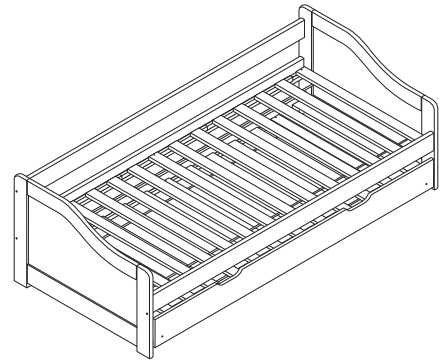
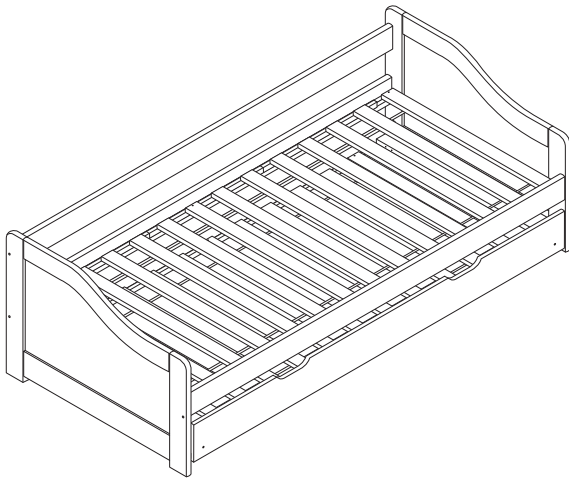
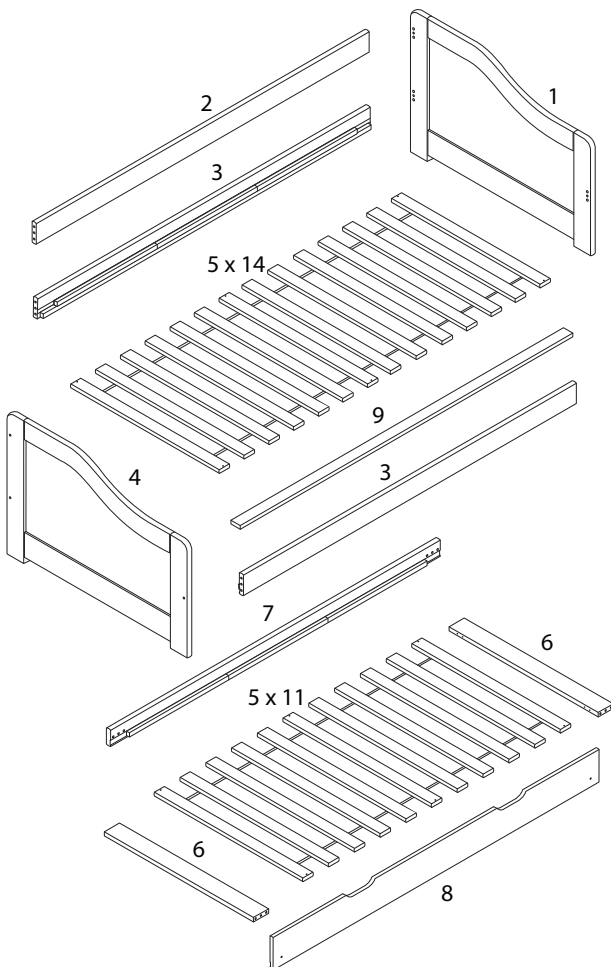


# LUNERAY

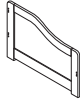
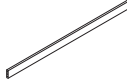

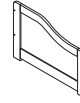
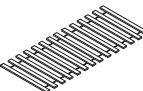
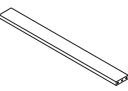






1/10

2269/LUNERAY/070725/



2/10

|  |  |   |
|--|--|---|
| 1<br><br>x 1   | 2<br><br>x 1  | 3<br><br>x 2 |
| 4<br><br>x 1   | 5<br><br>x 25 | 6<br><br>x 2 |
| 7<br><br>x 1   | 8<br><br>x 1  | 9<br><br>x 1 |
| A<br><br>x 20 |  |   |

3/10

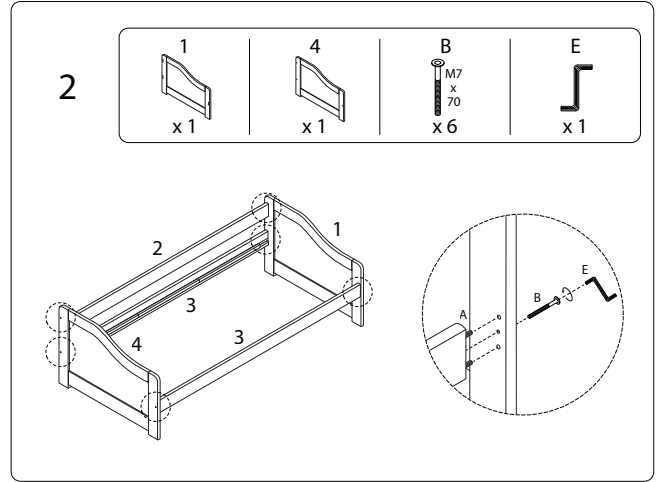
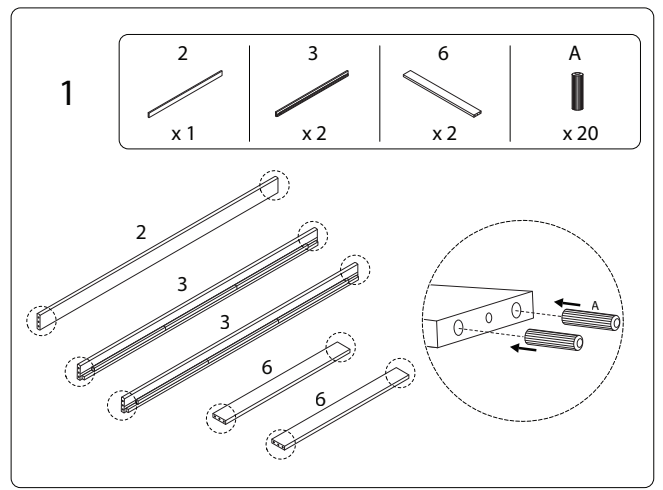
2269/LUNERAY/070725/

2269/LUNERAY/070725/

|                                     |                                    |                                   |
|-------------------------------------|------------------------------------|-----------------------------------|
| <b>B</b><br>M7<br>x<br>70<br>x 6    | <b>C</b><br>M6.4<br>x<br>60<br>x 4 | <b>D</b><br>M4<br>x<br>30<br>x 50 |
| <b>E</b><br>x 1                     | <b>F</b><br>x 4                    | <b>G</b><br>x 8                   |
| <b>H</b><br>M3.5<br>x<br>16<br>x 24 | <b>I</b><br>x 4                    | <b>J</b><br>x 2                   |
| <b>K</b><br>M3.5<br>x<br>35<br>x 14 | <b>L</b><br>84 mm<br>x 2           | <b>M</b><br>91 mm<br>x 2          |

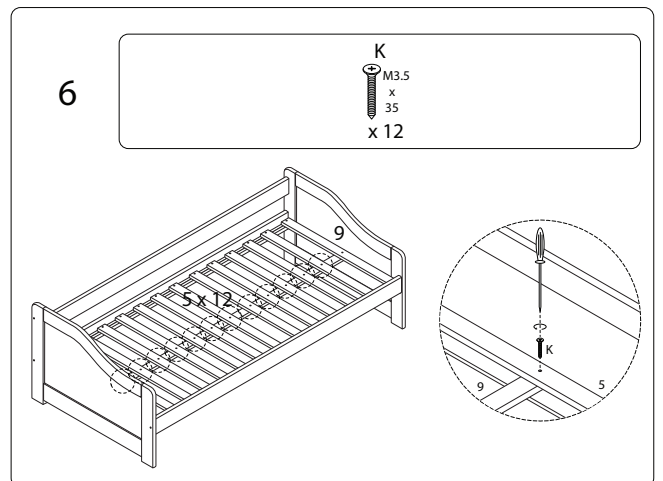
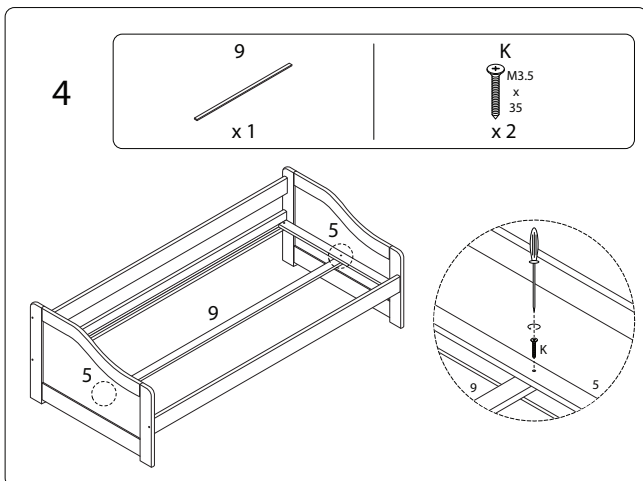
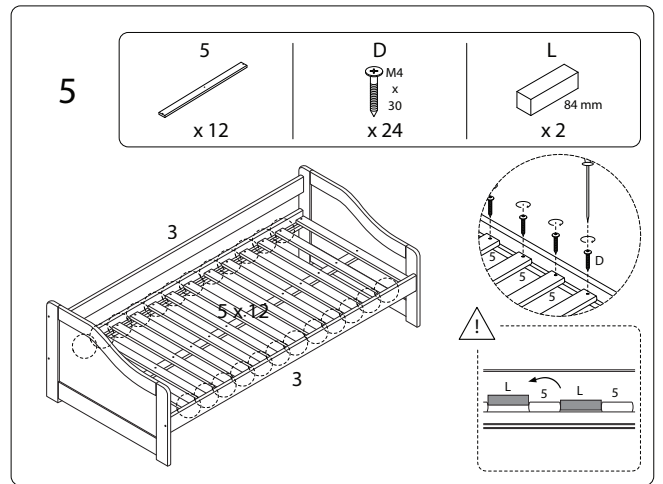
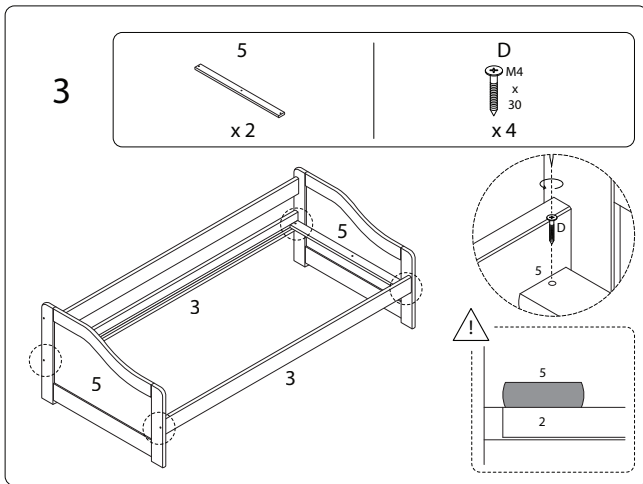
4/10

2269/LUNERAY/070725/



5/10

2269/LUNERAY/070725/

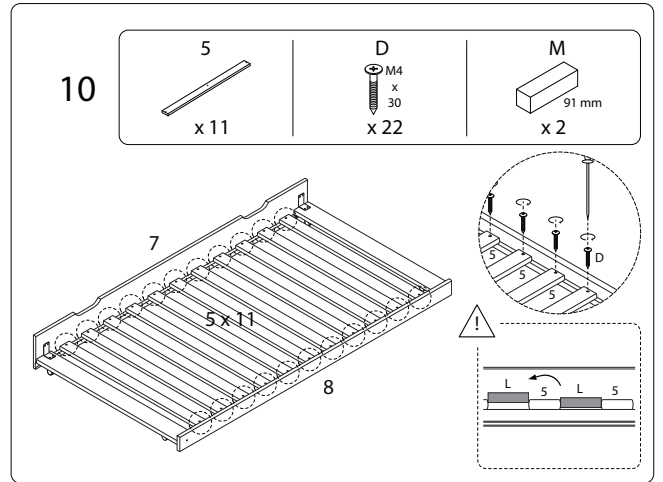
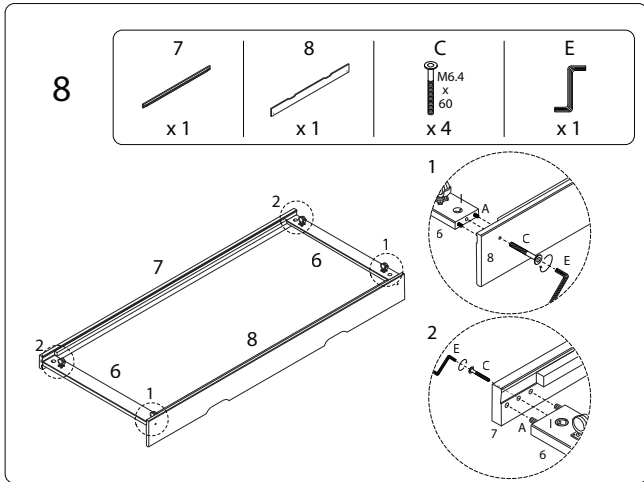
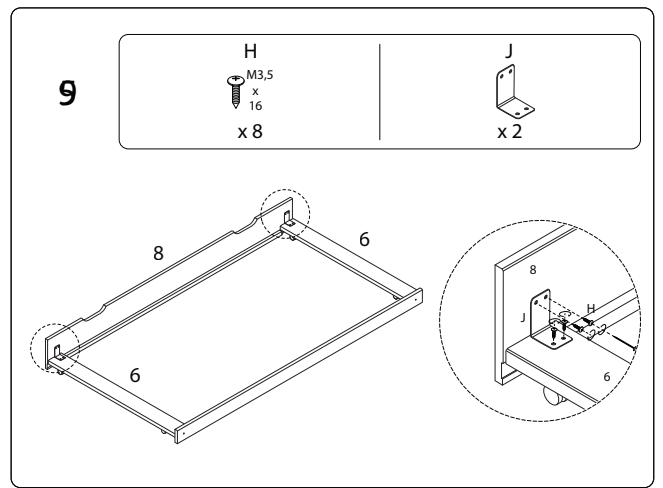
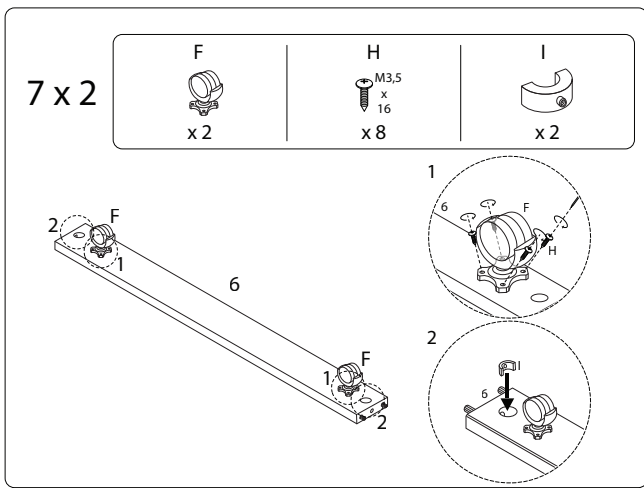


6/10

2269/LUNERAY/070725/

7/10

2269/LUNERAY/070725/

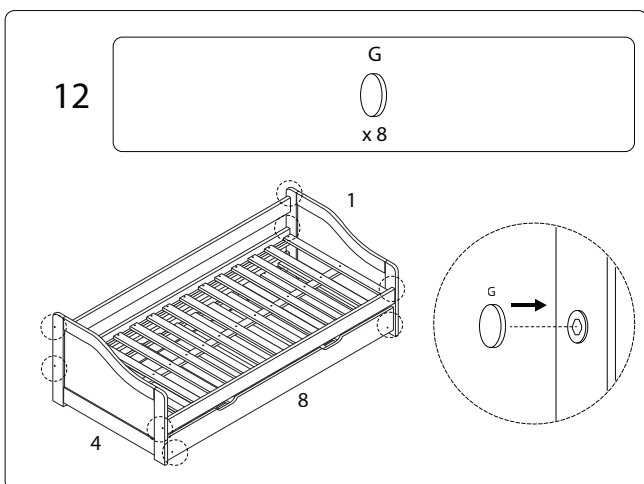
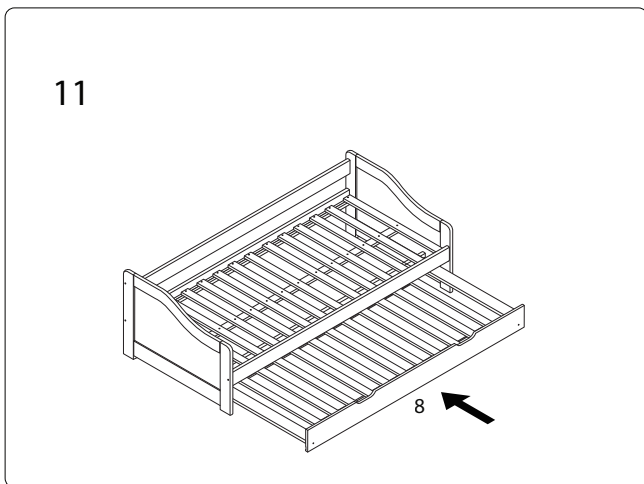


8/10

2269/LUNERAY/070725/

9/10

2269/LUNERAY/070725/



10/10

2269/LUNERAY/070725/