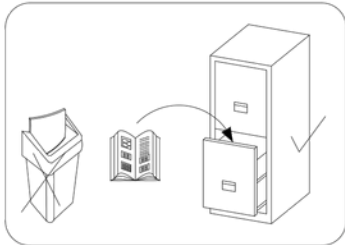


Montageanleitung Schrank 200 mit Schubladen

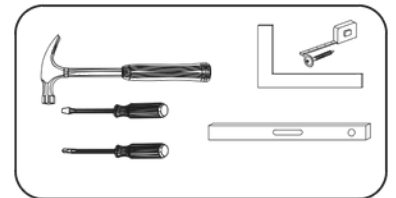
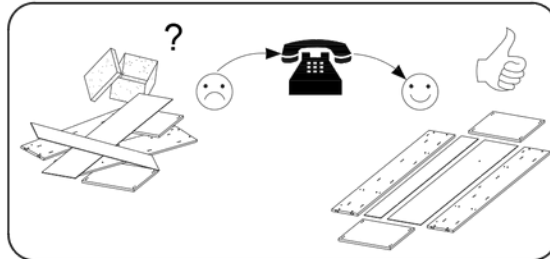
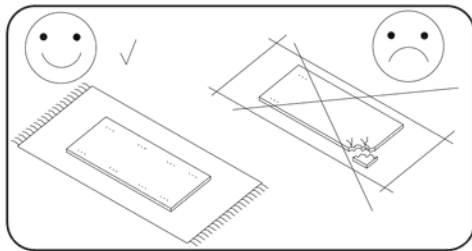
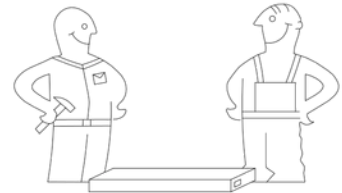
D MONTAGEANLEITUNG
GB ASSEMBLY INSTRUCTIONS
CZ MONTÁŽNÍ NÁVOD



Montagezeit
Time to assemble



3 hours
3 zeit

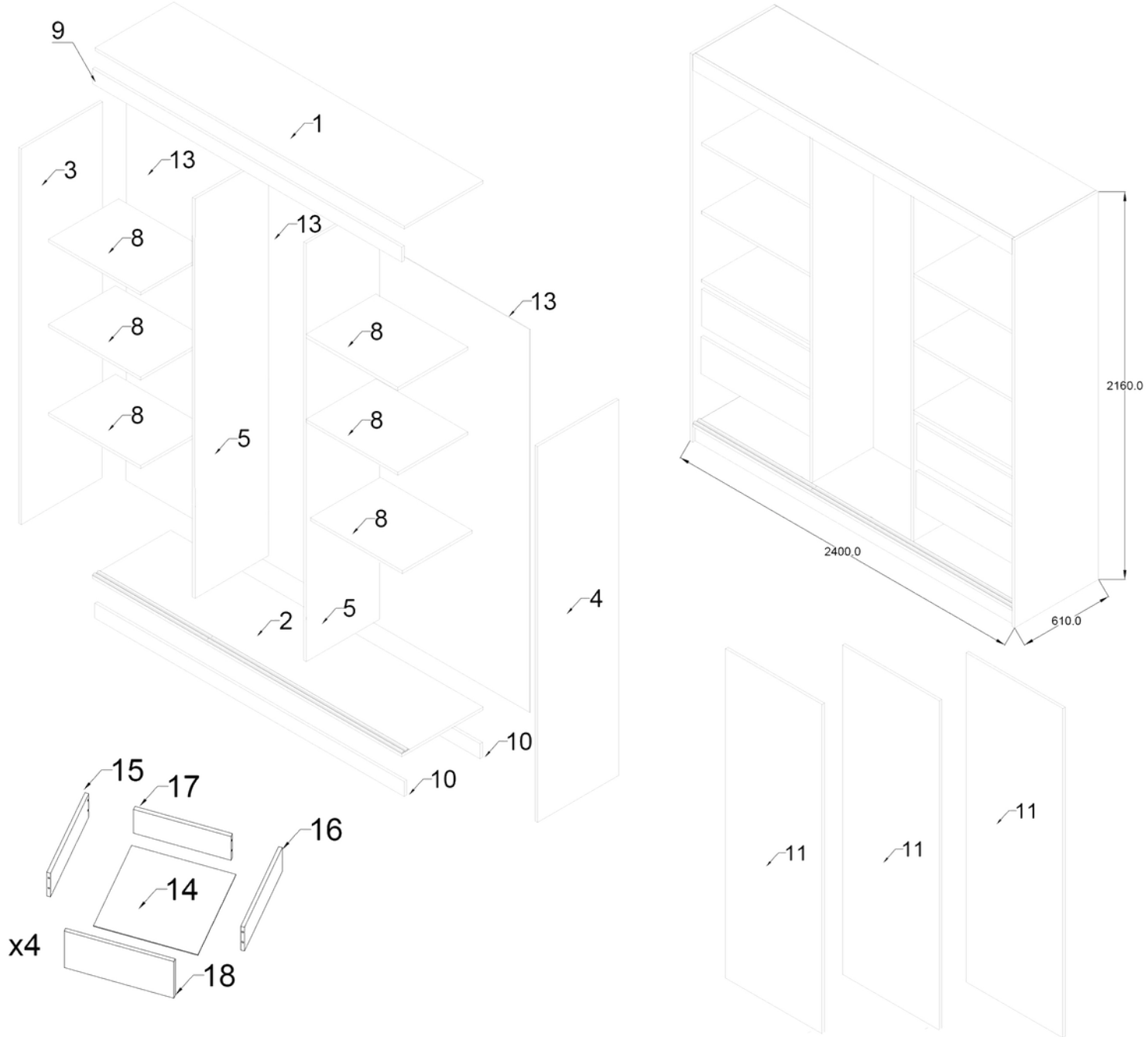


Nr	X mm	Y mm	Z mm	Szt.
1	1968	593	16	1
2	1968	610	16	1
3	2160	610	16	1
4	2160	610	16	1
5	2028	470	16	2
8	481	470	16	6
9	70	1968	16	1
10	100	1968	16	2

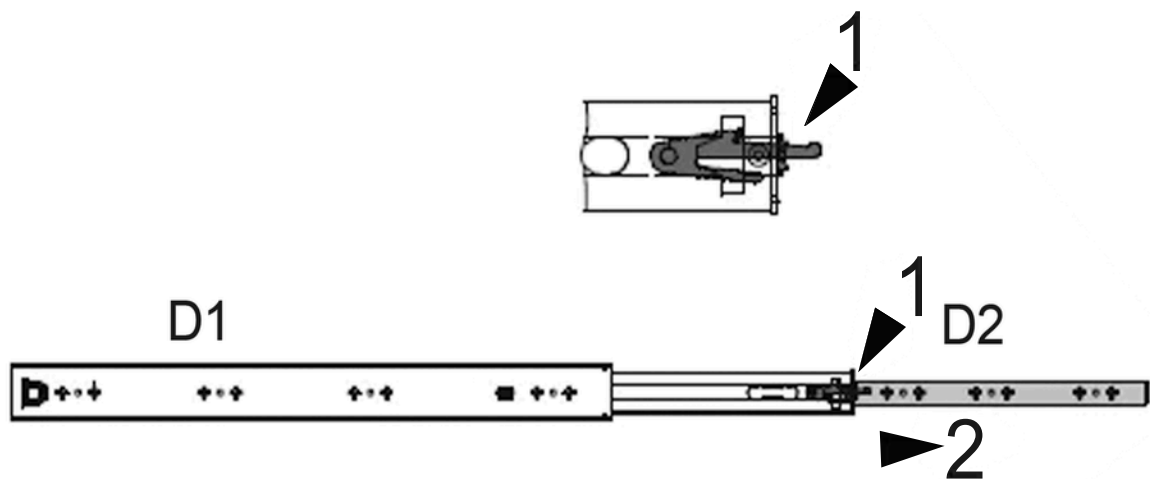
Nr	X mm	Y mm	Z mm	Szt.
11	2015	995	16	2
13	2055	993	3	2
14	405	450	3	4
15	400	180	16	4
16	400	180	16	4
17	424	180	16	4
18	472	200	16	4

8.0x35 D	 S	 A	 B	4.0x16 H	 X1	 N2	 M	 M'	 S3	4.0x12 H2
47	32	4	4	64	32	4	4	4	16	30
 X	 U	 S1	L-971 R	L-1966 F	3.0x13 Q	 J	 H1	400mm D1	400mm D2	 K
4	1	85	2	4	20	10	1	8	8	1



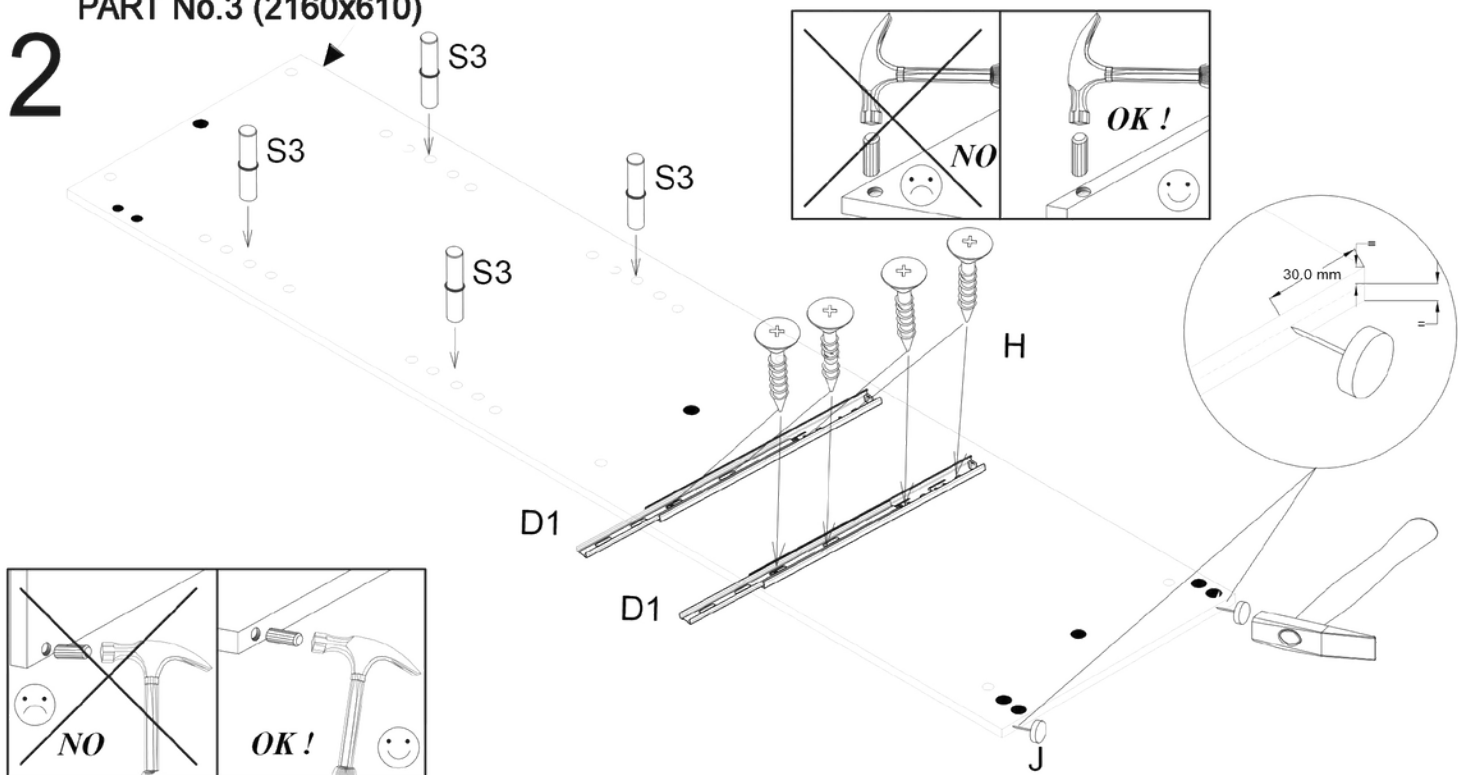


1



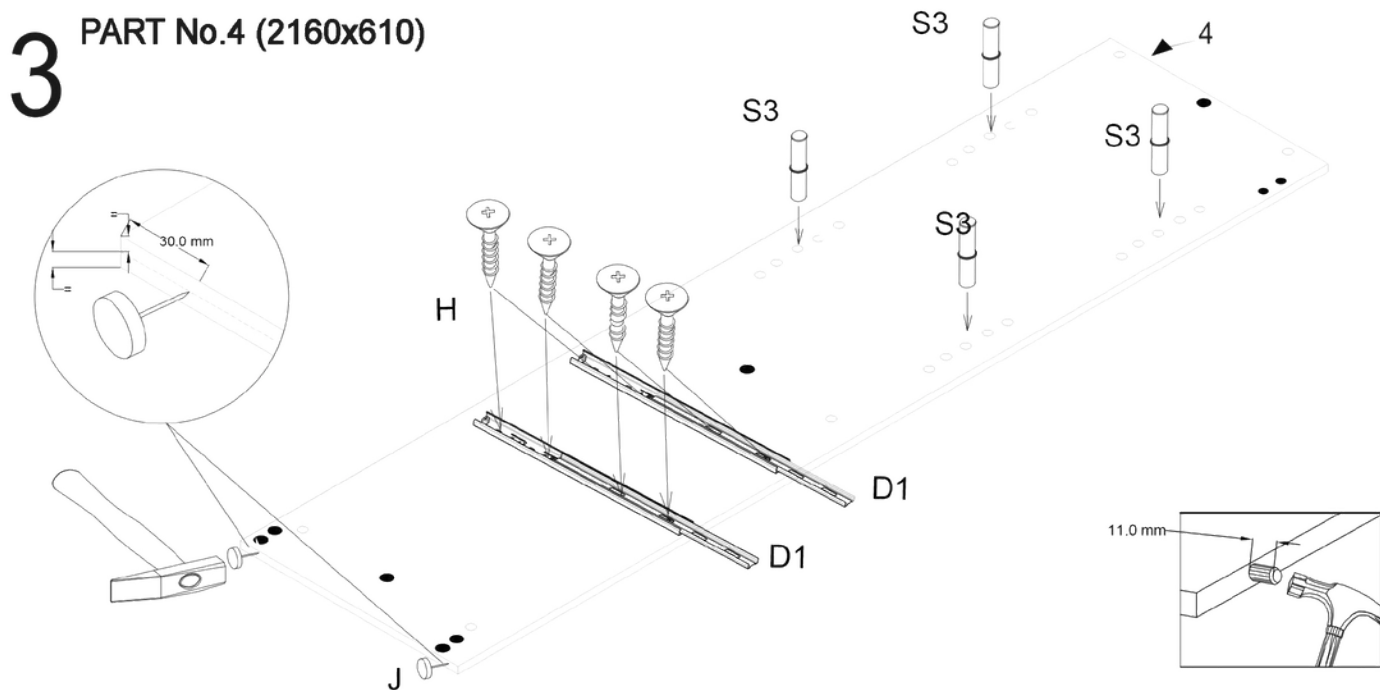
PART No.3 (2160x610)

2



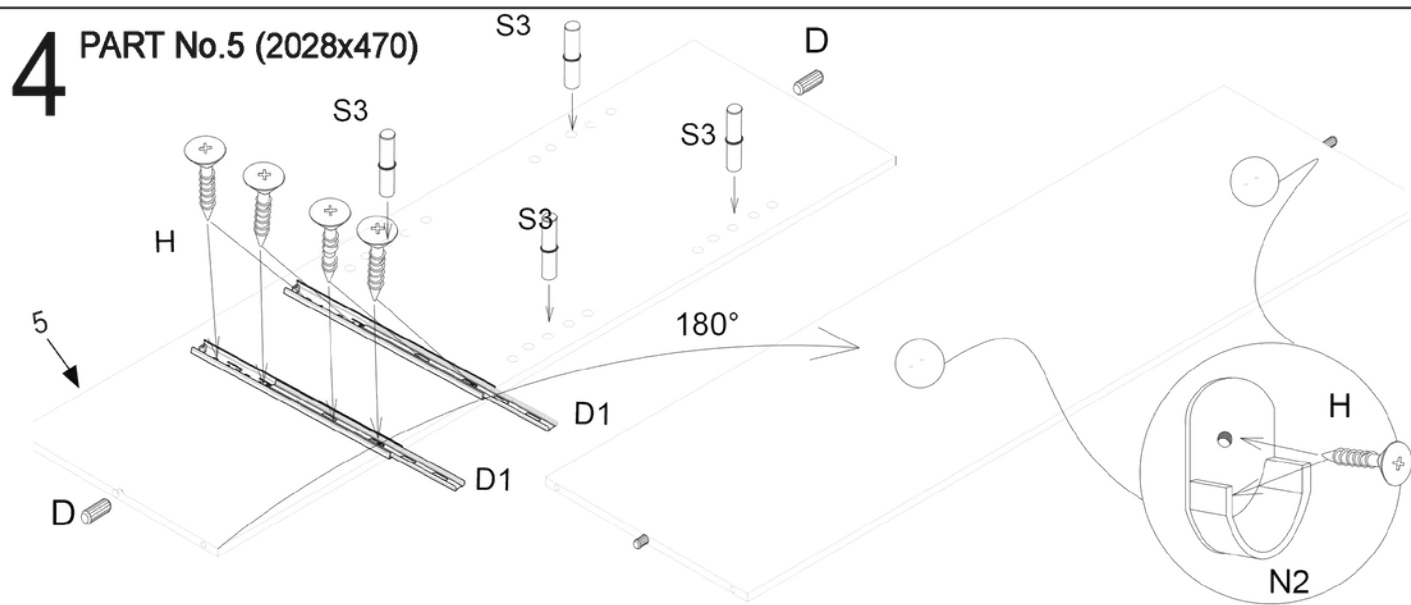
PART No.4 (2160x610)

3



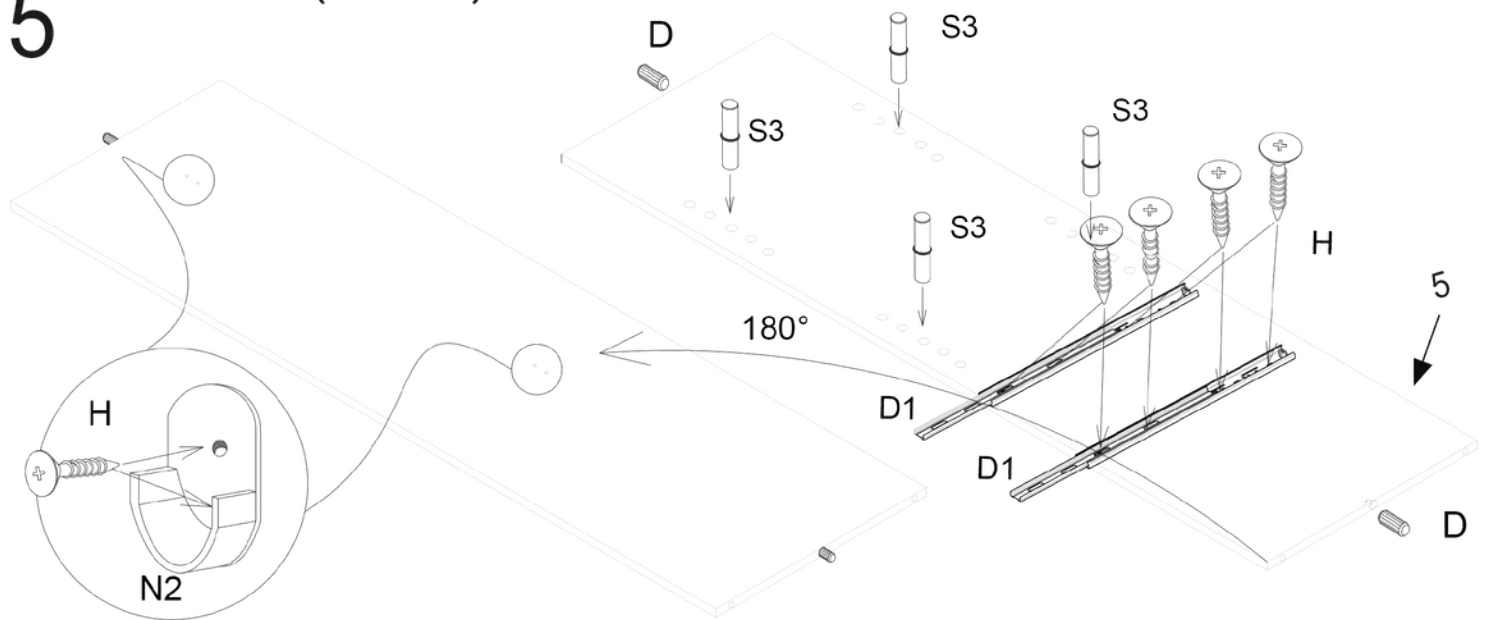
PART No.5 (2028x470)

4



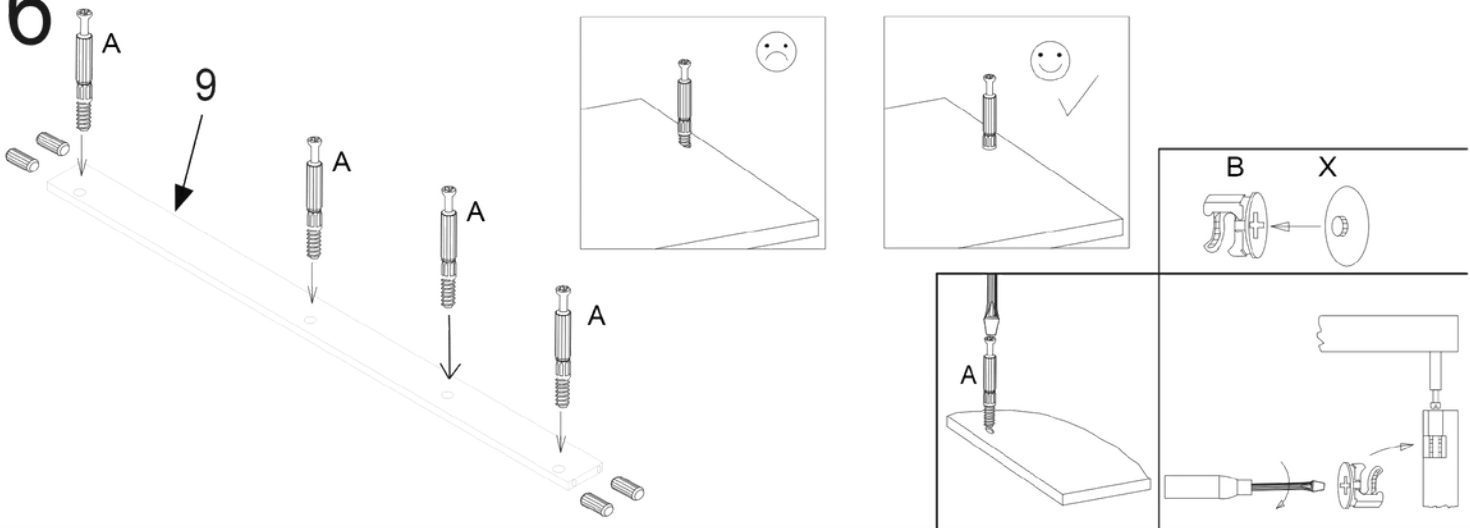
5

PART No.5 (2028x470)



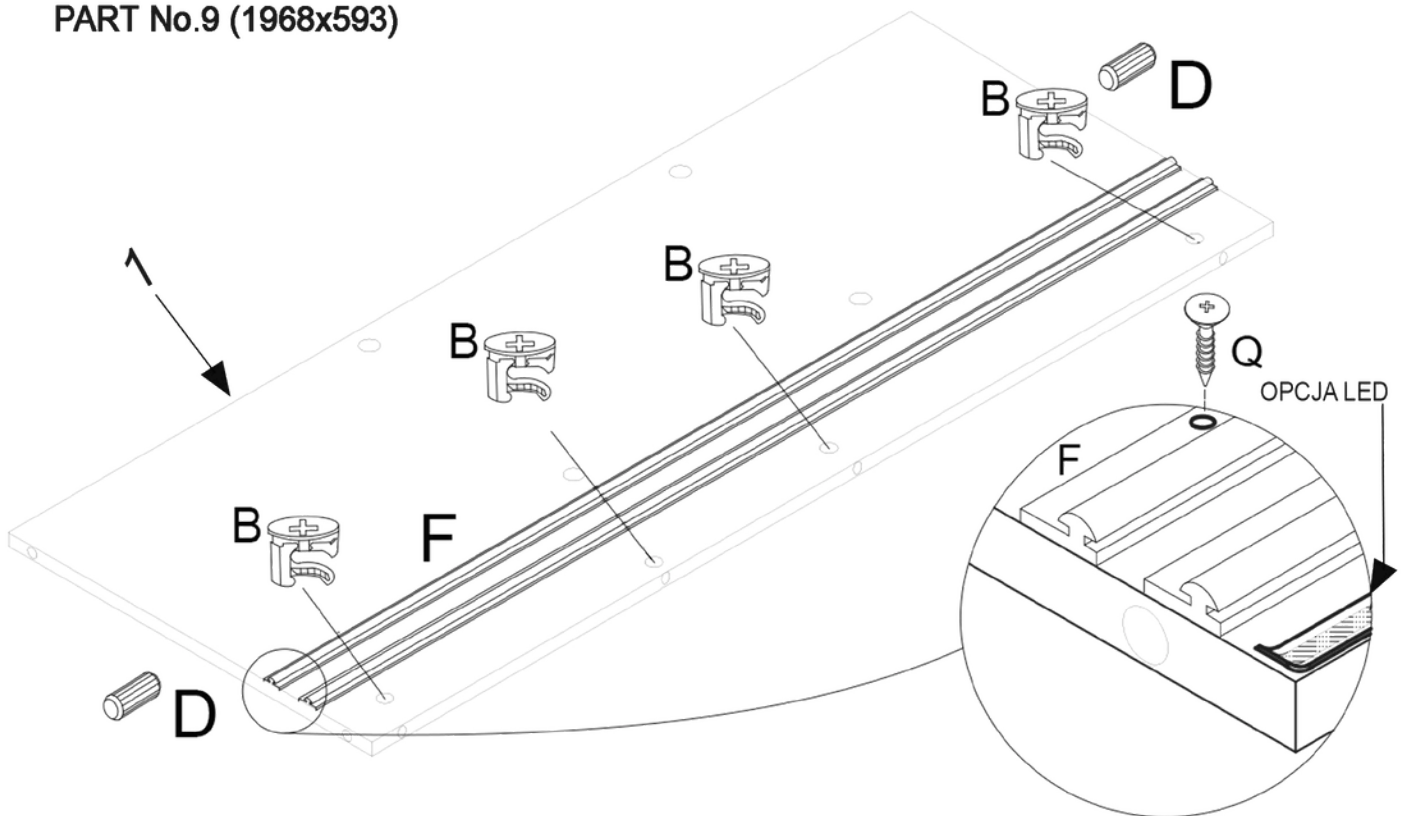
6

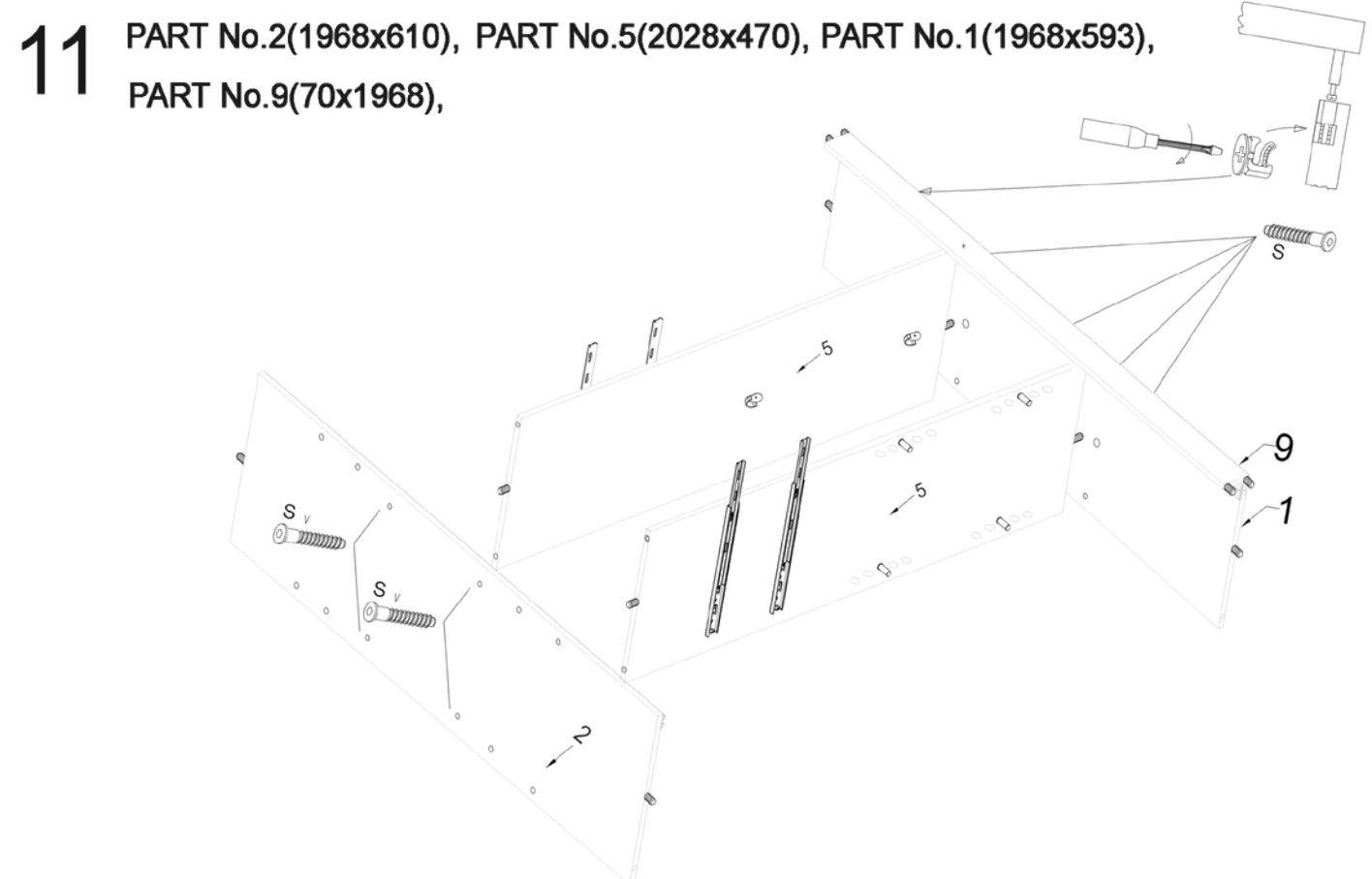
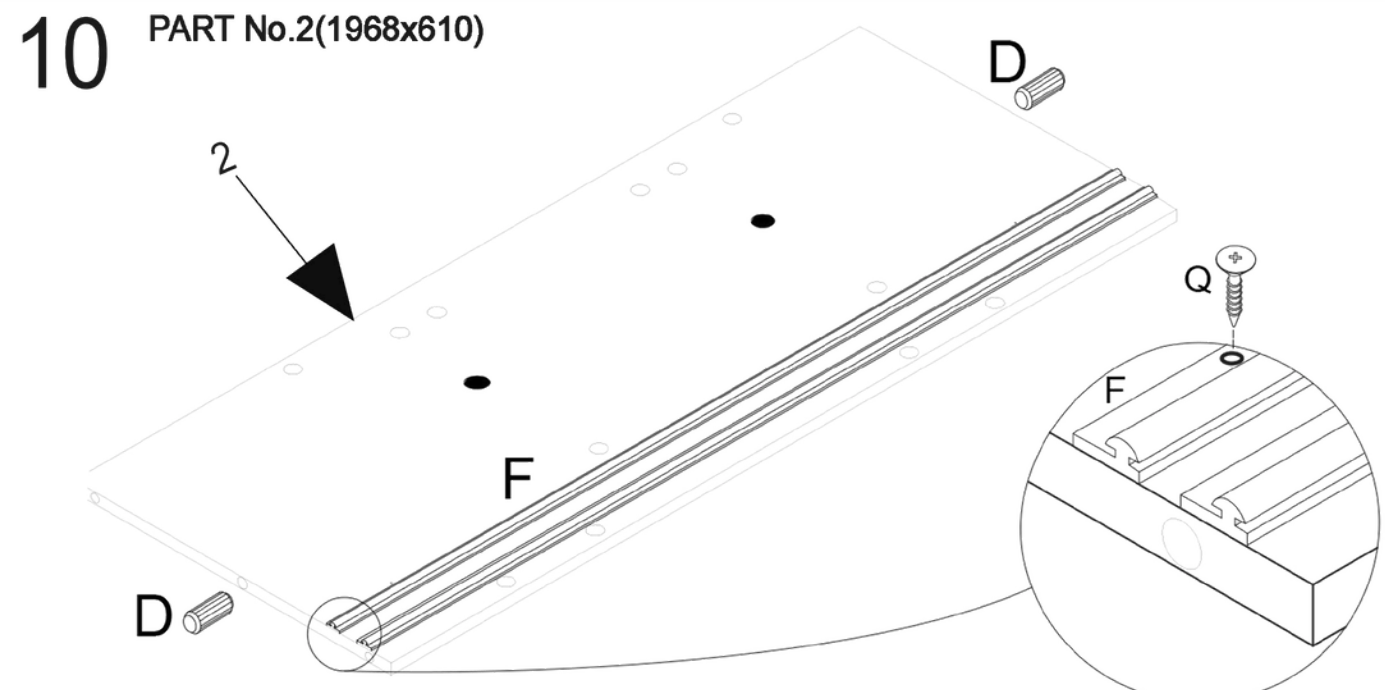
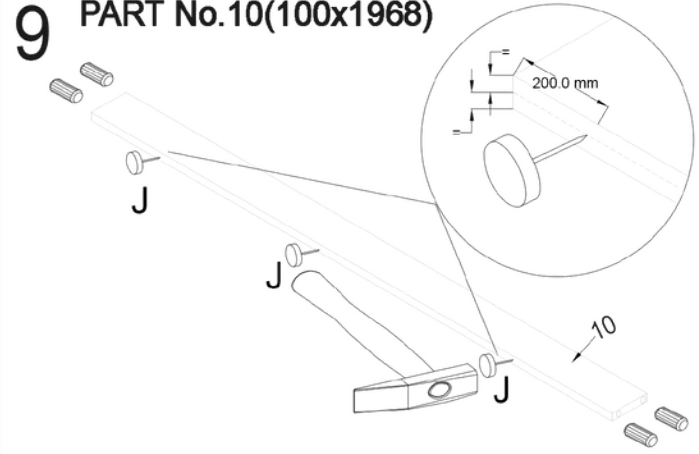
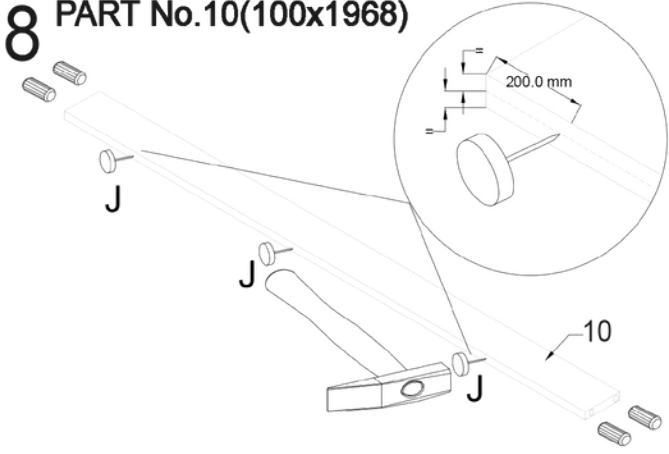
PART No.9 (70x1968)



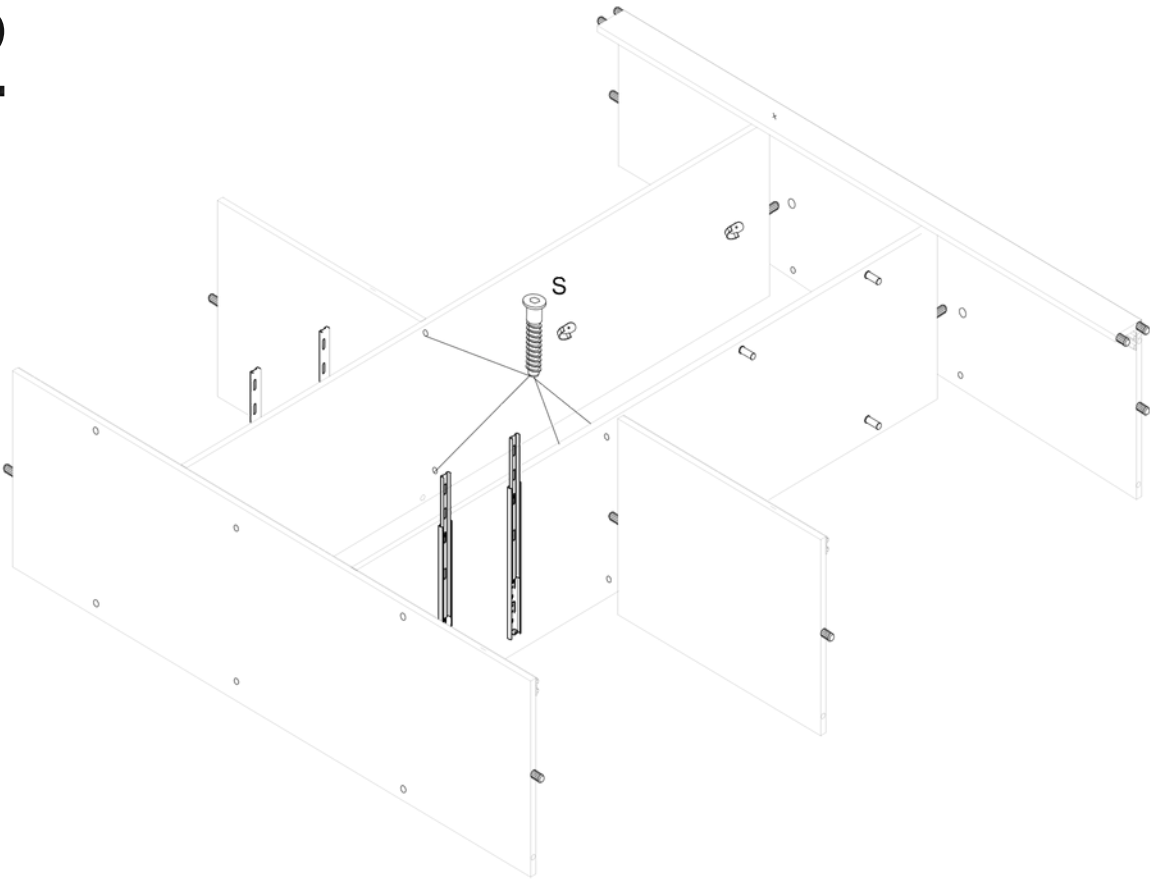
7

PART No.9 (1968x593)



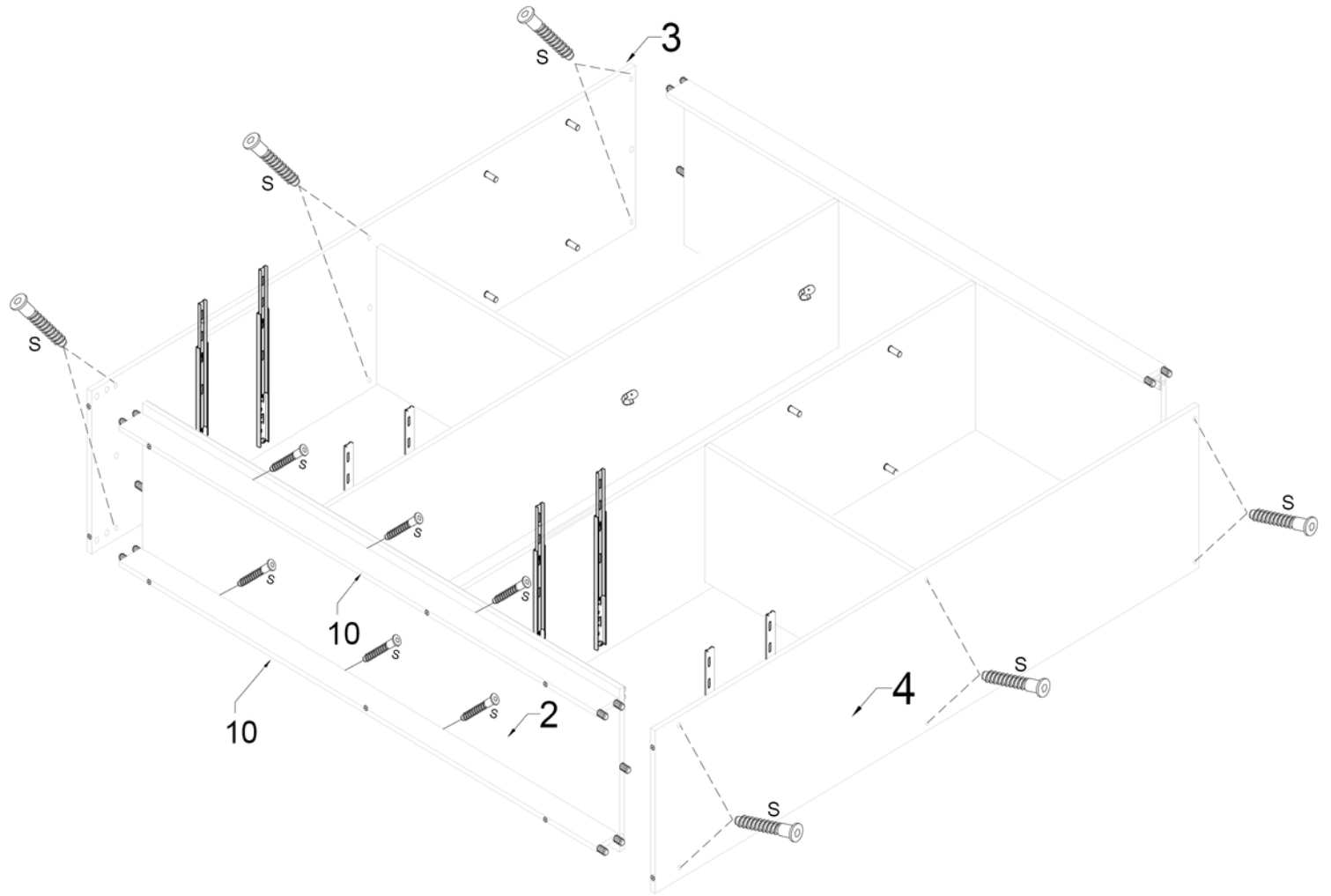


12

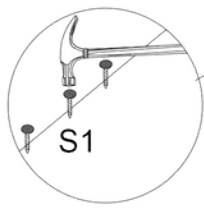


13

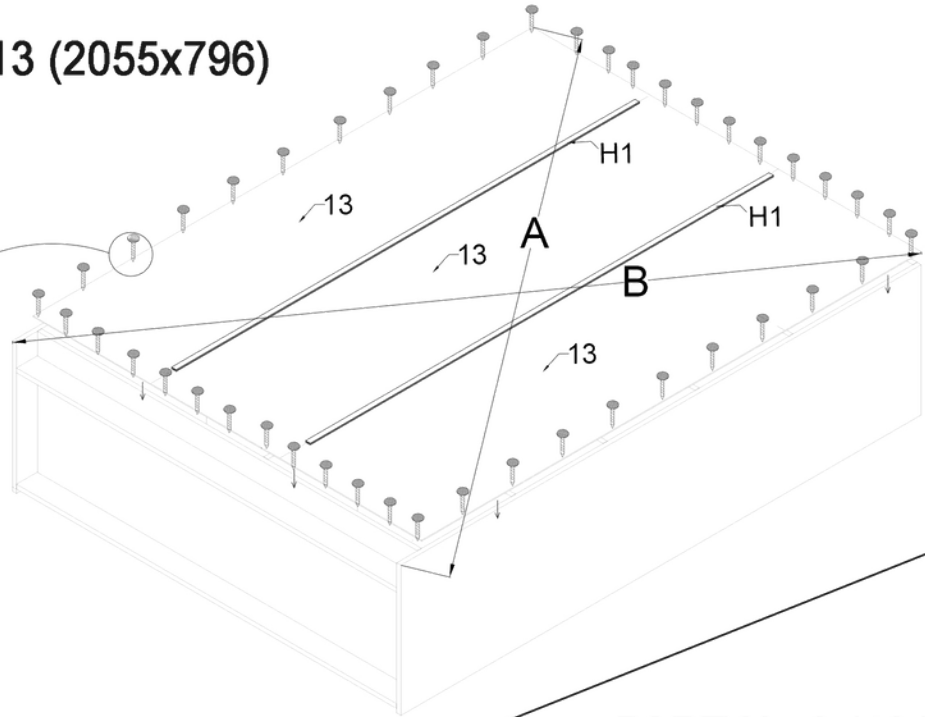
PART No.3 (2160x610), PART No.10(100x1968)
PART No.2 (1968x610), PART No.4(2160x610)



14 PART No.13 (2055x796)



A=B



PART No.8 (481x470)

15

