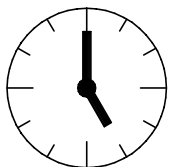
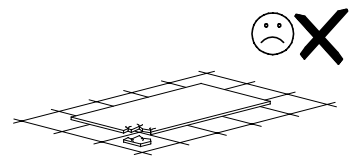
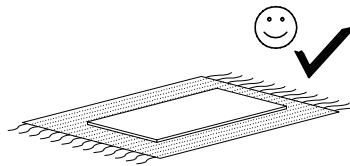
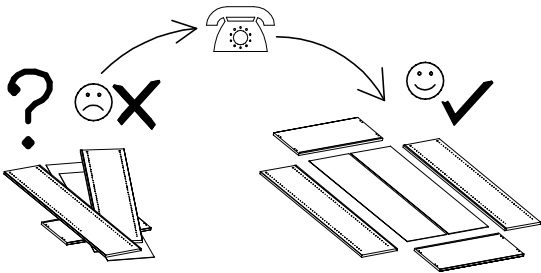
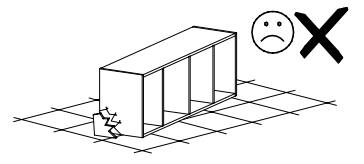
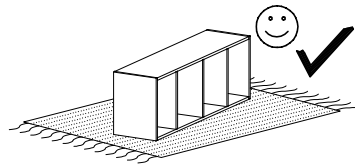
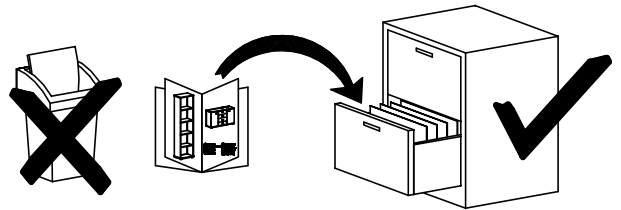
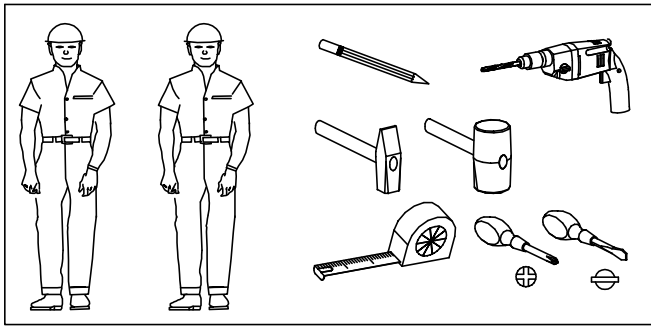
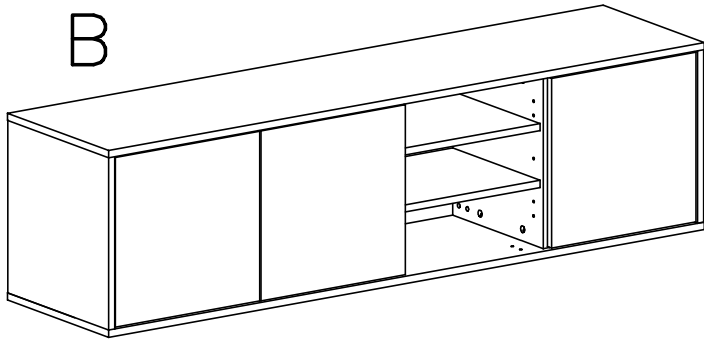
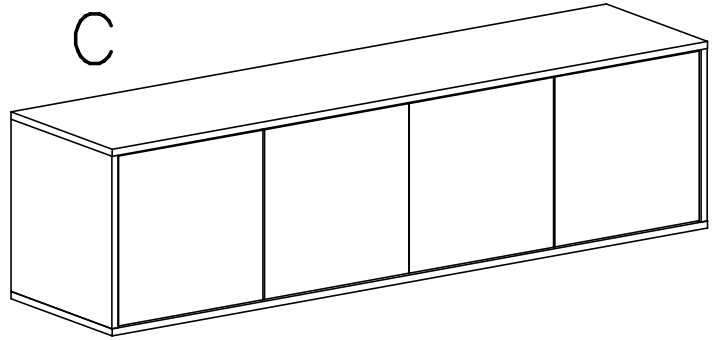
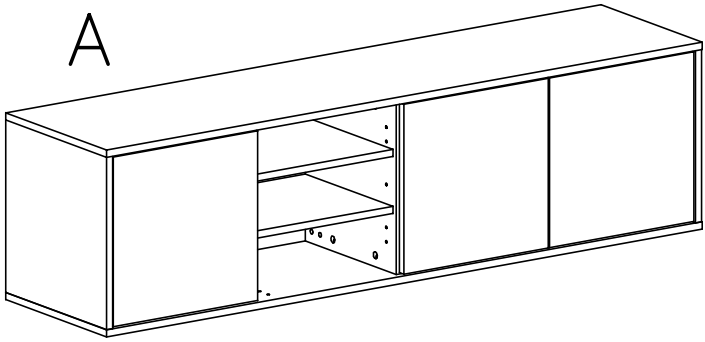
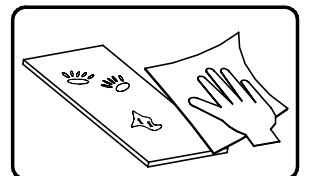
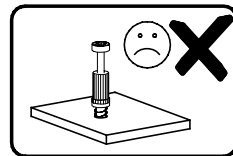
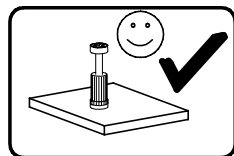
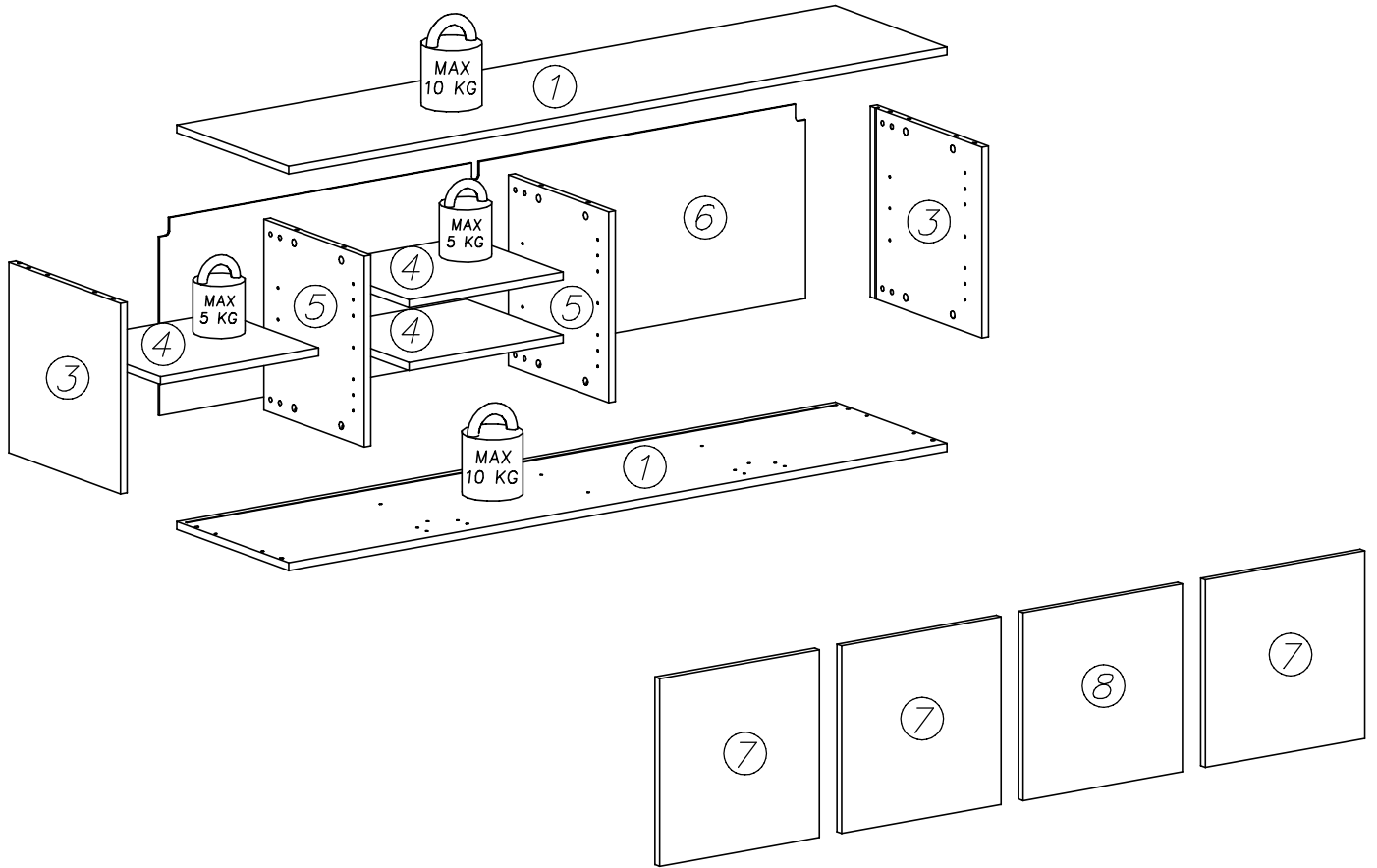
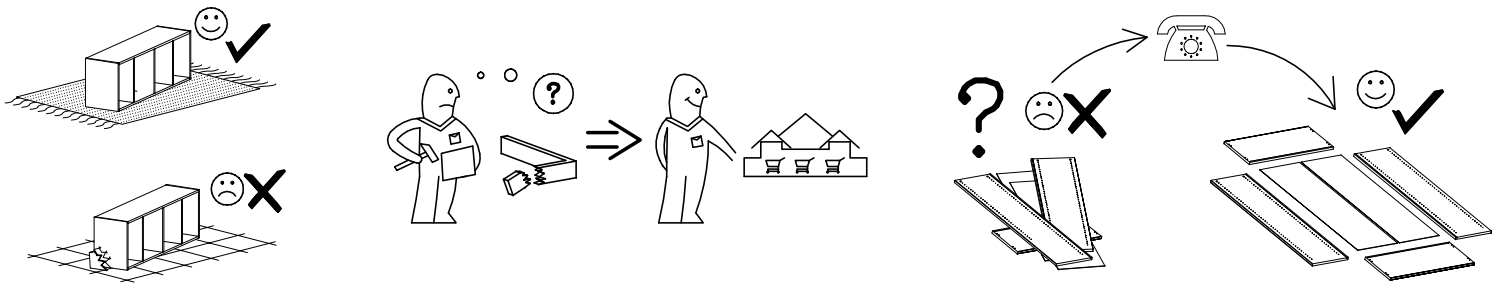


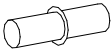
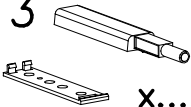

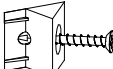

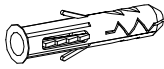

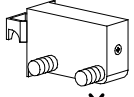
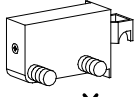



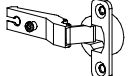
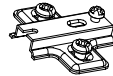


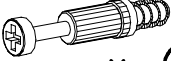


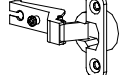

# SANAYI



1,5h



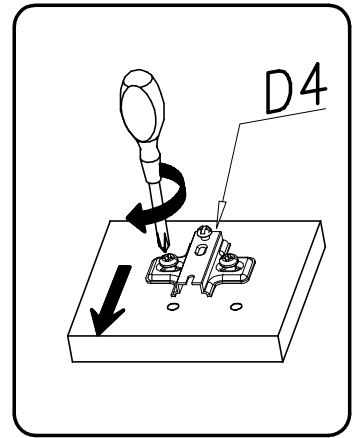
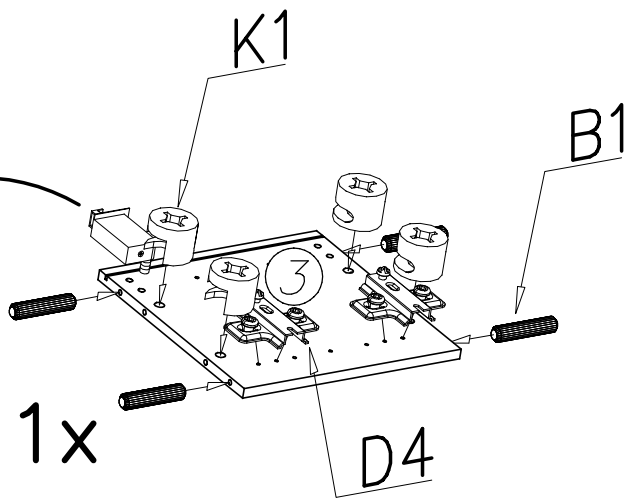
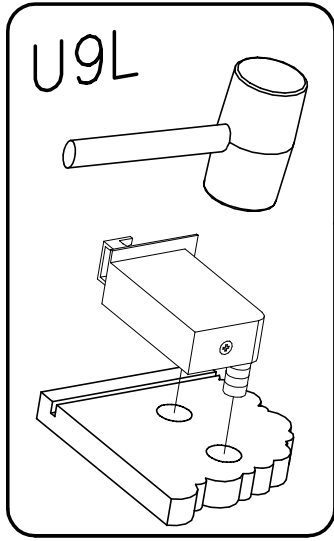
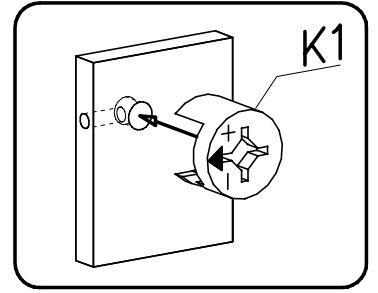
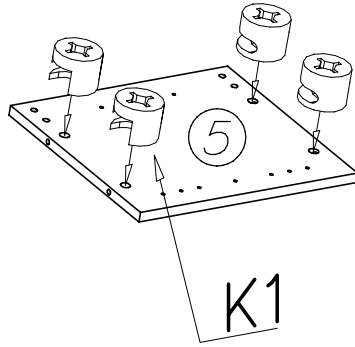


F2  x...(12)	L13  x...(4)	G34  3,5x16 x...(22)	I1  x...(10)	U7  x...(3)	U8  ø10x60 x...(3)
G50  6x13 x...(8)	U9L  x...(1)	U9R  x...(2)	U10L  x...(1)	U10R  x...(2)	
K1  ø15x12 x...(16)	C10  Z35PL x...(4)	D10  PZ35PL x...(4)	I4  ø5 x...(10)	I10  ø10 x...(10)	
K10  x...(16)	B1  ø8x35 x...(8)	I7  x...(16)	C4  Z350D x...(4)	D4  PZ350D x...(4)	H=2

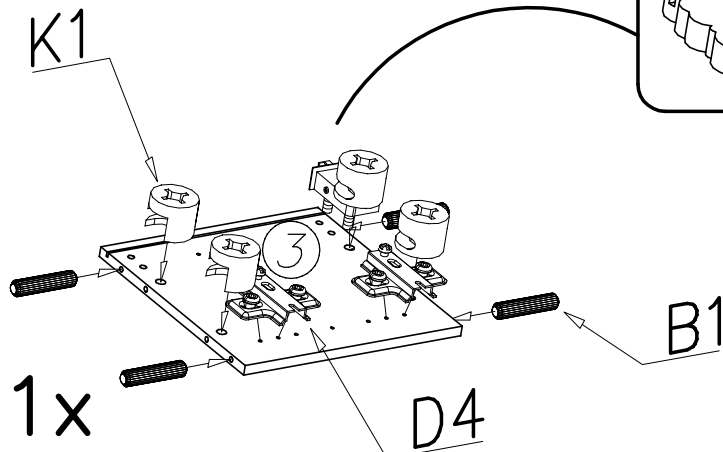
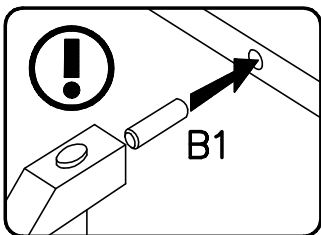
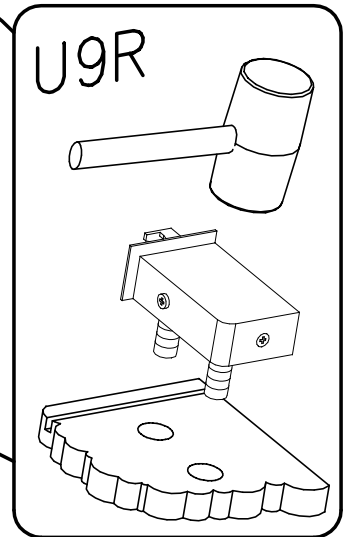
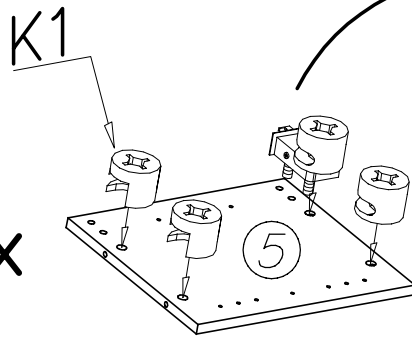
I



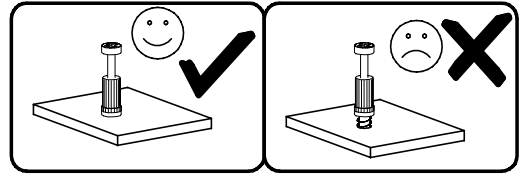
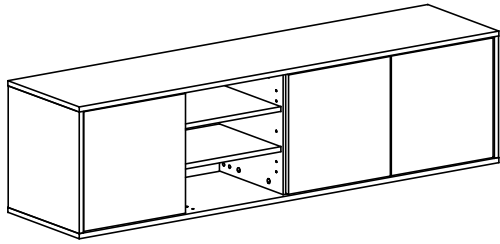
1x



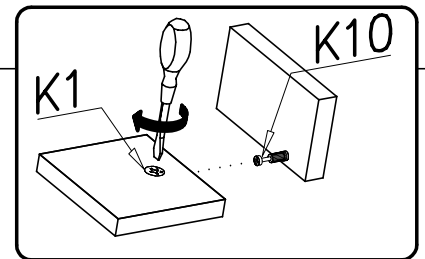
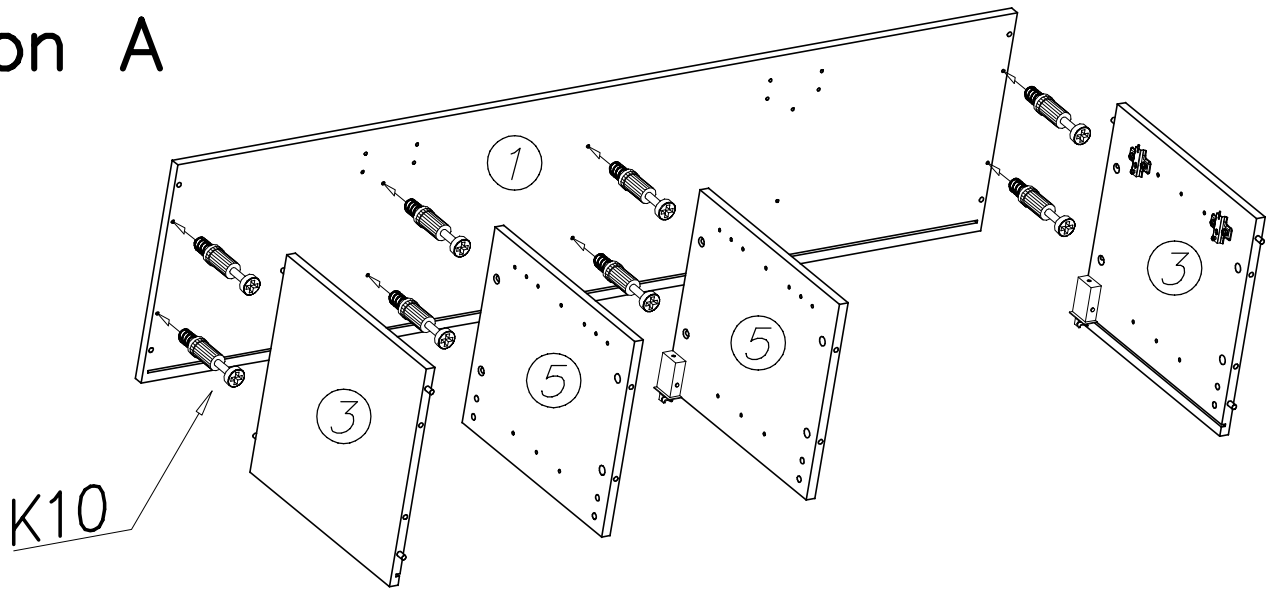
1x



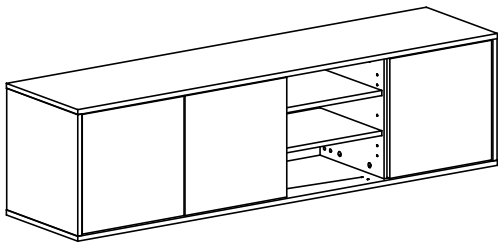
II



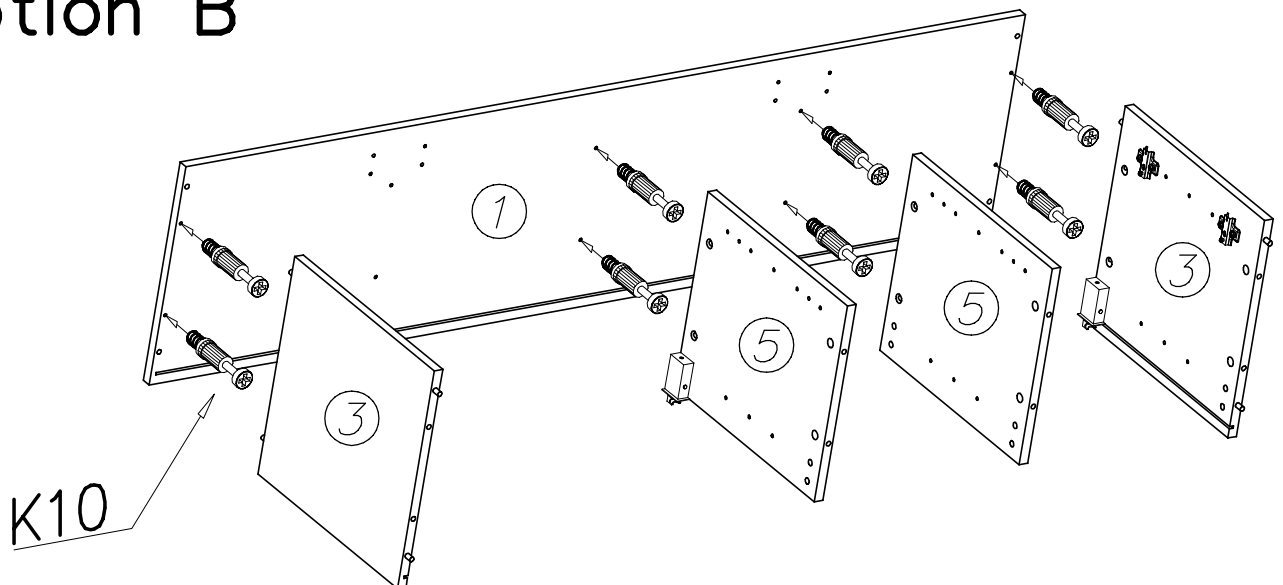
Option A



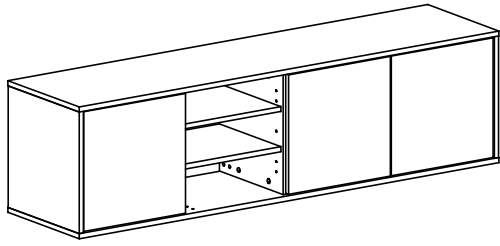
II



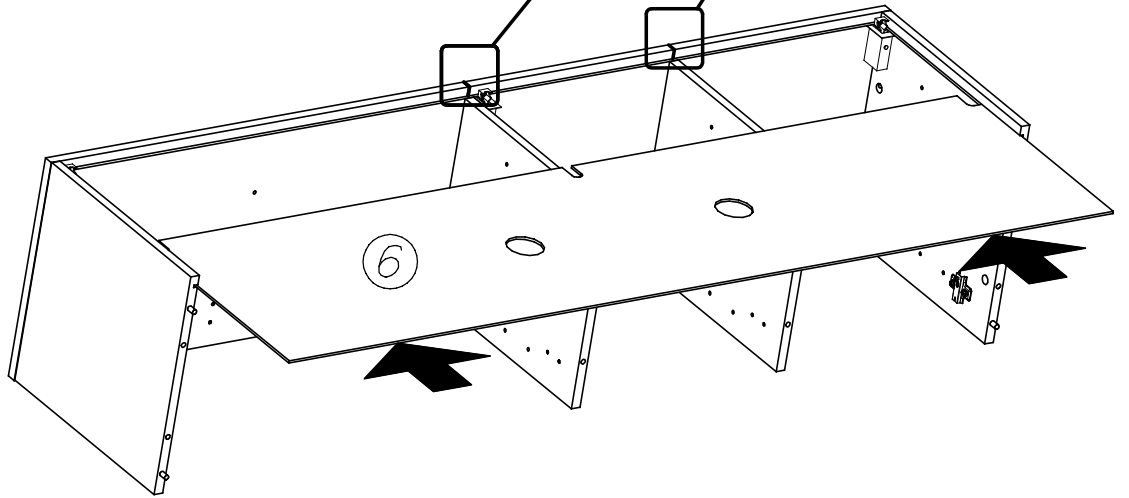
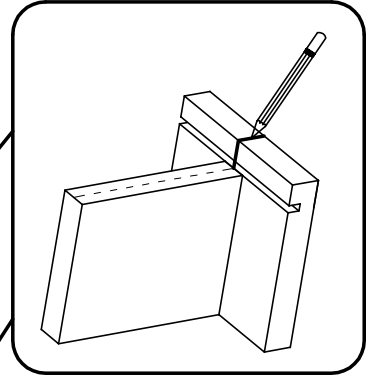
Option B



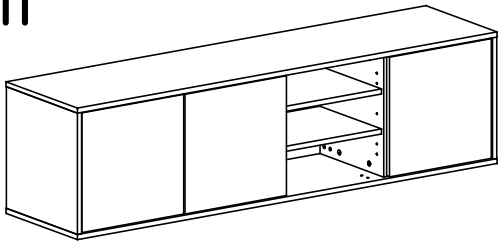
III



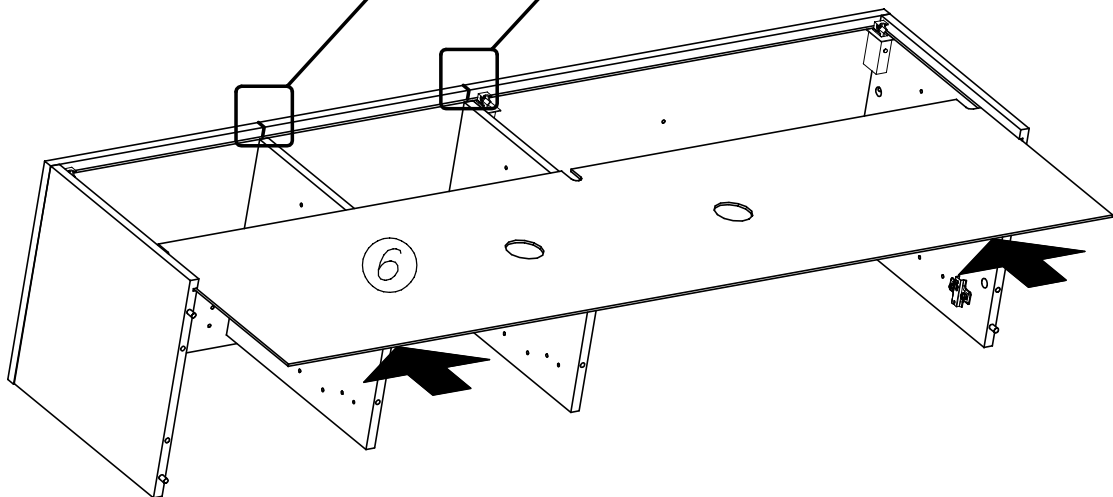
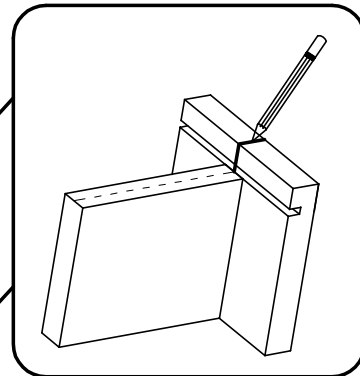
Option A



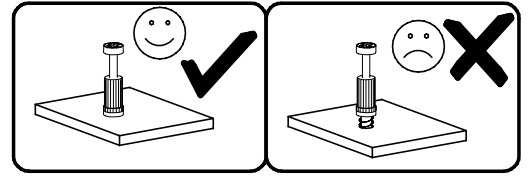
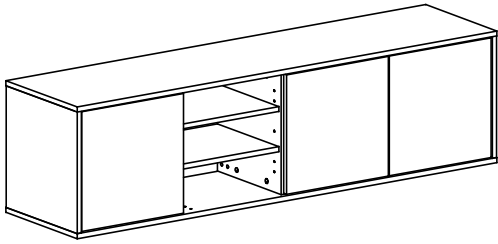
III



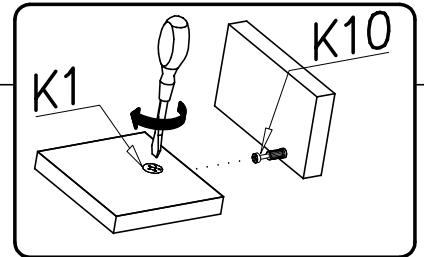
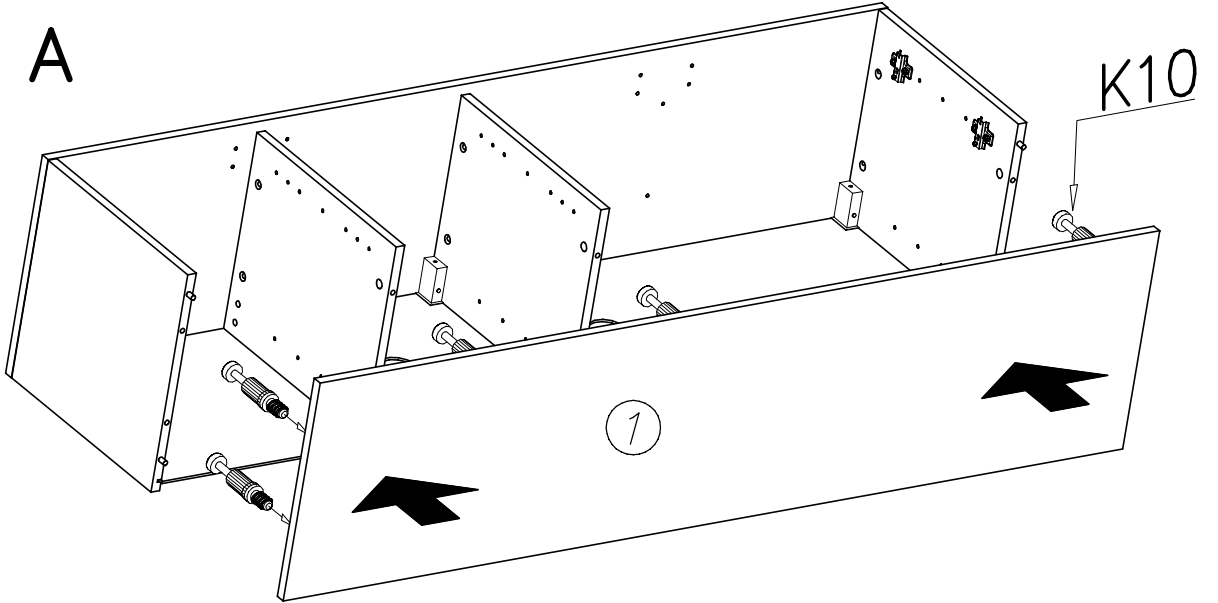
Option B



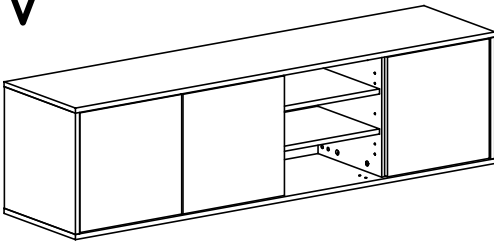
IV



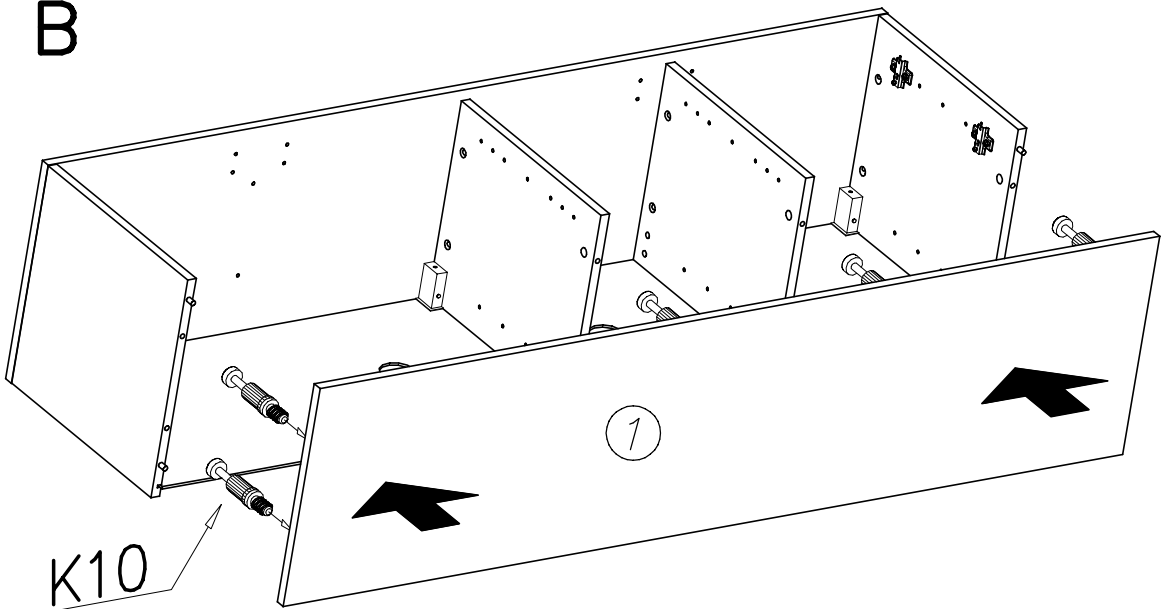
Option A



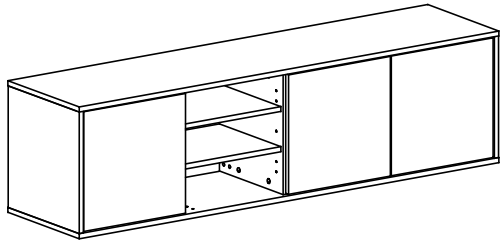
IV



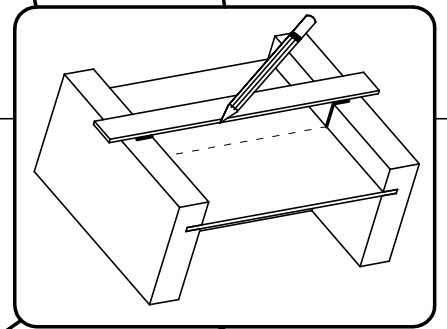
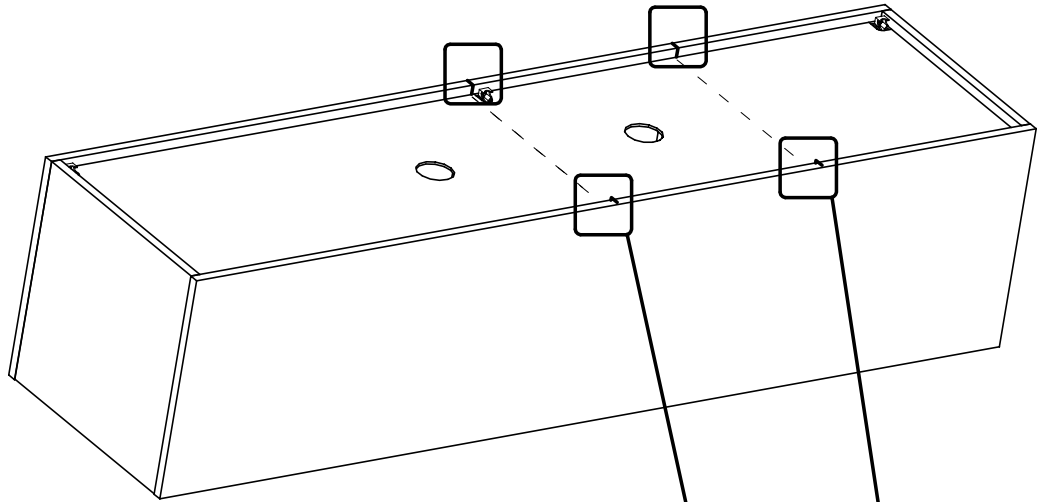
Option B



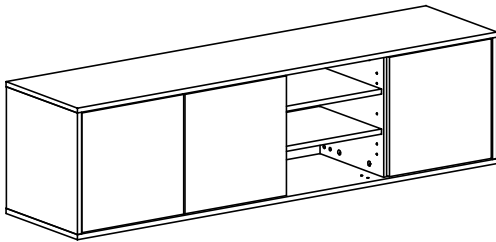
V



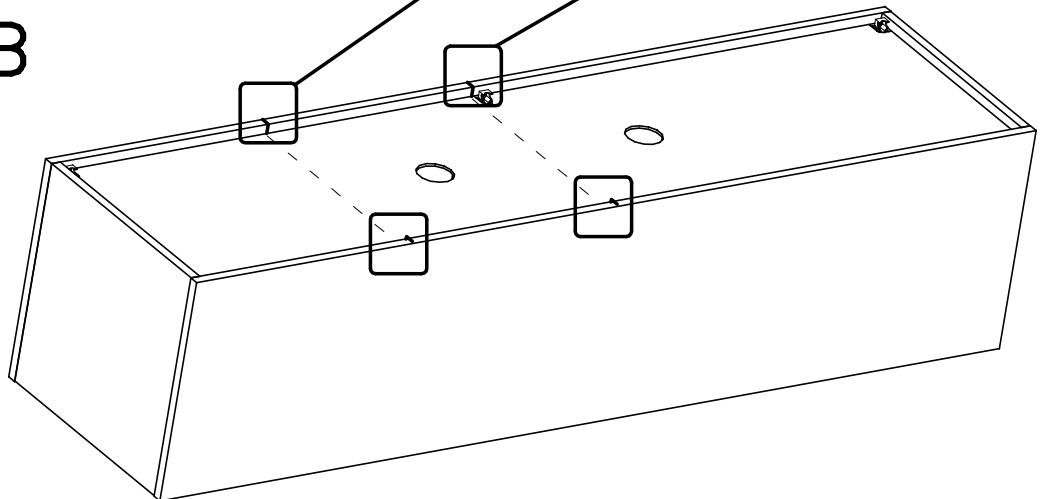
Option A



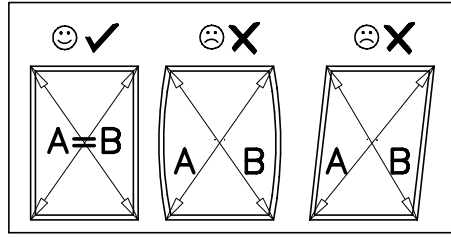
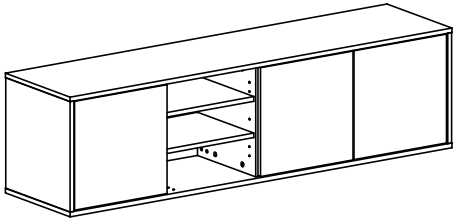
V



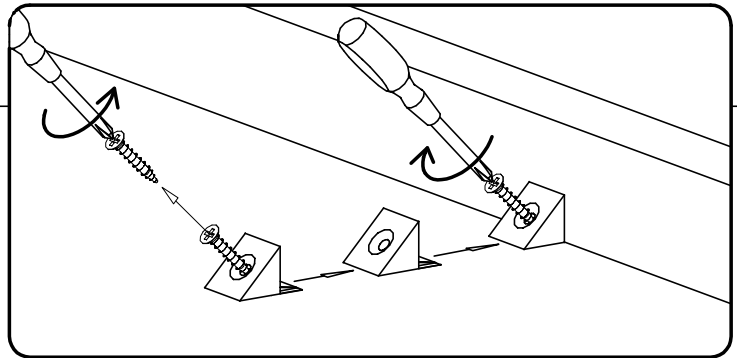
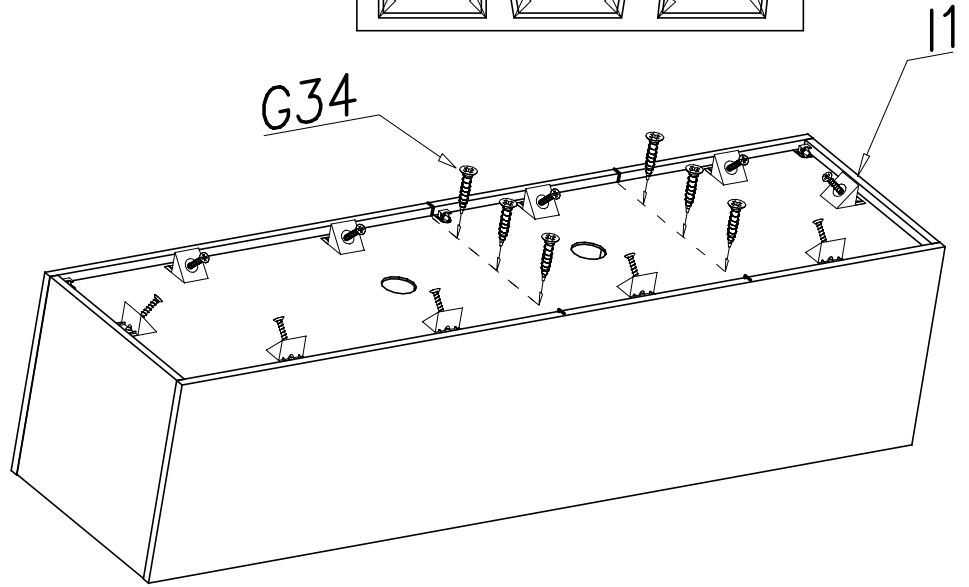
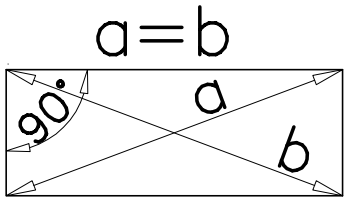
Option B



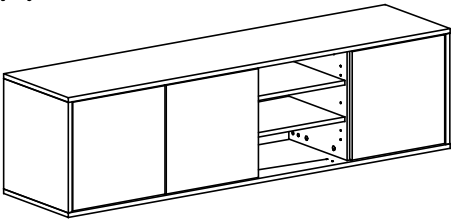
VI



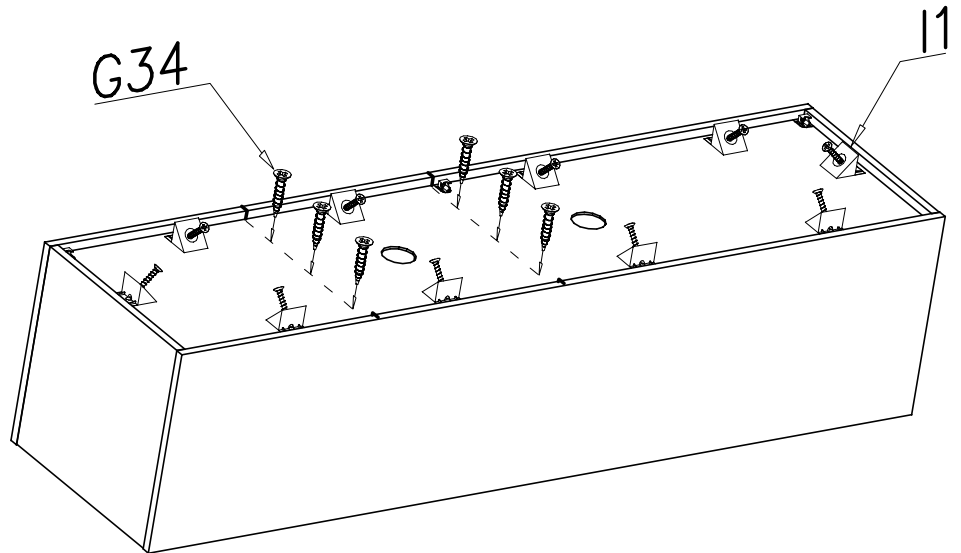
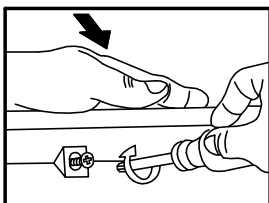
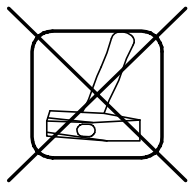
Option A



VI

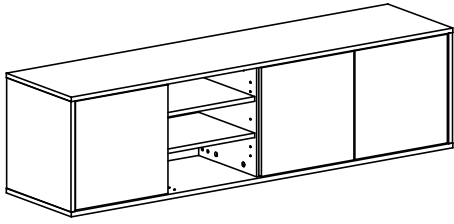


Option B

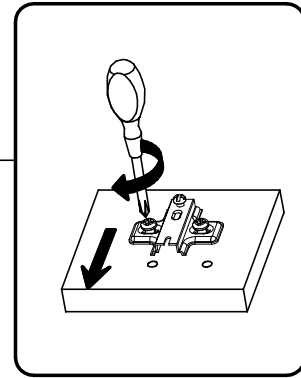
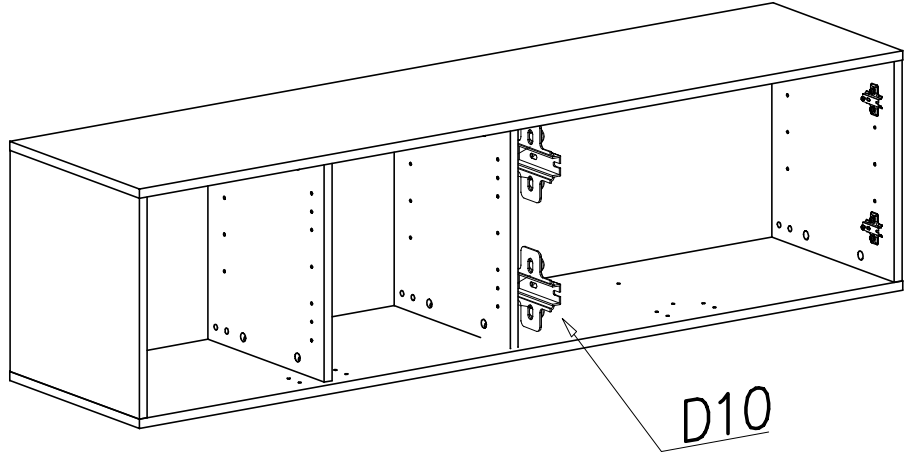




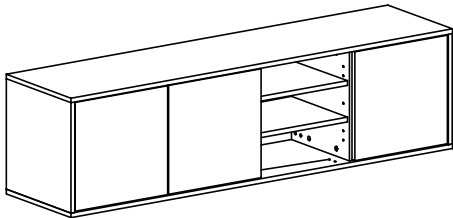
VII



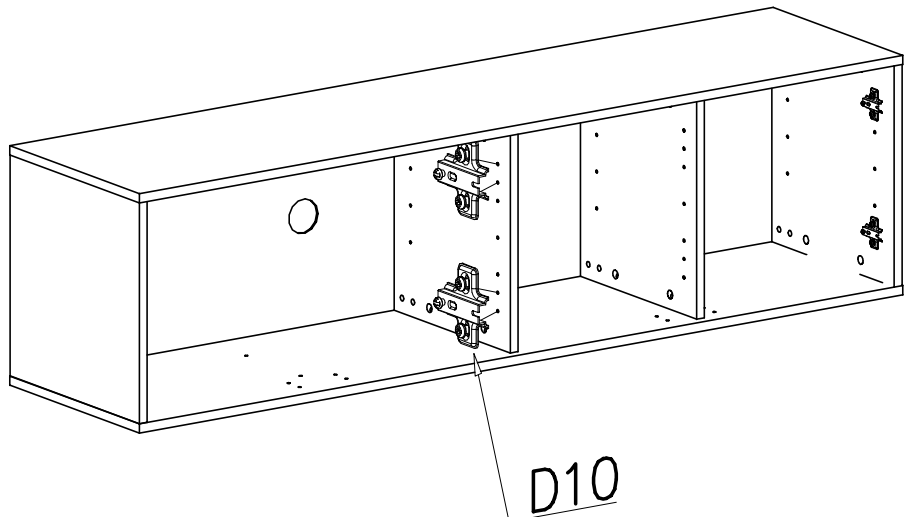
Option A



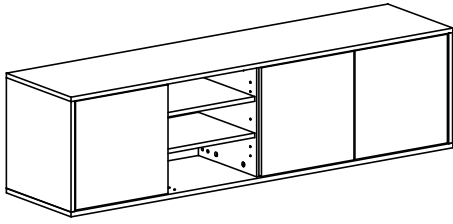
VII



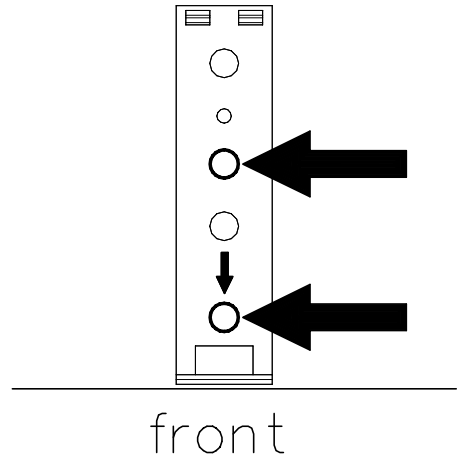
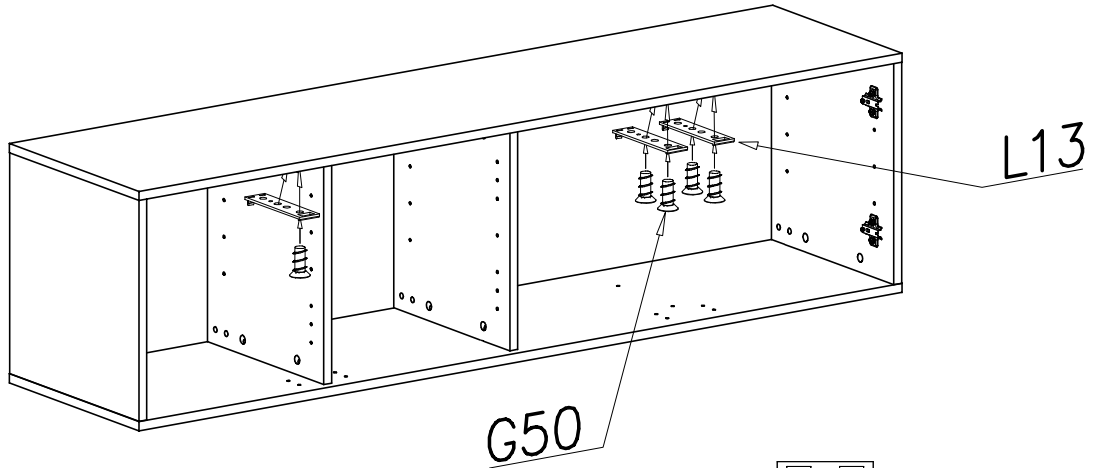
Option B



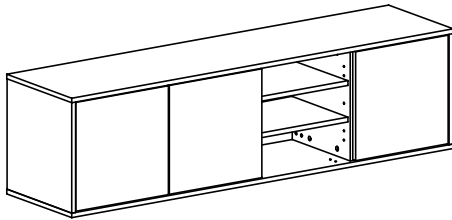
VIII



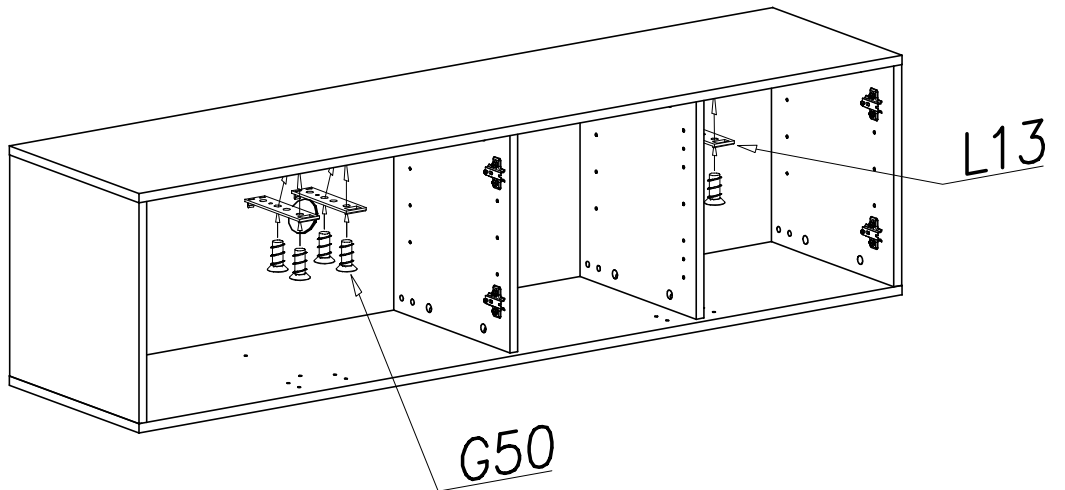
Option A



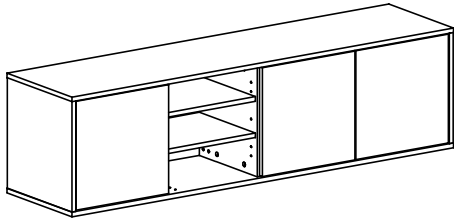
VIII



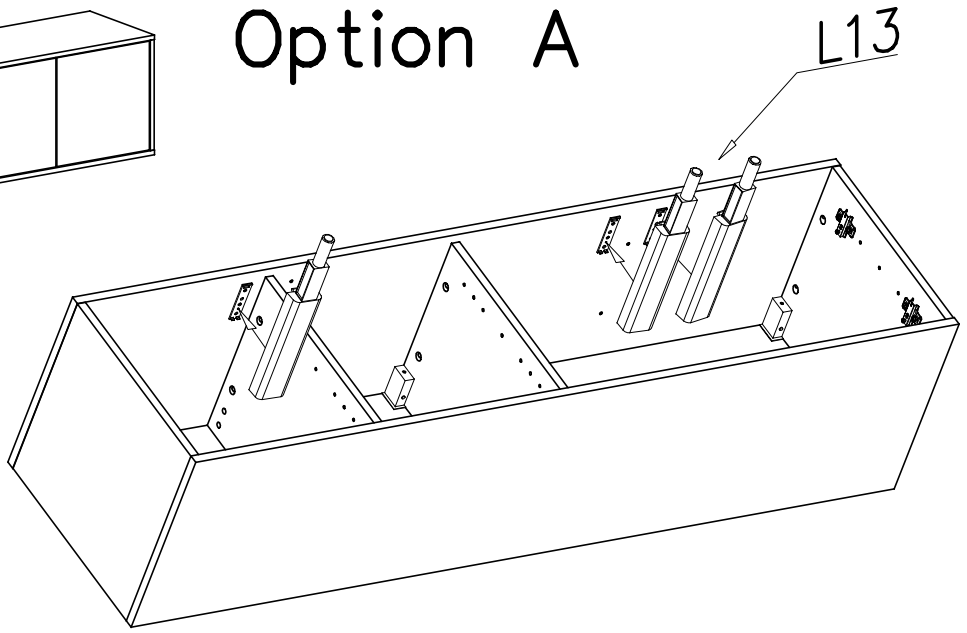
Option B



IX

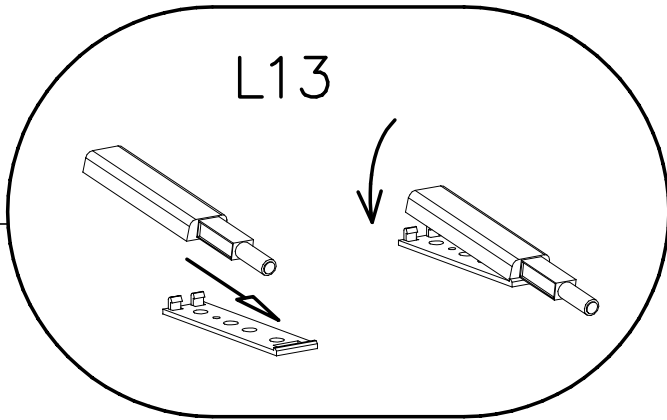


Option A

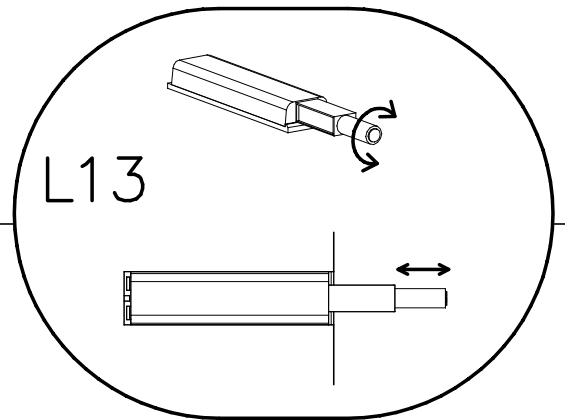


L13

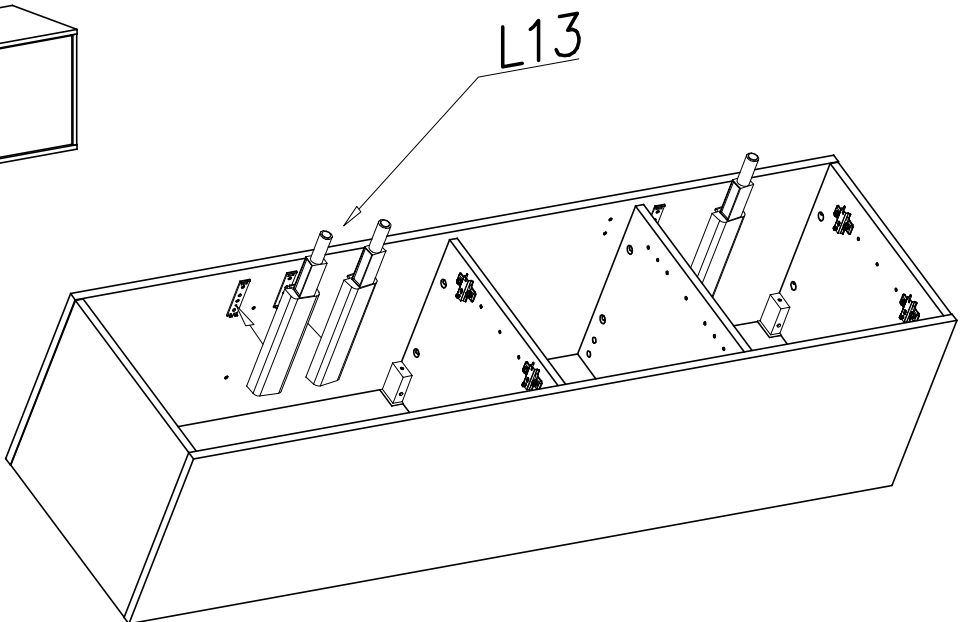
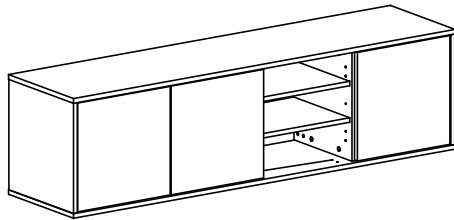
IX



L13



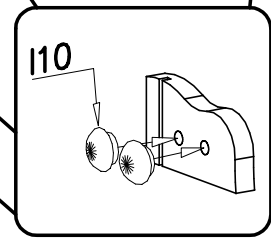
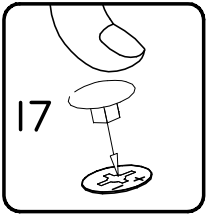
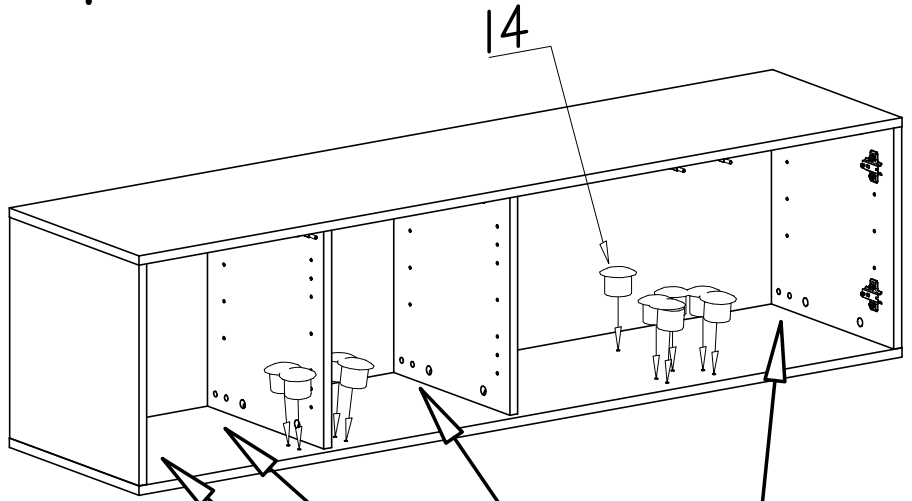
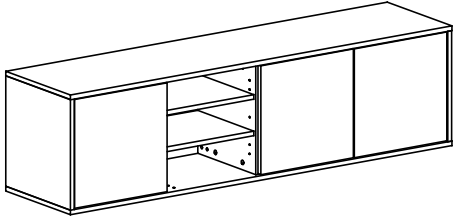
L13



L13

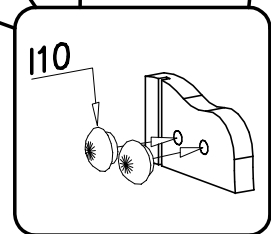
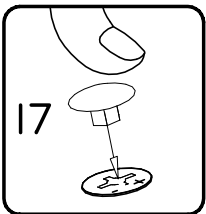
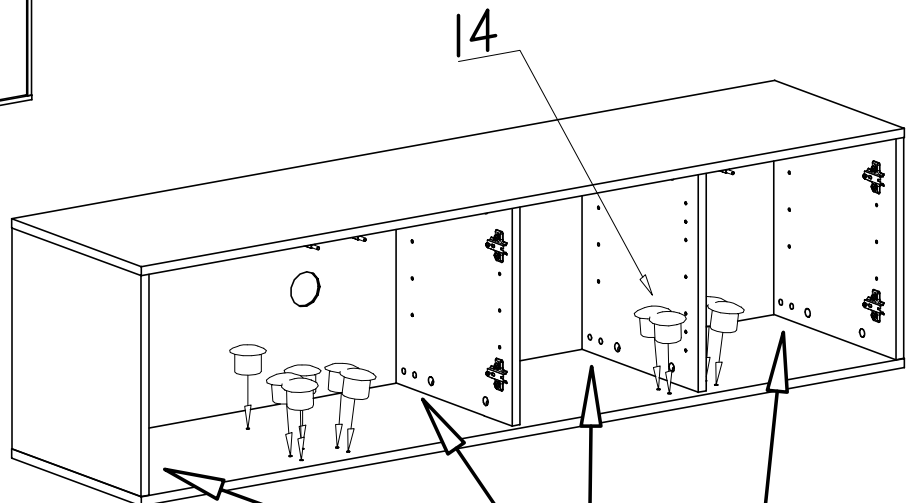
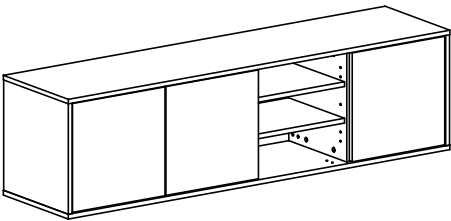
X

Option A

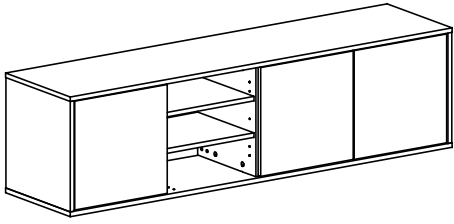


X

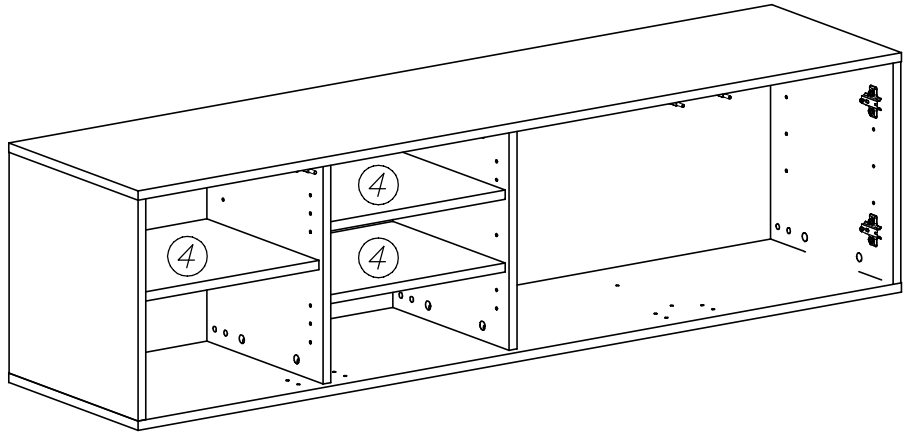
Option B



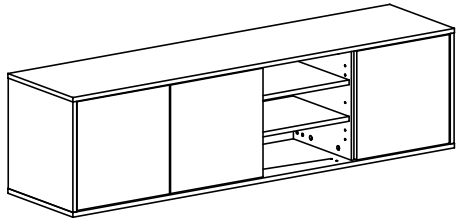
XI



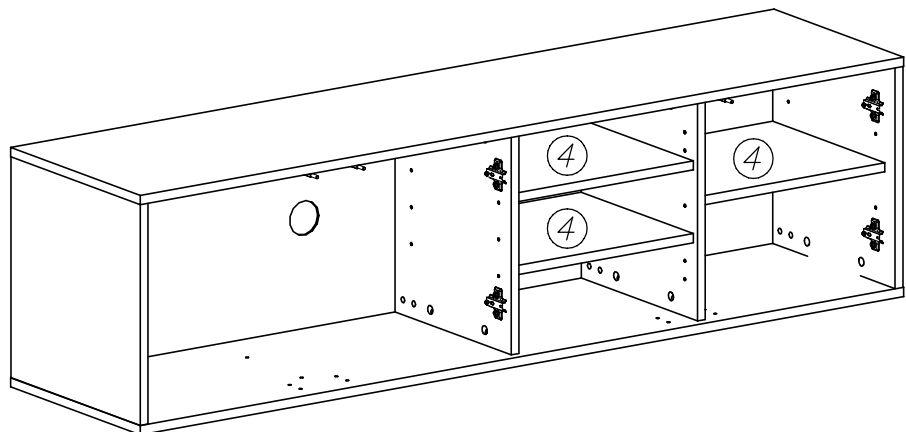
Option A



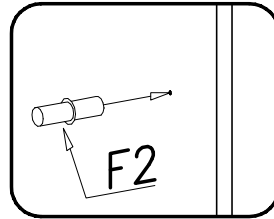
XI



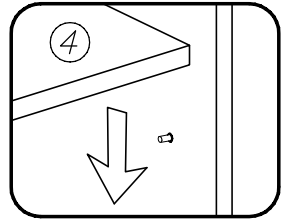
Option B



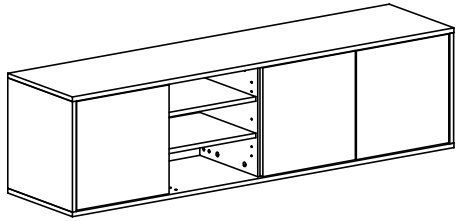
1



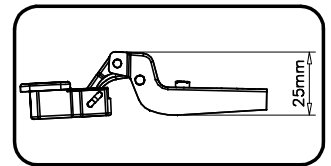
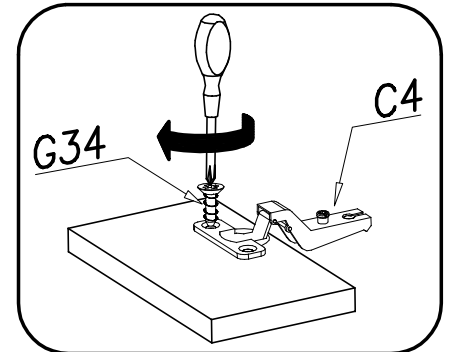
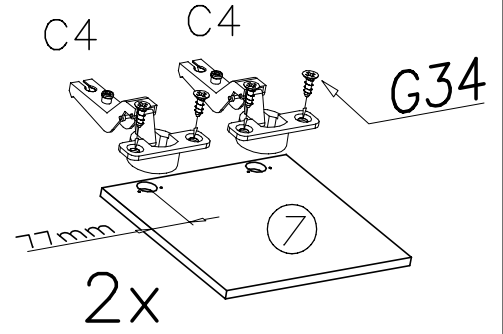
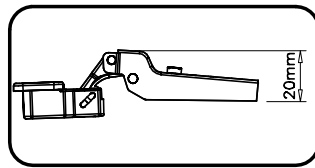
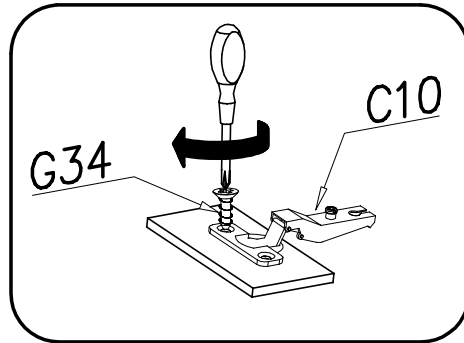
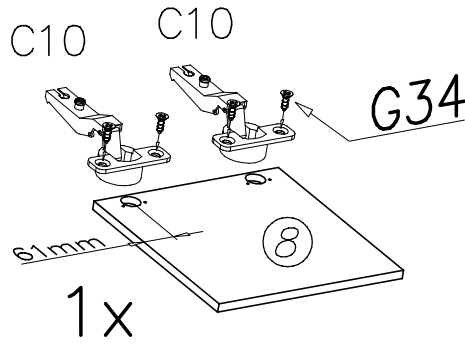
2



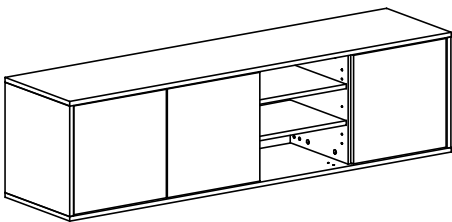
XII



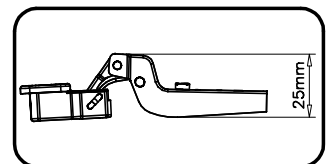
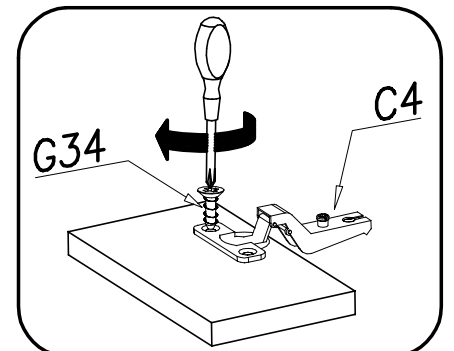
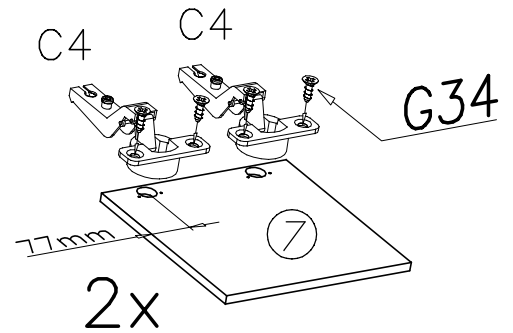
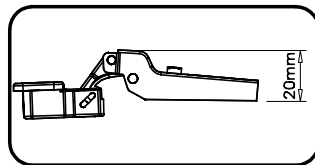
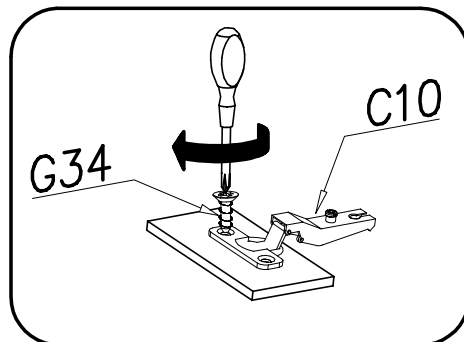
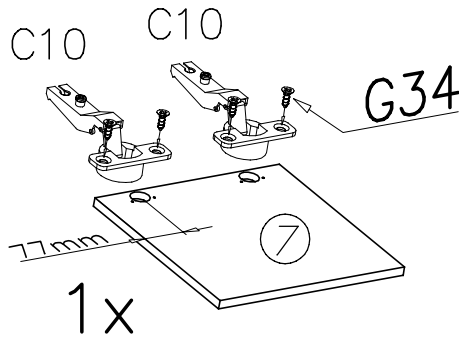
Option A



XII

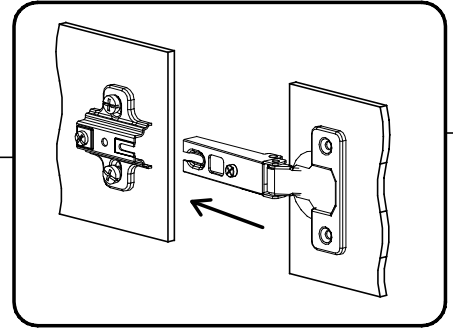
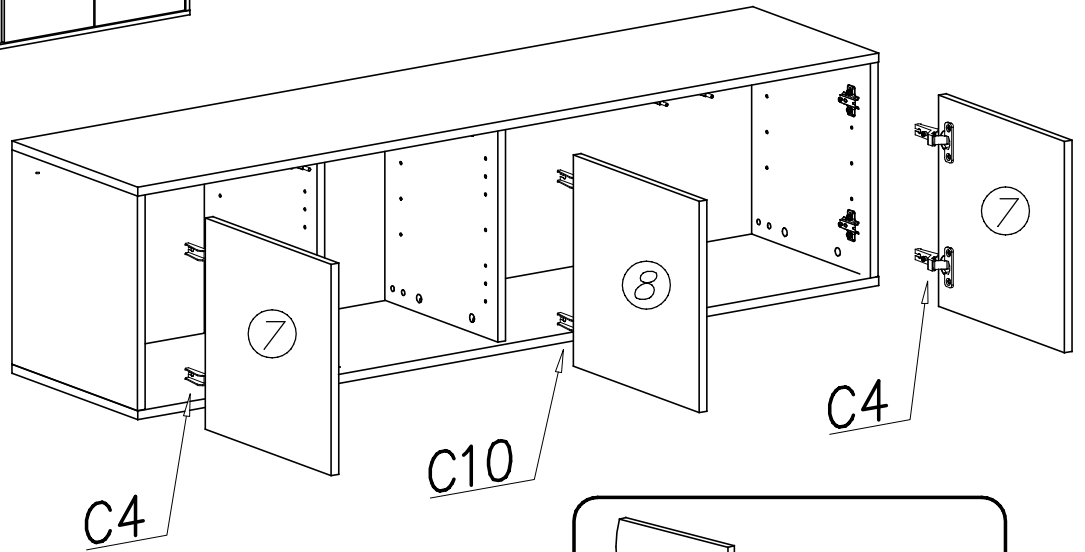
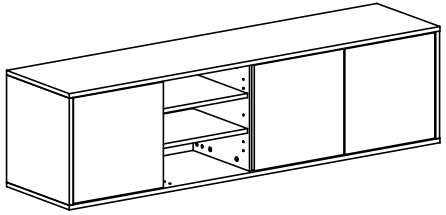


Option B



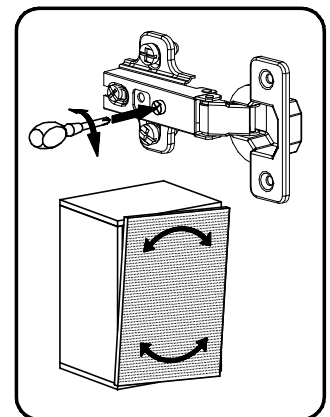
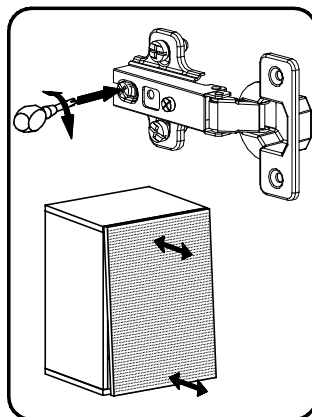
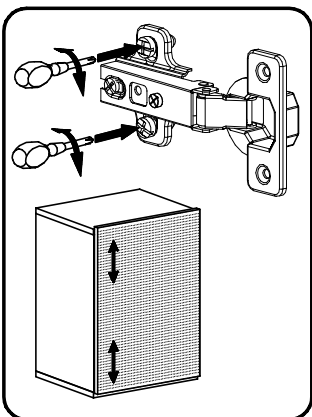
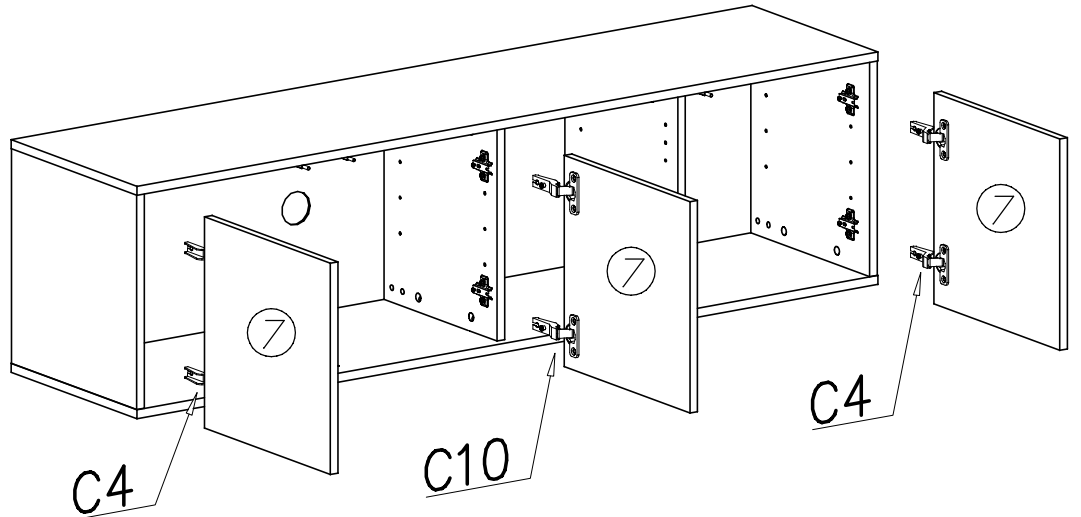
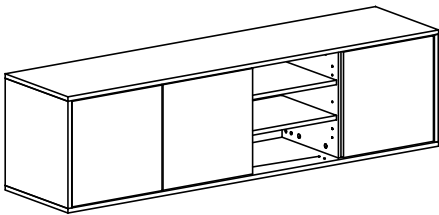
XIII

Option A

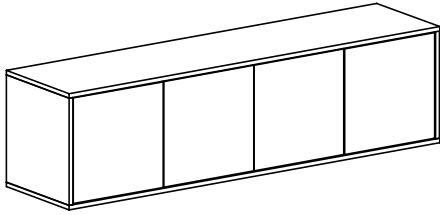


XIII

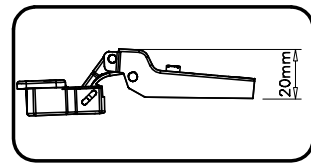
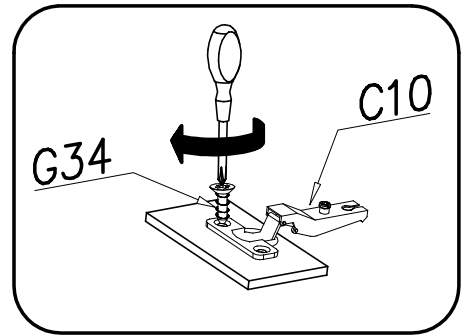
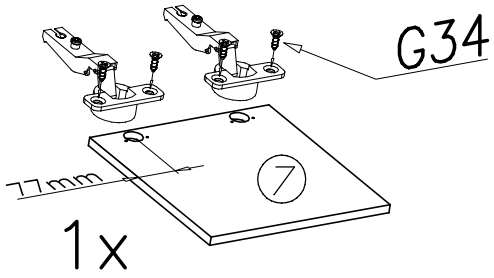
Option B



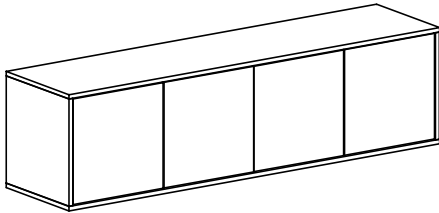
XIV



Option C



XV



Option C

