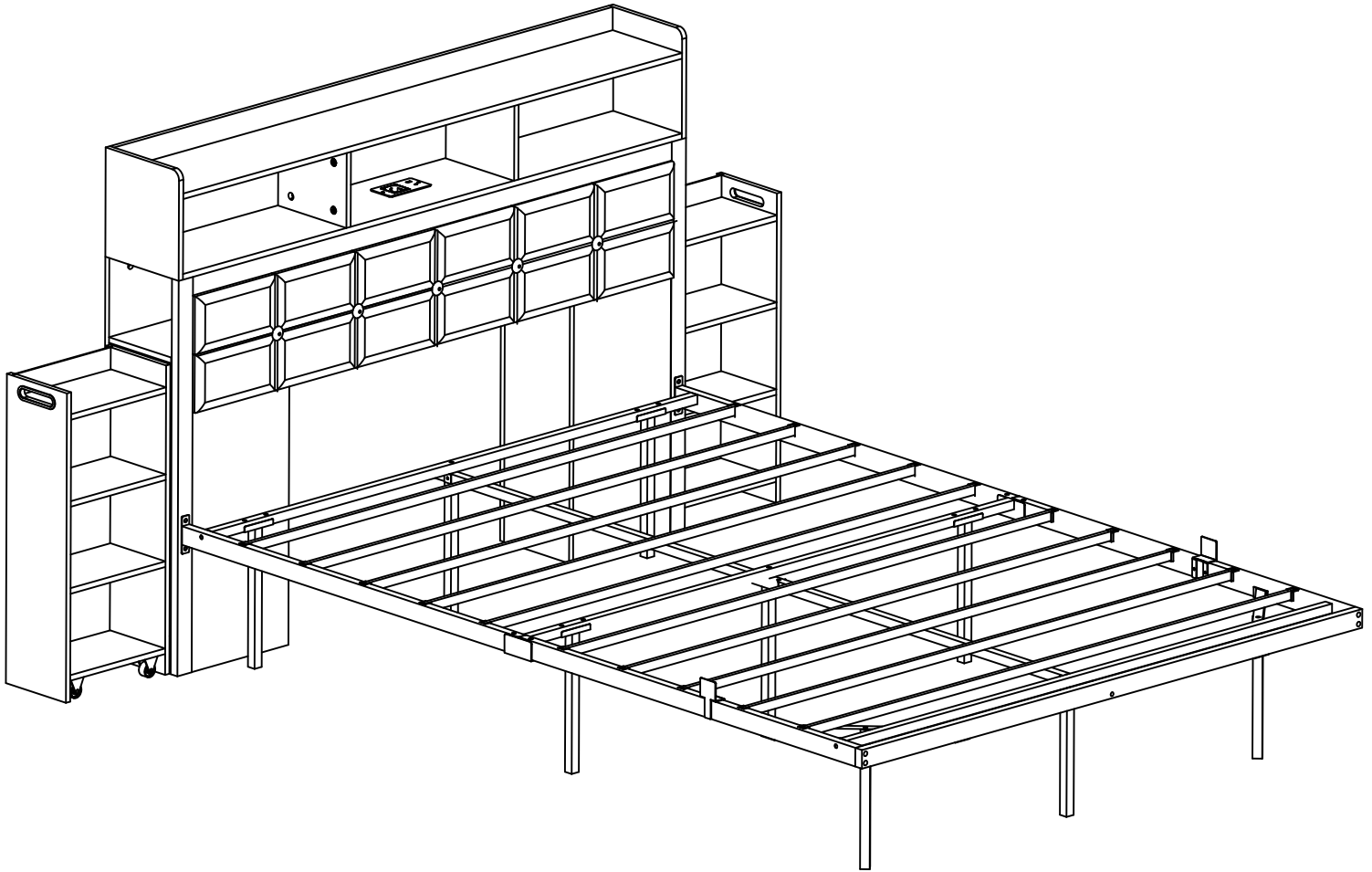
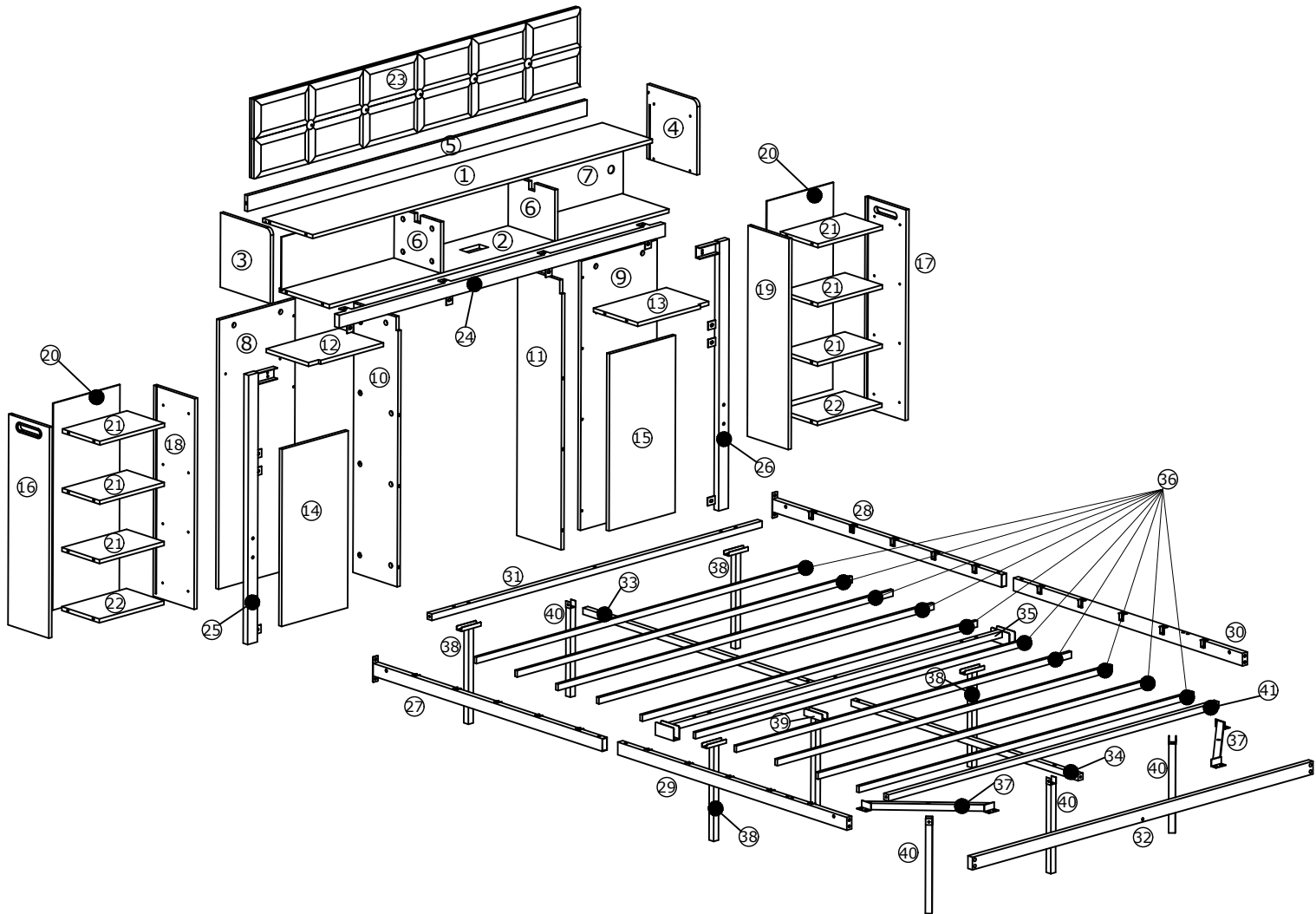


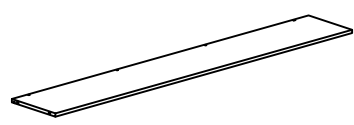
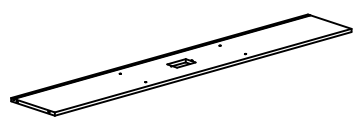
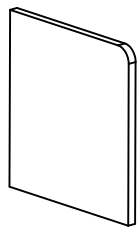
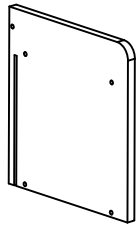
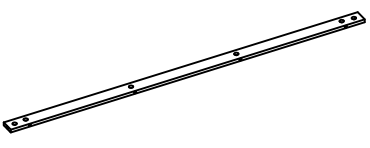
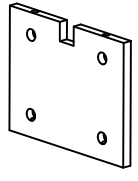
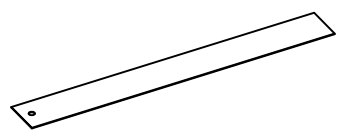
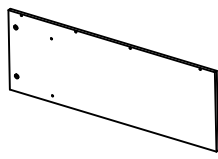
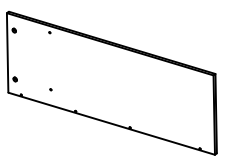
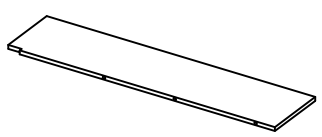
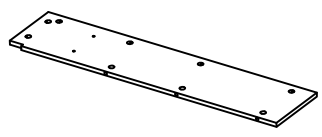
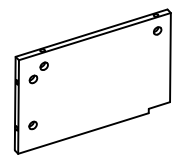
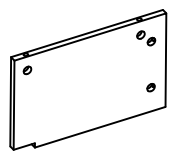
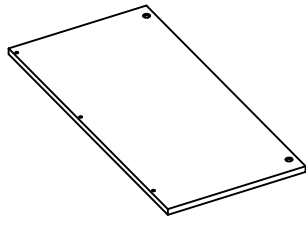
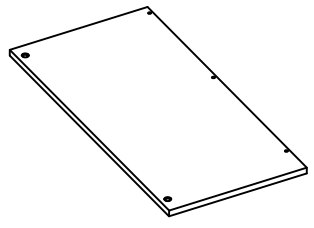
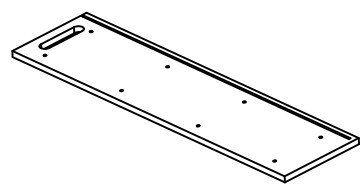
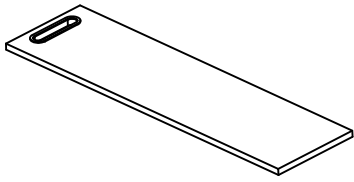
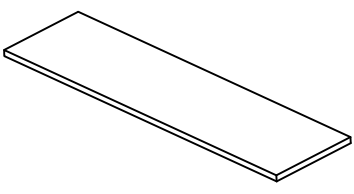
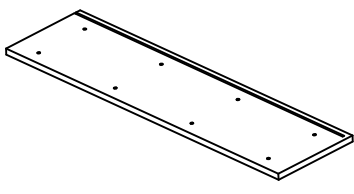
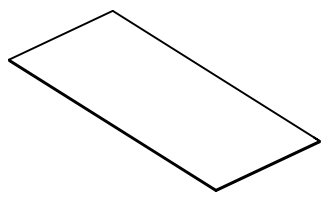
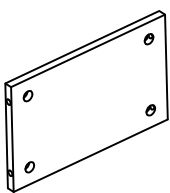
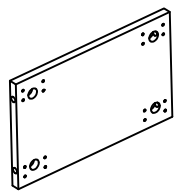
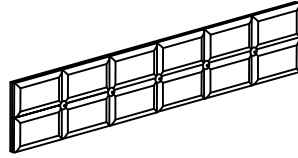
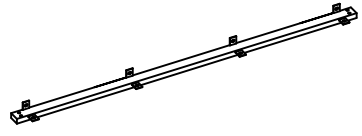
ASSEMBLY INSTRUCTION



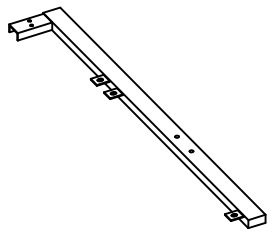
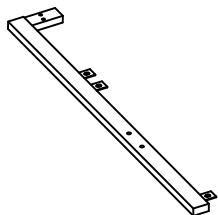
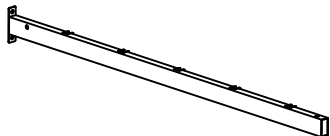
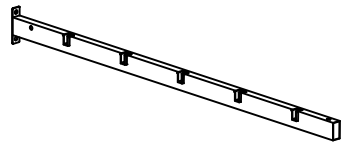
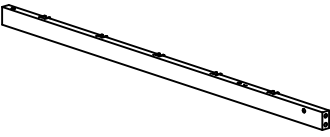
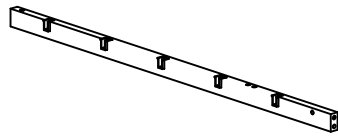







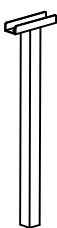
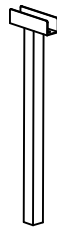


EXPLODED DRAWING



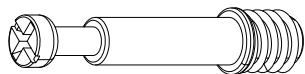
PARTS

<p>①</p>  <p>x1</p>	<p>②</p>  <p>x1</p>	<p>③</p>  <p>x1</p>	<p>④</p>  <p>x1</p>
<p>⑤</p>  <p>x1</p>	<p>⑥</p>  <p>x2</p>	<p>⑦</p>  <p>x1</p>	<p>⑧</p>  <p>x1</p>
<p>⑨</p>  <p>x1</p>	<p>⑩</p>  <p>x1</p>	<p>⑪</p>  <p>x1</p>	<p>⑫</p>  <p>x1</p>
<p>⑬</p>  <p>x1</p>	<p>⑭</p>  <p>x1</p>	<p>⑮</p>  <p>x1</p>	<p>⑯</p>  <p>x1</p>
<p>⑰</p>  <p>x1</p>	<p>⑱</p>  <p>x1</p>	<p>⑲</p>  <p>x1</p>	<p>⑳</p>  <p>x2</p>
<p>㉑</p>  <p>x6</p>	<p>㉒</p>  <p>x2</p>	<p>㉓</p>  <p>x1</p>	<p>㉔</p>  <p>x1</p>

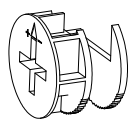
PARTS

<p>25</p>  <p>x1</p>	<p>26</p>  <p>x1</p>	<p>27</p>  <p>x1</p>	<p>28</p>  <p>x1</p>
<p>29</p>  <p>x1</p>	<p>30</p>  <p>x1</p>	<p>31</p>  <p>x1</p>	<p>32</p>  <p>x1</p>
<p>33</p>  <p>x1</p>	<p>34</p>  <p>x1</p>	<p>35</p>  <p>x1</p>	<p>36</p>  <p>x10</p>
<p>37</p>  <p>x2</p>	<p>38</p>  <p>x4</p>	<p>39</p>  <p>x1</p>	<p>40</p>  <p>x4</p>
<p>41</p>  <p>x1</p>			

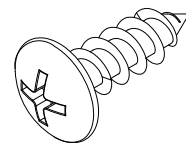
Hardware



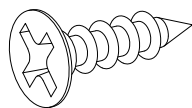
Φ6x35
A × 84



Φ15x10
B × 84



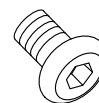
Φ8xΦ4x10
C × 32



Φ3.5x10
D × 2



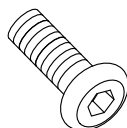
M6x10
E × 14



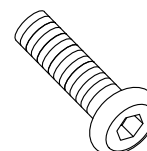
M6x15
F × 12



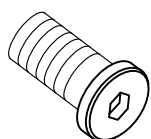
M6x25
G × 10



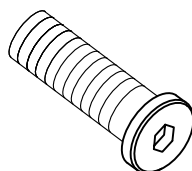
M6x35
H × 8



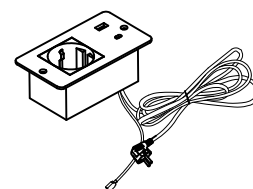
M6x50
I × 2



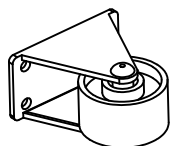
M8x20
J × 4



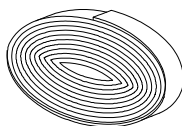
M8x45
K × 8



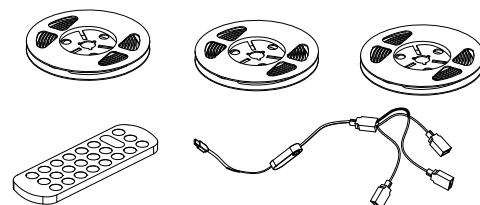
L × 1



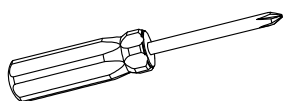
M × 8



N × 1



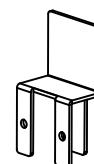
O × 1



P × 1

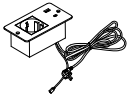


M4
Q × 1



R × 2

STEP 1



L

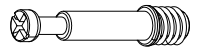
x1



$\Phi 3.5 \times 10$

D

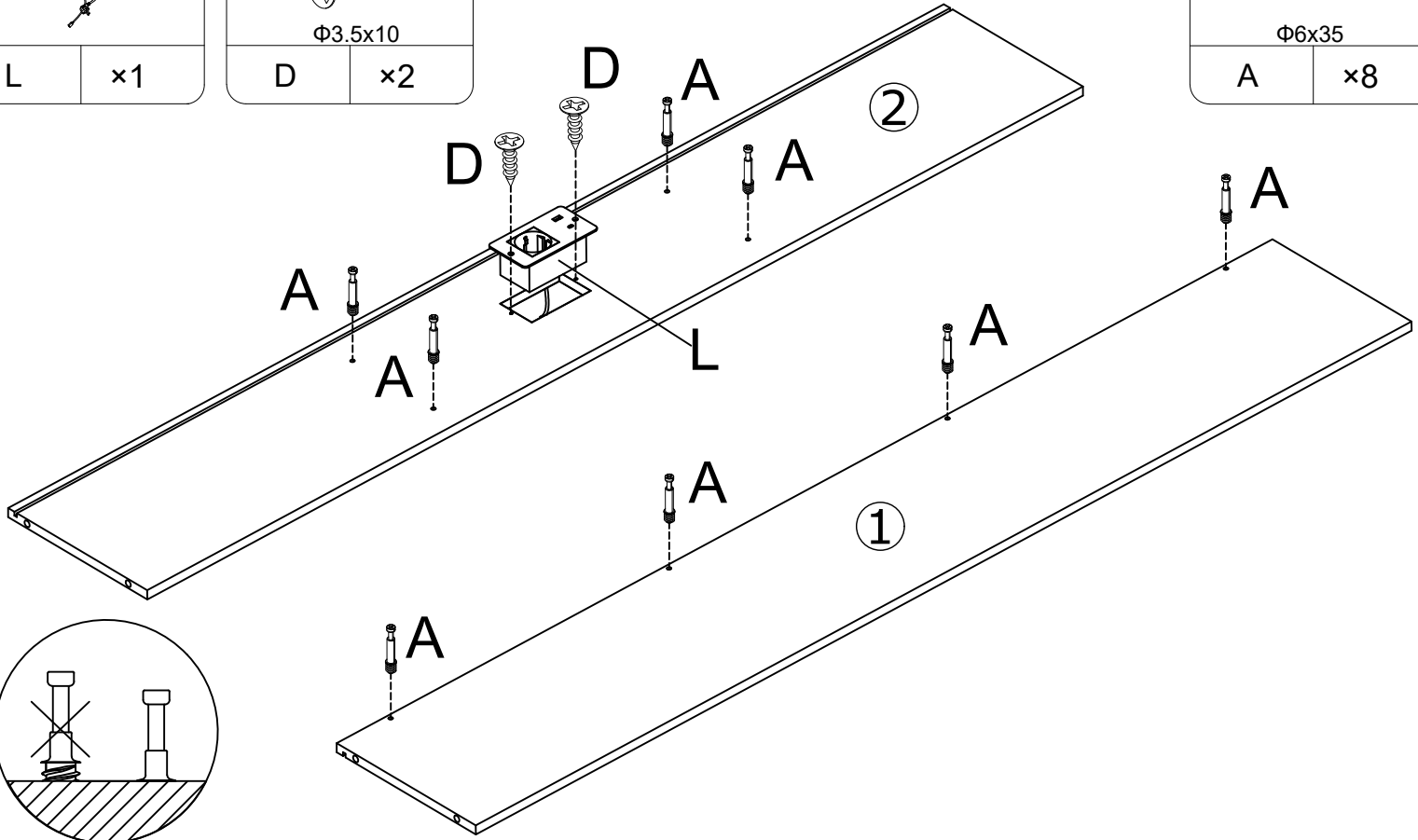
x2



$\Phi 6 \times 35$

A

x8



$\Phi 6 \times 35$

A

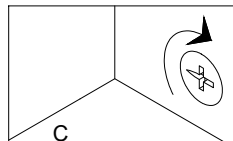
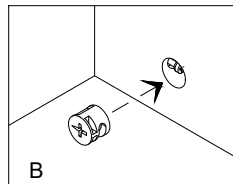
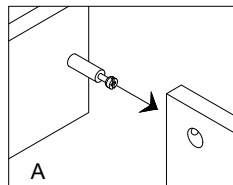
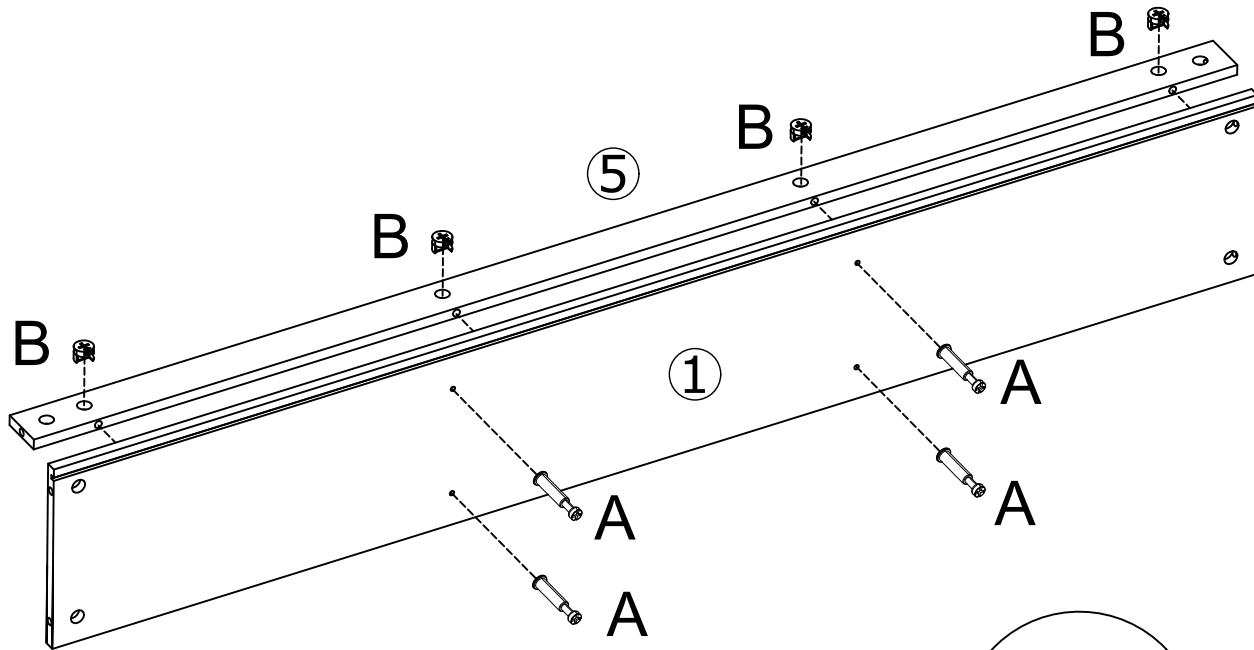
x4



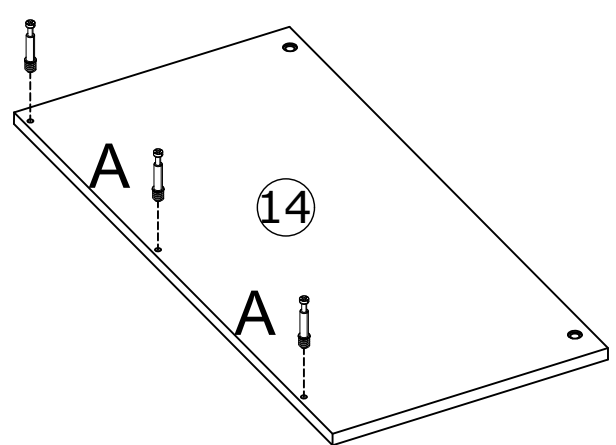
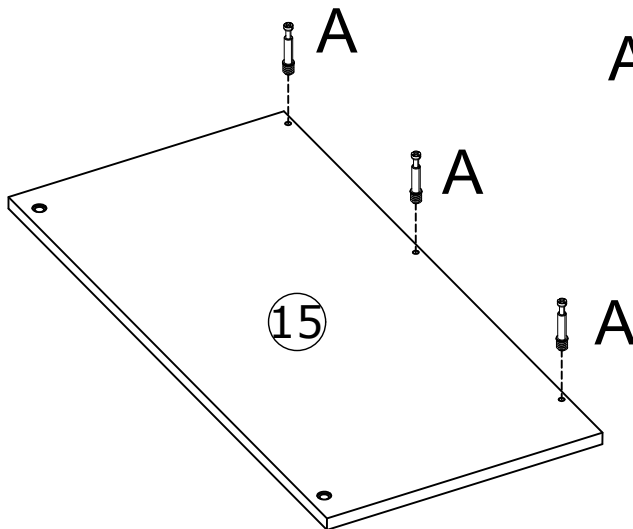
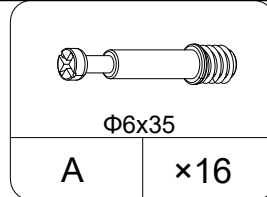
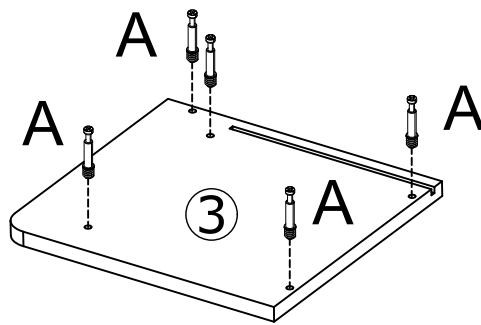
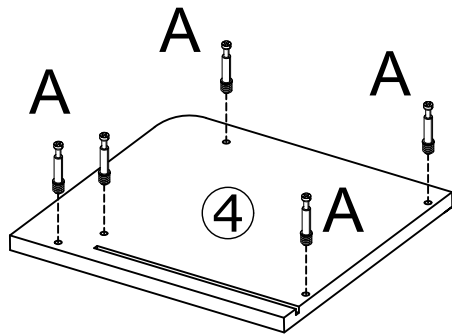
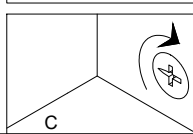
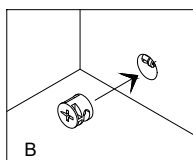
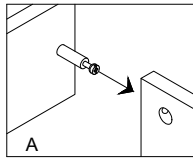
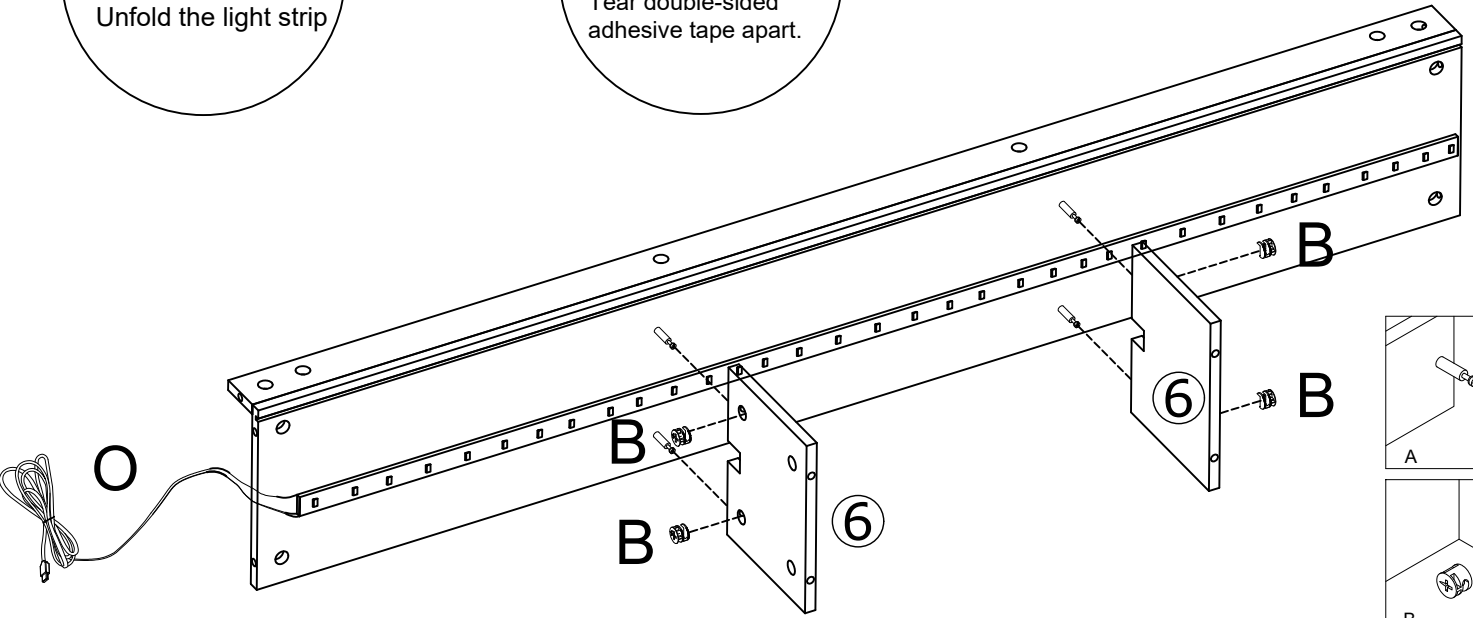
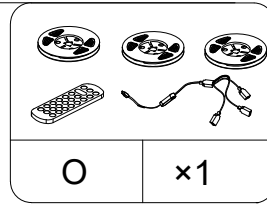
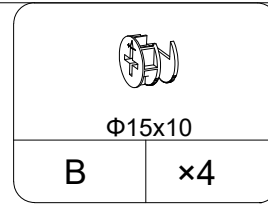
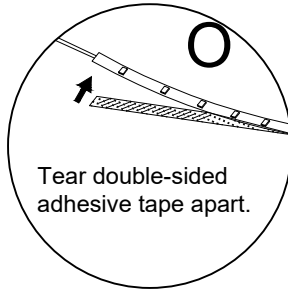
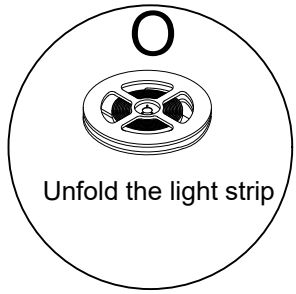
$\Phi 15 \times 10$

B


x4

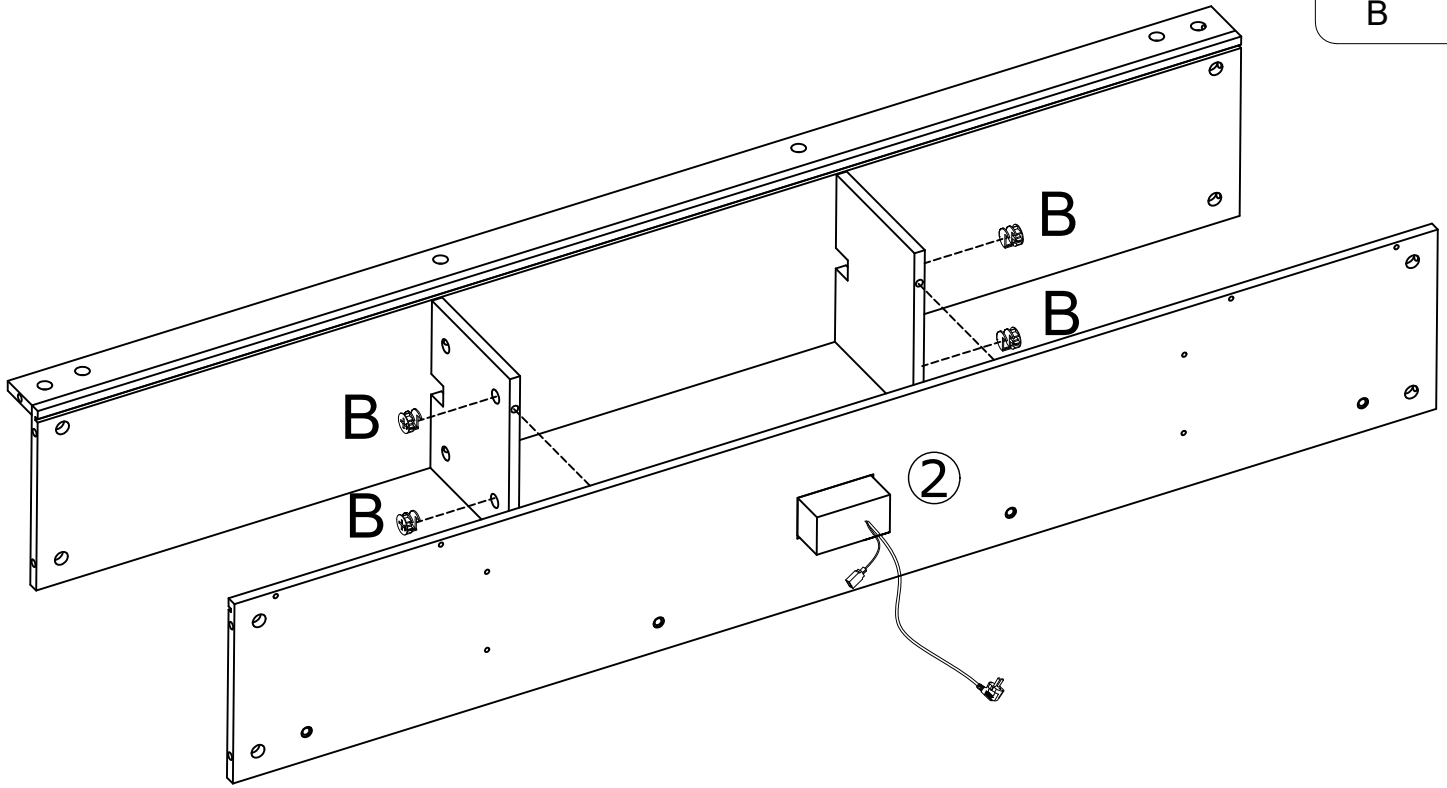



STEP2

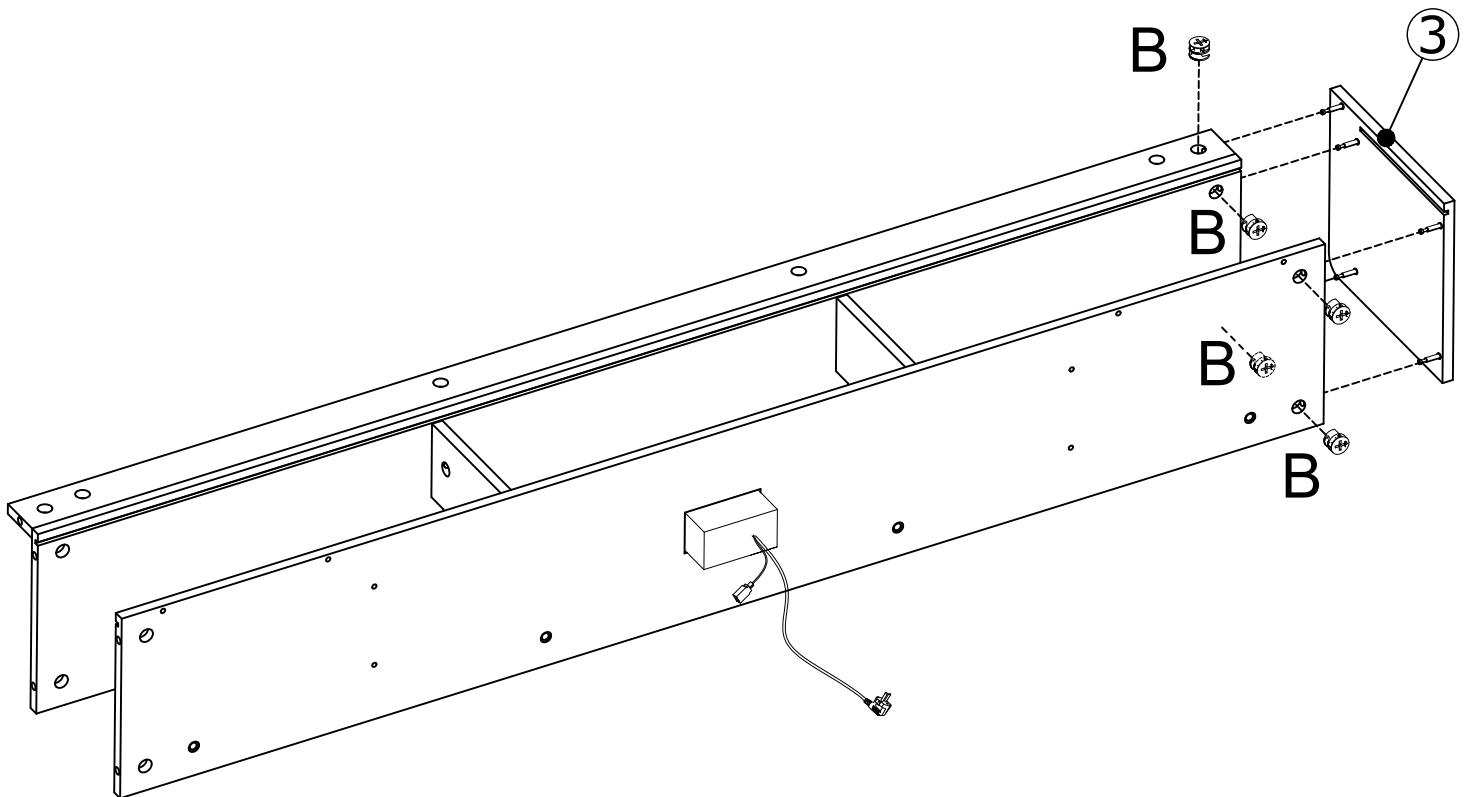


STEP 3

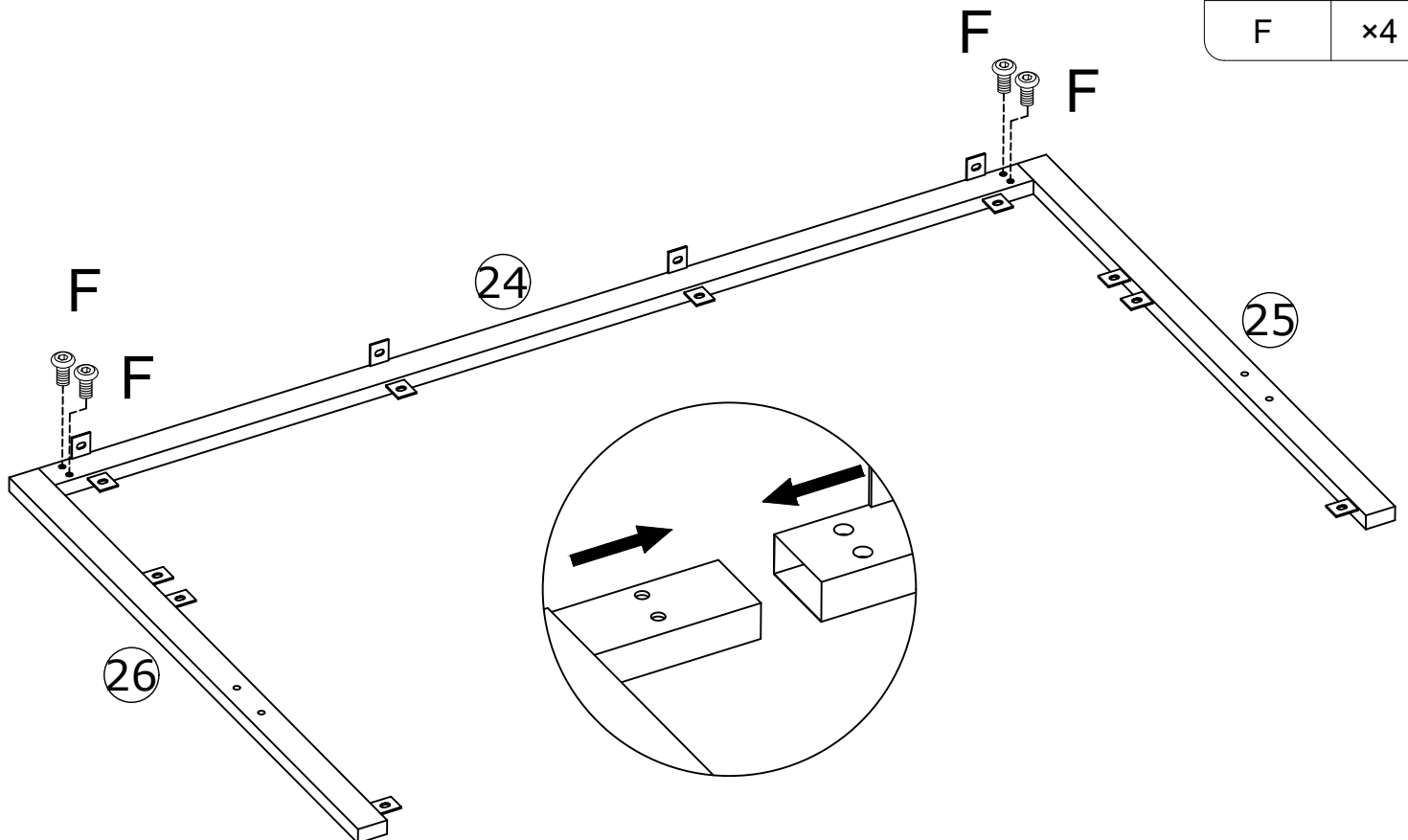
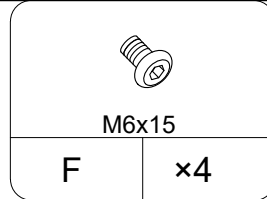
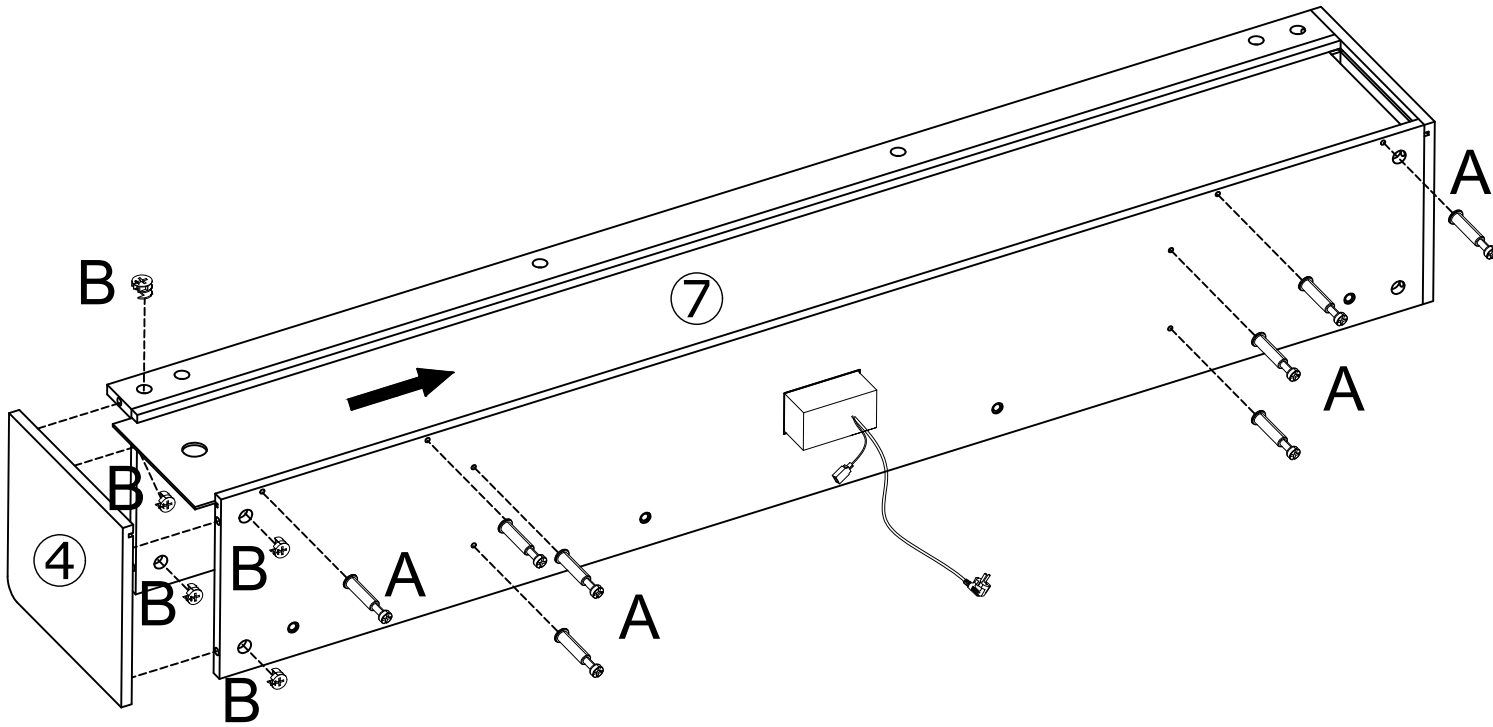
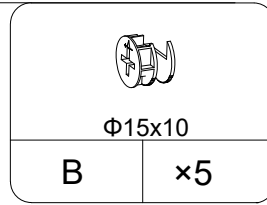
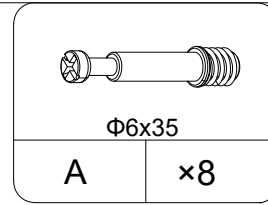
	
Φ15x10	
B	x4



	
Φ15x10	
B	x5



STEP 4



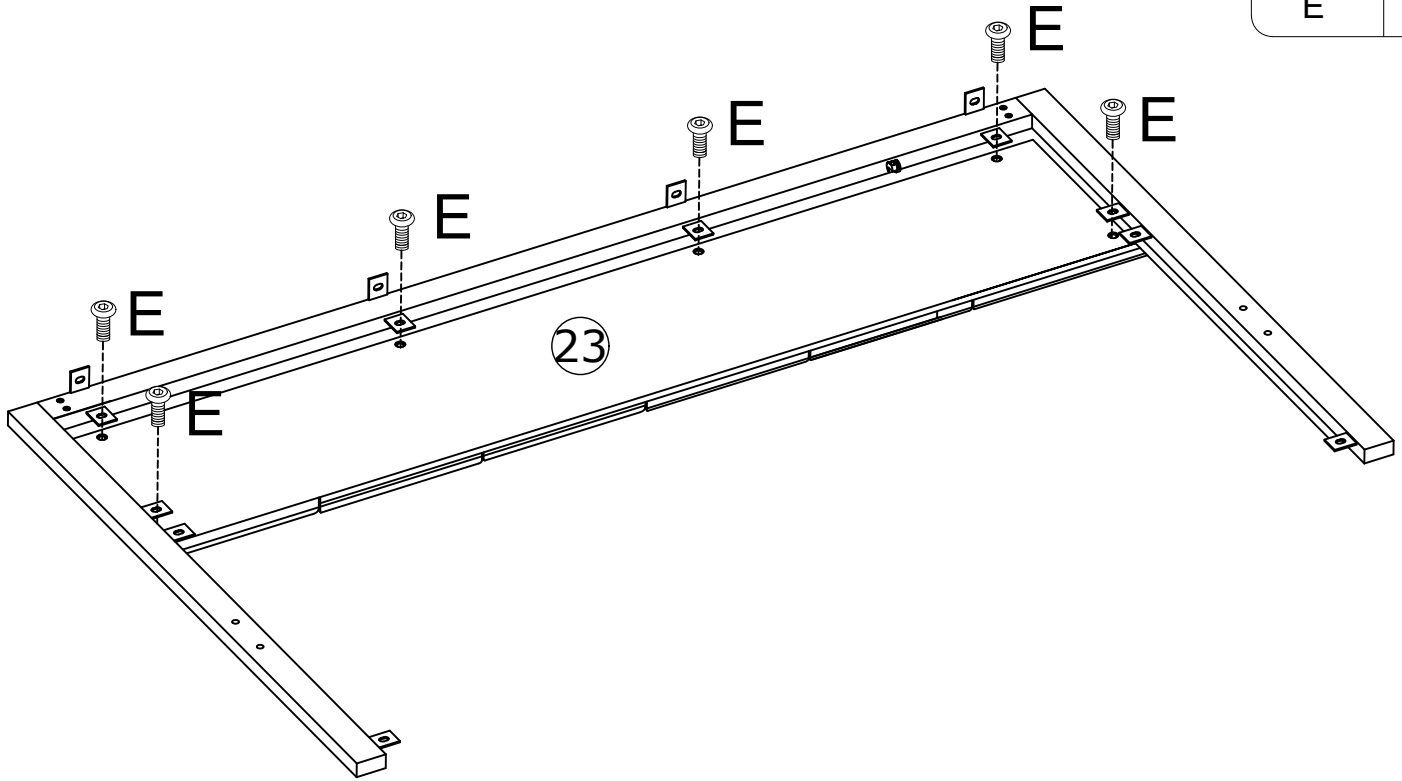
STEP 5



M6x10

E

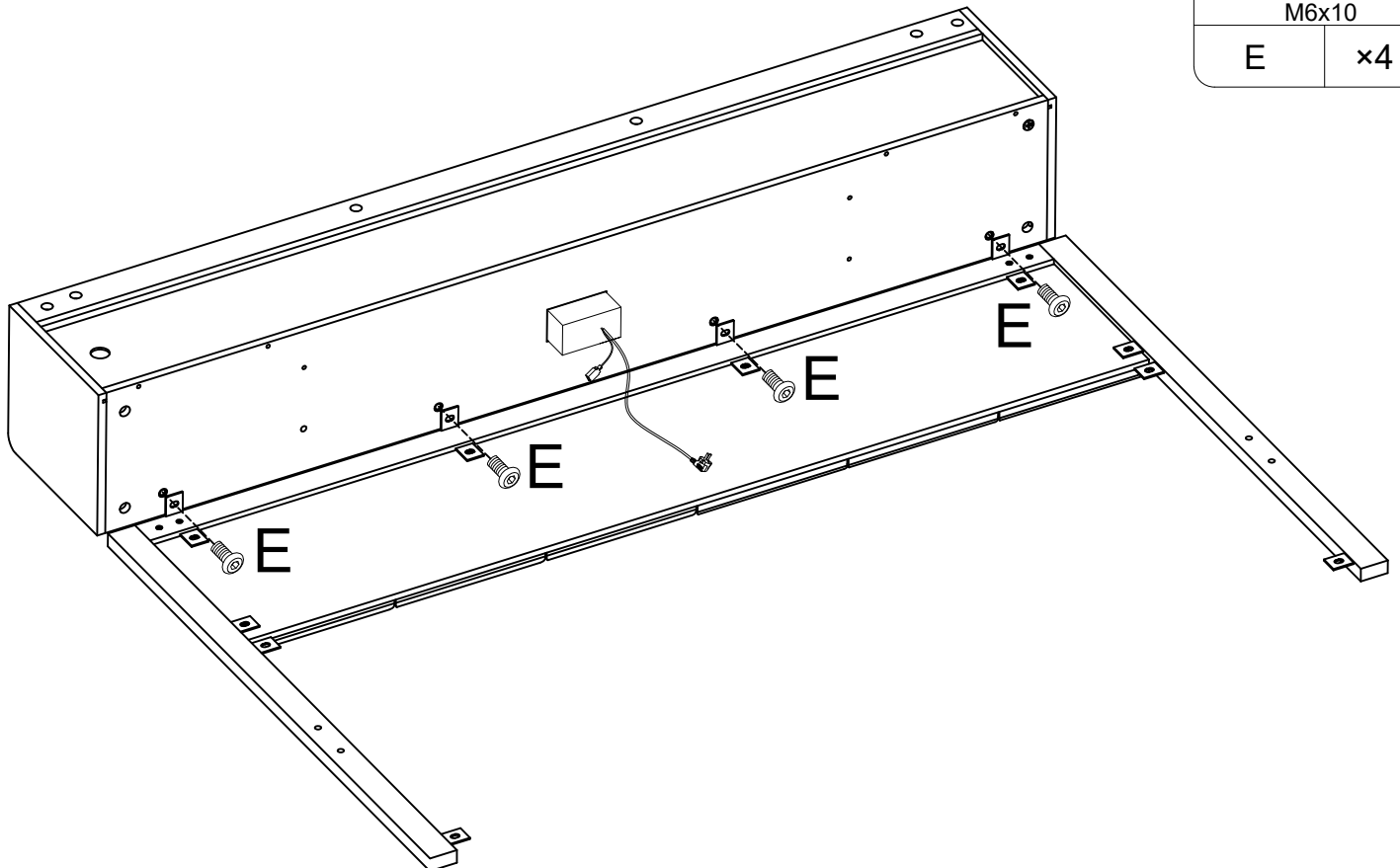
x6



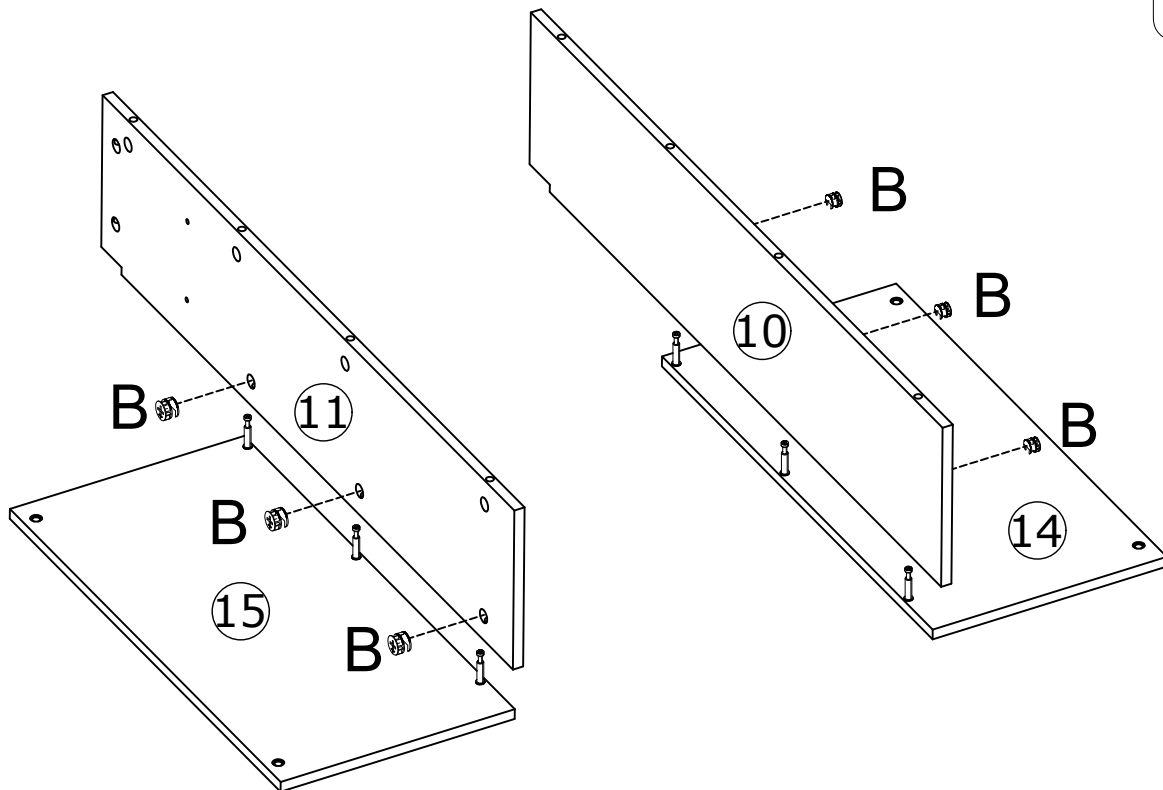
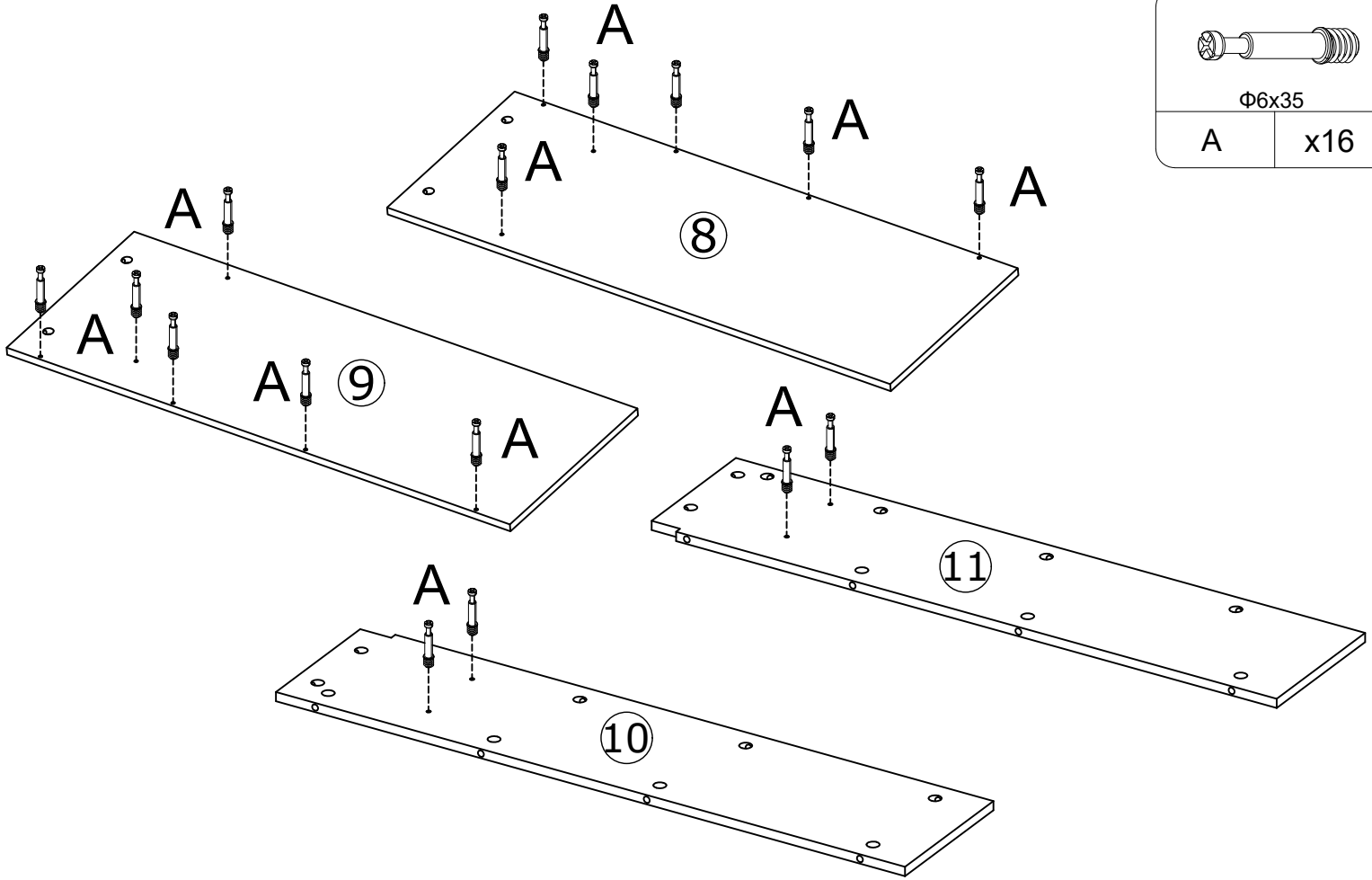
M6x10

E

x4



STEP 6



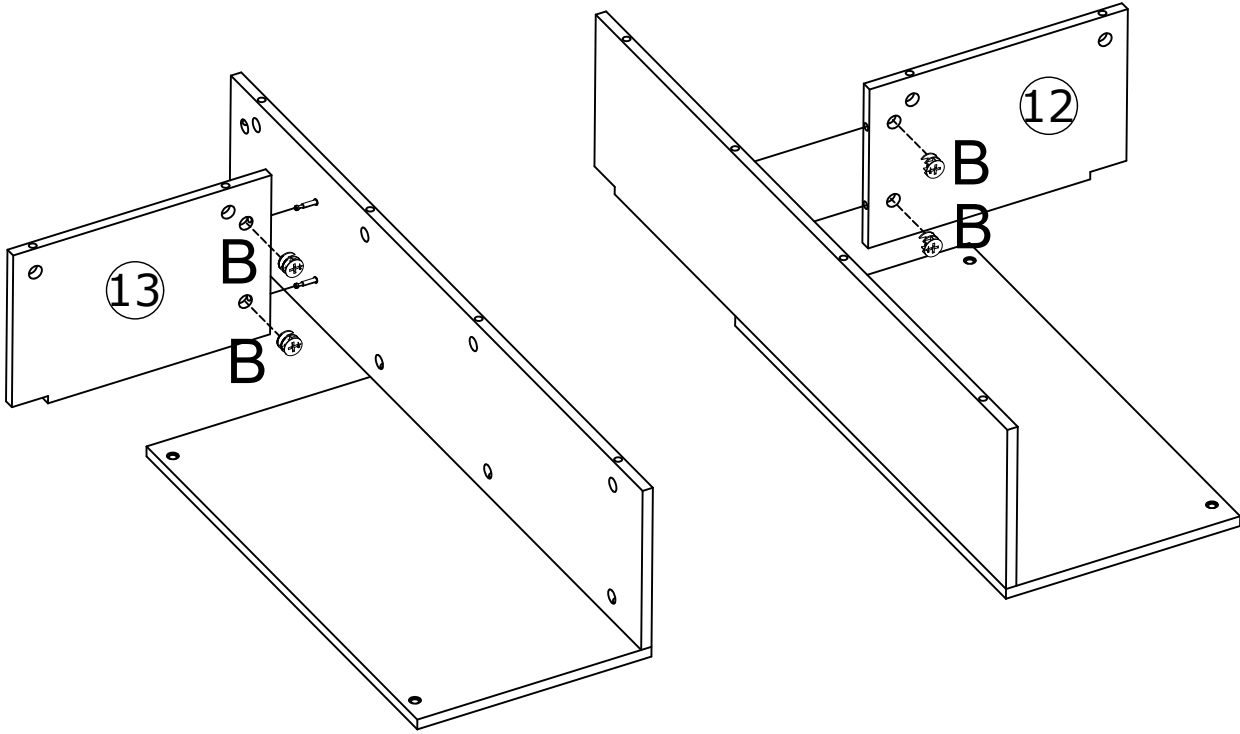
STEP 7



Φ15x10

B

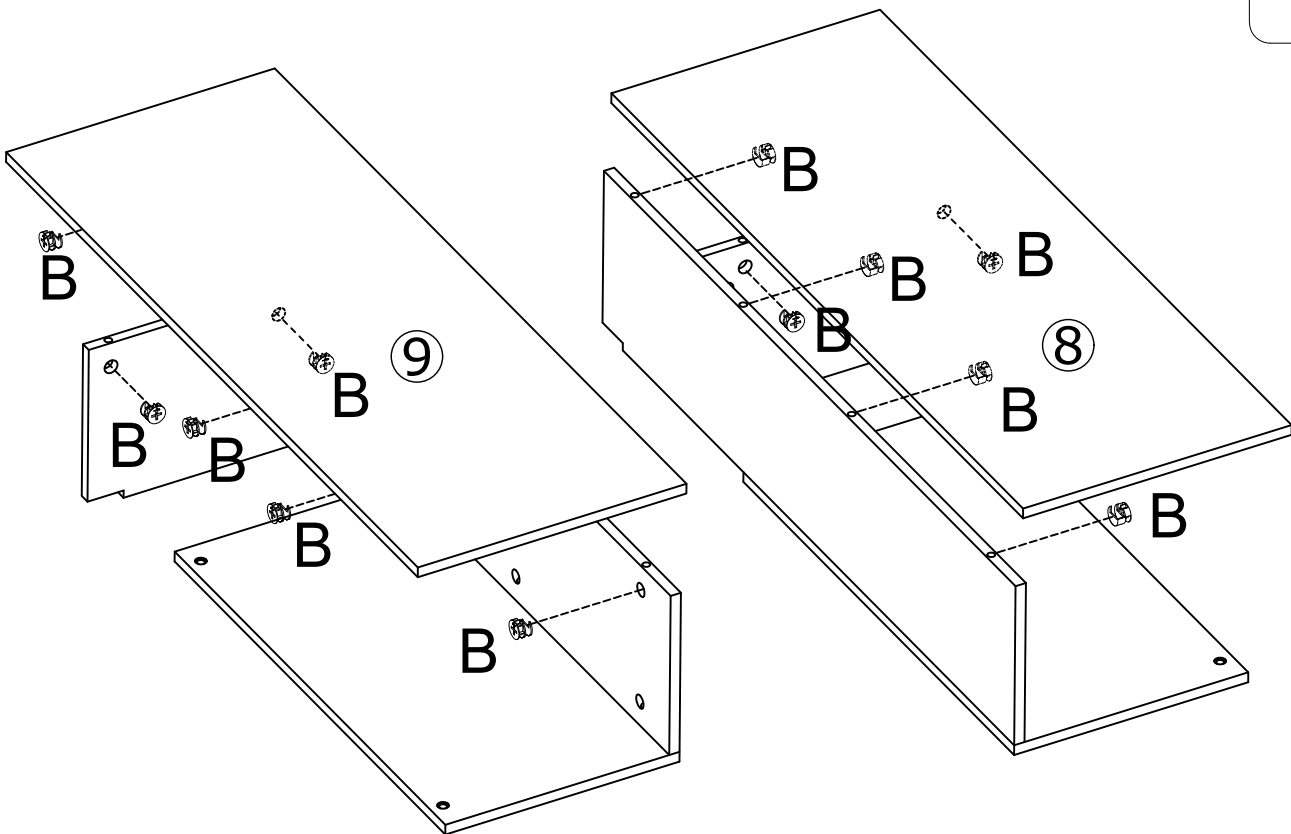
x4



Φ15x10

B

x12



STEP 8



Φ15x10

B

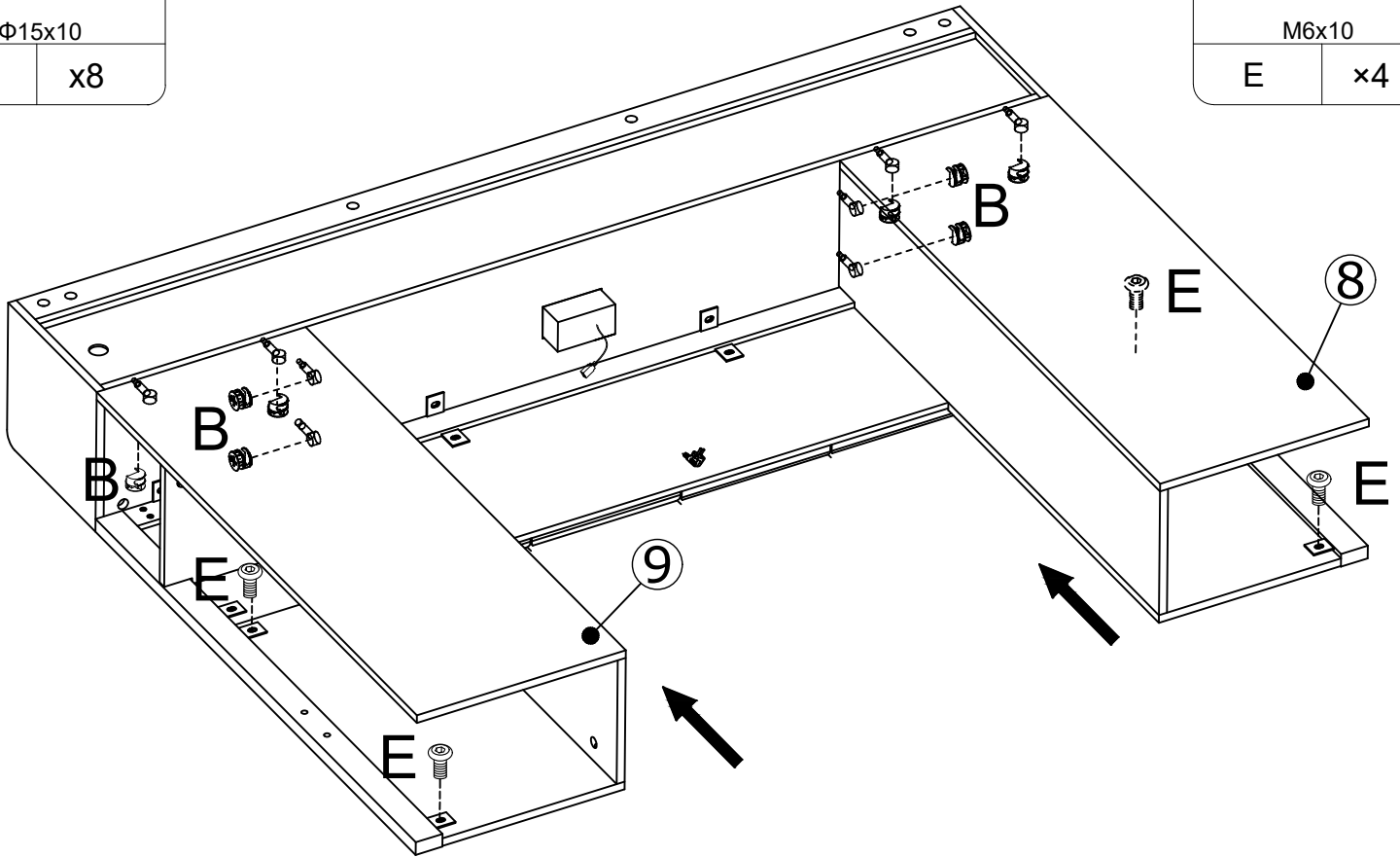
x8



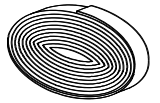
M6x10

E

x4

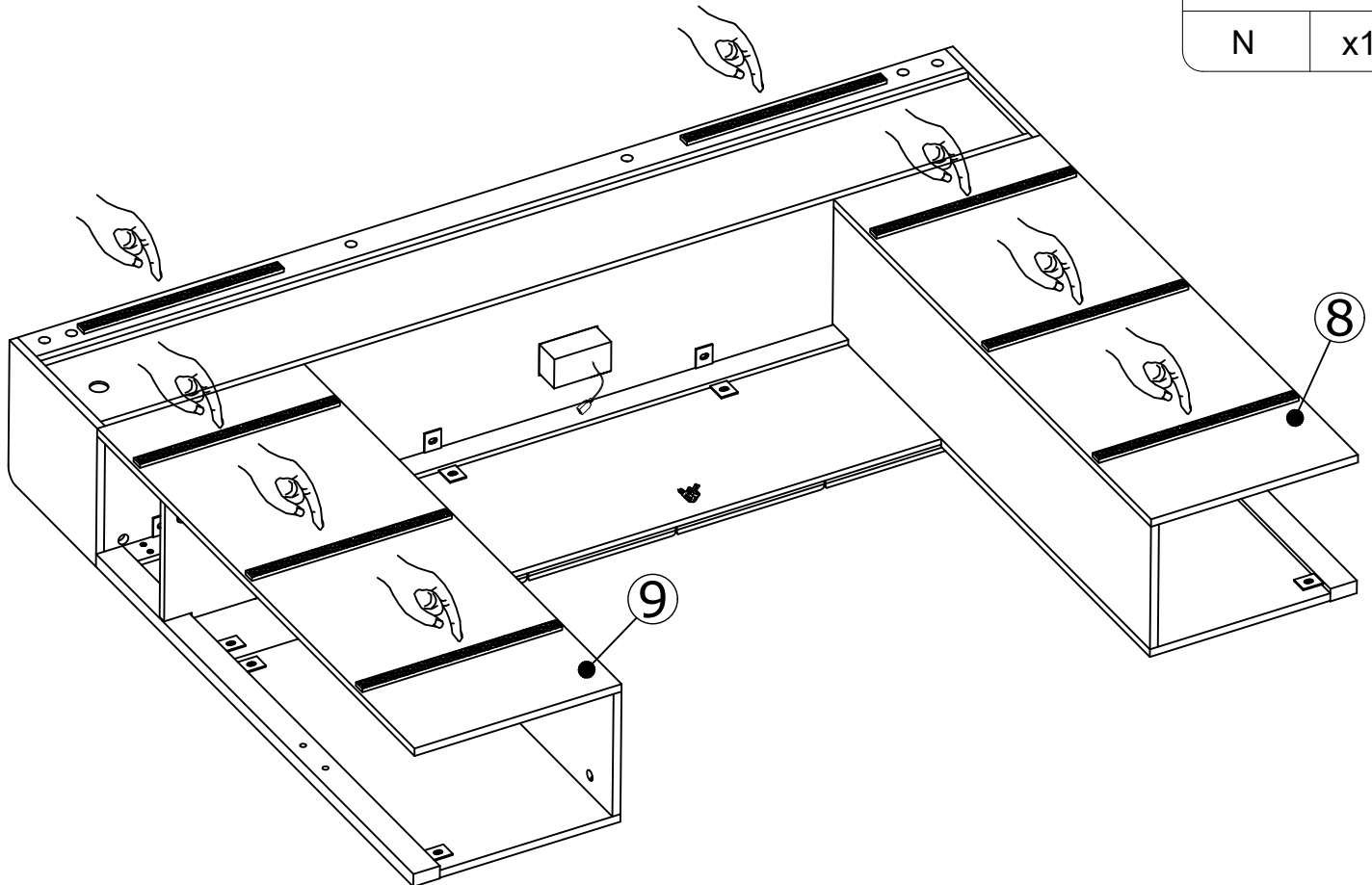


In order to prevent the friction between the wall and the board surface, the parts should be unfolded and attached to the board surface, and the length of part N can be cut as needed.

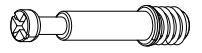


N

x1

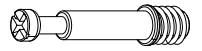
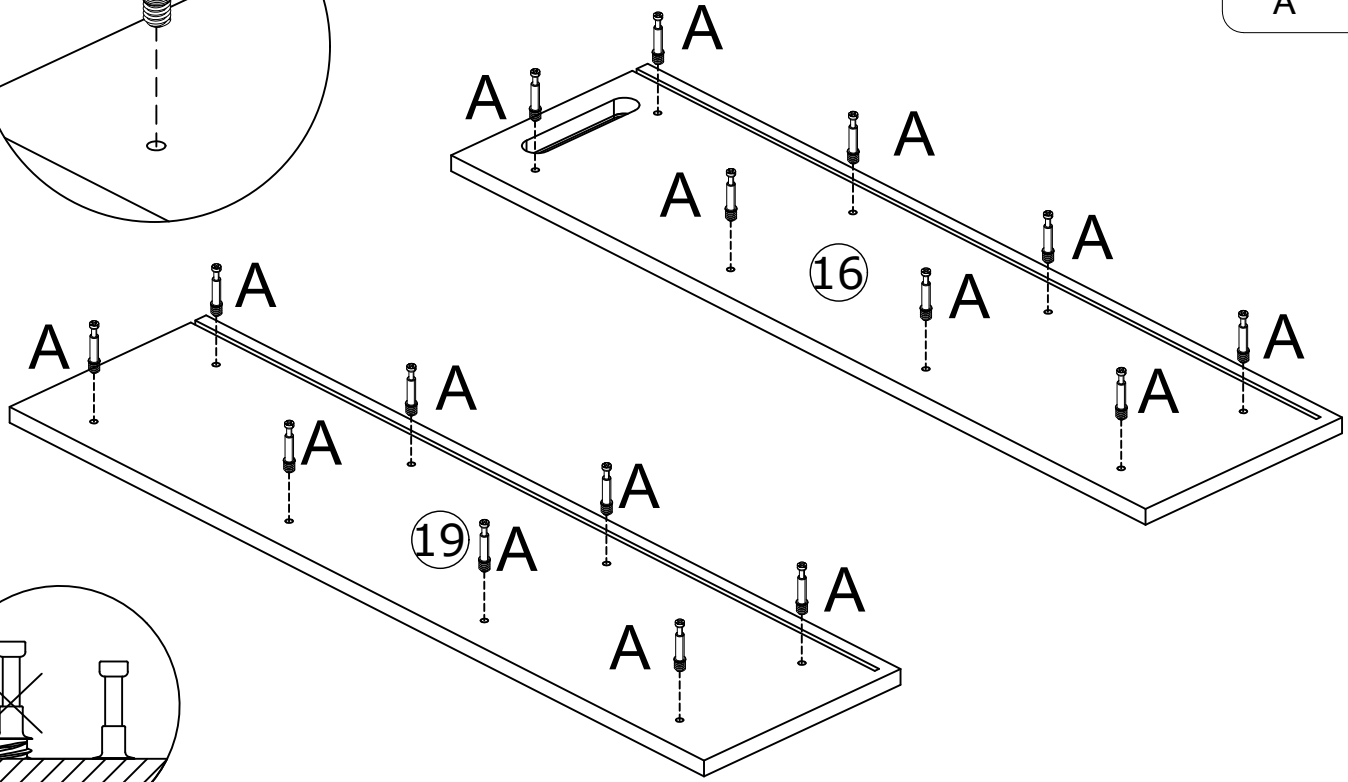
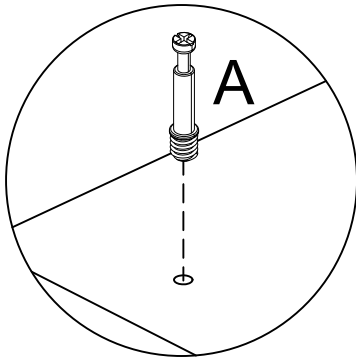


STEP 9



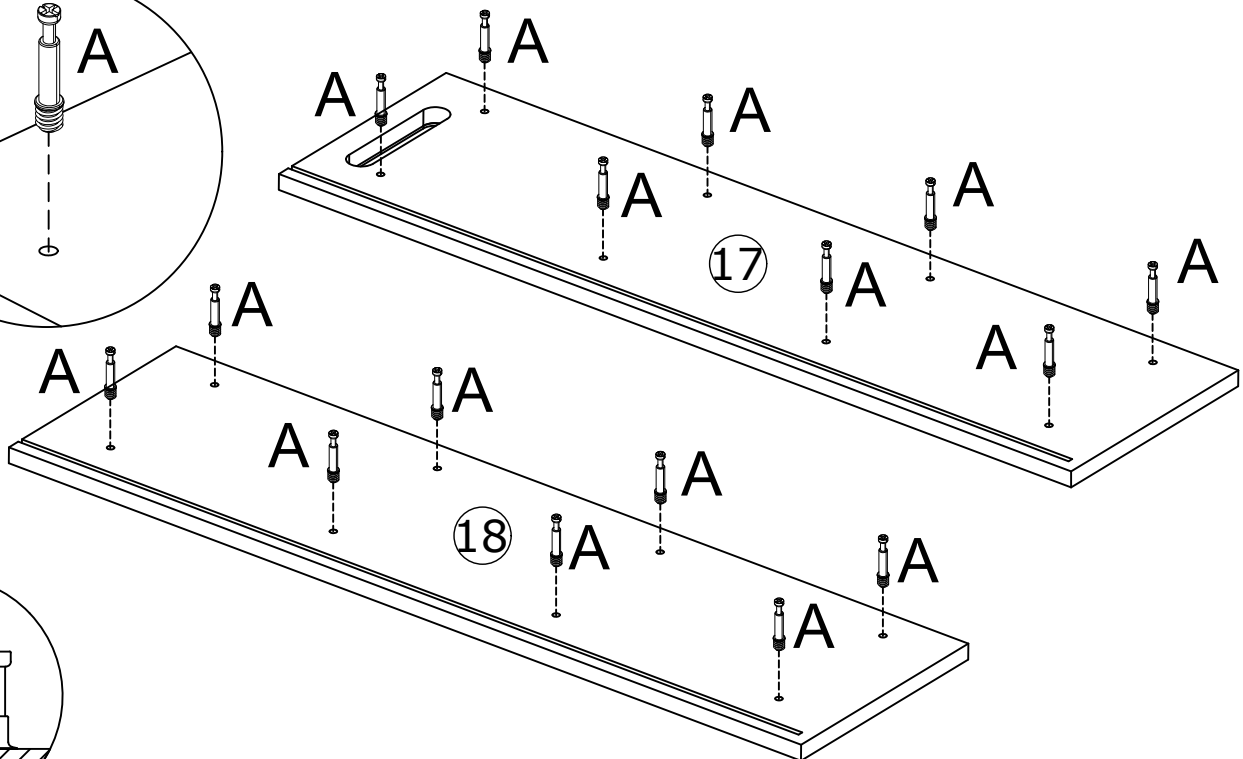
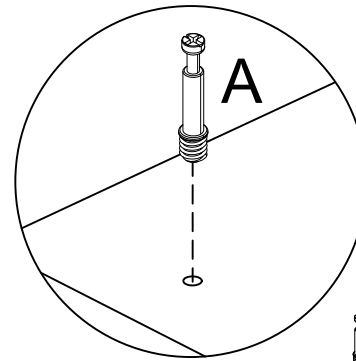
Φ6x35

A x16



Φ6x35

A x16



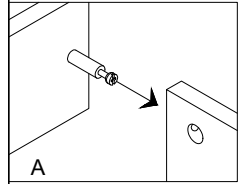
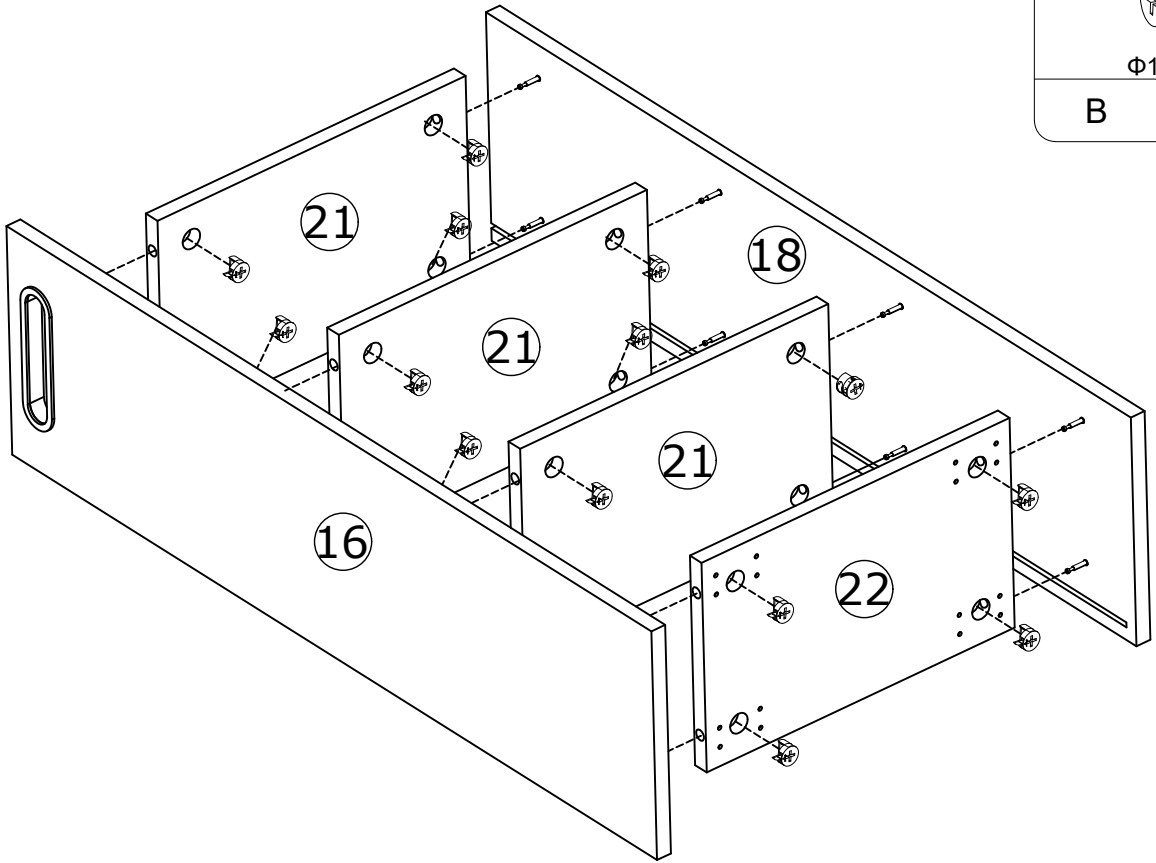
STEP10



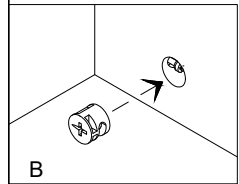
Φ15x10

B

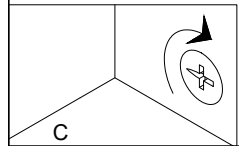
x16



A



B



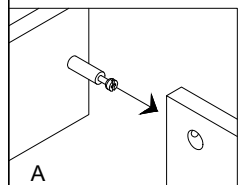
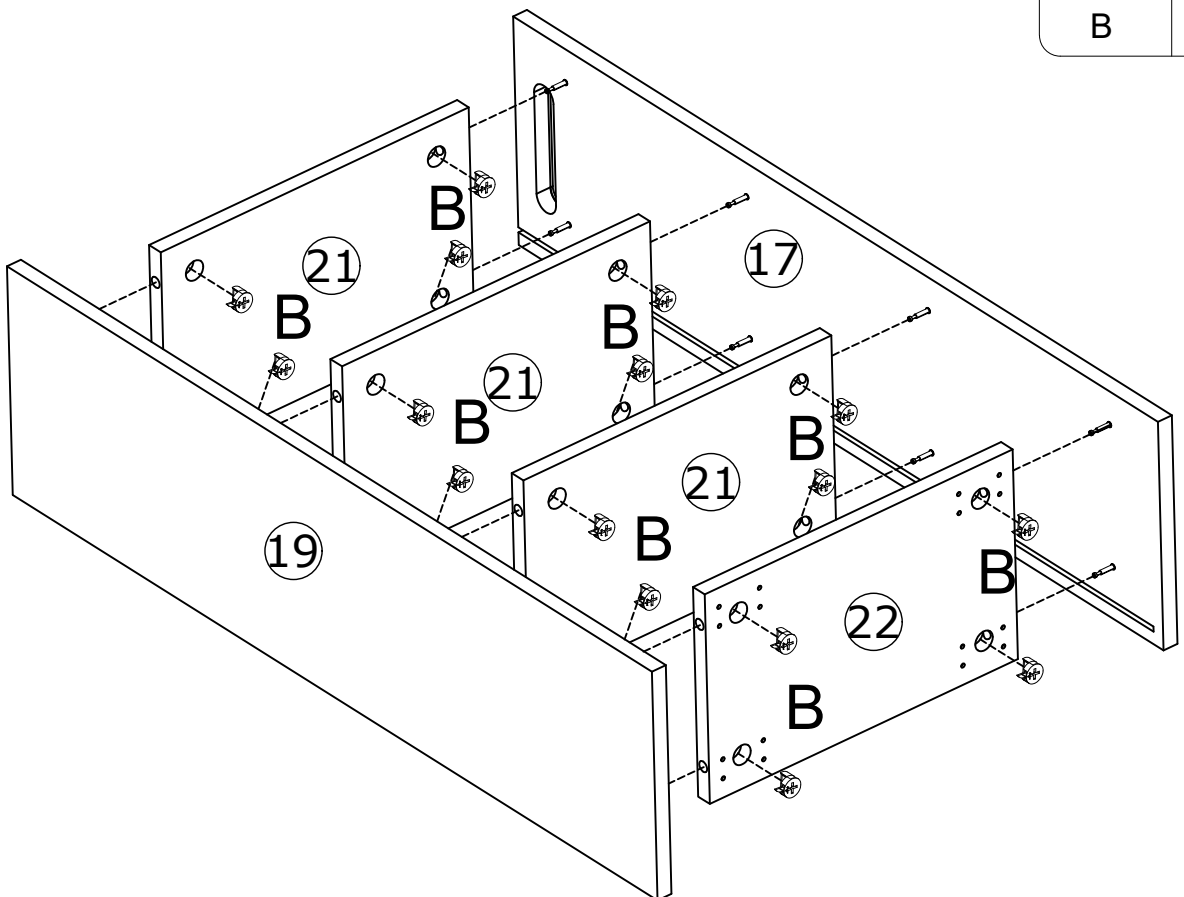
C



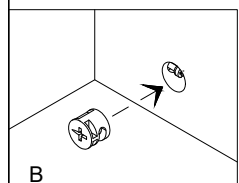
Φ15x10

B

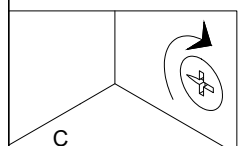
x16



A

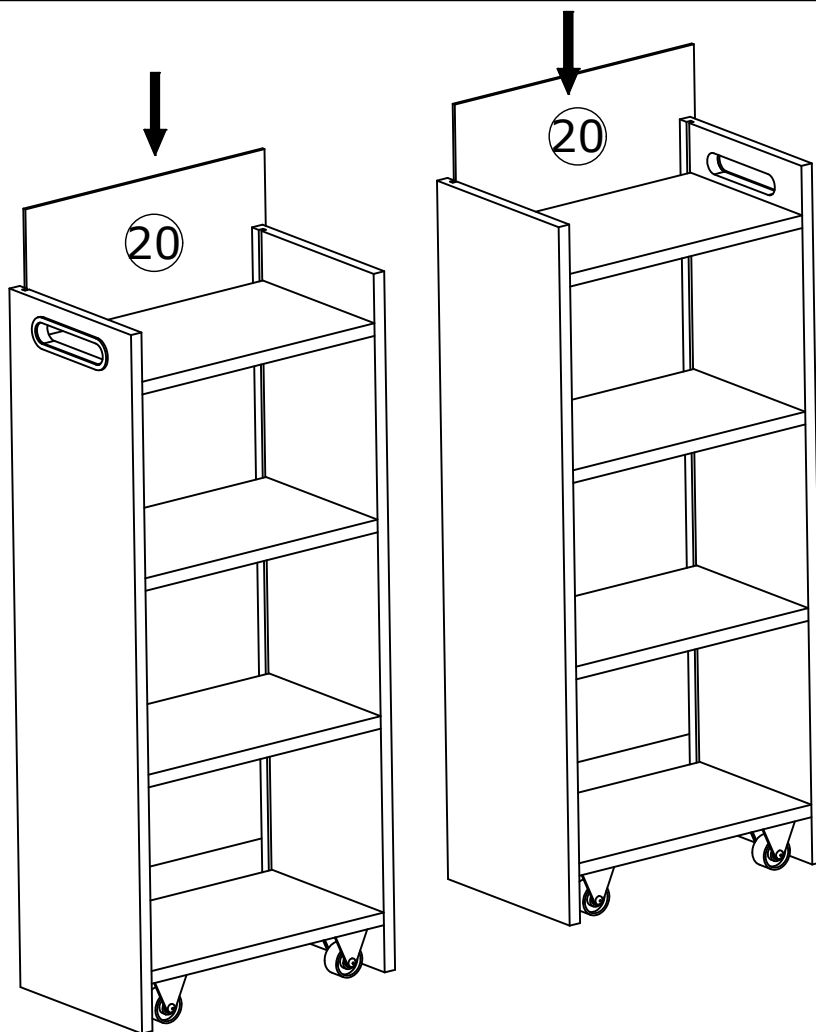
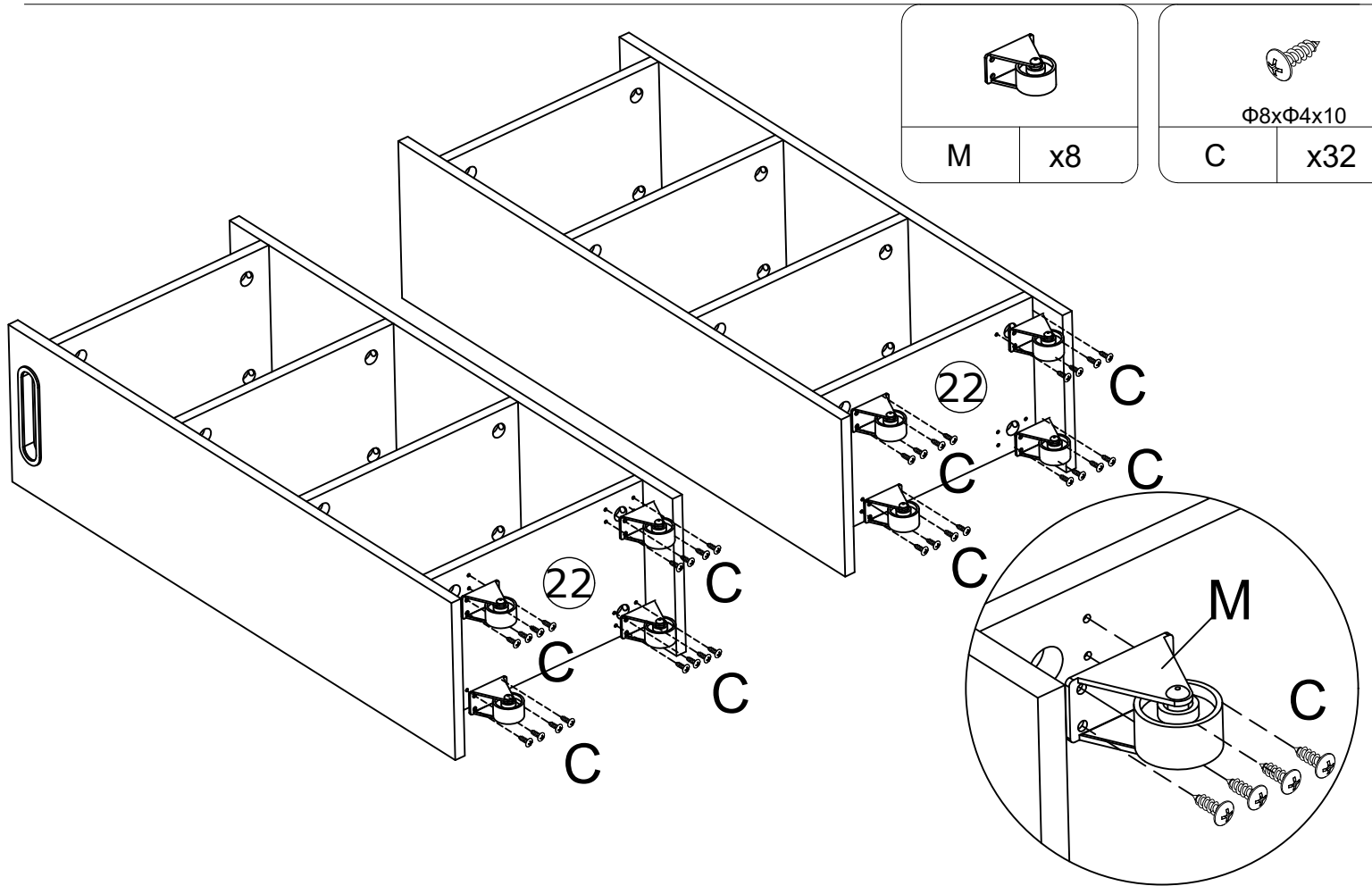


B





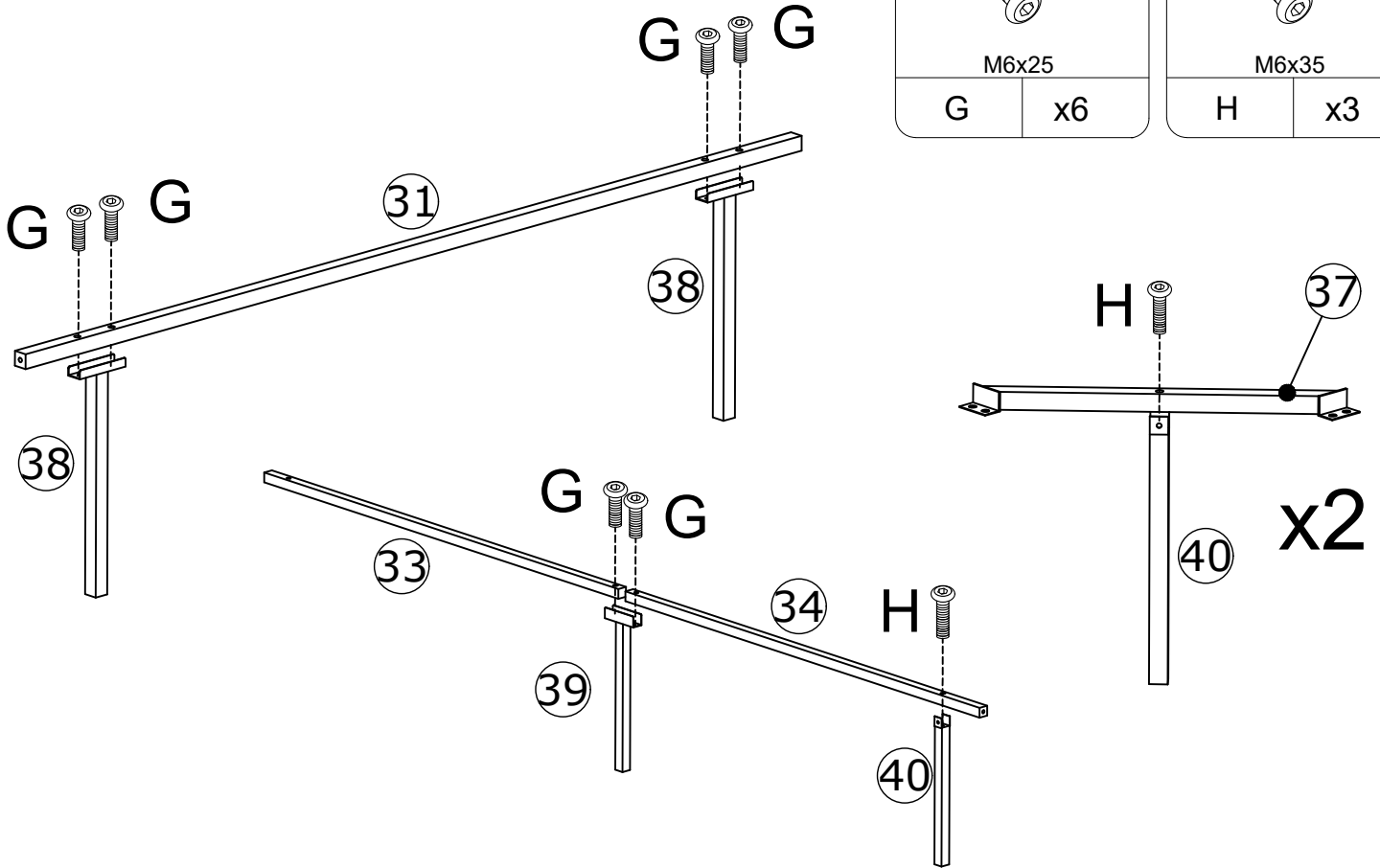
C



STEP 11

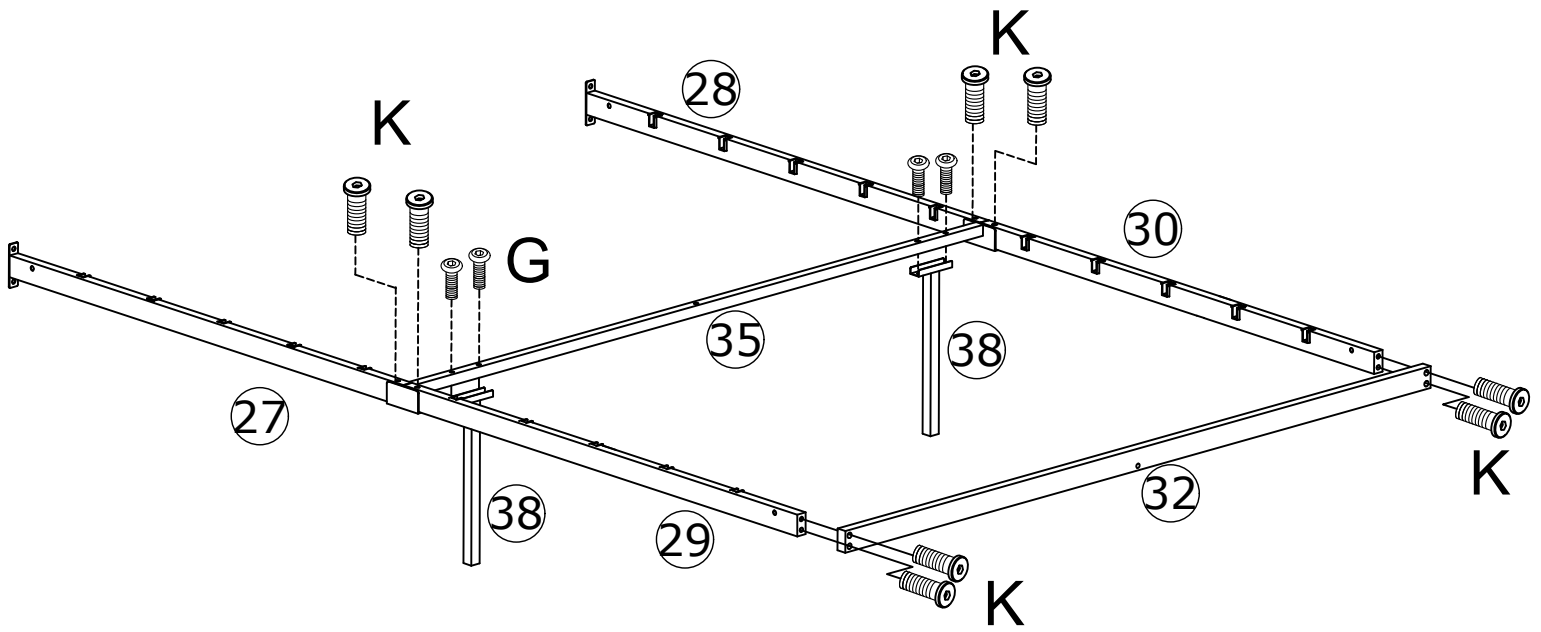


STEP 12


			
M6x25		M6x35	
G	x6	H	x3





			
M6x25		M8x45	
G	x4	K	x8

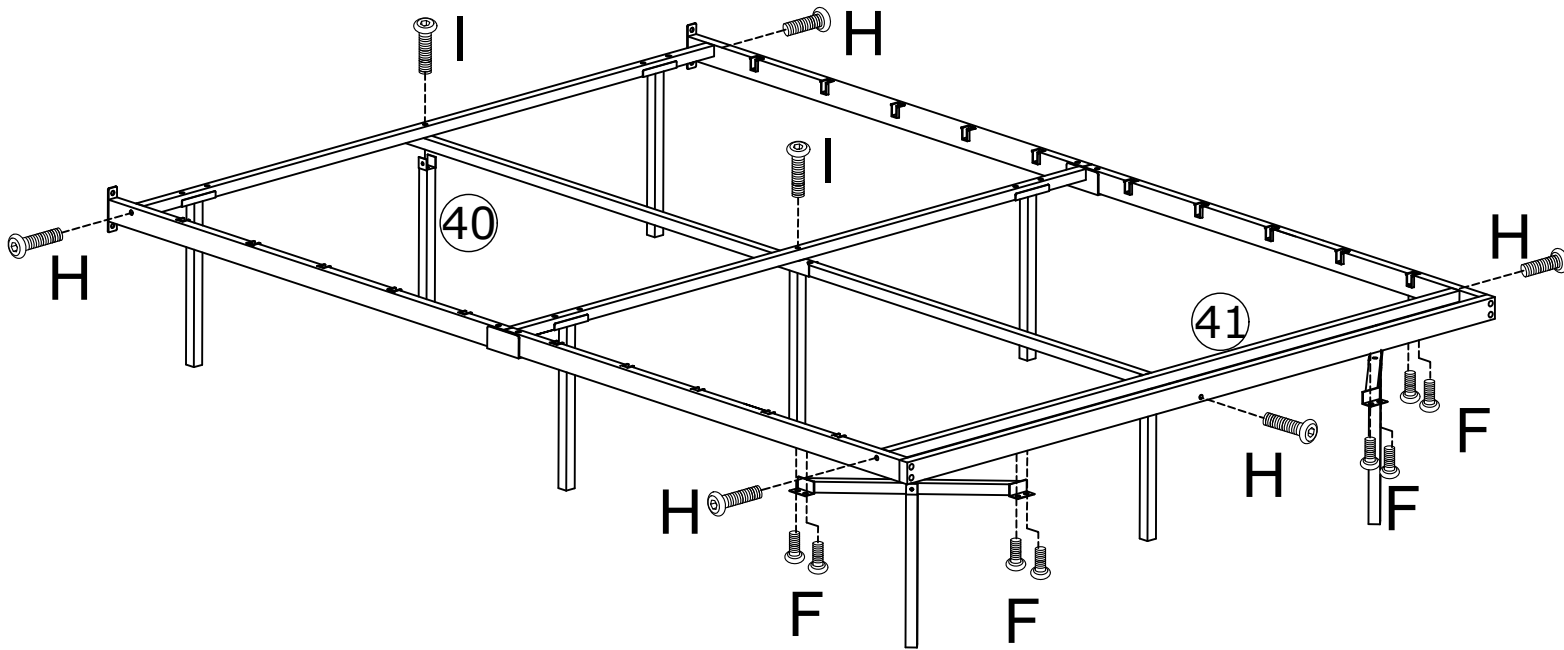


STEP 13

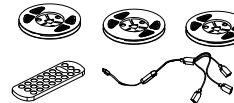
	
M6x15	
F	x8

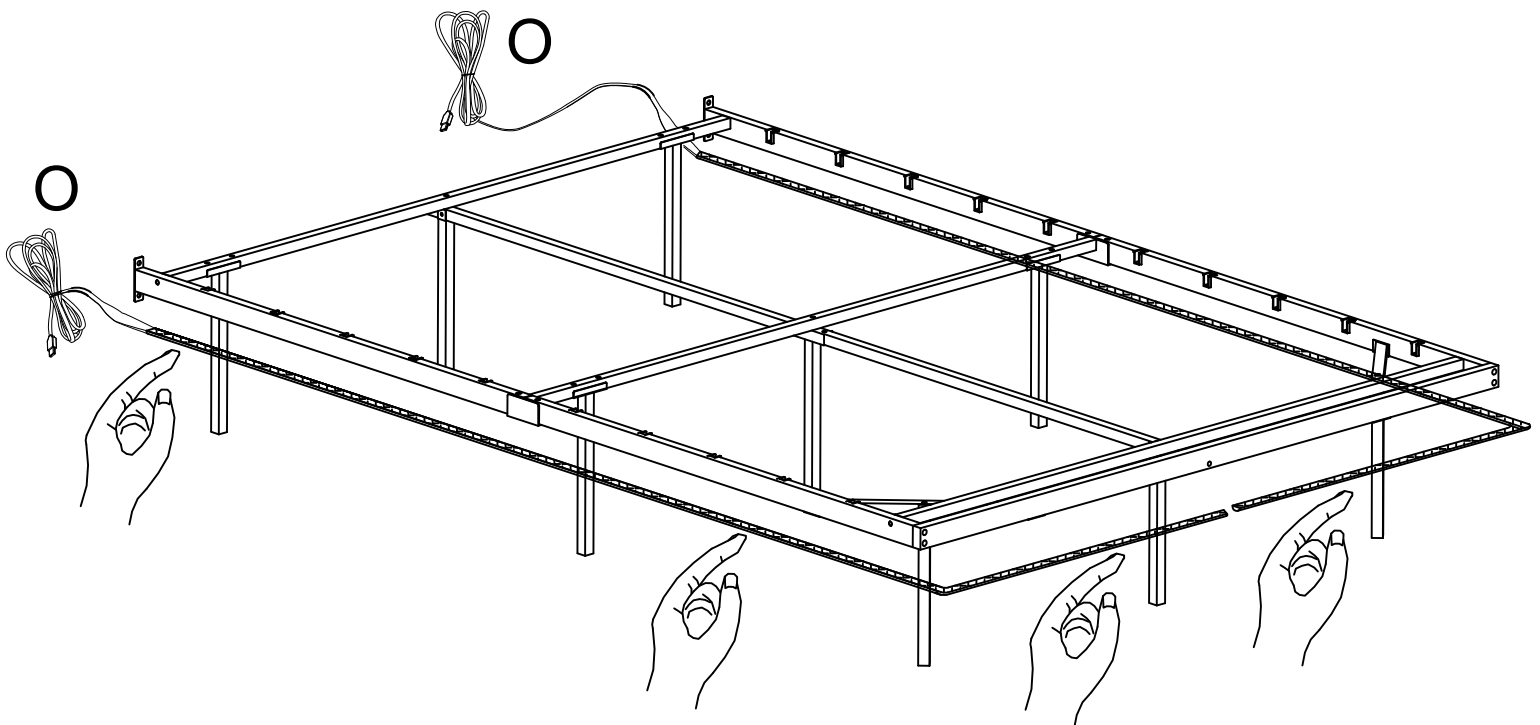
	
M6x35	
H	x5

	
M6x50	
I	x2

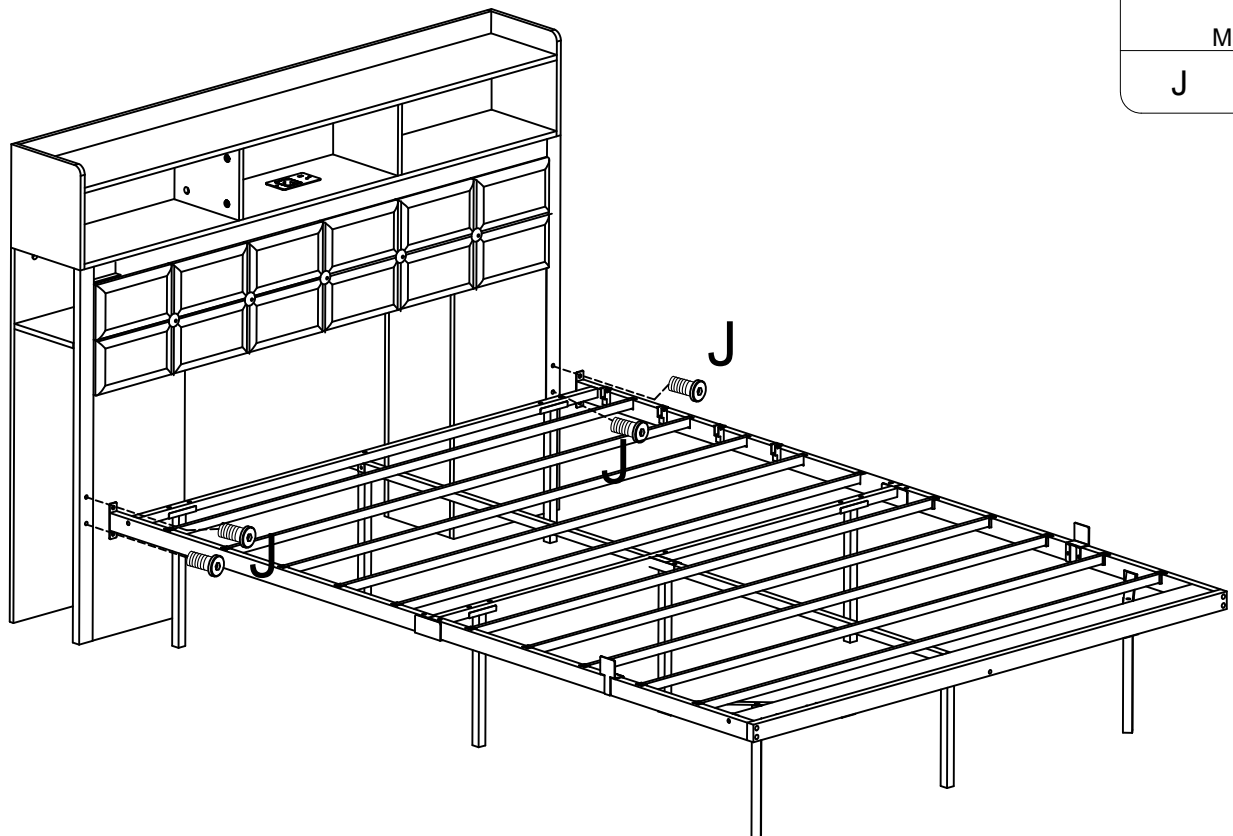
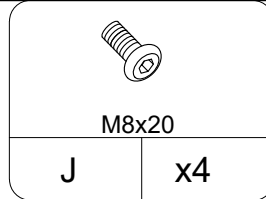
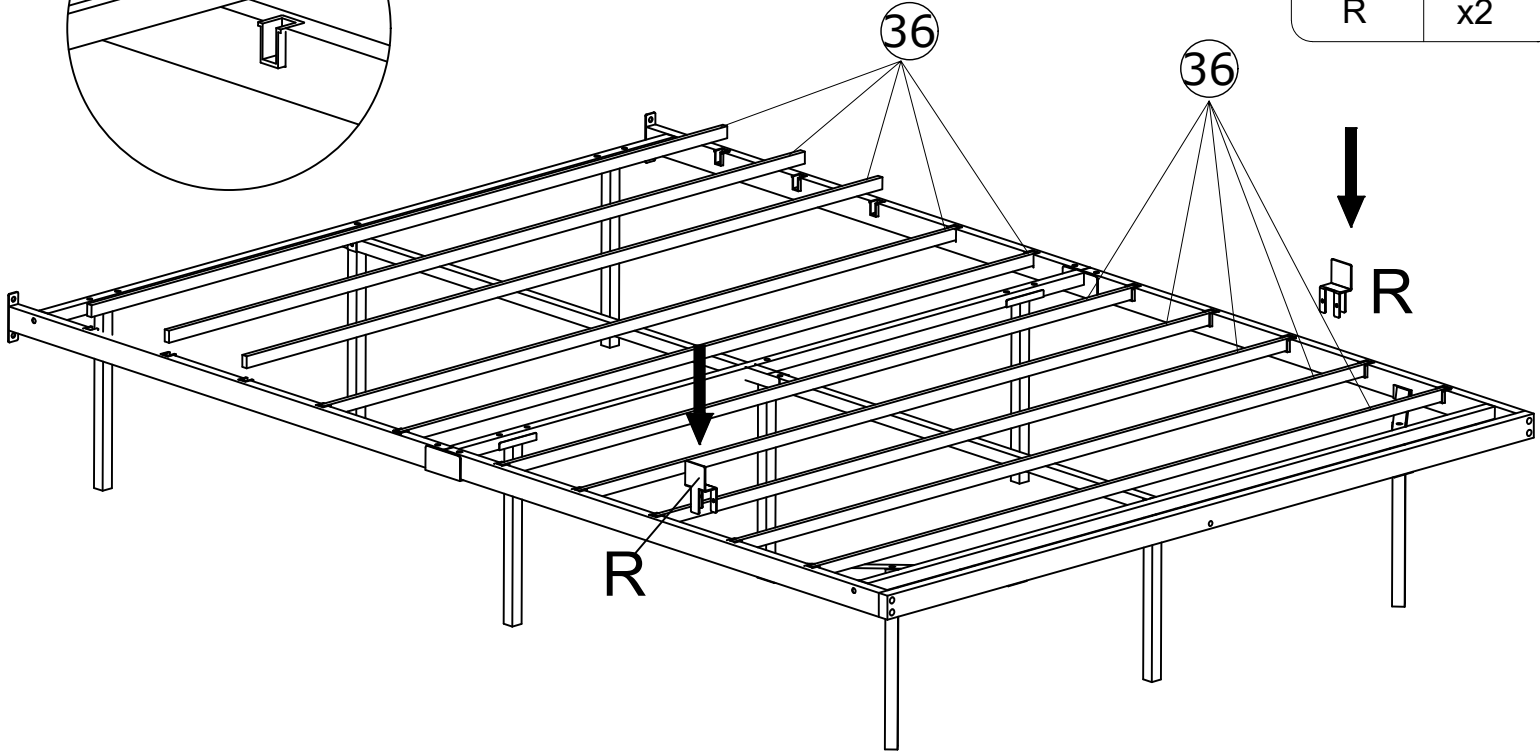
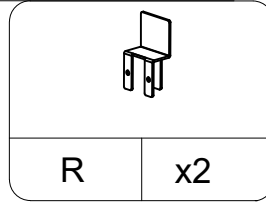
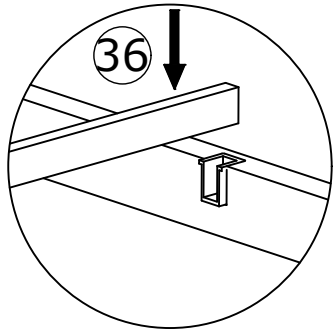


Apply the LED light strip to the bottom of the bed edge.

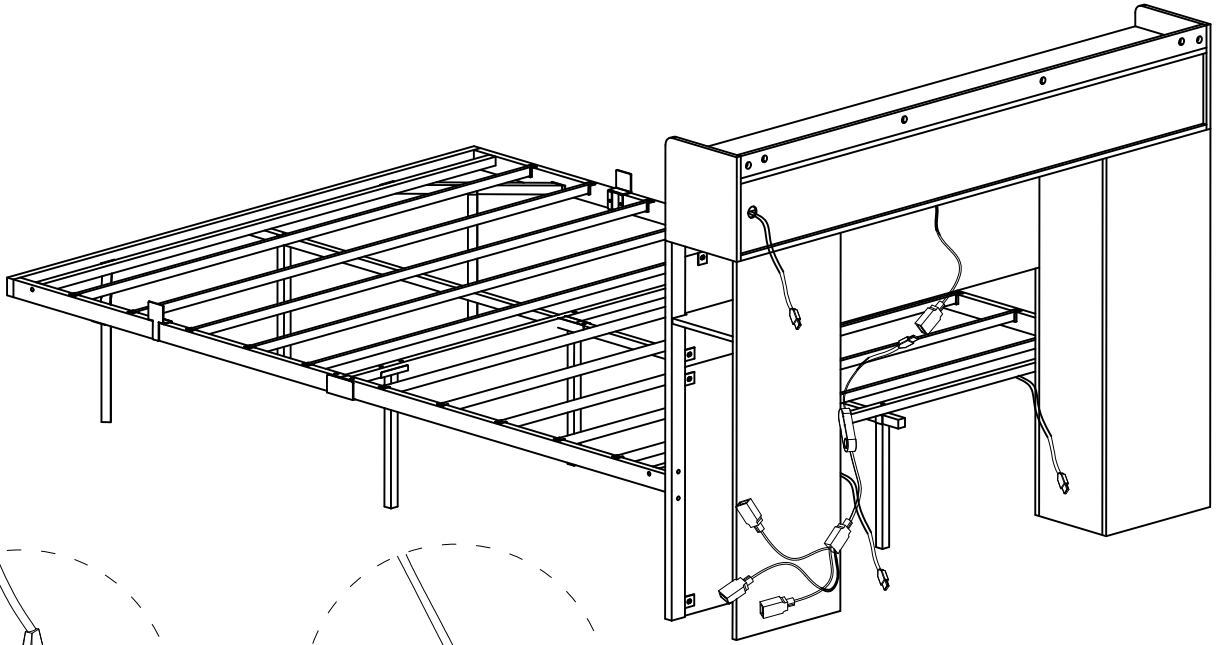
	
O	x1



STEP14



STEP 15



Connect three LED strips together.

