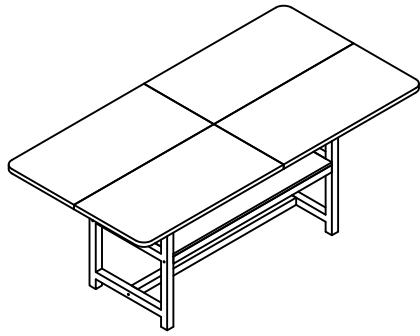






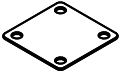

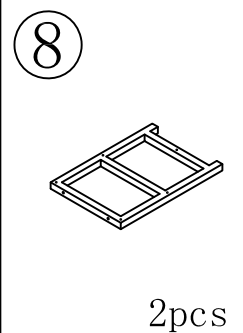
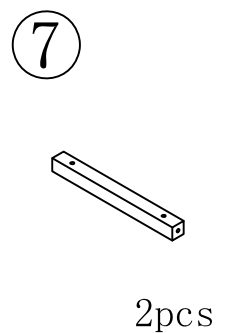
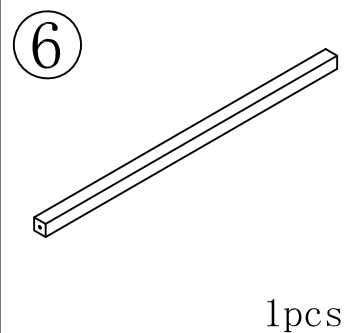
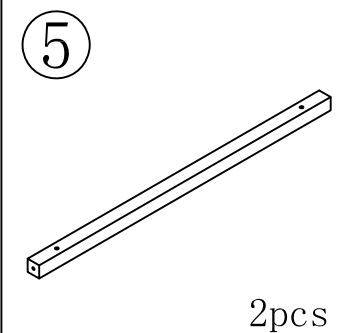
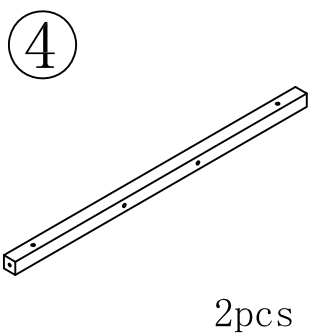
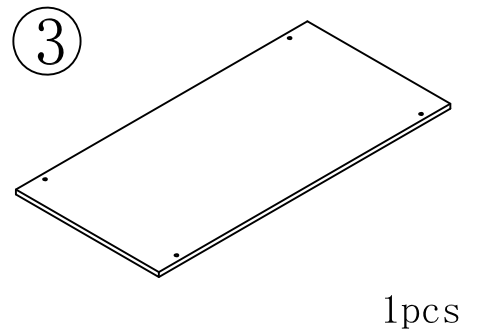
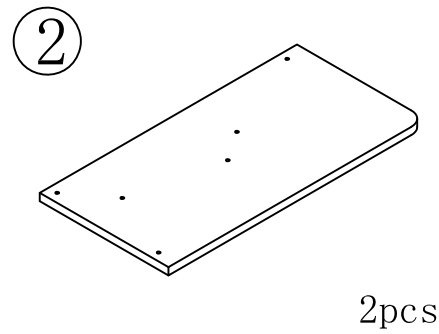
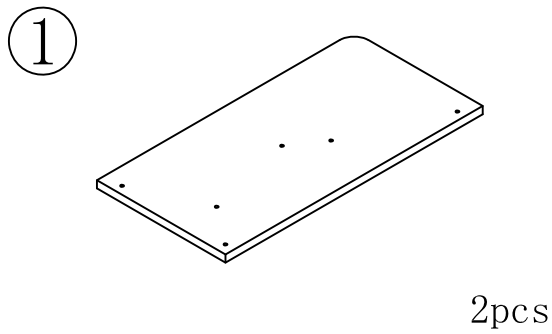


# ASSEMBLY INSTRUCTION

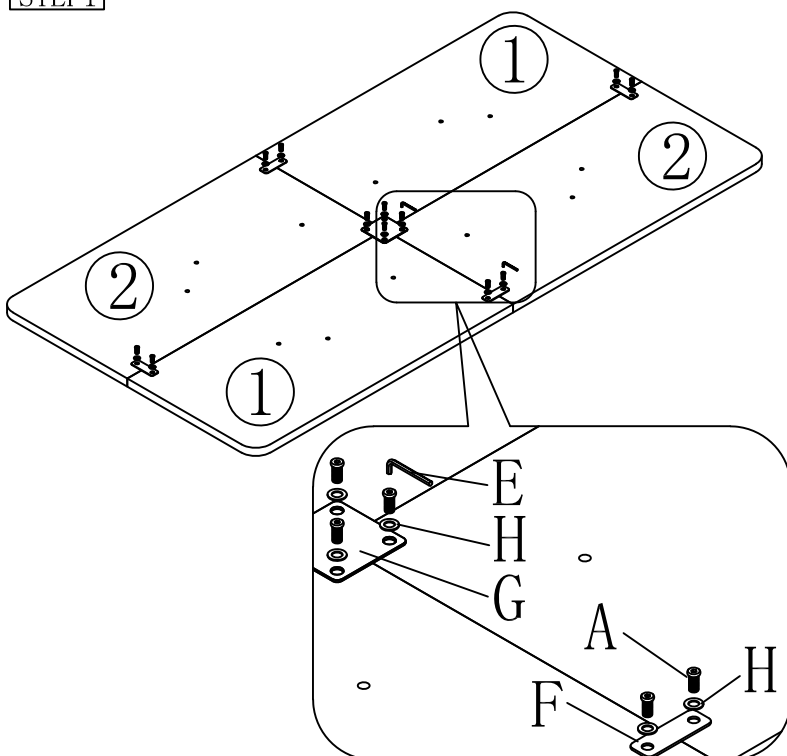


1.6 F-1025

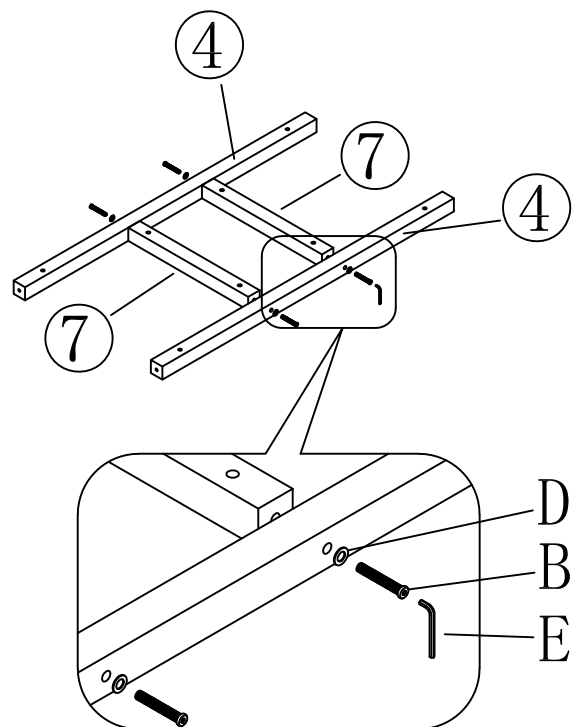
A  8*16 12pcs	B  8*55 26pcs	C  6*50 4pcs
D  8*22 30pcs	E  M5 1pcs	F  4pcs
G  83*83 1pcs	H  8*18 12pcs	



STEP1

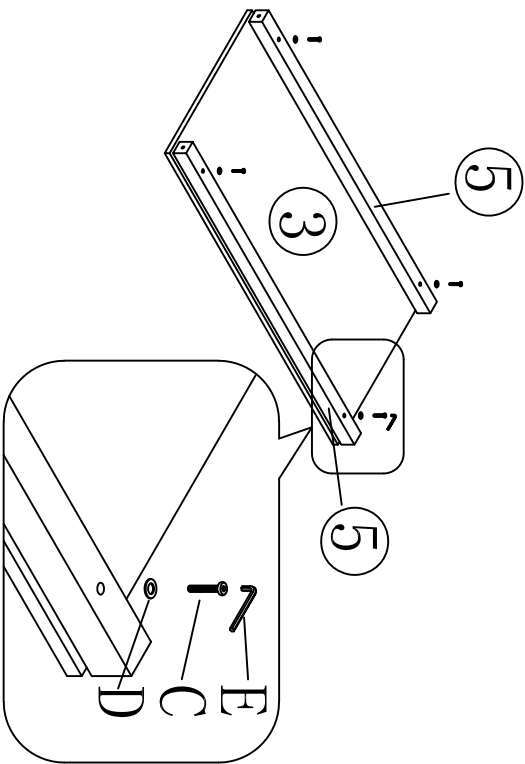


STEP2

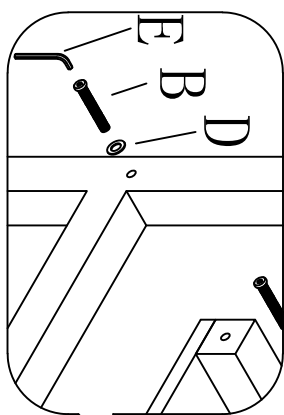


# ASSEMBLY INSTRUCTION

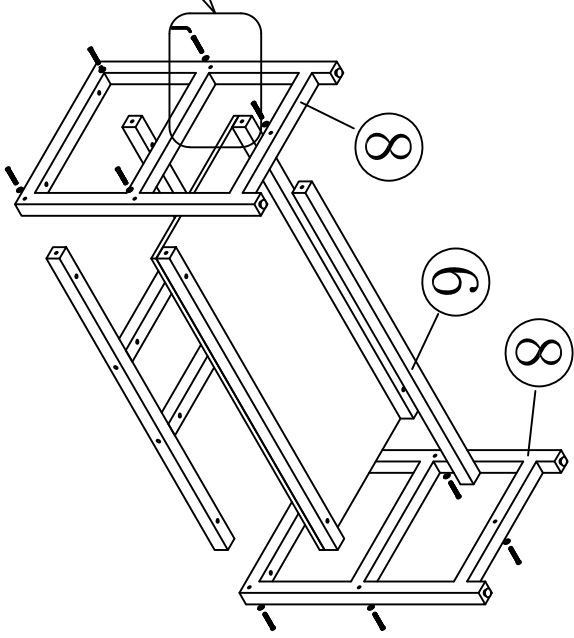
STEP3



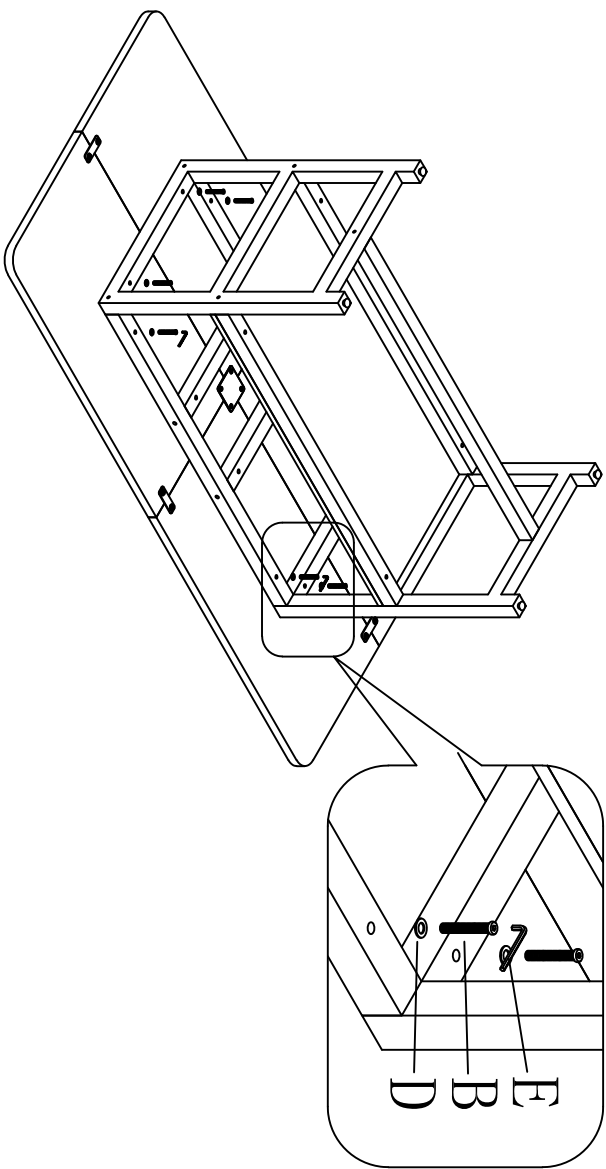
STEP4



8



STEP5



STEP6

