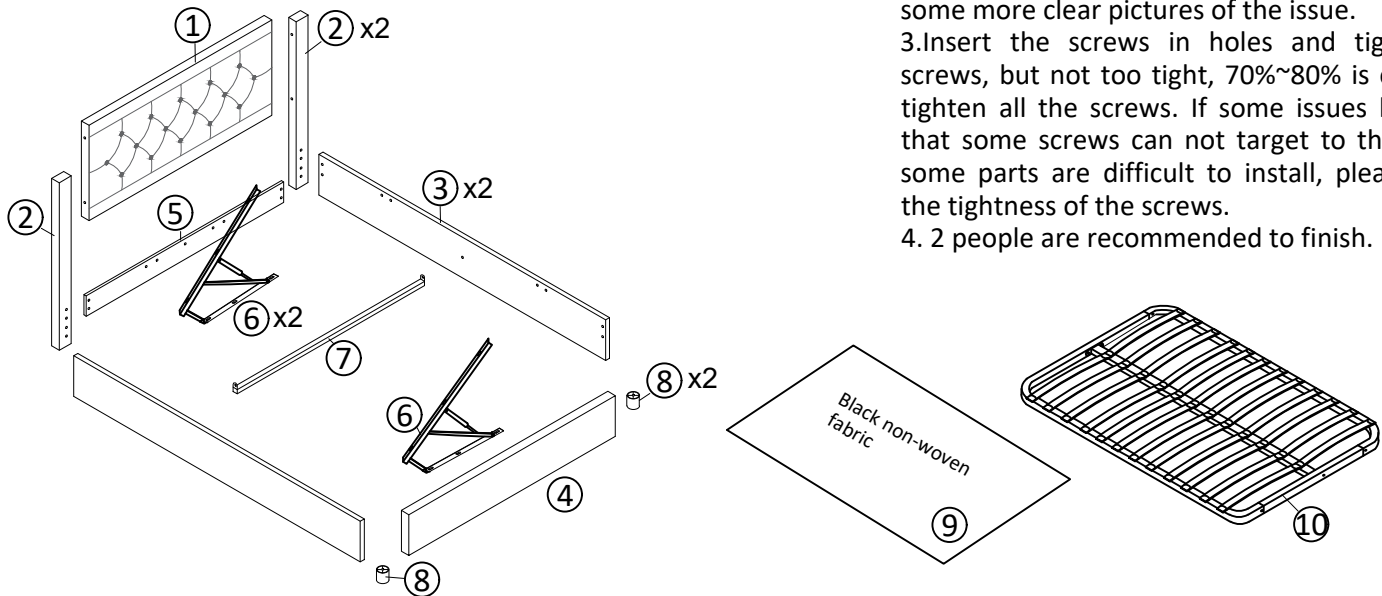
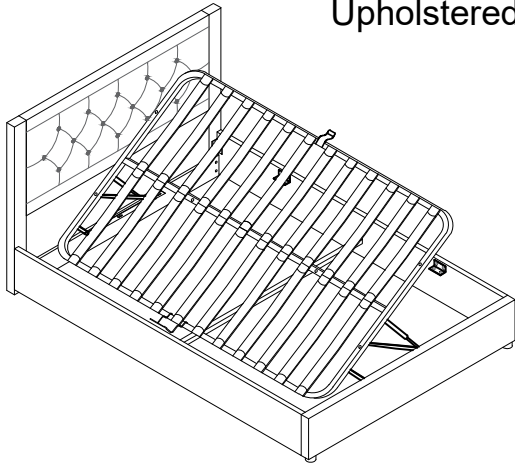


ASSEMBLY INSTRUCTION






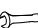


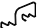

Item Number : WF307352AAG
WF307353AAG

Upholstered Bed:140*200CM



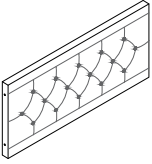

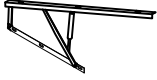
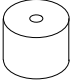
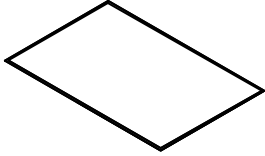
TIPPS

1. This set comes in 2 boxes. If you don't receive a full 2 boxes, please contact our customer service.
2. Please read the instructions fully before assembly. These instructions include important information which could ensure correct assembly. We have been working on providing high quality products for you. However, in the rare instance that your product is defective, missing parts or there are some issues, please don't hesitate to contact our customer service to submit parts requirements, assembly suggestion, or warranty claims, and we will give the best solution as soon as possible. If necessary, we need you to provide some more clear pictures of the issue.
3. Insert the screws in holes and tighten the screws, but not too tight, 70%~80% is ok, finally tighten all the screws. If some issues happened that some screws can not target to the hole or some parts are difficult to install, please adjust the tightness of the screws.
4. 2 people are recommended to finish.

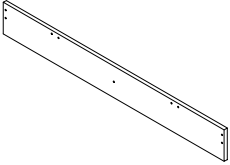
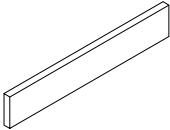
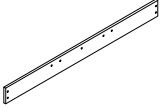
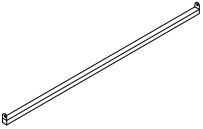
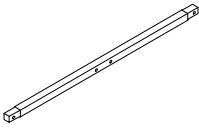
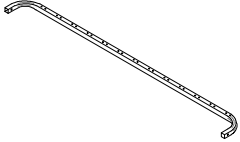
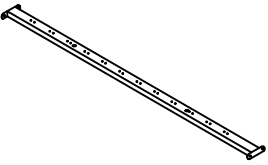
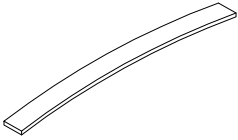
Parts List			Hardware List		
NO	ITEM	QTY	NO	ITEM	QTY
1	Head board	1	A	Allen Key 	1
2	Head board legs	2	B	Bolts (M8x45mm) 	22
3	Siderails	2	C	"7" Connector 	8
4	Foot board	1	D	Bolts (M8x18mm) 	32
5	Storage box board	1	E	Nails (M4x50mm) 	2
6	Gas lift	2	F	Nuts 	4
7	Cross bar	1	G	Spanner 	1
8	Bed legs	2	H	Nuts 	12
9	Non woven fabric	1	I	Middle legs 	2
10	Slat frame	1	J	Middle slats cap 	12
			K	End slats cap 	24
			L	Stopper 	1
			M	Pull tape 	1

Part List

Hardware List+WF307352AAG

1  Head board -1pc	2  Head board legs -2pcs	6  Gas lift -2pcs
8  Legs -2pcs	9  Non woven fabric -1pc	

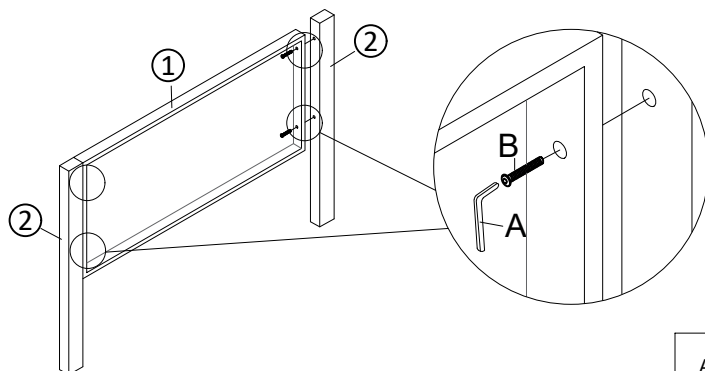
WF307353AAG



3  Side rails -2pcs	4  Foot board -1pc	5  Storage box board -1pc
7  Cross bar -1pc	10.1  Metal frame cross bar -2pcs	10.2  Metal frame side bar -2pcs
10.3  Metal frame middle bar -1pc	10.4  Slat -24pcs	

Attention: Do not tighten the screws before completing the entire installation. If you have any difficulty with the installation process, please feel free to contact us.

Step 1 x2

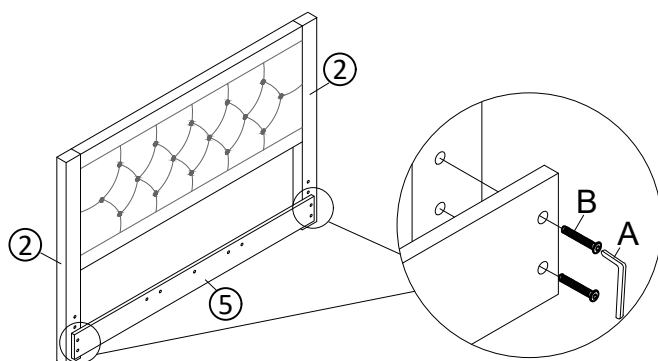
Fix the head board legs ② to the headboard ① with Bolts B by using Allen key A





A Allen Key	B Bolts x 4
	 M8X45mm

Step 2 x2

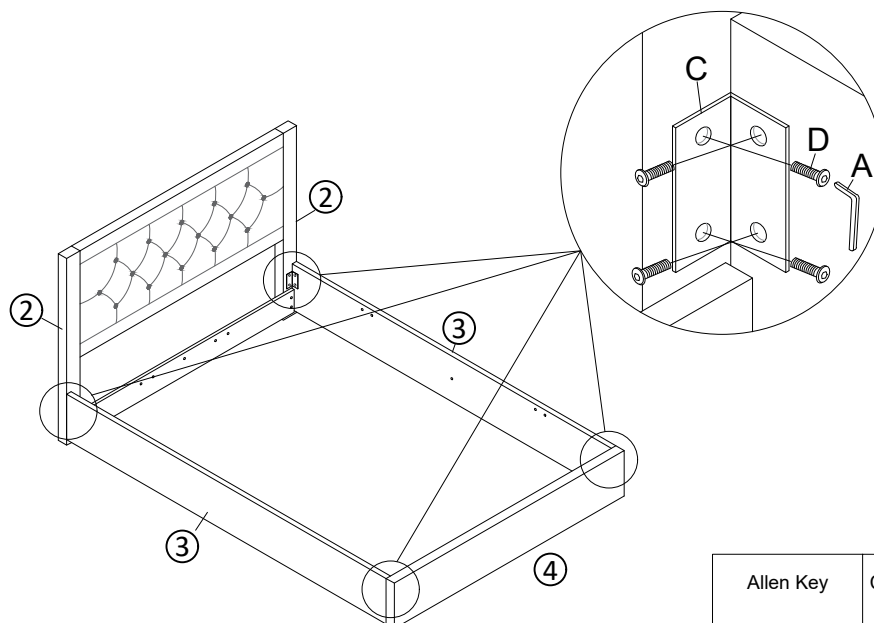
Fix the storage box board ⑤ to the head board legs ② with Bolts B by using Allen key A, Please select the two holes under the head board legs






A Allen Key	B Bolts x 4
	 M8X45mm

Step 3

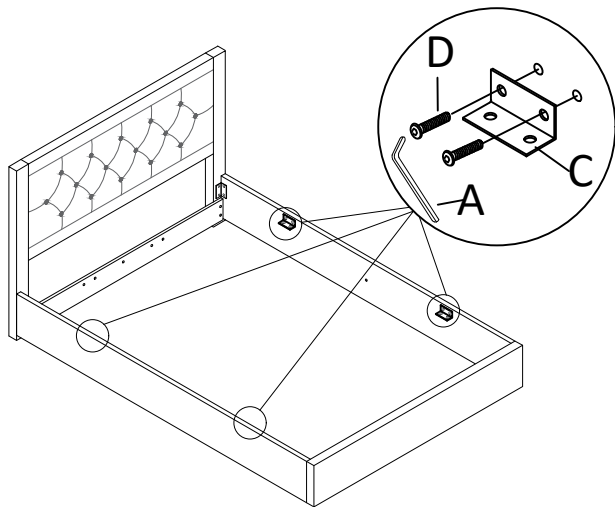
Fix the side rails ③ to the head board legs ② and foot board ④ with Bolts D and "7" Connector C by using Allen key A


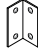



Allen Key	C "7" Connector x 4	D Bolts x 16
		 M8X18mm

Step 4

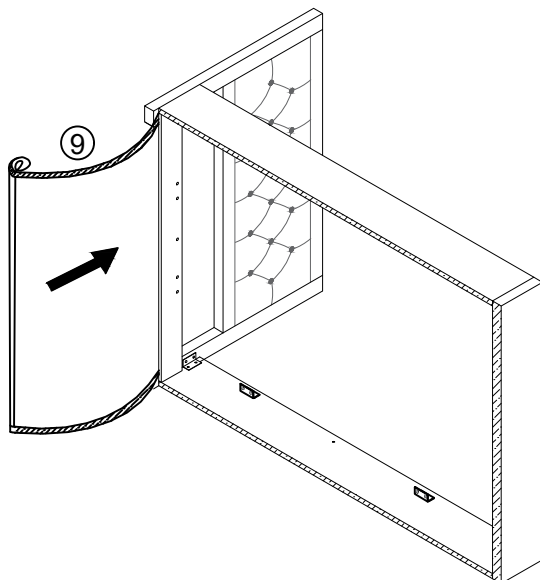
Fix the "7" Connector C to the siderails ④ with Bolts D by using Allen key A



Allen Key 	C "7" Connector x 4 	D Bolts x 8  M8X18mm
---	--	---

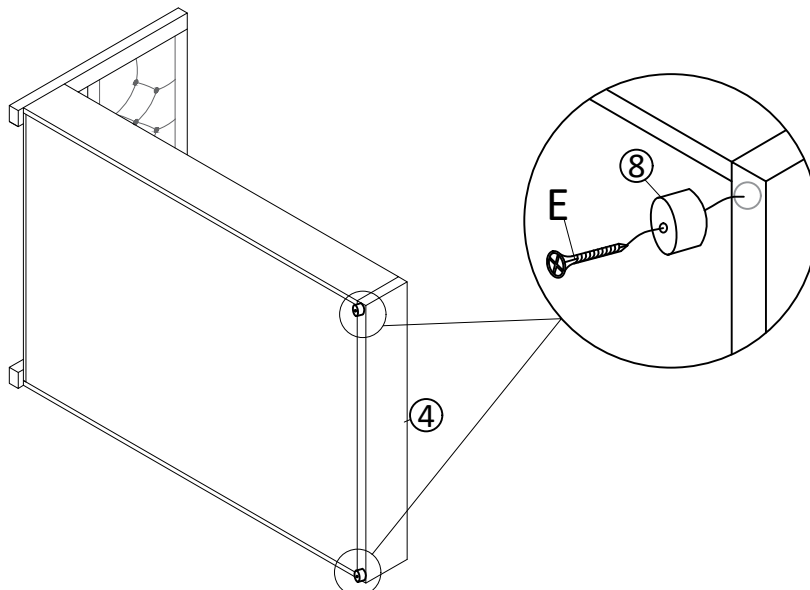
Step 5


Stick the black non-woven fabric ⑨ to the bottom of the bed



Step 6

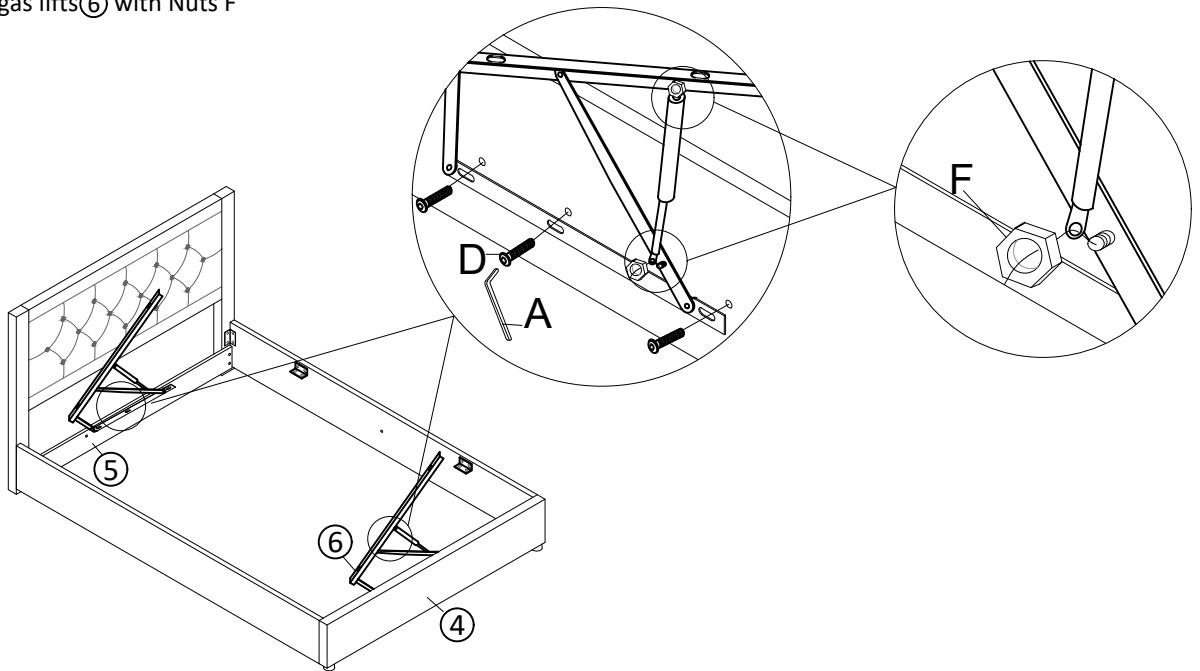
Fix the legs ⑧ to the footboard ④ with nails E by using electric drill or screw driver



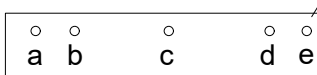
E Nails x2  M4x50mm
--

Step 7

Fix the gas lifts ⑥ to the storage box board ⑤ and footboard ④ with Bolts D by using Allen Key A or electric drill. fix the gas bar to the gas lifts ⑥ with Nuts F


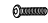


NOTICE:



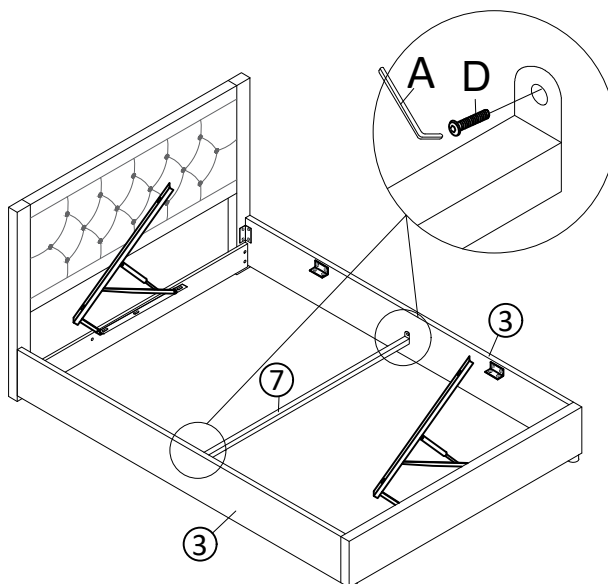
Foot board ④ / Storage box board ⑤



If you want to open the slat frame from the right, please select the three holes b, c, e. If you want to open it from the left, please select the three holes a, c, and d.

Allen Key 	D Bolts x 6  M8X18mm	F Nuts x4 
--	---	--

Step 8

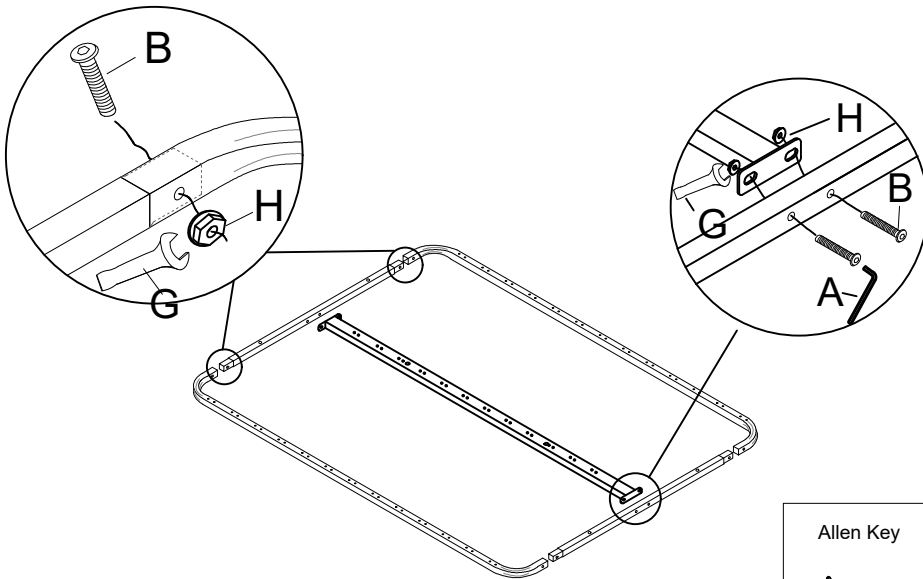
Fix the cross bar ⑦ to the side rails ③ with bolts D by using Allen key A







Allen Key 	D Bolts x 2  M8X18mm
--	---

Step 9

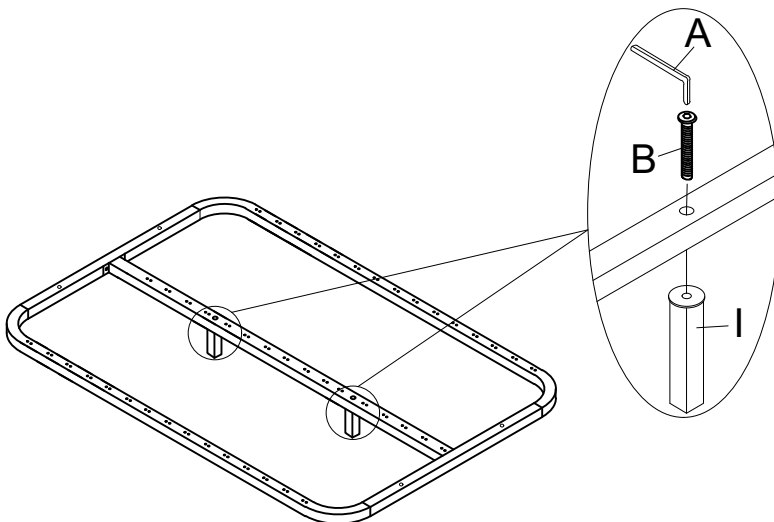
Assemble the slats frame with bolts B and nuts H by using Spanner G and Allen key A






Allen Key 	B Bolts x8  M8X45mm	H Nuts x8 	G Spanner x1 
--	--	--	---

Step 10

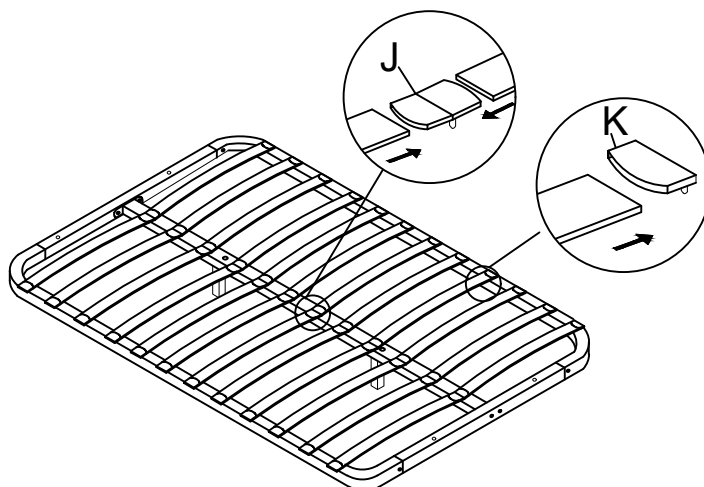
Fix middle legs I to the middle bar with bolts B by using Allen key A





Allen Key 	B Bolts x 2  M8X45mm	I Middle legs x 2 
--	---	--

Step 11

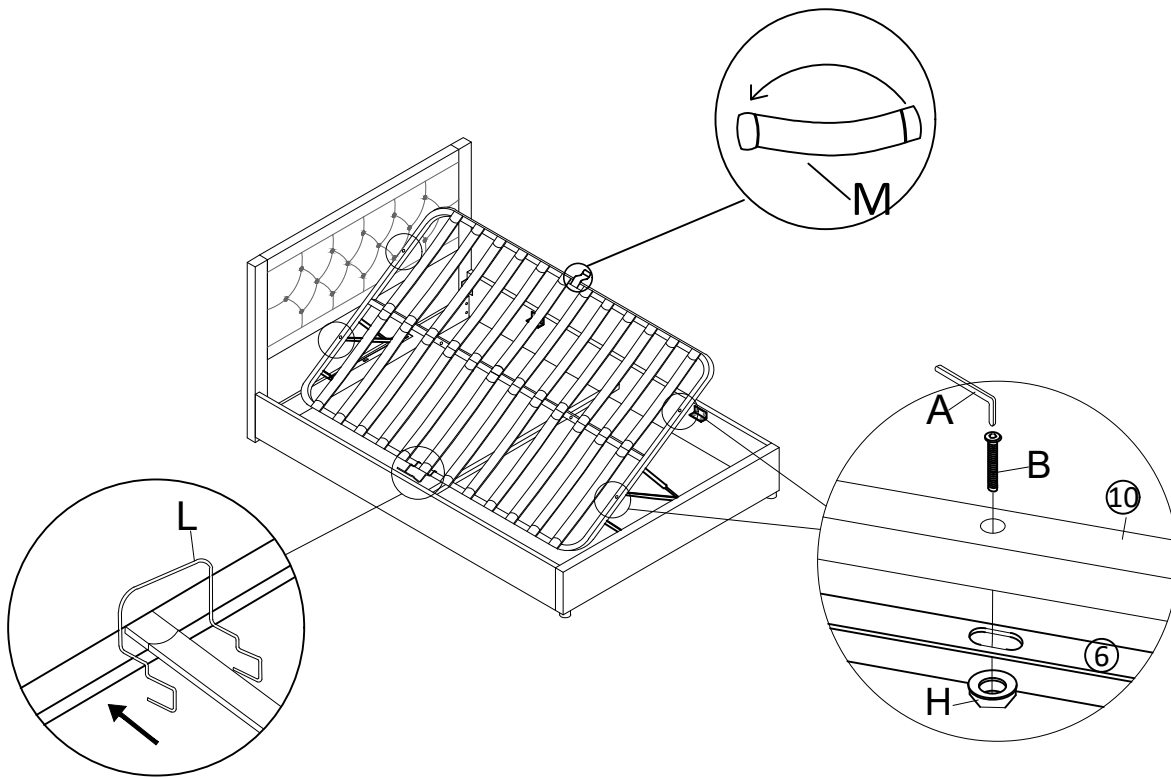
Assemble the slats into the assembled slats frame with middle slats cap J and end slats cap K




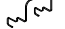



J Middle slats x12 	K End slats cap x24 
---	--

Step 12

Assemble the slats frame ⑩ to the gas lifts ⑥ with bolts B and nuts H, put the stopper L in the side middle of the slat frame and put the pull tape M in another side middle of the slat frame. then assembly is finished, now please tighten all hardware and enjoy your bed.



Allen Key 	B Bolts x 4  M8X45mm	H Nuts x 4 	L Stopper x1 	M Pull tape x1 
--	--	---	---	---