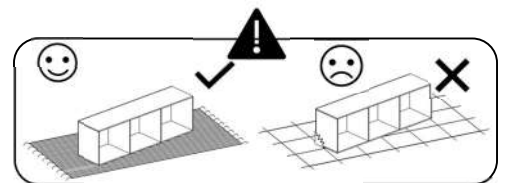
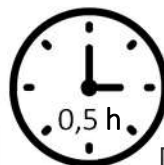
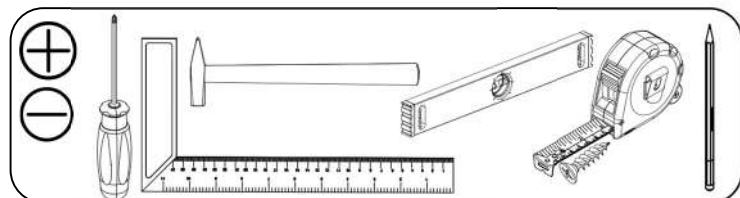
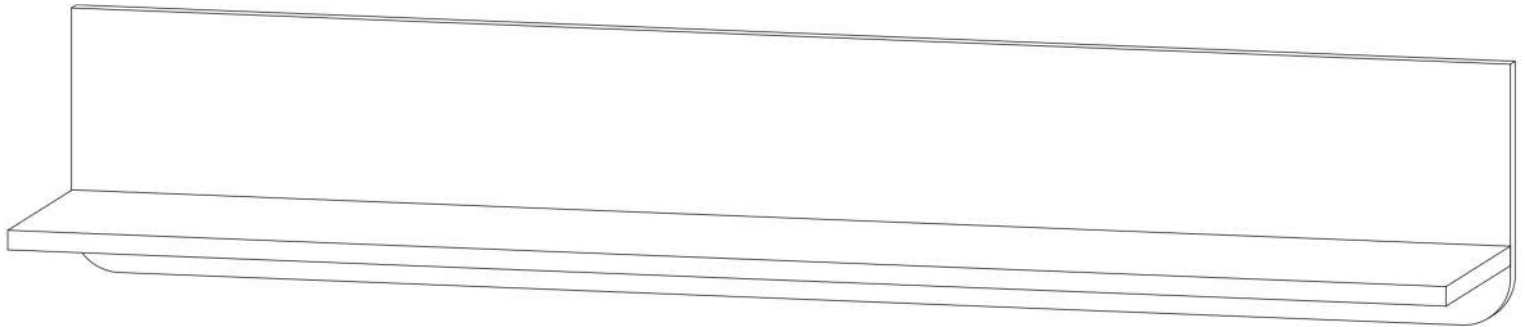
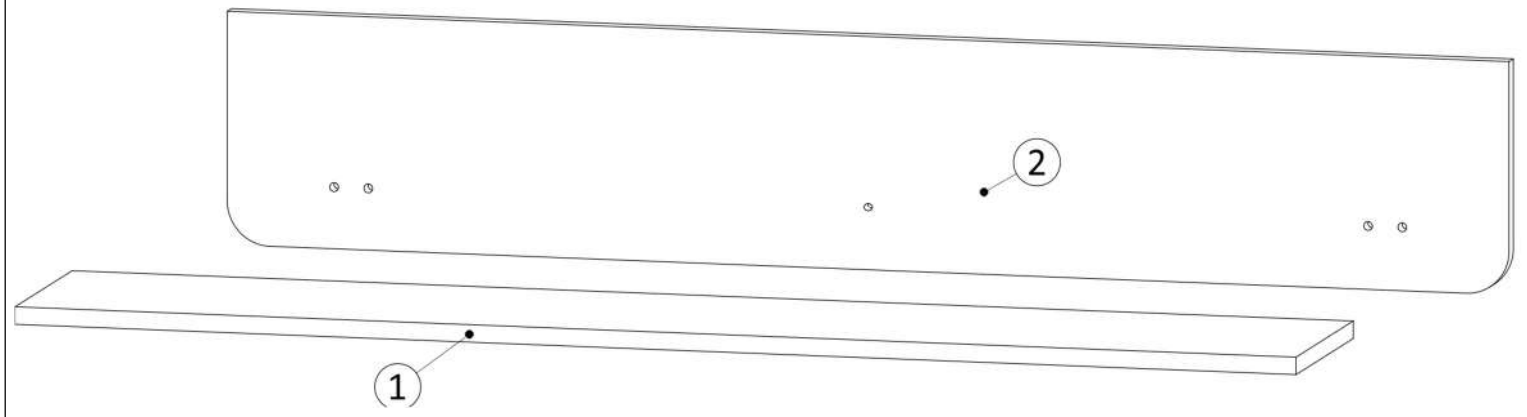


# CHLOE

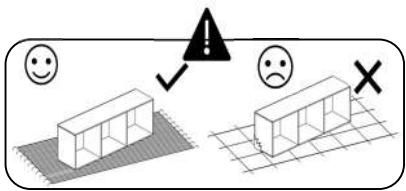
1200/1500





1200				
No	T(mm)	L(mm)	W(mm)	pcs.
1	16	1199	215	1
2	16	1200	215	1

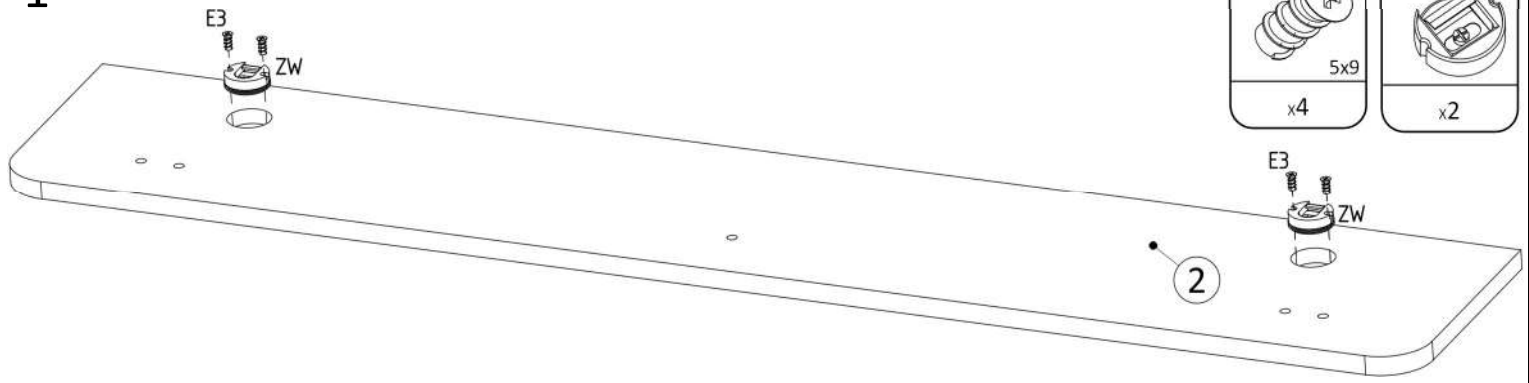
1500				
No	T(mm)	L(mm)	W(mm)	pcs.
1	16	1499	215	1
2	16	1500	215	1



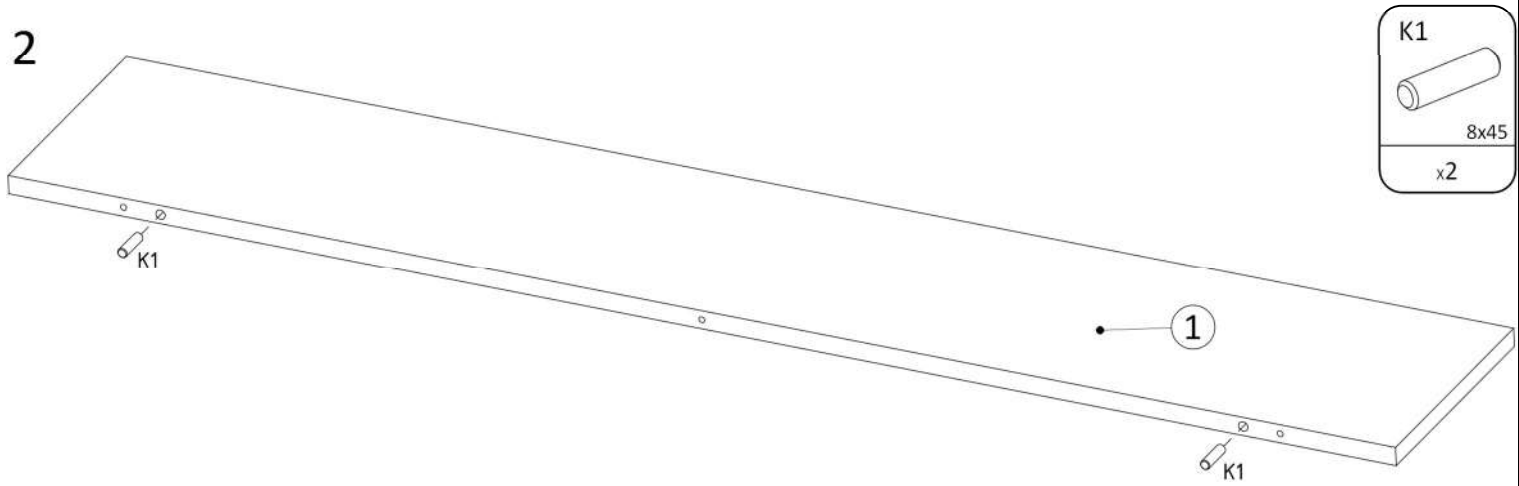
<p>K1 8x45 x2</p>	<p>E3 5x9 x4</p>	<p>ZW x2</p>	<p>F 7x50 x3</p>	<p>KL x1</p>
---------------------------	--------------------------	------------------	--------------------------	------------------



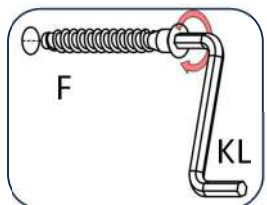
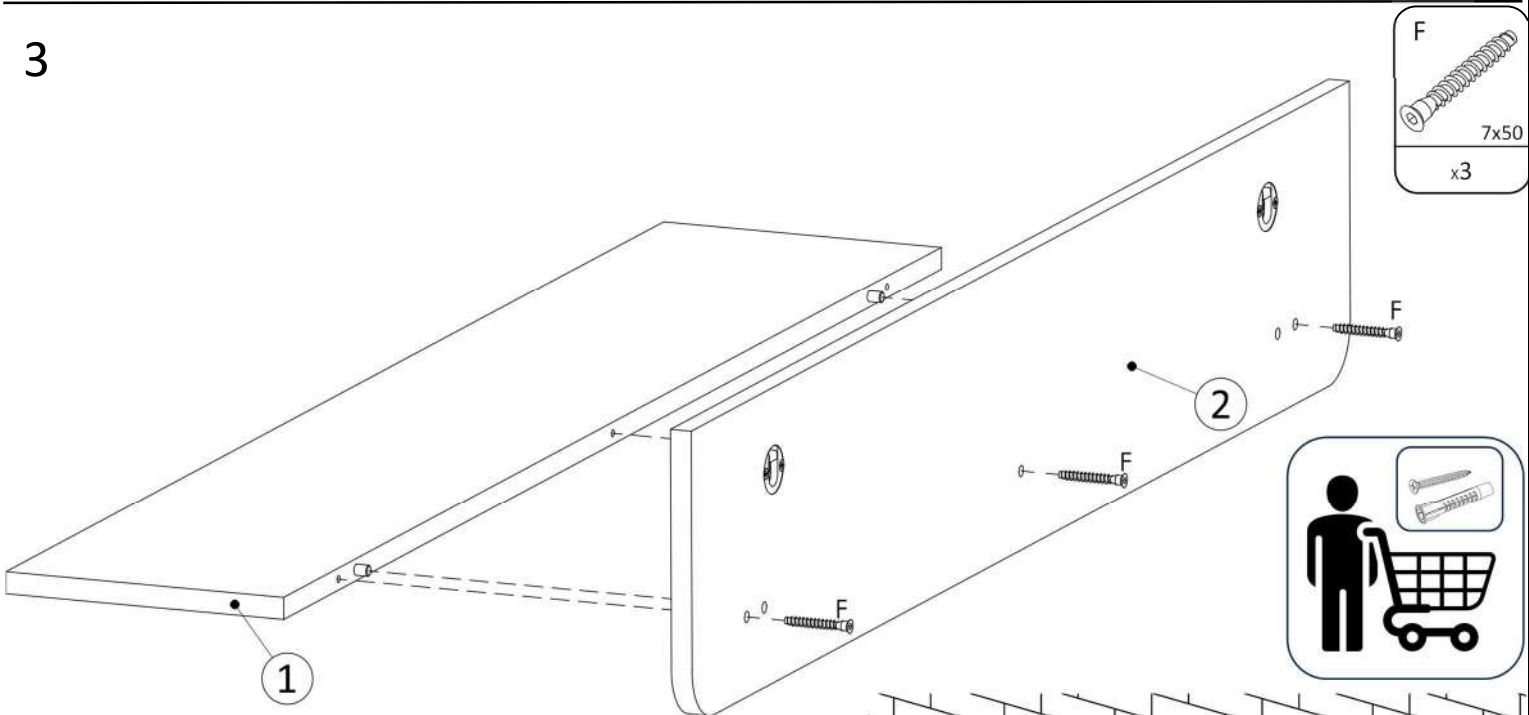
1



2



3



A	(mm)
1200	900
1500	1200

