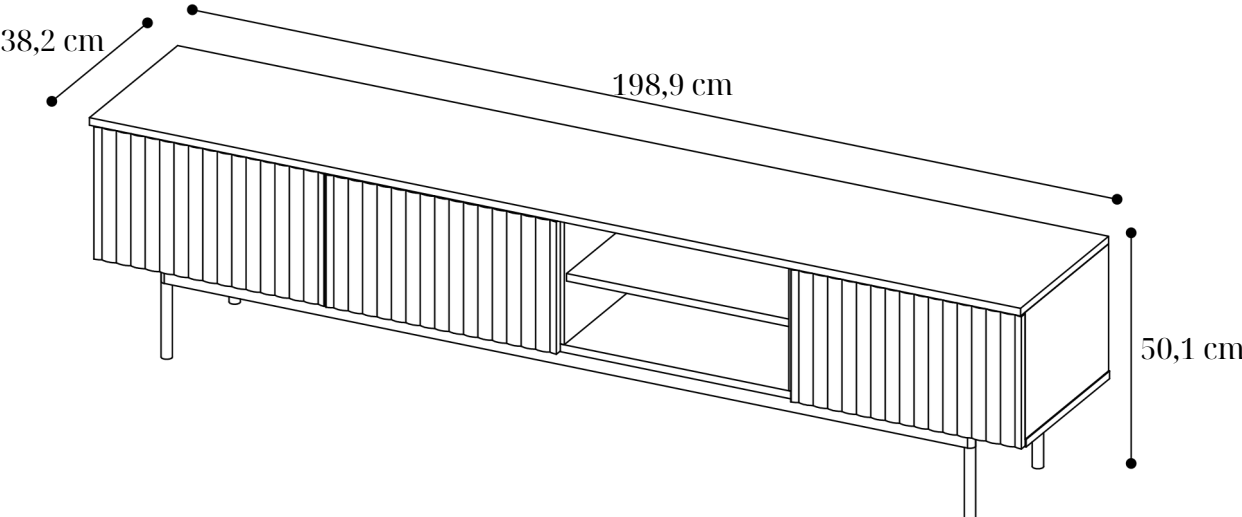
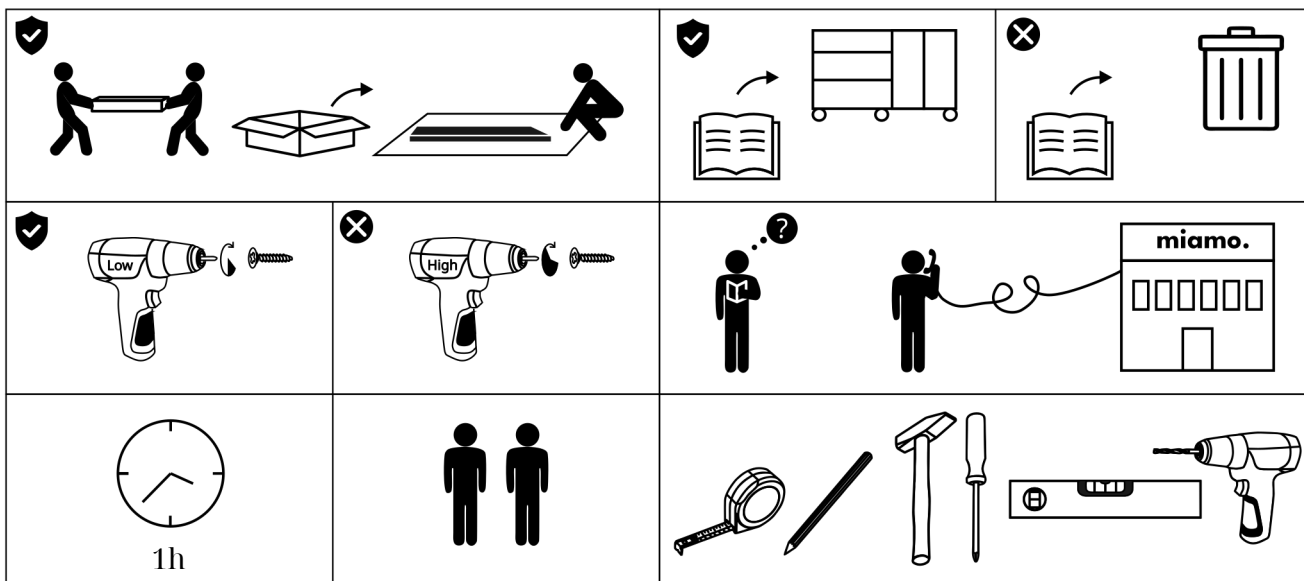


# Montageanleitung

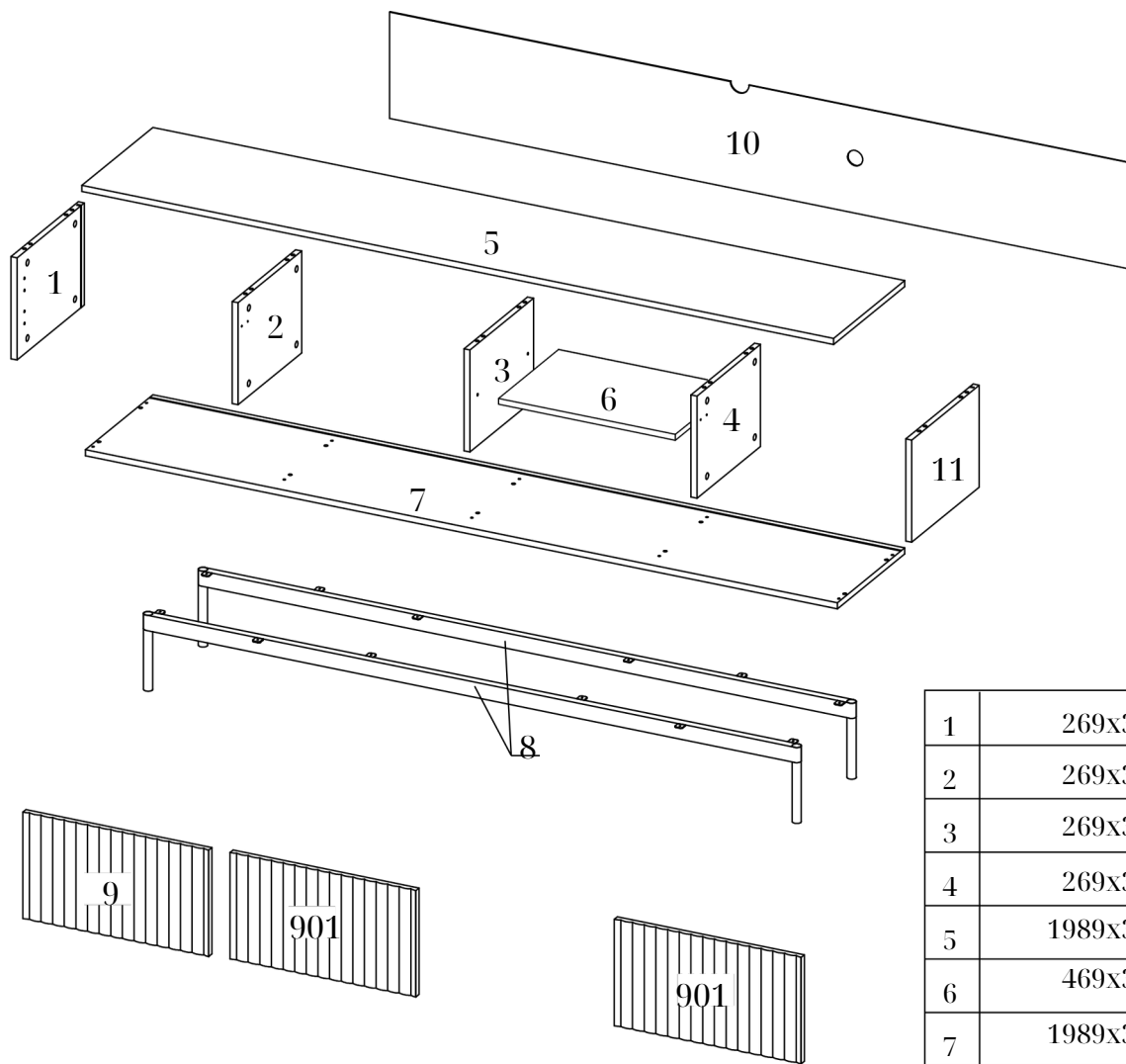
---





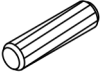

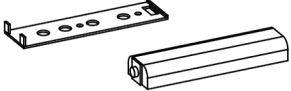

## Lista akcesoriów Accessories list




<b>PTO x3</b> 	<b>A x20</b>  8x35mm	<b>B x20</b>  29,5mm	<b>C x20</b>  15x12mm	<b>F x20</b> 	<b>N x6</b>  3x25mm	<b>N1 x19</b>  3,5x16mm
<b>N2 x12</b>  3,5x12mm	<b>TA x1</b>  77x30x15mm	<b>Z x4</b>  4mm	<b>X x10</b> 	<b>P2 x6</b>  35mm		

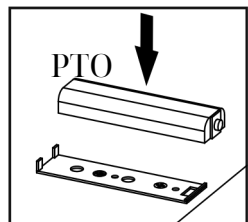
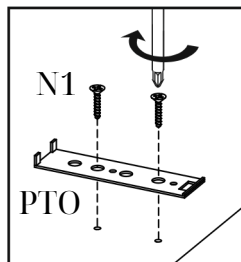
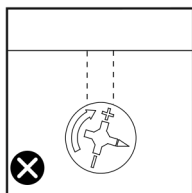
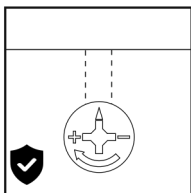
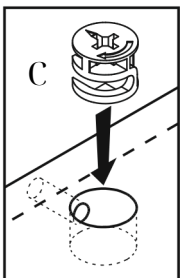
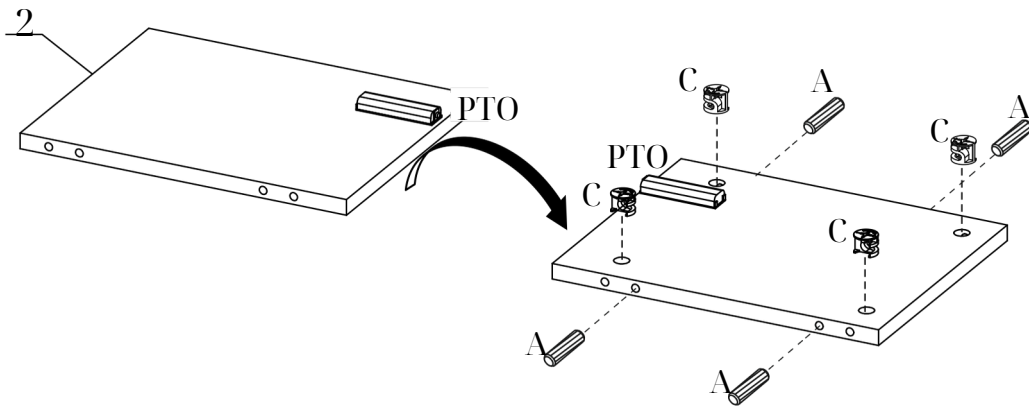
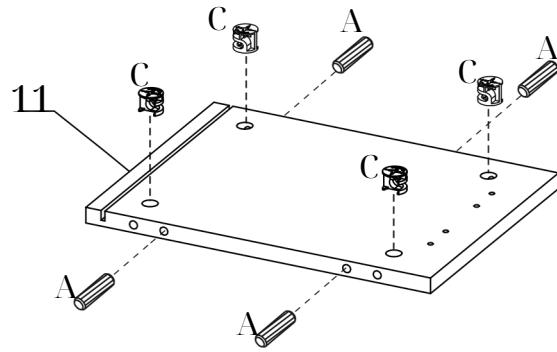
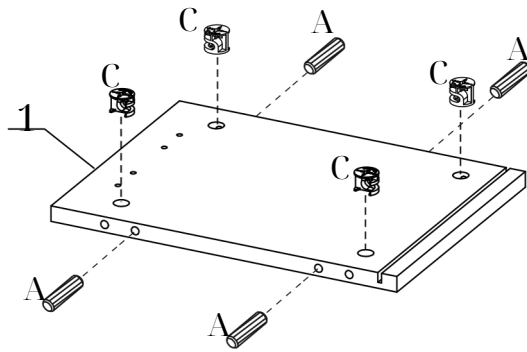
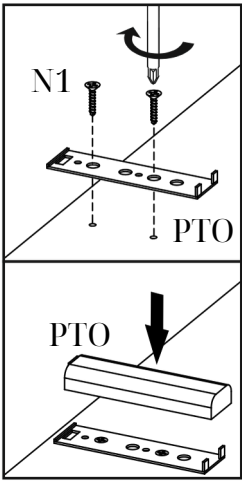
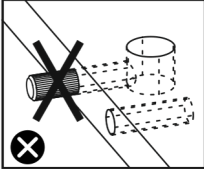
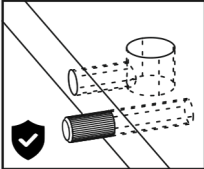
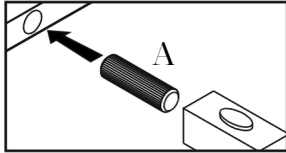


1	269x362x16mm
2	269x341x16mm
3	269x341x16mm
4	269x341x16mm
5	1989x382x16mm
6	469x331x16mm
7	1989x362x16mm
8	1766x200x22mm
9	280x500x16mm
901	280x500x16mm
10	1966x283x3mm
11	269x362x16mm

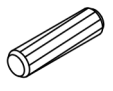

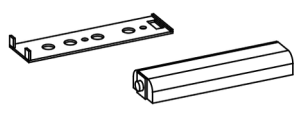

1

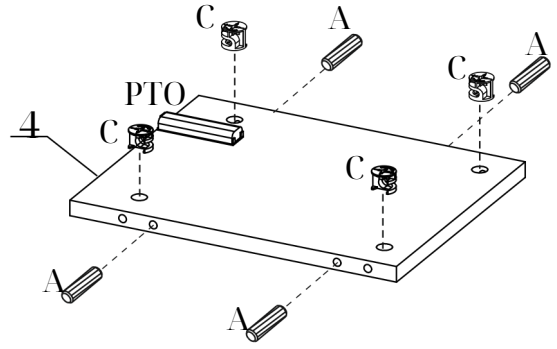
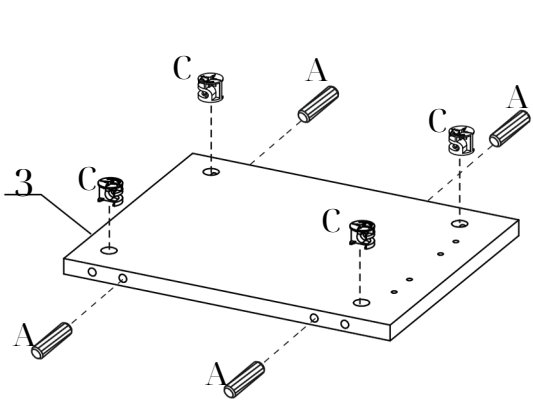
A x12 8x35mm 	C x12 15x12mm 	PTO x2 	N1 x4 3,5x16mm 
--	---	---	--

N1 ✓ 3,5x16mm 	N2 ✗ 3,5x12mm 	N ✗ 3x25mm 
---	---	--

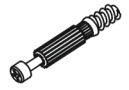



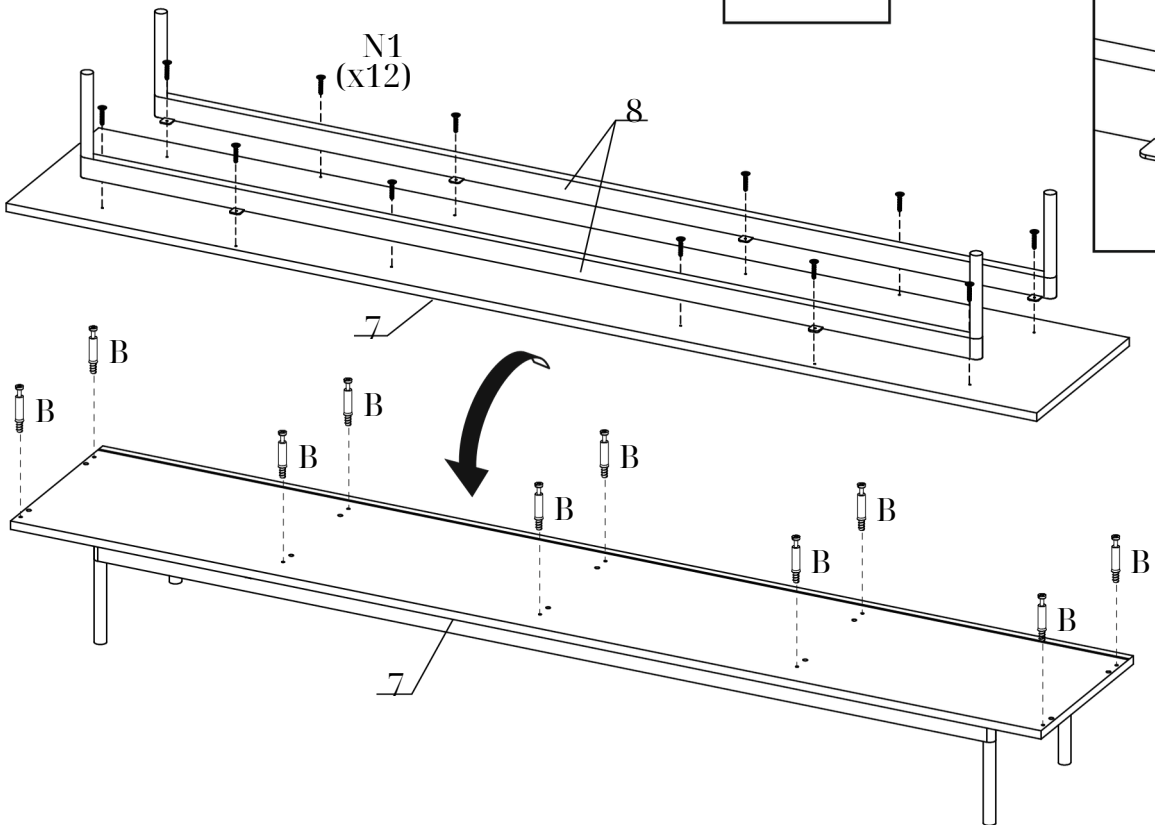
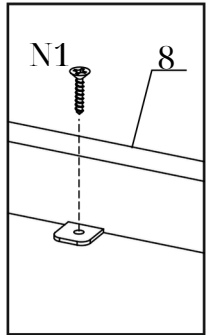
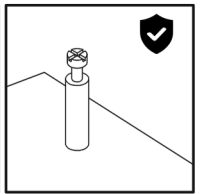
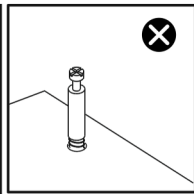
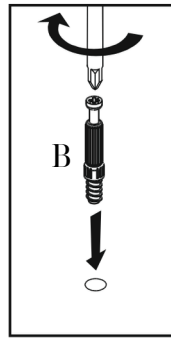
2

<p>A x8</p>  <p>8x35mm</p>	<p>C x8</p>  <p>15x12mm</p>	<p>PTO x1</p> 	<p>N1 x2</p>  <p>3,5x16mm</p>
---	--	---	--

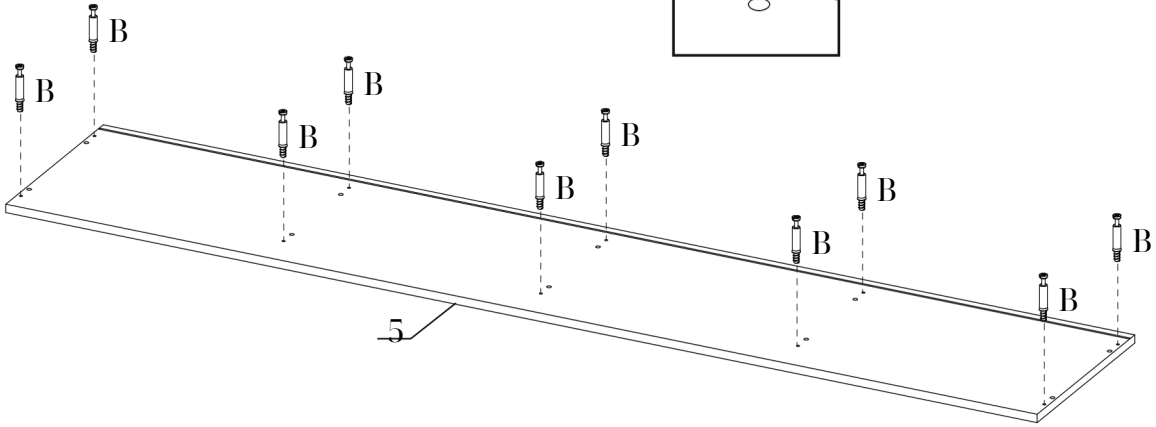
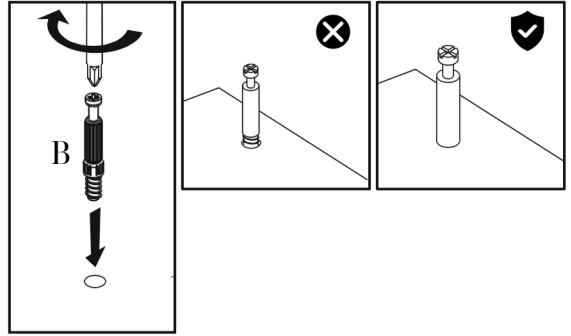
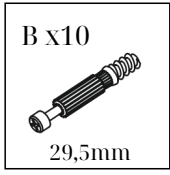


3

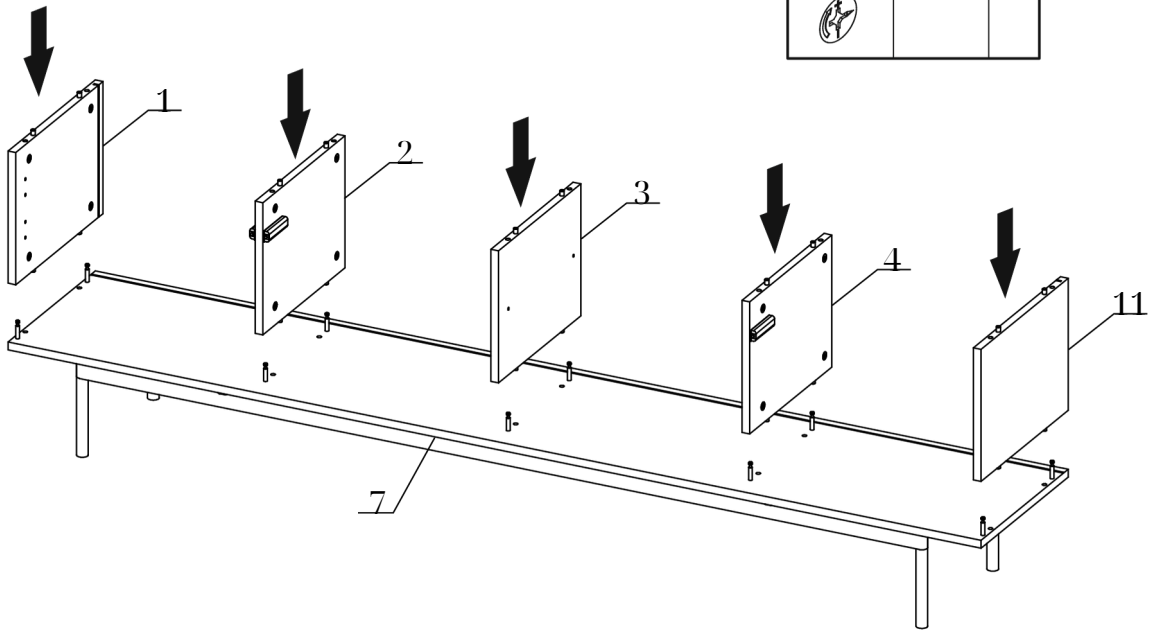
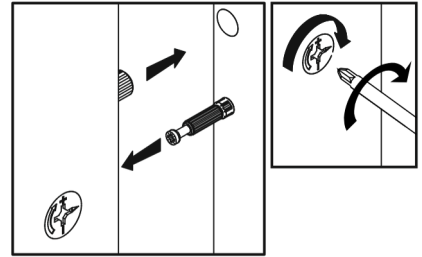
<p>B x10</p>  <p>29,5mm</p>	<p>N1 x12</p>  <p>3,5x16mm</p>
---	--



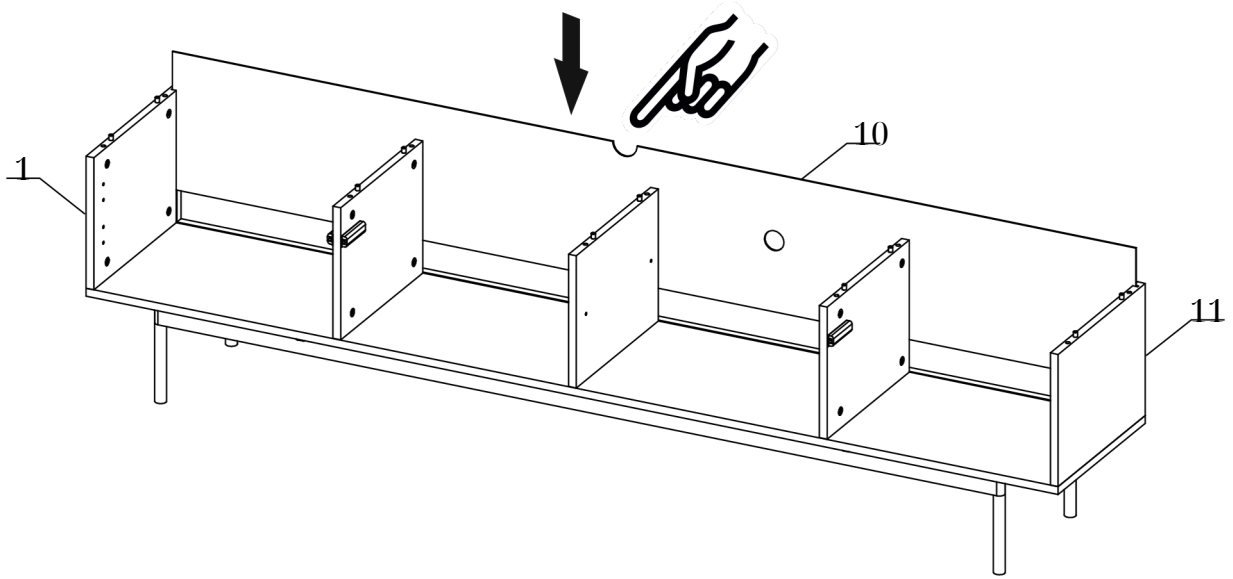
4



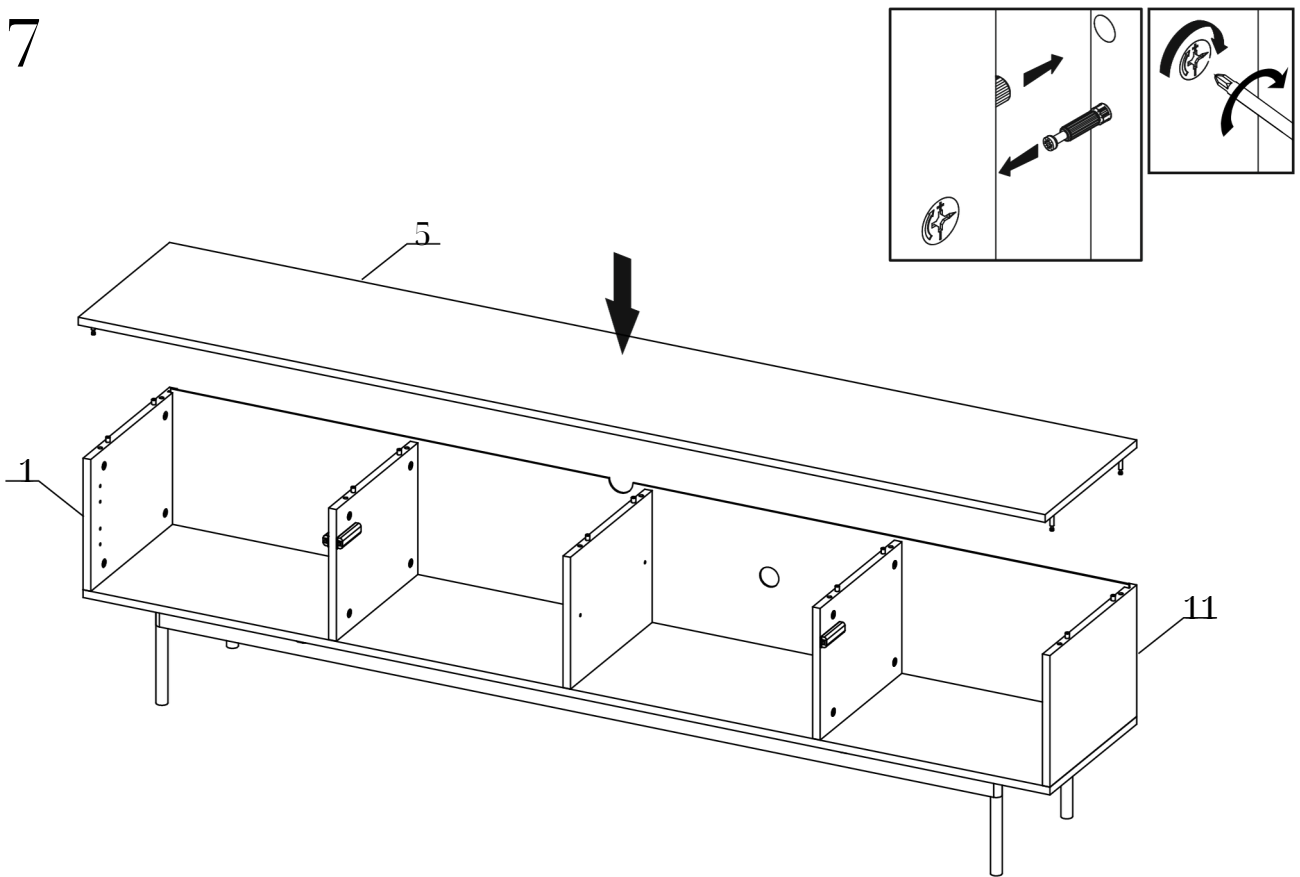
5



6

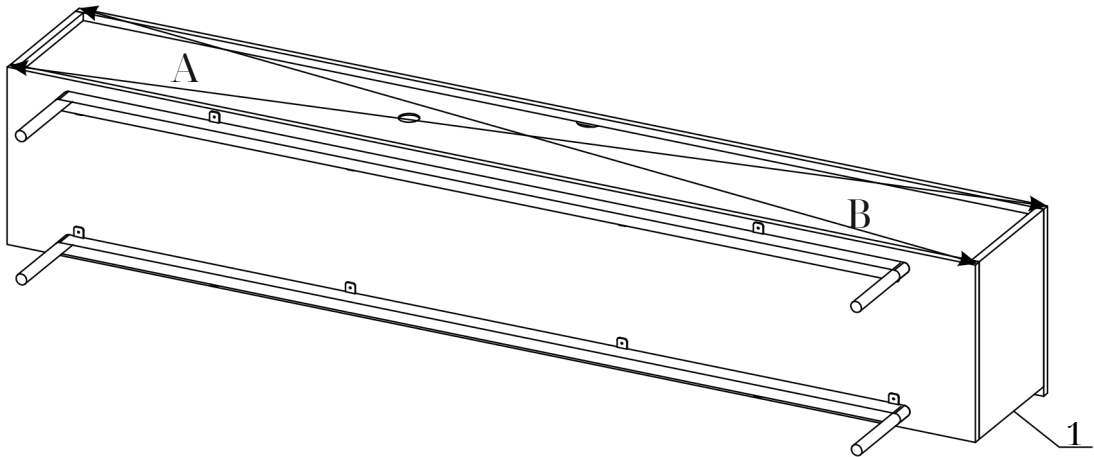
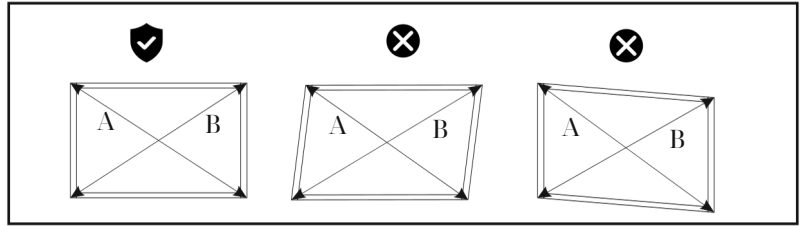
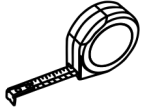


7

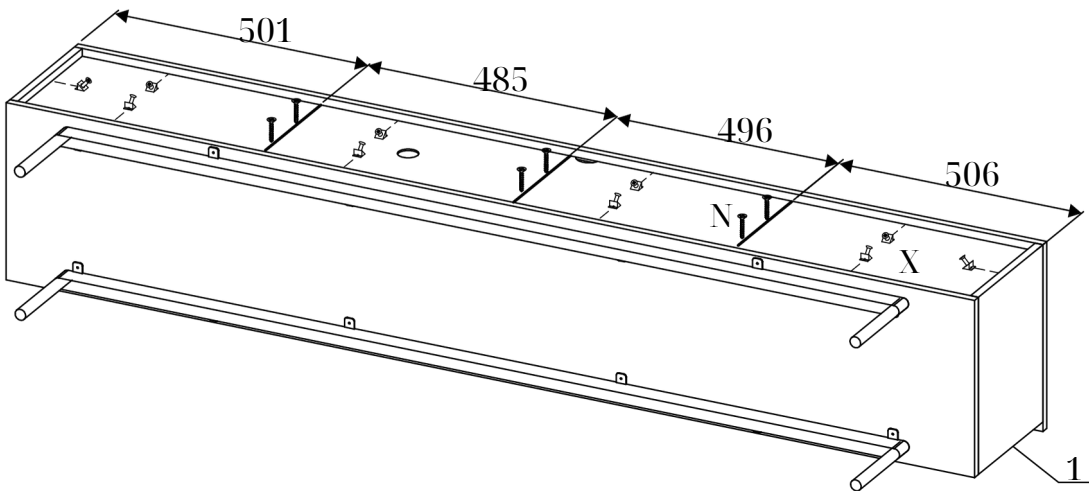
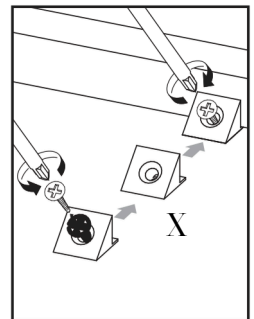
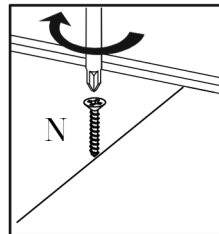
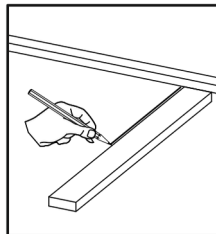
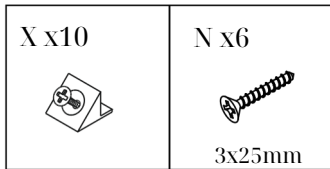


8

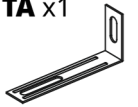

$A=B$

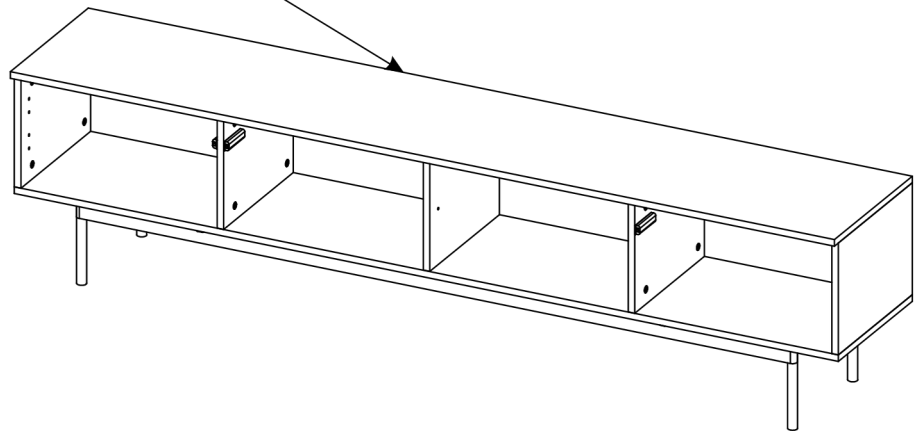
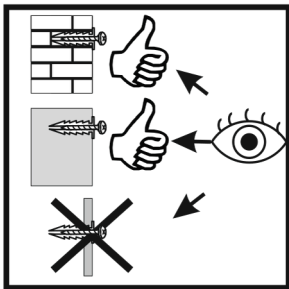
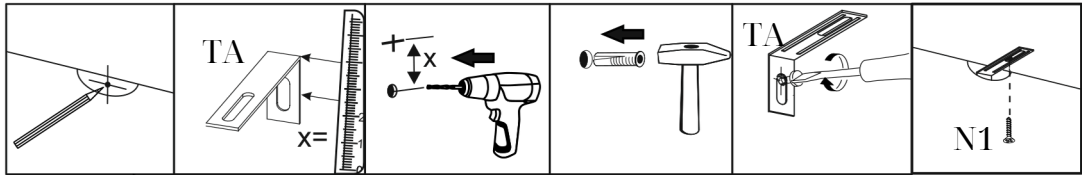


9

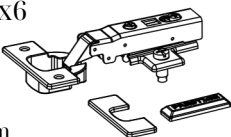




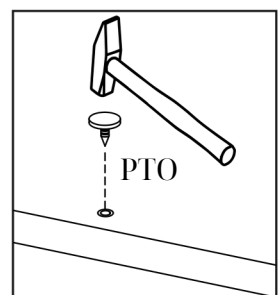
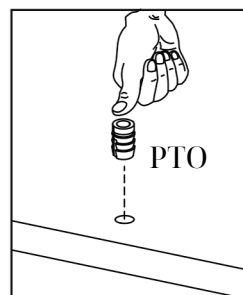
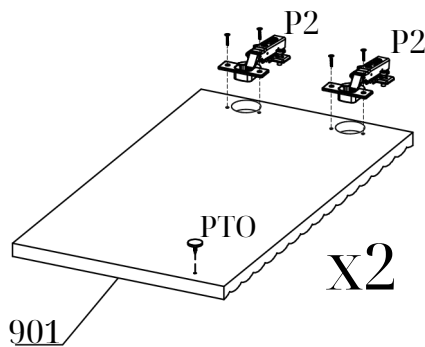
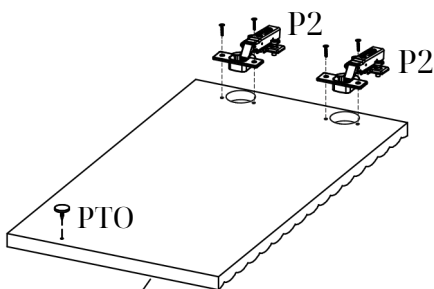
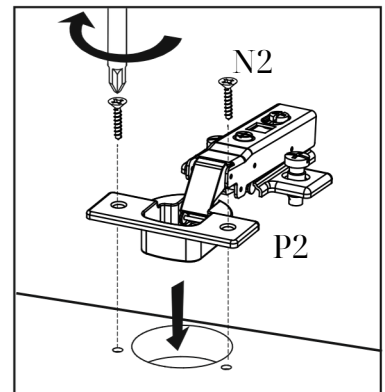
10

<b>TA x1</b>  77x30x15mm	<b>N1 x1</b>  3,5x16mm
---	---





11

<b>P2 x6</b>  35mm	<b>N2 x12</b>  3,5x12mm	<b>PTO x3</b> 
---	--	--



12

Z x4  4mm	F x20 
--	--

