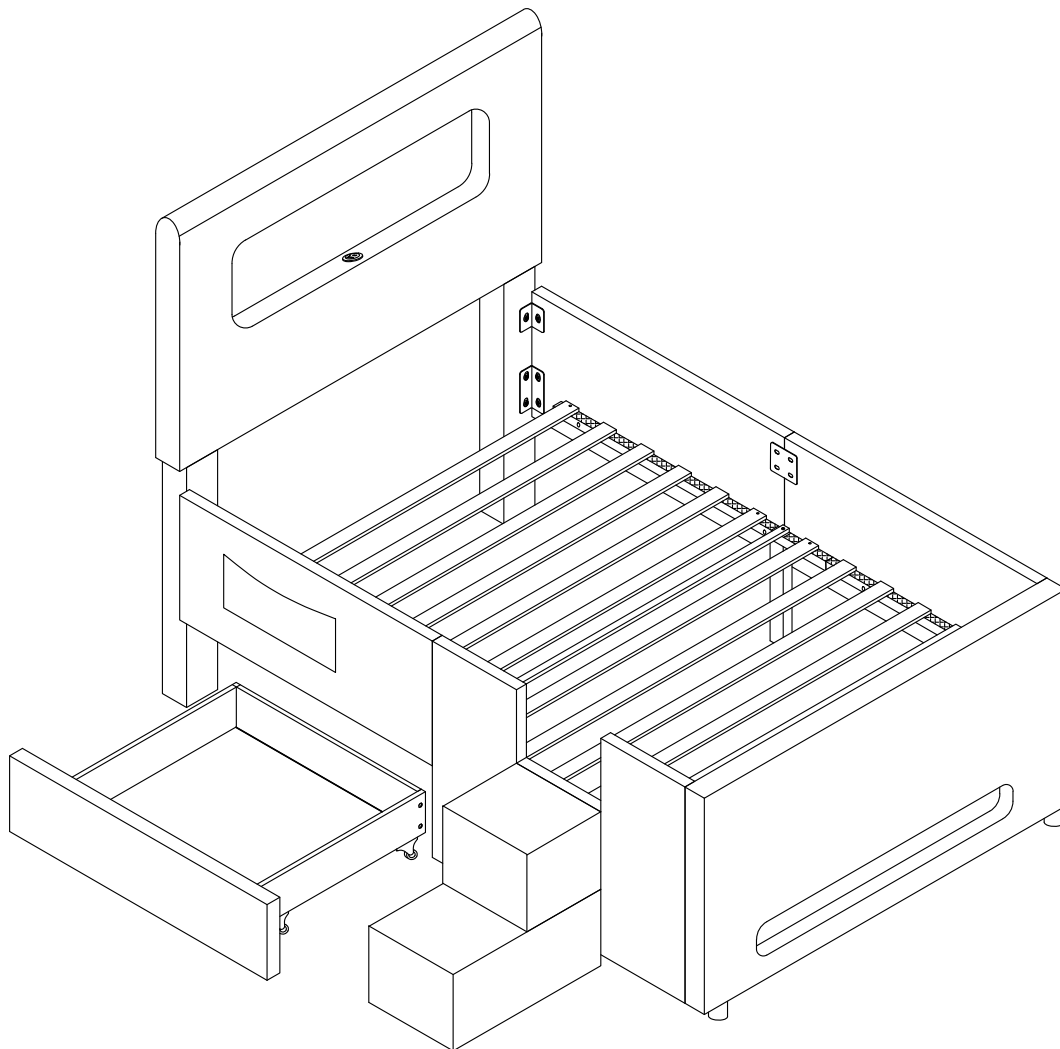


Installation sanleitung Installation Instruction Instruction d'installation

N879P355121 N879P355122



Unser Produkt wird Ihnen in 2 Paketen geliefert. Die Lieferzeiten dieser 2 Pakete können abweichen, bitte haben Sie etwas Geduld und vielen Dank für Ihr Verständnis.

Our product will be delivered to you in 2 packages. The delivery times of these 2 packages may differ, please be patient and thank you for your understanding.

Notre produit vous sera livré en 2 colis. Les délais de livraison de ces 2 colis peuvent différer, soyez patient et merci pour votre compréhension.



Points de collecte sur www.quefairedemesdechets.fr
Privilégiez la réparation ou le don de votre appareil !

English

IMPORTANT ! KEEP FOR FUTURE REFERENCE : READ CAREFULLY

- To be assembled by an adult. Assembly must be checked by an adult before use
- WARNING ! Keep all screws, small parts and plastic bags out of the reach of children
- Properly identify all parts before assembling
- Never use your item if any of its parts are broken or missing
- Should any problems arise, please contact our After Sales Service
- Manufacturer's instructions shall be followed at all times
- Care: Clean with a soft, dry cloth. In case of larger stains, carefully rub with a slightly damp, non-abrasive sponge
- Avoid the risk of fire by not placing furniture near sources of ignition or hot items
- Do not jump on the bed

Deutsch

WICHTIG ! ZUM SPÄTEREN NACHSCHLAGEN AUFBEWAHREN: SORGFÄLTIG LESEN

- Muss von einem Erwachsenen zusammengebaut werden. Der Zusammenbau muss vor dem Gebrauch von einem Erwachsenen überprüft werden
- WARNUNG! Bewahren Sie alle Schrauben, Kleinteile und Plastikbeutel außerhalb der Reichweite von Kindern auf
- Kennzeichnen Sie vor dem Zusammenbau alle Teile richtig
- Benutzen Sie Ihren Artikel niemals, wenn Teile gebrochen sind oder fehlen
- Sollten Probleme auftreten, wenden Sie sich bitte an unseren Kundendienst
- Die Anweisungen des Herstellers sind stets zu befolgen
- Pflege: Mit einem weichen, trockenen Tuch reinigen. Bei größeren Flecken vorsichtig mit einem leicht feuchten, nicht scheuernden Schwamm abreiben. nicht scheuernden Schwamm
- Vermeiden Sie die Gefahr eines Brandes, indem Sie die Möbel nicht in der Nähe von Zündquellen oder heißen Gegenständen aufstellen
- Nicht auf das Bett springen

Français

IMPORTANT ! CONSERVER POUR RÉFÉRENCE ULTÉRIEURE : LIRE ATTENTIVEMENT

- Le montage doit être effectué par un adulte. Le montage doit être vérifié par un adulte avant Utilisation
- ATTENTION ! Tenir les vis, les petites pièces et les sachets en plastique hors de portée des enfants
- Identifiez correctement toutes les pièces avant de les assembler
- N'utilisez jamais votre article si l'une de ses pièces est cassée ou manquante
- En cas de problème, veuillez contacter notre service après-vente
- Les instructions du fabricant doivent être respectées à tout moment
- Entretien : nettoyer avec un chiffon doux et sec. En cas de taches plus importantes, frotter soigneusement avec une éponge non abrasive légèrement humide. légèrement humide et non Abrasive
- Évitez les risques d'incendie en ne plaçant pas les meubles à proximité de sources d'inflammation ou d'objets chauds
- Ne pas sauter sur le lit

Italiano

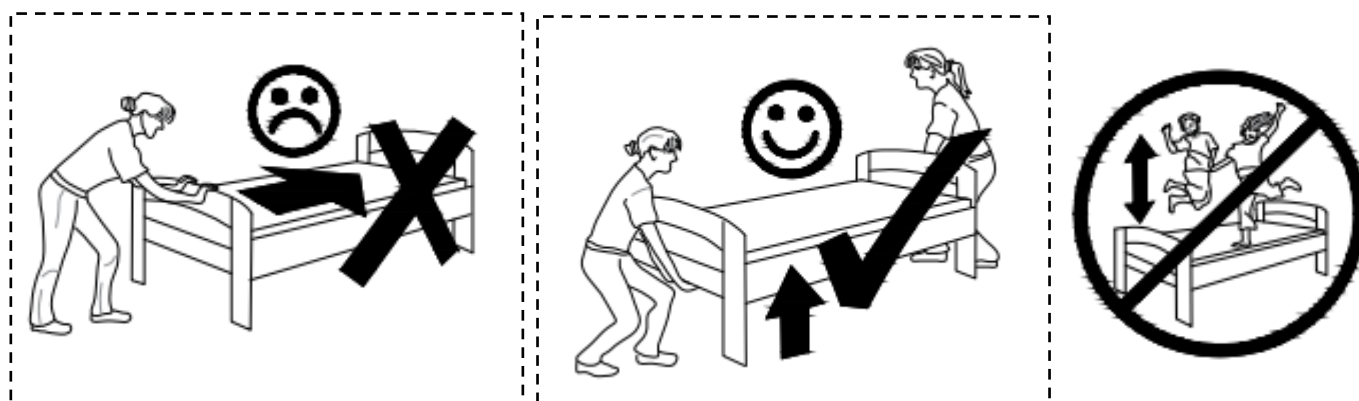
IMPORTANTE! CONSERVARE PER RIFERIMENTO FUTURO: LEGGERE ATTENTAMENTE

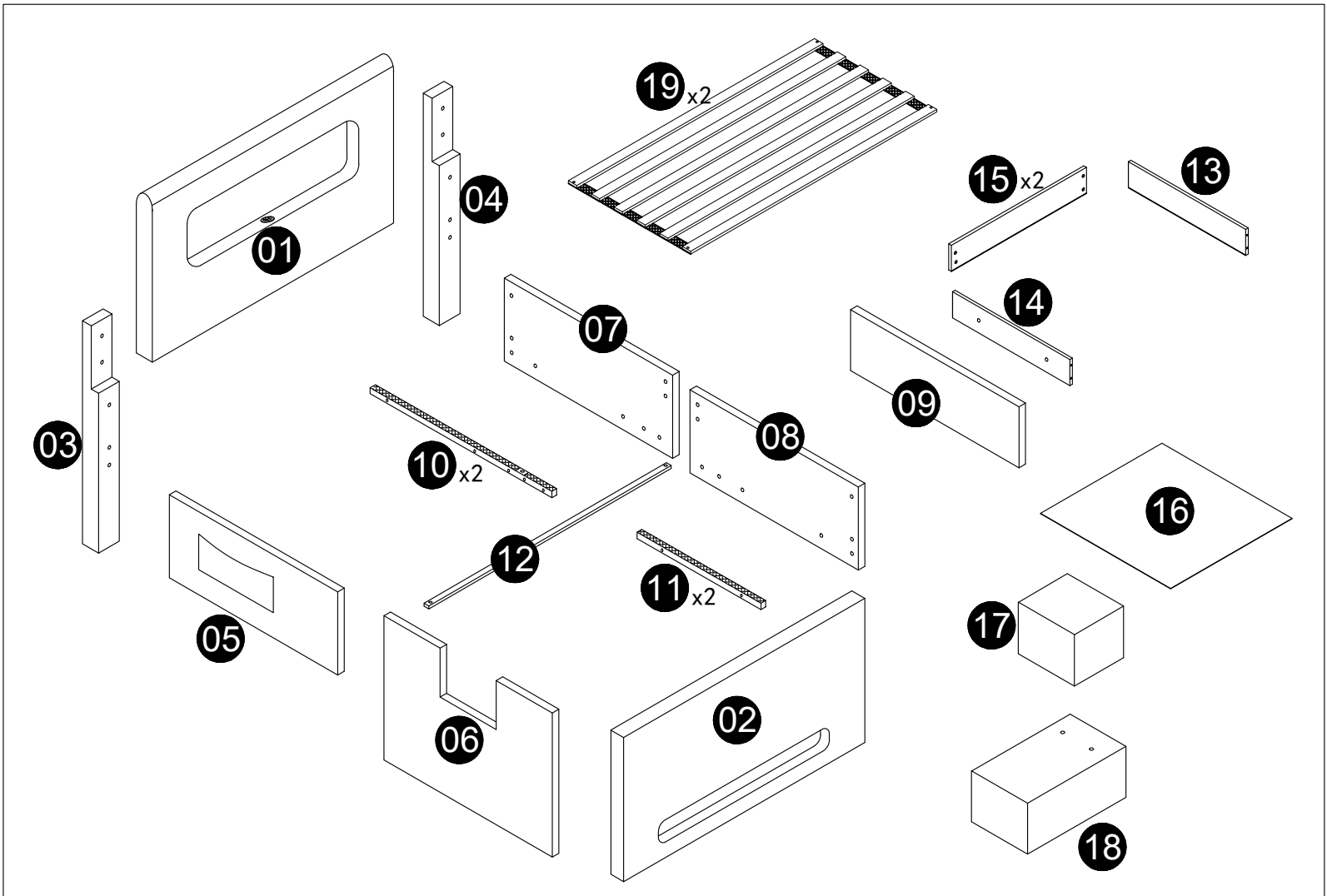
- Deve essere assemblato da un adulto. L'assemblaggio deve essere controllato da un adulto prima dell'uso
- **ATTENZIONE!** Tenere tutte le viti, le piccole parti e i sacchetti di plastica fuori dalla portata dei bambini
- Identificare correttamente tutte le parti prima dell'assemblaggio
- Non utilizzare mai l'articolo se alcune parti sono rotte o mancanti
- In caso di problemi, si prega di contattare il nostro Servizio Post Vendita
- Le istruzioni del produttore devono essere sempre seguite
- Cura: Pulire con un panno morbido e asciutto. In caso di macchie più estese, strofinare accuratamente con una spugna leggermente umida e nonspugna leggermente umida e non abrasiva
- Evitare il rischio di incendio, non collocando i mobili vicino a fonti di accensione o a oggetti caldi
- Non saltare sul letto

Español

¡ IMPORTANTE ! CONSERVELO PARA FUTURAS CONSULTAS: LEA ATENTAMENTE

- Debe ser montado por un adulto. El montaje debe ser comprobado por un adulto antes del uso
- ADVERTENCIA Mantenga todos los tornillos, piezas pequeñas y bolsas de plástico fuera del alcance de los niños.
- Identifique correctamente todas las piezas antes de montarlas
 - Nunca utilice su artículo si alguna de sus piezas está rota o falta
 - Si surge algún problema, póngase en contacto con nuestro Servicio Postventa
 - Las instrucciones del fabricante deben seguirse en todo momento
 - Cuidado: Limpiar con un paño suave y seco. En caso de manchas más grandes, frote cuidadosamente con una esponja no abrasiva ligeramente humedecida.
 - Evite el riesgo de incendio no colocando los muebles cerca de fuentes de ignición u objetos calientes.
 - No saltar sobre la cama.





N879P355121

O		1
P		1
Q		1
R		1

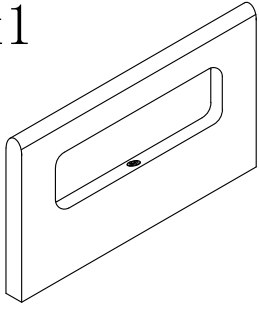
N879P355122

A		32
B		8
C		16
D		8
E		8
F		8
G		2
H		3

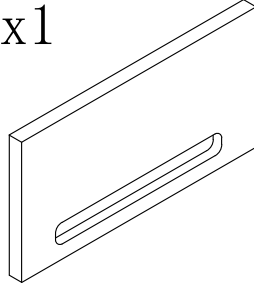
I		4
J		1
K		2
L		2
M		2
N		4
S		1
T		1

N879P355121

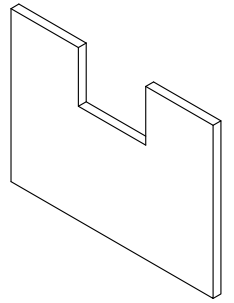
01 x1



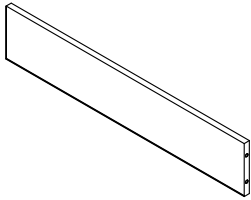
02 x1



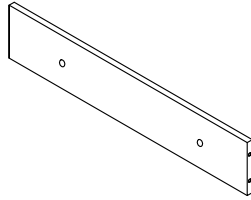
06 x1



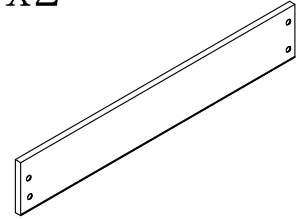
13 x1



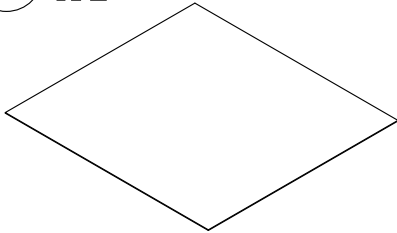
14 x1



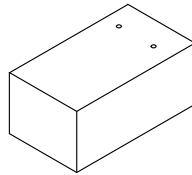
15 x2



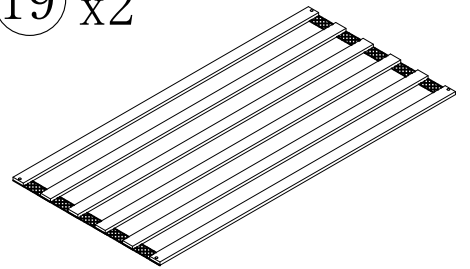
16 x1



18 x1

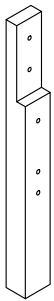


19 x2



N879P355122

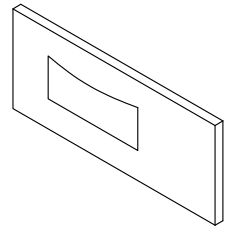
03 x1



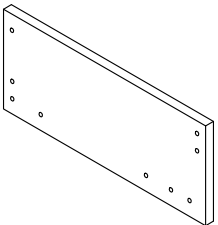
04 x1



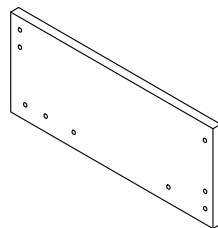
05 x1



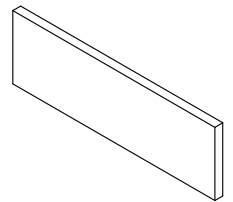
07 x1



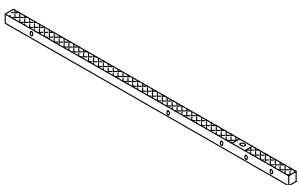
08 x1



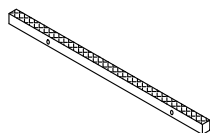
09 x1



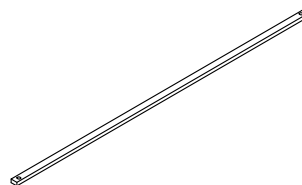
10 x2



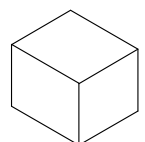
11 x2



12 x1



17 x1



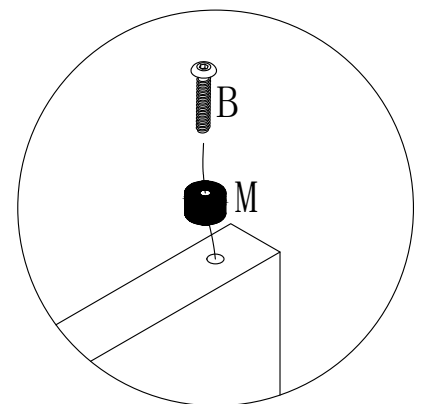
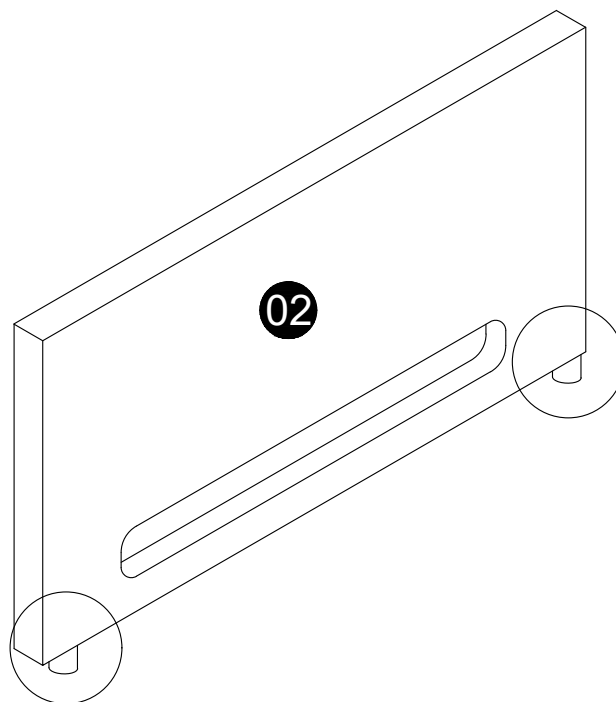
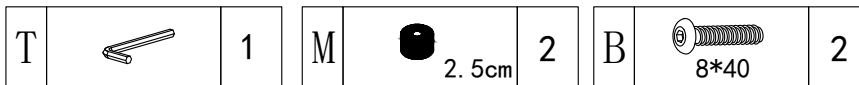
01

Vor dem Einbau die Schrauben in die Löcher stecken und festziehen, aber nicht bis 100%, 70% bis 80% anziehen reicht aus. Schließlich, nachdem alle Schrauben installiert sind, ziehen Sie alle Schrauben auf 100%. Wenn Sie auf diese Probleme stoßen, wie z. B. Fehlausrichtung der Löcher oder Unfähigkeit, bestimmte Teile zu installieren, überprüfen Sie bitte, ob die Schrauben korrekt

verwendet werden und passen Sie die Dichtigkeit der Schrauben an.

Before installation, insert the screws into the holes and tighten them, but do not tighten them to 100%, 70% to 80% is sufficient. Finally, after all screws are installed, tighten all screws to 100%. If you encounter these issues, such as if the holes cannot be aligned or some parts cannot be installed, please check if the screws are used correctly and adjust the tightness of the screws.

Insérer la vis dans le trou avant la fin de l'assemblage, serrer la vis, mais ne pas serrer à 100%, 70% ~ 80% est correct. Enfin, une fois que toutes les vis sont bien serrées, toutes les vis sont serrées à 100%. Si vous rencontrez ces problèmes, par exemple si les trous ne sont pas alignés ou si certaines pièces ne peuvent pas être montées, vérifiez que les vis sont utilisées correctement et Ajustez leur serrage.

02

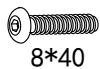
03

T

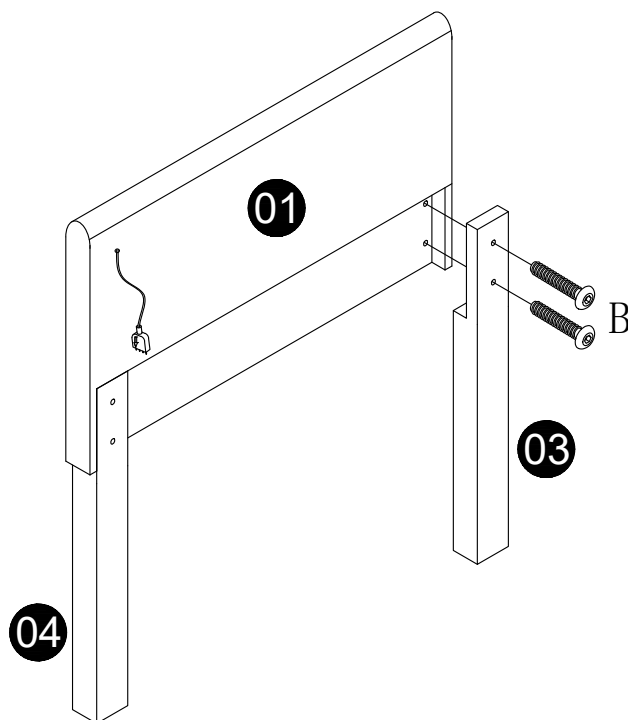


1

B



4



04

T



1

K



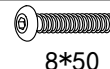
2

A

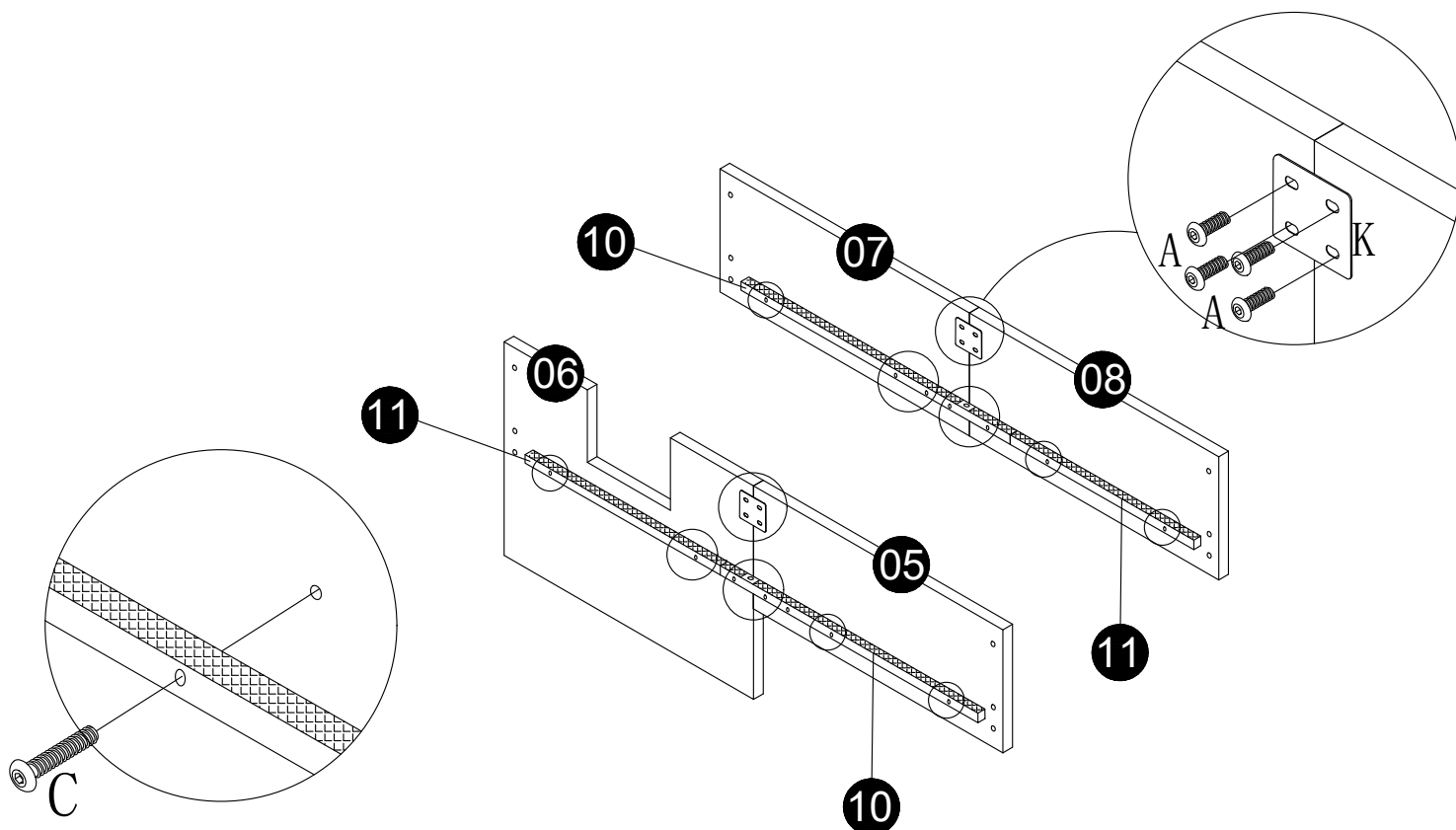


8

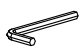



C

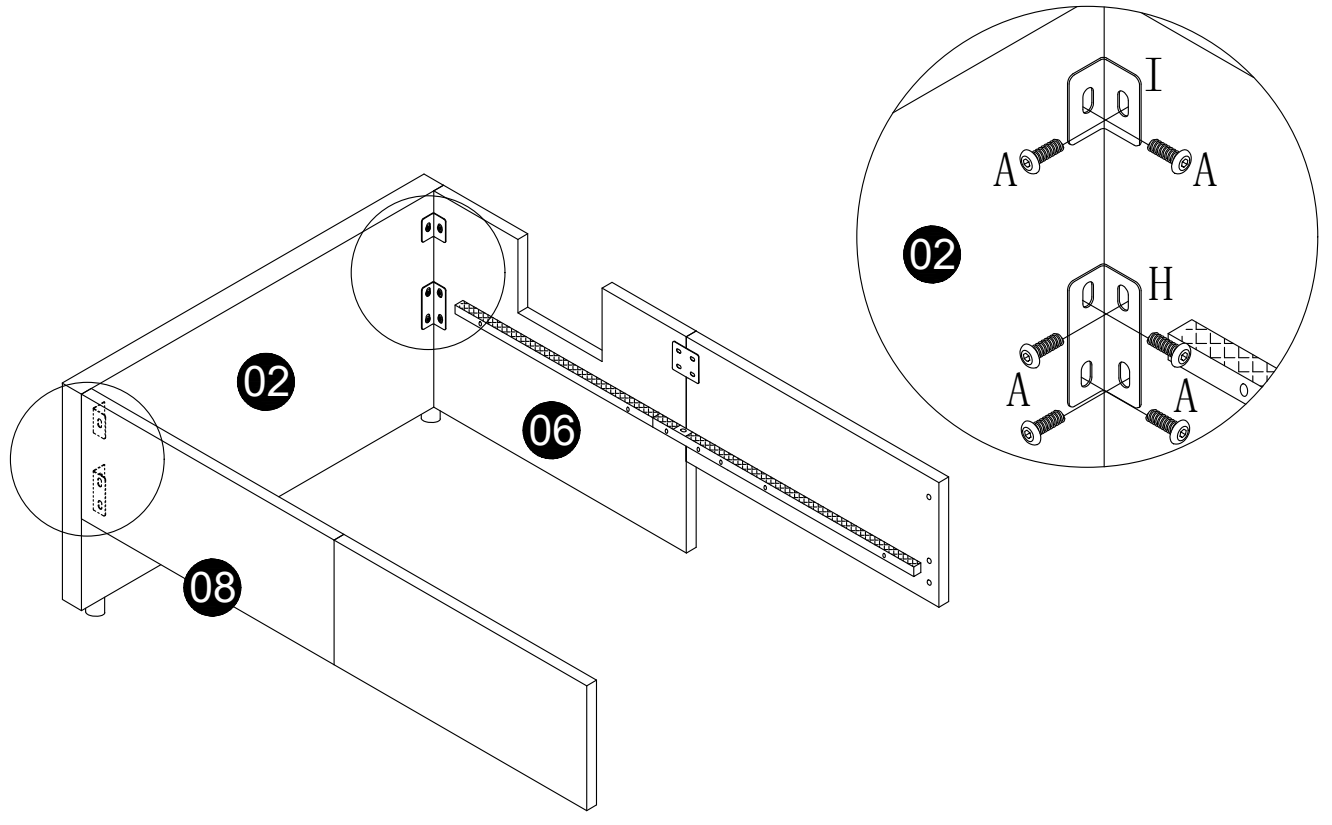


14








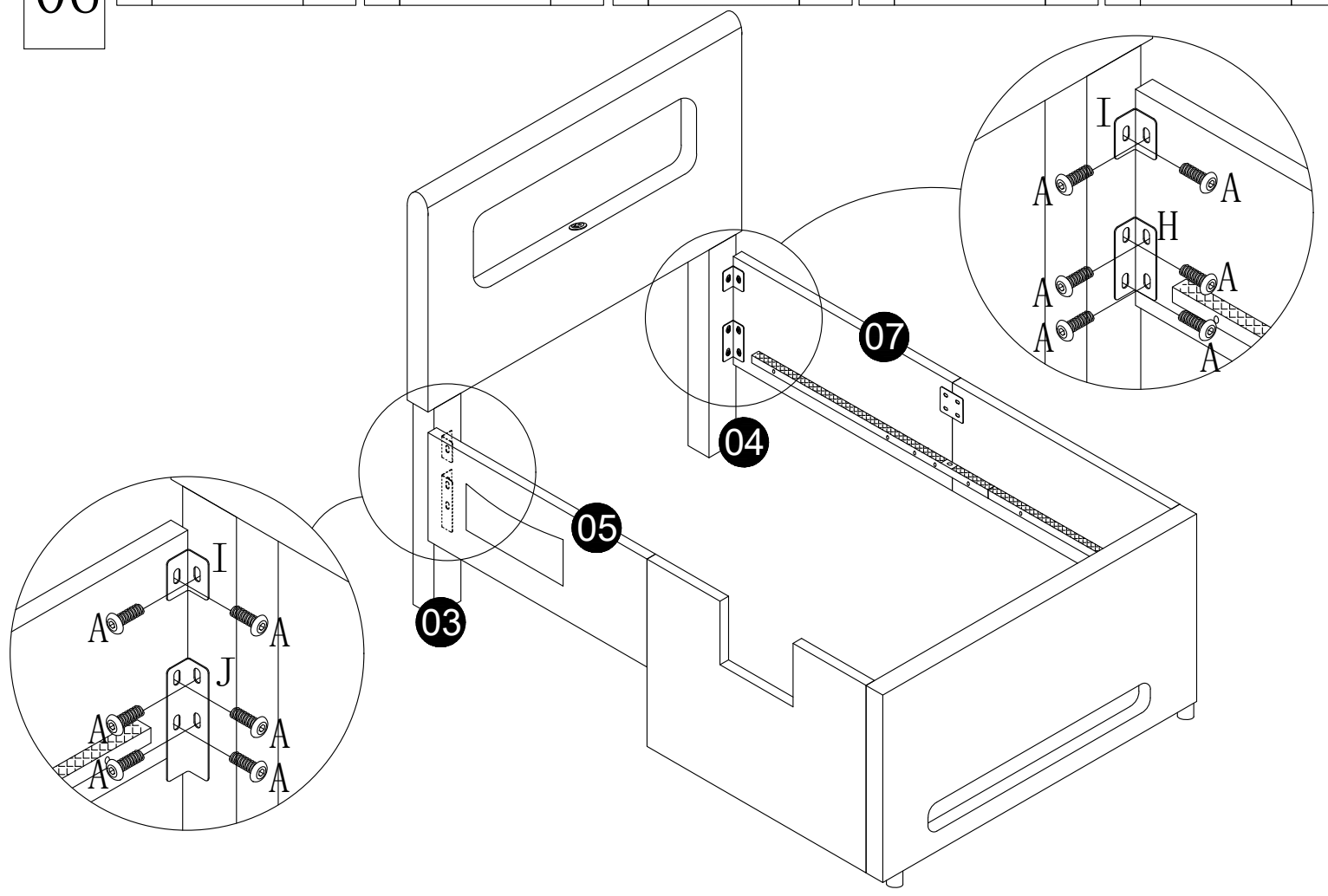
05

T		1	A		8*20	12	H		2	I		2
---	---	---	---	---	------	----	---	---	---	---	---	---

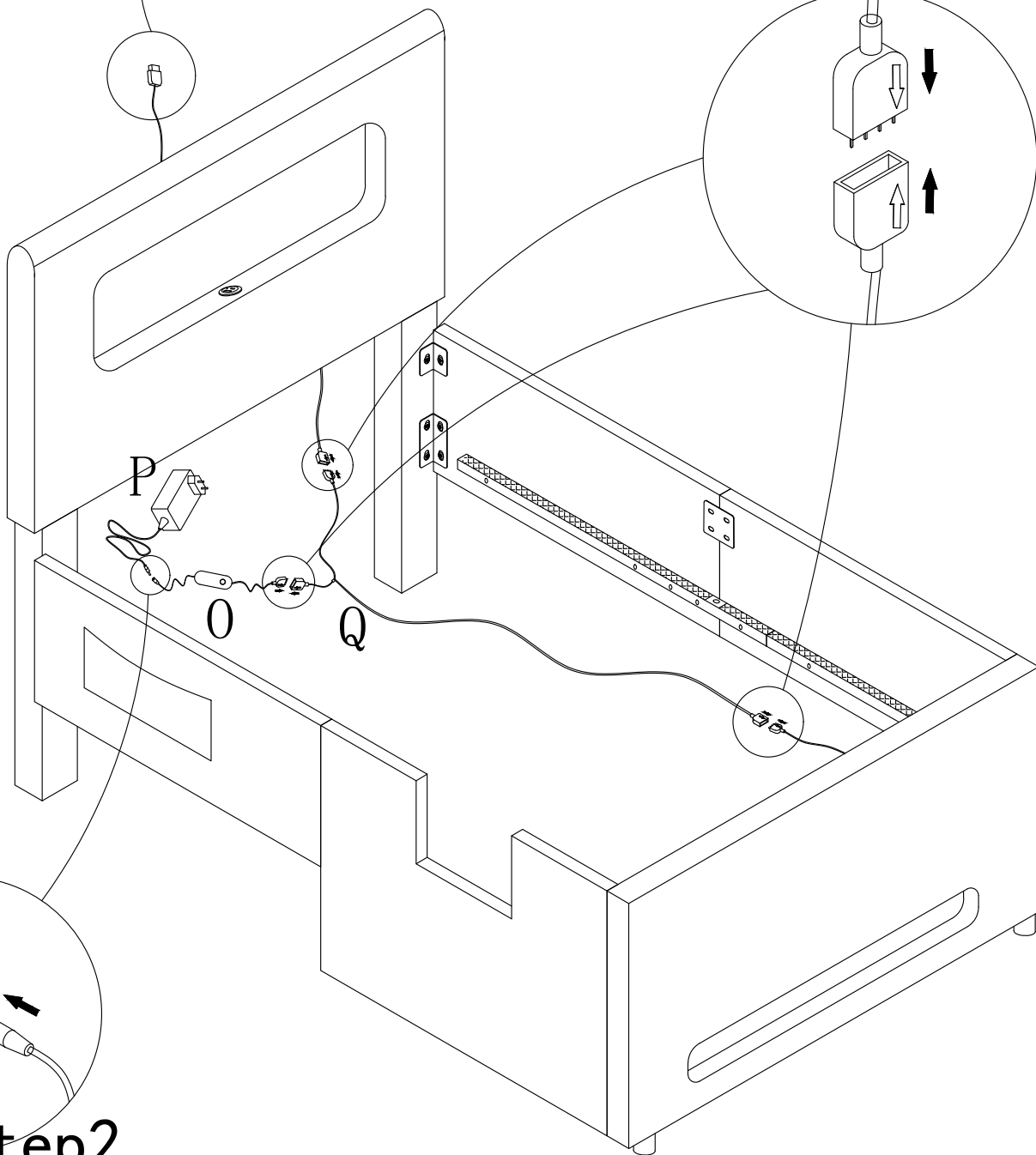
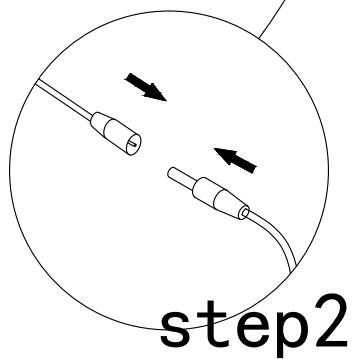
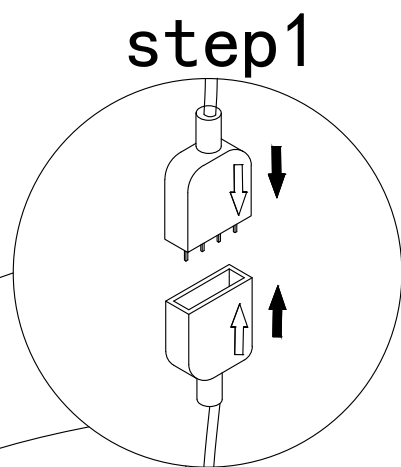
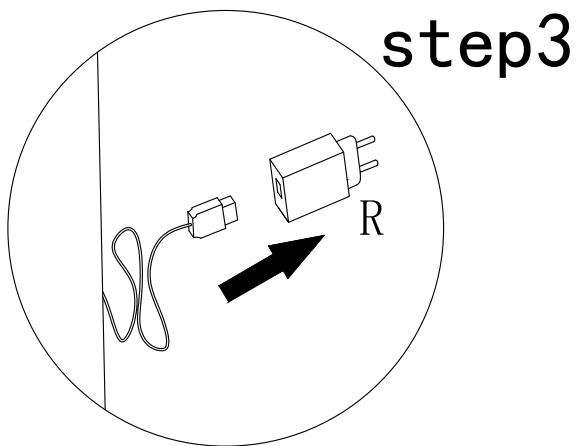
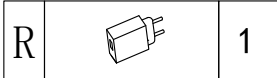
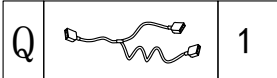
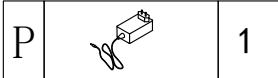


06

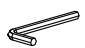
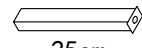

T		1	A		8*20	12	J		1	H		1	I		2
---	---	---	---	---	------	----	---	---	---	---	---	---	---	---	---

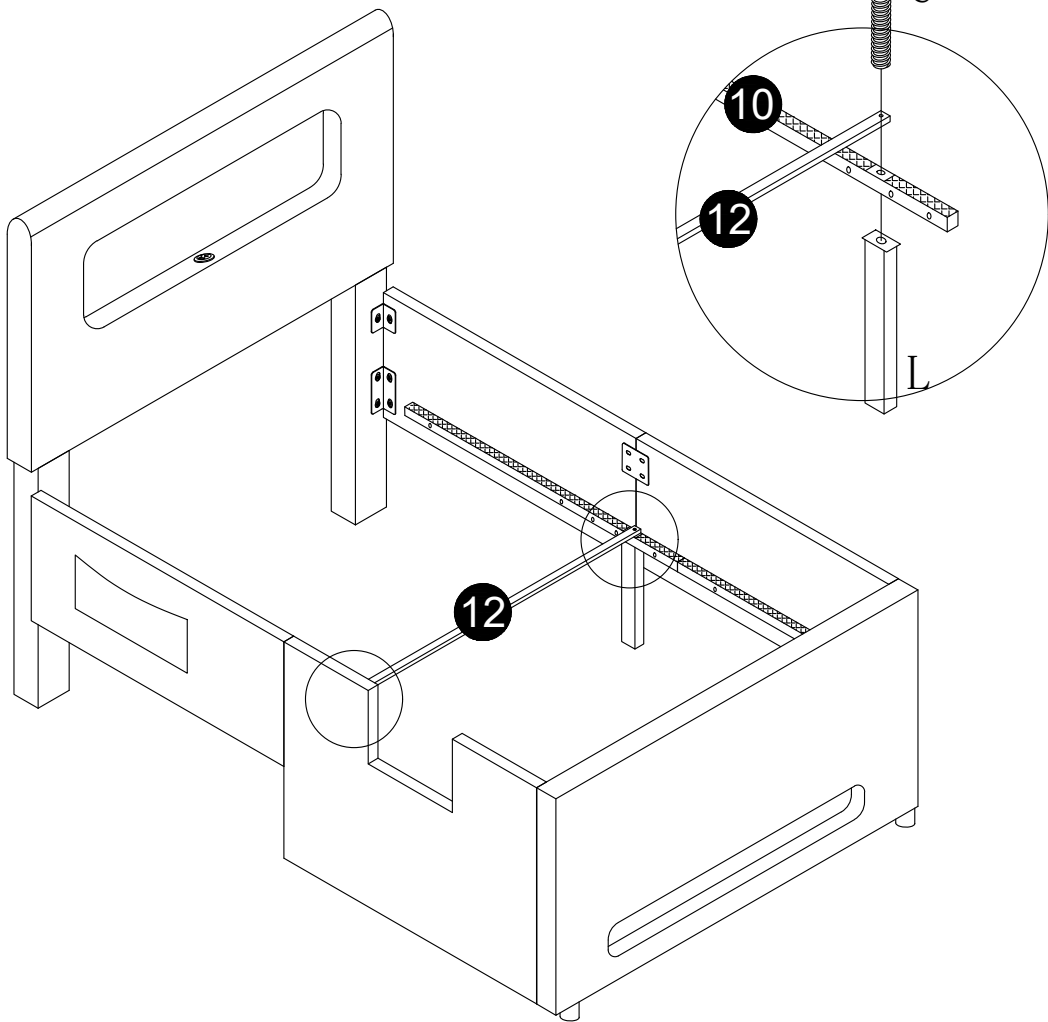


07

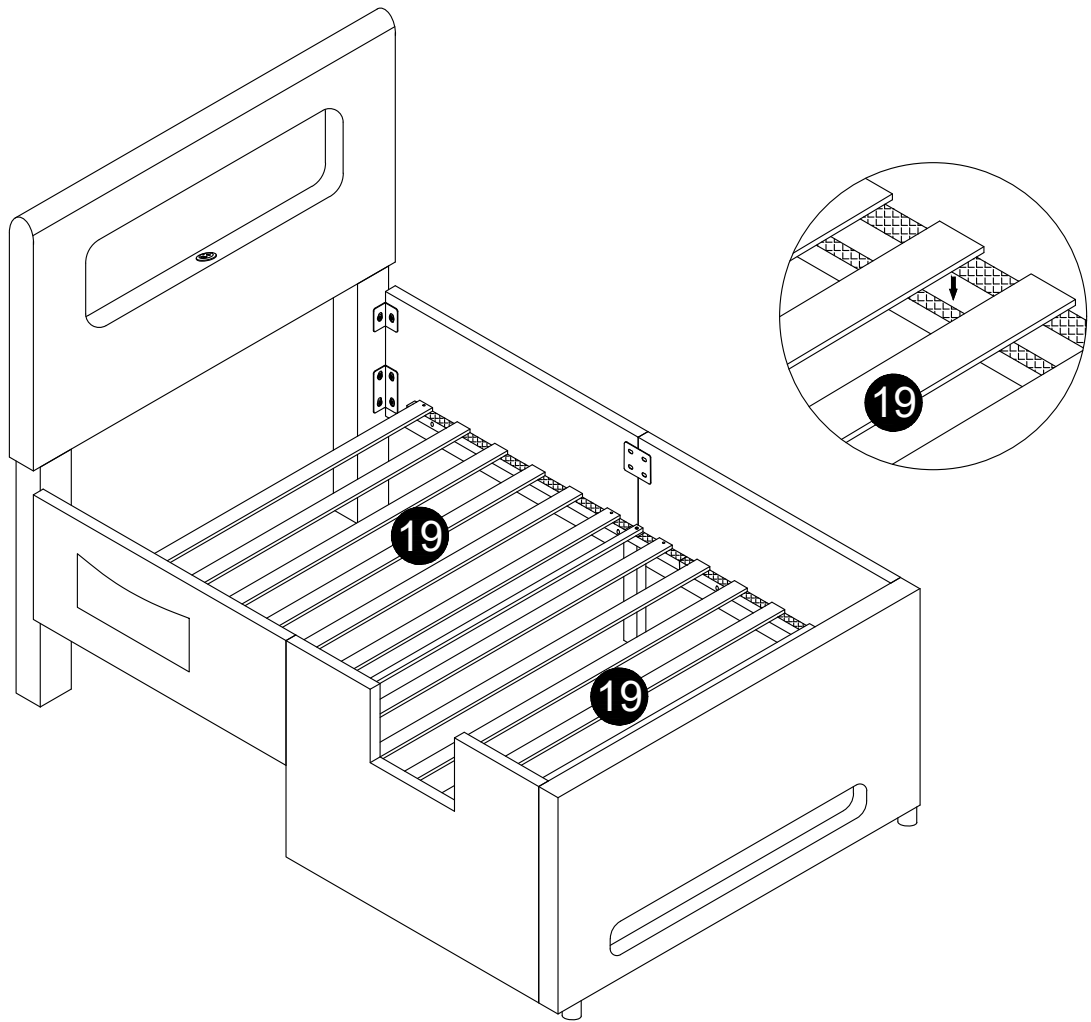




08

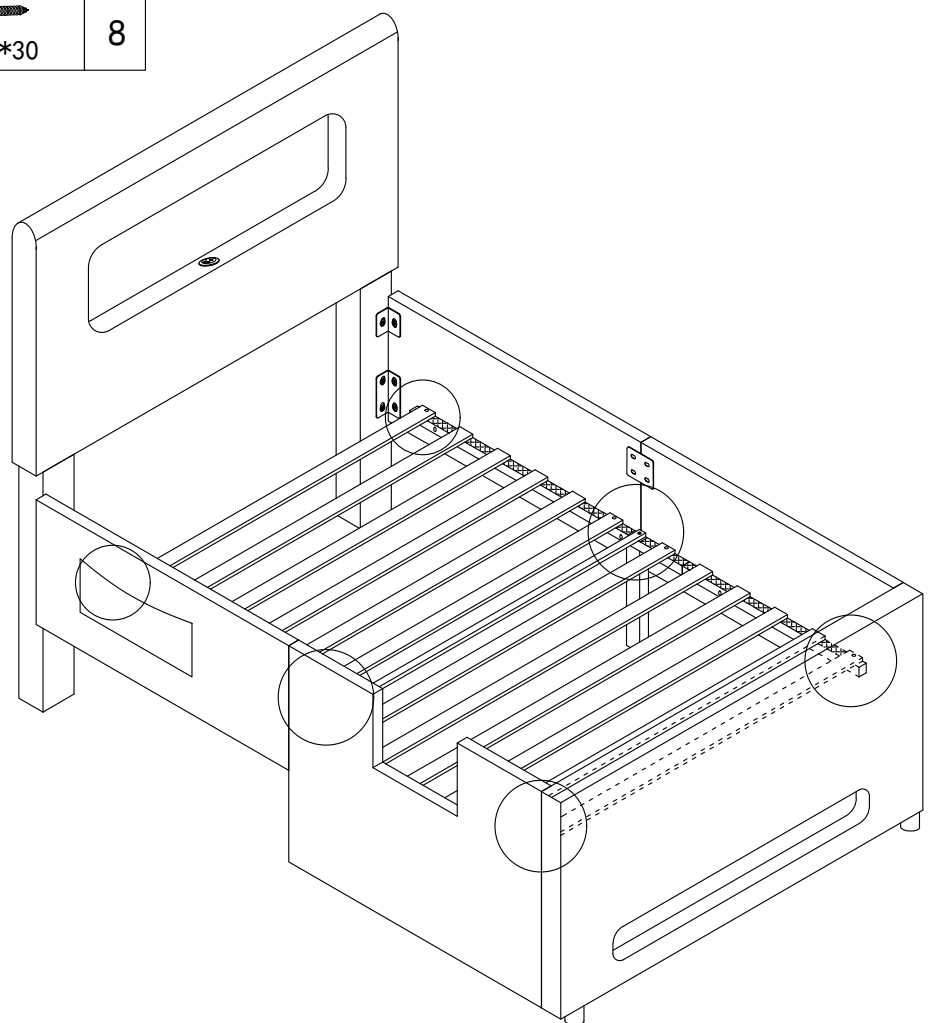
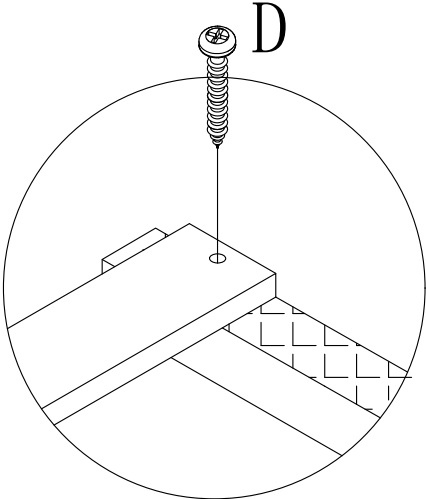
T		1	L		25cm	2	C		8*50	2
---	---	---	---	---	------	---	---	---	------	---





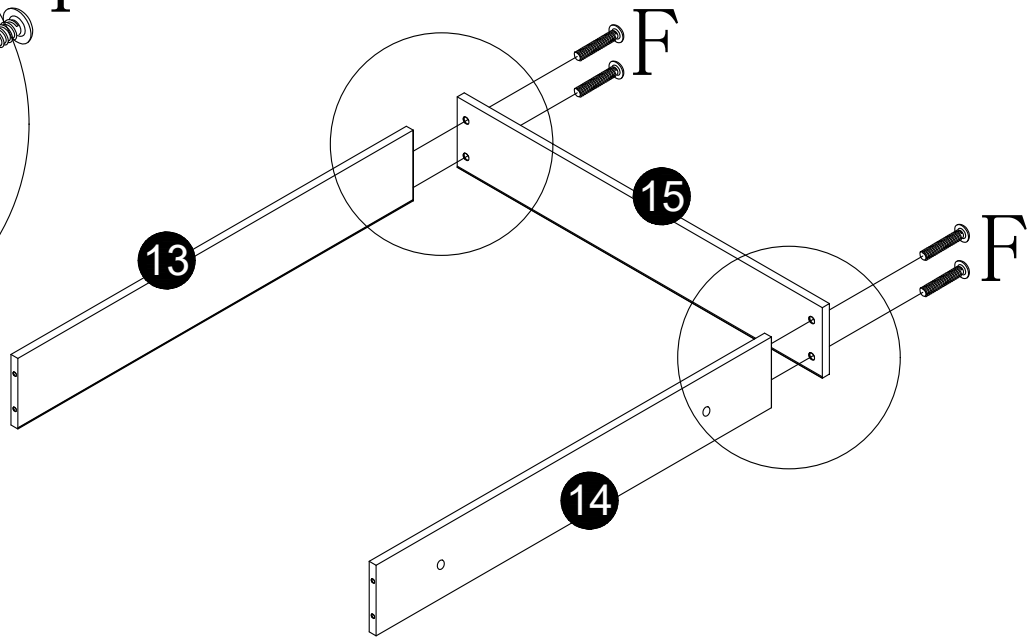
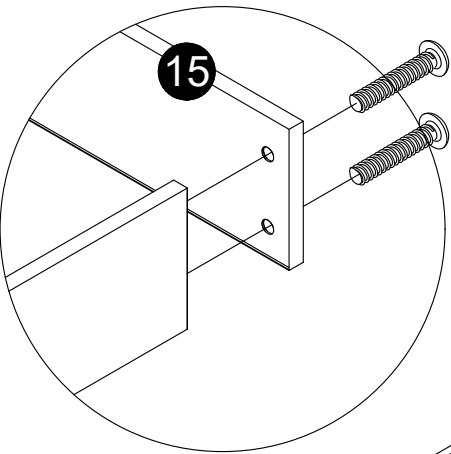
09



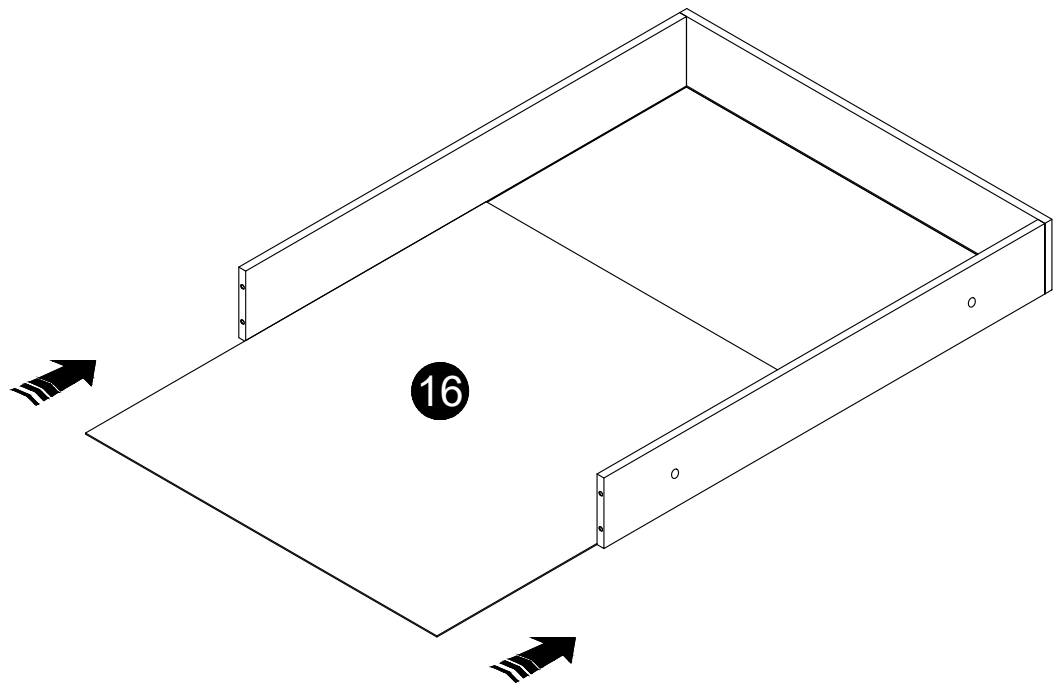
10	S		1	D		3.5*30	8
----	---	---	---	---	---	--------	---



11	S		1	F		4*25	4
----	---	---	---	---	---	------	---

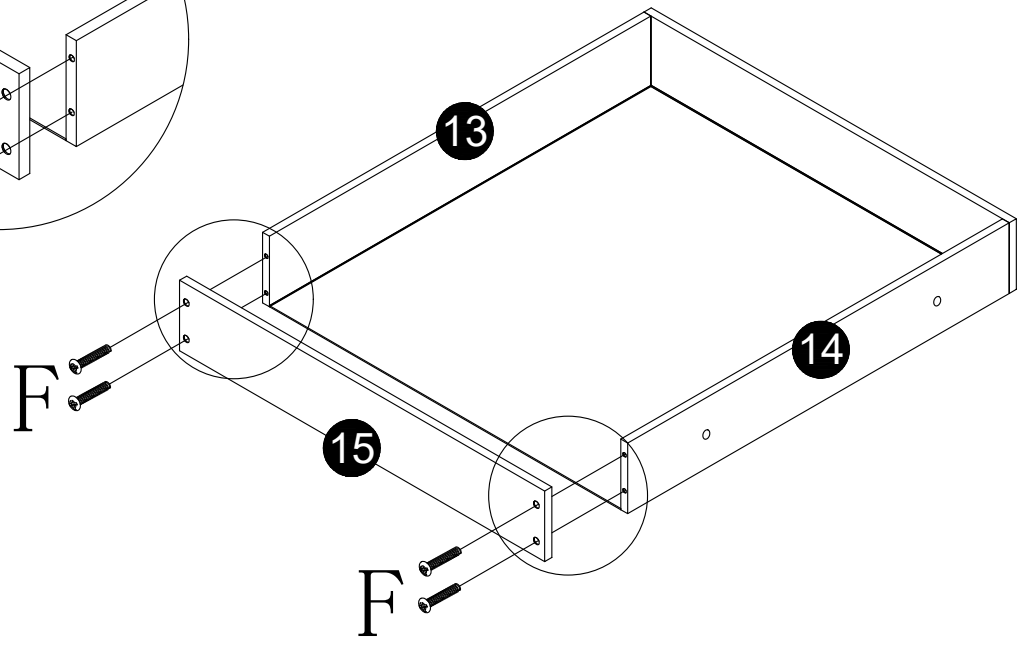
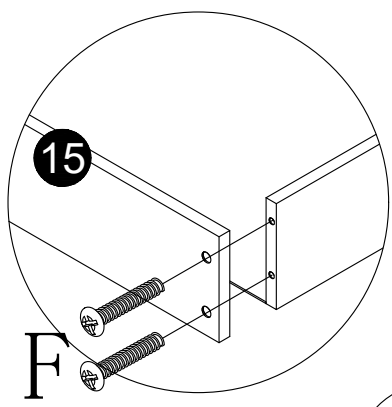


12






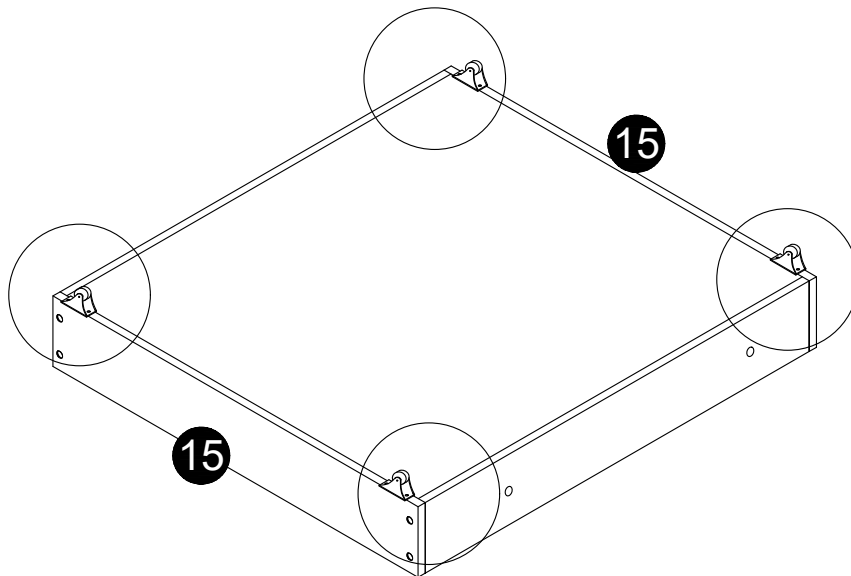
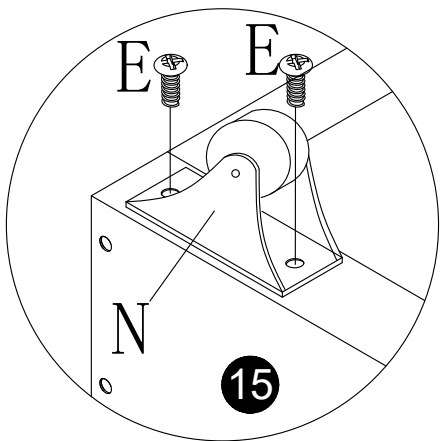
13

S		1	F		4*25	4
---	---	---	---	---	------	---


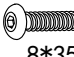


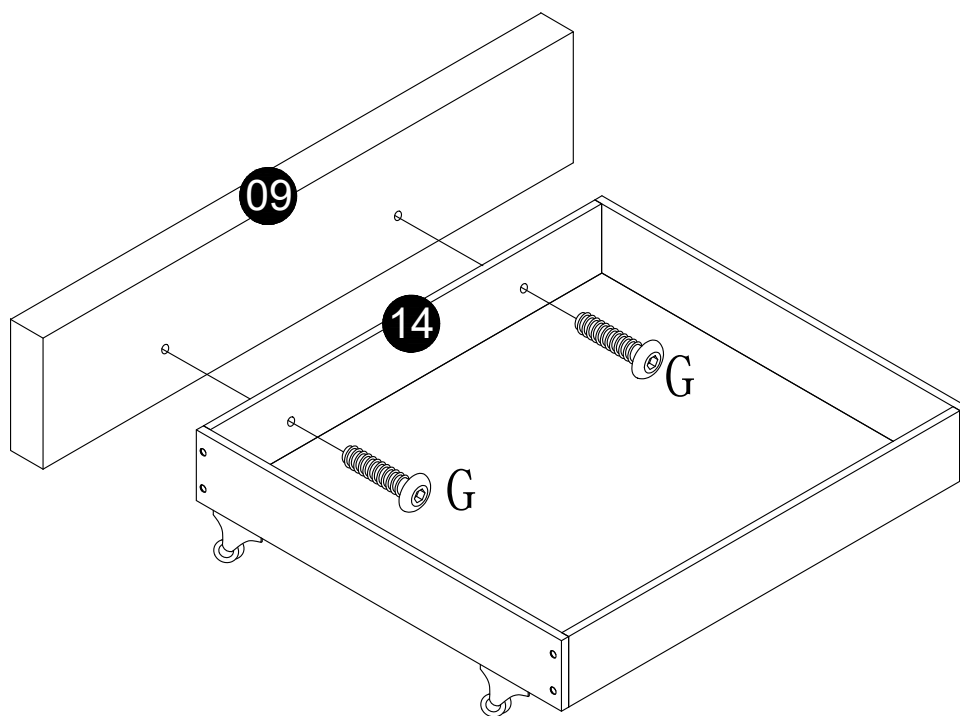
14

S		1	N		4	E		8
				1.0			4*14	



15

T		1	G		2
				8*35	



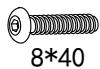
16

T



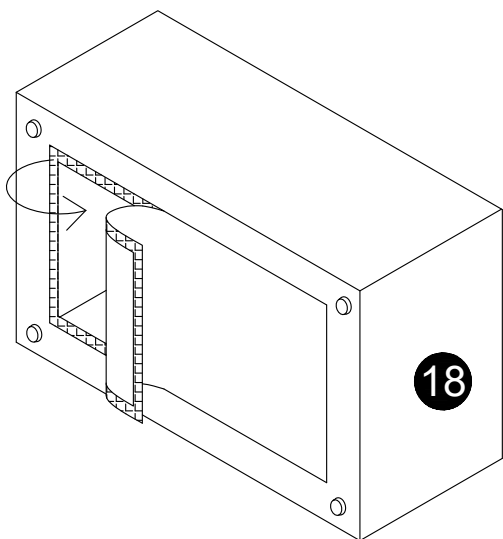
1

B

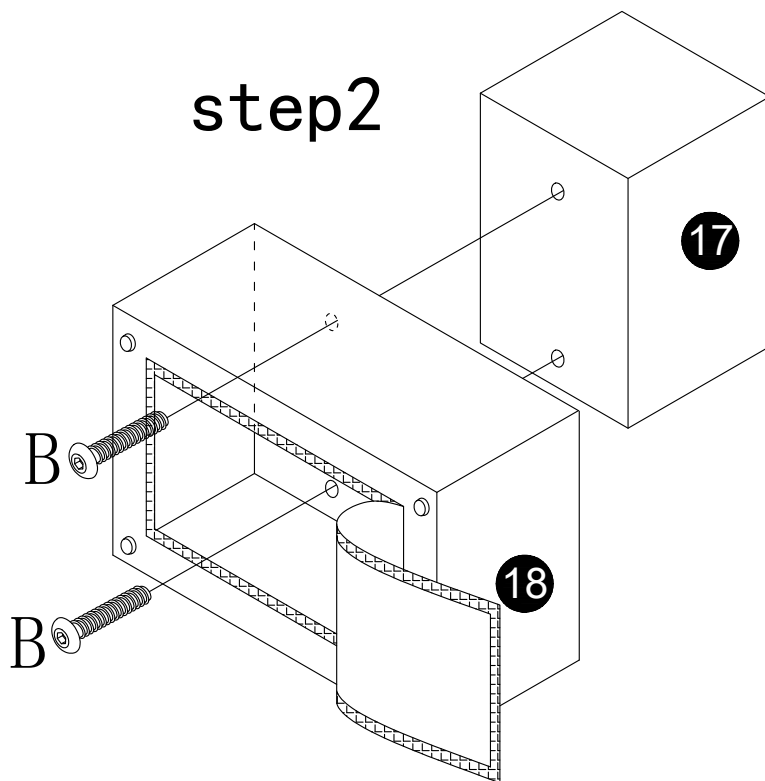


2

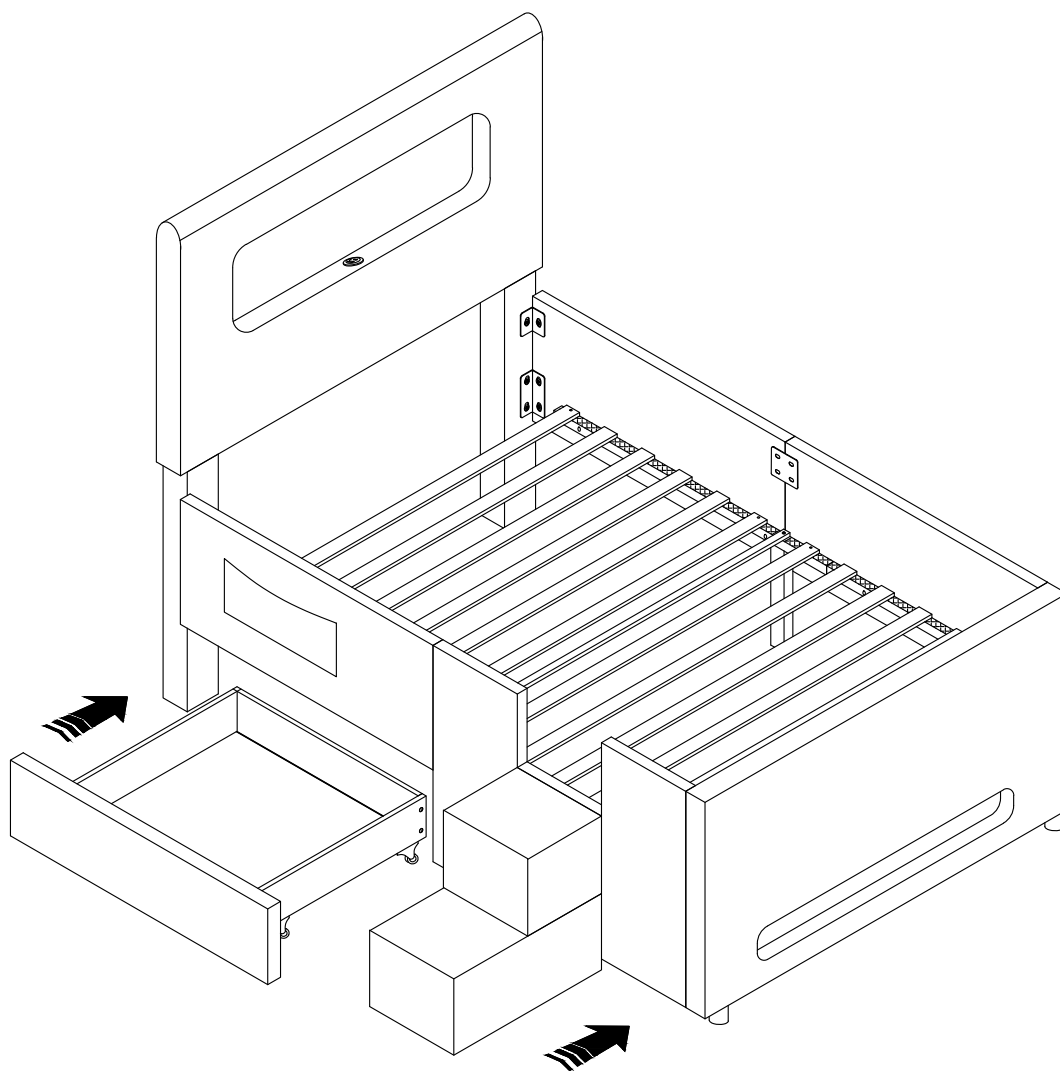
step1



step2



17





Declaration of Conformity

Certificate No. : AOCE240301111-EC
Applicant : Zhongshan Quanluo Lighting Co., Ltd.
Address : 5th Floor, Building 2, No. 3, Yongyi 6th Road, Yongxing Industrial Zone,
Henglan Town, Zhongshan City, Guangdong Province
Product : LED Light Strip
Trademark : /
Model(s) : KB72RGB-S5050-12V, KB120RGB-S5050-12V, KB60RGB-S5050-12V,
KB30RGB-S5050-12V, KB72RGB-S5050-24V, KB120RGB-S5050-24V,
KB60RGB-S5050RGB-24V, KB30RGB-S5050-24V, KB120S2835-12V,
KB60S2835-12V, KB180S2835-12V, KB240S2835-12V, KB120S2835-24V,
KB60S2835-24V, KB180S2835-24V, KB240S2835-24V, KB180HCSS-12V,
KB240HCSS-12V, KB180HCSS-24V, KB240HCSS-24V, KB384COB-12V,
KB480COB-12V, KB480COB-24V, KB180COB-12V, KB196COB-12V,
KB320COB-12V, KB400COB-12V, KB320COB-24V, KB240COB-24V,
KB312COB-24V, KB360COB-24V, KB480COB-24V, KB400COB-24V,
KB512COB-24V
Manufacturer : Zhongshan Quanluo Lighting Co., Ltd.
Address : 5th Floor, Building 2, No. 3, Yongyi 6th Road, Yongxing Industrial Zone,
Henglan Town, Zhongshan City, Guangdong Province
Test Report : AOCE240301111-E

Complies with the requirements of the
EC EMC directive 2014/30/EU with amendments.

Test Standards:

EN IEC 55015:2019+A11:2020
EN 61547: 2009
EN IEC 61000-3-2:2019+A1:2021
EN 61000-3-3: 2013+A1:2019+A2:2021

Remarks:

The **CE** markings as shown below can be affixed on the product after preparation of necessary conformity documentation, as stipulated in article 10 of the Council Directive **93/68/EEC**.



Zhongshan AOCE Testing Technology Co., Ltd.

Disika, 1/F., No.42, Chang'an South Road, Henglan, Zhongshan, Guangdong, China.

Te: +86-0760-87553128 Web: www.aoce-lab.com Email: guanlilin@aoce-lab.com



Product Service

Attestation of Conformity

No. N8A 120613 0002 Rev. 00

Holder of Attestation: DONGGUAN BAIYOU ELECTRONIC CO.,LTD2F A Building Wufeng Industrial, Jintan Road, Shijie Town
523290 Dongguan City
PEOPLE'S REPUBLIC OF CHINA**Product: Multiple Socket Outlets**

This Attestation of Conformity is issued on a voluntary basis according to the Low Voltage Directive 2014/35/EU relating to electrical equipment designed for use within certain voltage limits. It confirms that the listed equipment complies with the principal protection requirements of the directive and is based on the technical specifications applicable at the time of issuance. It refers only to the particular sample submitted for conformity assessment. For details see: www.tuvsud.com/ps-cert

Test report no.: 874102337701-00

Date, 2023-09-06

(Jie Zhu)

Page 1 of 3

This Attestation does not replace the regulatory EU Declaration of Conformity (DoC) and does not allow for CE marking. After preparation of the necessary documentation and establishing compliance to requirements of all applicable directives, the manufacturer may sign a DoC and apply the CE marking. The DoC is issued under the sole responsibility of the manufacturer.





Product Service

Attestation of Conformity

No. N8A 120613 0002 Rev. 00

Model(s): BY213-G011Y, BY213-G011Y-C,
BY213-G021Y, BY213-G021Y-C,
BY213-G031Y, BY213-G031Y-C,
BY213-G041Y, BY213-G041Y-C

Parameters:

Rated voltage: 250V~
 Rated frequency: 50Hz
 Rated current: 16A
 Protection class: I
 Degree of protection: IP20
 Type of cable: H05VV-F 3G1.0mm² or H05VV-F 3G1.5mm²
 Remark: For BY213-G011Y, BY213-G021Y,
 BY213-G031Y, BY213-G041Y:
 USB rated output voltage:5.0VDC
 USB rated output current:
 Single Type A: 2.1A max
 Type A + Type A: 2.1A max

For BY213-G011Y-C, BY213-G021Y-C,
 BY213-G031Y-C, BY213-G041Y-C:
 USB rated output voltage:5.0VDC
 USB rated output current:
 Single Type A: 3.0A max
 Single Type C: 3.0A max
 Type A + Type C: 3.1A max
 USB rated output voltage:9.0VDC
 USB rated output current:
 Single Type A: 2.0A max
 Single Type C: 2.22A max
 USB rated output voltage:12.0VDC
 USB rated output current:
 Single Type A:1.5A max
 Single Type C: 1.67A max

Page 2 of 3

This Attestation does not replace the regulatory EU Declaration of Conformity (DoC) and does not allow for CE marking. After preparation of the necessary documentation and establishing compliance to requirements of all applicable directives, the manufacturer may sign a DoC and apply the CE marking. The DoC is issued under the sole responsibility of the manufacturer.





Product Service

Attestation of Conformity

No. N8A 120613 0002 Rev. 00

Model	Number of socket-outlets	With two USB ports, type A +type A	With two USB ports, type A+type C
BY2 13-G011Y	1	Yes	No
BY2 13-G011Y-C	1	No	Yes
BY2 13-G021Y	2	Yes	No
BY2 13-G021Y-C	2	No	Yes
BY2 13-G031Y	3	Yes	No
BY2 13-G031Y-C	3	No	Yes
BY2 13-G041Y	4	Yes	No
BY2 13-G041Y-C	4	No	Yes

Tested according to:

IEC 60884-1:2002
 IEC 60884-1:2002/AMD1:2006
 IEC 60884-1:2002/AMD2:2013
 IEC 60884-2-7:2011
 IEC 60884-2-7:2011/AMD1:2013
 SS 428 08 34:2013/T1:2018

Page 3 of 3

This Attestation does not replace the regulatory EU Declaration of Conformity (DoC) and does not allow for CE marking. After preparation of the necessary documentation and establishing compliance to requirements of all applicable directives, the manufacturer may sign a DoC and apply the CE marking. The DoC is issued under the sole responsibility of the manufacturer.

