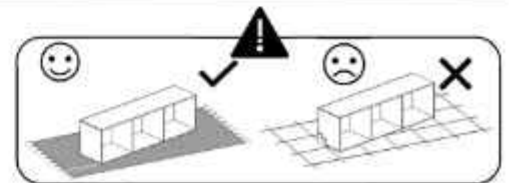
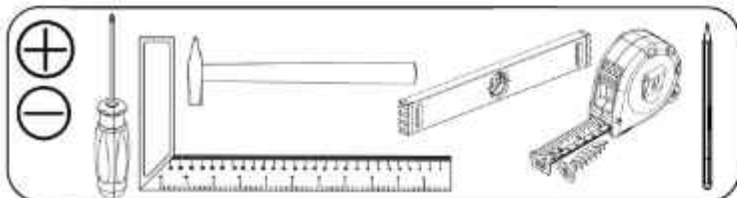
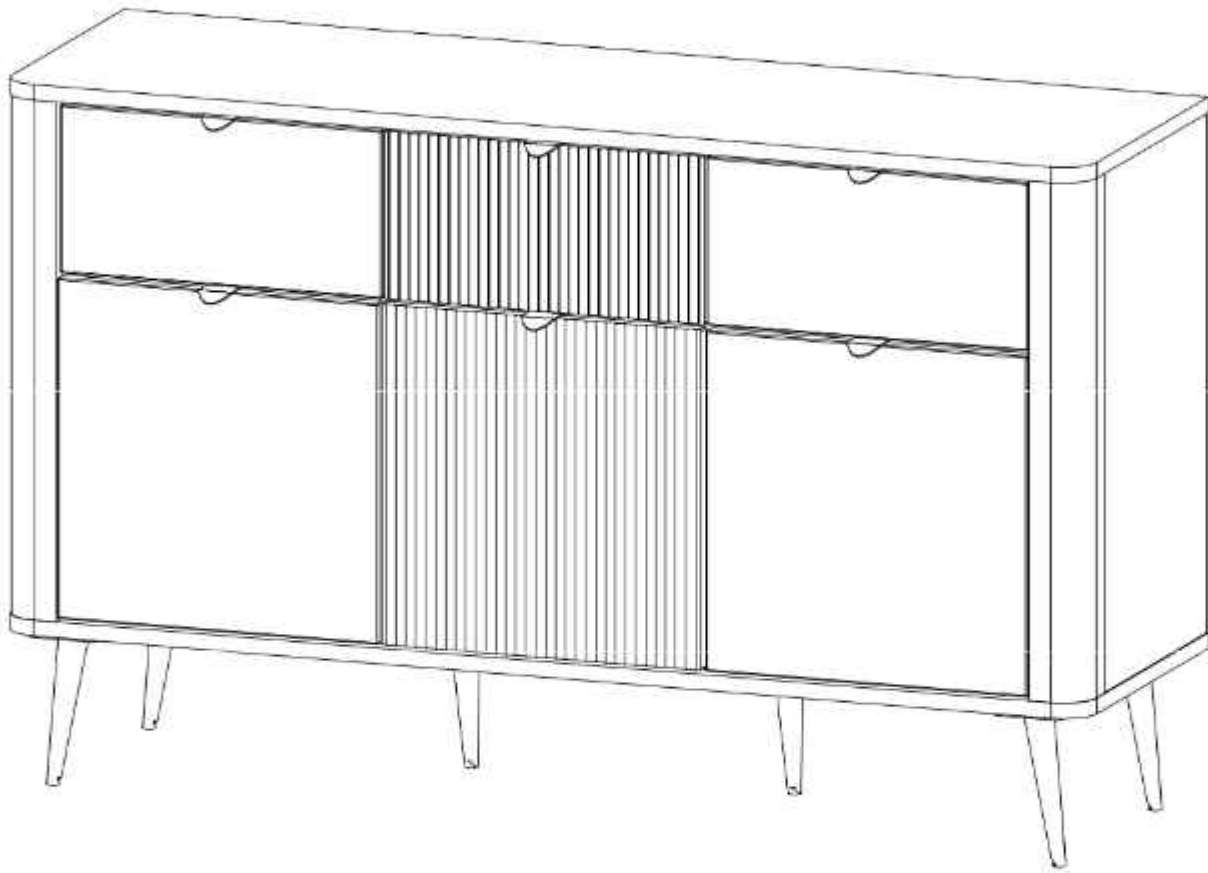
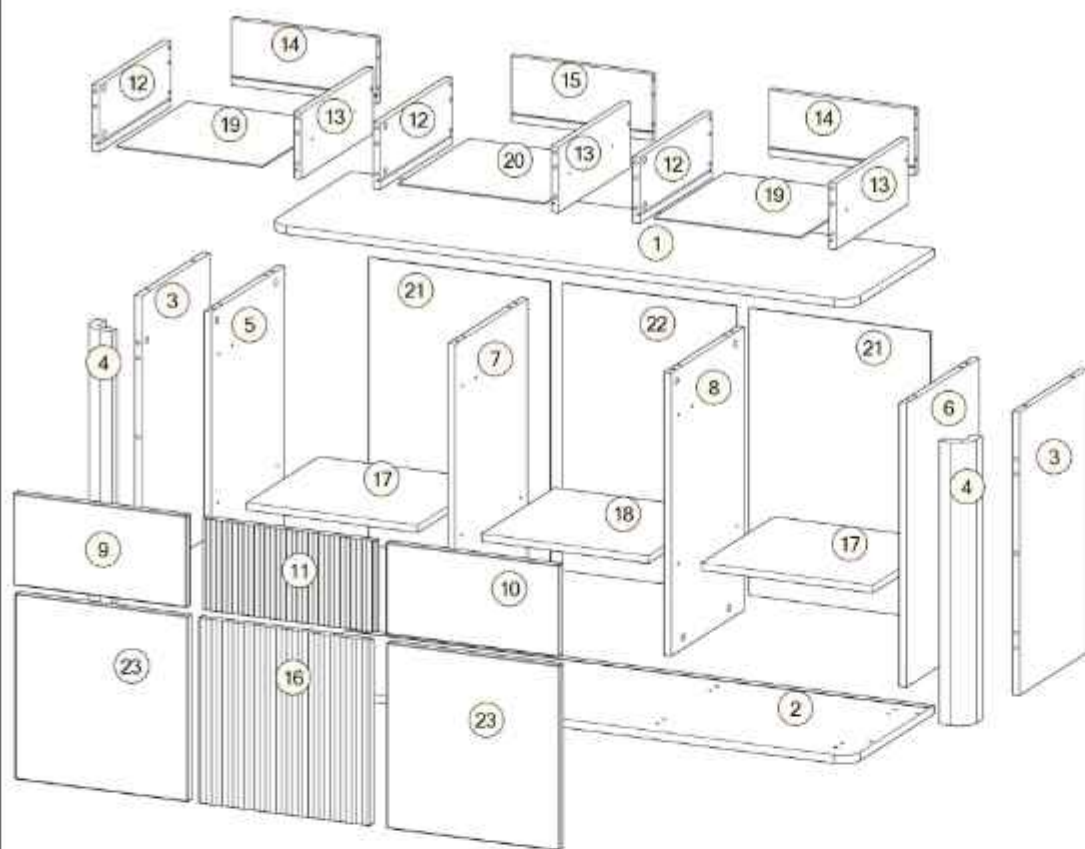


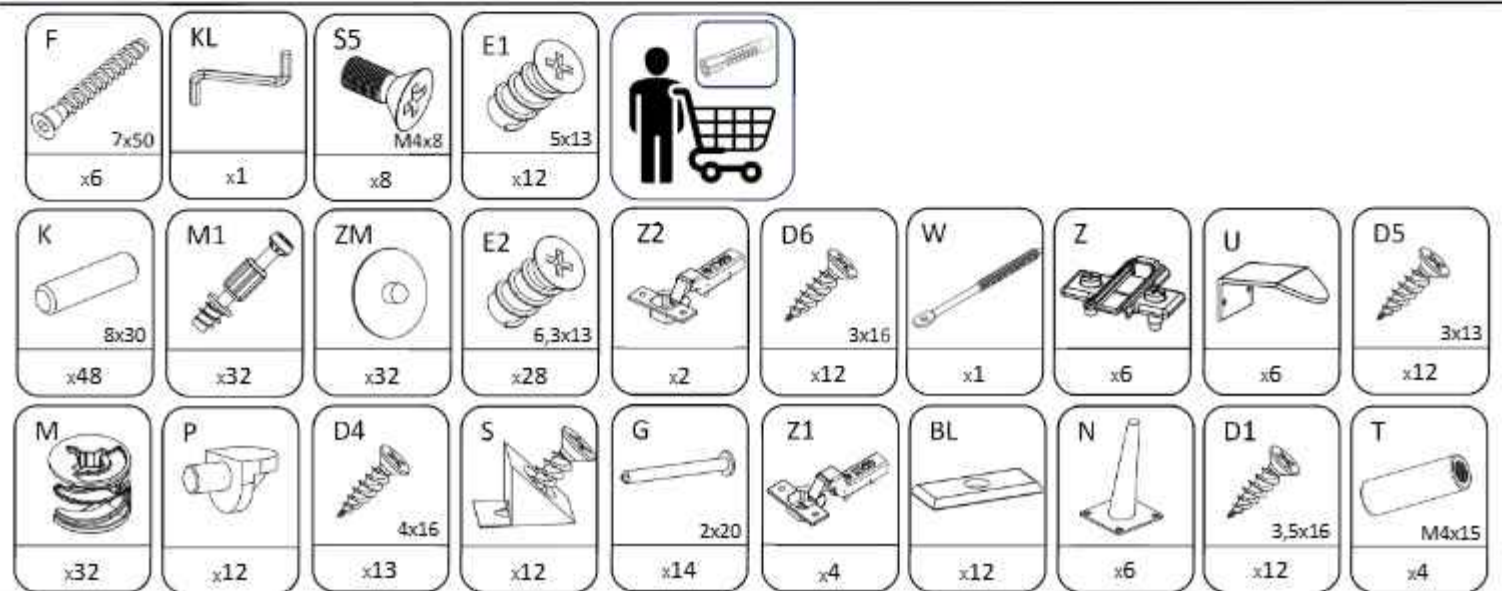
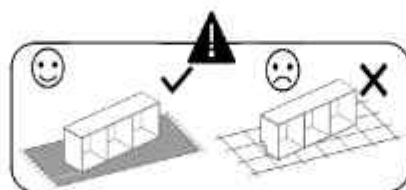
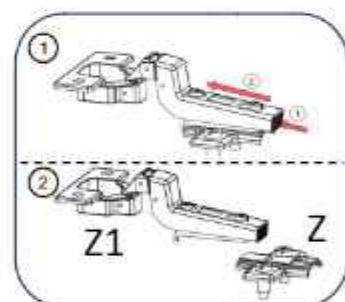
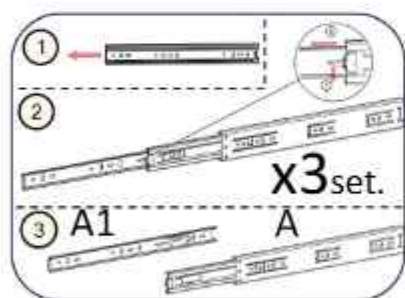
MARLY

R-10

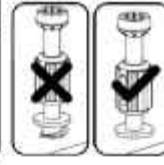
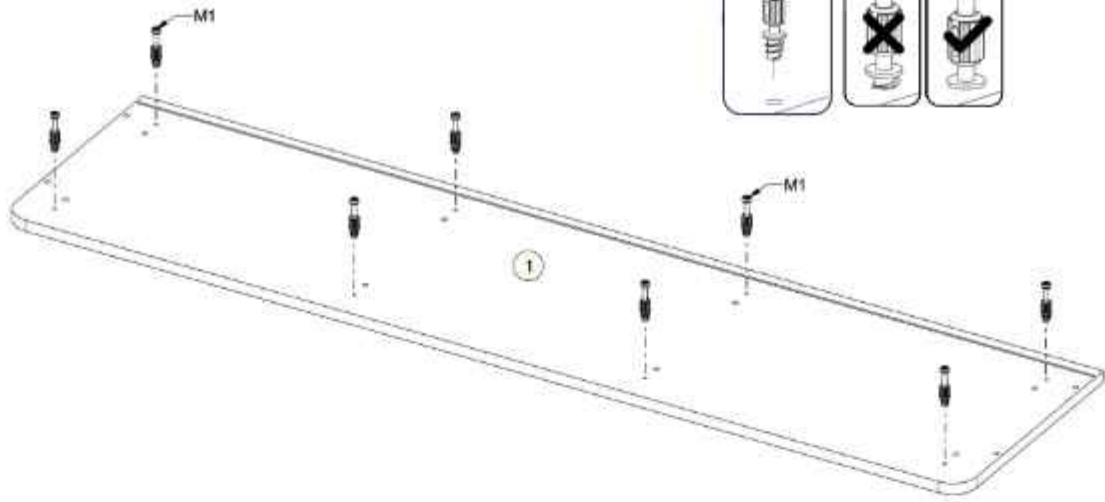




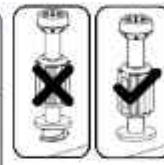
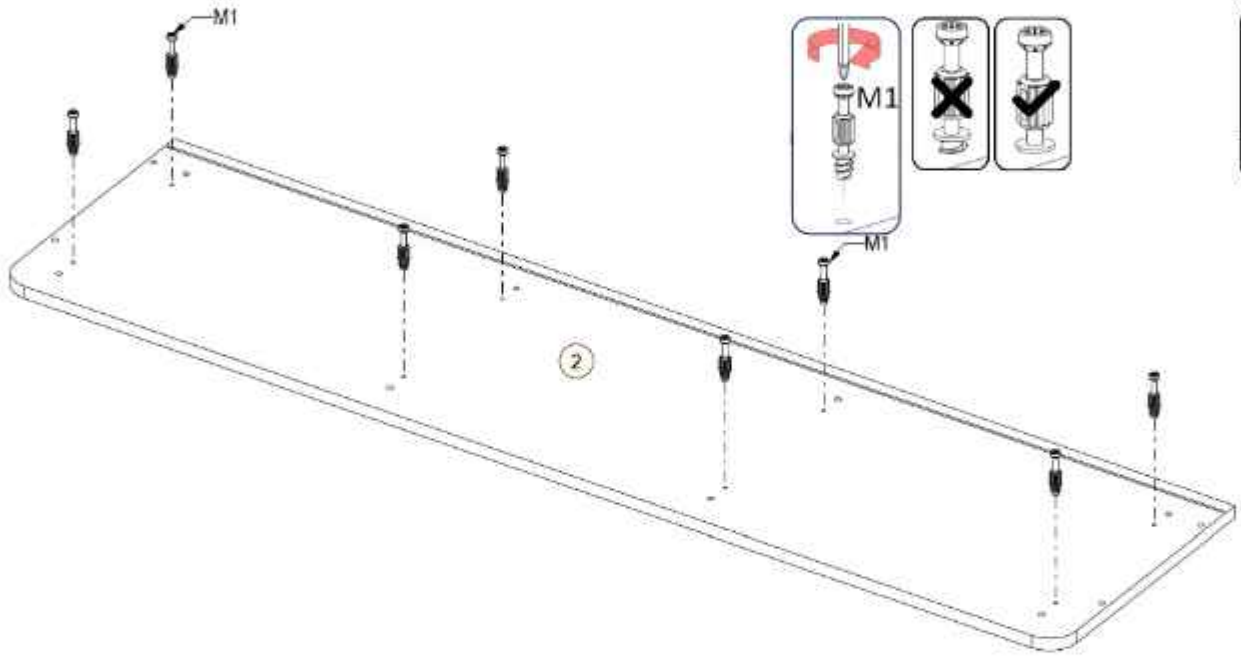
No	T(mm)	L(mm)	W(mm)	pcs.
1	18	1302	400	1
2	18	1302	400	1
3	16	600	333	2
4	66	600	66	2
5	16	600	355	1
6	16	600	355	1
7	16	600	355	1
8	16	600	355	1
9	18	194	386	1
10	18	194	384	1
11	18	194	384	1
12	16	350	140	3
13	16	350	140	3
14	16	324	140	2
15	16	314	140	1
16	18	393	384	1
17	16	381	355	2
18	16	371	355	1
19	3	337	346	2
20	3	327	346	3
21	3	609	405	2
22	3	609	387	1
23	18	393	386	2



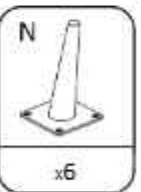
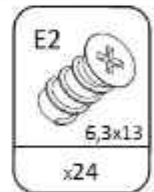
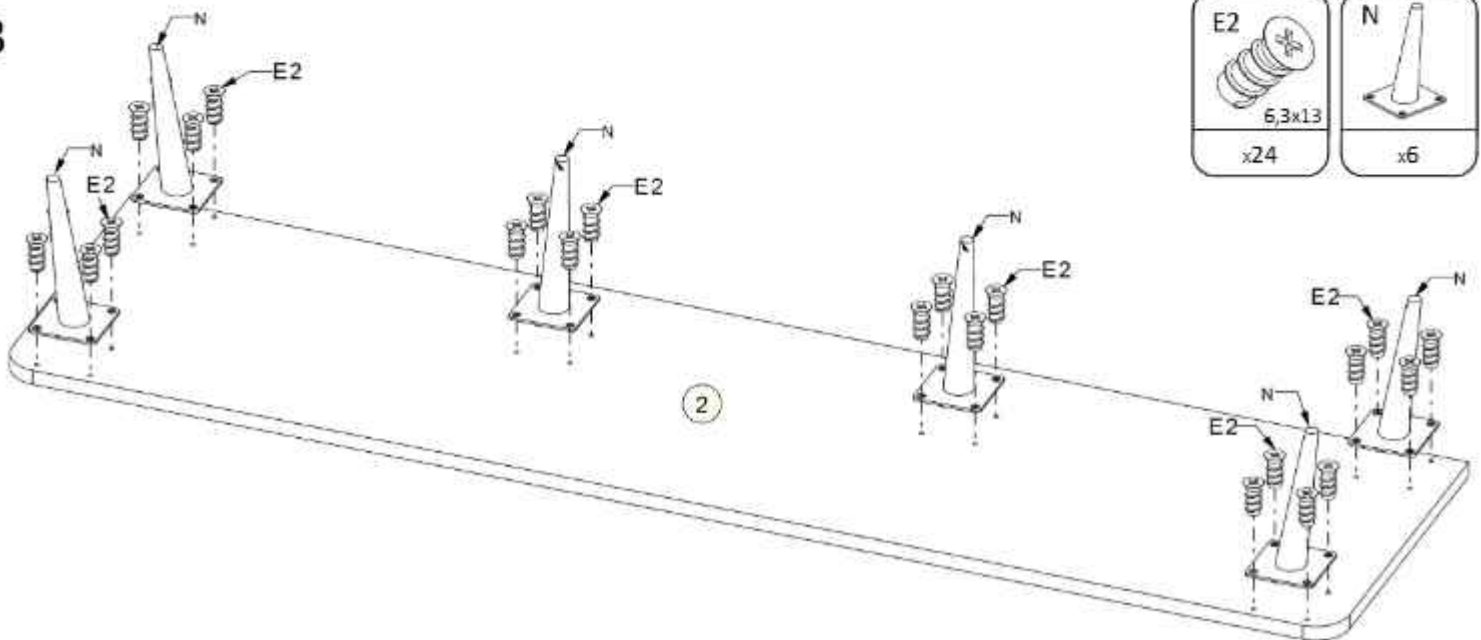
1



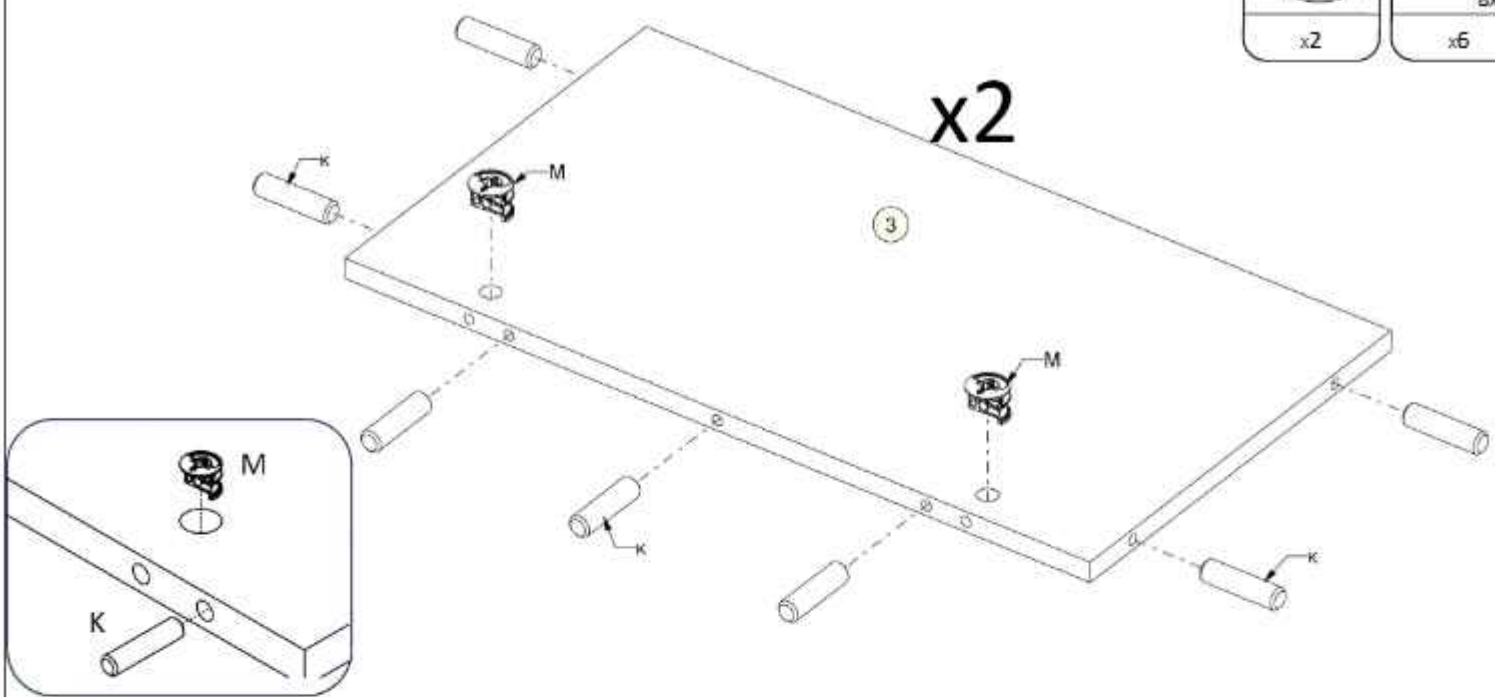
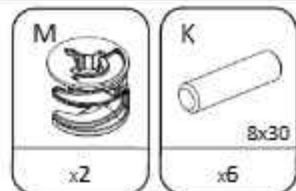
2



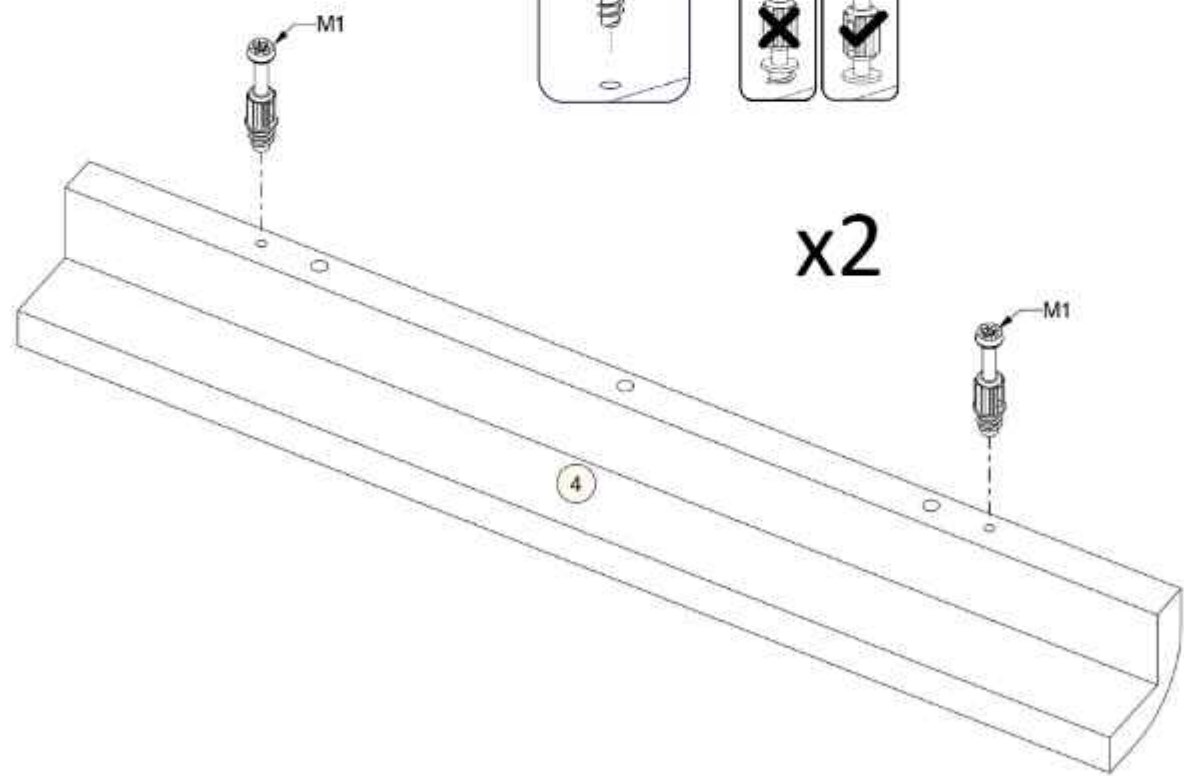
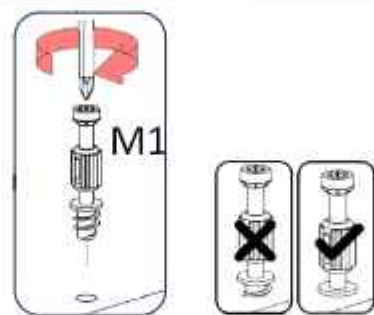
3







4





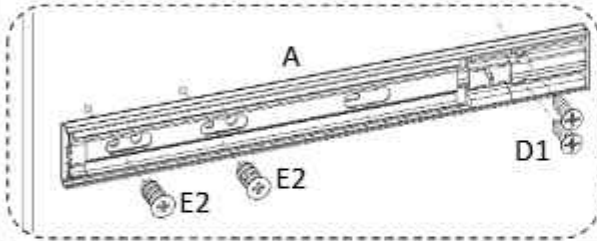
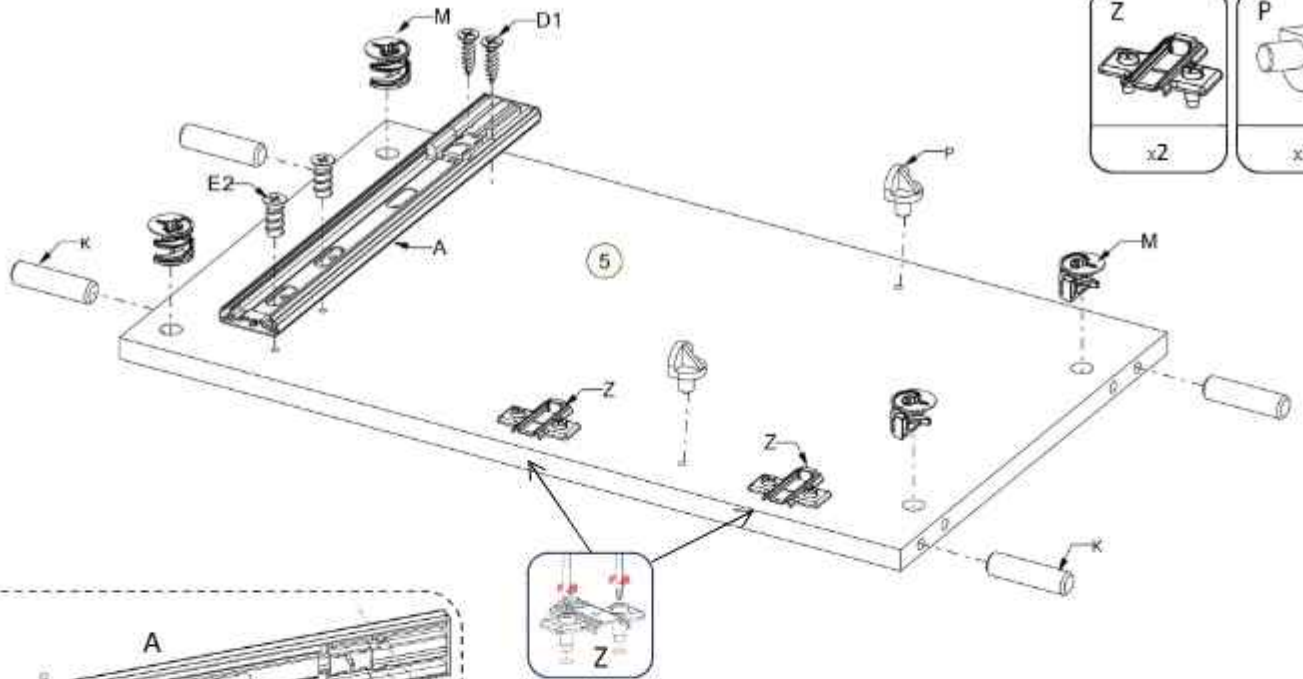
5









6

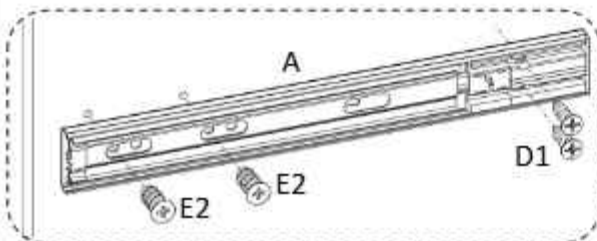
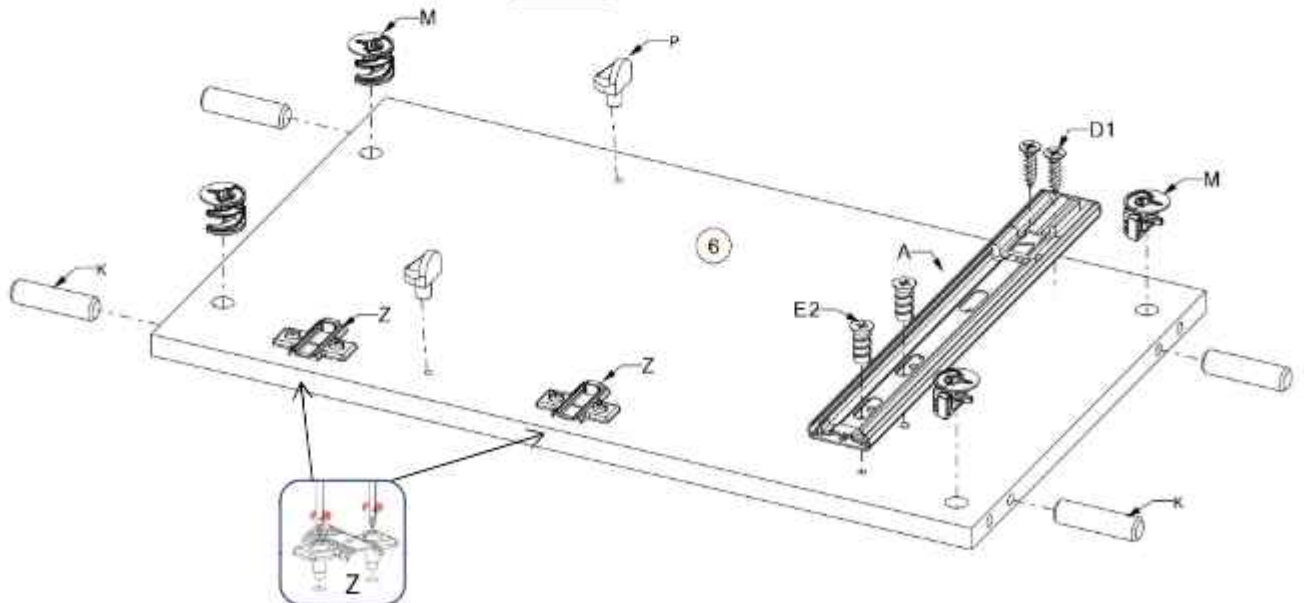
D1  3,5x16 x2	E2  6,3x13 x2	M  x4	K  8x30 x4
---	--	---	---

Z  x2	P  x2
--	--









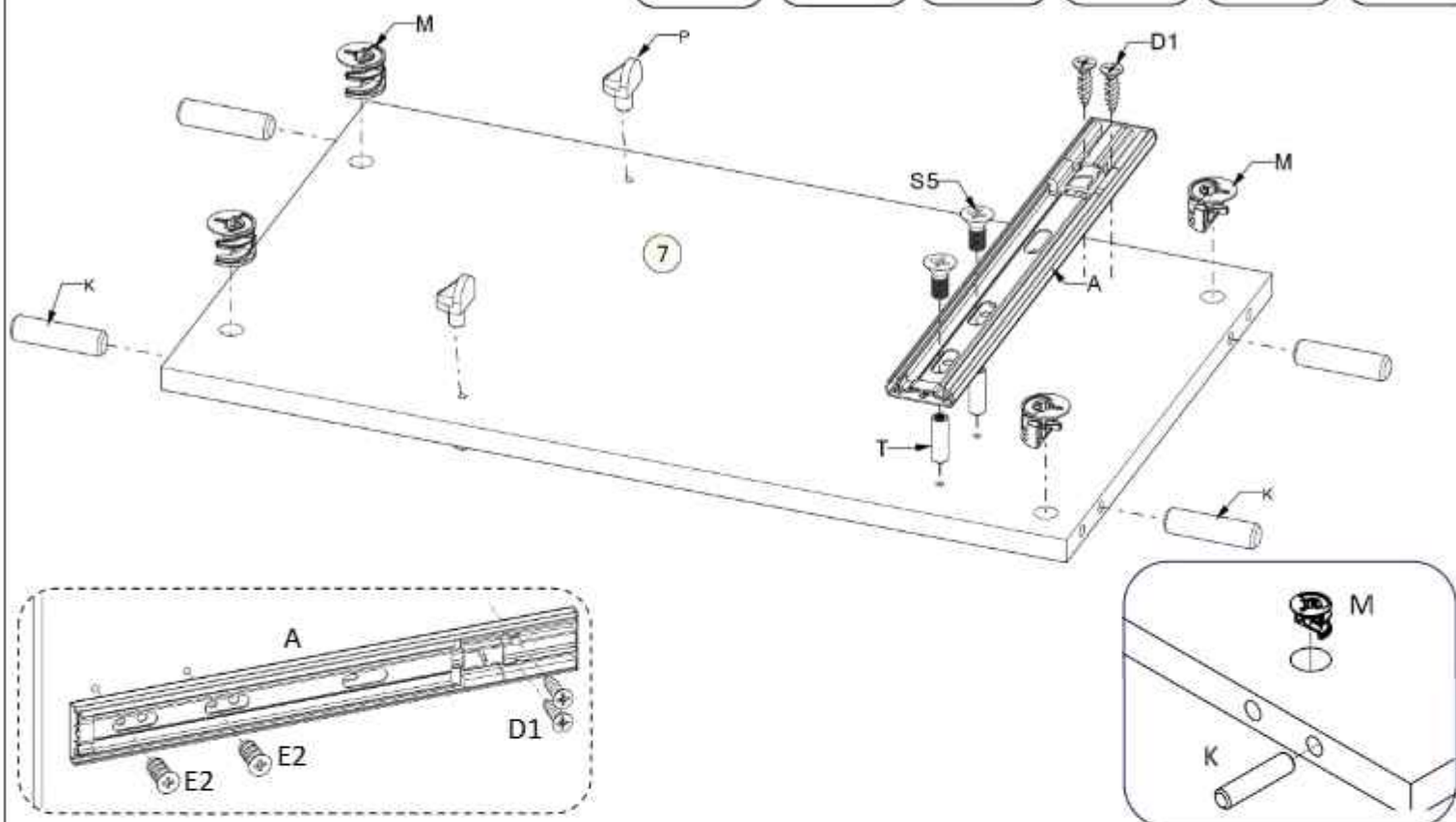
7

D1  3,5x16 x2	E2  6,3x13 x2	Z  x2	P  x2	M  x4	K  8x30 x4
---	---	---	--	--	--







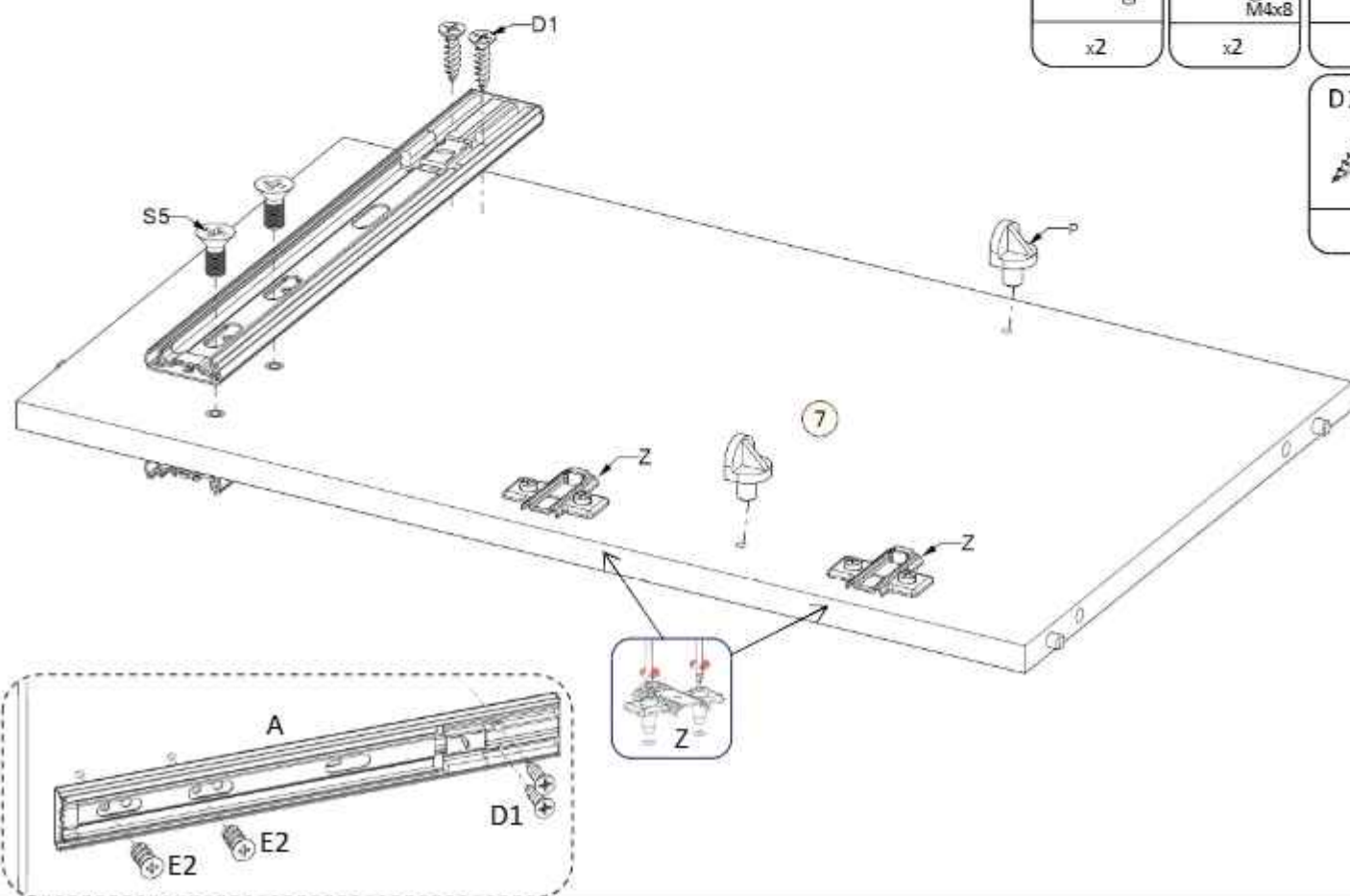
8

D1  3,5x16 x2	S5  M4x8 x2	T  M4x15 x2	P  x2	M  x4	K  8x30 x4
--	--	---	---	---	---









9

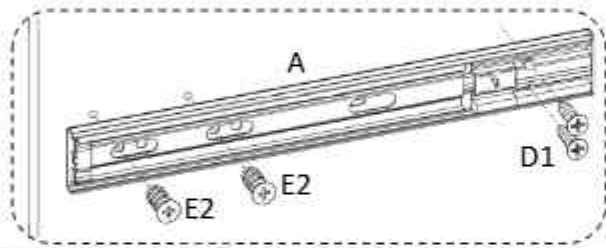
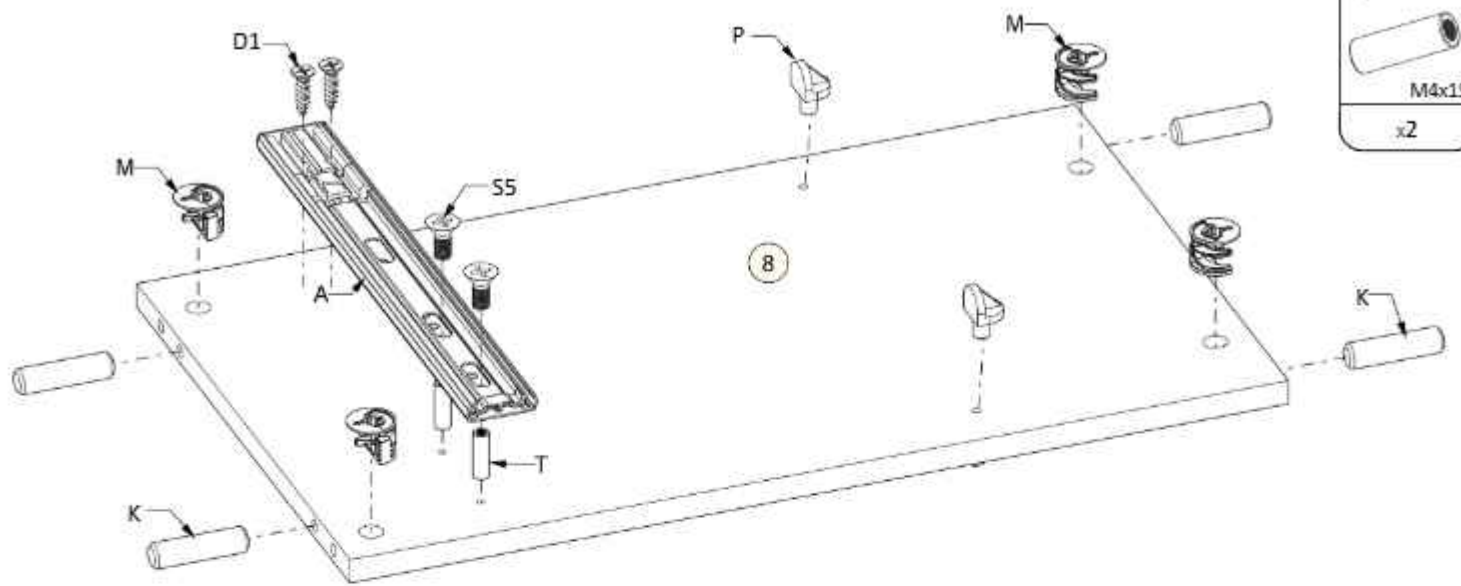
Z  x2	S5  M4x8 x2	P  x2
D1  3,5x16 x2		





10


S5  M4x8 x2	D1  3,5x16 x2	M  x4	K  8x30 x4	P  x2
--	---	---	---	---

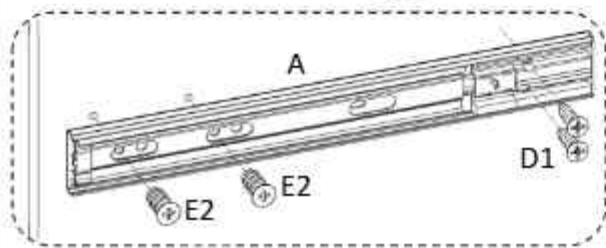
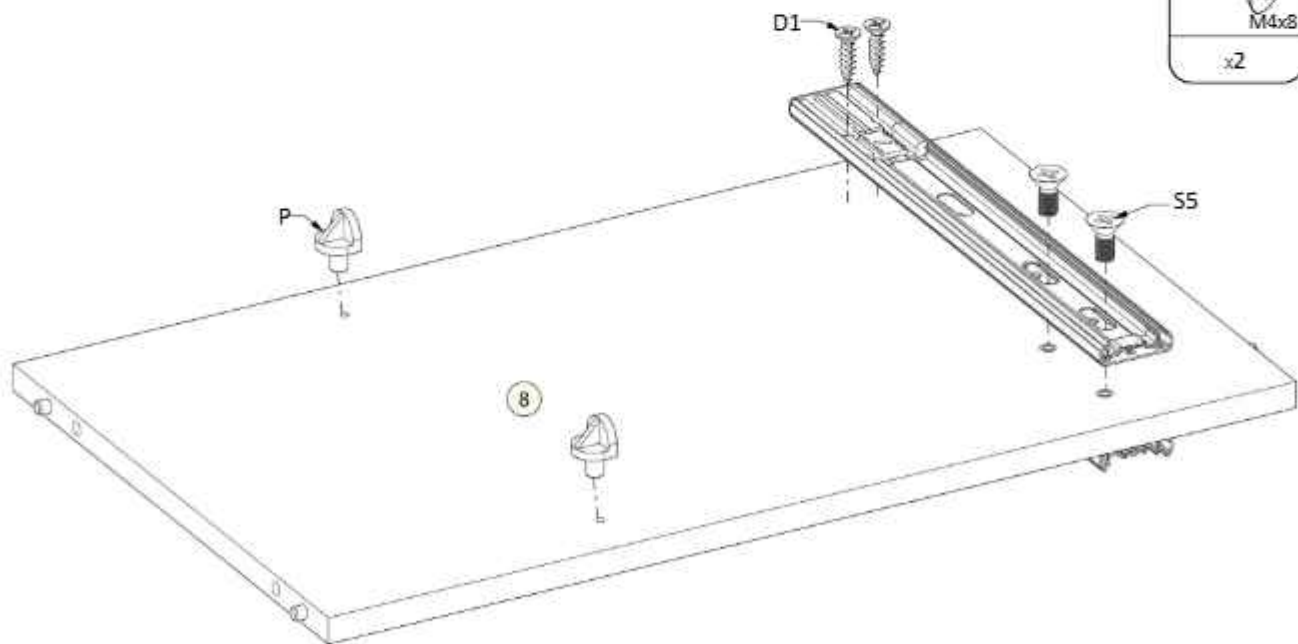
T  M4x15 x2
--



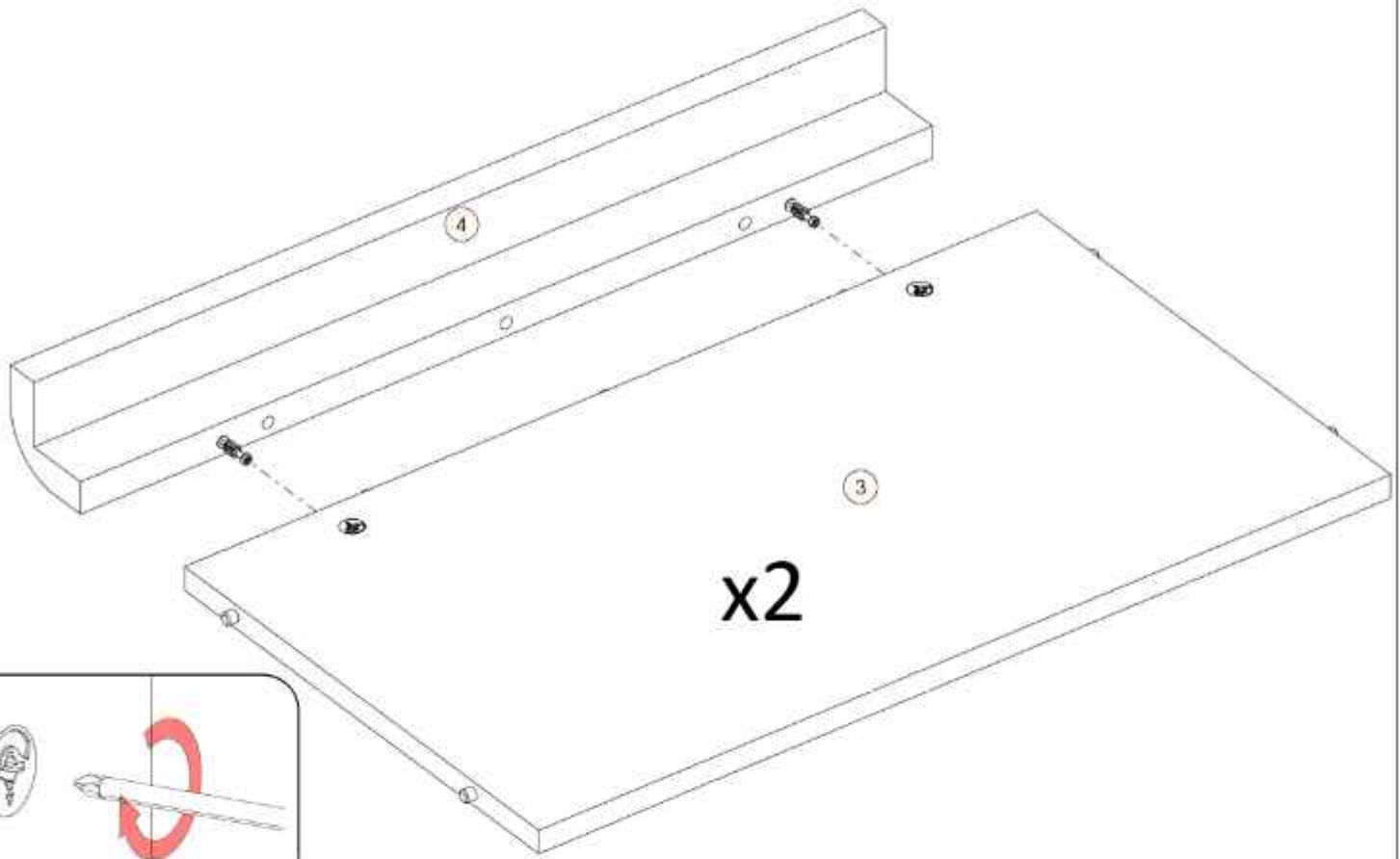
11

S5  M4x8 x2	D1  3,5x16 x2
--	--

P  x2

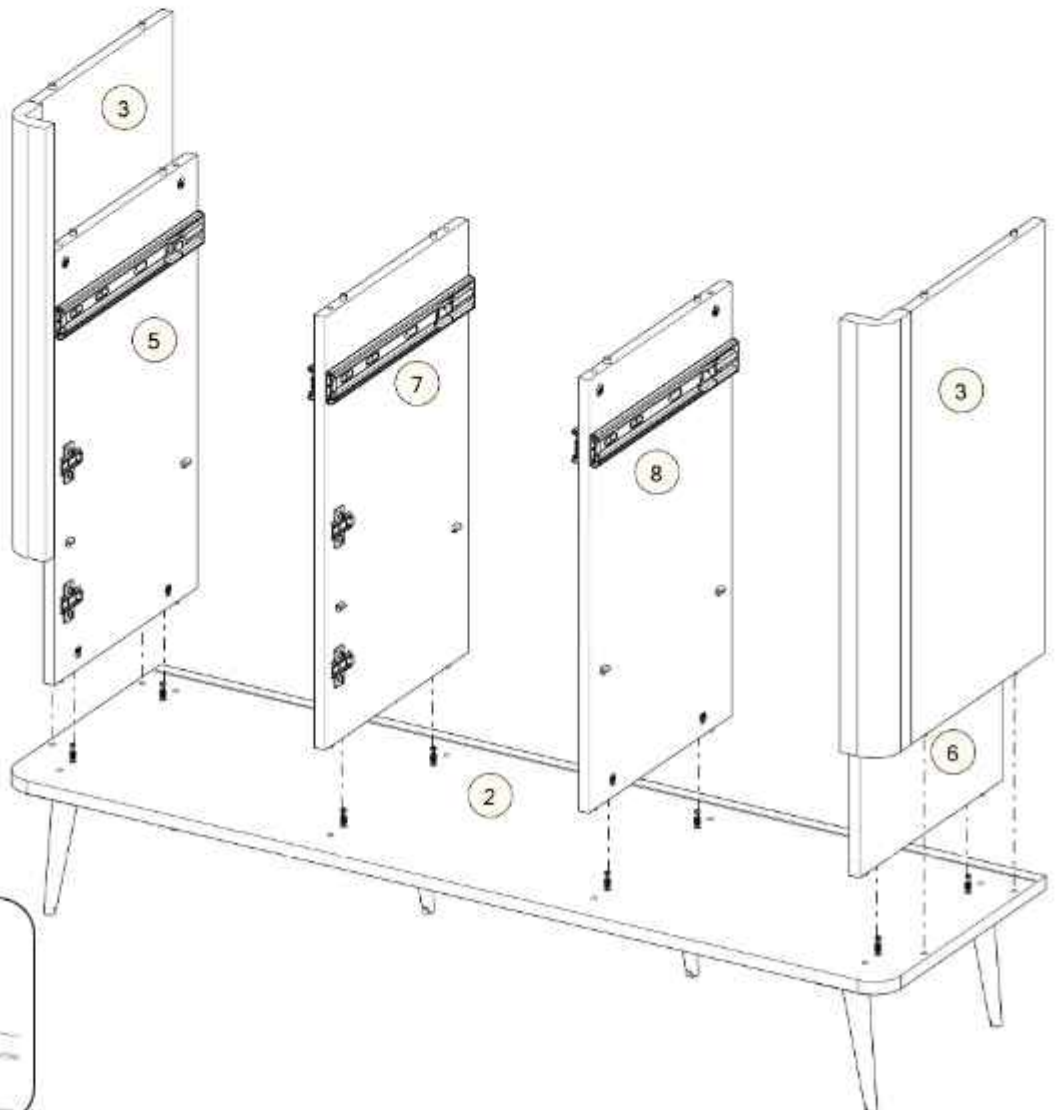


12

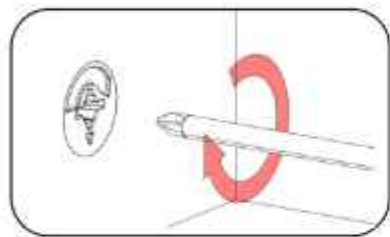


x2

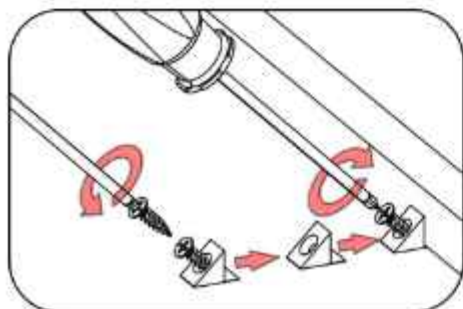
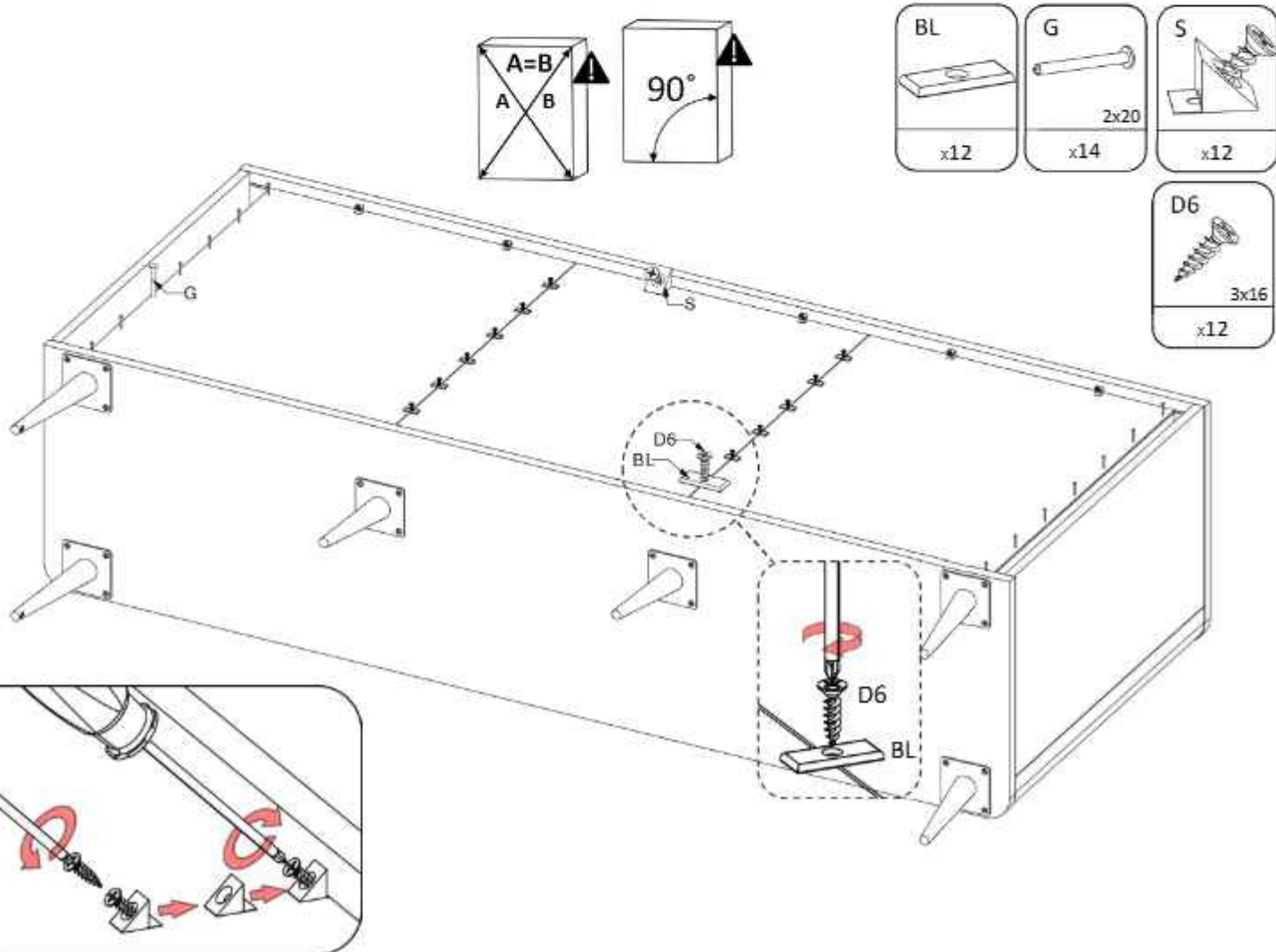
13



14

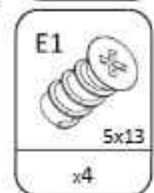
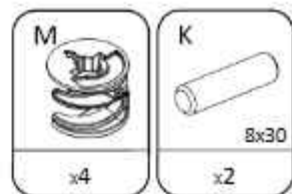
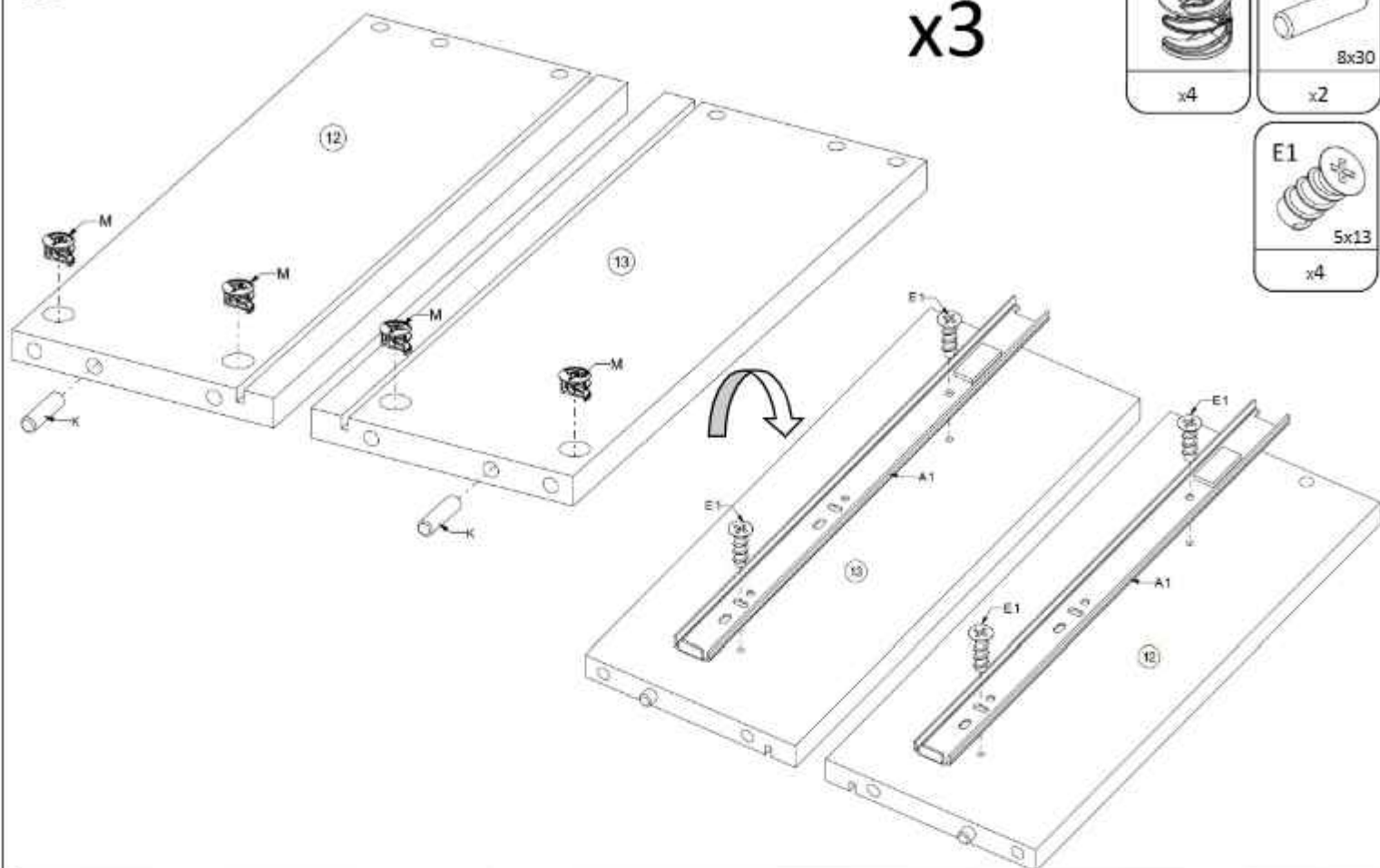


15



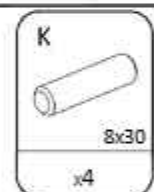
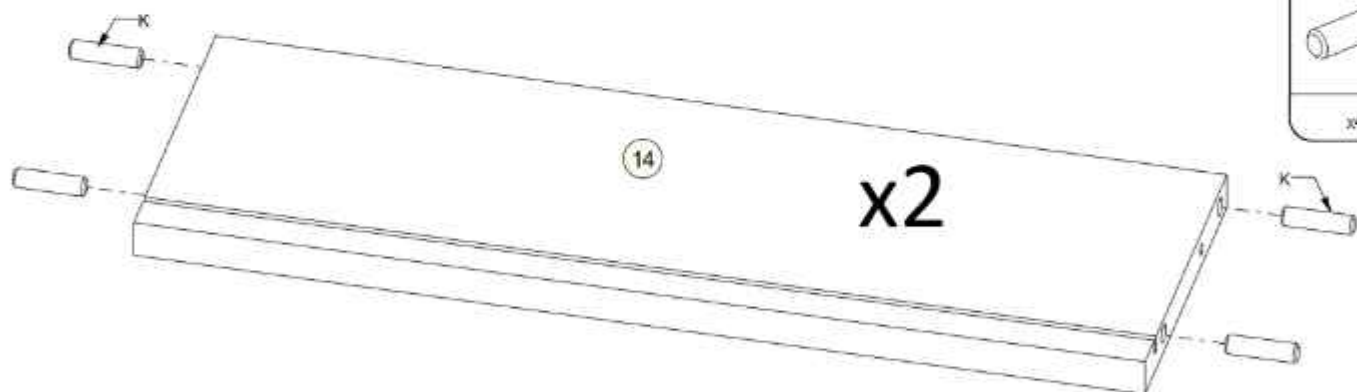
16

x3

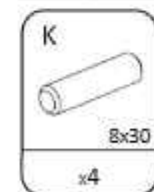
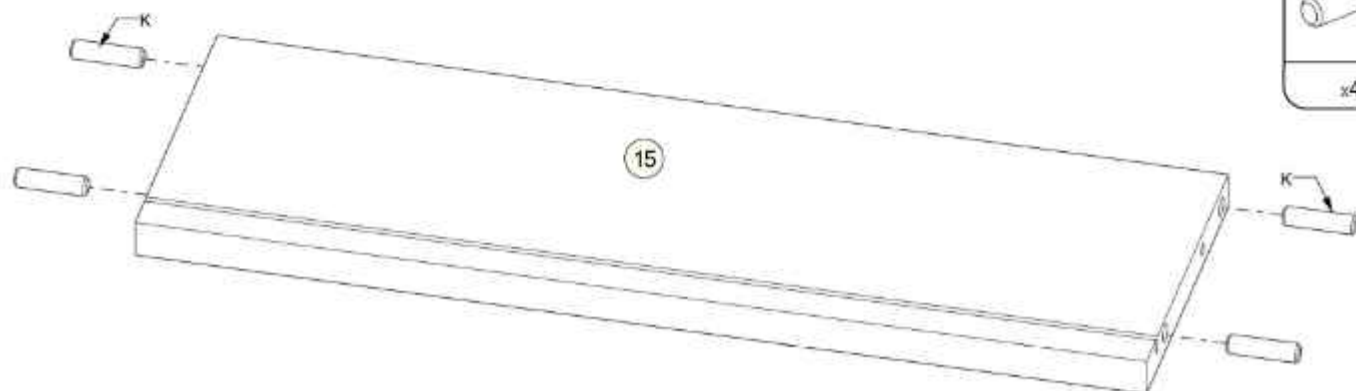


17

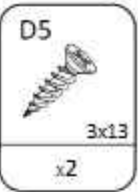
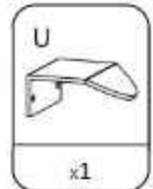
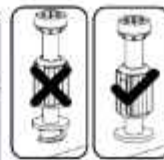
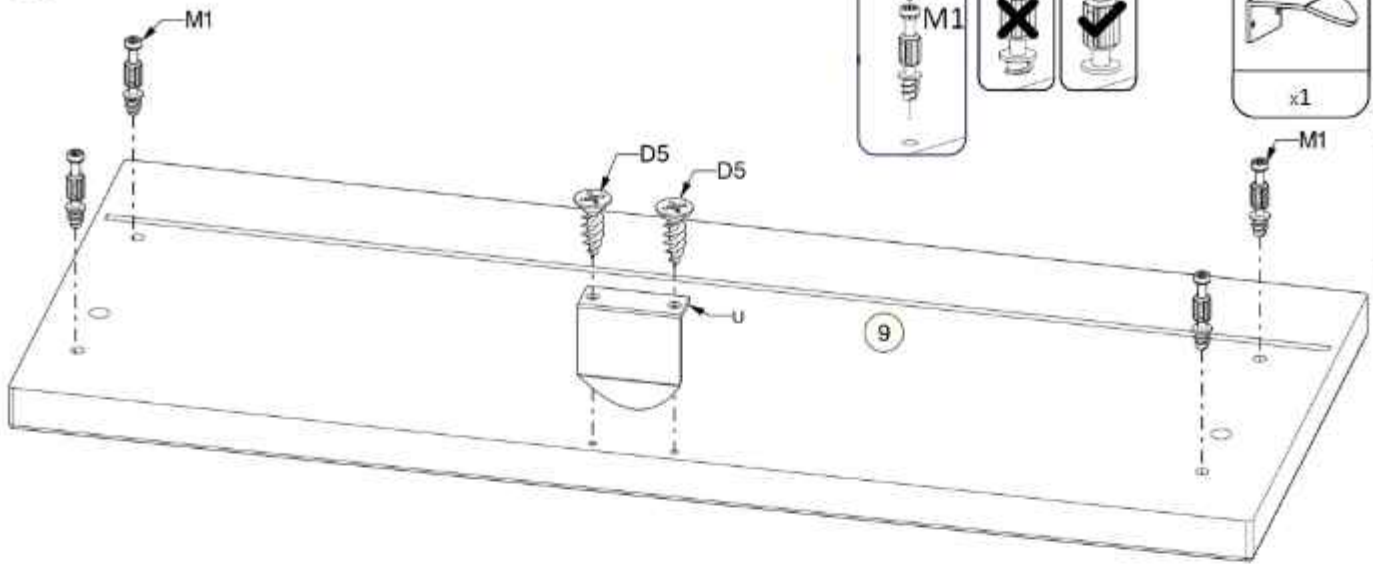
x2



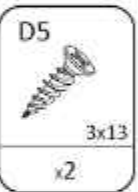
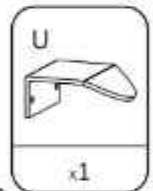
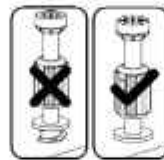
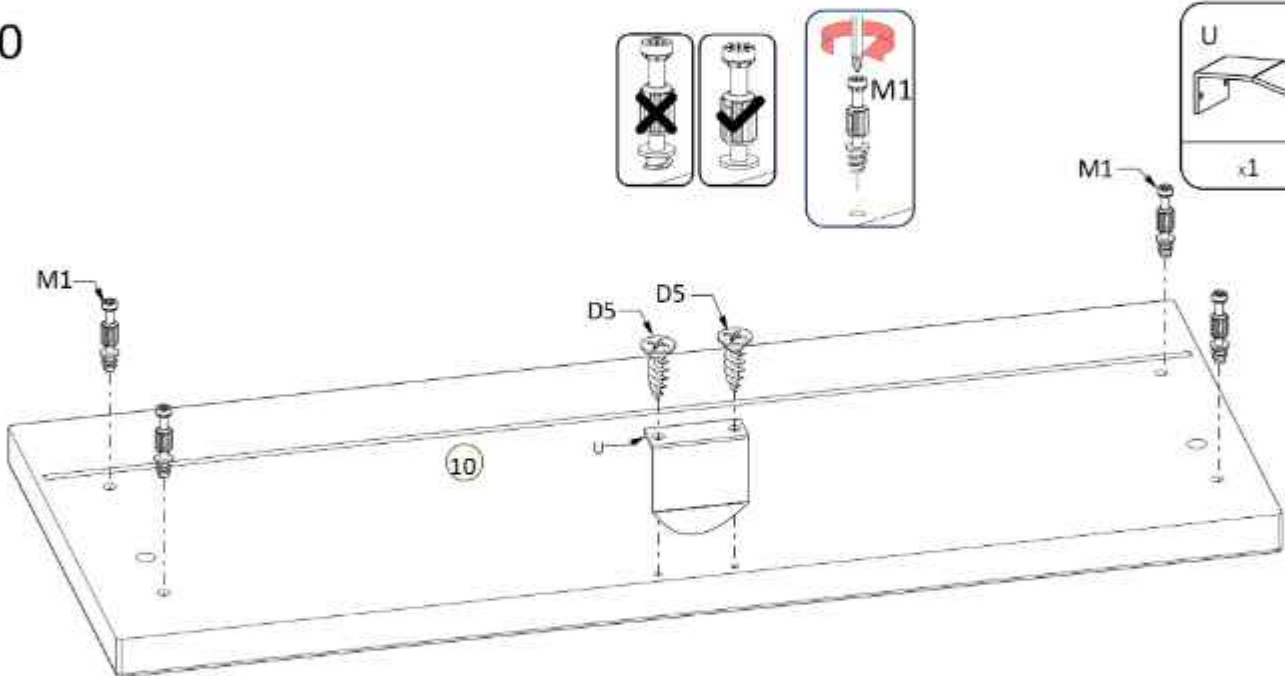
18



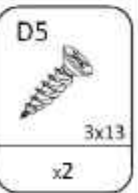
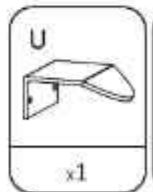
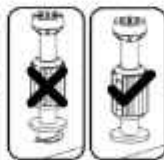
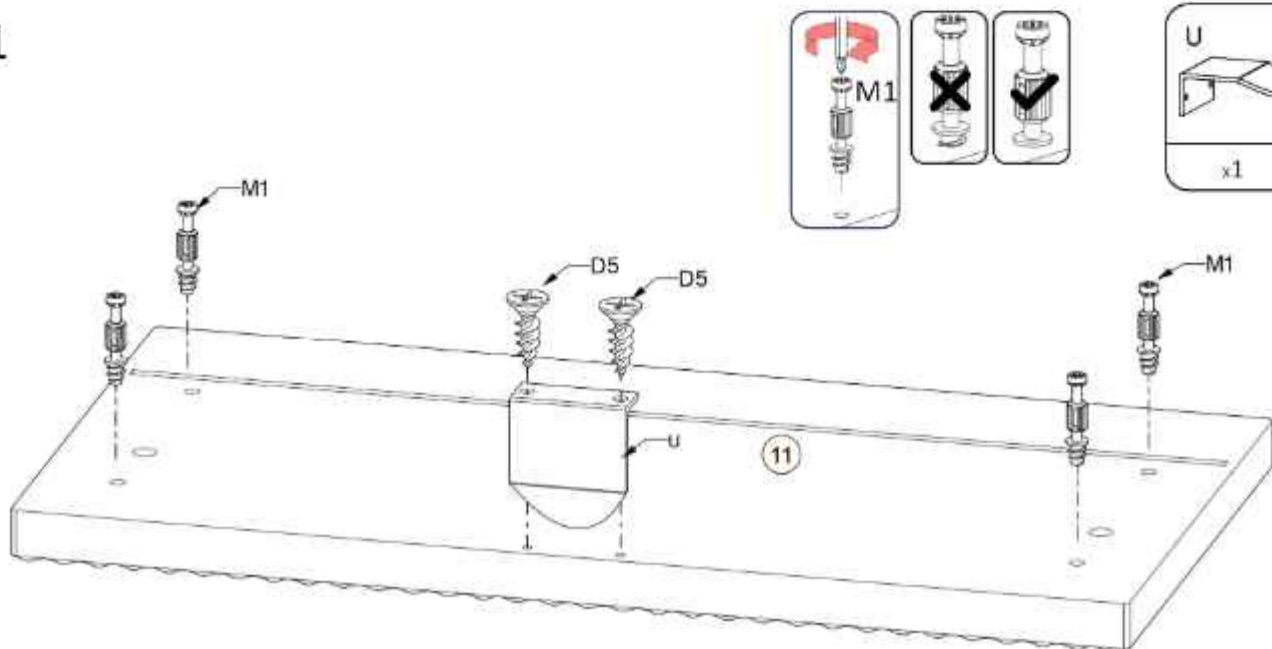
19



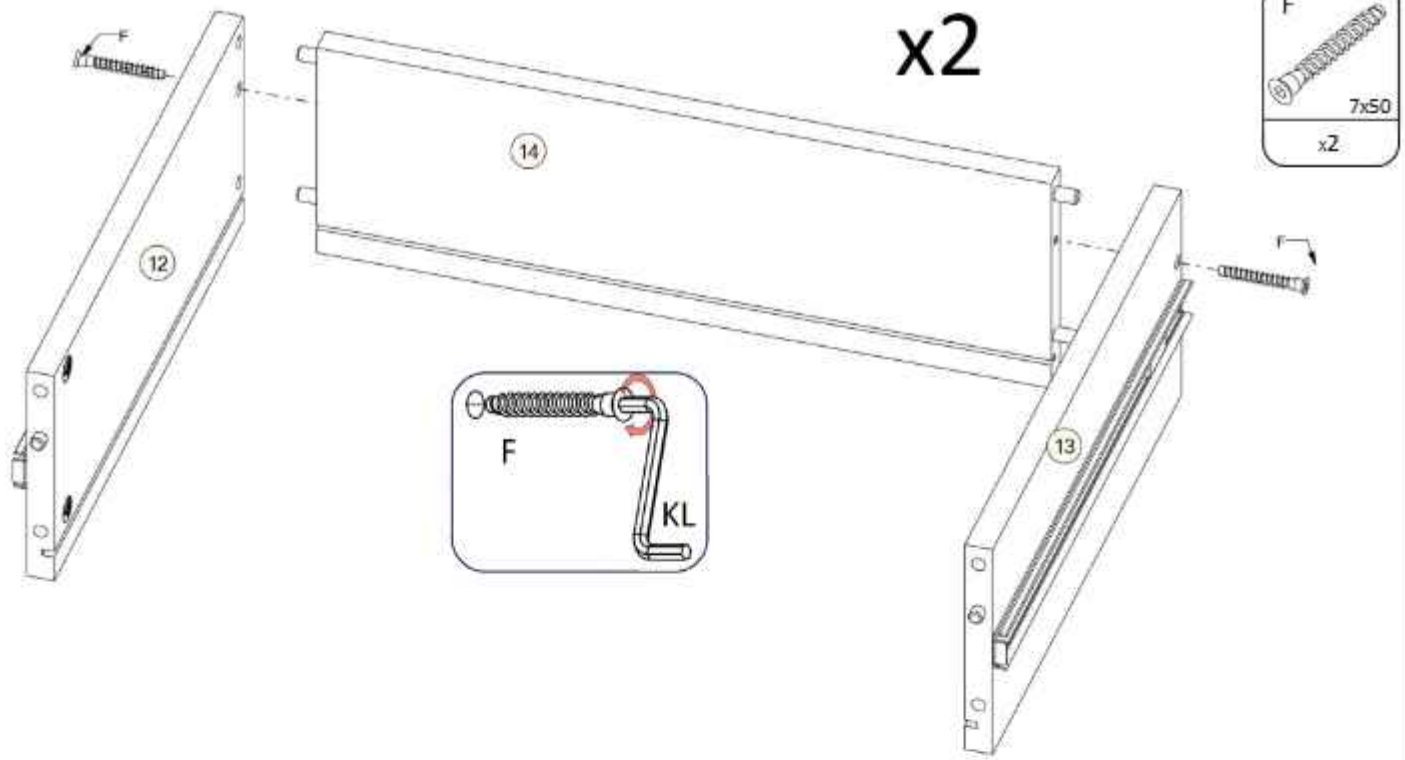
20



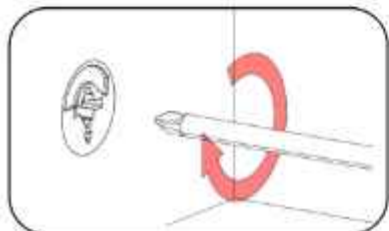
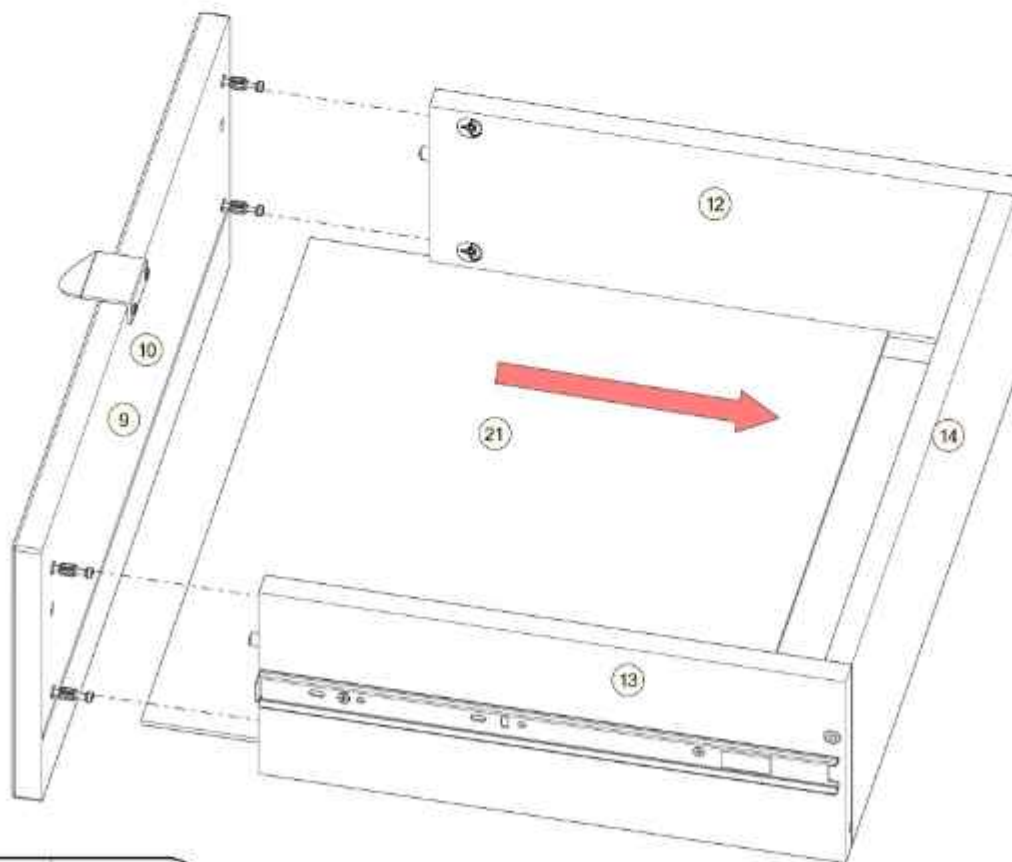
21



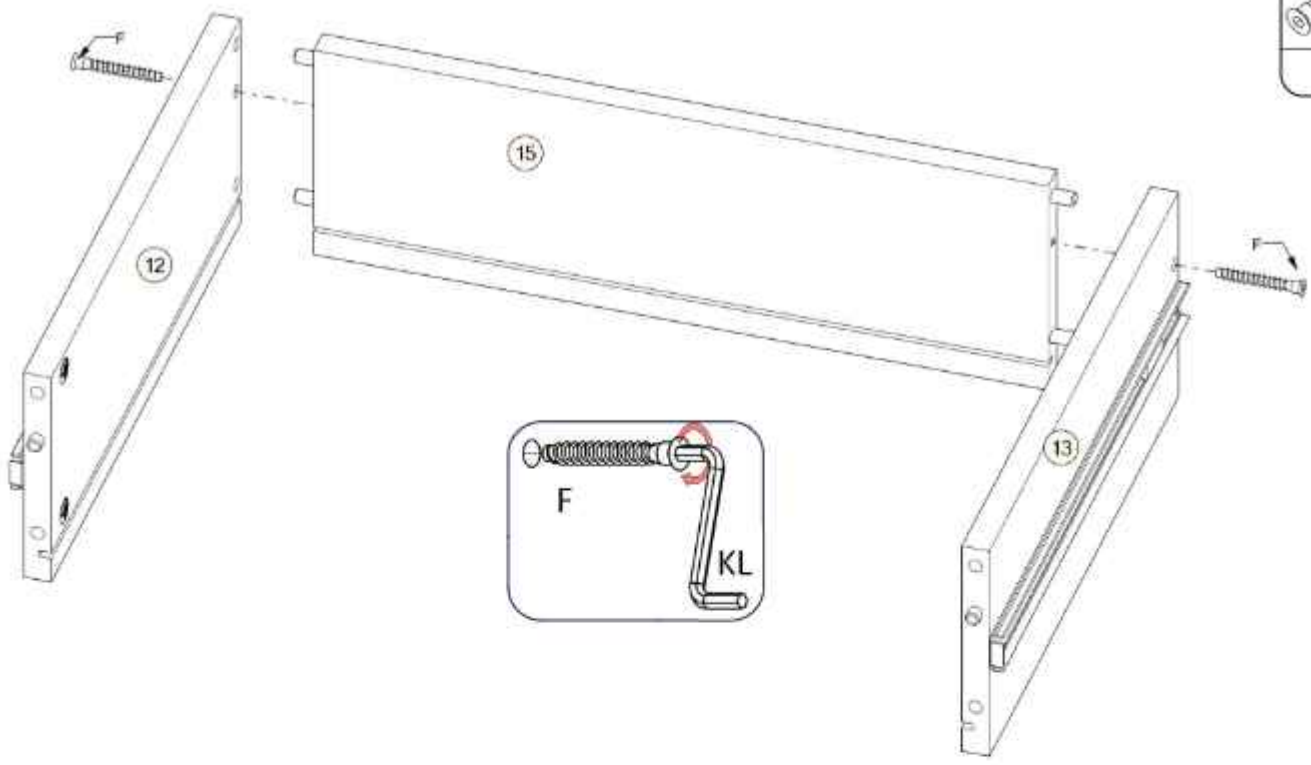
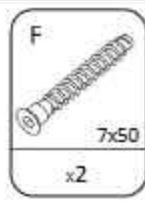
22



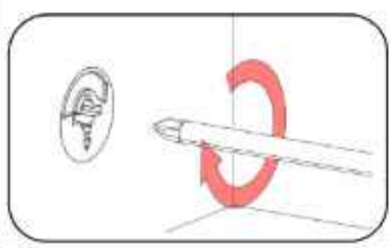
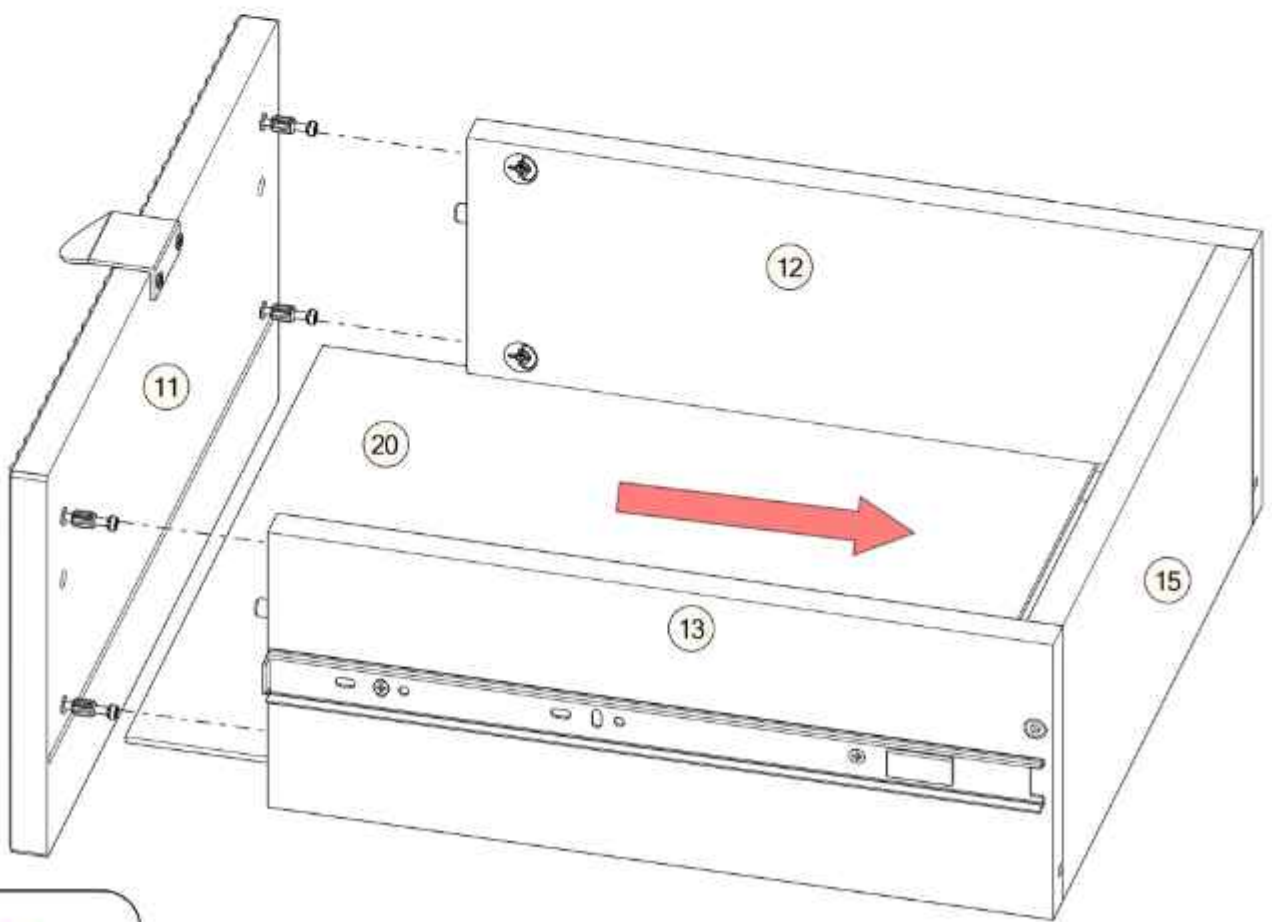
23



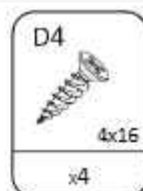
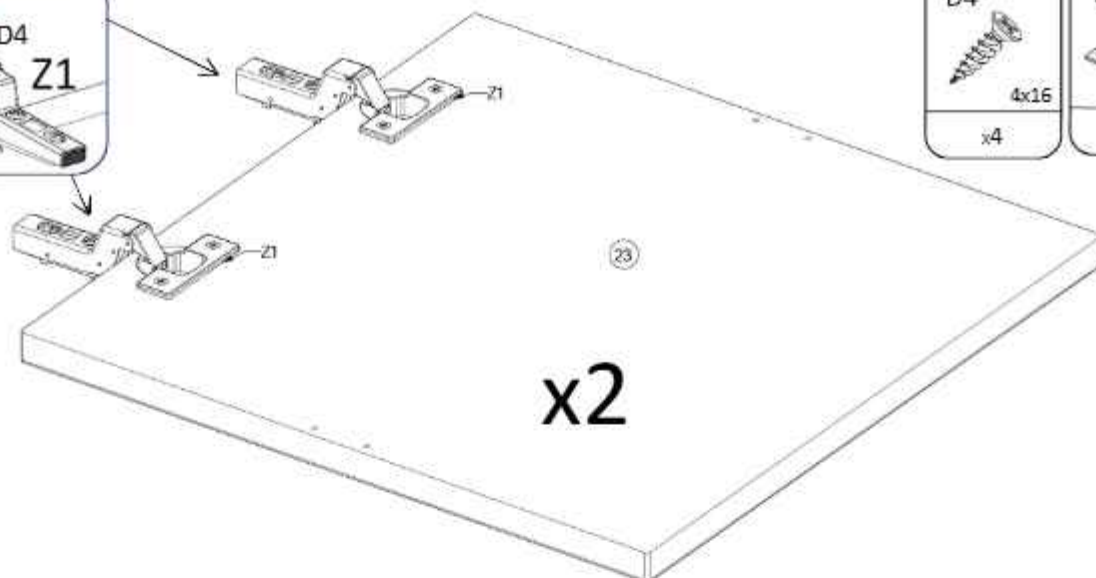
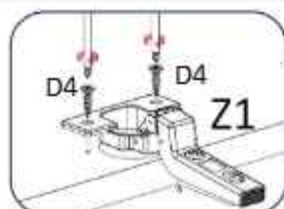
24



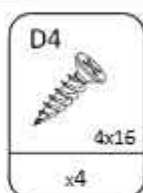
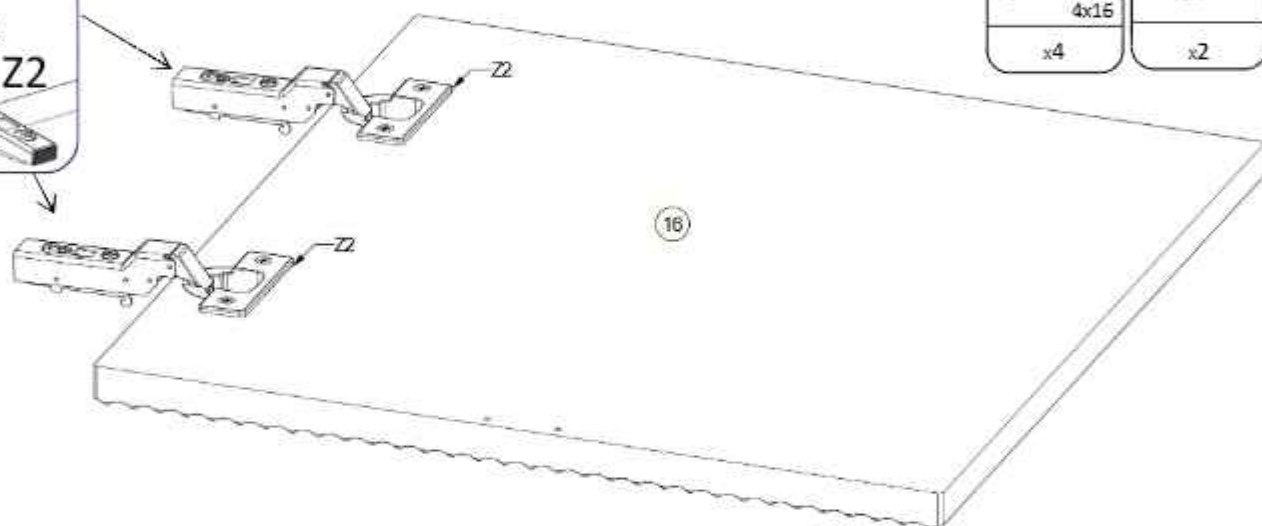
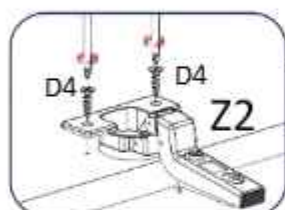
25



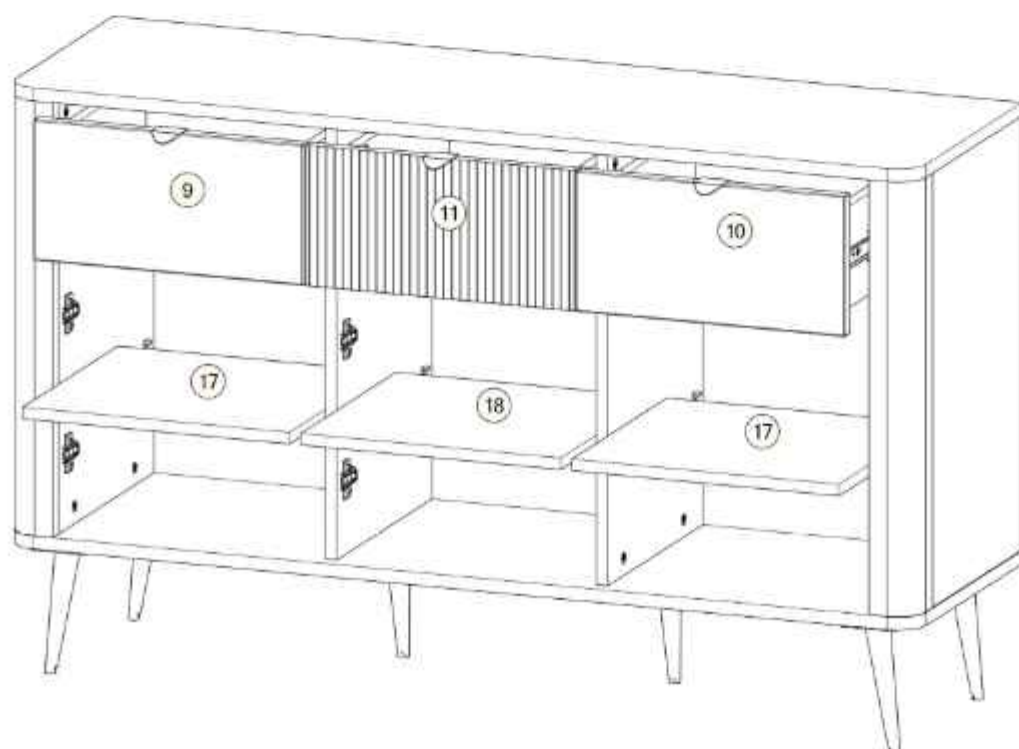
26



27



28



29

