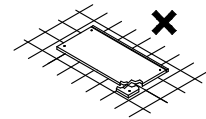
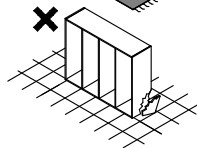
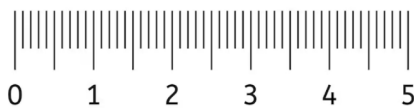
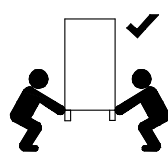
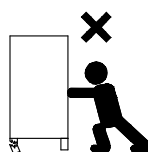
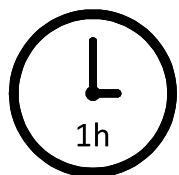
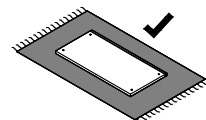
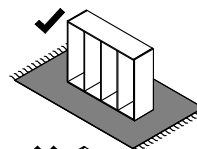
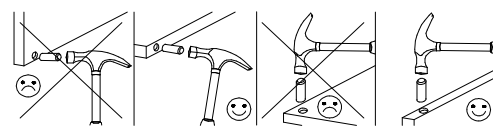
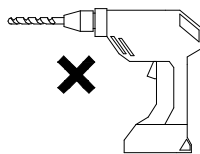
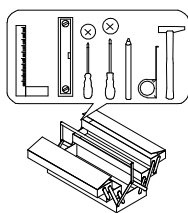
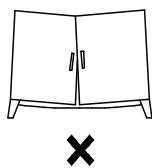
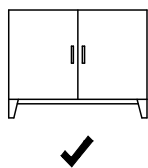
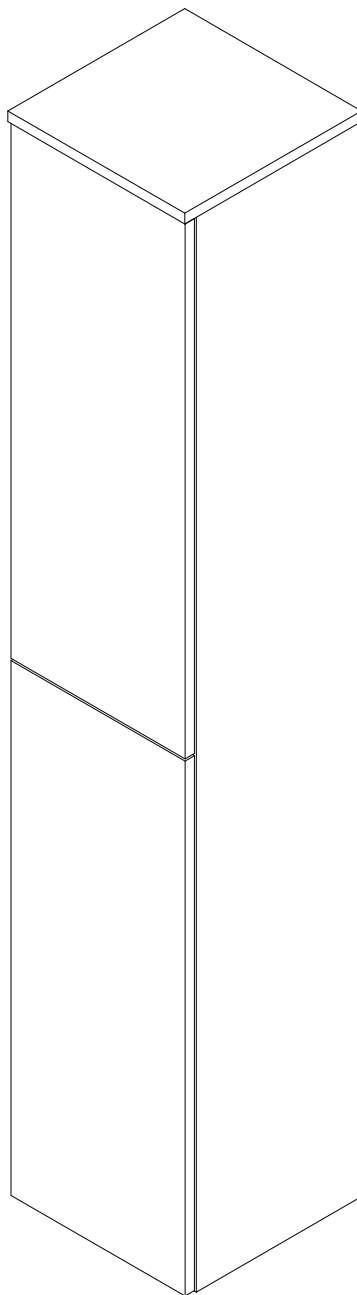
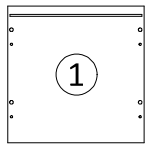
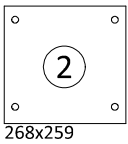


Słupek wiszący 160 1D L/R

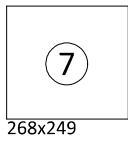




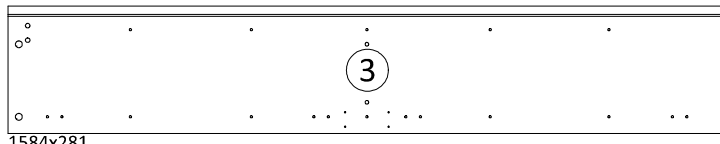
301x301



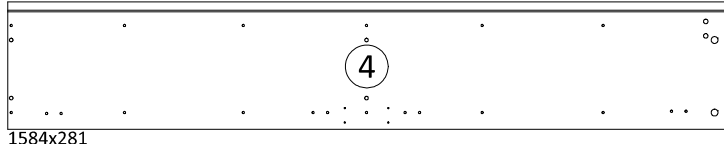
268x259



268x249



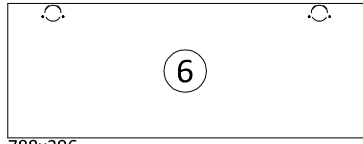
1584x281



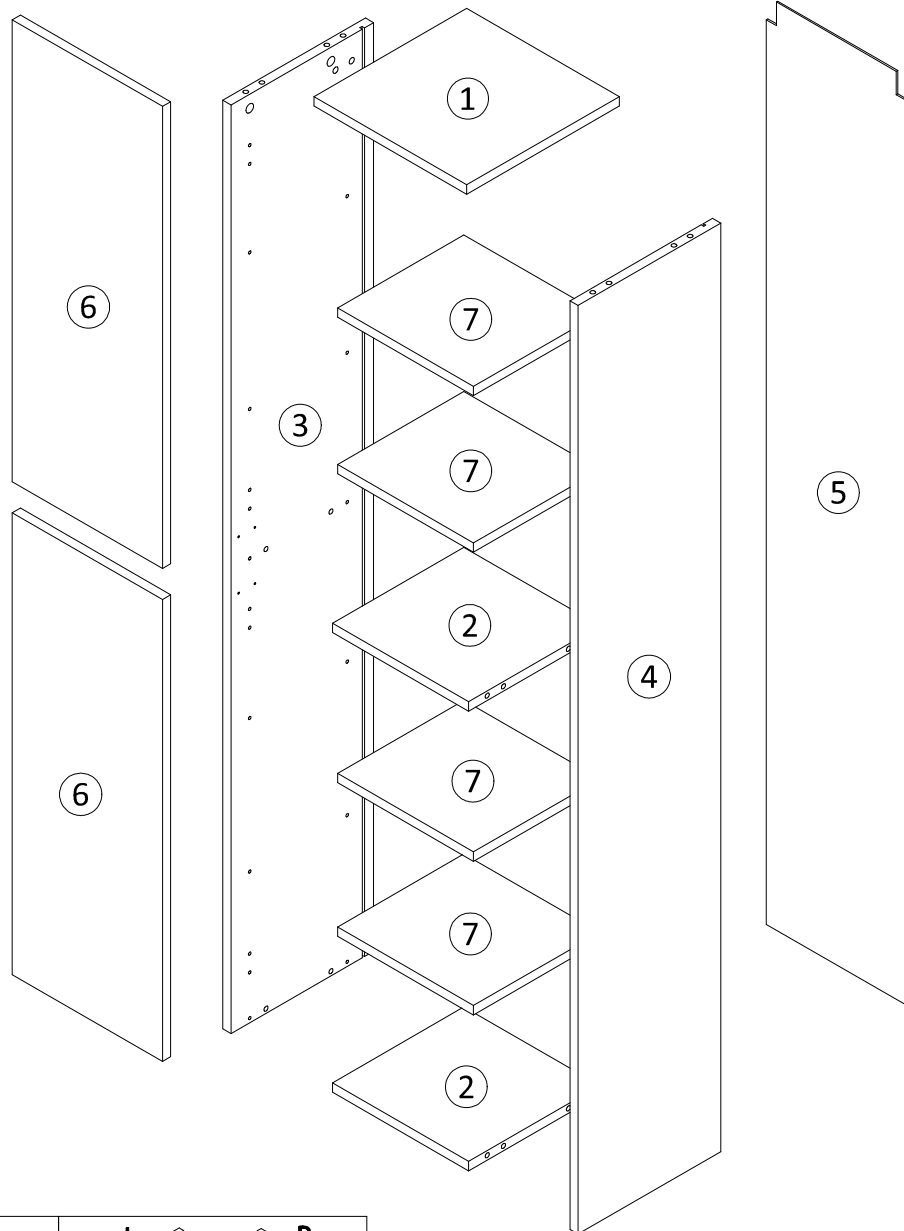
1584x281

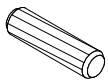
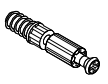

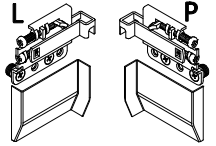
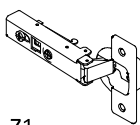
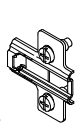

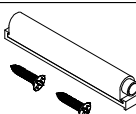
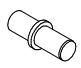
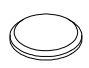
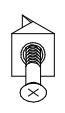

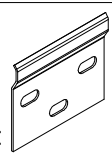
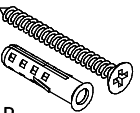


1586x276



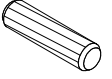


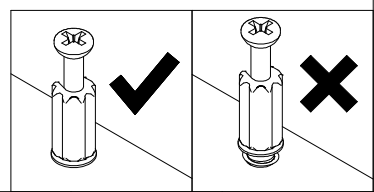
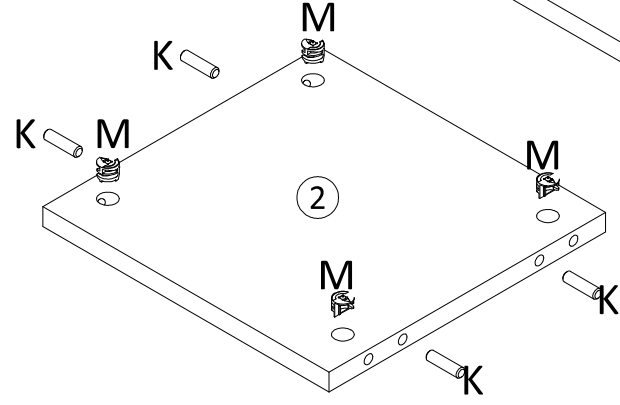
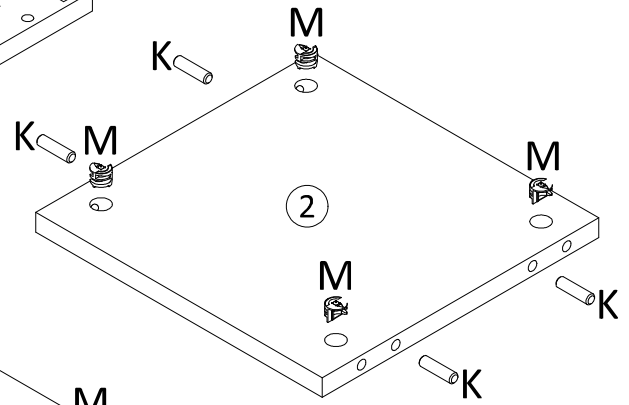
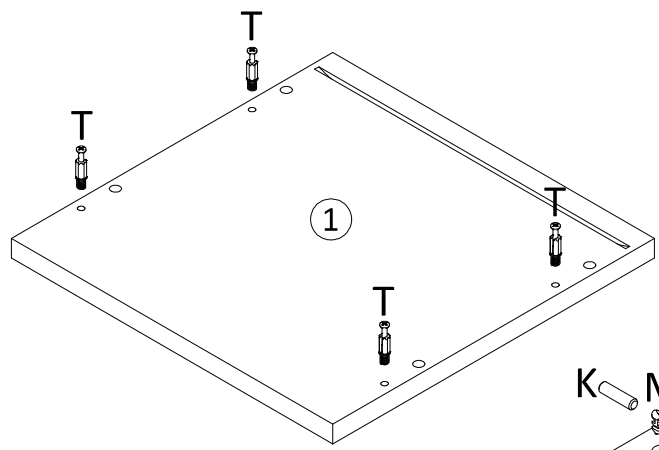
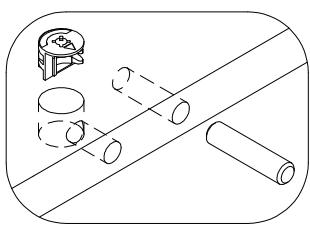
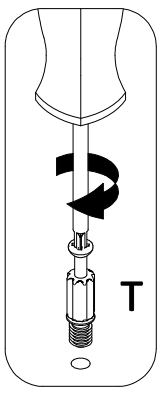
788x296



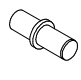
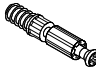

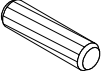
 K	 T	 M	 ZC						
12x	12x	12x	1x						
 Z1	 PZ	 W4	 TP+TW	 P	 ZM	 S	 G	 PC	 R
4x	4x	8x	2x	16x	12x	7x	4x	2x	4x

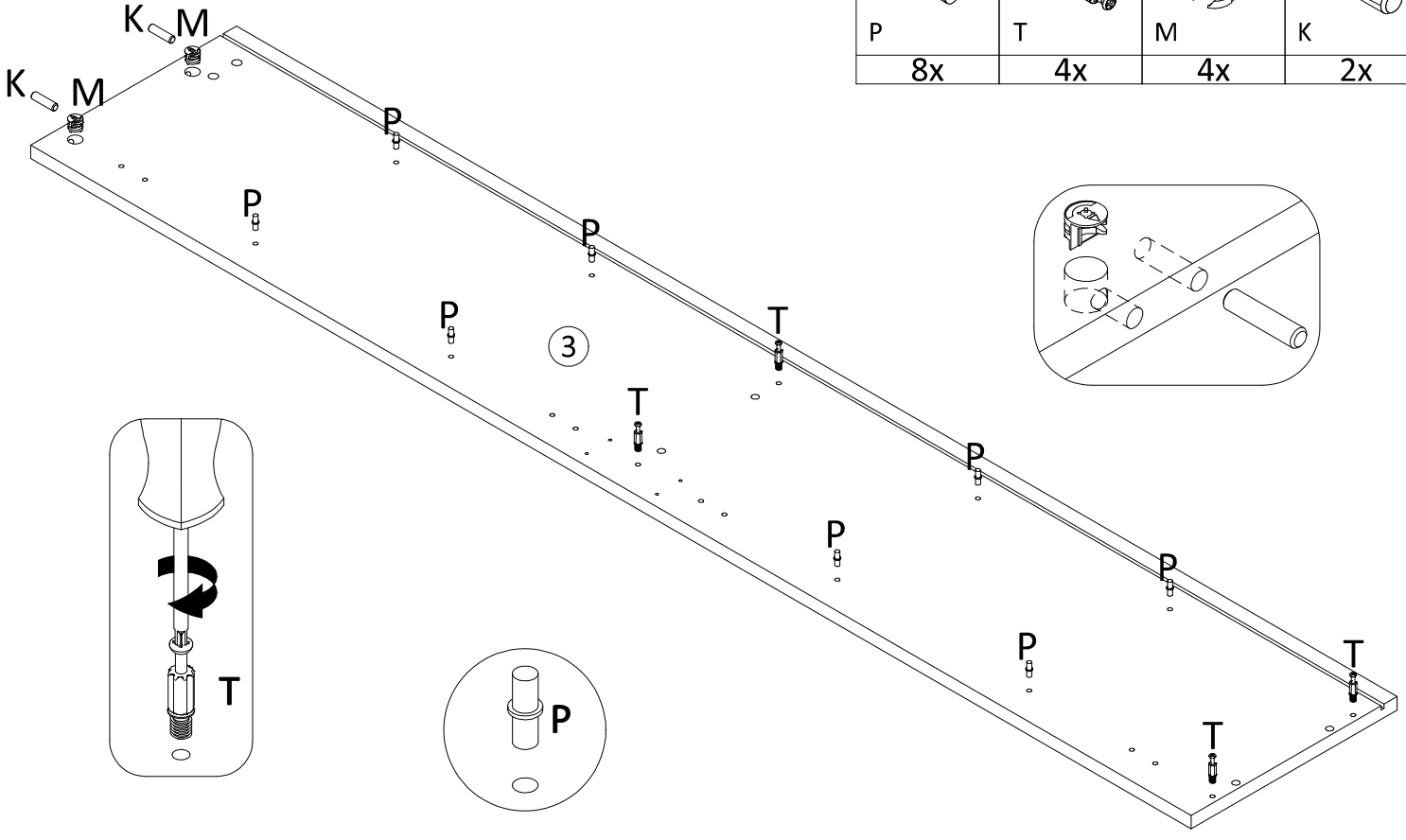
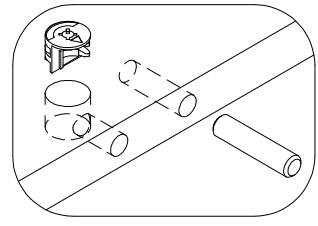
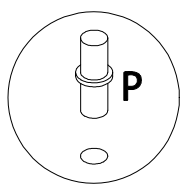
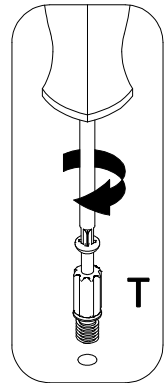
1

		
T	M	K
4x	8x	8x

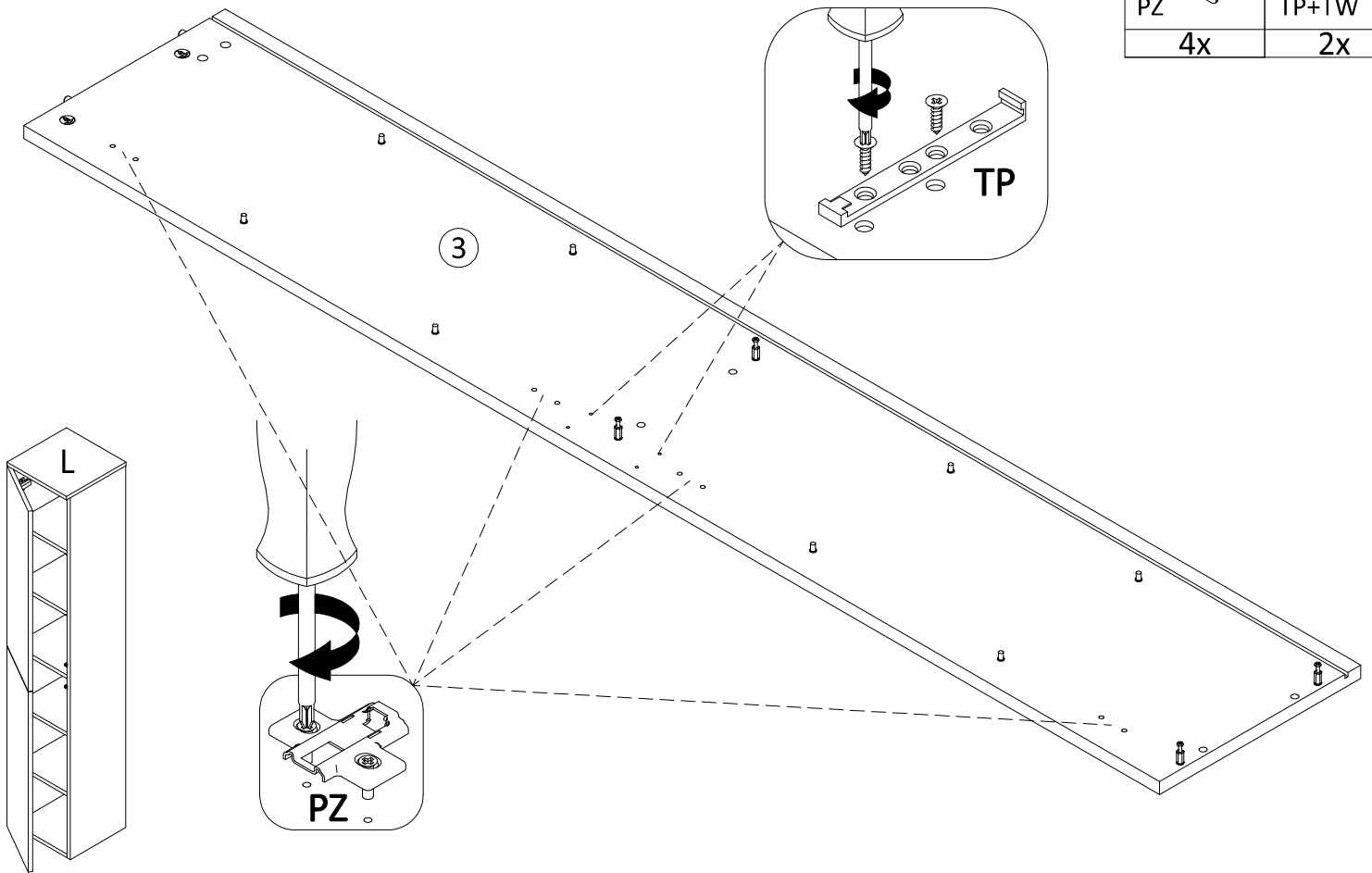


2

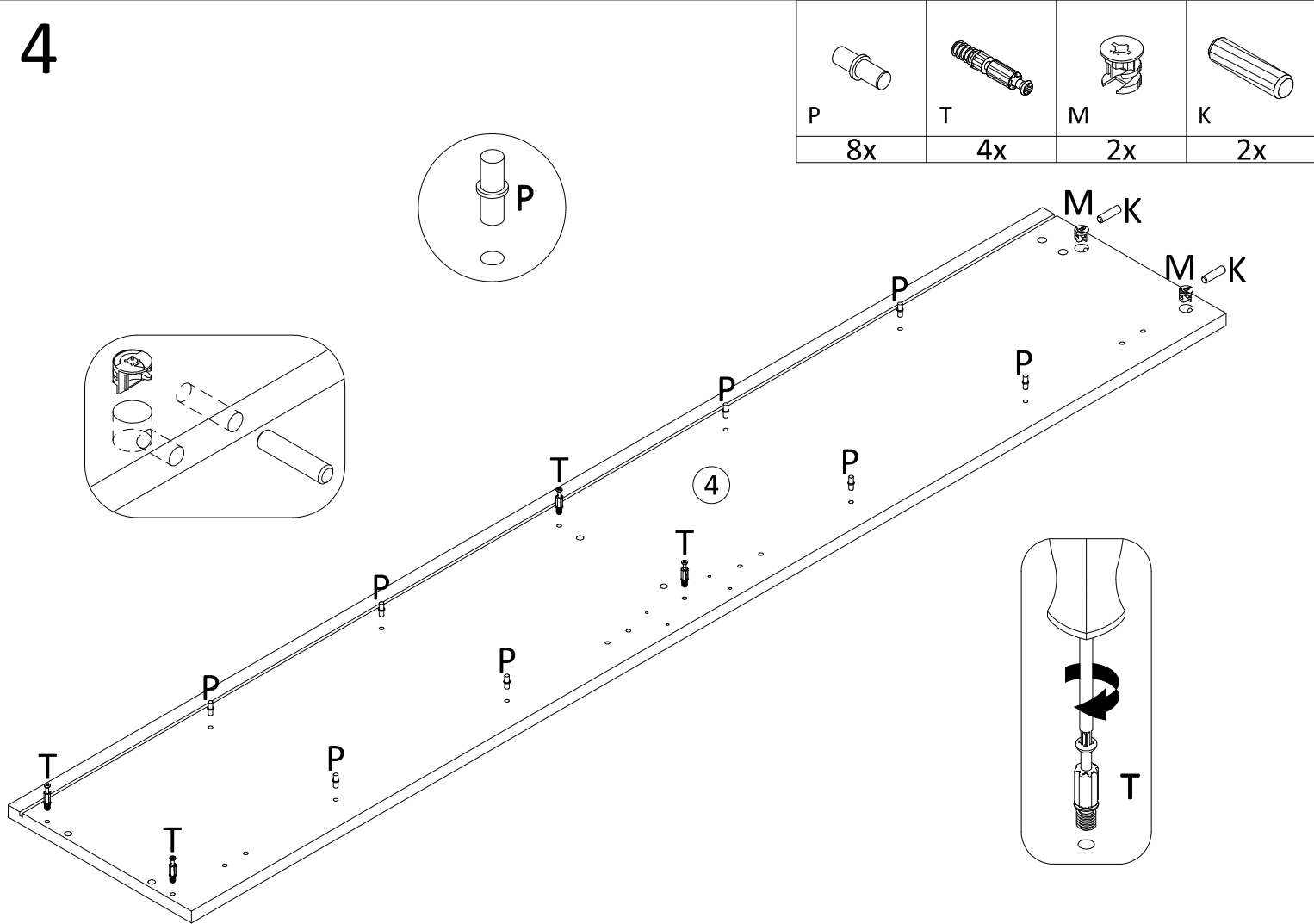
			
P	T	M	K
8x	4x	4x	2x



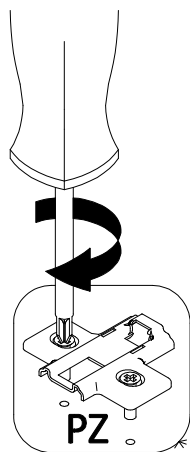
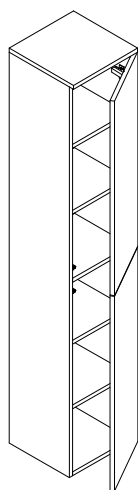
3 Option L

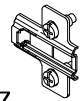
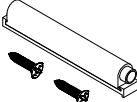


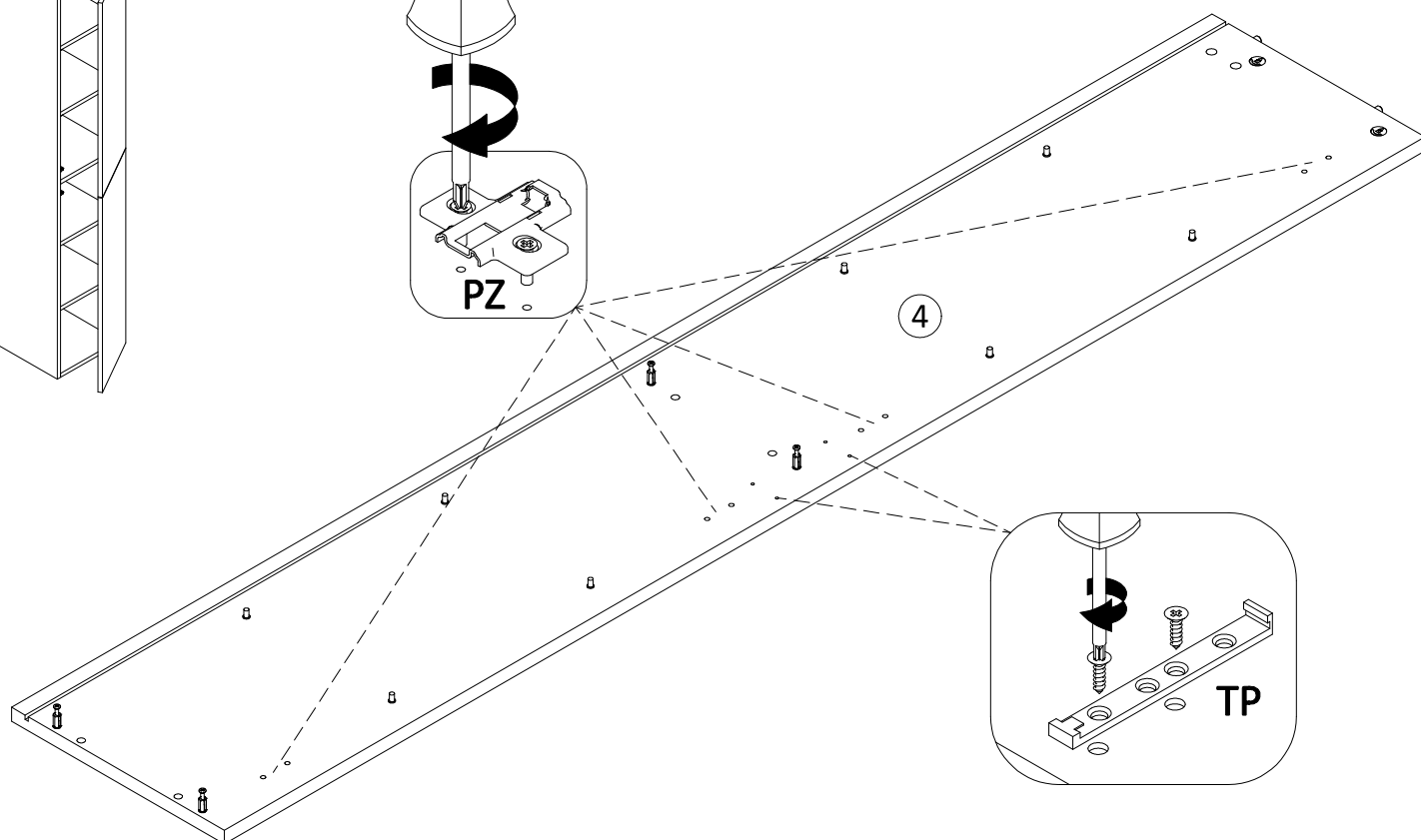
4



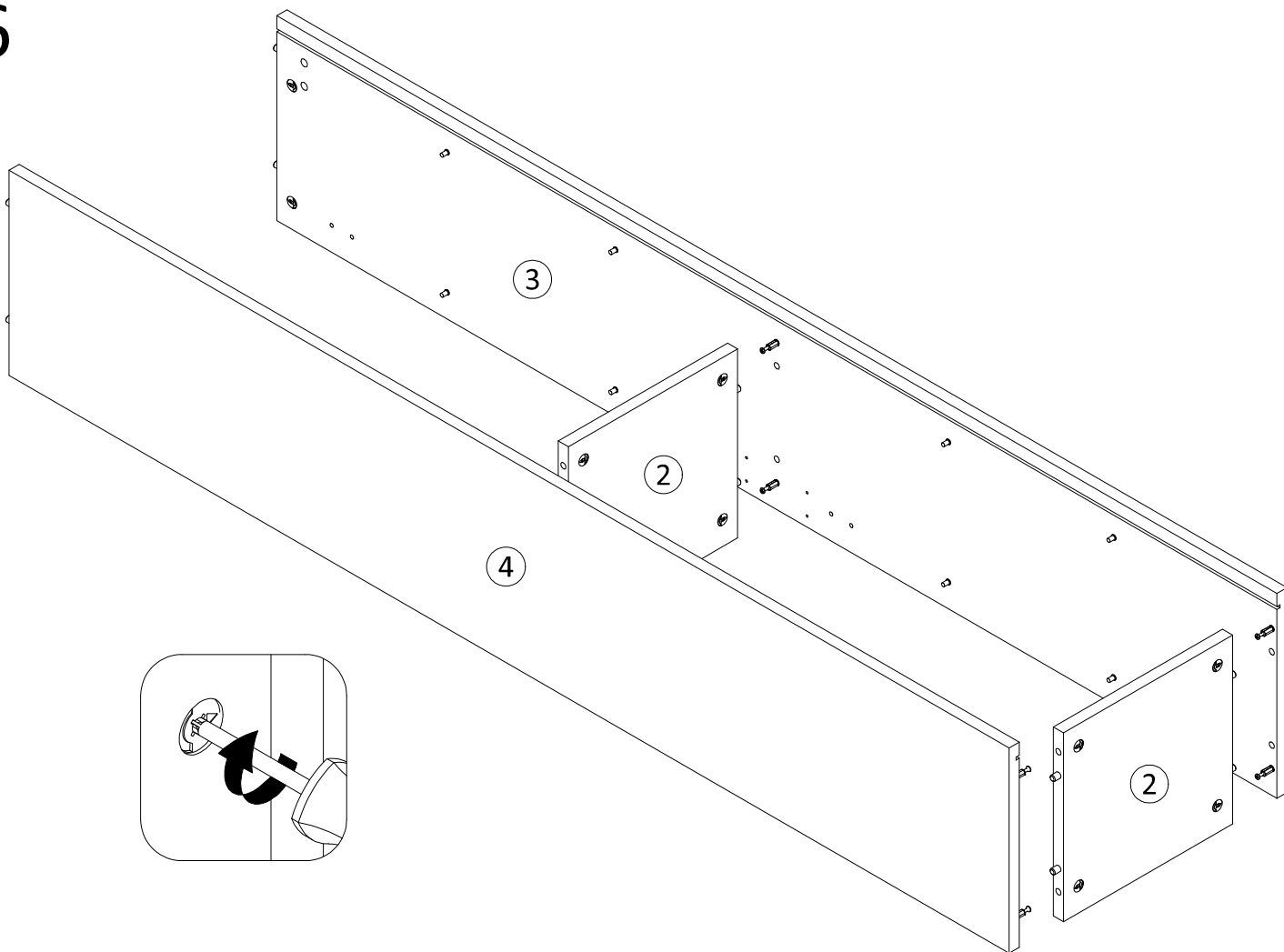
5 Option R



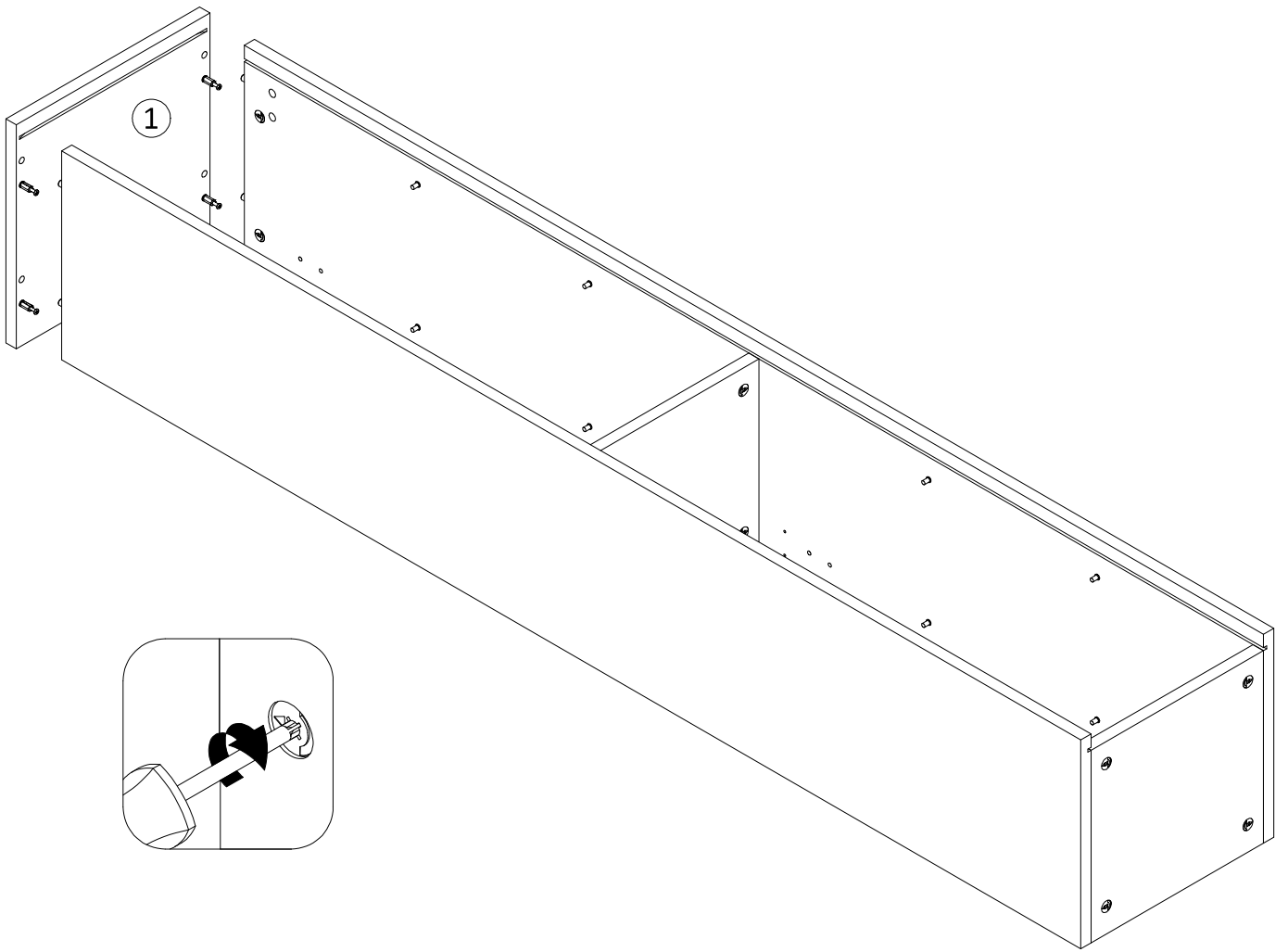
 PZ	 TP+TW
4x	2x



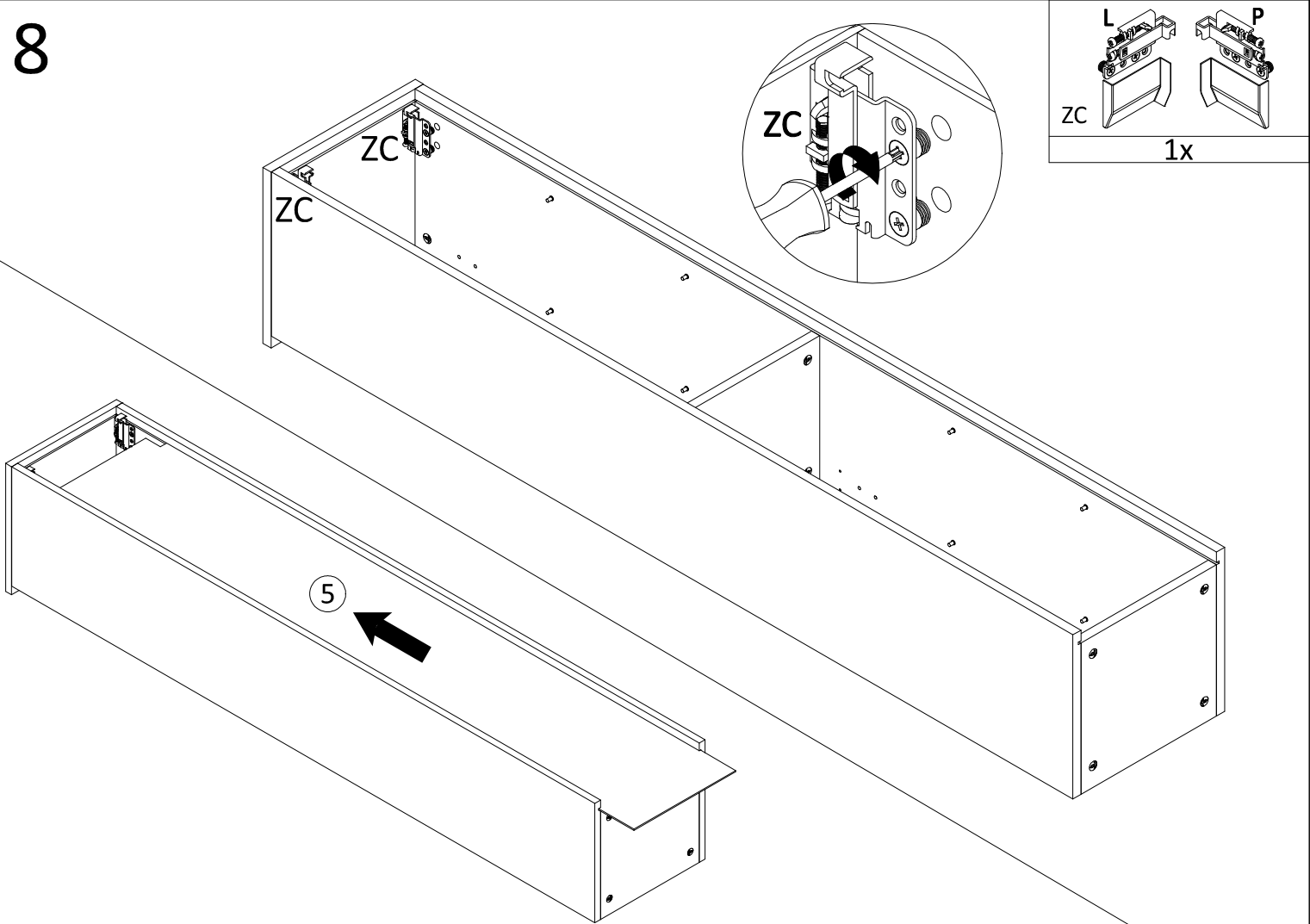
6





7

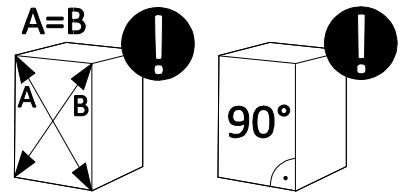
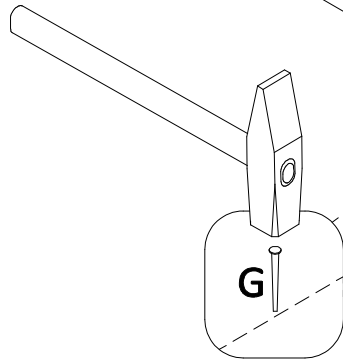
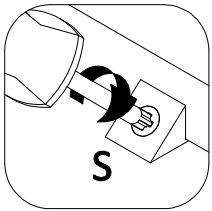
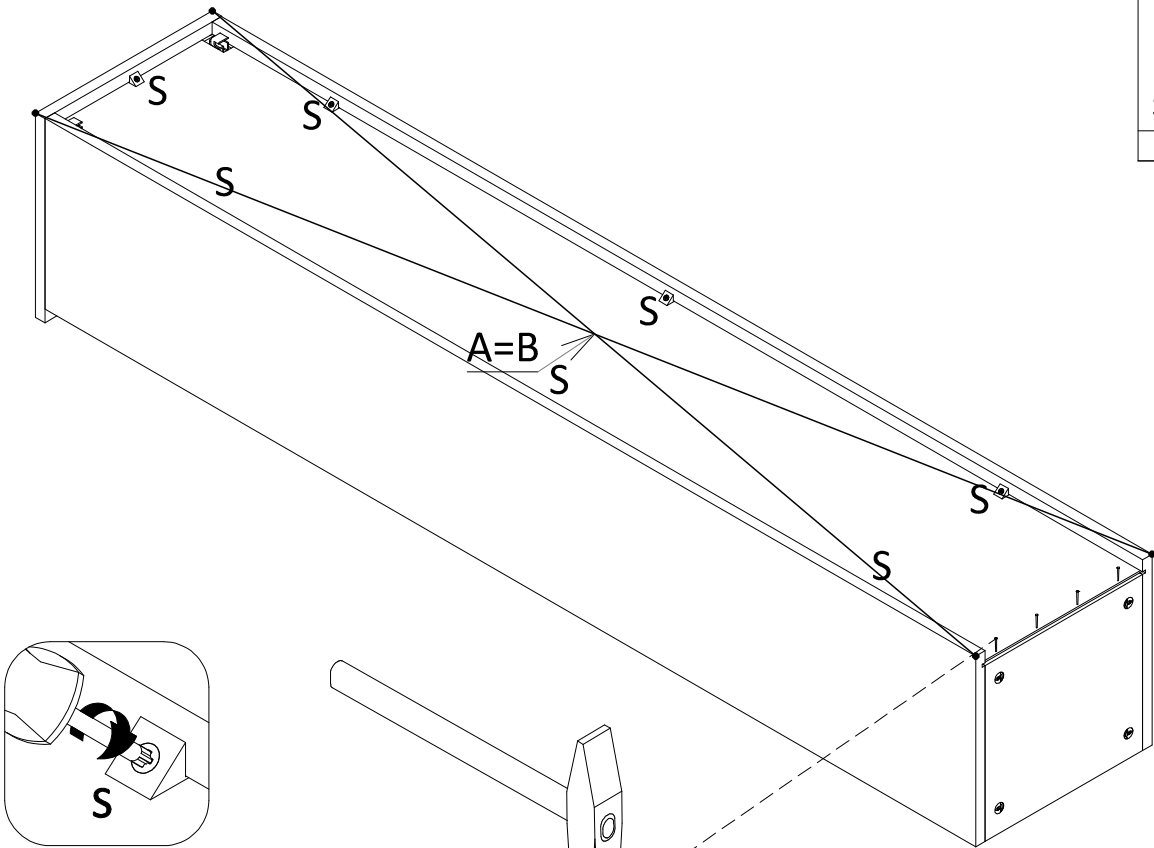


8


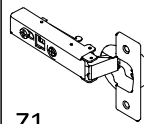


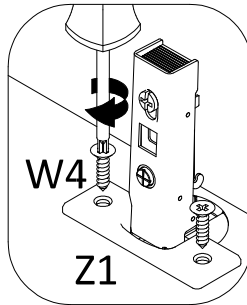
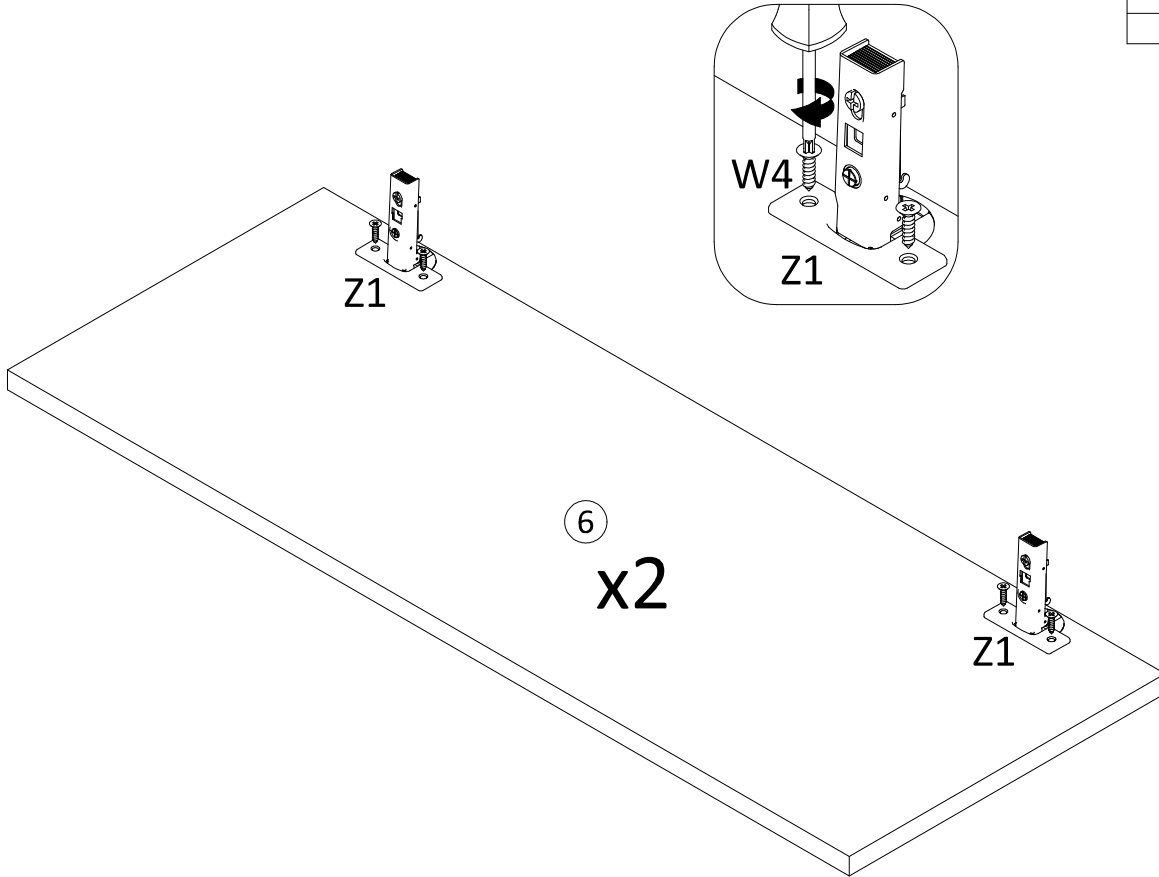
9

	
S	G
7x	4x

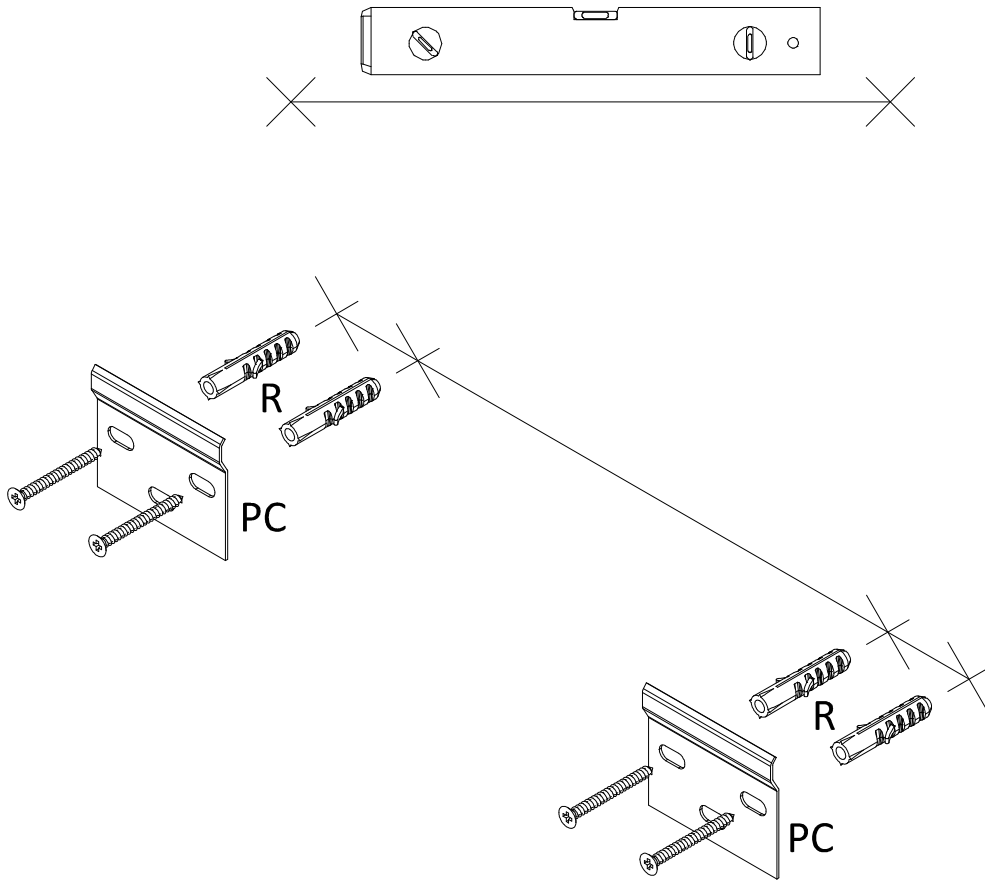


10

	
W4	Z1
8x	4x

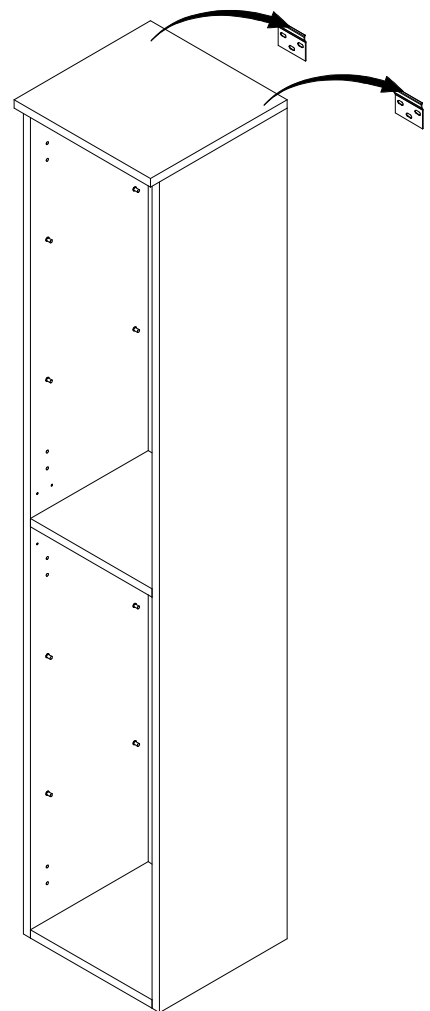


11

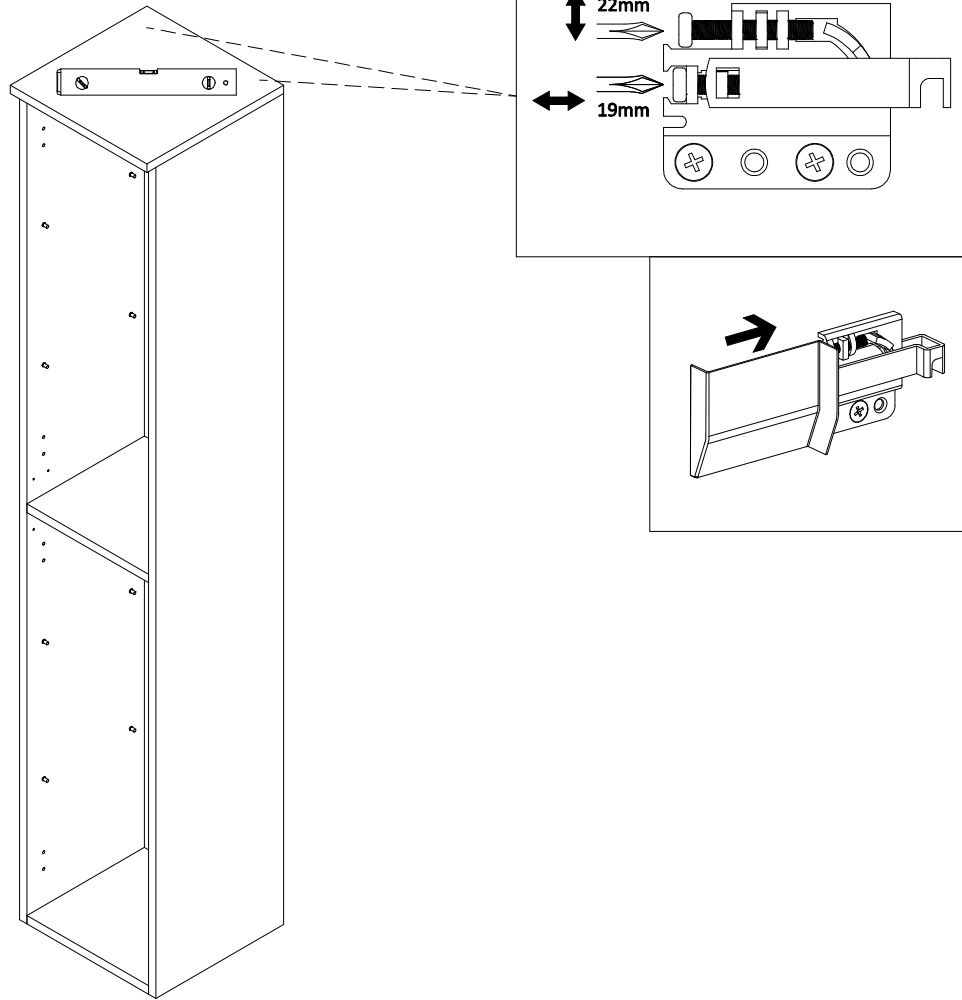


PC	R
2x	4x
1	×
2	○

12



13



14

