

# MONTAGEANLEITUNG

Artikelnummer: N616P397089

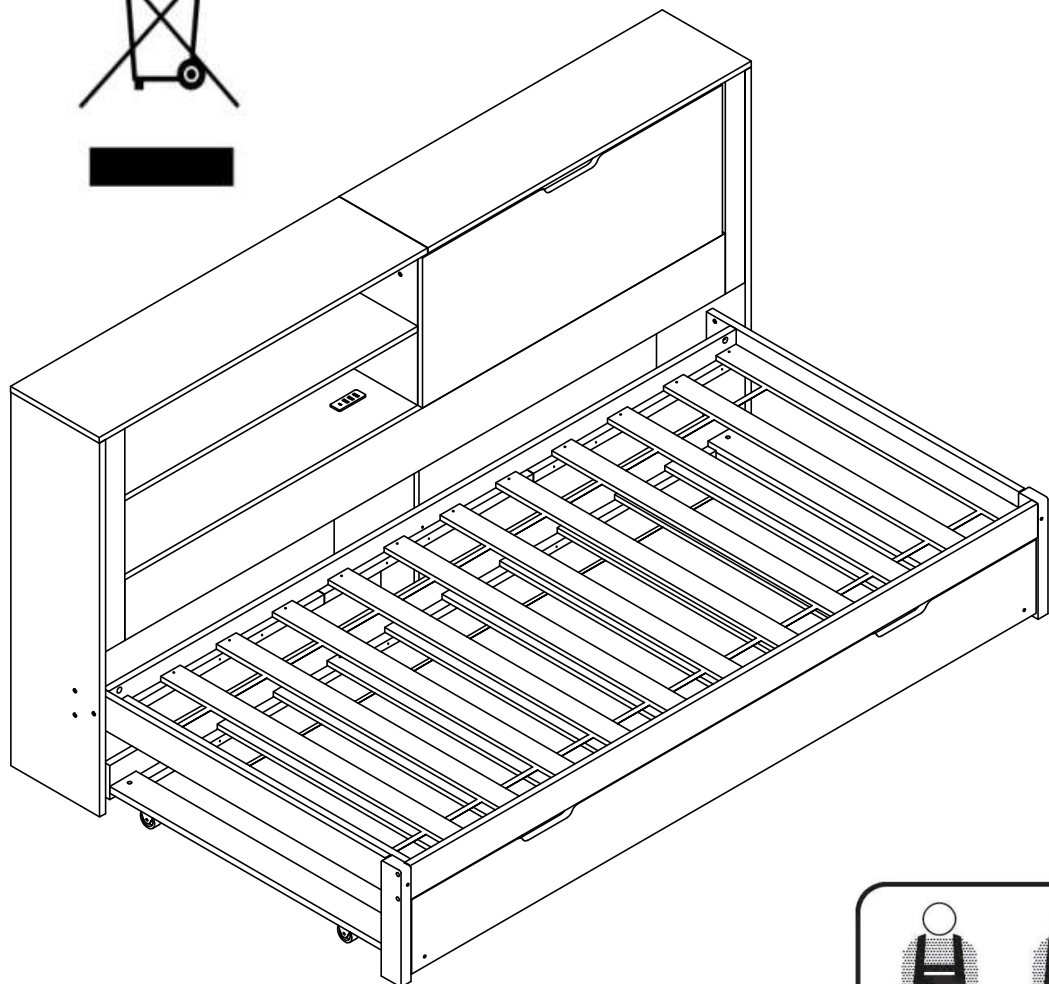
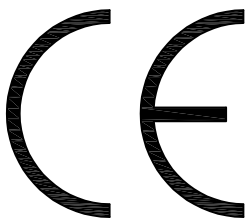
N616P397090

N616P397091

Dieses Set ist in 3 Boxen enthalten. Wenn Sie keine vollen 3 Boxen erhalten, wenden Sie sich bitte an unseren Kundenservice.

Please Kindly Note that the product comes in three separate boxes may arrive on different days.

Regalbett 191x90cm



FR

Cet appareil,  
ses cordons,  
et batterie  
se recyclent

À DÉPOSER  
EN MAGASIN

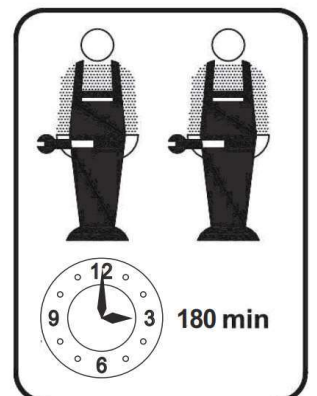


À DÉPOSER  
EN DÉCHÈTERIE



OU

Points de collecte sur [www.quefairedemesdechets.fr](http://www.quefairedemesdechets.fr)  
Privilégiez la réparation ou le don de votre appareil !



## English

### IMPORTANT ! KEEP FOR FUTURE REFERENCE : READ CAREFULLY

- To be assembled by an adult. Assembly must be checked by an adult before use
- WARNING ! Keep all screws, small parts and plastic bags out of the reach of children
- Properly identify all parts before assembling
- Never use your item if any of its parts are broken or missing
- Should any problems arise, please contact our After Sales Service
- Manufacturer's instructions shall be followed at all times
- Care: Clean with a soft, dry cloth. In case of larger stains, carefully rub with a slightly damp, non-abrasive sponge
- Avoid the risk of fire by not placing furniture near sources of ignition or hot items
- Do not jump on the bed

## Deutsch

### WICHTIG ! ZUM SPÄTEREN NACHSCHLAGEN AUFBEWAHREN: SORGFÄLTIG LESEN

- Muss von einem Erwachsenen zusammengebaut werden. Der Zusammenbau muss vor dem Gebrauch von einem Erwachsenen überprüft werden
- WARNUNG! Bewahren Sie alle Schrauben, Kleinteile und Plastikbeutel außerhalb der Reichweite von Kindern auf
- Kennzeichnen Sie vor dem Zusammenbau alle Teile richtig
- Benutzen Sie Ihren Artikel niemals, wenn Teile gebrochen sind oder fehlen
- Sollten Probleme auftreten, wenden Sie sich bitte an unseren Kundendienst
- Die Anweisungen des Herstellers sind stets zu befolgen
- Pflege: Mit einem weichen, trockenen Tuch reinigen. Bei größeren Flecken vorsichtig mit einem leicht feuchten, nicht scheuernden Schwamm abreiben. nicht scheuernden Schwamm
- Vermeiden Sie die Gefahr eines Brandes, indem Sie die Möbel nicht in der Nähe von Zündquellen oder heißen Gegenständen aufstellen
- Nicht auf das Bett springen

## Français

### IMPORTANT ! CONSERVER POUR RÉFÉRENCE ULTÉRIEURE : LIRE ATTENTIVEMENT

- Le montage doit être effectué par un adulte. Le montage doit être vérifié par un adulte avant Utilisation
- ATTENTION ! Tenir les vis, les petites pièces et les sachets en plastique hors de portée des enfants
- Identifiez correctement toutes les pièces avant de les assembler
- N'utilisez jamais votre article si l'une de ses pièces est cassée ou manquante
- En cas de problème, veuillez contacter notre service après-vente
- Les instructions du fabricant doivent être respectées à tout moment
- Entretien : nettoyer avec un chiffon doux et sec. En cas de taches plus importantes, frotter soigneusement avec une éponge non abrasive légèrement humide. légèrement humide et non Abrasive
- Évitez les risques d'incendie en ne plaçant pas les meubles à proximité de sources d'inflammation ou d'objets chauds
- Ne pas sauter sur le lit

**Italiano**

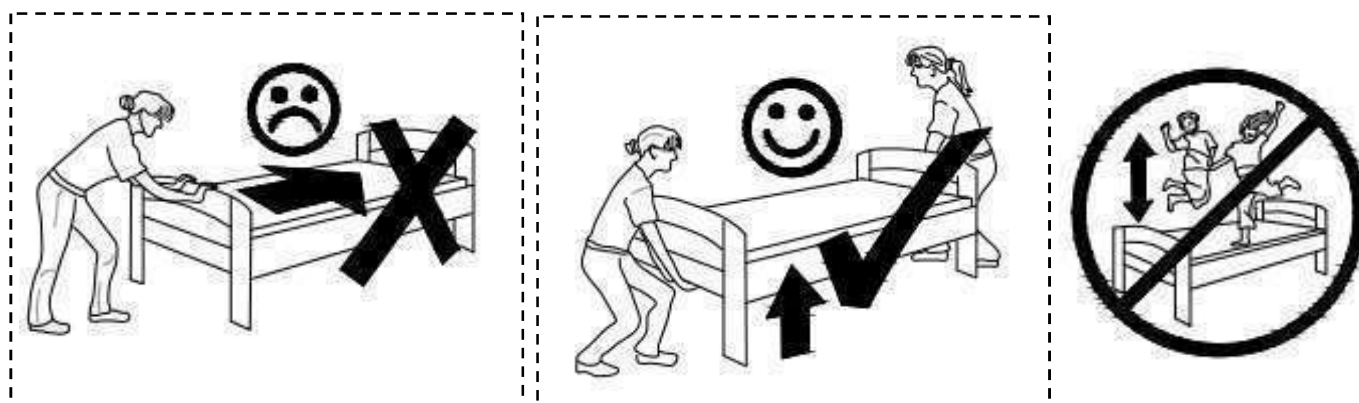
**IMPORTANTE! CONSERVARE PER RIFERIMENTO FUTURO: LEGGERE ATTENTAMENTE**

- Deve essere assemblato da un adulto. L'assemblaggio deve essere controllato da un adulto prima dell'uso
- **ATTENZIONE!** Tenere tutte le viti, le piccole parti e i sacchetti di plastica fuori dalla portata dei bambini
- Identificare correttamente tutte le parti prima dell'assemblaggio
- Non utilizzare mai l'articolo se alcune parti sono rotte o mancanti
- In caso di problemi, si prega di contattare il nostro Servizio Post Vendita
- Le istruzioni del produttore devono essere sempre seguite
- Cura: Pulire con un panno morbido e asciutto. In caso di macchie più estese, strofinare accuratamente con una spugna leggermente umida e nonspugna leggermente umida e non abrasiva
- Evitare il rischio di incendio, non collocando i mobili vicino a fonti di accensione o a oggetti caldi
- Non saltare sul letto

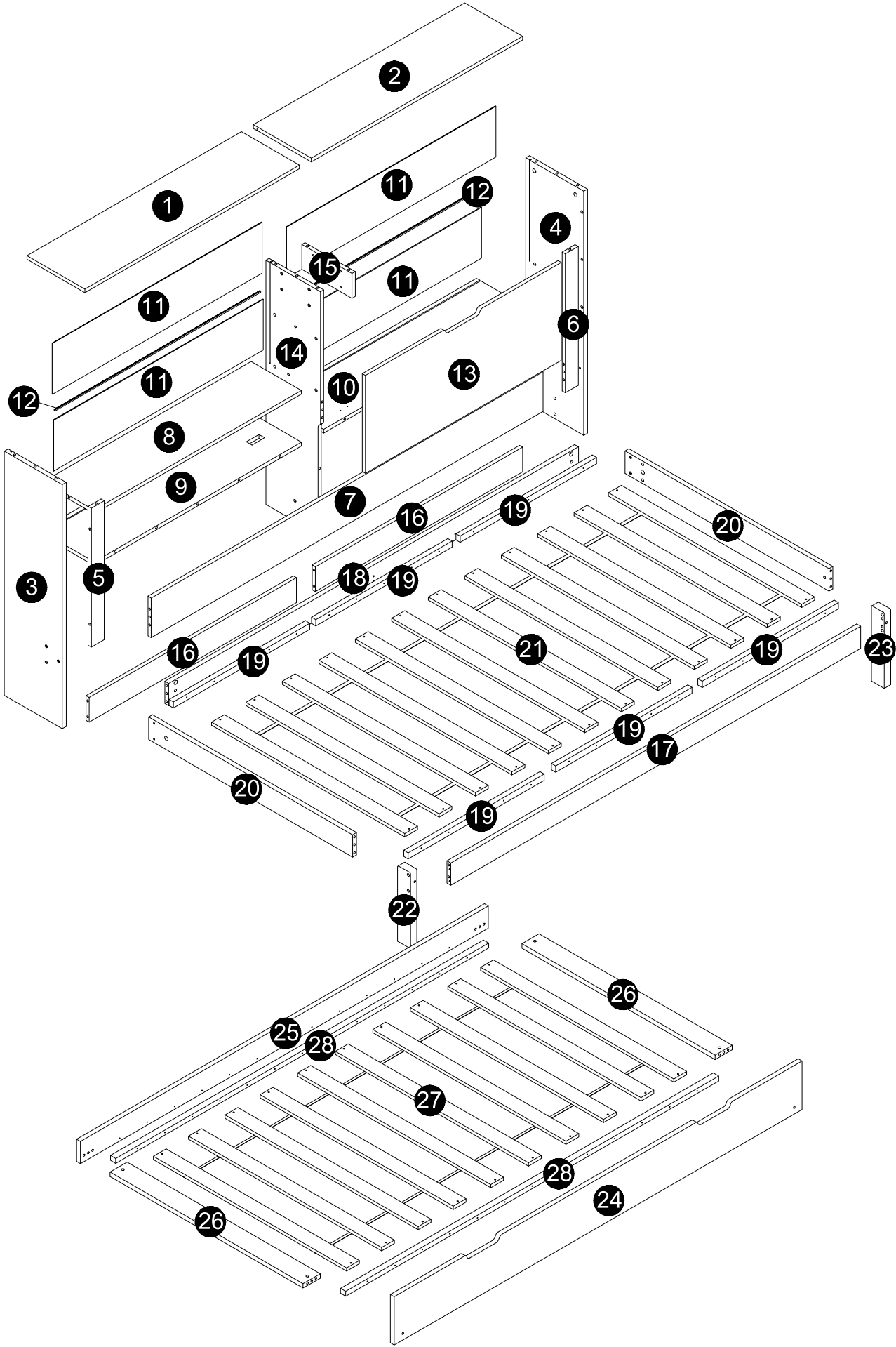
**Español**

**¡ IMPORTANTE ! CONSERVELO PARA FUTURAS CONSULTAS: LEA ATENTAMENTE**

- Debe ser montado por un adulto. El montaje debe ser comprobado por un adulto antes del uso
- ADVERTENCIA Mantenga todos los tornillos, piezas pequeñas y bolsas de plástico fuera del alcance de los niños.
- Identifique correctamente todas las piezas antes de montarlas
  - Nunca utilice su artículo si alguna de sus piezas está rota o falta
  - Si surge algún problema, póngase en contacto con nuestro Servicio Postventa
  - Las instrucciones del fabricante deben seguirse en todo momento
  - Cuidado: Limpiar con un paño suave y seco. En caso de manchas más grandes, frote cuidadosamente con una esponja no abrasiva ligeramente humedecida.
  - Evite el riesgo de incendio no colocando los muebles cerca de fuentes de ignición u objetos calientes.
  - No saltar sobre la cama.

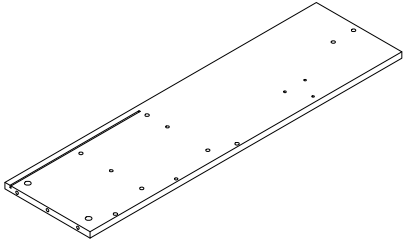


# Stückliste

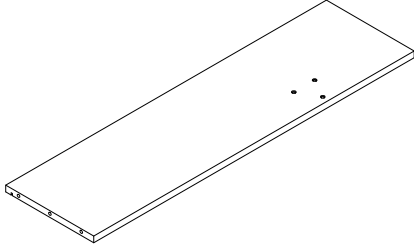


# N616P397089

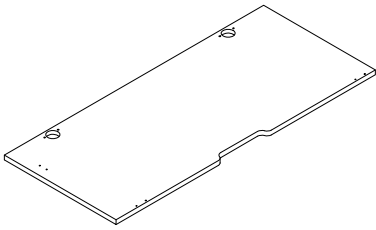
3 X1



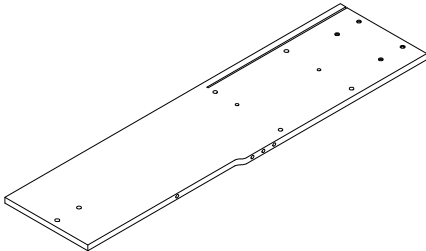
4 X1



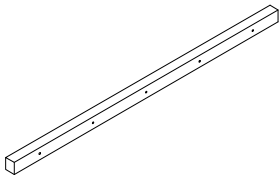
13 X1



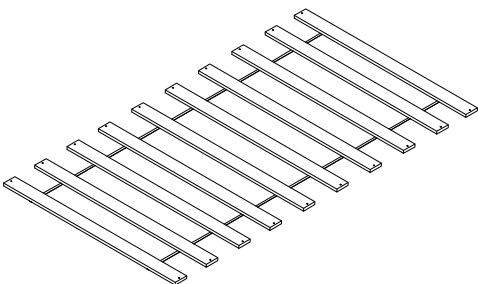
14 X1



19 X6

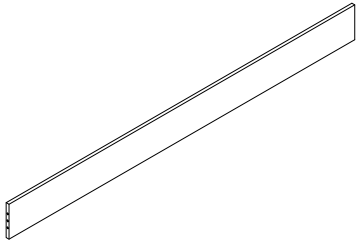


27 X1

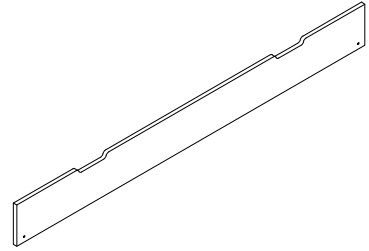


# N616P397090

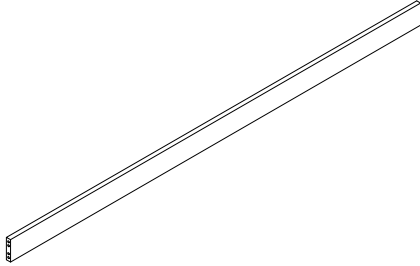
7 X1



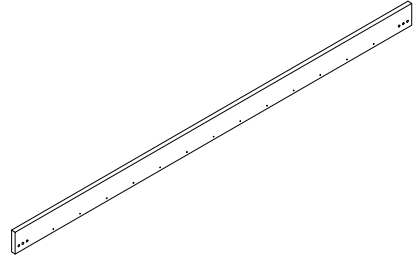
24 X1



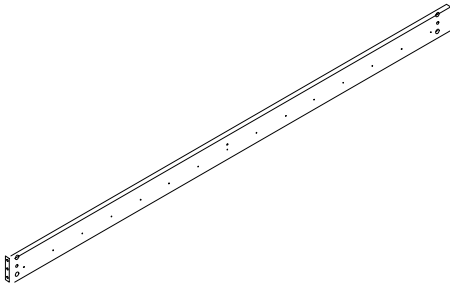
17 X1



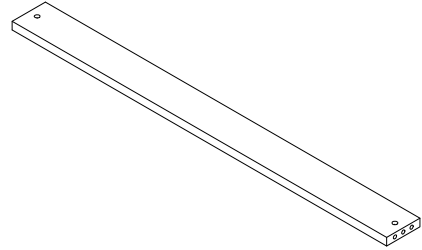
25 X1



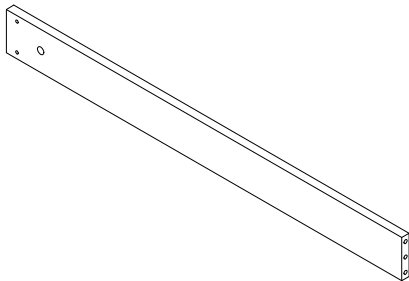
18 X1



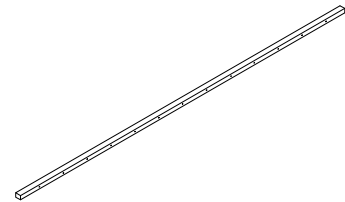
26 X2



20 X2



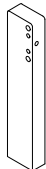
28 X2



22 X1

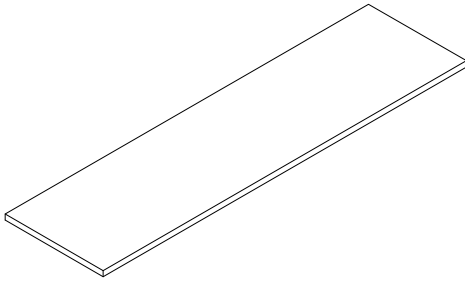


23 X1

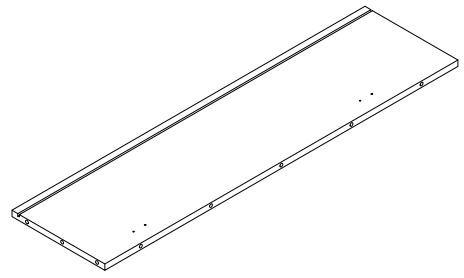


# N616P397091

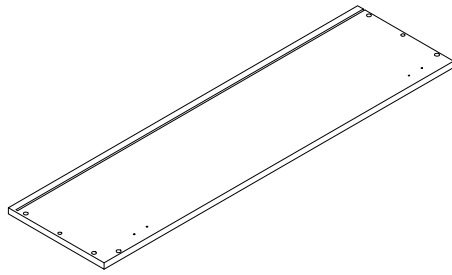
1 X1



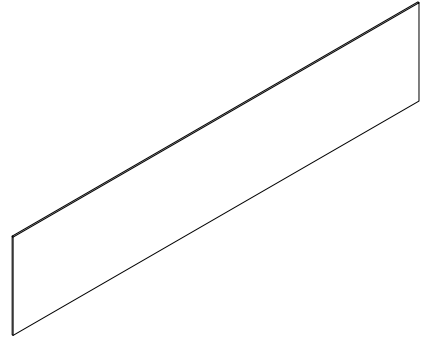
10 X1



2 X1



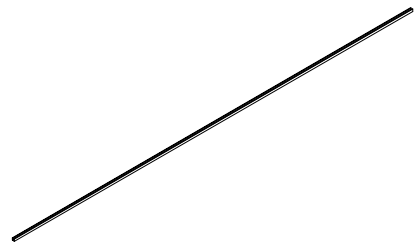
11 X4



5 X1



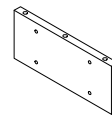
12 X2



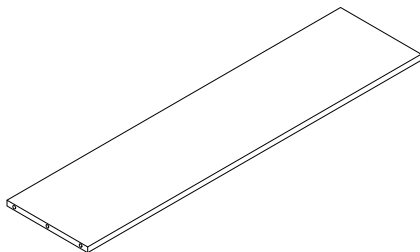
6 X1



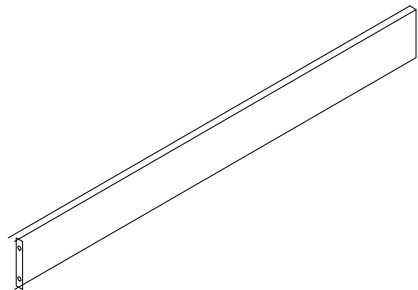
15 X1



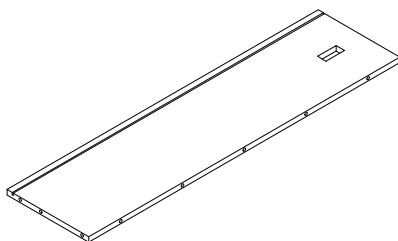
8 X1



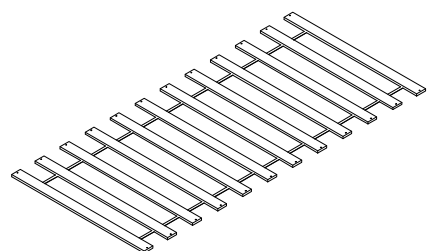
16 X2



9 X1

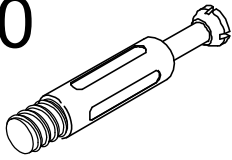


21 X1



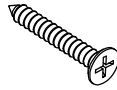
# Hardware-Liste N616P397089

**Ax50**

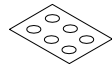


**Kx56**

Ø4x30



**Vx14**

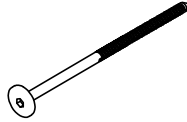


**Bx50**



**Lx4**

Ø6\*120

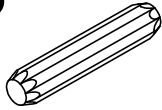


**Wx2**

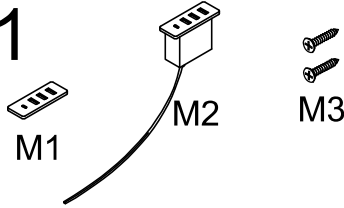


**Cx33**

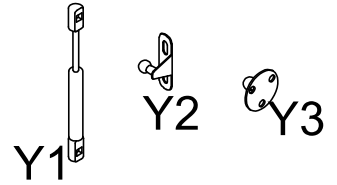
Ø8x40



**Mx1**

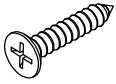


**Yx1**

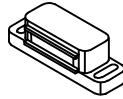


**Dx57**

Ø3.5x14



**Nx2**

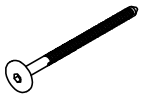


**Zx2**

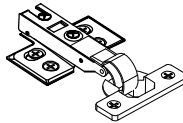


**Ex8**

M6x70



**Px2**



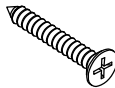
**Fx12**



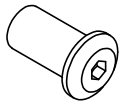
12mm

**Qx44**

Ø3x30



**Gx8**



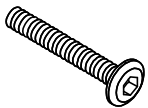
20mm

**Rx16**



**Hx8**

M6x20

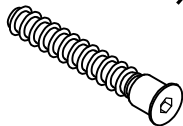


**Sx2**



**Jx1**

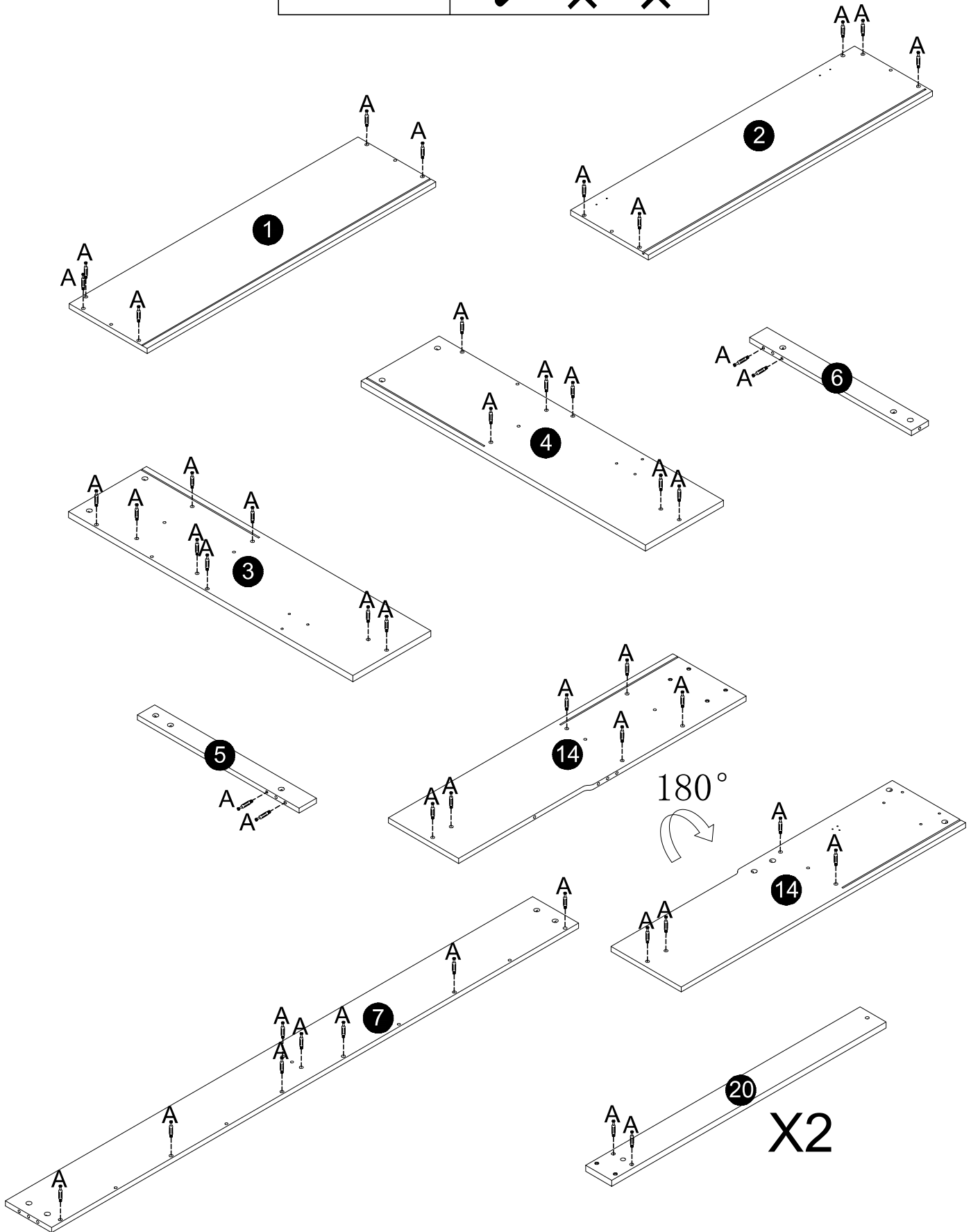
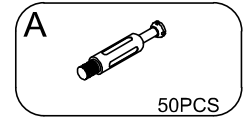
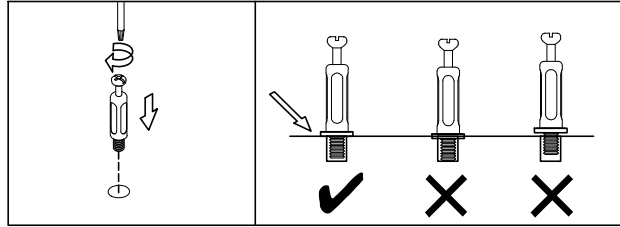
Ø7x50



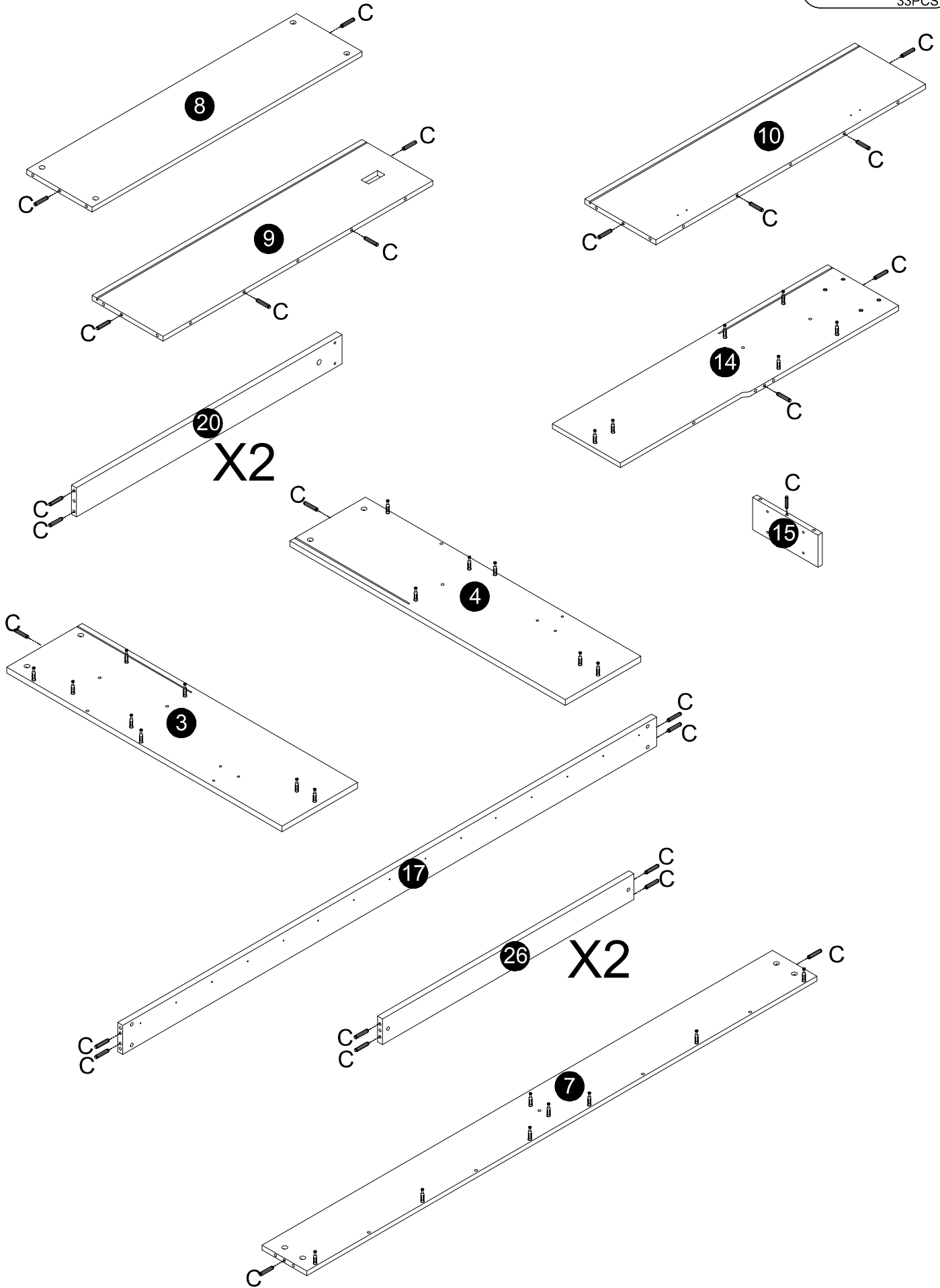
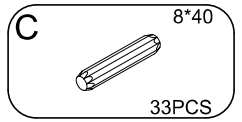
**Tx2**



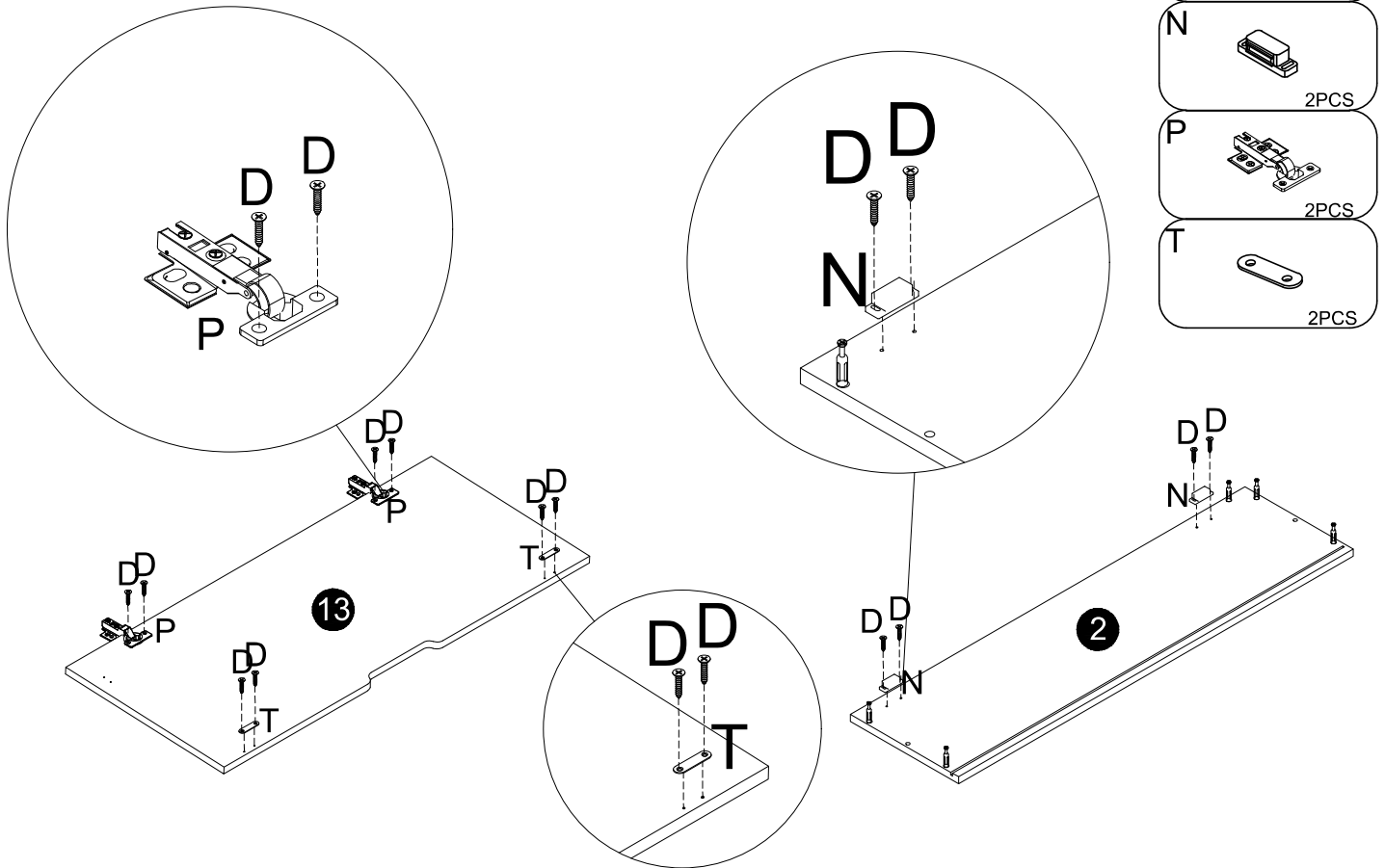
# Schritt 1



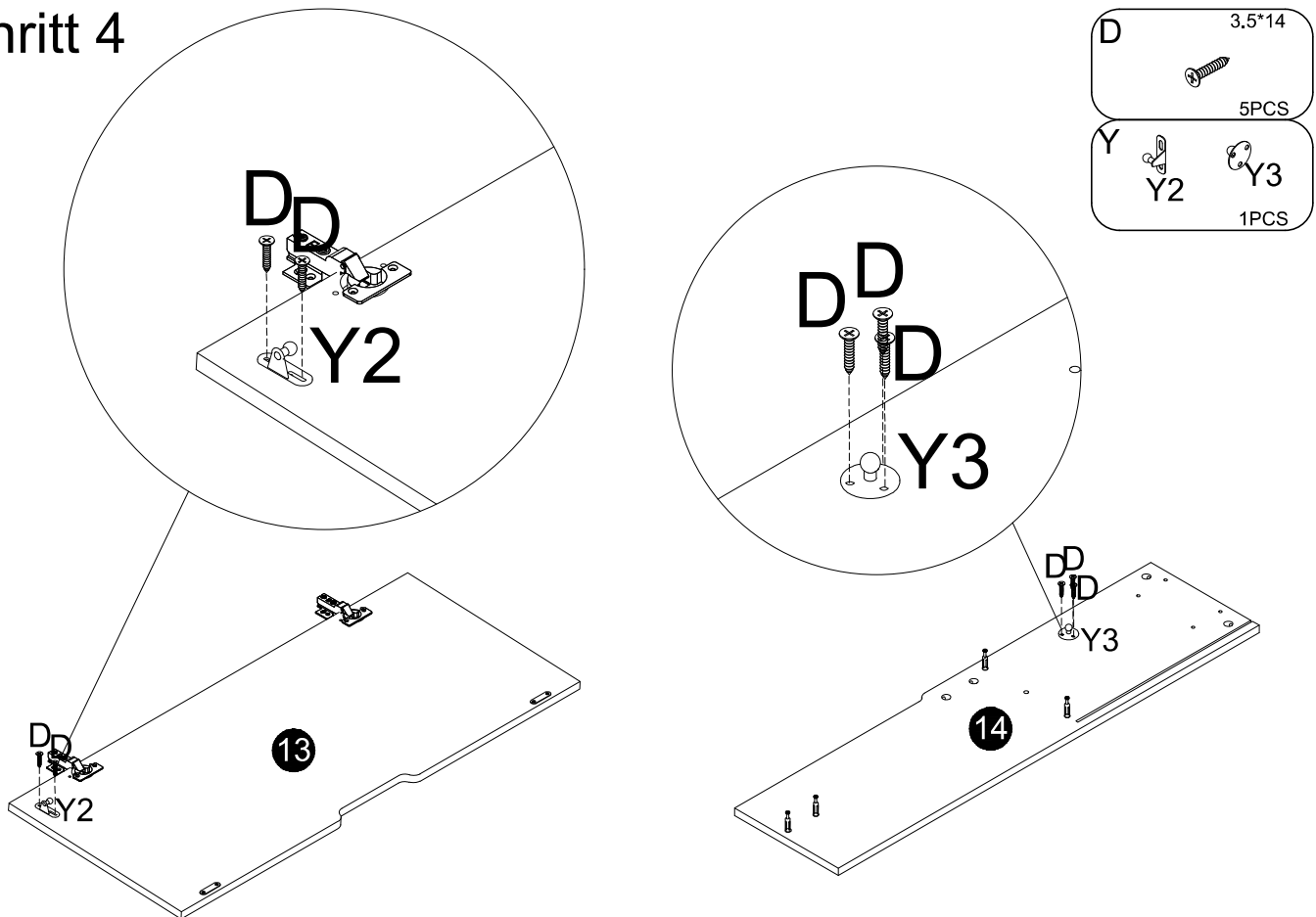
# Schritt 2



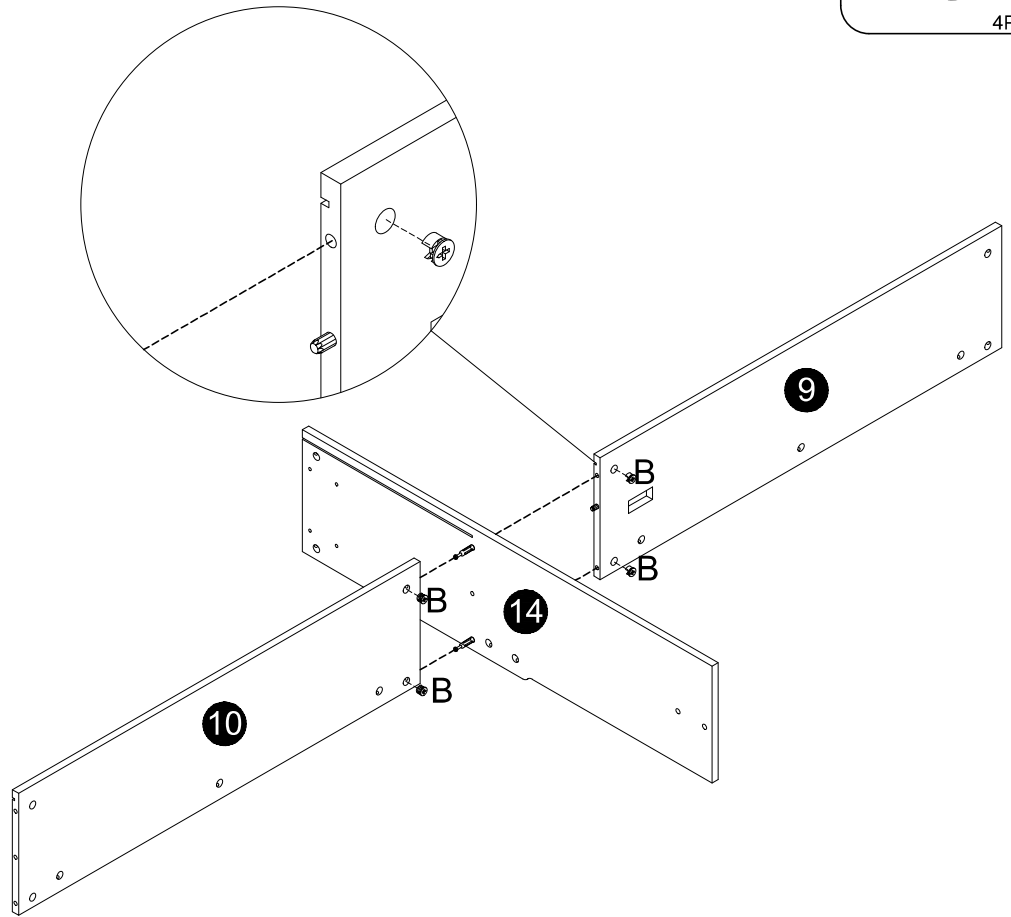
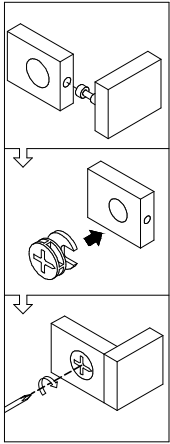
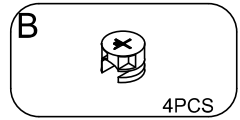
### Schritt 3



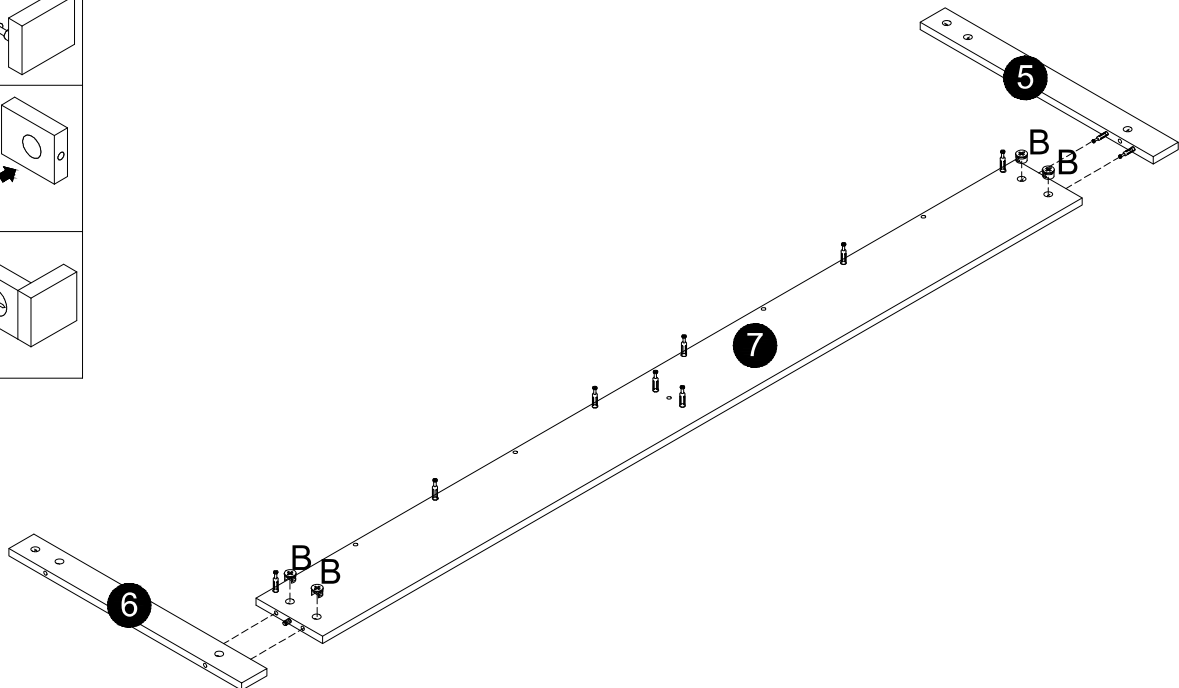
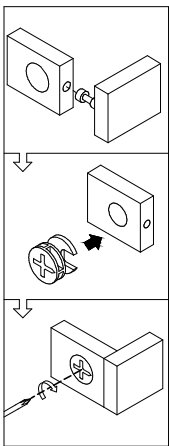
### Schritt 4



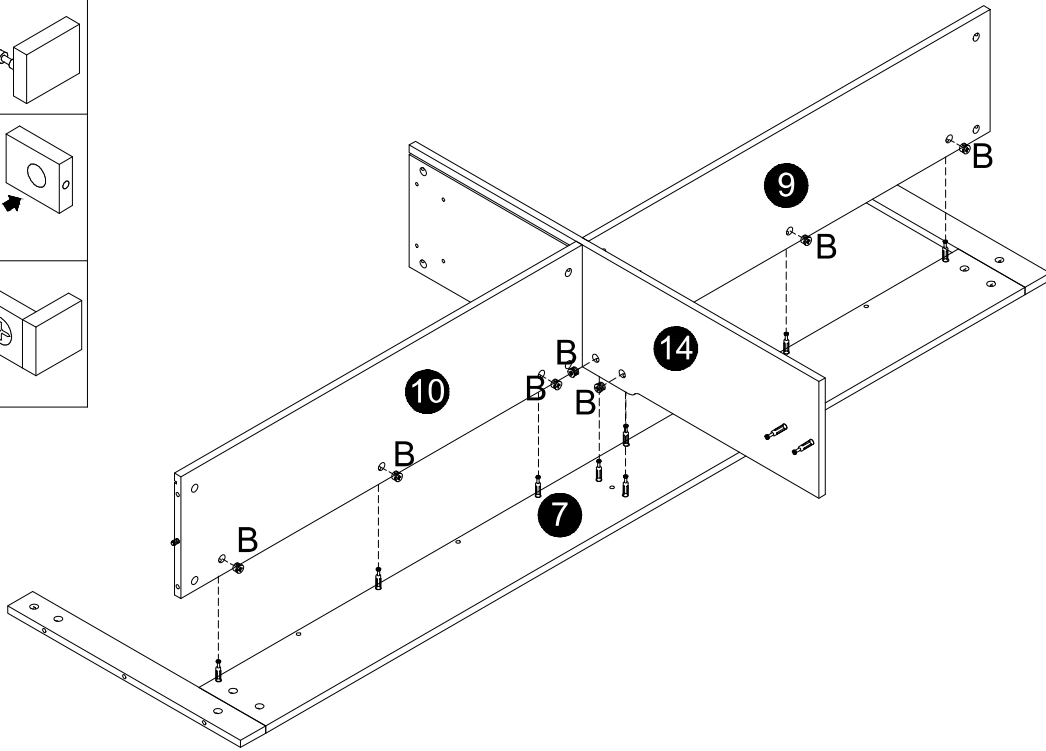
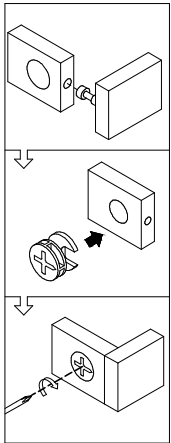
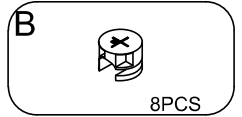
# Schritt 5



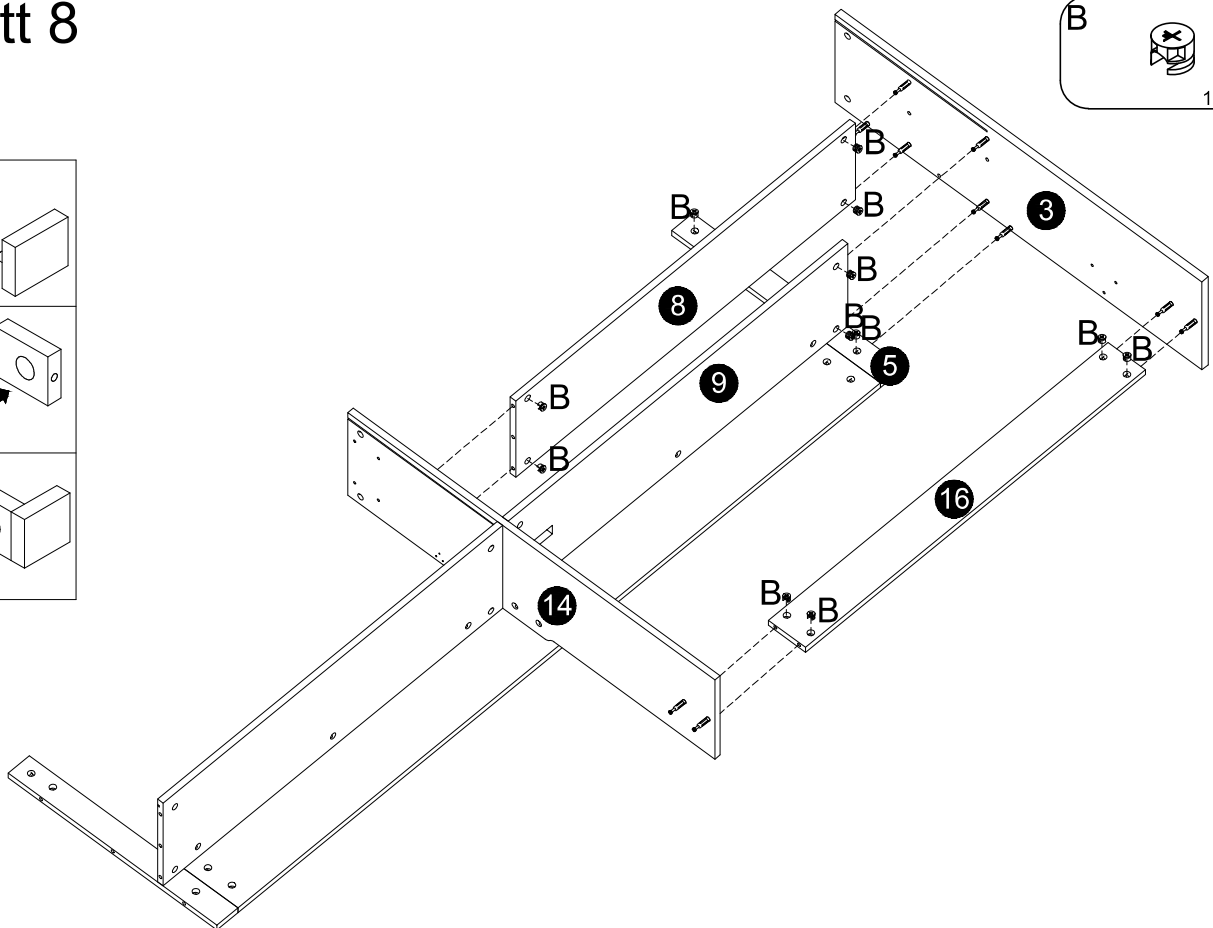
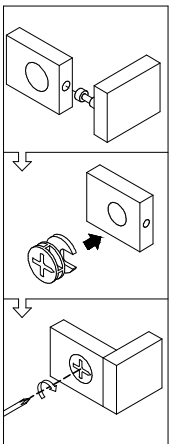
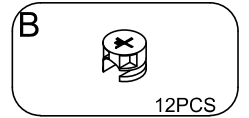
# Schritt 6



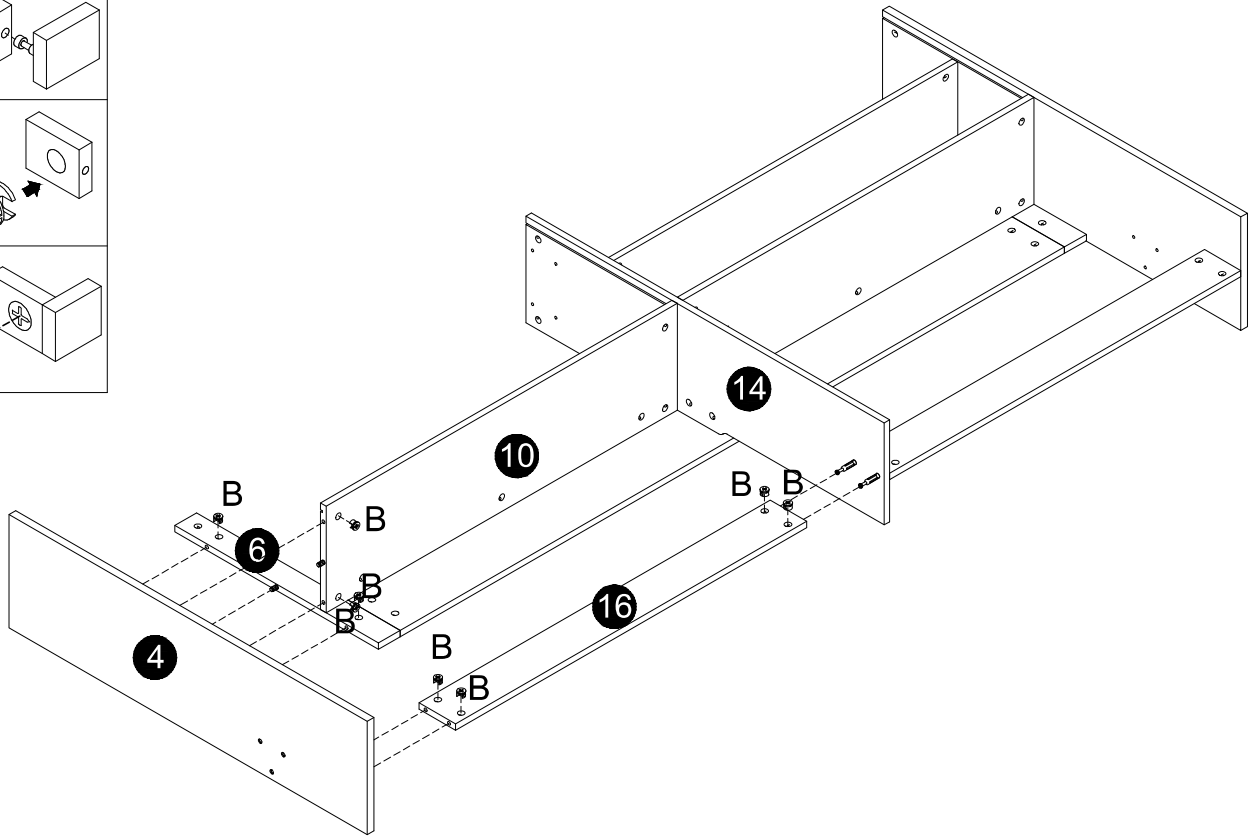
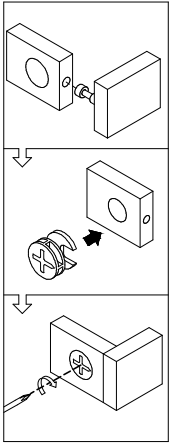
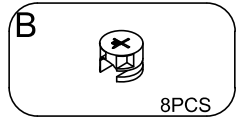
# Schritt 7



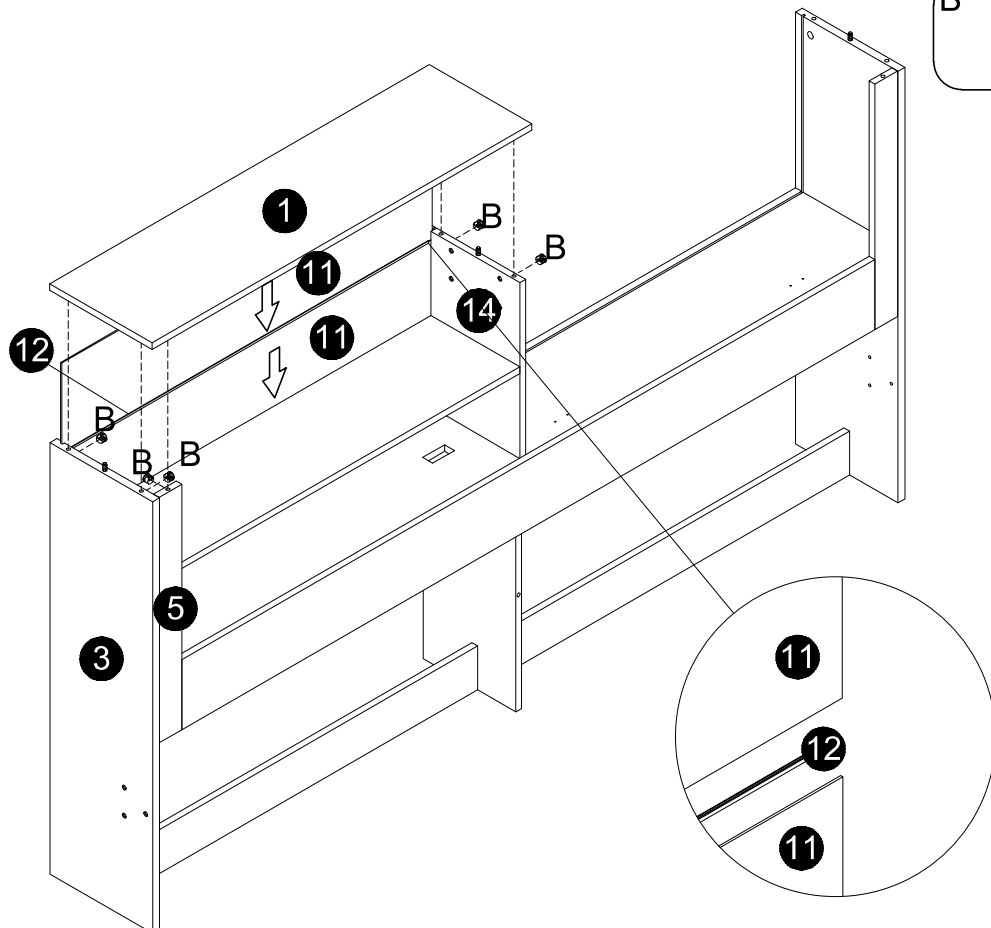
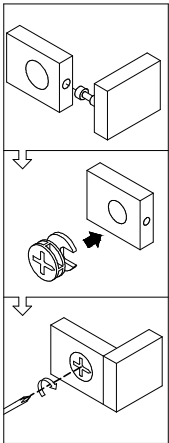
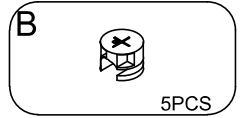
# Schritt 8



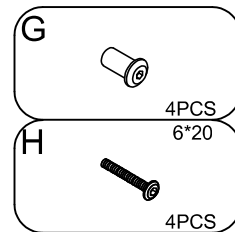
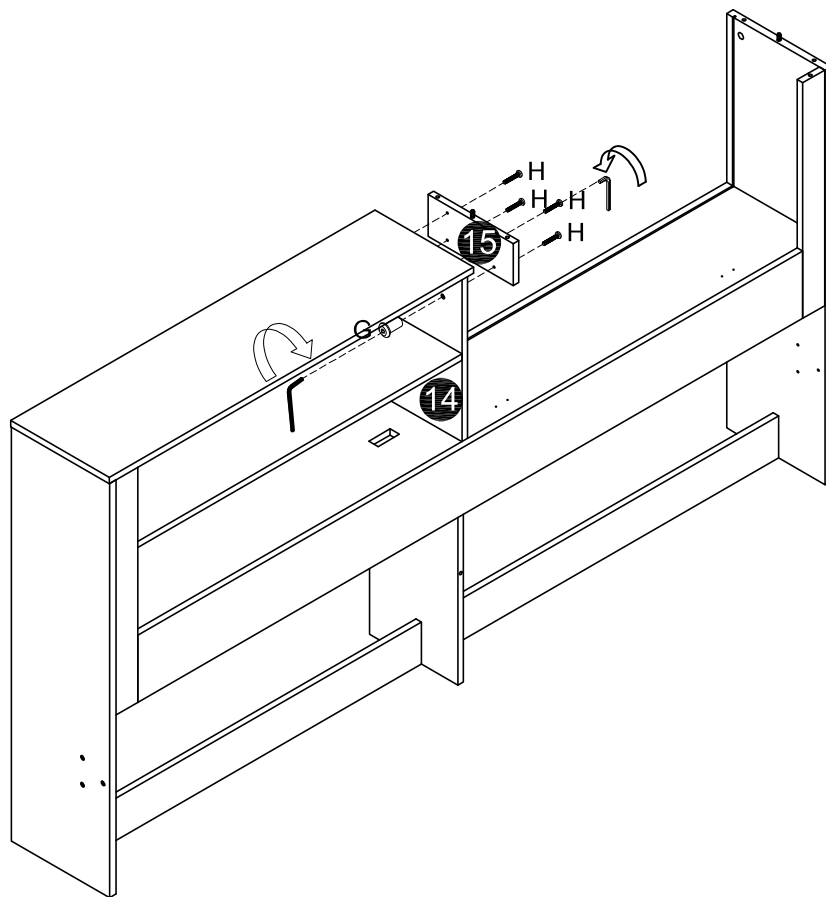
# Schritt 9



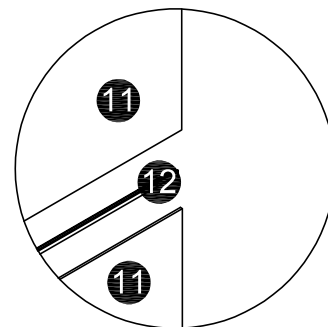
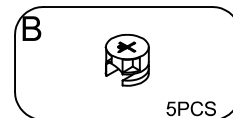
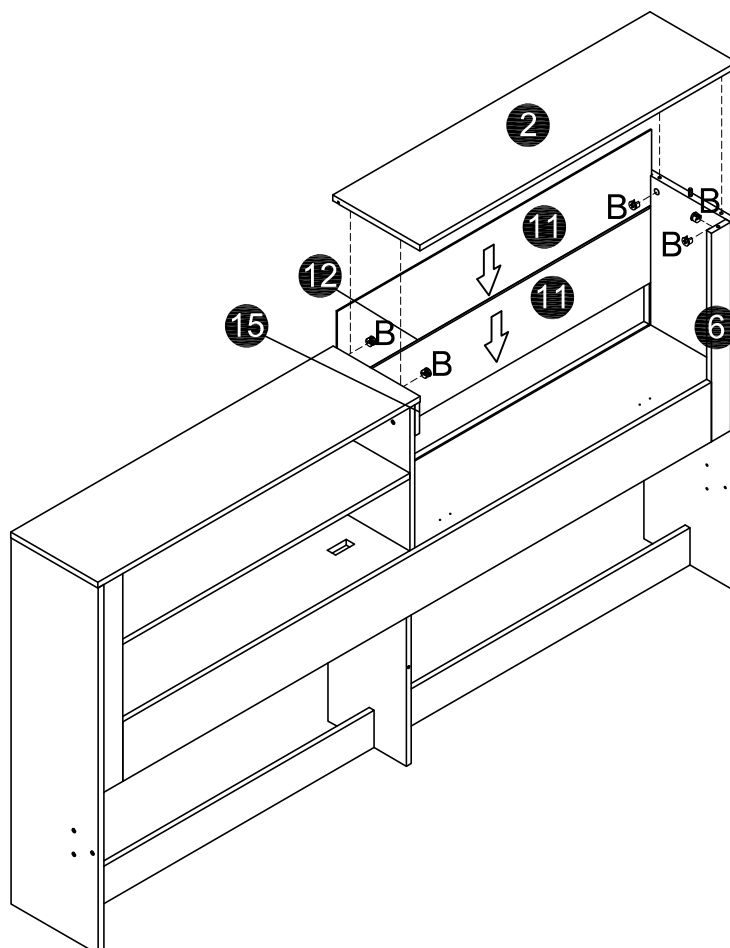
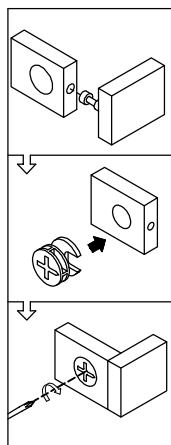
# Schritt 10



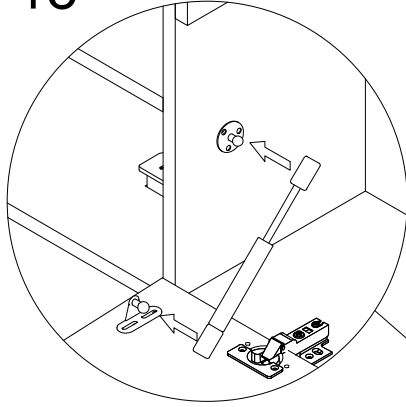
# Schritt 11



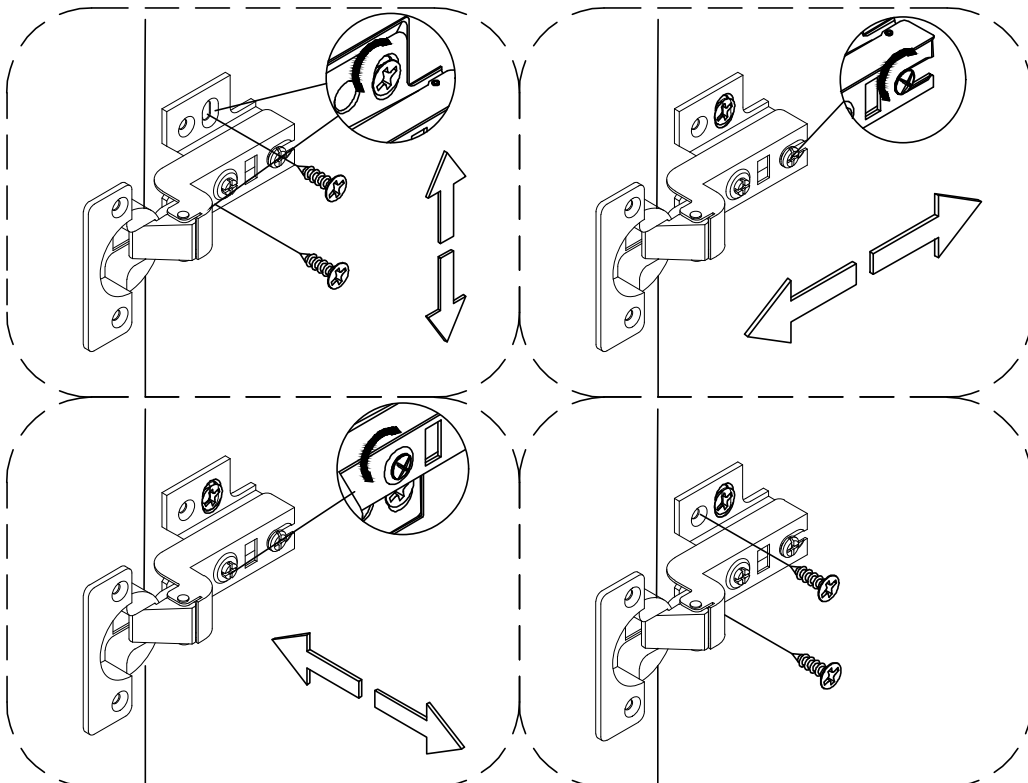
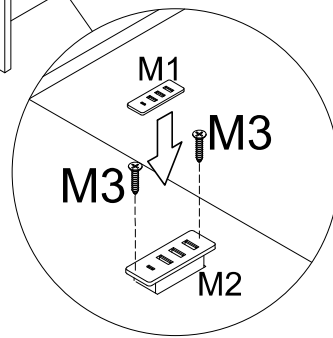
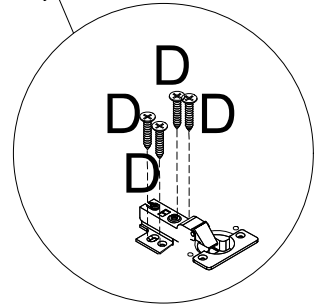
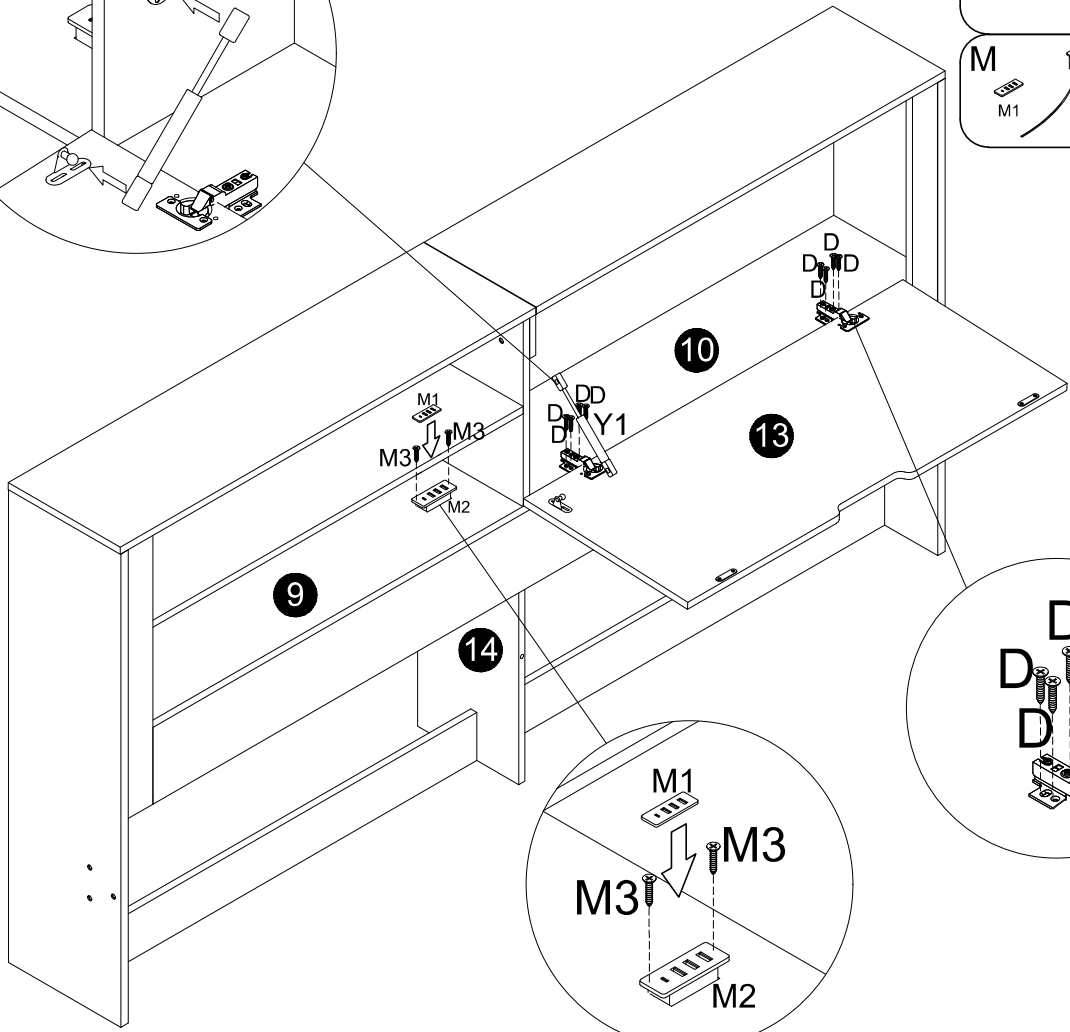
# Schritt 12



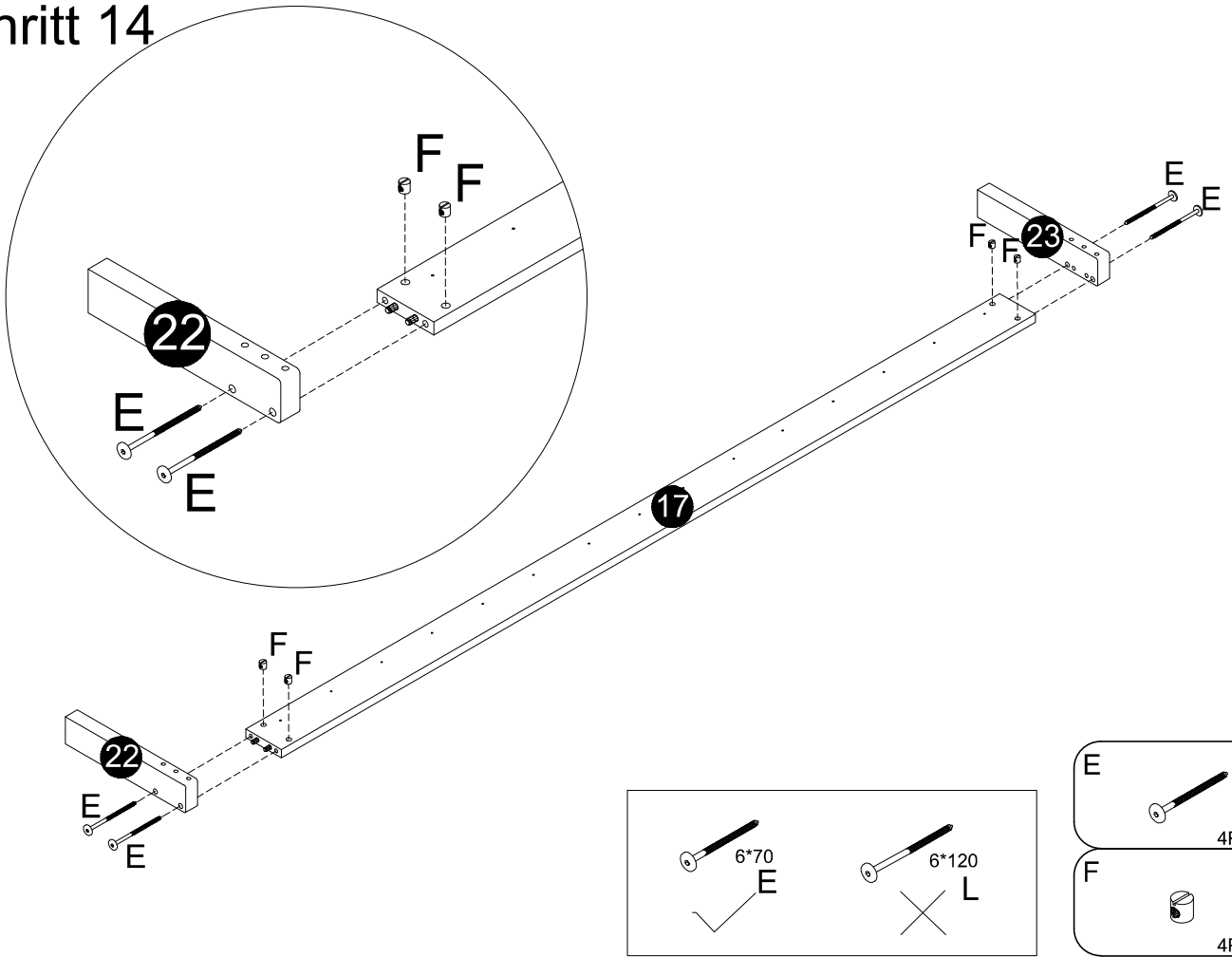
# Schritt 13



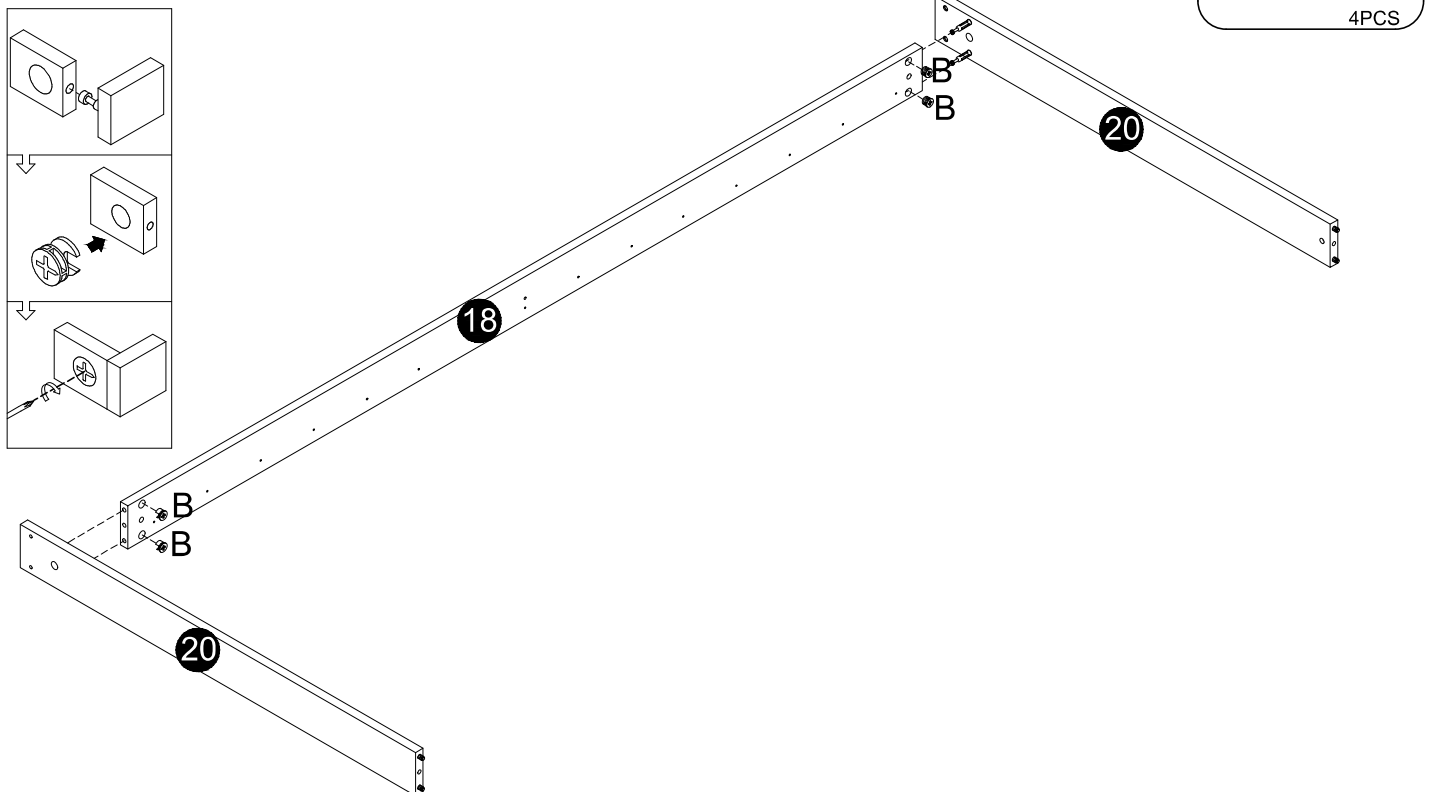
- D** 3,5\*14  
8PCS
- Y1**  
1PCS
- M**  
M1 M2 M3  
1PCS



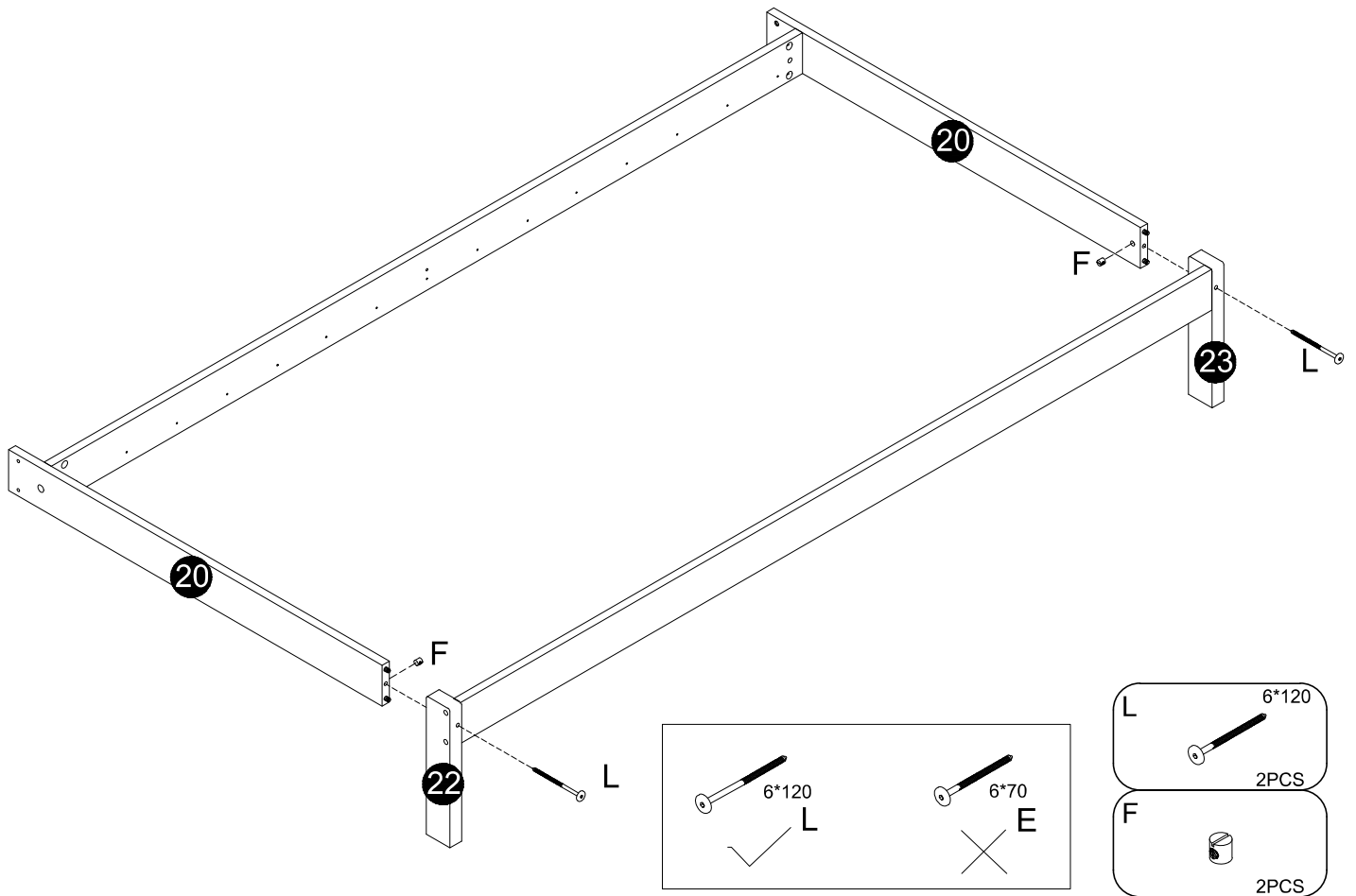
# Schritt 14



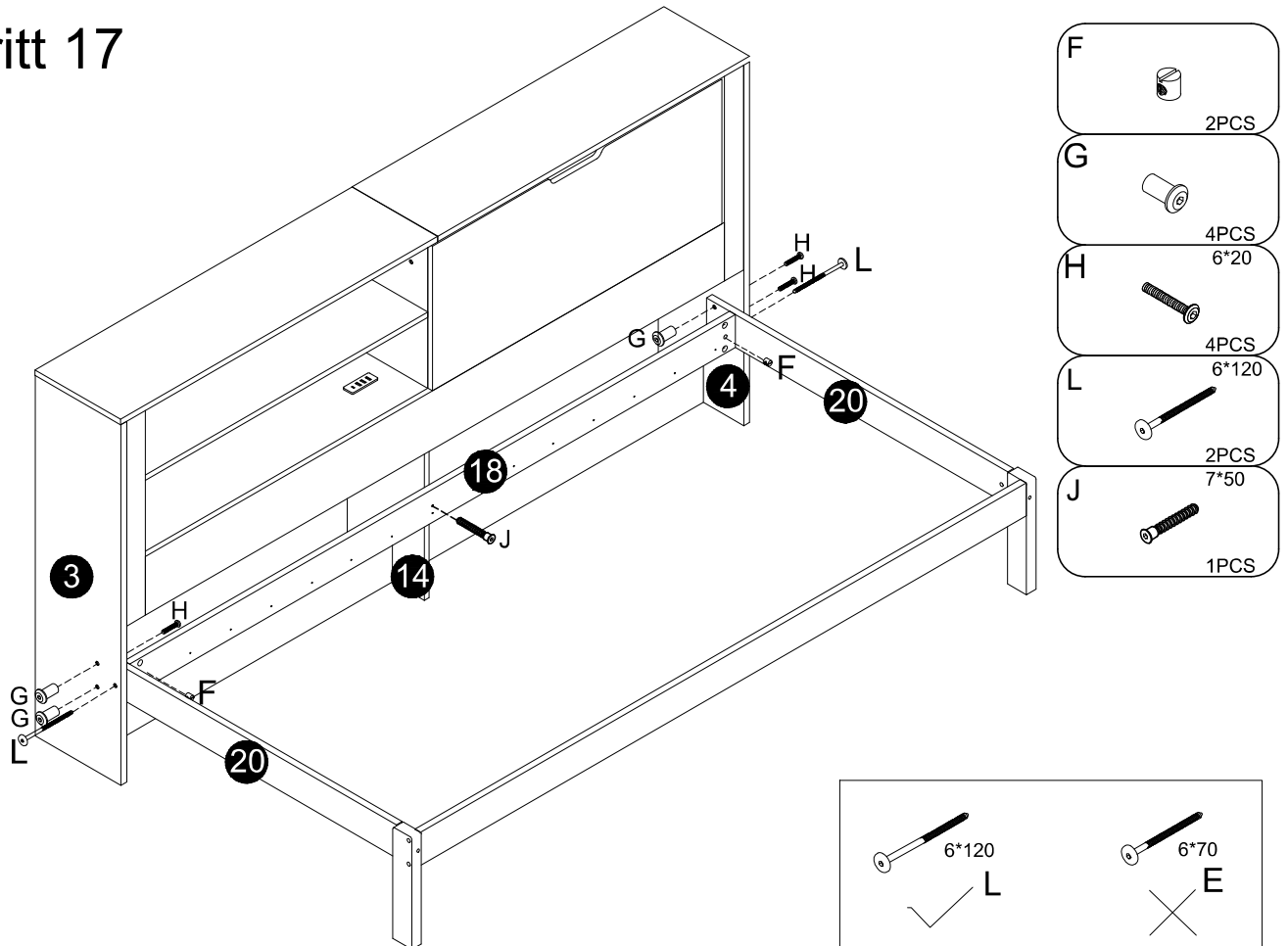
# Schritt 15



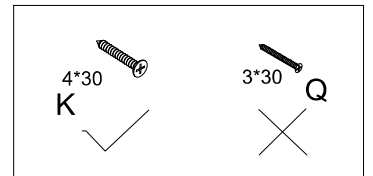
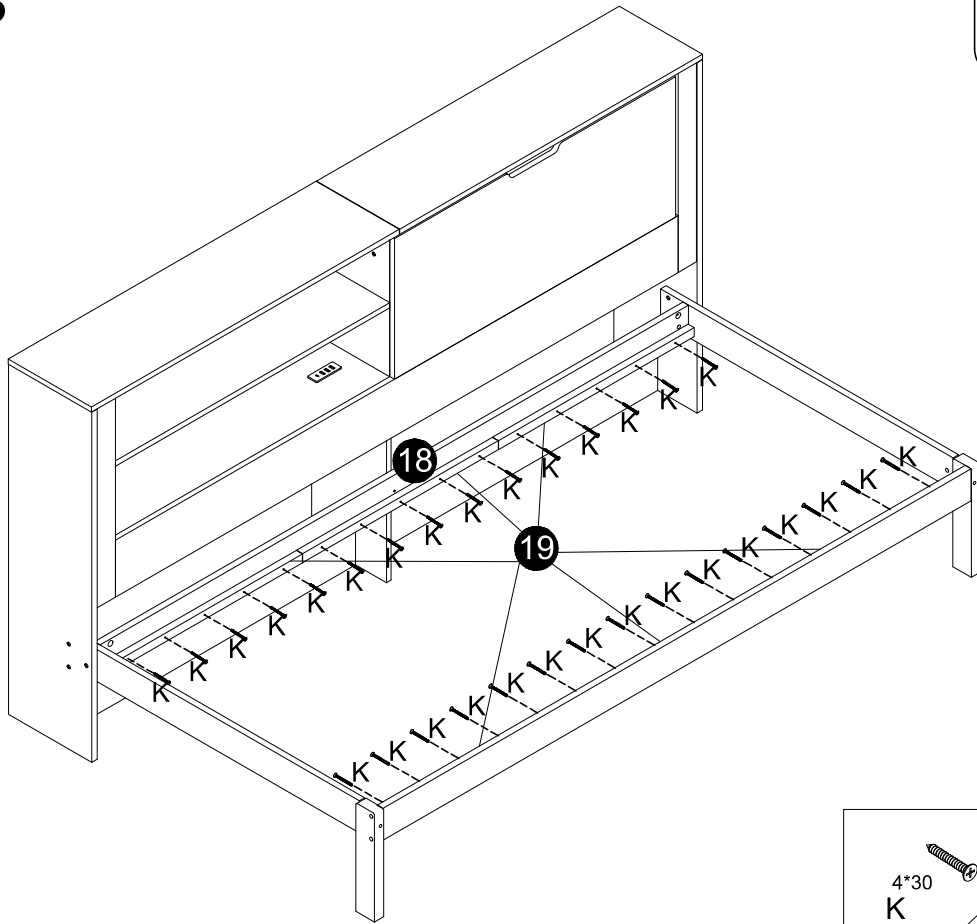
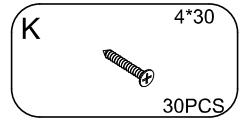
# Schritt 16



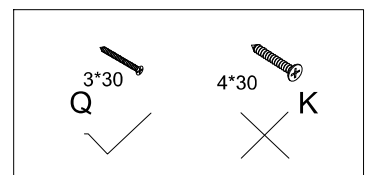
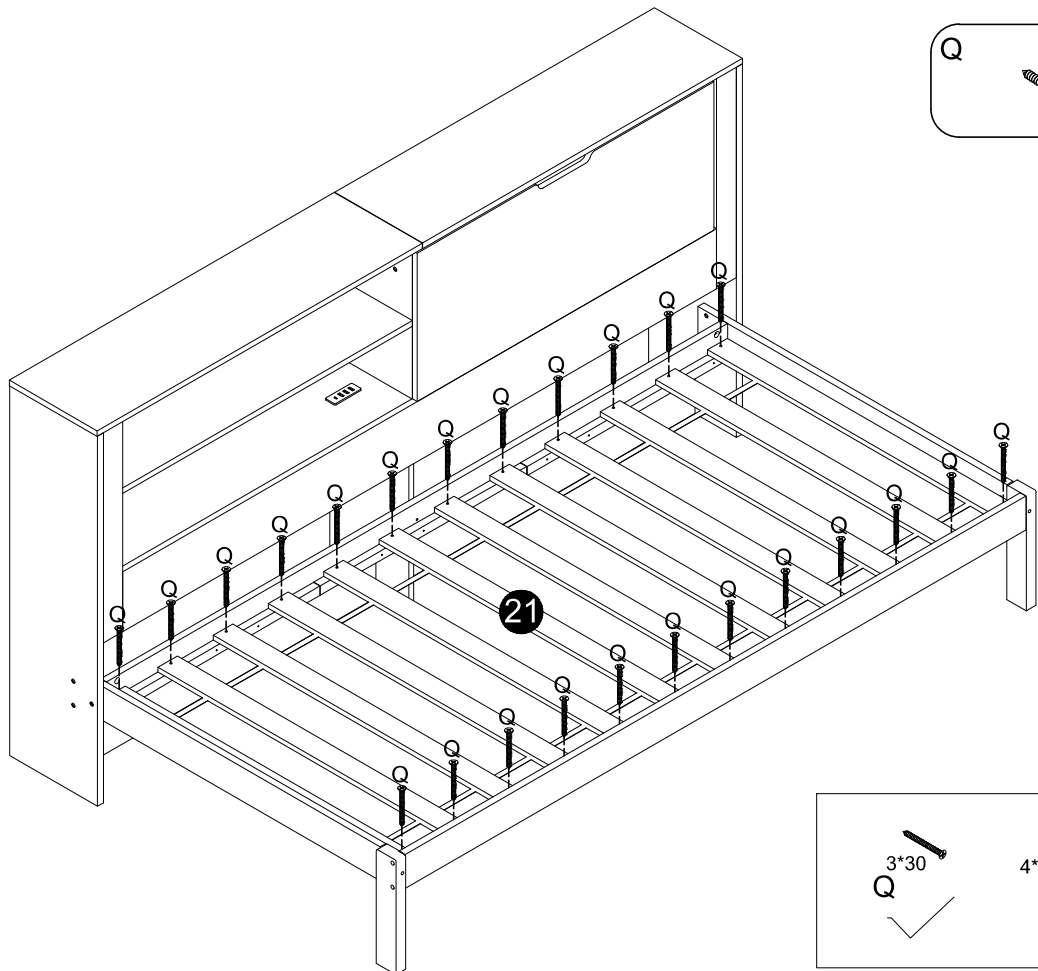
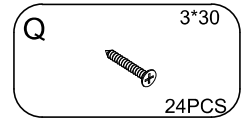
# Schritt 17



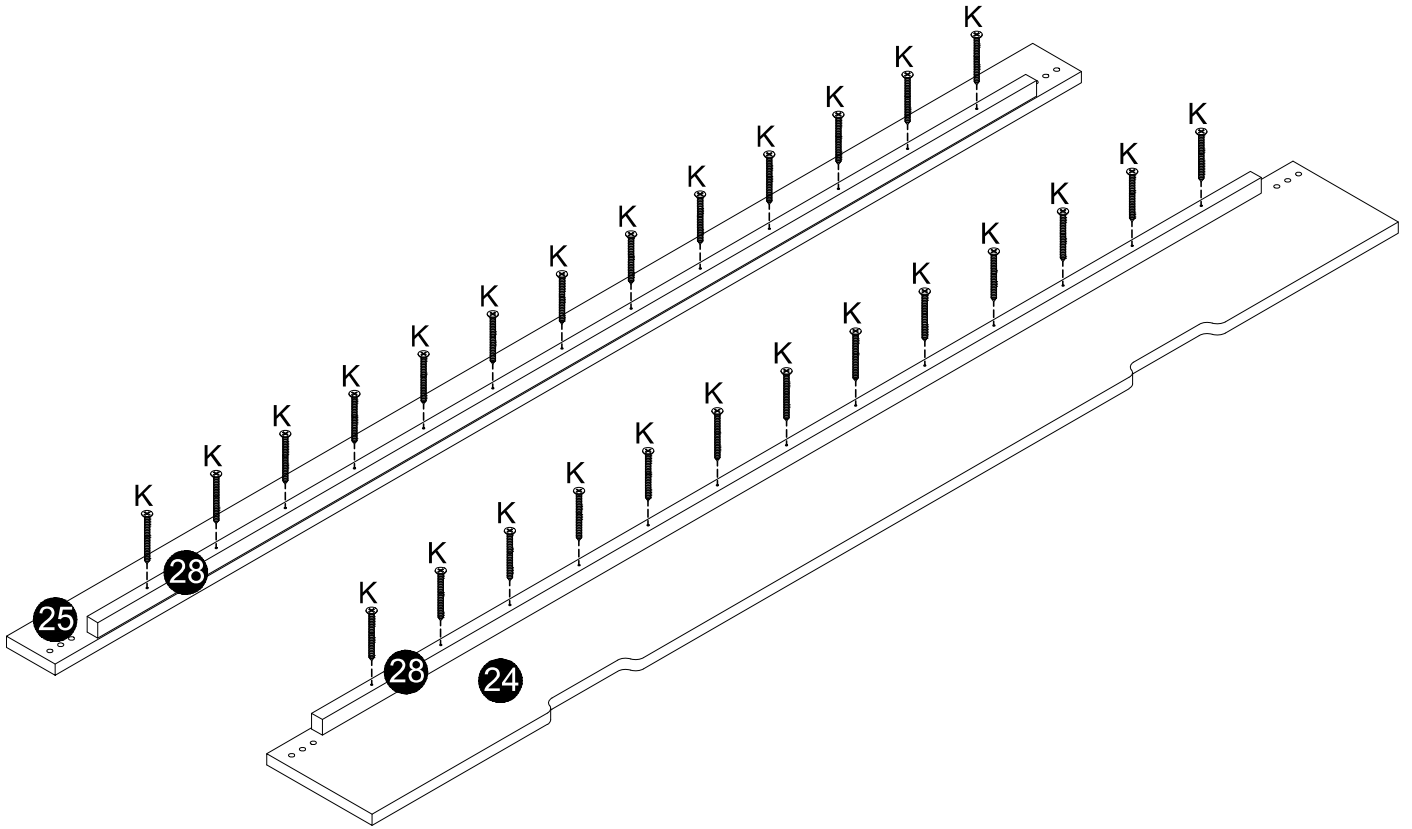
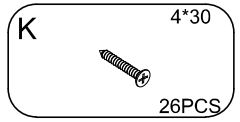
# Schritt 18



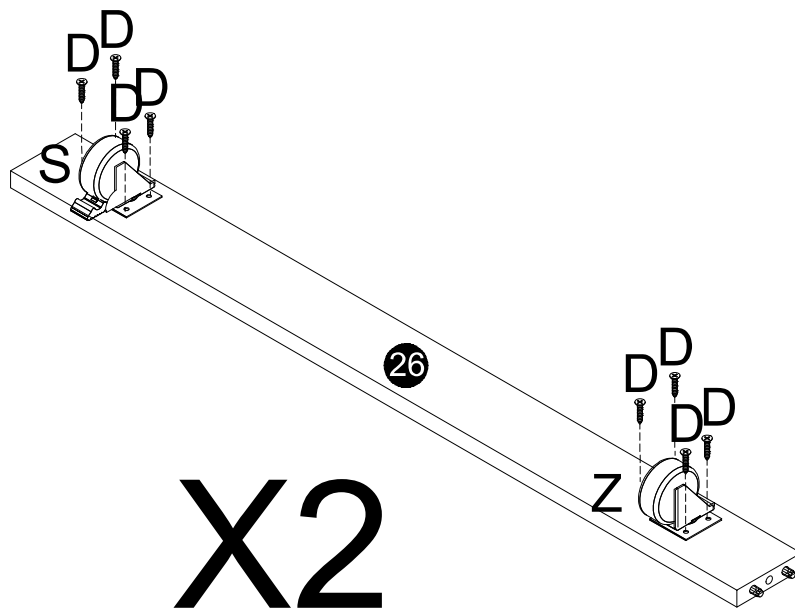
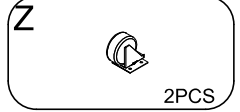
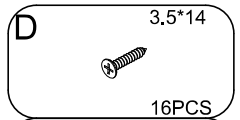
# Schritt 19



# Schritt 20

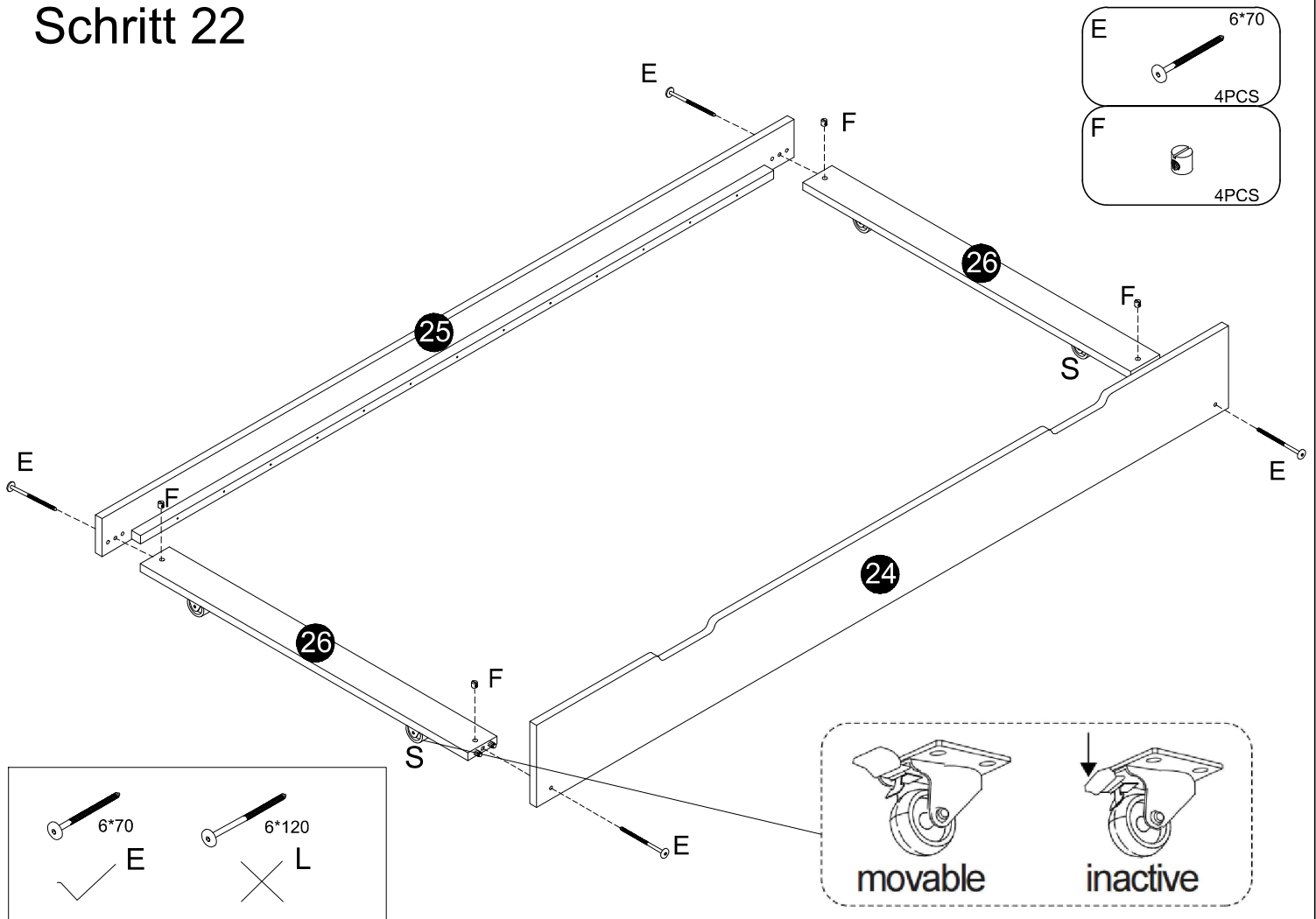


# Schritt 21

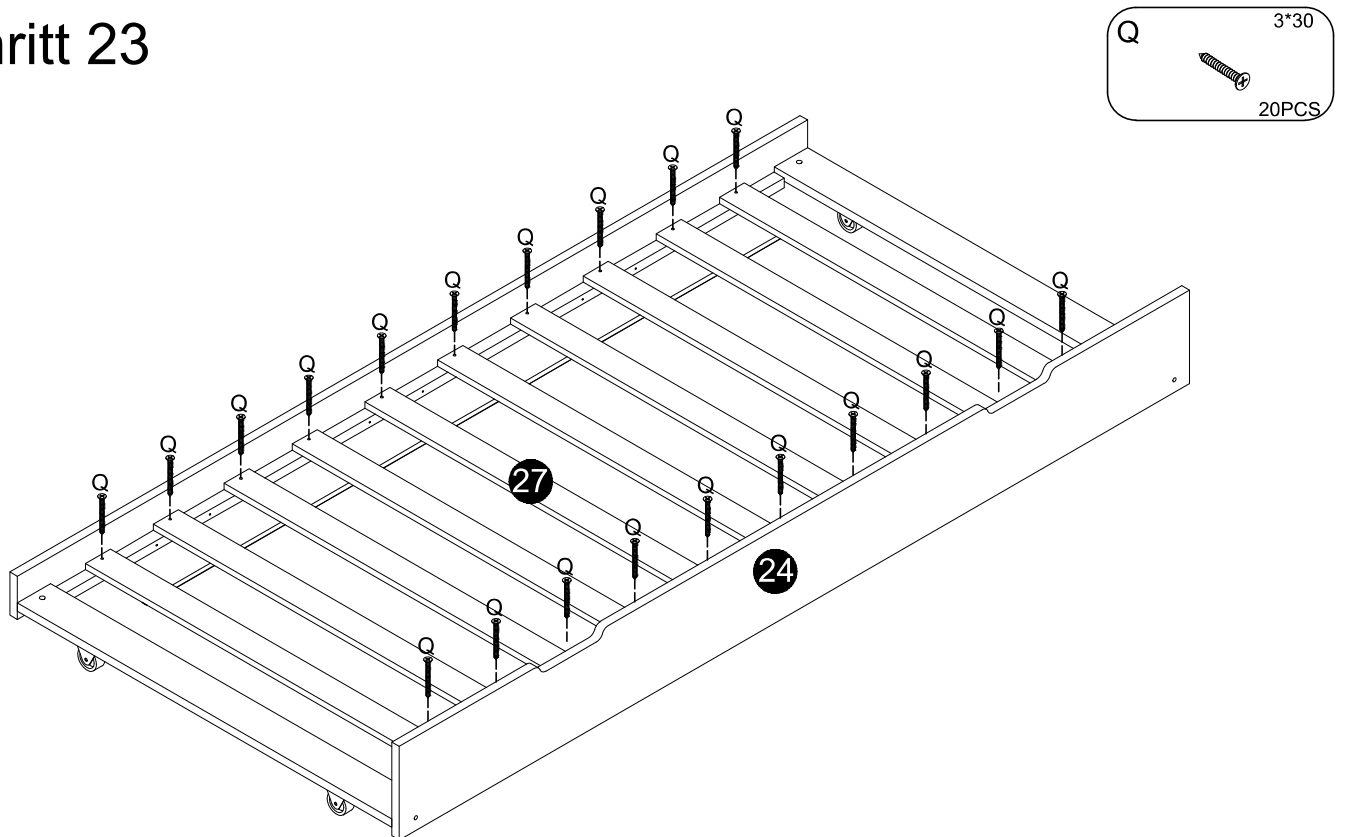


**X2**

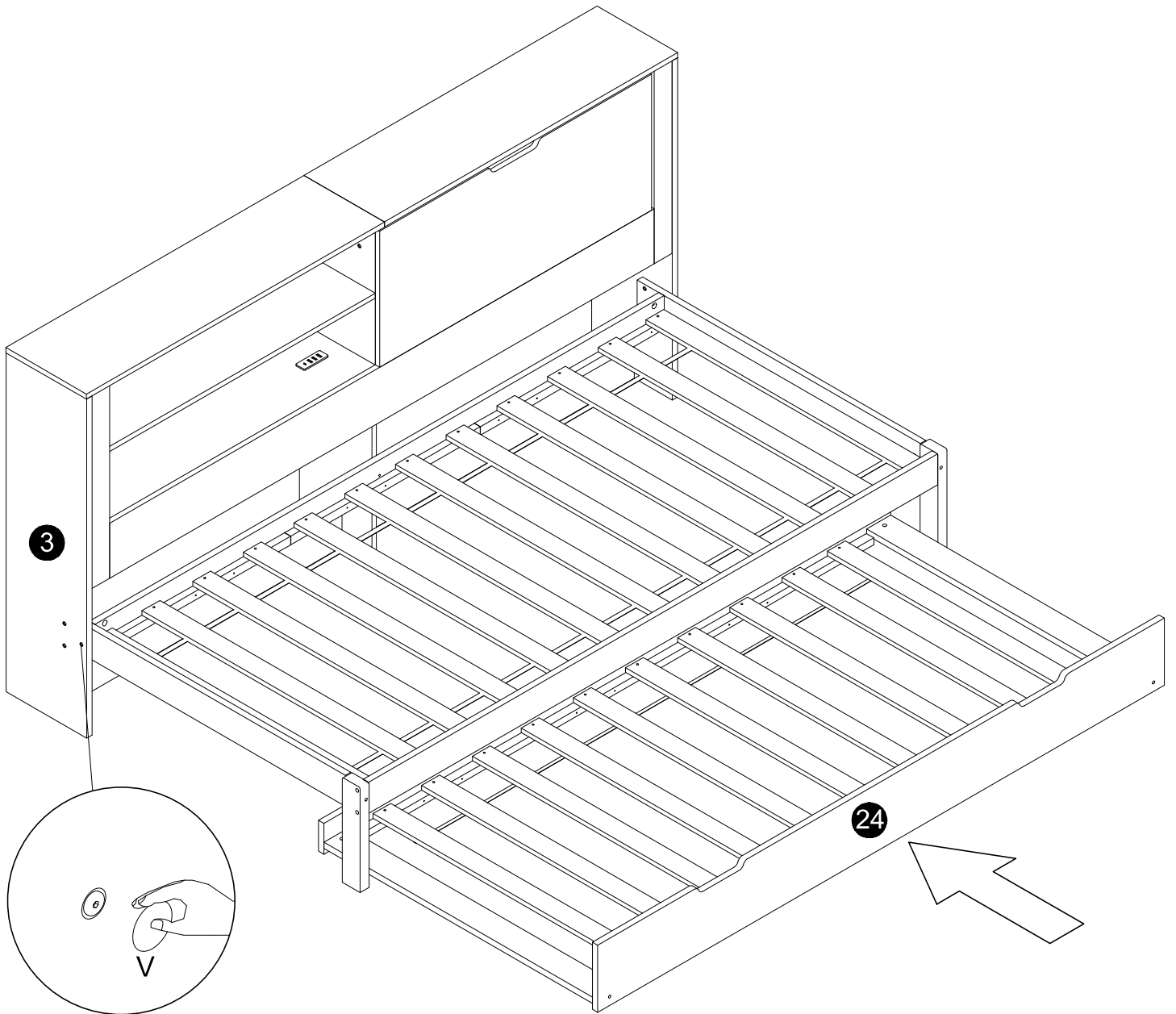
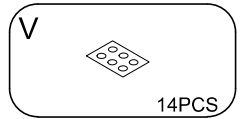
# Schritt 22





# Schritt 23

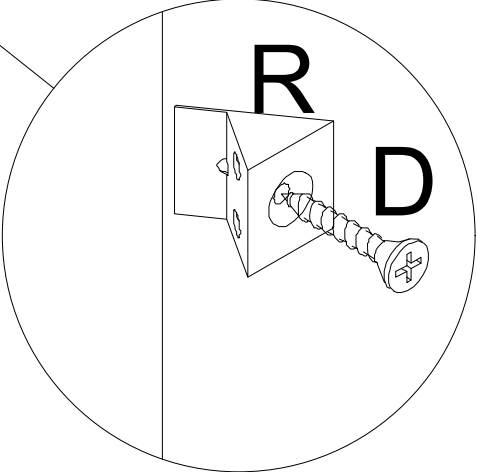
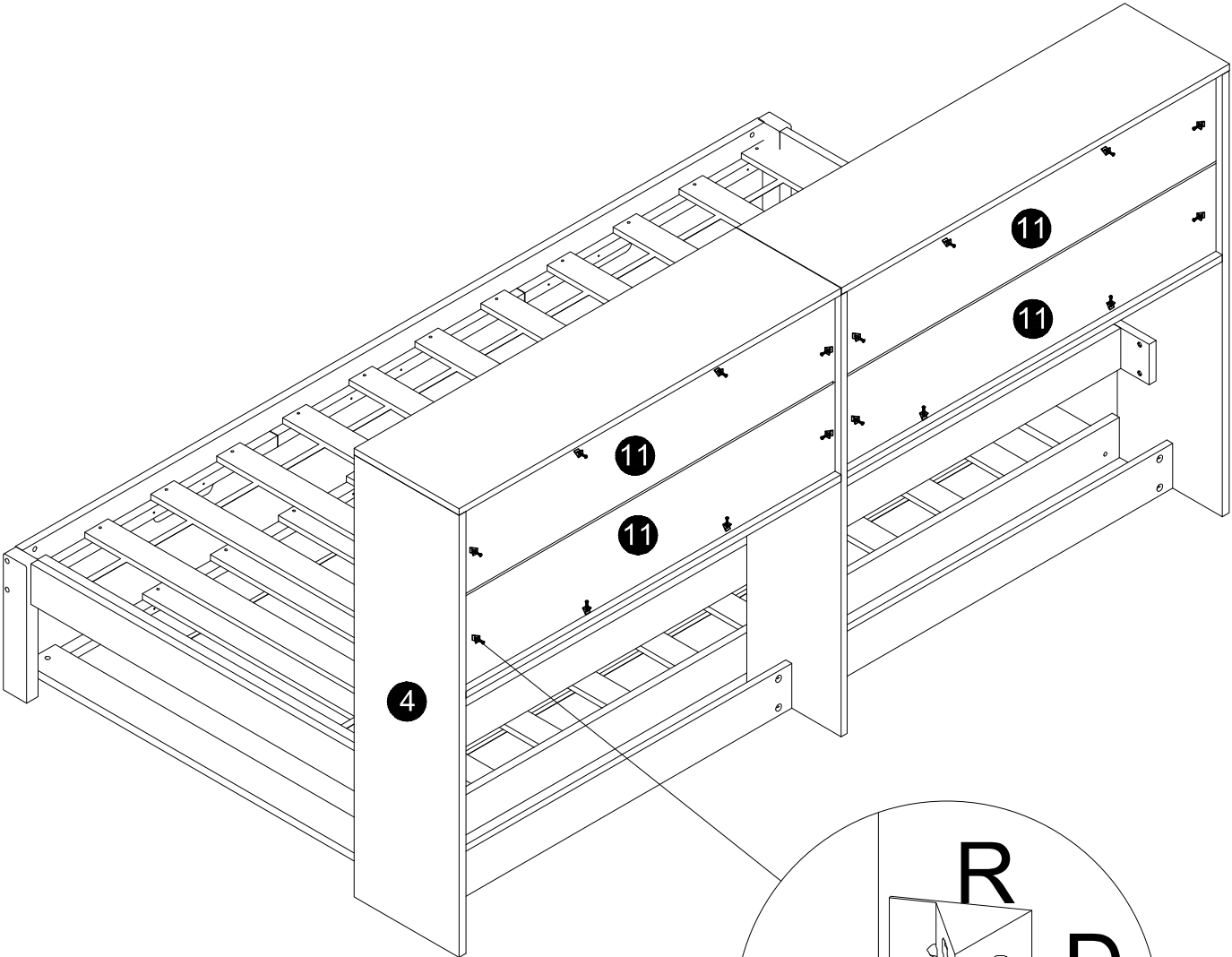


# Schritt 24



# Schritt 25

D	3.5*14
	
	16PCS
R	
	
	16PCS





# Certificate of Conformity

No.: CCI240300872EN-1CER

Reference Report No. : CCI240300872EN-1

Applicant : DONGGUAN BAIYOU ELECTRONIC CO LTD  
Address : 2F A Building, Wufeng Industrial, Jintan Road,  
Danwu Shijie Town, Dongguan, Guangdong

Sample Name : USB CHARGER  
Model/Item No. : BY213-TD04-C

Test Standards : IEC 62321-2:2013 IEC 62321-6:2015  
IEC 62321-3-1:2013 IEC 62321-7-1:2015  
IEC 62321-4: 2013+A1:2017 IEC 62321-7-2:2017  
IEC 62321-5: 2013 IEC 62321-8:2017

The submitted sample(s) stated as above has(have) been tested by us with the listed standards and found in conformity with the requirements stated in Directive 2011/65/EU of the European Parliament and of the Council with regard to the restriction of the use of certain hazardous substances in electrical and electronic equipment and its subsequent amendments as well as Commission Delegated Directive (EU) 2015/863. It is possible to use CE marking on the product to demonstrate the conformity with this Directive.

This certification is part of the full test report(s) and should be read in conjunction with it. The certificate is based on a single evaluation of one sample of above-mentioned products. It does not imply an assessment of the whole production. Other CE marking directives may be applied, they have not been considered during this RoHS conformity assessment.



Technical Director  
Apr. 18, 2024



KeySense Testing & Certification International Co., Ltd.  
 1-3F, Lab Building, No.29 District, Zhongkai Hi-Tech  
 Industrial Development Park, Huizhou, Guangdong,  
 China

Tel:0752-3219929  
 Fax:0752-3219929  
<http://www.kst-cert.com>

# Technical Compliance Statement

Certificate No.: KST240304L008Q01


Report No.: KST240304L008Q01

The following product has been tested by us with the listed standards and found in Compliance with the council LVD directive 2014/35/EU. It is demonstrative for the Compliance with this LVD Directive.

**Holder:** DONGGUAN BAIYOU ELECTRONIC CO LTD  
**Address:** 2F A Building, Wufeng Industrial, Jintan Road, Danwu Shijie Town, Dongguan, Guangdong  
**Product:** USB CHARGER  
**Model Name:** BY213-TD04-C  
**Trade Name:** N/A

Test Standard	
EN 62368-1:2014+A11:2017	Audio/video, information and communication technology equipment Part 1: safety requirements



Signature: 

Name:

Tony Xu

Position:

General Manager

Date:

Apr. 26, 2024



The statement is based on single evaluation of one sample of above mentioned product. It does not imply an assessment of the whole production and does not permit the use of the test lab. Logo.



KeySense Testing & Certification International Co., Ltd.  
 1-3F, Lab Building, No.29 District, Zhongkai Hi-Tech  
 Industrial Development Park, Huizhou, Guangdong,  
 China

Tel:0752-3219929  
 Fax:0752-3219929  
<http://www.kst-cert.com>

# Technical Compliance Statement

Certificate No.: KST240304E008Q01

Report No.: KST240304E008Q01

The following product has been tested by us with the listed standards and found in Compliance with the council EMC directive 2014/30/EU. It is demonstrative for the Compliance with this EMC Directive.

**Holder:** DONGGUAN BAIYOU ELECTRONIC CO LTD

**Address:** 2F A Building, Wufeng Industrial, Jintan Road, Danwu Shijie Town, Dongguan, Guangdong

**Product:** USB CHARGER

**Model Name:** BY213-TD04-C

**Trade Name:** N/A

Test Standard	
EN 55032:2015+A1:2020	Electromagnetic compatibility of multimedia equipment – Emission requirements
EN IEC 61000-3-2:2019+A1:2021	Electromagnetic Compatibility (EMC) Part 3-2:Limits-Limits for harmonic current emissions(equipment input current $\leq 16A$ per phase)
EN 61000-3-3:2013+A2:2021	Electromagnetic Compatibility(EMC) Part 3-3:Limits-limitation of voltage changes, voltage fluctuations and flicker in public low-voltage supply systems, for equipment with rated current $\leq 16A$ per phase and not subject to conditional connection
EN 55035:2017+A11:2020	Electromagnetic compatibility of multimedia equipment – Immunity requirements



Signature:

Name:

Jack.Li

Position:

Supervisor

Date:

April 26, 2024

The statement is based on single evaluation of one sample of above mentioned product. It does not imply an assessment of the whole production and does not permit the use of the test lab. Logo.