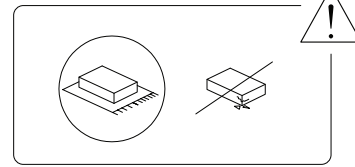
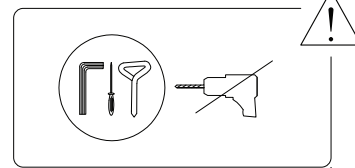
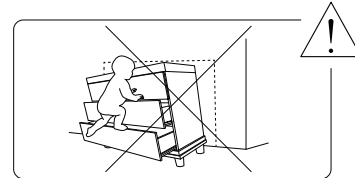
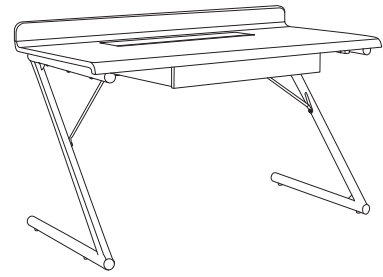
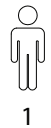


FOCUS



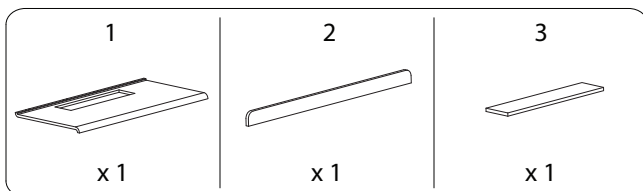
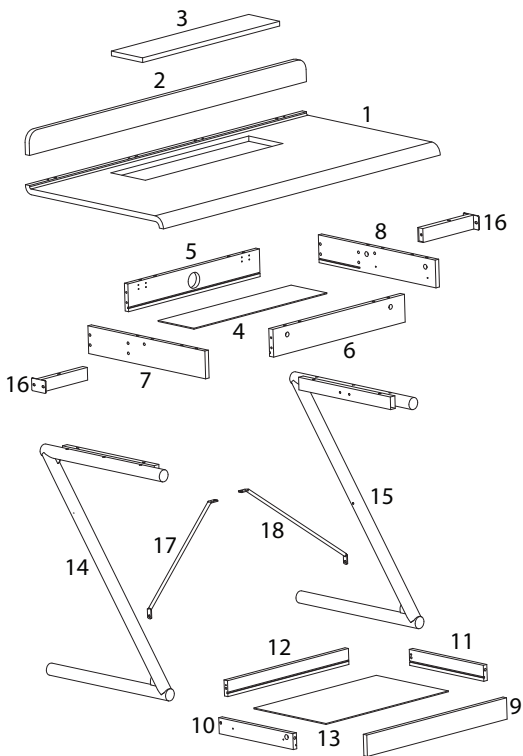
45'



1

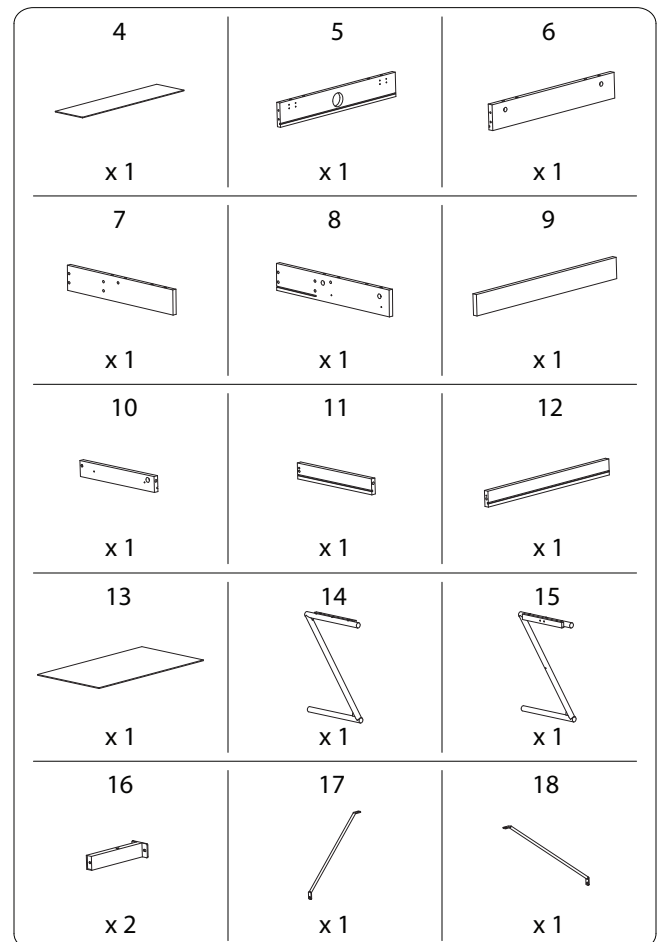
1/20

1192/FOCUS/210225/






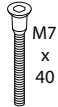
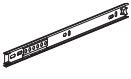
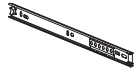

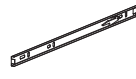

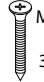
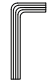



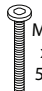



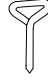
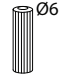
2/20

1192/FOCUS/210225/



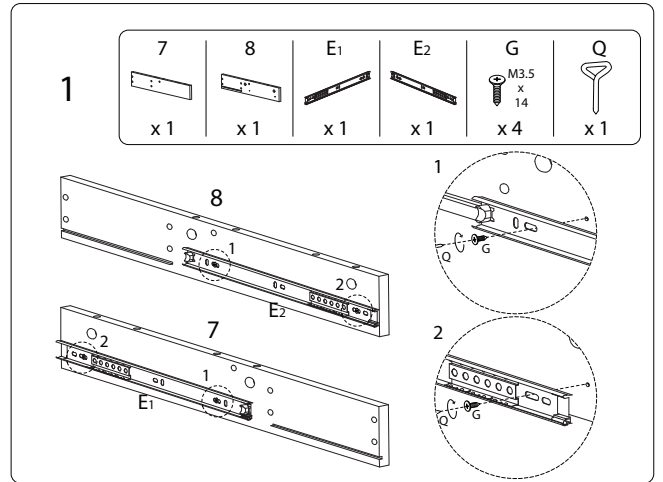
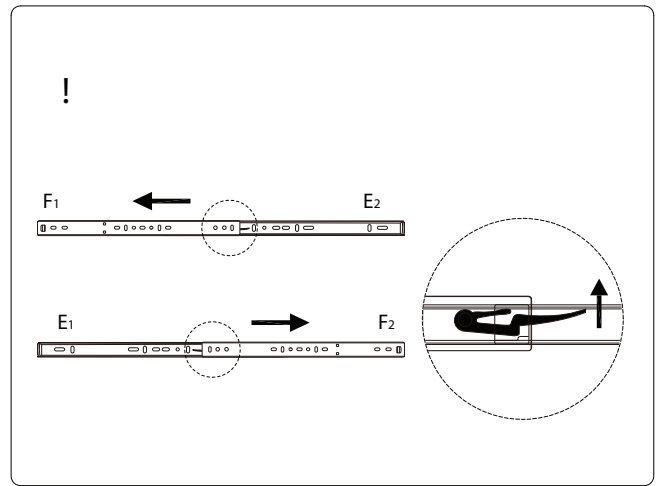
3/20

1192/FOCUS/210225/

A  x 14	B  x 14	C  x 12	D  x 8
E1  x 1	E2  x 1	F1  x 1	F2  x 1
G  x 20	H  x 2	I  x 1	J  x 8
K  x 8	L  x 2	M  x 12	N  x 18
O  x 4	P  x 2	Q  x 1	R  x 2

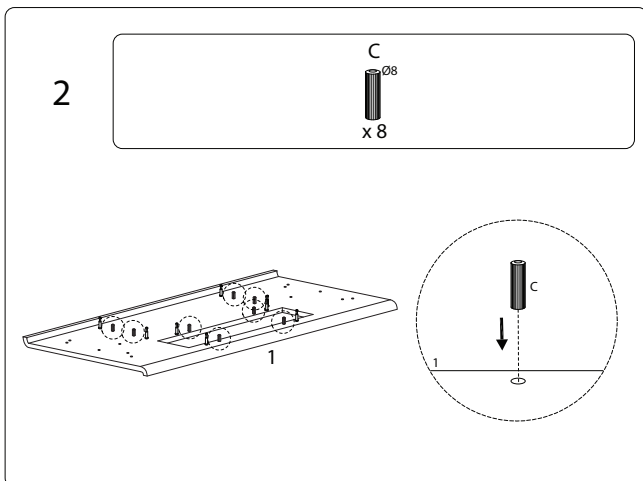
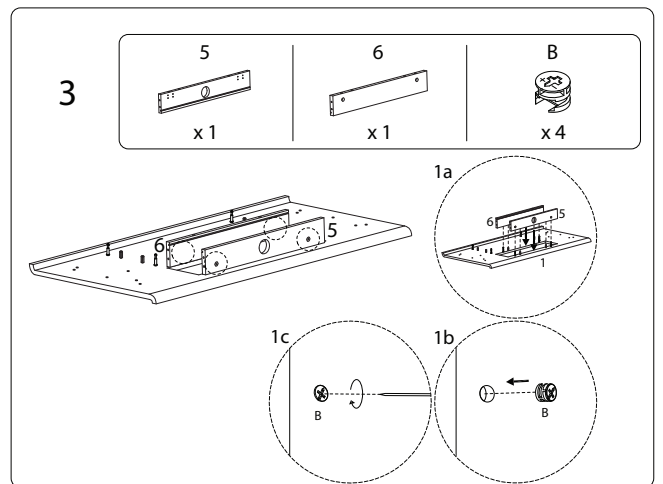
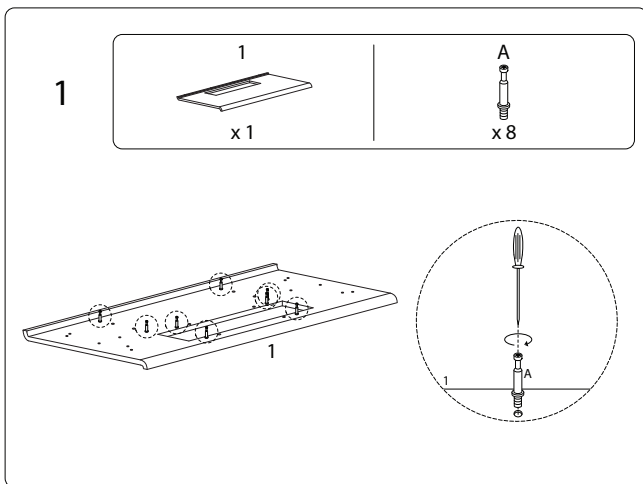
4/20

1192/FOCUS2/10225/



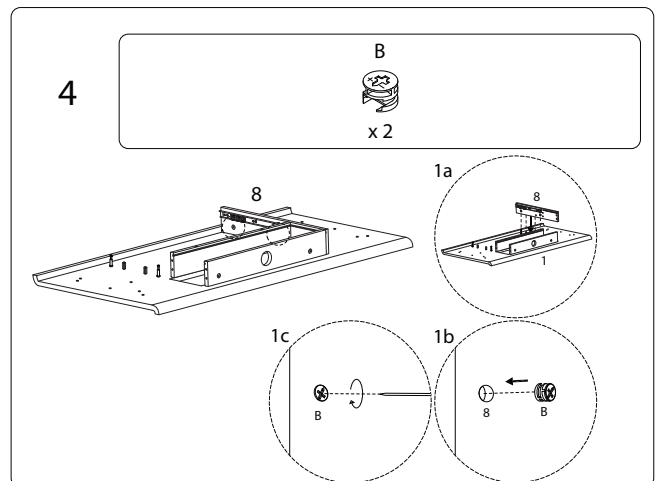
5/20

1192/FOCUS2/10225/



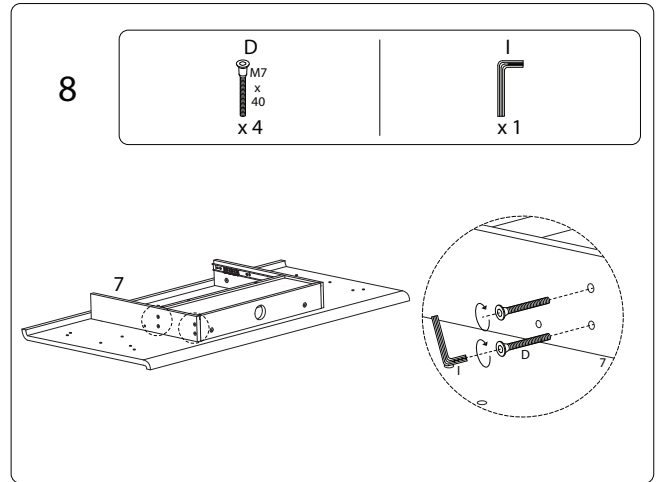
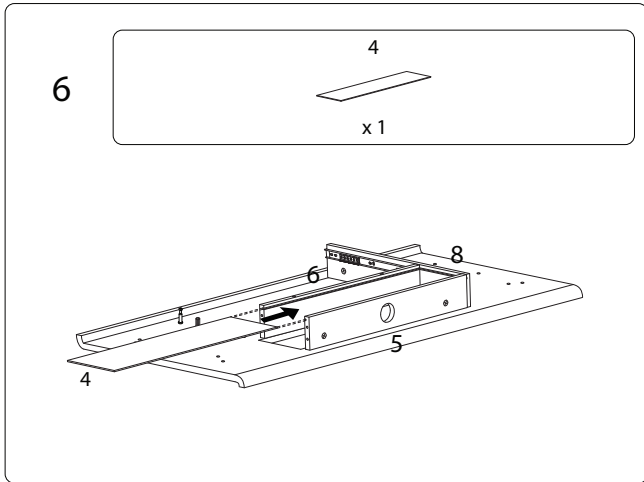
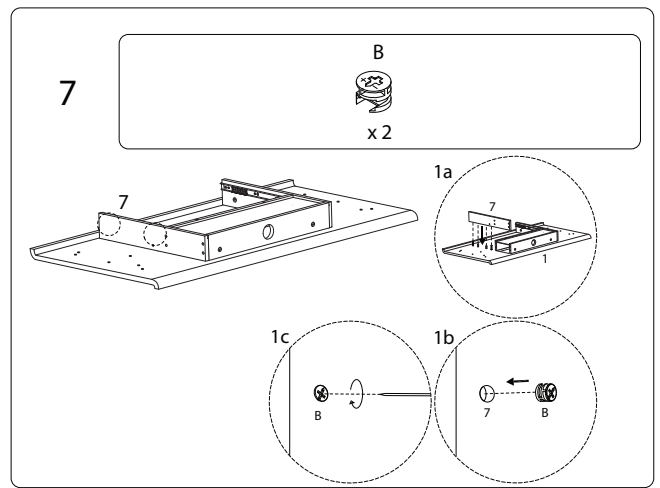
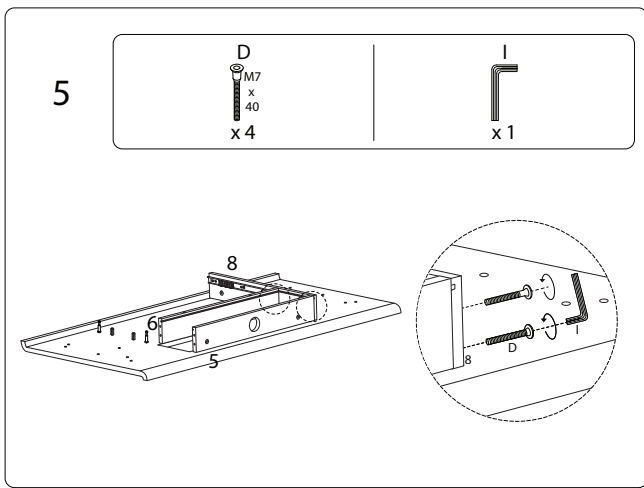
6/20

1192/FOCUS2/10225/



7/20

1192/FOCUS2/10225/

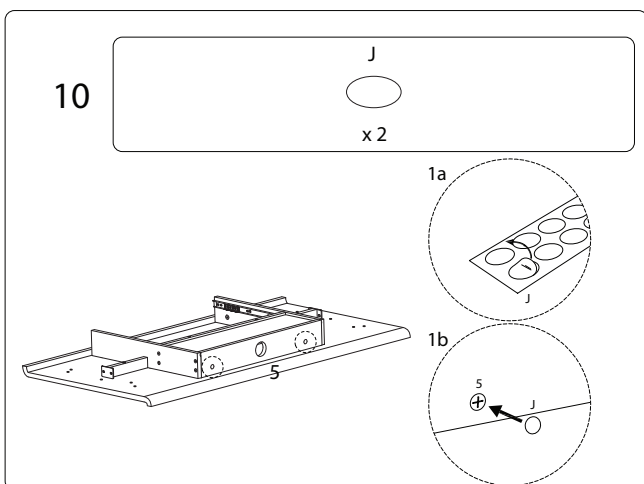
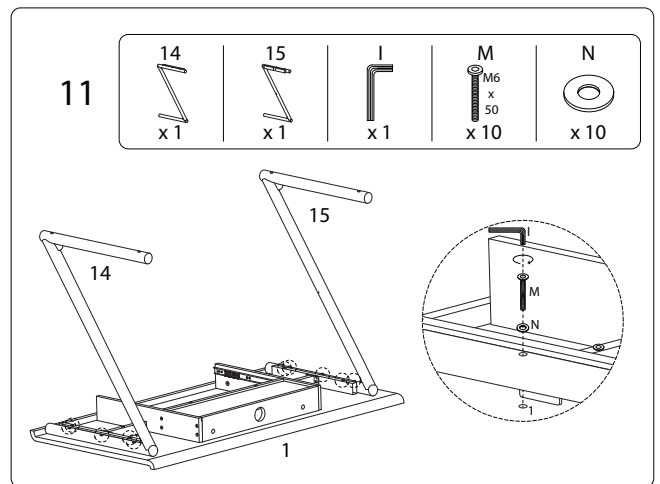
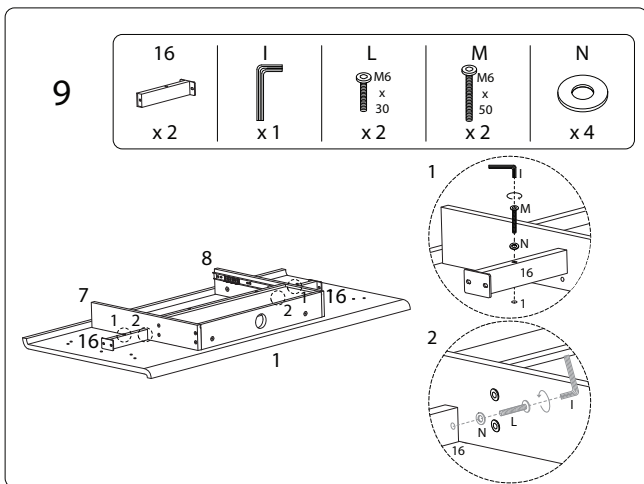


8/20

1192/FOCUS2/10225/

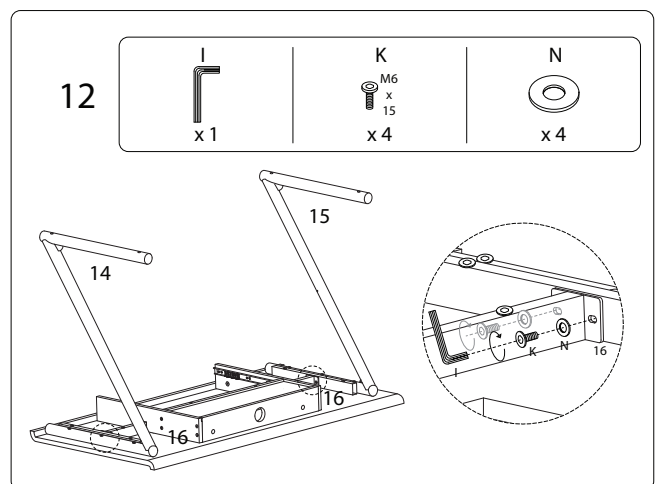
9/20

1192/FOCUS2/10225/



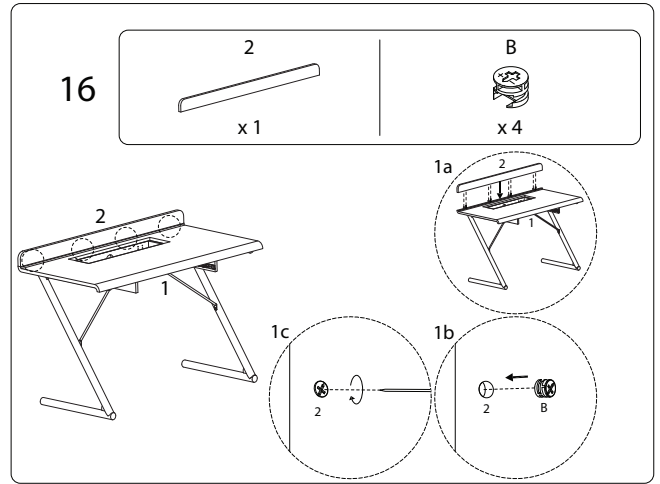
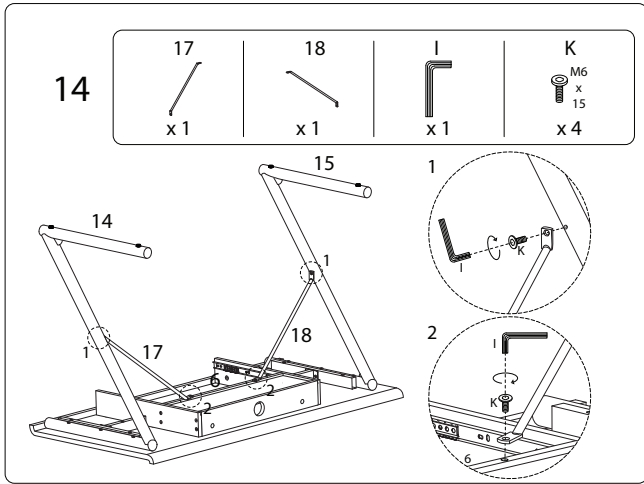
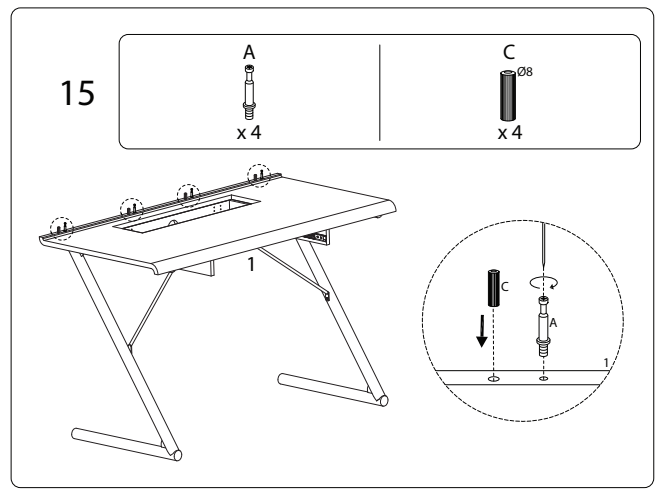
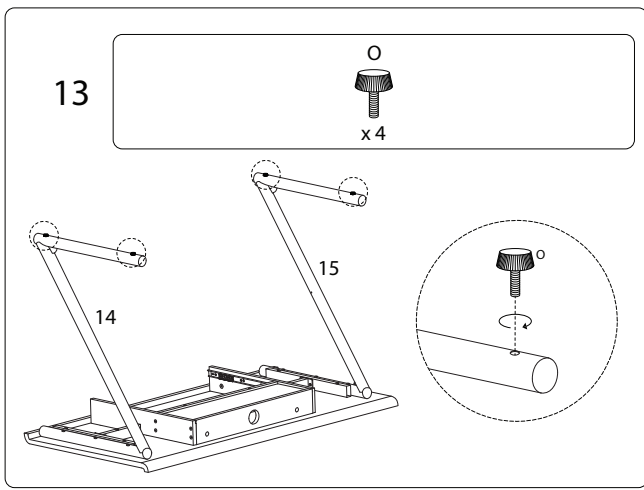
10/20

1192/FOCUS2/10225/



11/20

1192/FOCUS2/10225/

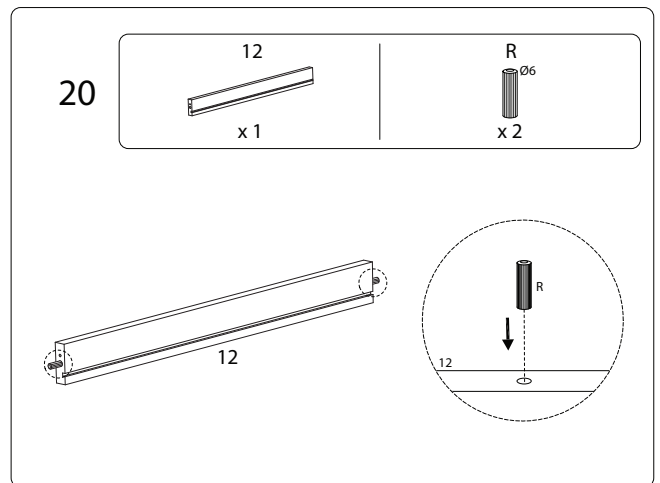
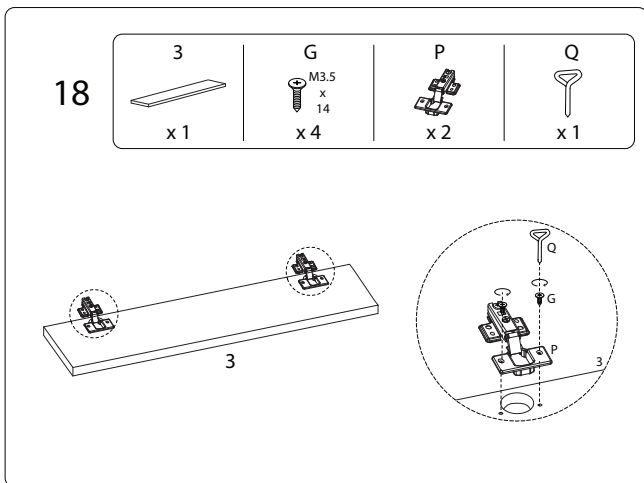
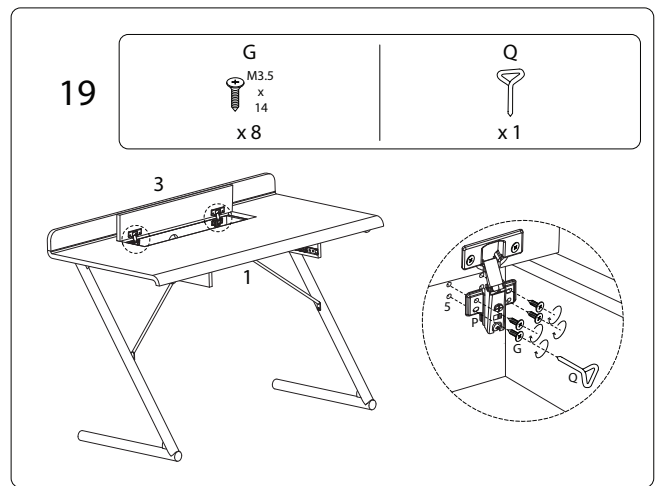
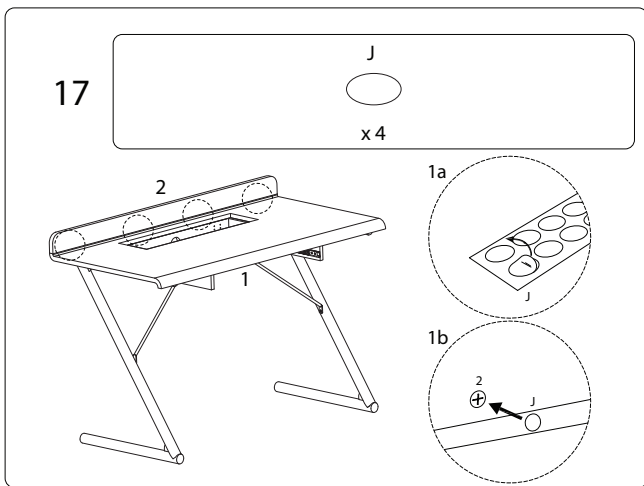


12/20

1193/FOCUS2/10225/

13/20

1193/FOCUS2/10225/

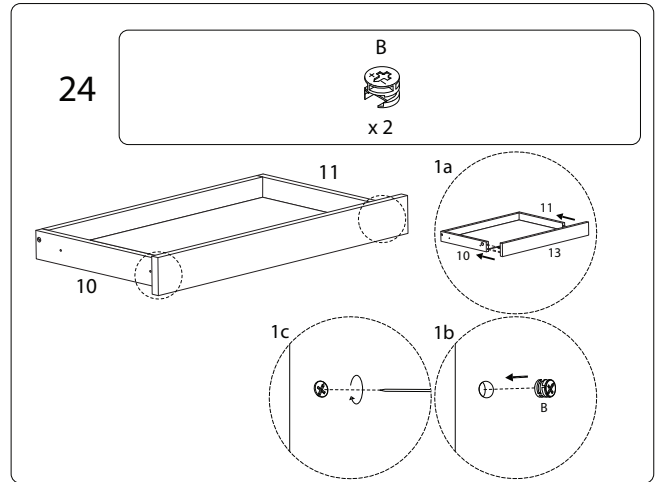
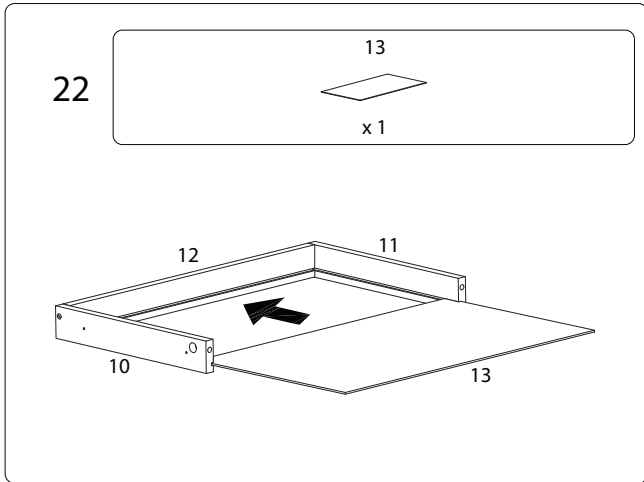
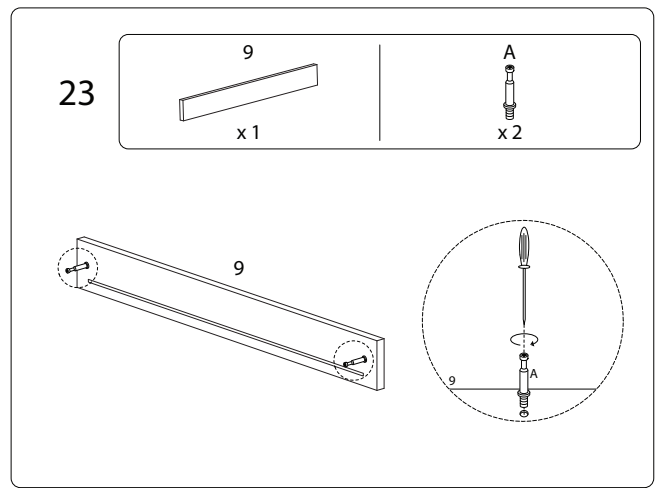
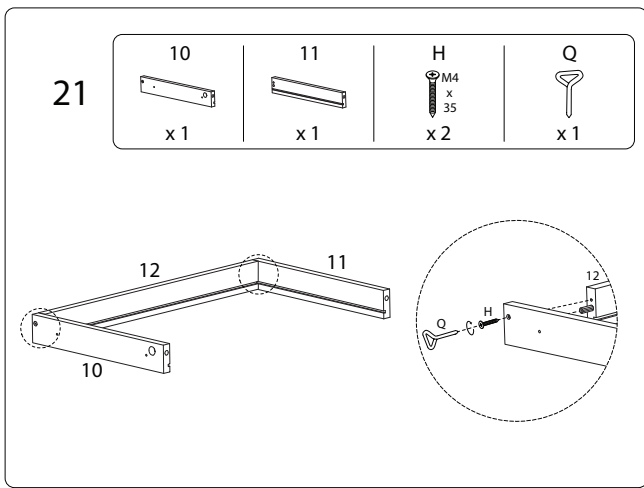


14/20

1193/FOCUS2/10225/

15/20

1193/FOCUS2/10225/

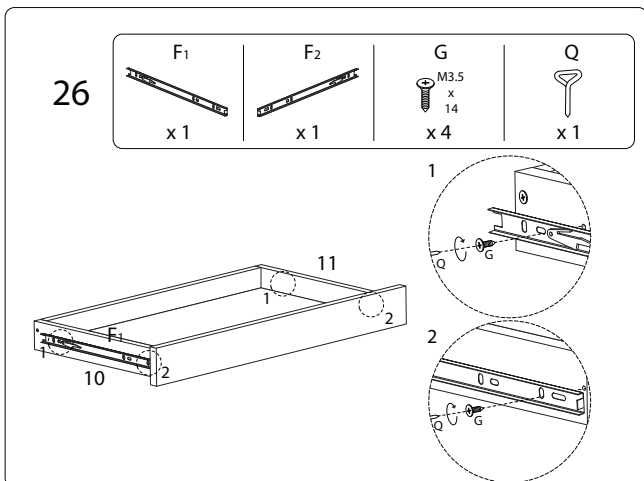
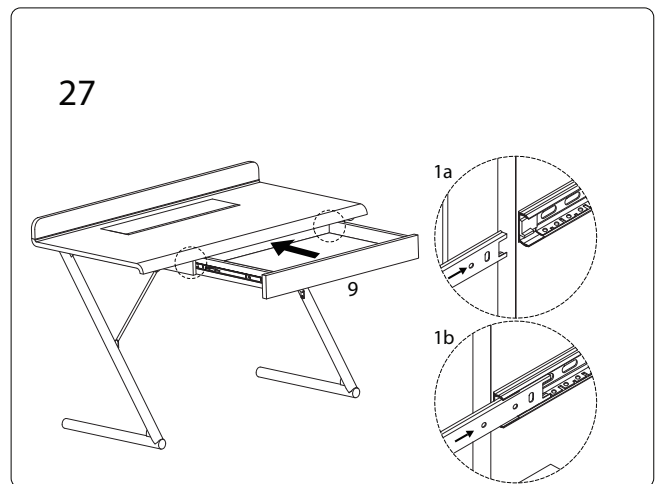
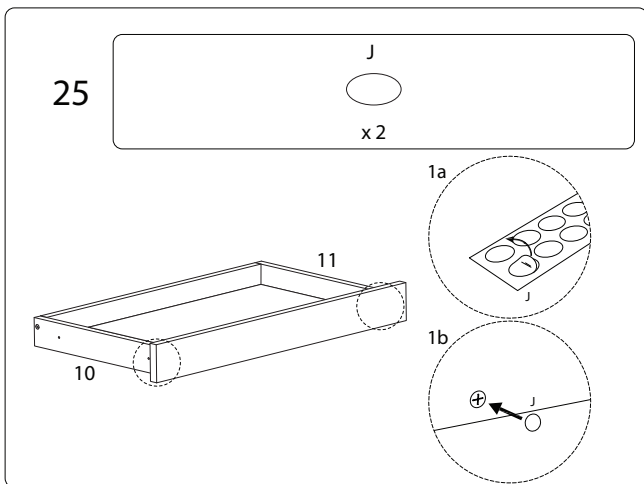


16/20

17/20

1190/FOCUS2/10225/

1190/FOCUS2/10225/



18/20

19/20

1190/FOCUS2/10225/

1190/FOCUS2/10225/

