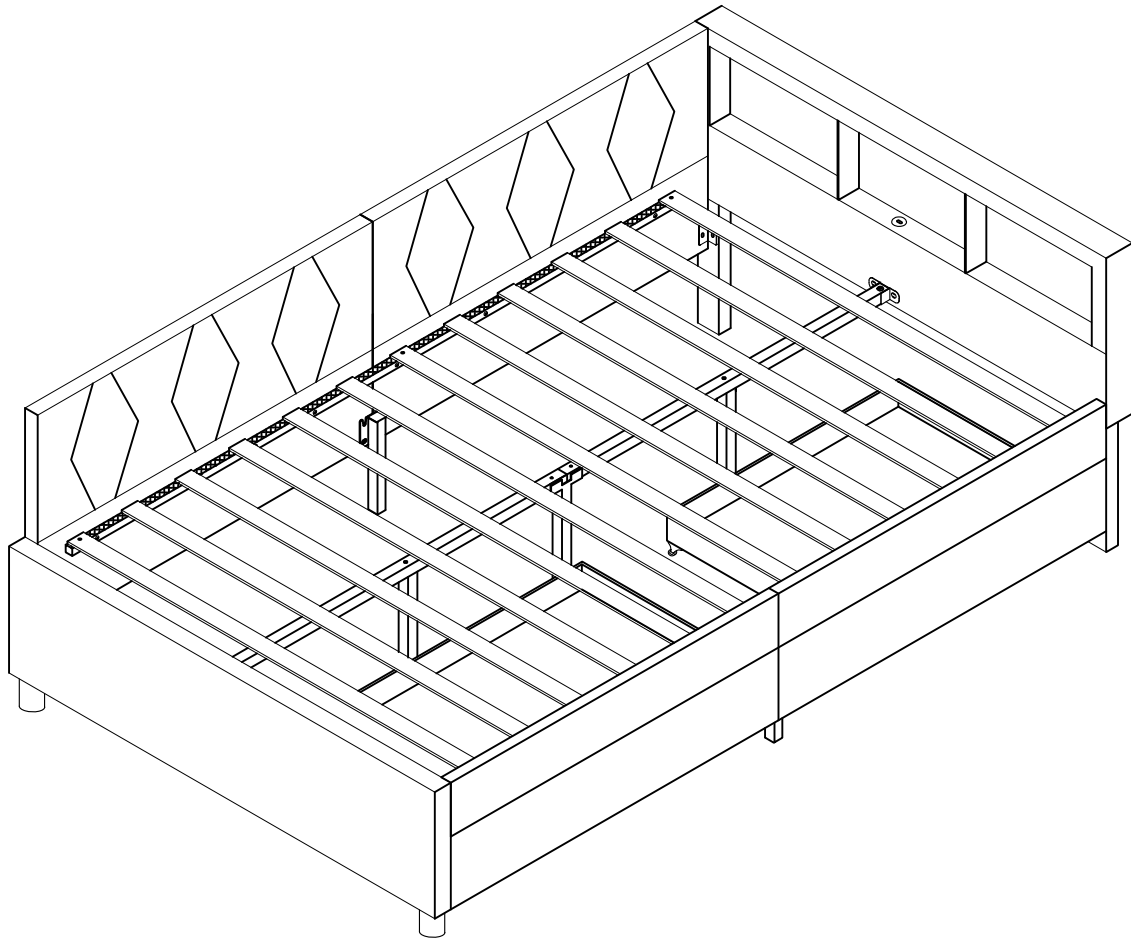


Installation sanleitung Installation Instruction Instruction d'installation

N636P285939 / N636P285940



Unser Produkt wird Ihnen in 2 Paketen geliefert. Die Lieferzeiten dieser 2 Pakete können abweichen, bitte haben Sie etwas Geduld und vielen Dank für Ihr Verständnis.

Our product will be delivered to you in 2 packages. The delivery times of these 2 packages may differ, please be patient and thank you for your understanding.

Notre produit vous sera livré en 2 colis. Les délais de livraison de ces 2 colis peuvent différer, soyez patient et merci pour votre compréhension.



Points de collecte sur www.quefairedemesdechets.fr
Privilégiez la réparation ou le don de votre appareil !

English

IMPORTANT ! KEEP FOR FUTURE REFERENCE : READ CAREFULLY

- To be assembled by an adult. Assembly must be checked by an adult before use
- WARNING ! Keep all screws, small parts and plastic bags out of the reach of children
- Properly identify all parts before assembling
- Never use your item if any of its parts are broken or missing
- Should any problems arise, please contact our After Sales Service
- Manufacturer's instructions shall be followed at all times
- Care: Clean with a soft, dry cloth. In case of larger stains, carefully rub with a slightly damp, non-abrasive sponge
- Avoid the risk of fire by not placing furniture near sources of ignition or hot items
- Do not jump on the bed

Deutsch

WICHTIG ! ZUM SPÄTEREN NACHSCHLAGEN AUFBEWAHREN: SORGFÄLTIG LESEN

- Muss von einem Erwachsenen zusammengebaut werden. Der Zusammenbau muss vor dem Gebrauch von einem Erwachsenen überprüft werden
- WARNUNG! Bewahren Sie alle Schrauben, Kleinteile und Plastikbeutel außerhalb der Reichweite von Kindern auf
- Kennzeichnen Sie vor dem Zusammenbau alle Teile richtig
- Benutzen Sie Ihren Artikel niemals, wenn Teile gebrochen sind oder fehlen
- Sollten Probleme auftreten, wenden Sie sich bitte an unseren Kundendienst
- Die Anweisungen des Herstellers sind stets zu befolgen
- Pflege: Mit einem weichen, trockenen Tuch reinigen. Bei größeren Flecken vorsichtig mit einem leicht feuchten, nicht scheuernden Schwamm abreiben. nicht scheuernden Schwamm
- Vermeiden Sie die Gefahr eines Brandes, indem Sie die Möbel nicht in der Nähe von Zündquellen oder heißen Gegenständen aufstellen
- Nicht auf das Bett springen

Français

IMPORTANT ! CONSERVER POUR RÉFÉRENCE ULTÉRIEURE : LIRE ATTENTIVEMENT

- Le montage doit être effectué par un adulte. Le montage doit être vérifié par un adulte avant Utilisation
- ATTENTION ! Tenir les vis, les petites pièces et les sachets en plastique hors de portée des enfants
- Identifiez correctement toutes les pièces avant de les assembler
- N'utilisez jamais votre article si l'une de ses pièces est cassée ou manquante
- En cas de problème, veuillez contacter notre service après-vente
- Les instructions du fabricant doivent être respectées à tout moment
- Entretien : nettoyer avec un chiffon doux et sec. En cas de taches plus importantes, frotter soigneusement avec une éponge non abrasive légèrement humide. légèrement humide et non Abrasive
- Évitez les risques d'incendie en ne plaçant pas les meubles à proximité de sources d'inflammation ou d'objets chauds
- Ne pas sauter sur le lit

Italiano

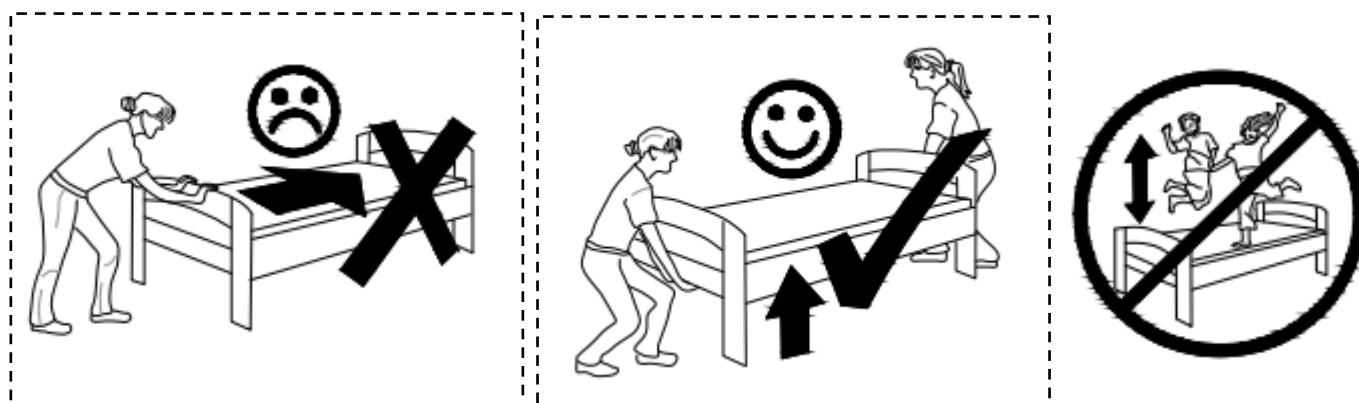
IMPORTANTE! CONSERVARE PER RIFERIMENTO FUTURO: LEGGERE ATTENTAMENTE

- Deve essere assemblato da un adulto. L'assemblaggio deve essere controllato da un adulto prima dell'uso
- **ATTENZIONE!** Tenere tutte le viti, le piccole parti e i sacchetti di plastica fuori dalla portata dei bambini
- Identificare correttamente tutte le parti prima dell'assemblaggio
- Non utilizzare mai l'articolo se alcune parti sono rotte o mancanti
- In caso di problemi, si prega di contattare il nostro Servizio Post Vendita
- Le istruzioni del produttore devono essere sempre seguite
- Cura: Pulire con un panno morbido e asciutto. In caso di macchie più estese, strofinare accuratamente con una spugna leggermente umida e nonspugna leggermente umida e non abrasiva
- Evitare il rischio di incendio, non collocando i mobili vicino a fonti di accensione o a oggetti caldi
- Non saltare sul letto

Español

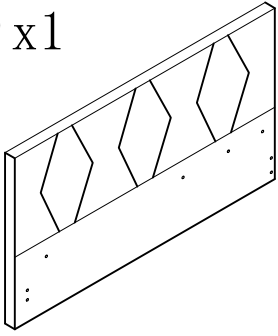
¡ IMPORTANTE ! CONSERVELO PARA FUTURAS CONSULTAS: LEA ATENTAMENTE

- Debe ser montado por un adulto. El montaje debe ser comprobado por un adulto antes del uso
- ADVERTENCIA Mantenga todos los tornillos, piezas pequeñas y bolsas de plástico fuera del alcance de los niños.
- Identifique correctamente todas las piezas antes de montarlas
 - Nunca utilice su artículo si alguna de sus piezas está rota o falta
 - Si surge algún problema, póngase en contacto con nuestro Servicio Postventa
 - Las instrucciones del fabricante deben seguirse en todo momento
 - Cuidado: Limpiar con un paño suave y seco. En caso de manchas más grandes, frote cuidadosamente con una esponja no abrasiva ligeramente humedecida.
 - Evite el riesgo de incendio no colocando los muebles cerca de fuentes de ignición u objetos calientes.
 - No saltar sobre la cama.

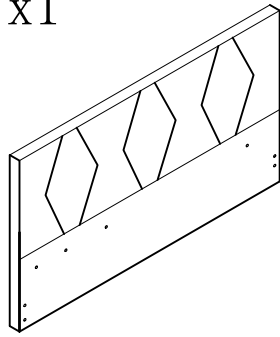


N636P285939

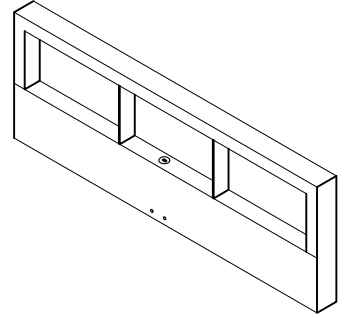
① x1



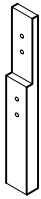
② x1



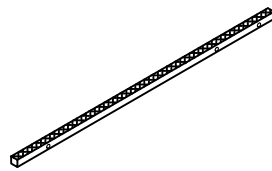
③ x1



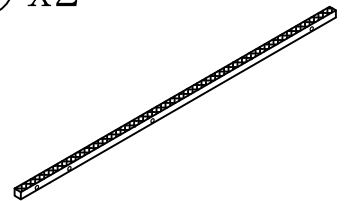
⑤ x2



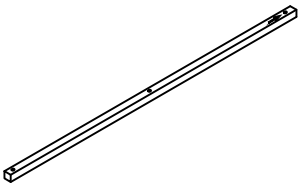
⑧ x2



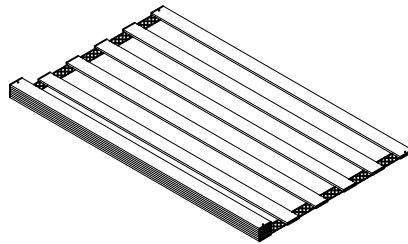
⑨ x2



⑩ x2

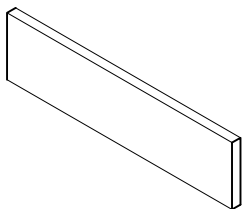


⑯ x1

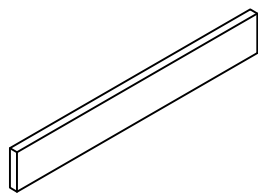


N636P285940

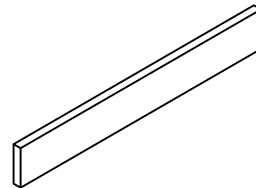
④ x1



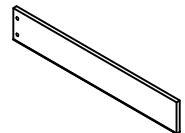
⑥ x1



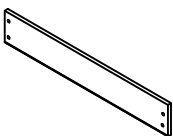
⑦ x1



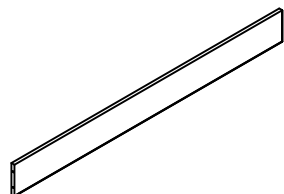
⑪ x2



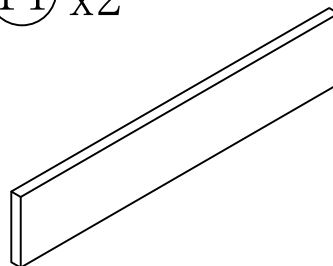
⑫ x2



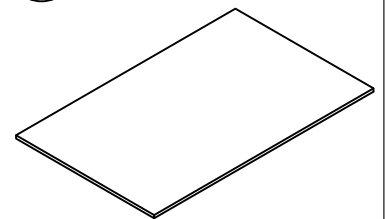
⑬ x2

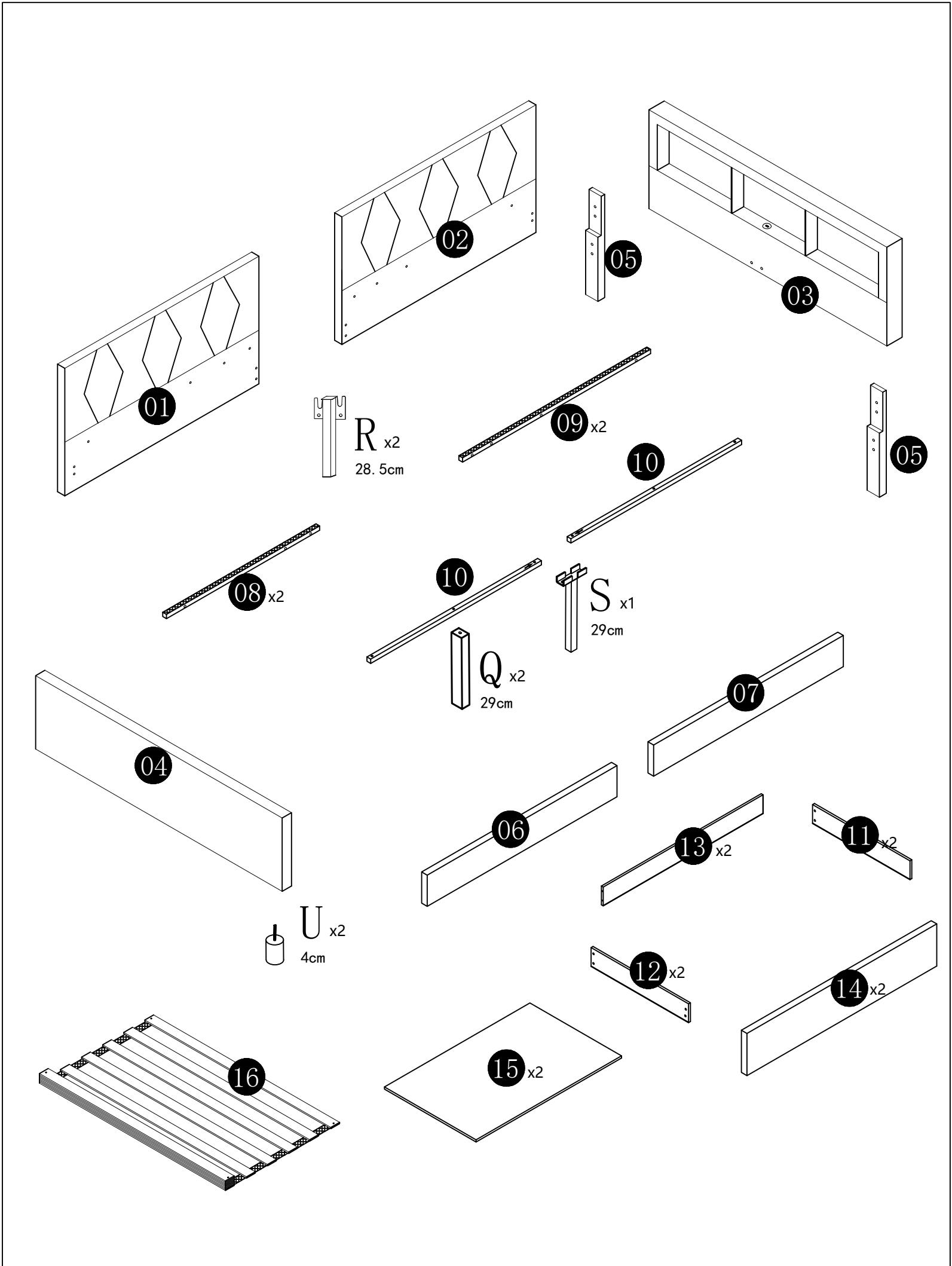


⑭ x2

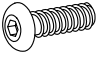

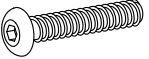
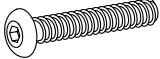




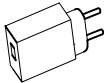
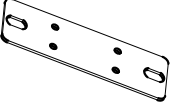
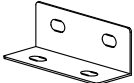
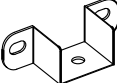
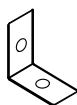


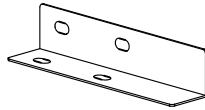



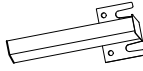

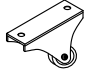

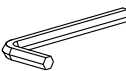
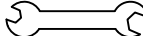

⑮ x2

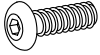
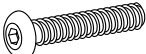


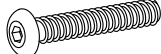


N636P285940


A	 Ø8*18mm	32
B	 Ø4*25mm	8
C	 Ø8*40mm	10
D	 Ø8*45mm	14
E	 Ø3.5*20mm	8
F	 Ø3.5*30mm	7
G	 Ø4*10mm	16
H	 Ø4*14mm	16
I		1
J		2
K		2
L		2
M		8



N		2
O	 m8	2
P		2
Q	 29cm	2
R	 28.5cm	2
S	 29cm	1
T	 1.0	8
U	 4cm	2
V	 m8	1
W	 m8	1
X		1


A	 Ø8*18mm	32
C	 Ø8*40mm	10

D	 Ø8*45mm	14
---	---	----

E	 Ø3.5*20mm	8
---	---	---

F	 Ø3.5*30mm	7
---	---	---

B	 Ø4*25mm	8
G	 Ø4*10mm	16

H	 Ø4*14mm	16
---	--	----

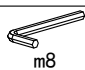




DE: Bitte beachten Sie, dass die Schrauben C und D, die Schrauben E und F sowie die Schrauben B, H und G eine ähnliche Form haben. Bitte beachten Sie die Montageanleitung, um sie zu unterscheiden!

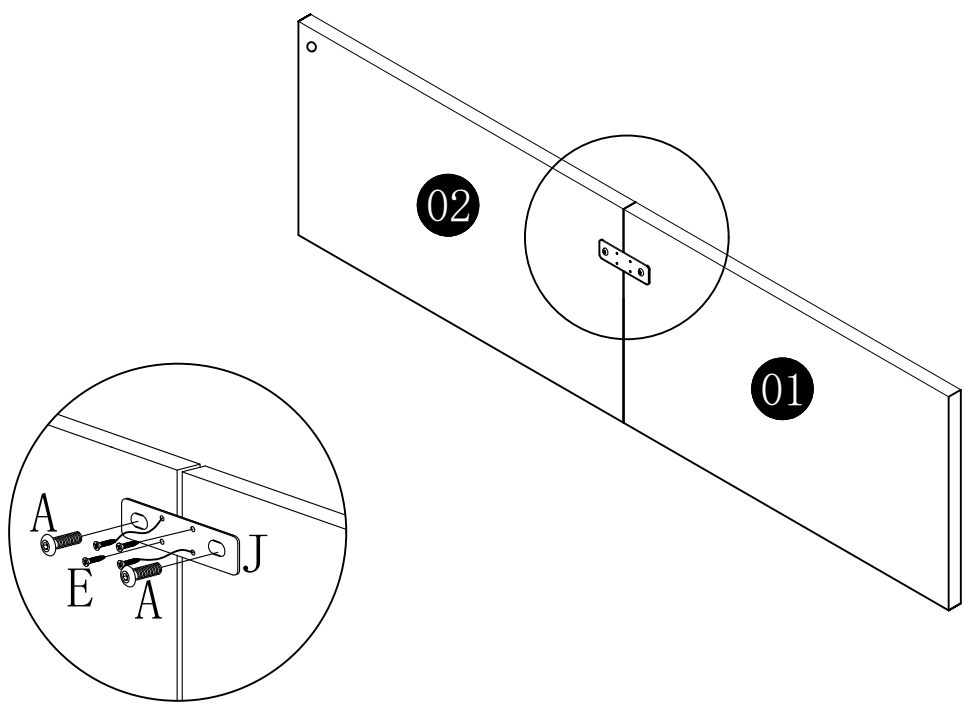
UK: Please note that screws C and D, screws E and F, screws B, H and G are similar in shape. Please follow the instructions for installation to distinguish them!

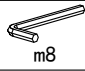
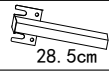

FR: Veuillez noter que les vis C et D, les vis E et F, les vis B, H et G sont de forme similaire. Veuillez suivre les instructions d'installation pour les distinguer !

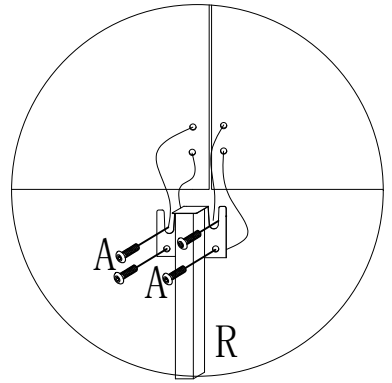
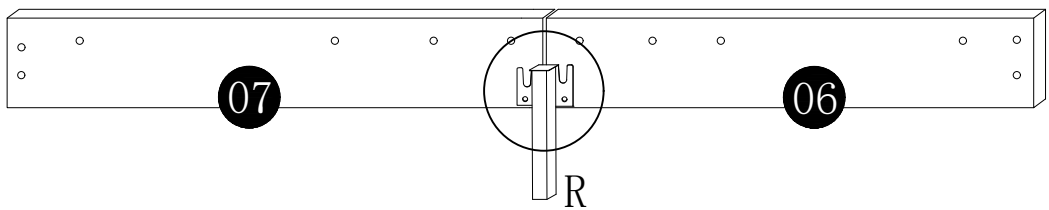
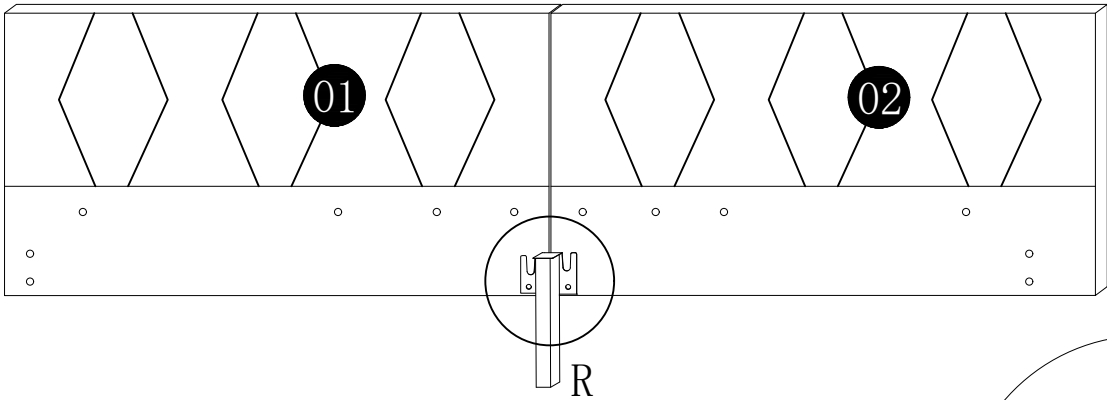
Vor dem Einbau die Schrauben in die Löcher stecken und festziehen, aber nicht bis 100%, 70% bis 80% anziehen reicht aus. Schließlich, nachdem alle Schrauben installiert sind, ziehen Sie alle Schrauben auf 100%. Wenn Sie auf diese Probleme stoßen, wie z. B. Fehlausrichtung der Löcher oder Unfähigkeit, bestimmte Teile zu installieren, überprüfen Sie bitte, ob die Schrauben korrekt verwendet werden und passen Sie die Dichtigkeit der Schrauben an. Before installation, insert the screws into the holes and tighten them, but do not tighten them to 100%, 70% to 80% is sufficient. Finally, after all screws are installed, tighten all screws to 100%. If you encounter these issues, such as if the holes cannot be aligned or some parts cannot be installed, please check if the screws are used correctly and adjust the tightness of the screws.

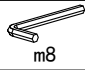
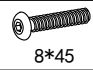
Insérer la vis dans le trou avant la fin de l'assemblage, serrer la vis, mais ne pas serrer à 100%, 70% ~ 80% est correct. Enfin, une fois que toutes les vis sont bien serrées, toutes les vis sont serrées à 100%. Si vous rencontrez ces problèmes, par exemple si les trous ne sont pas alignés ou si certaines pièces ne peuvent pas être montées, vérifiez que les vis sont utilisées correctement et Ajustez leur serrage.

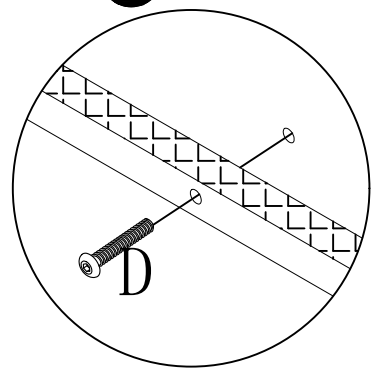
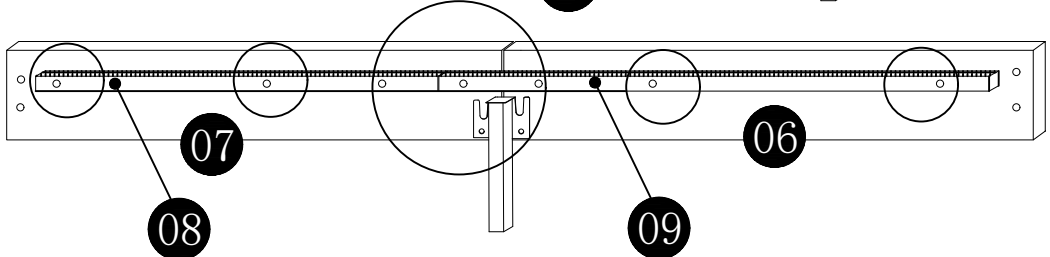
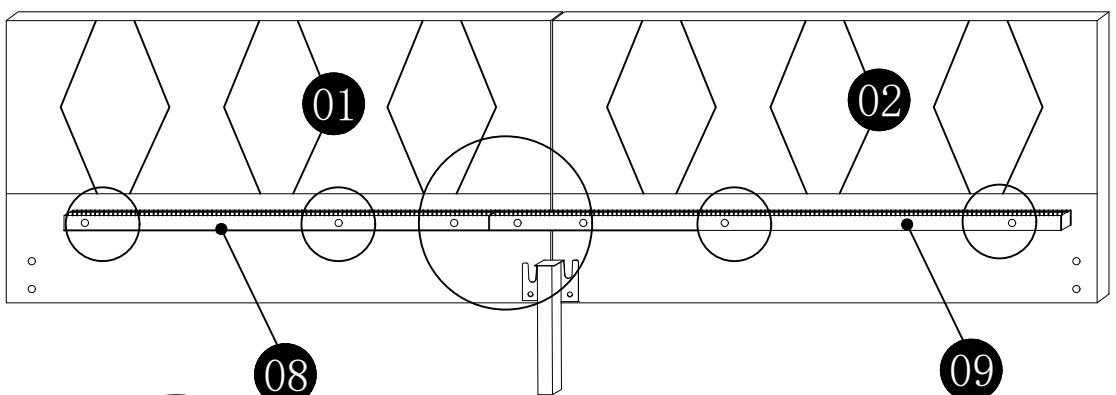
01	V	 m8	1	X		1	E	 3.5*20	4	J		1	A	 8*18	2
----	---	--	---	---	---	---	---	--	---	---	---	---	---	--	---

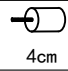


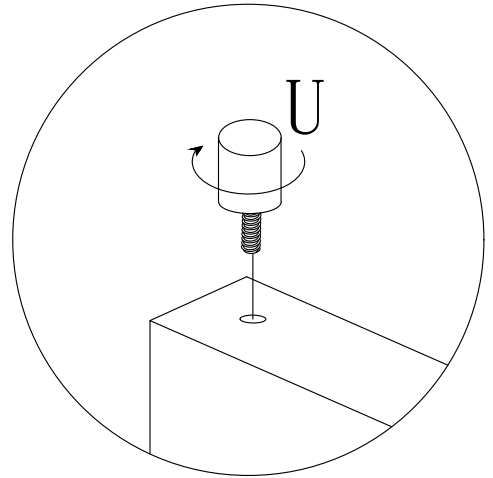
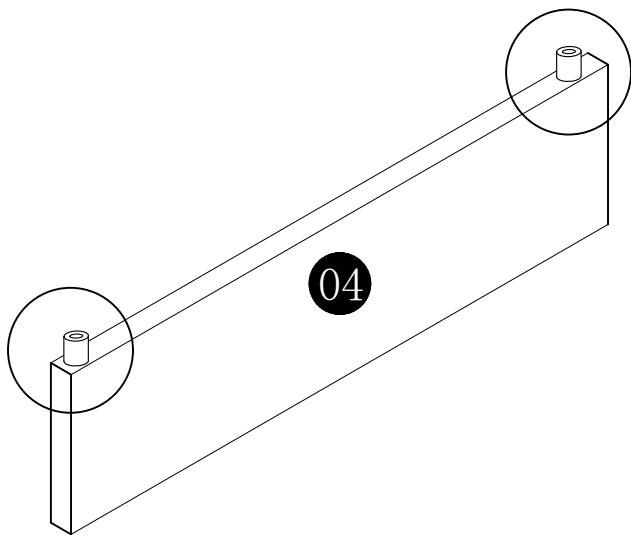
02	V		1	R		2	A		8
----	---	---	---	---	---	---	---	---	---

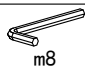
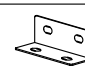
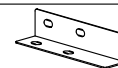



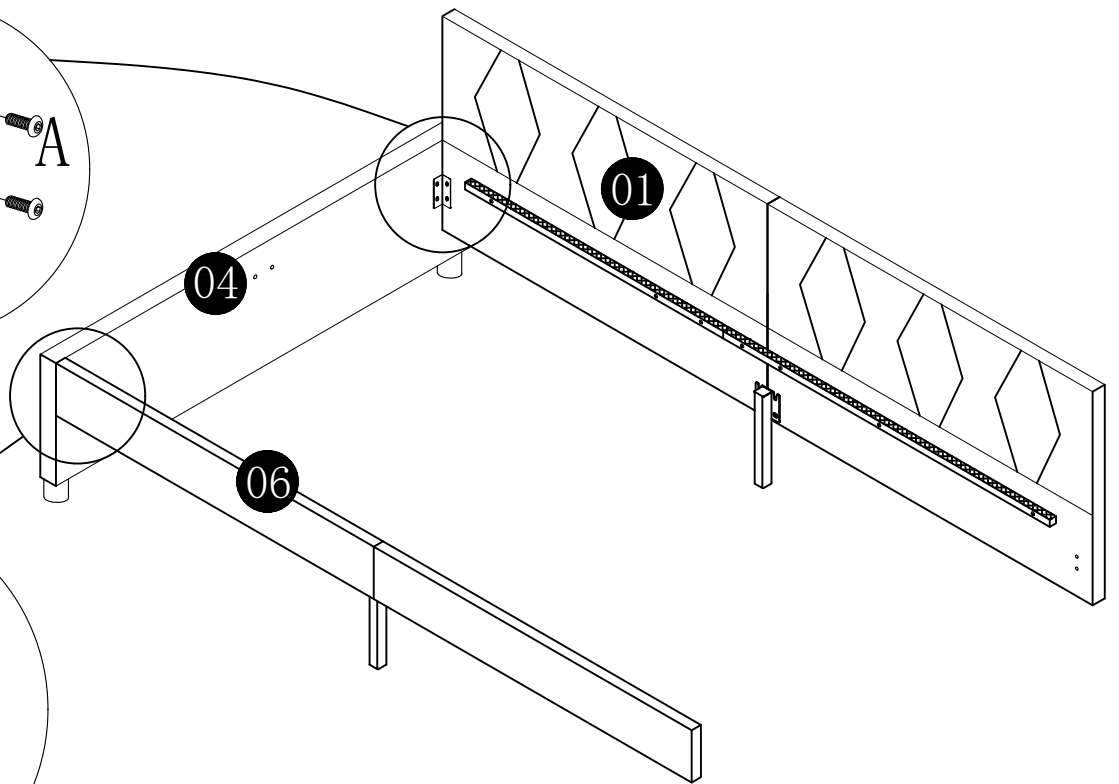
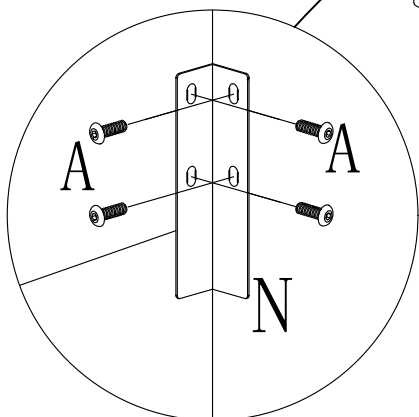
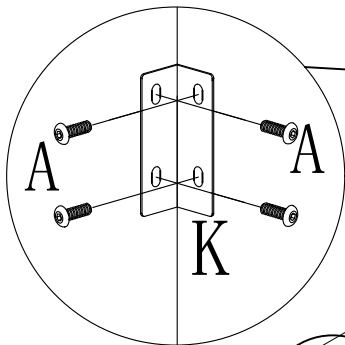
03	V		1	D		14
----	---	---	---	---	---	----

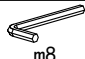



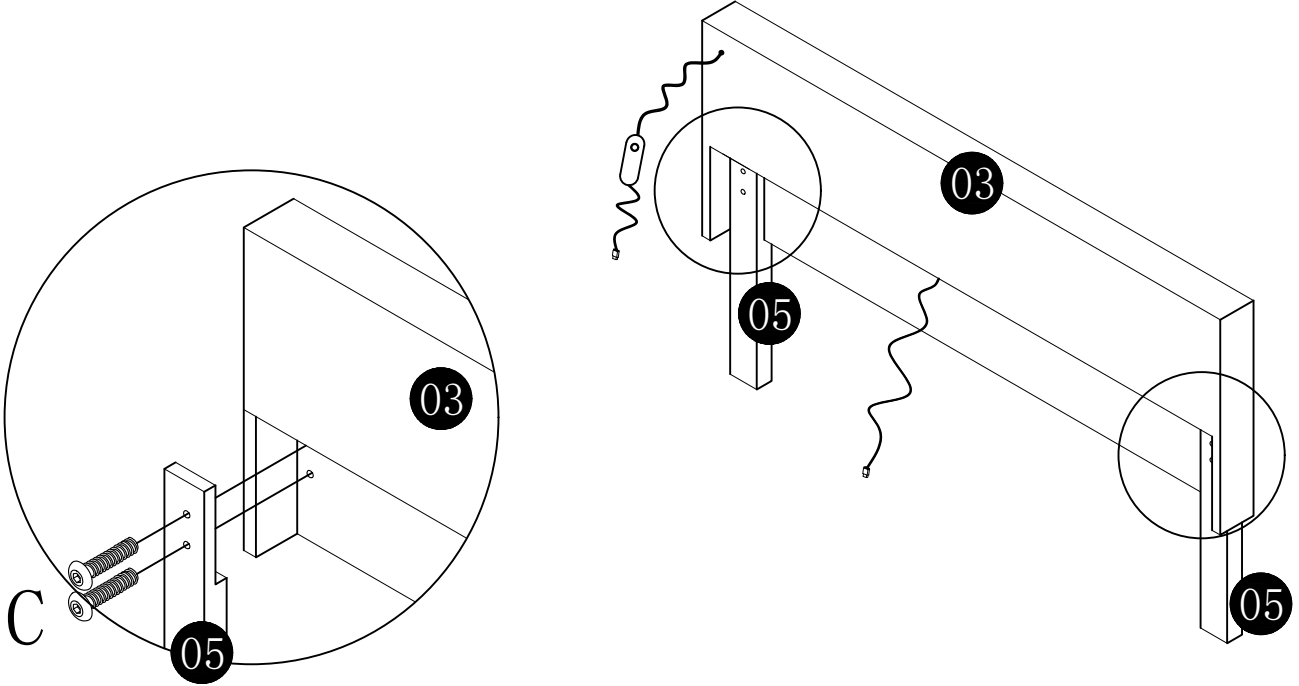
04	U		2
----	---	---	---

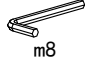
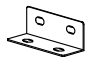
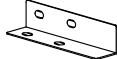



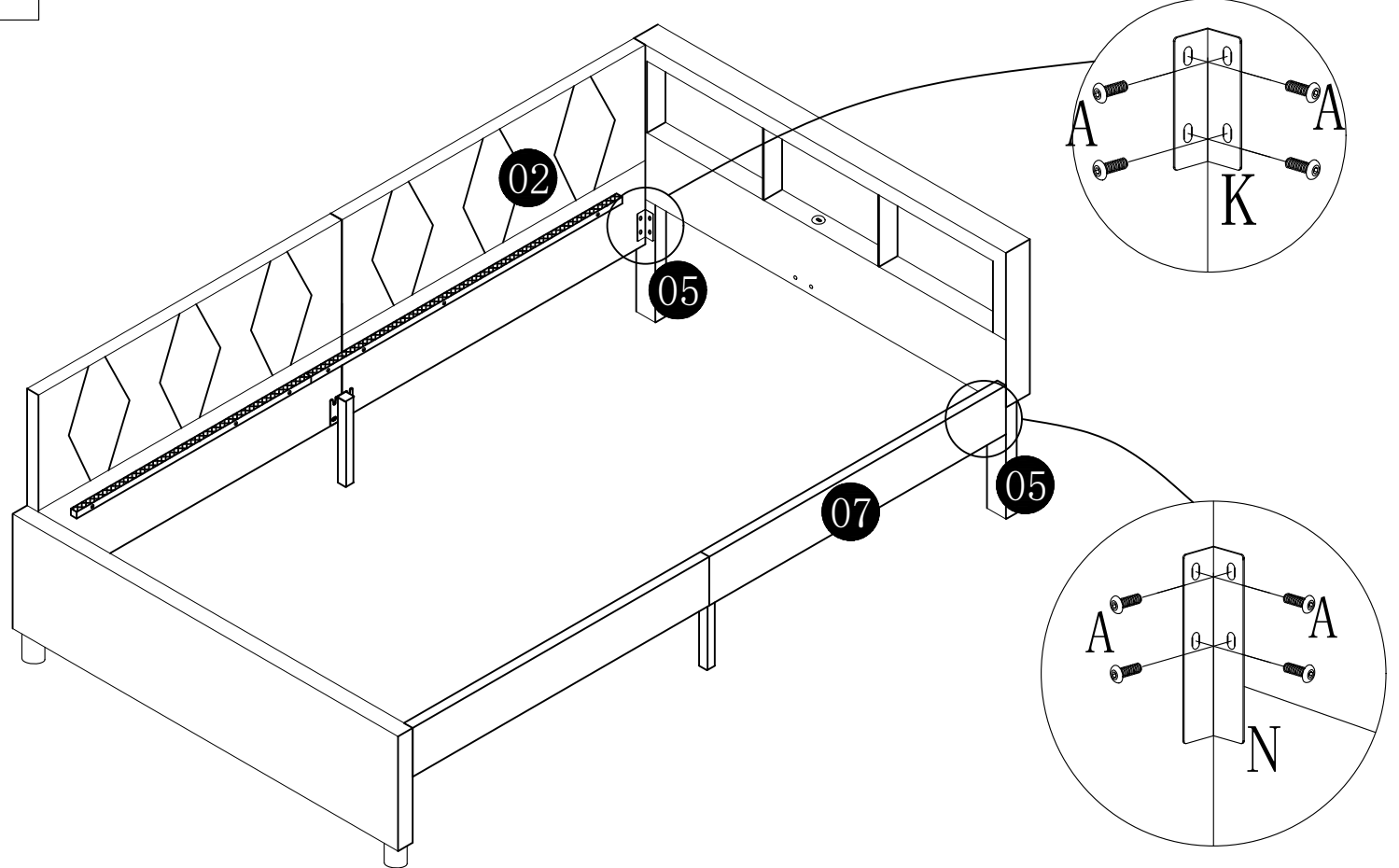
05	V		1	K		1	N		1	A		8
----	---	---	---	---	---	---	---	---	---	---	---	---



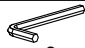




06	V	 m8	1	C	 8*40	4
----	---	--	---	---	--	---

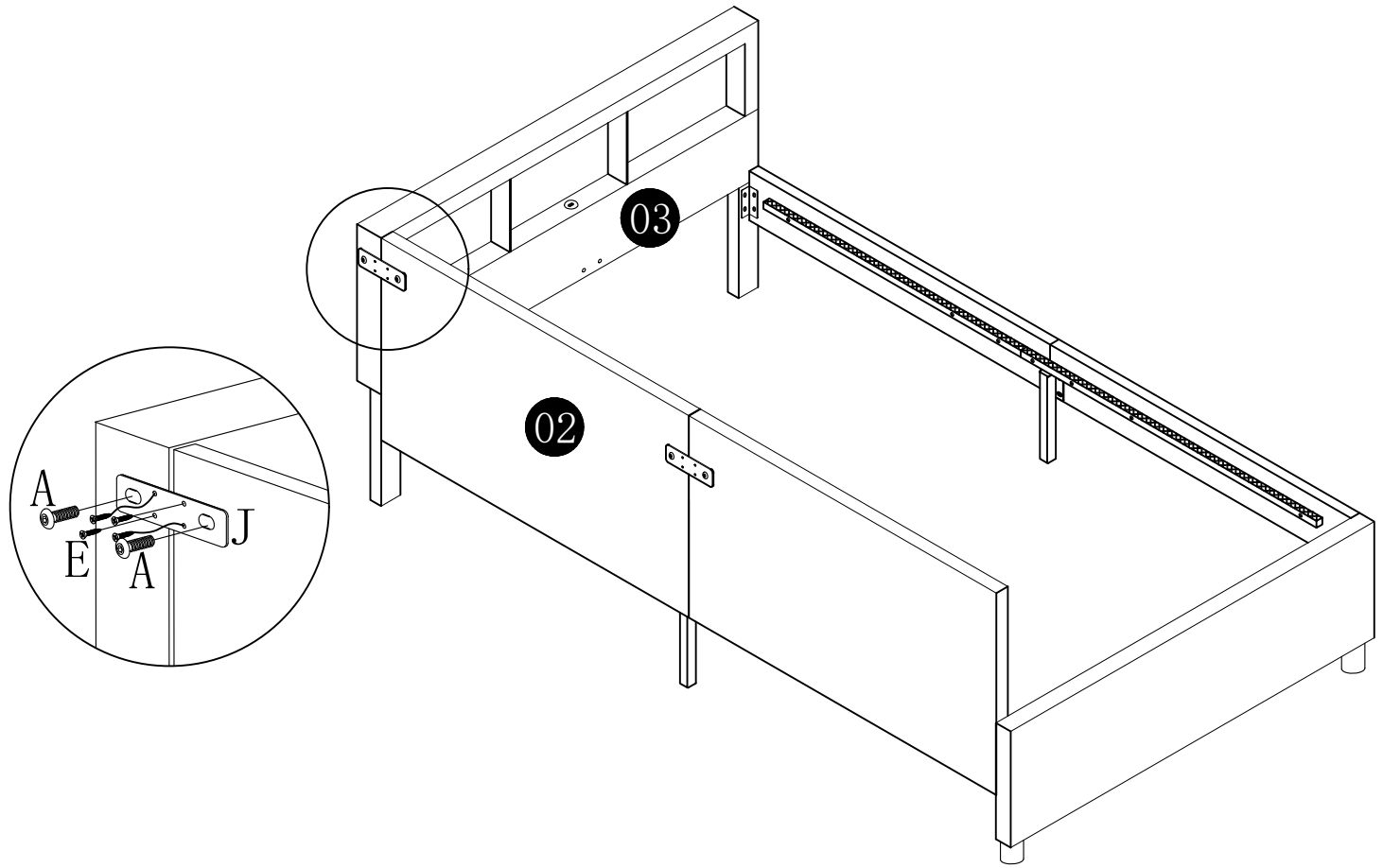


07	V	 m8	1	K		1	N		1	A	 8*18	8
----	---	--	---	---	---	---	---	---	---	---	--	---

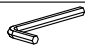
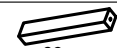


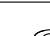
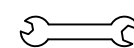
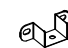



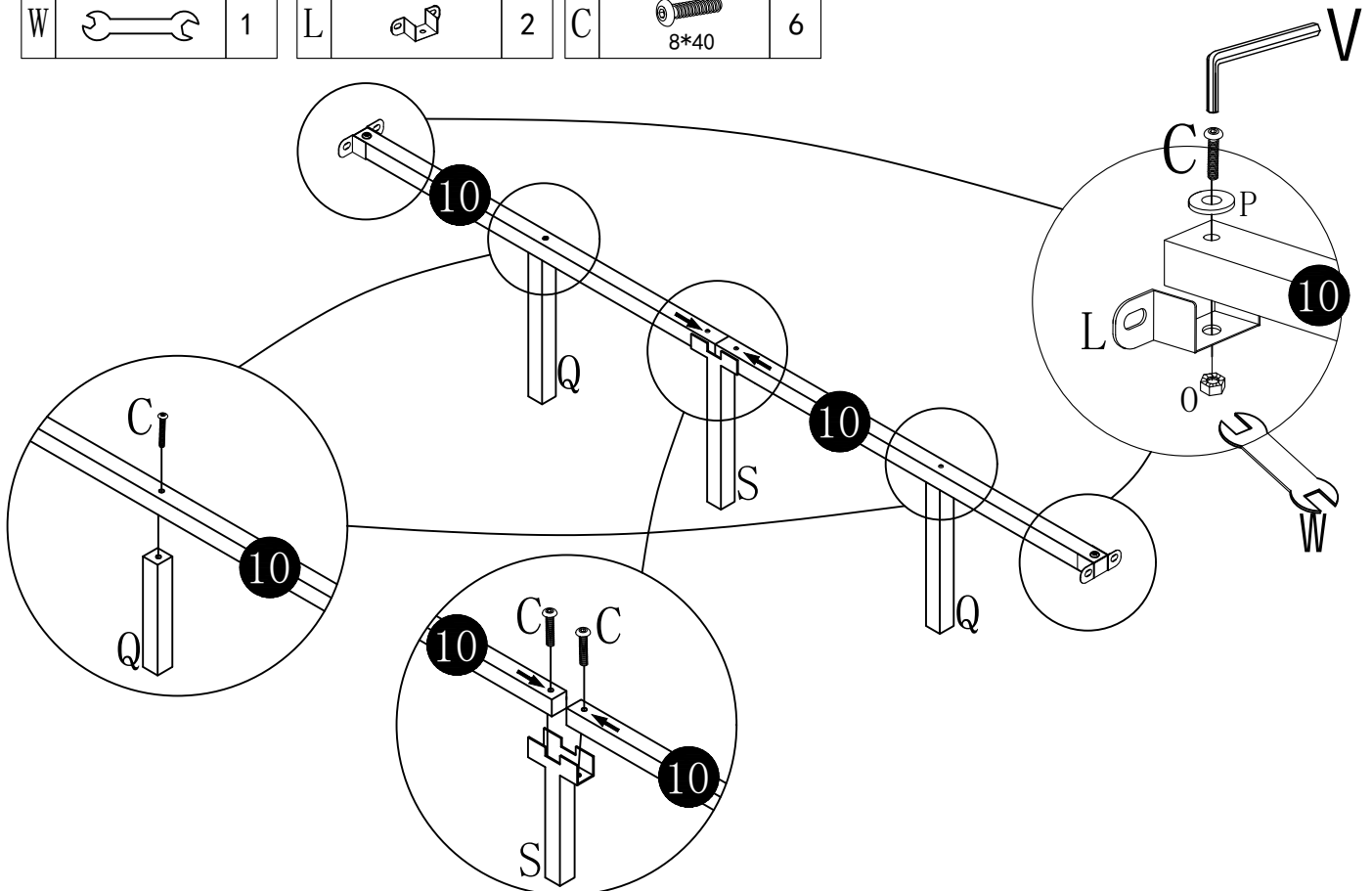
08

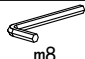

V		1	X		1	E		4	J		1	A		2
	m8						3.5*20						8*18	

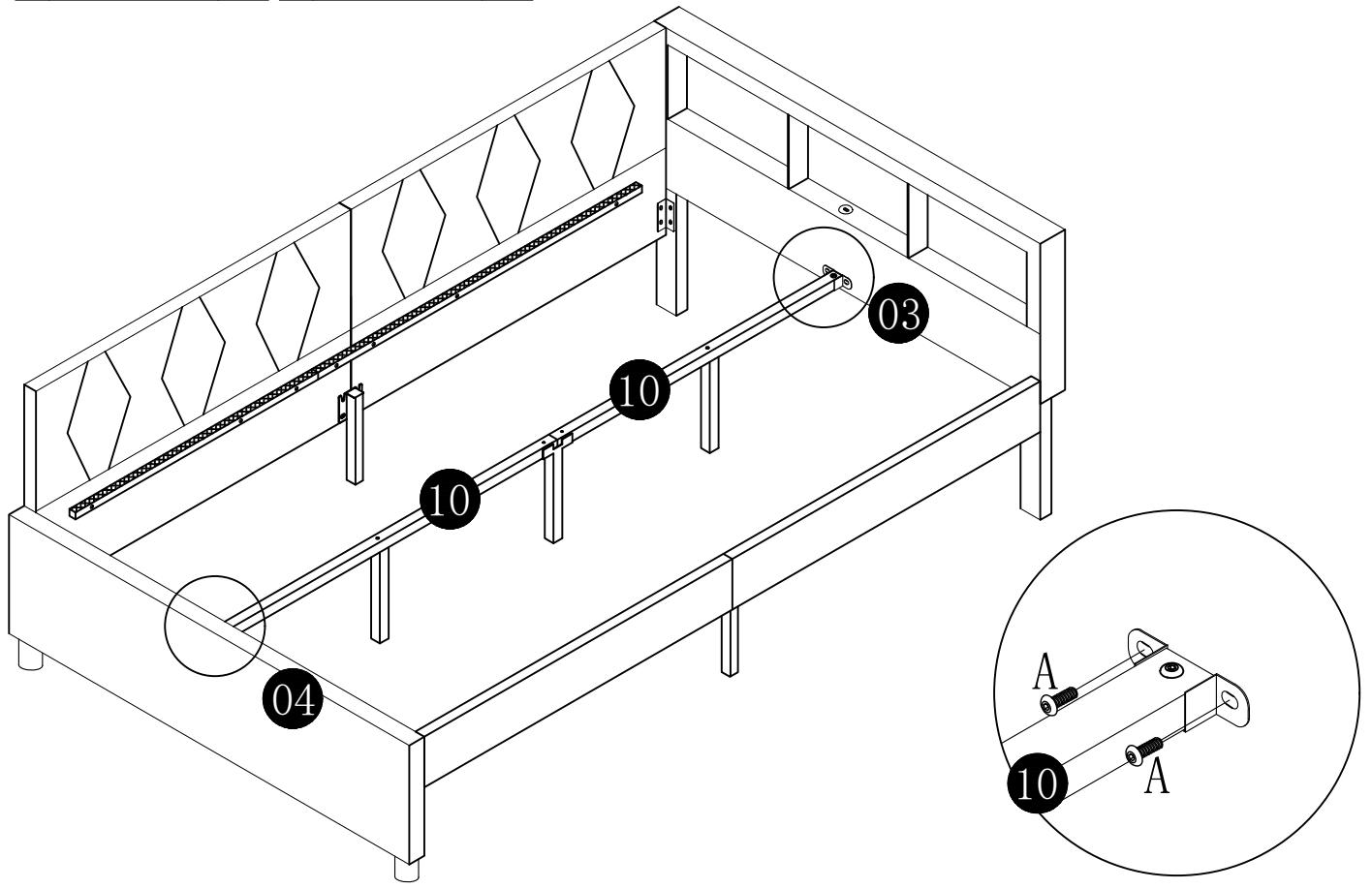




09

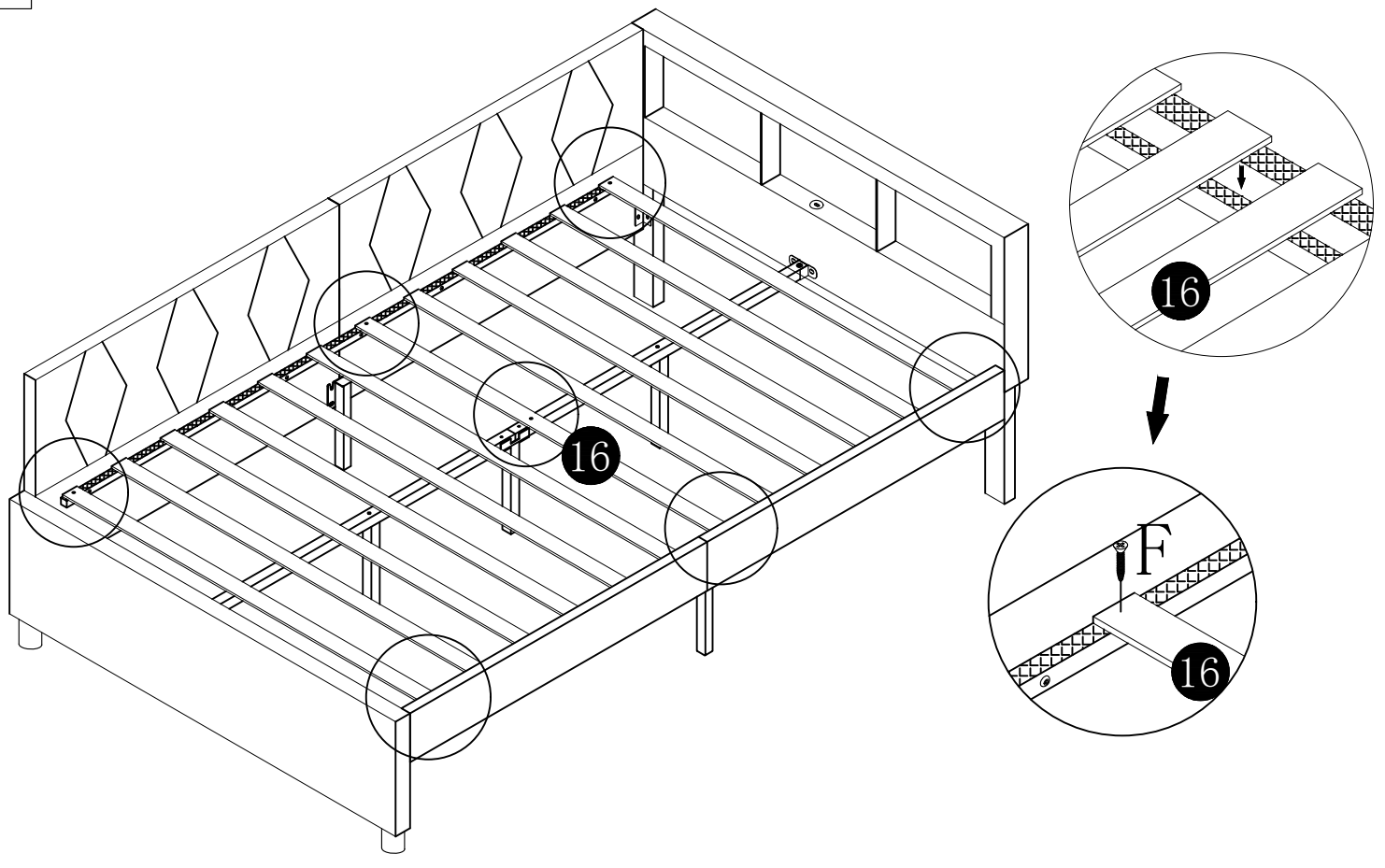
V		1	Q		2	O		2	S		1	P		2
	m8			29cm			m8			29cm				
W		1	L		2	C		6						
							8*40							





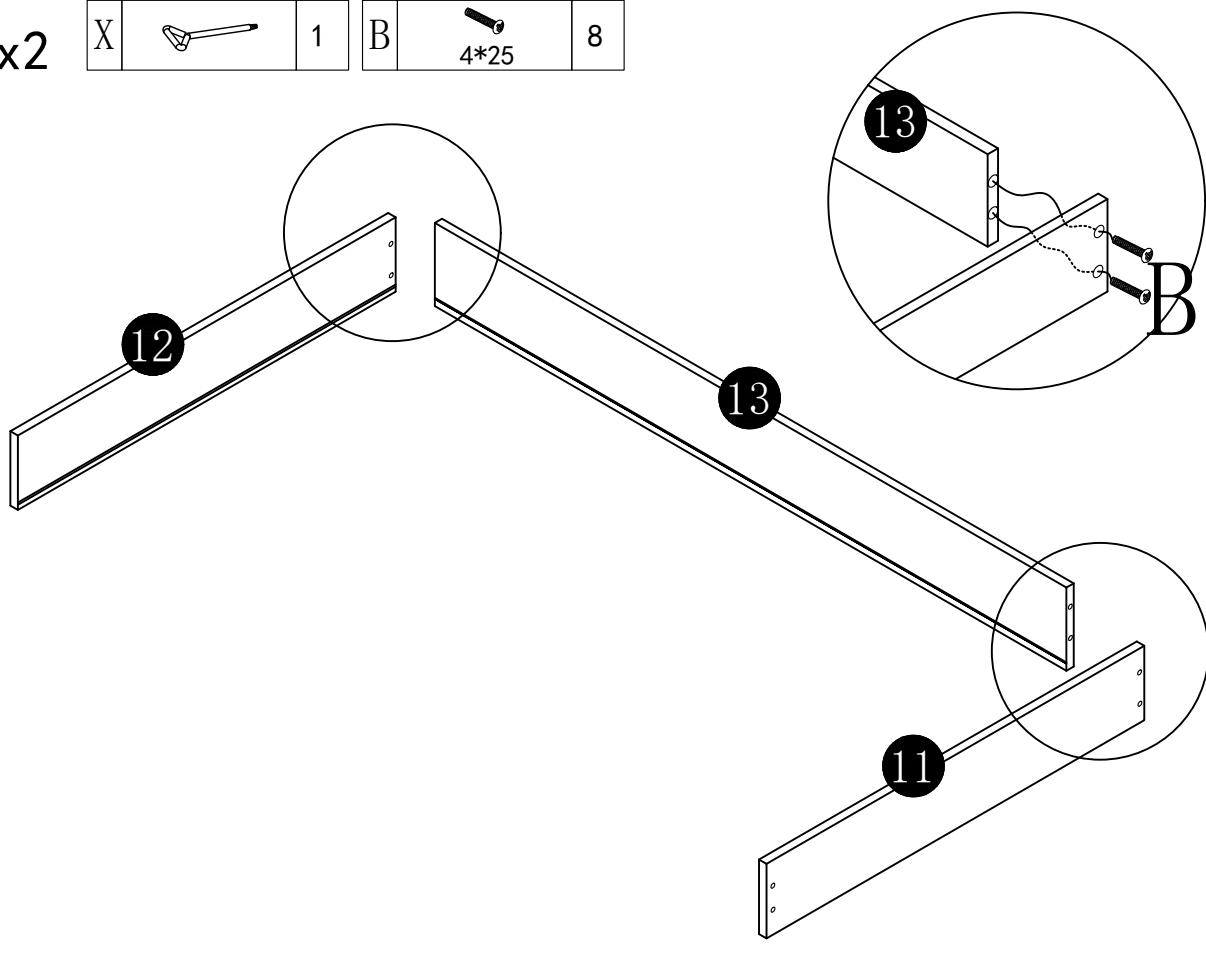
10	V	 m8	1	A	 8*18	4
----	---	--	---	---	--	---



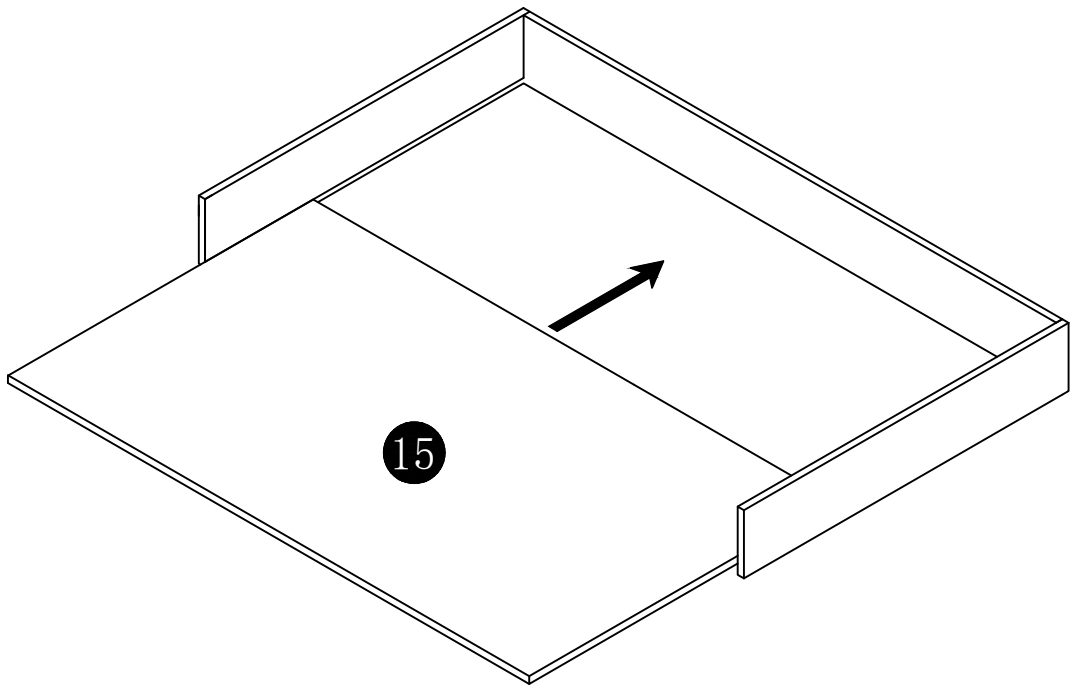
11	X		1	F	 3.5*30	7
----	---	---	---	---	--	---






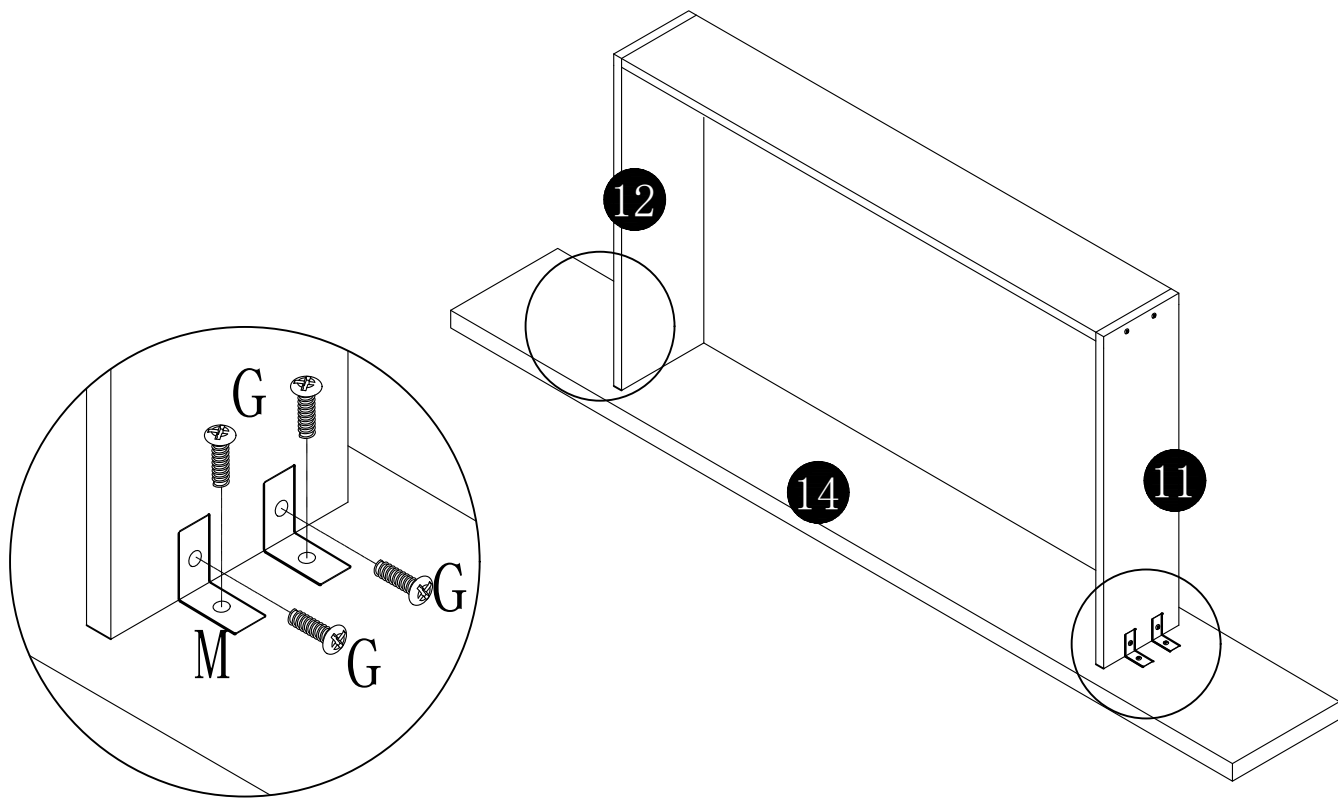
12 x2	X		1	B		4*25	8
-------	---	---	---	---	---	------	---



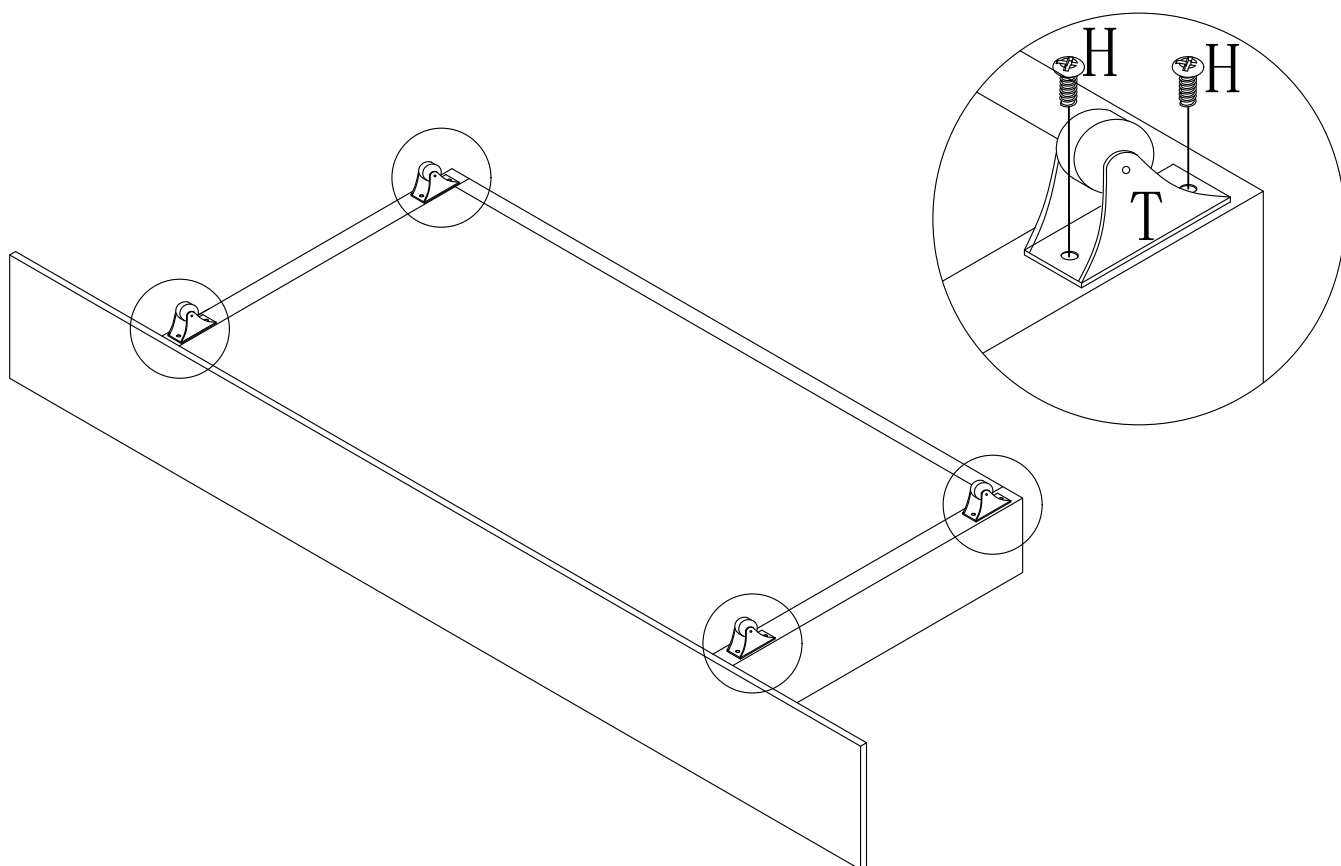
13 x2



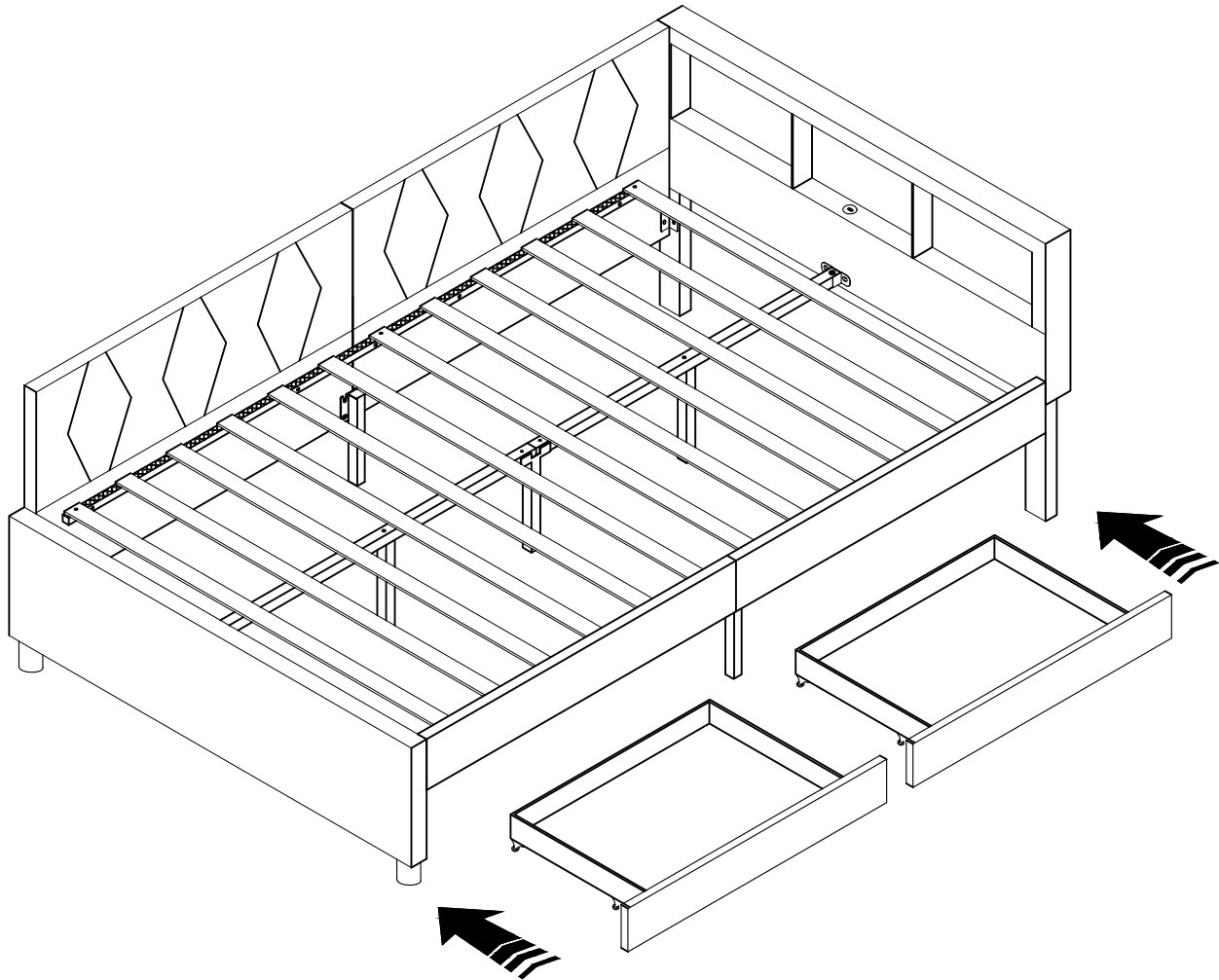
14	x2	X		1	M		8	G		4*10	16
----	----	---	---	---	---	---	---	---	--	------	----

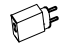


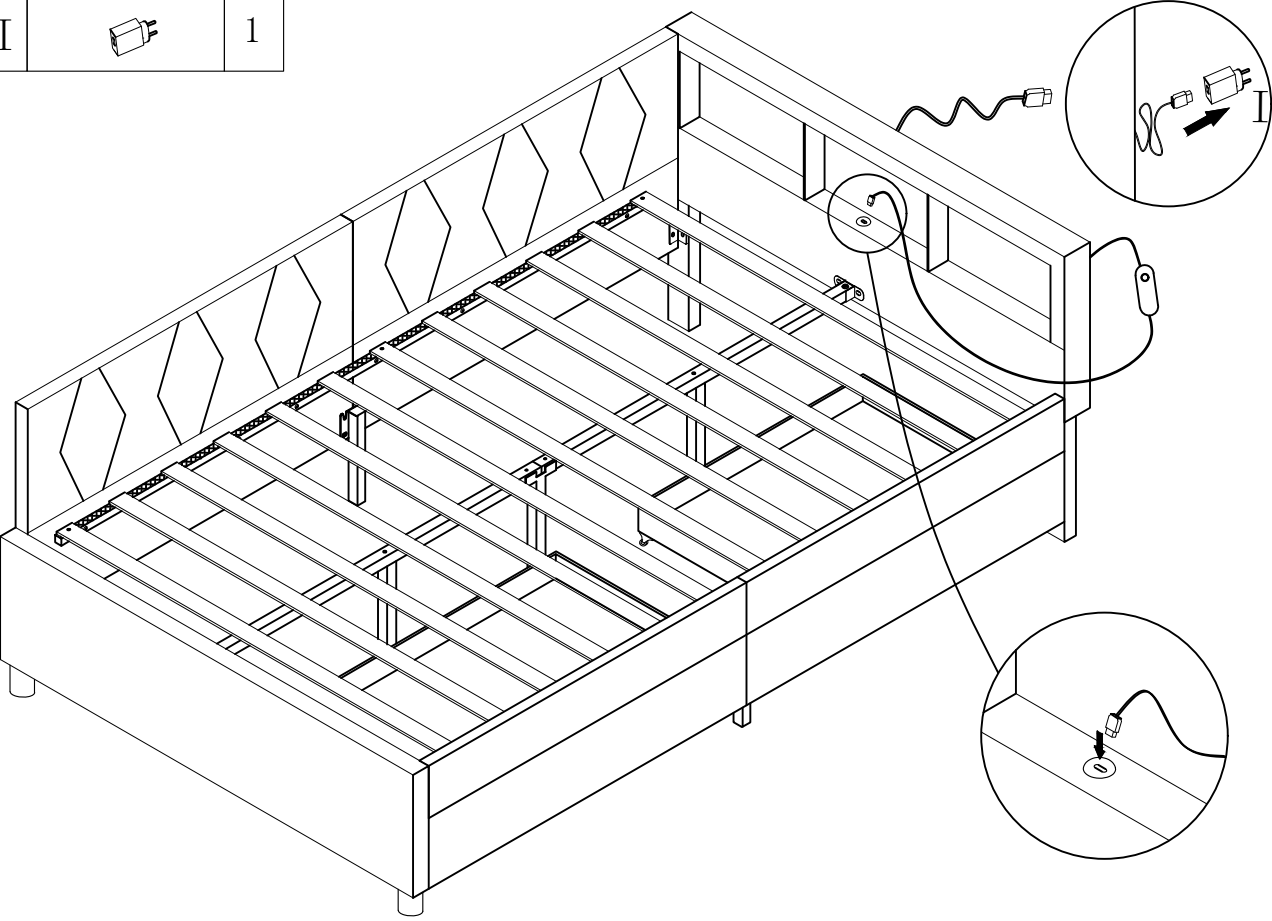
15	x2	X		1	T		8	H		4*14	16
----	----	---	---	---	---	---	---	---	--	------	----



16



17 I  1





Declaration of Conformity

Certificate No. : AOCE240301111-EC
Applicant : Zhongshan Quanluo Lighting Co., Ltd.
Address : 5th Floor, Building 2, No. 3, Yongyi 6th Road, Yongxing Industrial Zone,
Henglan Town, Zhongshan City, Guangdong Province
Product : LED Light Strip
Trademark : /
Model(s) : KB72RGB-S5050-12V, KB120RGB-S5050-12V, KB60RGB-S5050-12V,
KB30RGB-S5050-12V, KB72RGB-S5050-24V, KB120RGB-S5050-24V,
KB60RGB-S5050RGB-24V, KB30RGB-S5050-24V, KB120S2835-12V,
KB60S2835-12V, KB180S2835-12V, KB240S2835-12V, KB120S2835-24V,
KB60S2835-24V, KB180S2835-24V, KB240S2835-24V, KB180HCSS-12V,
KB240HCSS-12V, KB180HCSS-24V, KB240HCSS-24V, KB384COB-12V,
KB480COB-12V, KB480COB-24V, KB180COB-12V, KB196COB-12V,
KB320COB-12V, KB400COB-12V, KB320COB-24V, KB240COB-24V,
KB312COB-24V, KB360COB-24V, KB480COB-24V, KB400COB-24V,
KB512COB-24V
Manufacturer : Zhongshan Quanluo Lighting Co., Ltd.
Address : 5th Floor, Building 2, No. 3, Yongyi 6th Road, Yongxing Industrial Zone,
Henglan Town, Zhongshan City, Guangdong Province
Test Report : AOCE240301111-E

Complies with the requirements of the
EC EMC directive 2014/30/EU with amendments.

Test Standards:

EN IEC 55015:2019+A11:2020

EN 61547: 2009

EN IEC 61000-3-2:2019+A1:2021

EN 61000-3-3: 2013+A1:2019+A2:2021

Remarks:

The **CE** markings as shown below can be affixed on the product after preparation of necessary conformity documentation, as stipulated in article 10 of the Council Directive **93/68/EEC**.



Zhongshan AOCE Testing Technology Co., Ltd.

Disika, 1/F., No.42, Chang'an South Road, Henglan, Zhongshan, Guangdong, China.

Te: +86-0760-87553128 Web: www.aoce-lab.com Email: guanlilin@aoce-lab.com



Certificate of Conformity

Certificate Number: DL-20230725037C

Applicant: Yangxi Haichuan Electronic Technology Co., Ltd.
03E-01-01,ZhongshanHuoju Industrial Park, Yangxi County, Guangdong Province, China

Manufacturer: Yangxi Haichuan Electronic Technology Co., Ltd.
03E-01-01,ZhongshanHuoju Industrial Park, Yangxi County, Guangdong Province, China

Product: Power adapter

Model No.: HCC1
HCC2, HCC3, HCC4, HCC5, HCC6, HCC7, HCC8, HCC9, HCC10

Test Standard: EN 55032:2015+A1:2020
EN IEC 61000-3-2:2019+A1:2021, EN 61000-3-3:2013+A1:2019+A2:2021
EN 55035:2017+A11:2020
EN 61000-4-2:2009, EN IEC 61000-4-3:2020, EN 61000-4-4:2012,
EN 61000-4-5:2014+A1:2017, EN IEC 61000-4-6:2022,
EN 61000-4-8:2010, EN IEC 61000-4-11:2020

The EUT described above has been tested by us with the listed standards and found in compliance with the council EMC directive 2014/30/EU. It is possible to use CE marking to demonstrate the compliance with this EMC Directive. It is only valid in connection with the test report number: DL-20230725037E.



This certificate of conformity is based on a single evaluation of the submitted sample(s) of the above mentioned product. It does not imply an assessment of the whole product and relevant. Without the written approval, It is not permitted to use the test lab's logo.

Shenzhen DL Testing Technology Co., Ltd.
101-201, Building C, Shuanghuan, No.8, Baoqing Road, Baolong Industrial Zone, Baolong Street,
Longgang District, Shenzhen, Guangdong, China

Web: www.dl-cert.com E-mail: Service@dl-cert.com Tel: 400-688-3552



Room 303, Building 1, No.316, Renzhou Road,
Shatian Town, Dongguan City, Guangdong Province
www.junantest.com



CERTIFICATE OF CONFORMITY

No: JAT24090502151EC-1

Applicant : Yongman Electronics Factory
Address : One of the first floors, No. 19 Yongsheng Road, Bogong Community,
Dongfeng Town, Zhongshan City
Manufacturer : Yongman Electronics Factory
Address : One of the first floors, No. 19 Yongsheng Road, Bogong Community,
Dongfeng Town, Zhongshan City
EUT : USB Charger
Trade Mark : N/A
M/N : USB-A+C、USB-A+A、USB-AA+C

The submitted sample of the above equipment has been tested and found to comply with the following European Directive:

Electromagnetic Compatibility Directive 2014/30/EU

The standard(s) used for showing compliance with the essential requirements:


Applicable Standard(s)	Test Report(s) Number
EN 55032:2015+A11:2020 EN 55035:2017+A11:2020 EN IEC 61000-3-2:2019+A2:2024 EN 61000-3-3:2013+A2:2021+AC:2022-01	JAT24090502151ER-1

This certificate is part of the full test report(s) and should be read in conjunction with it. This certificate is based on an evaluation of one sample of above mentioned product. It does not imply assessment of the production of the product. Without the written approval of Dongguan Jun'an Testing & Certification Co., Ltd., this certificate is not permitted to be reproduced, except in full. It is not permitted to use the test lab's logo. The CE marking may only be used if all the relevant and effective European Directive are applicable.



September 5, 2024



Importeur	DECOBUS HANDEL GMBH
Address	Innungsstrasse 9,21244 Buchholz,Deutschland
Email/URL	https://www.decobusgroup.de
Hersteller	Yangxi County Haichuan Electronic TechnologyCo., Ltd
Address	Plot 03E-01-01,Yangxi Industrial Park, Zhongshan Torch, Yangxi county,Yangjiang,Guangdong,CN(china)
Email/URL	824947433@qq.com
Partienummer	20250710
Hergestellt in China	
	DECOBUS HANDEL GMBH
	InnungsstraBe 9,21244 Buchholz,Deutschland
	https://www.decobusgroup.de

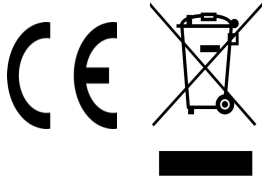
Produkt:POWER ADAPTER

Modell:HCC1

Nennspannung:5V

Nennfrequenz:5V2A

Leistung:10W



Importeur	DECOBUS HANDEL GMBH
Address	Innungsstrasse 9,21244 Buchholz,Deutschland
Email/URL	https://www.decobusgroup.de
Hersteller	Yongman Electronics Factory
Address	One of the first floors, No.19 Yongsheng Road, Bogong Community, Dongfeng Town, Zhongshan City
Email/URL	824947433@qq.com
Partienummer	20250710
Hergestellt in China	
	DECOBUS HANDEL GMBH
	InnungsstraBe 9,21244 Buchholz,Deutschland
	https://www.decobusgroup.de

Produkt:USB Charge

Modell:USB-AA+C




Nennspannung:5V

Nennfrequenz:5V2A

Leistung:10W



Importeur	DECOBUS HANDEL GMBH
Address	Innungsstrasse 9,21244 Buchholz,Deutschland
Email/URL	https://www.decobusgroup.de
Hersteller	Zhongshan Quanluo Lighting Co., Ltd.
Address	5th Floor, Building 2, No. 3, Yongyi 6th Road, Yongxing Industrial Zone, Henglan Town, Zhongshan City, Guangdong Province
Email/URL	qlzmcn@outlook.com
Partienummer	20250710
Hergestellt in China	
	DECOBUS HANDEL GMBH
	InnungsstraBe 9,21244 Buchholz,Deutschland
	https://www.decobusgroup.de



 Produkt:LED LIGHT
 Modell:KB30RGB-S5050-5V
 Nennspannung:5V
 Nennfrequenz:50/60Hz
 Leistung:4.3W


FR
 Cet appareil, ses cordons, et batterie se recyclent

À DÉPOSER EN MAGASIN  OU  À DÉPOSER EN DÉCHÈTERIE

Points de collecte sur www.quefairedemesdechets.fr
 Privilégiez la réparation ou le don de votre appareil !