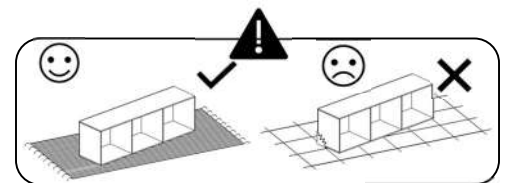
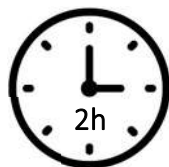
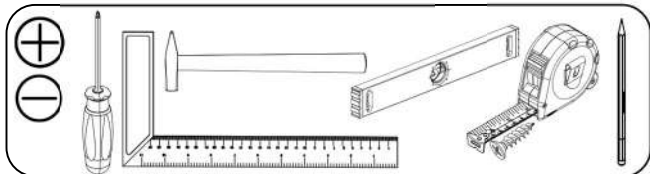
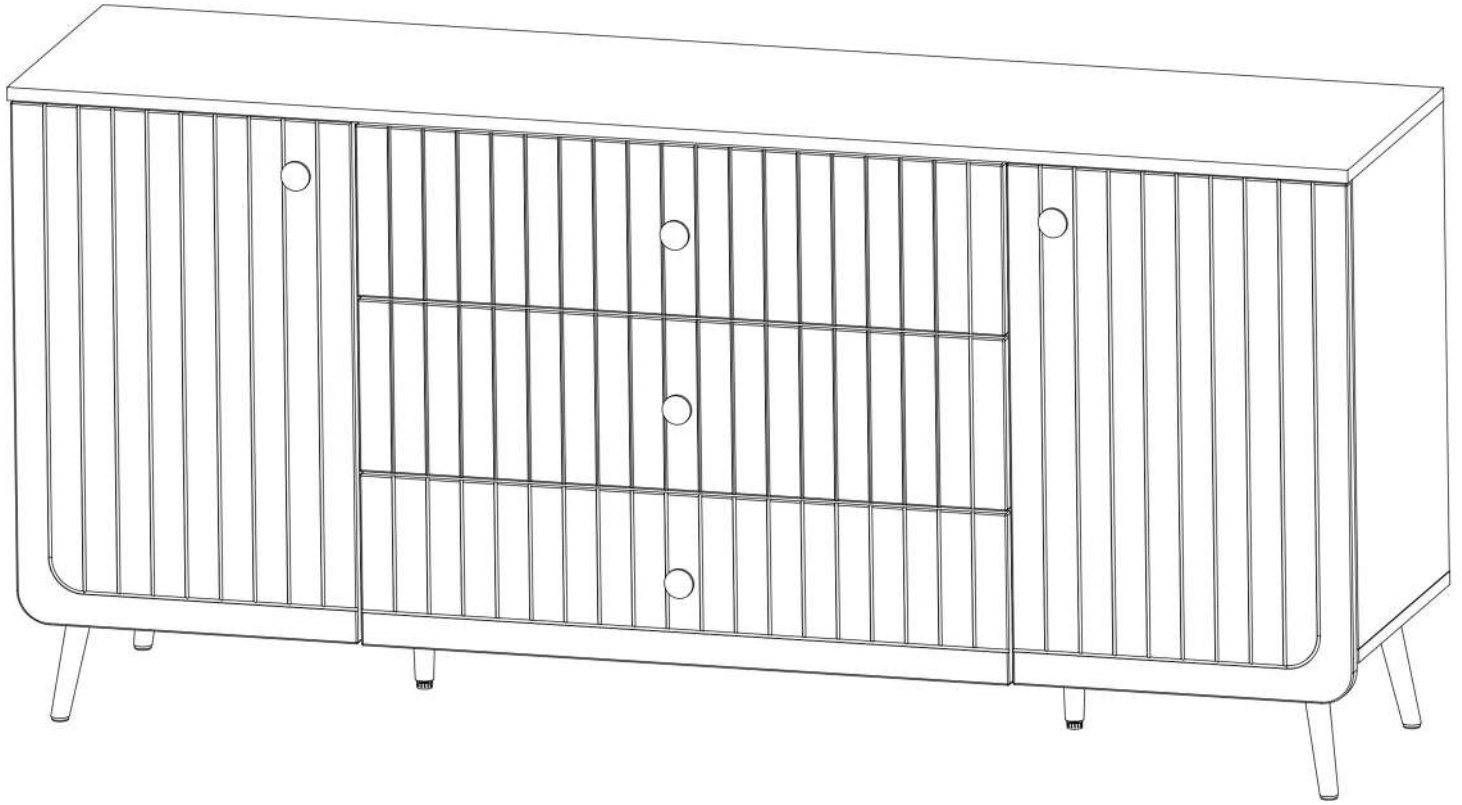
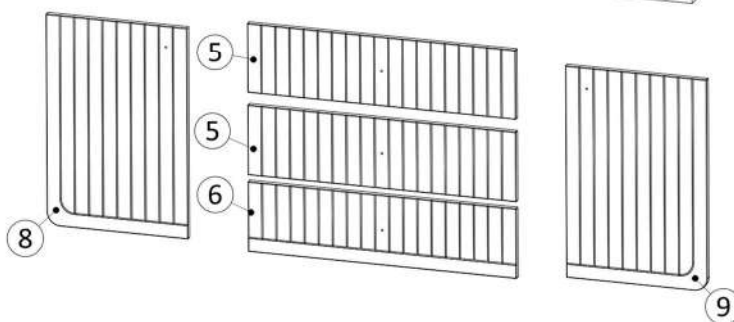
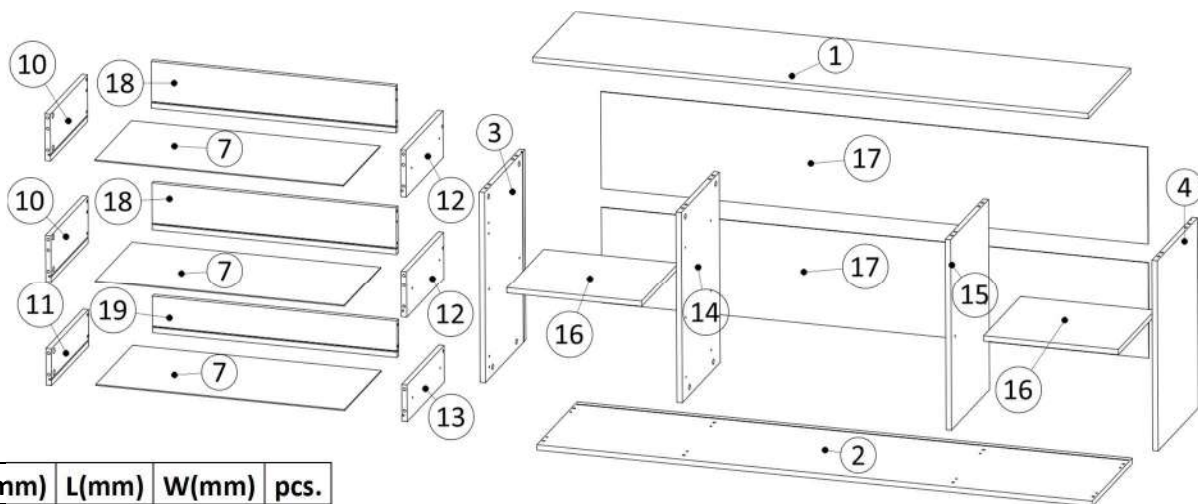


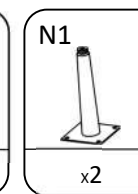
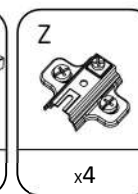
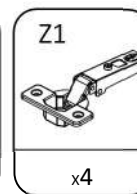
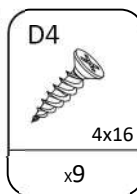
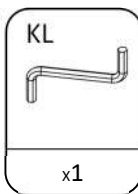
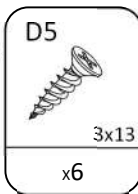
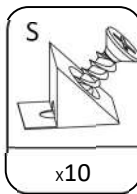
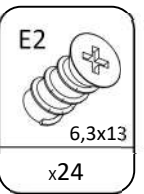
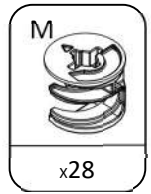
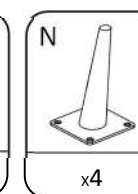
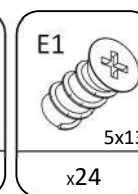
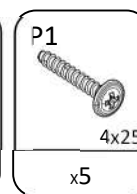
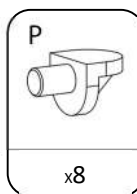
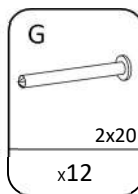
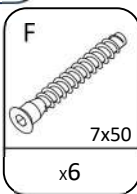
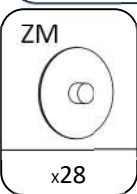
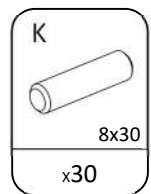
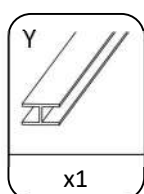
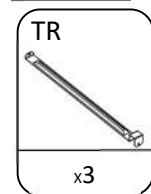
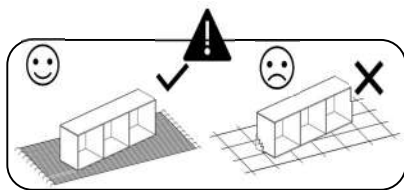
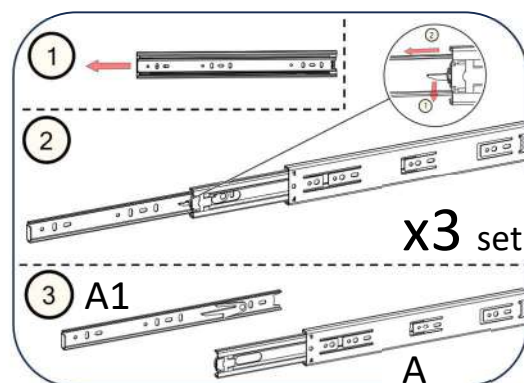
CHLOE

K 2D3S

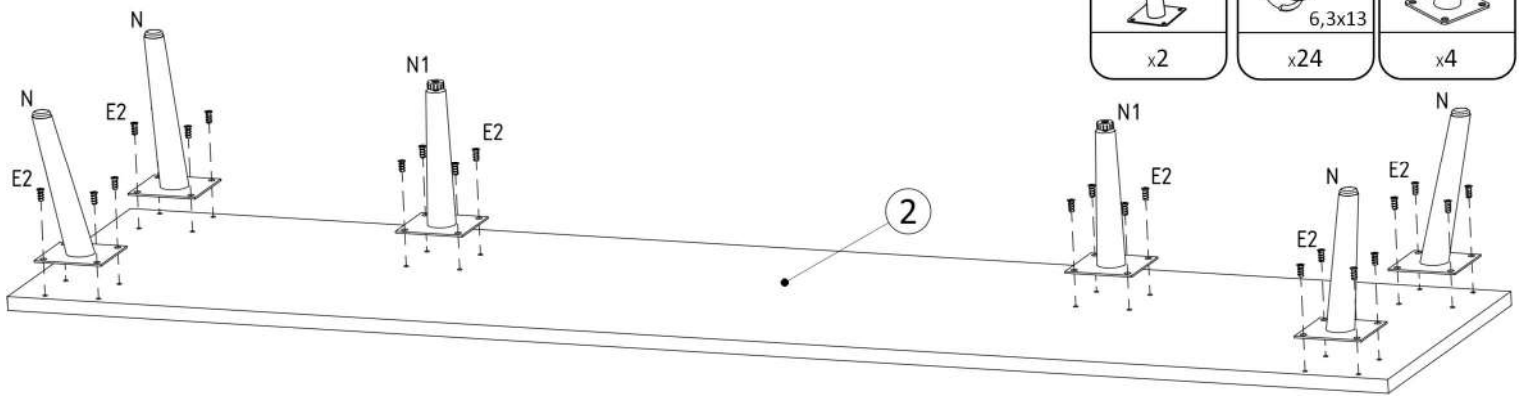




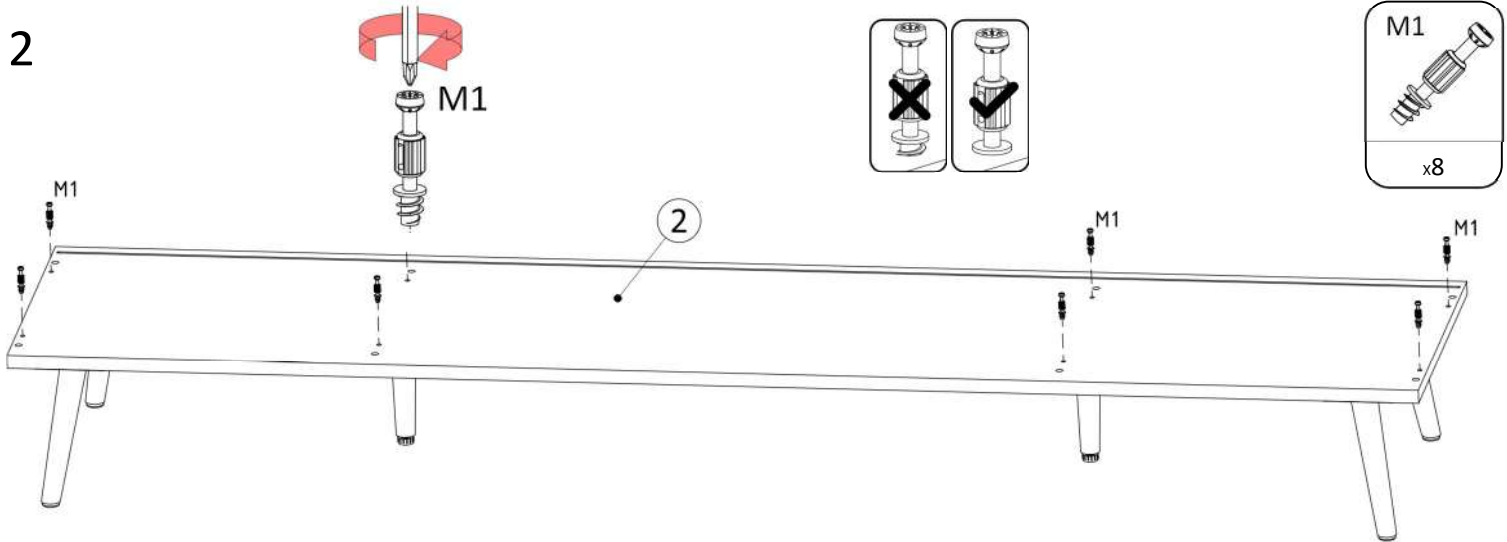
No	T(mm)	L(mm)	W(mm)	pcs.
1	16	1651	400	1
2	16	1651	380	1
3	16	574	380	1
4	16	574	380	1
5	16	210	798	2
6	16	210	798	1
7	3	740	346	3
8	16	636	420	1
9	16	636	420	1
10	16	350	140	2
11	16	350	110	1
12	16	350	140	2
13	16	350	110	1
14	16	574	358	1
15	16	574	358	1
16	16	401	348	2
17	3	1627	291	2
18	16	727	140	2
19	16	727	110	1



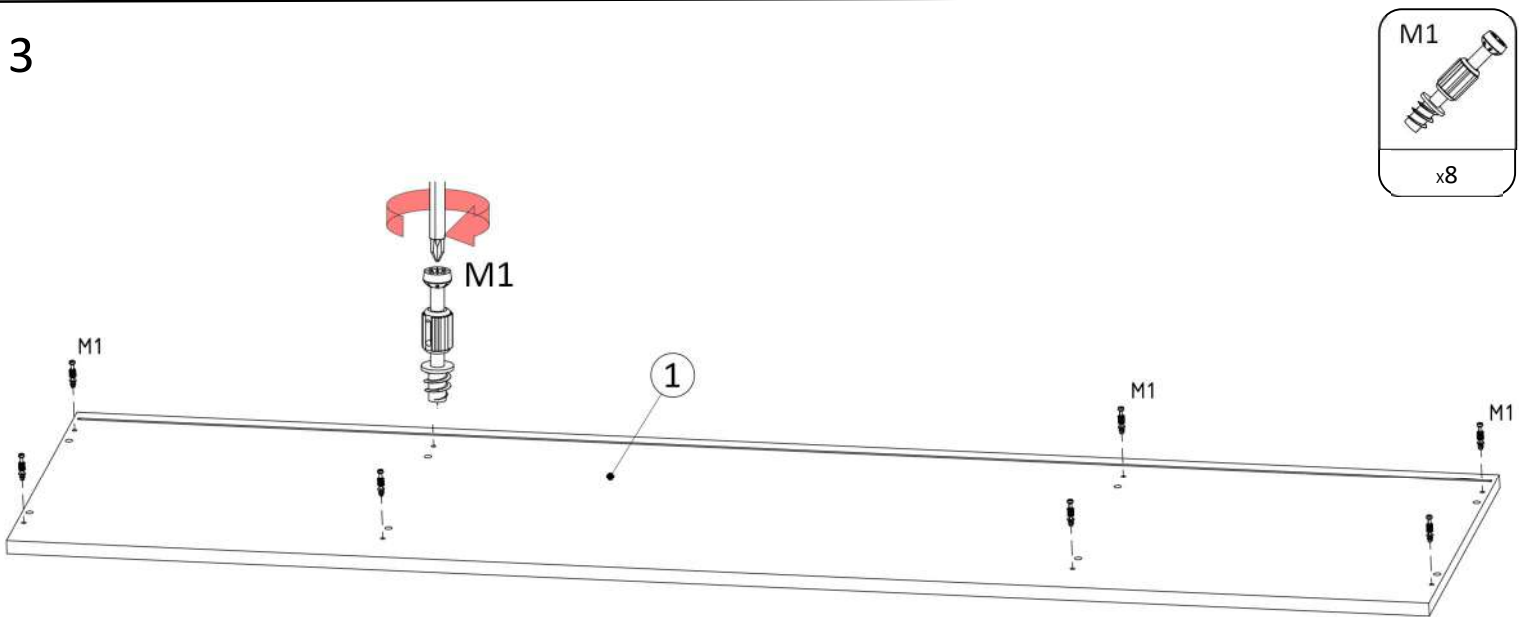
1




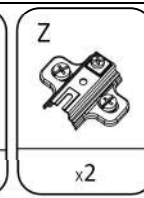
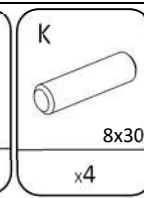
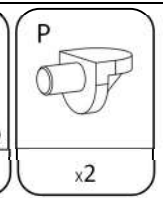
2

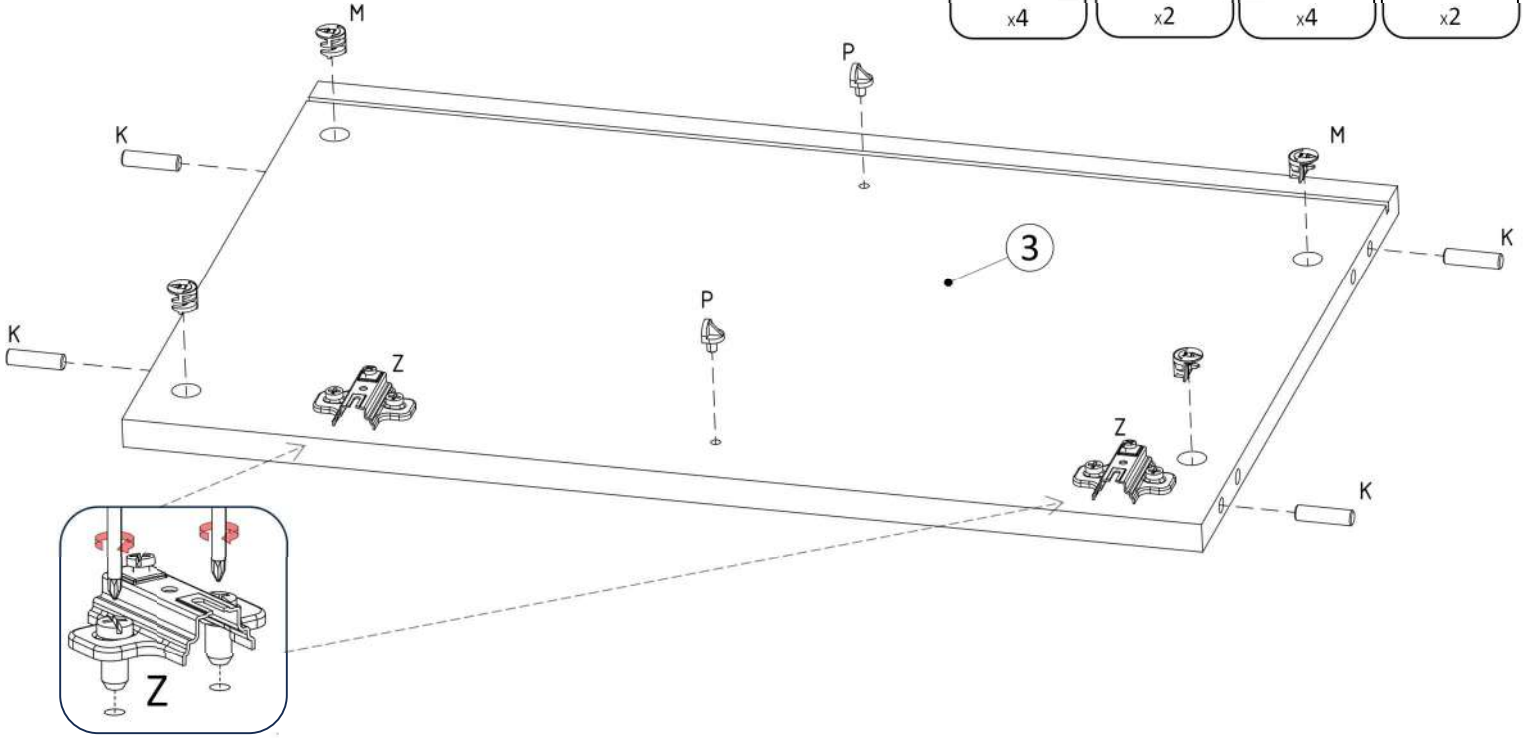


3

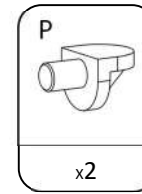

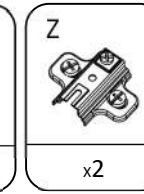
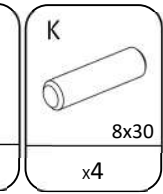


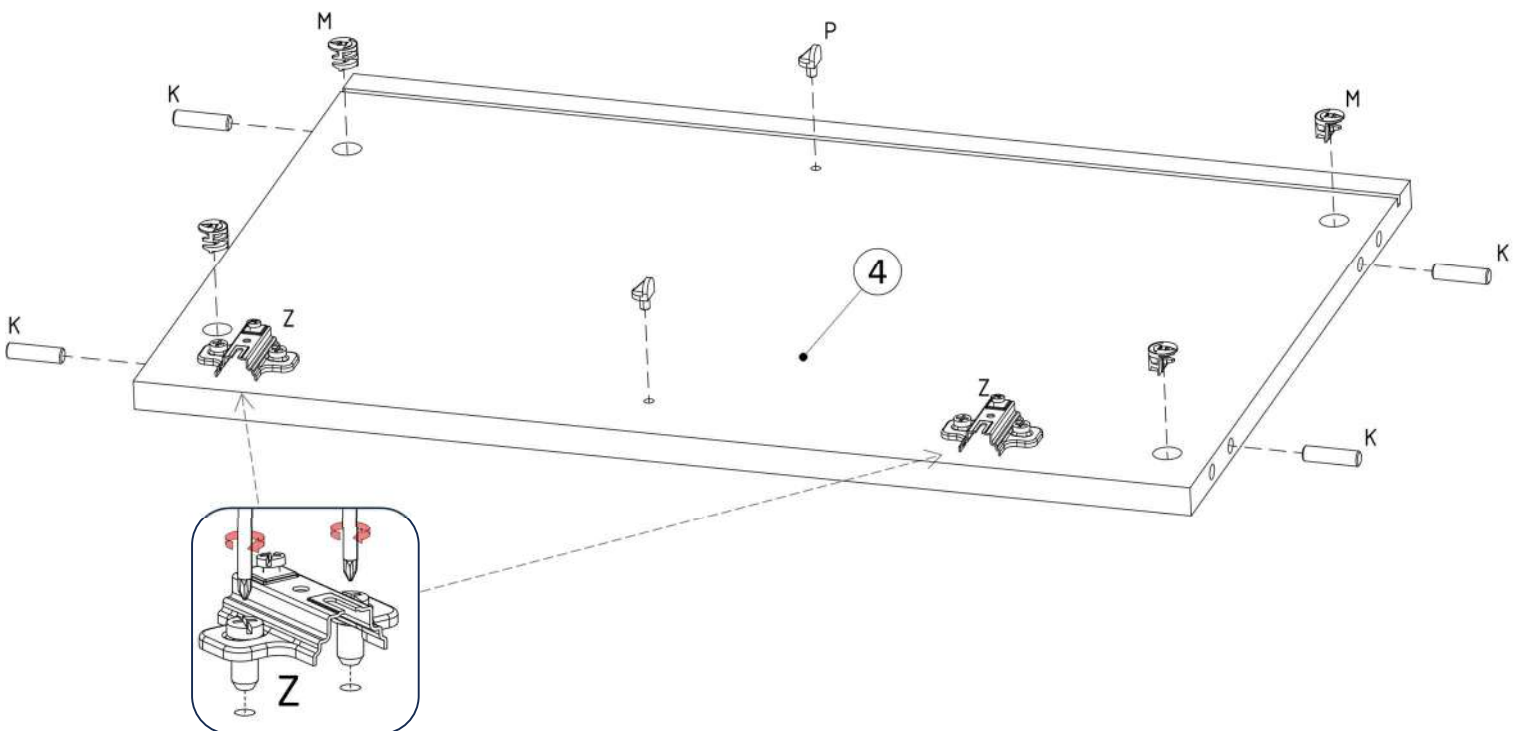
4

 M x4	 Z x2	 K 8x30 x4	 P x2
----------------------------------------------------------------------------------------------	-----------------------------------------------------------------------------------------------	-------------------------------------------------------------------------------------------------------	-----------------------------------------------------------------------------------------------

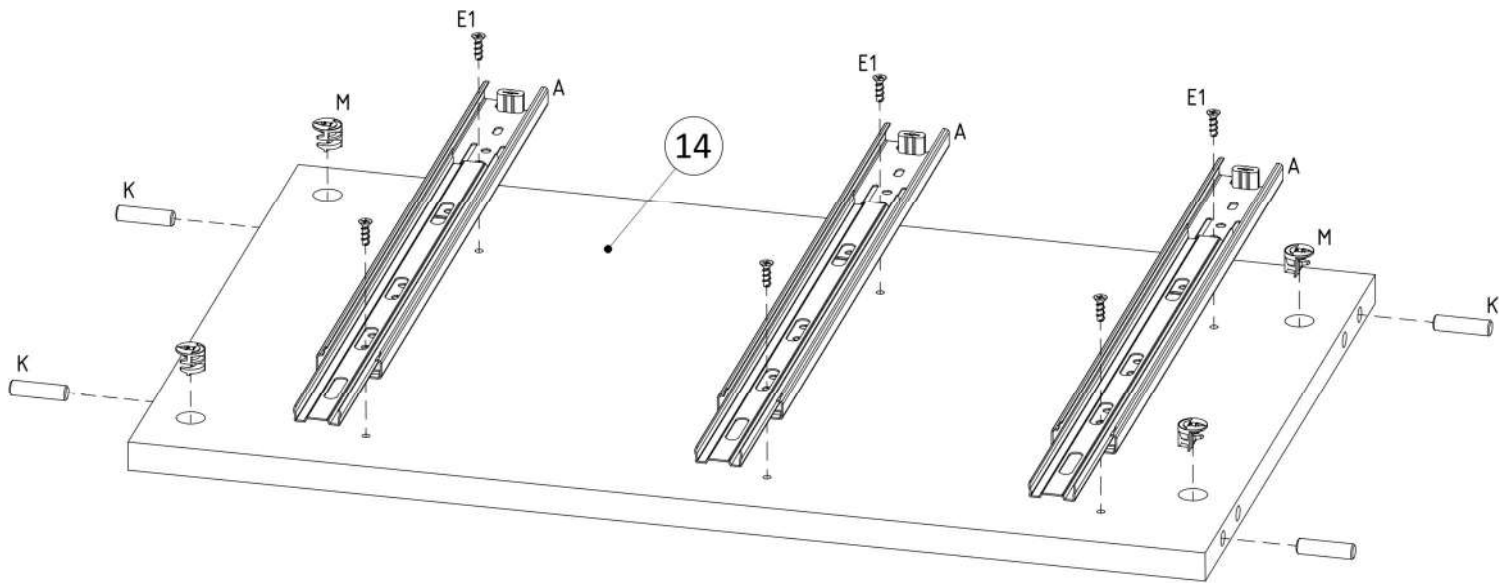
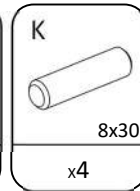
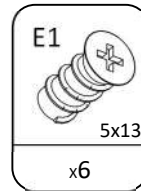
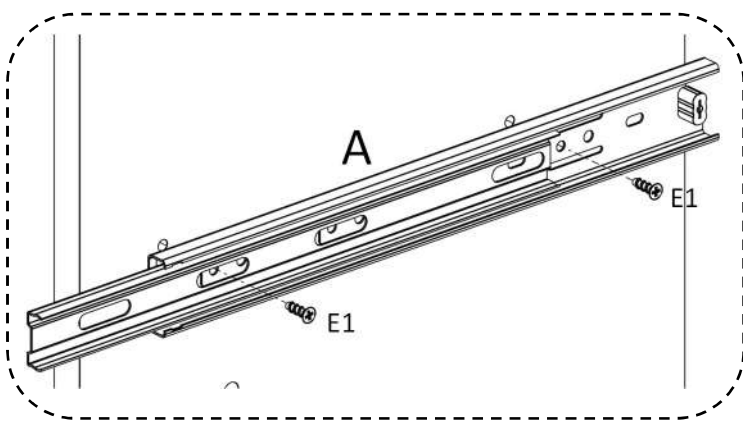


5

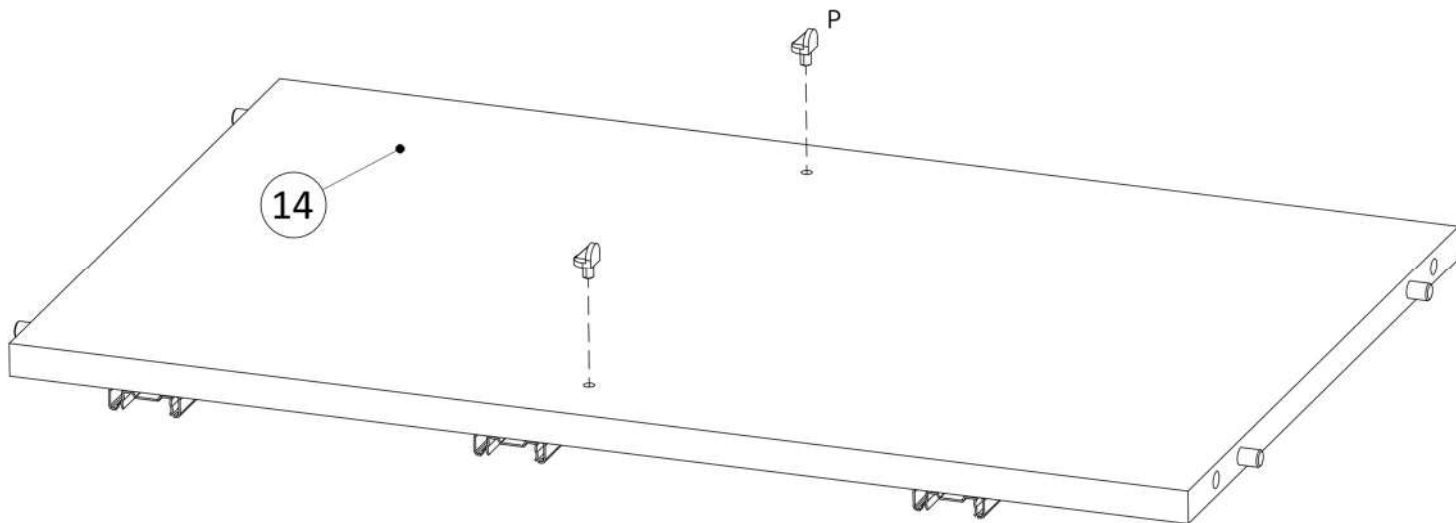
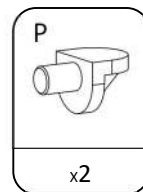
 P x2	 M x4	 Z x2	 K 8x30 x4
-------------------------------------------------------------------------------------------------	--------------------------------------------------------------------------------------------------	--------------------------------------------------------------------------------------------------	----------------------------------------------------------------------------------------------------------



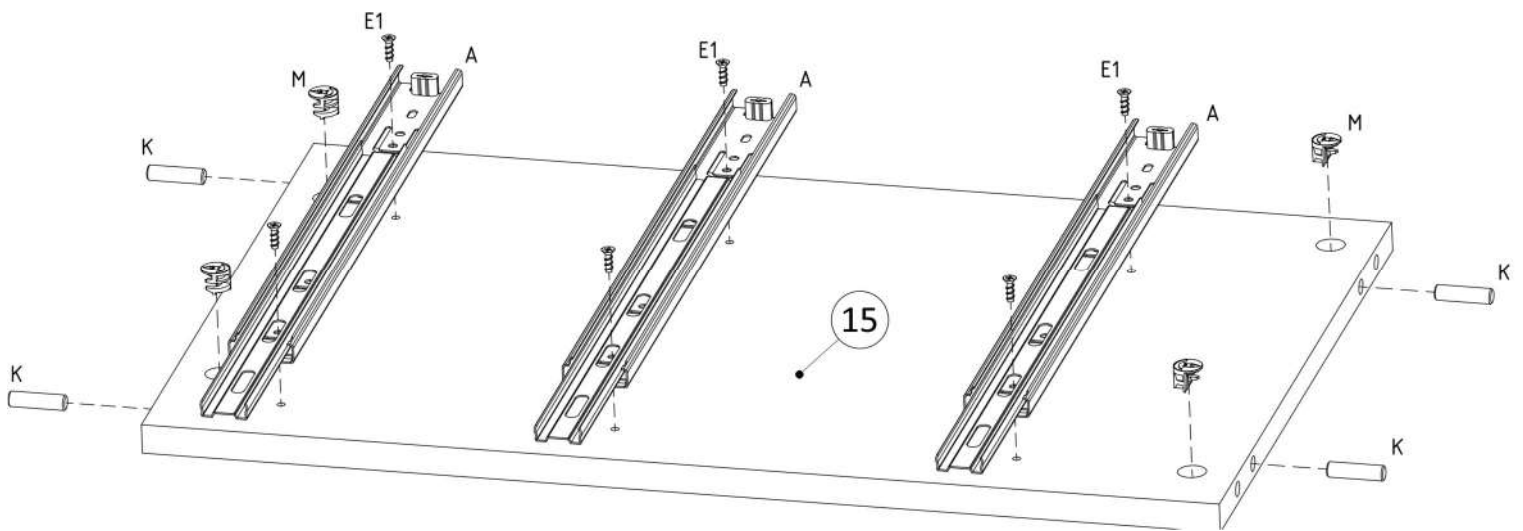
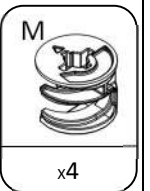
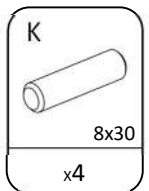
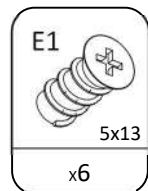
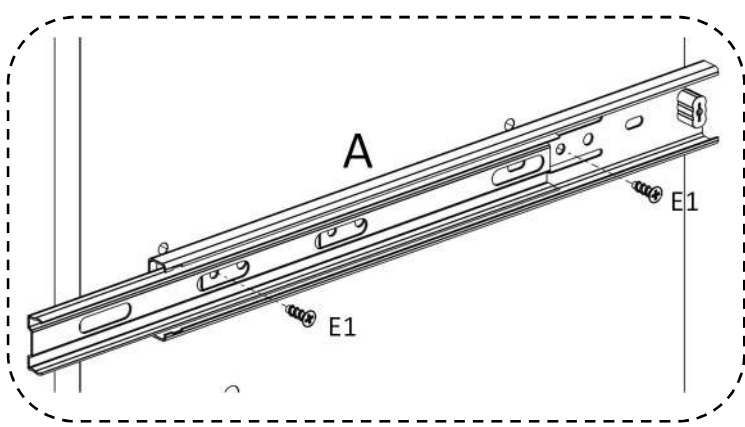
6



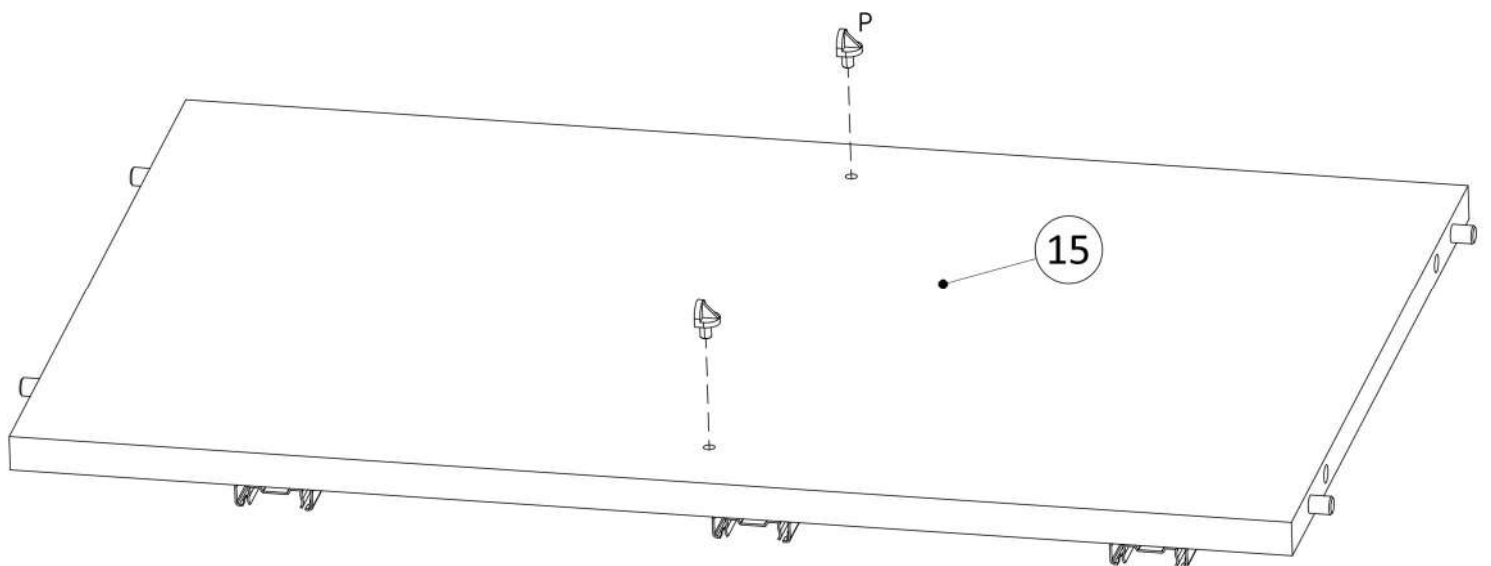
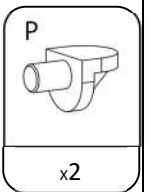
7



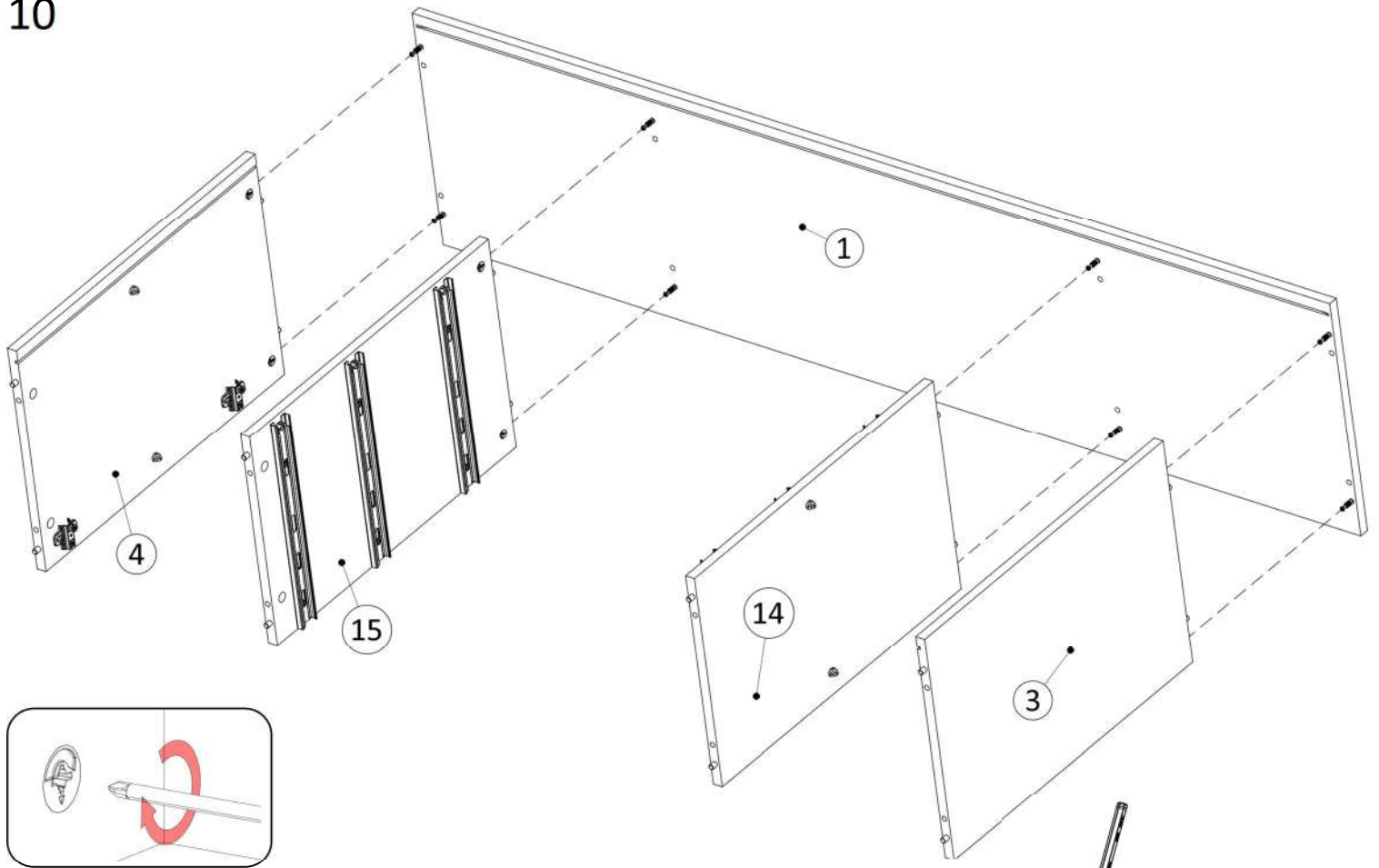
8



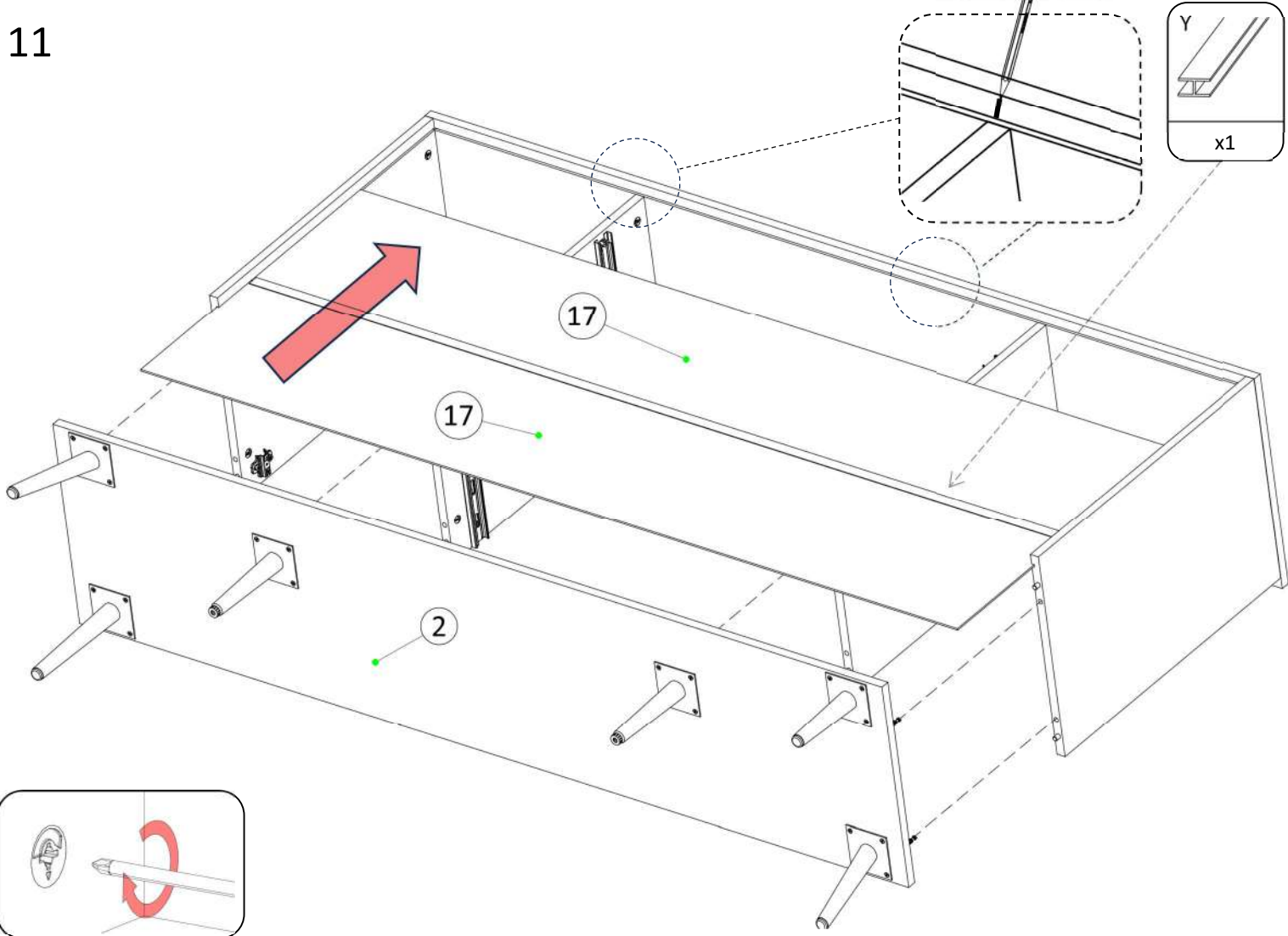
9



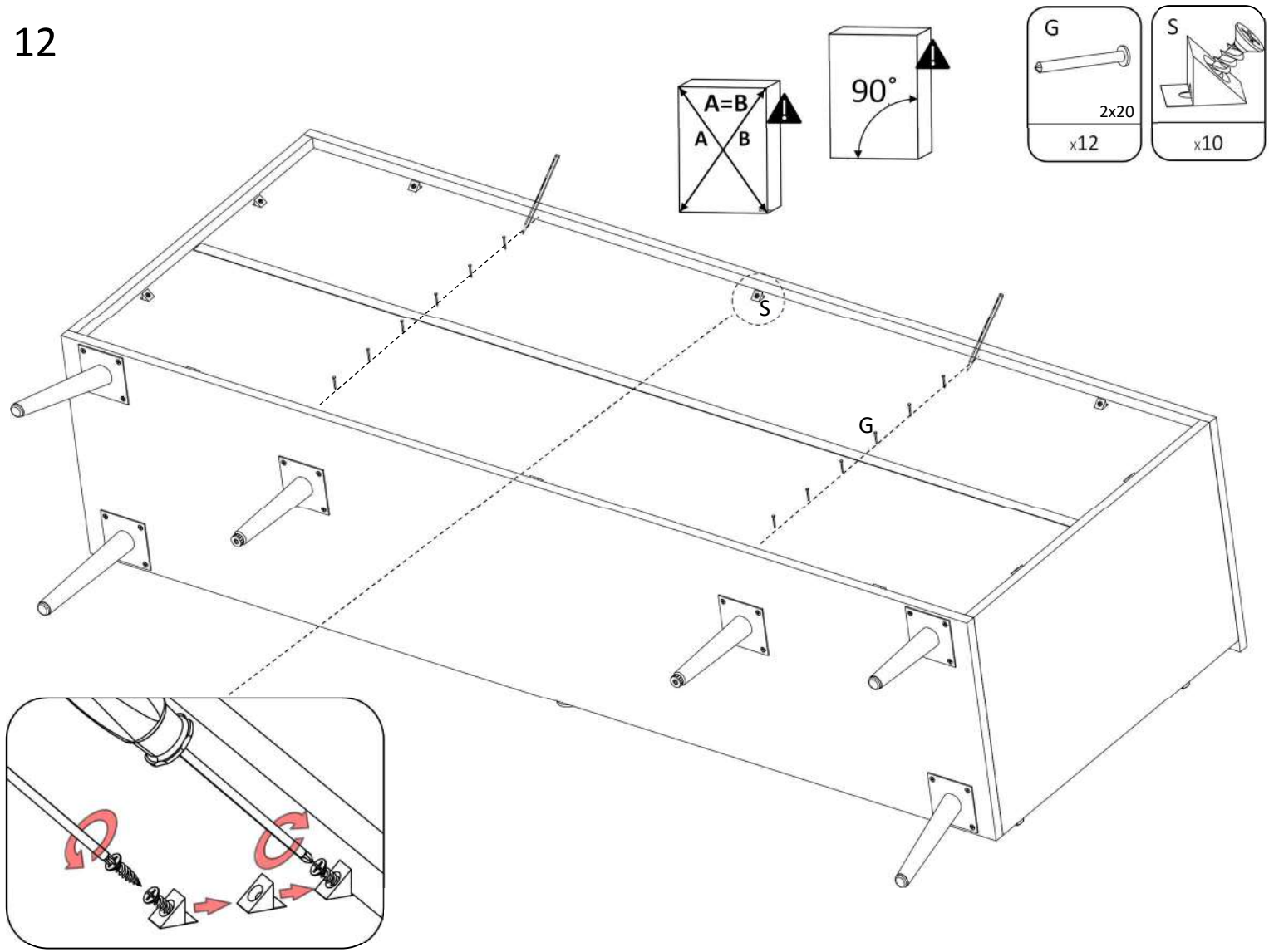
10



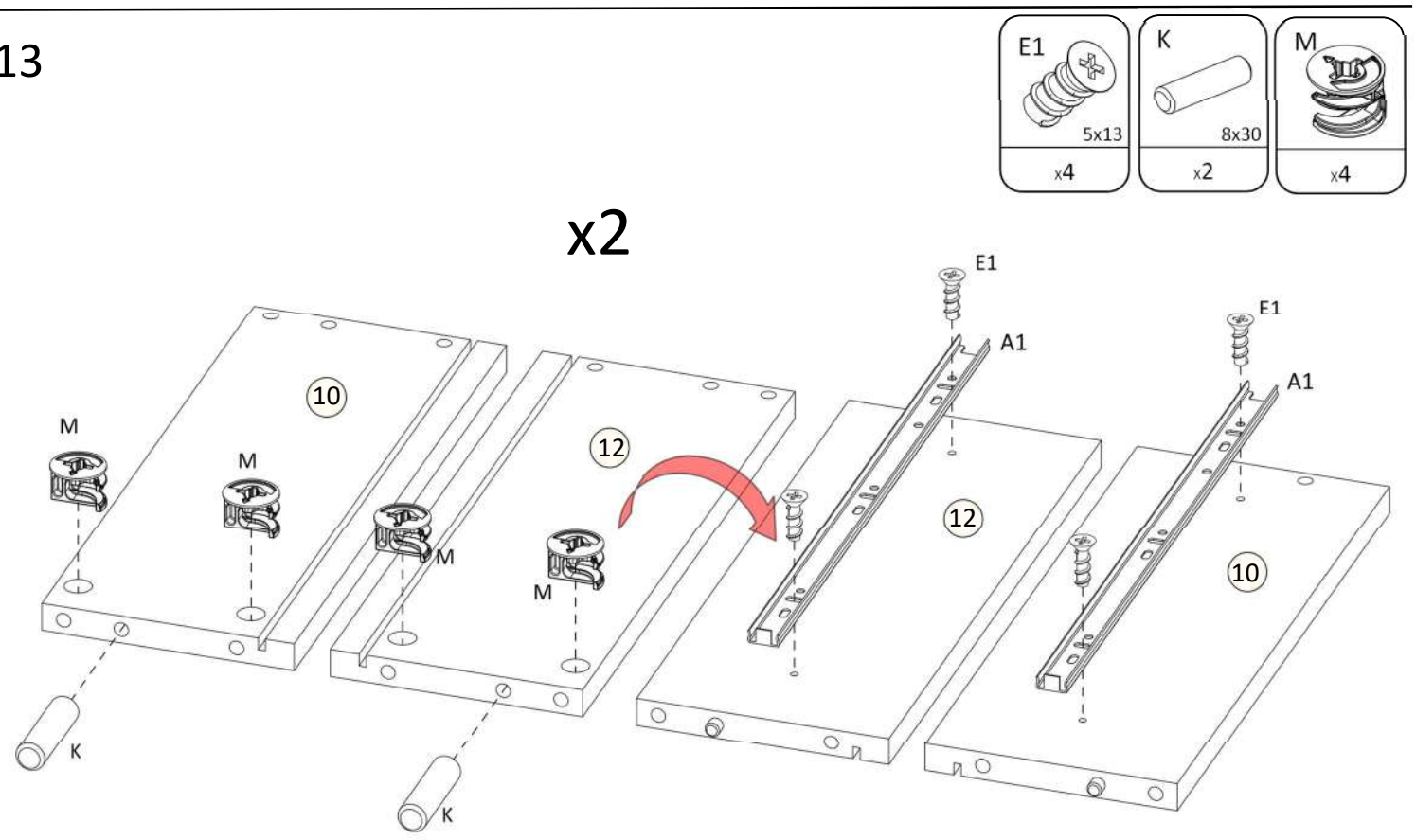
11

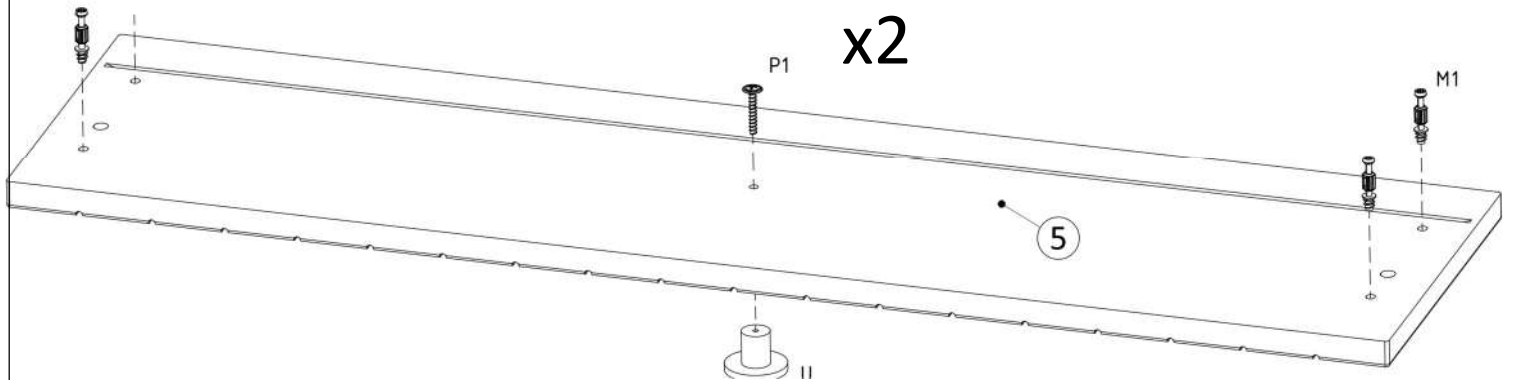
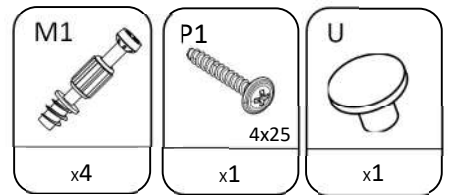
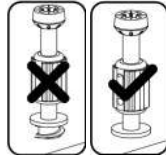
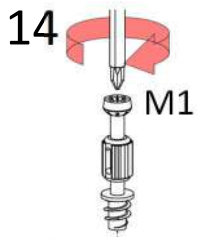


12



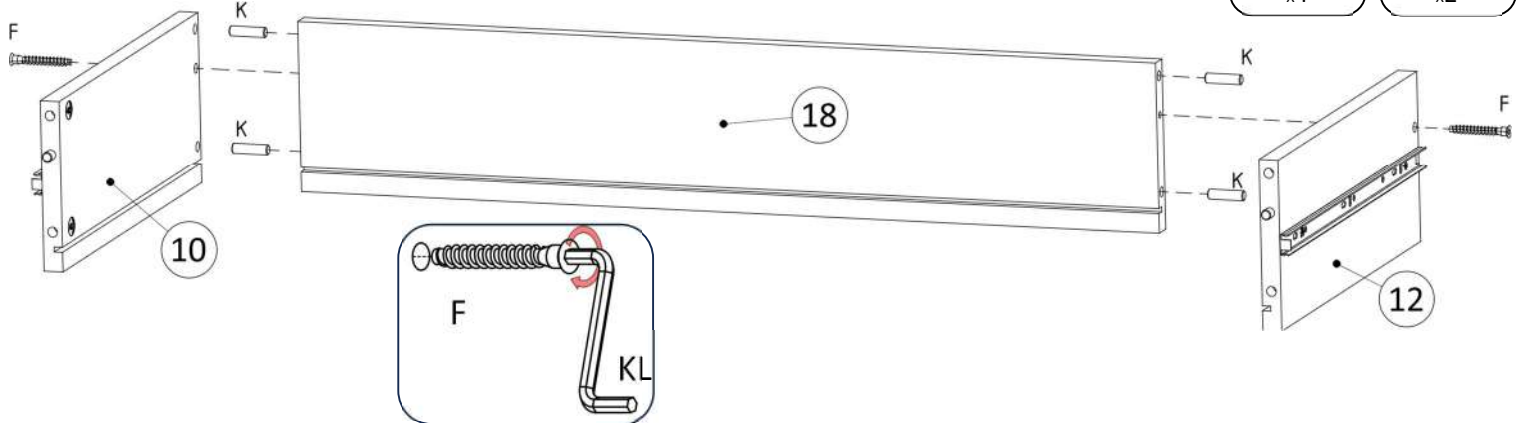
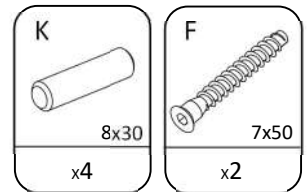
13





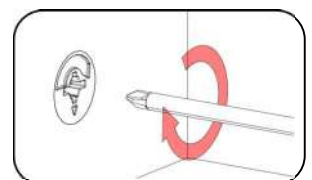
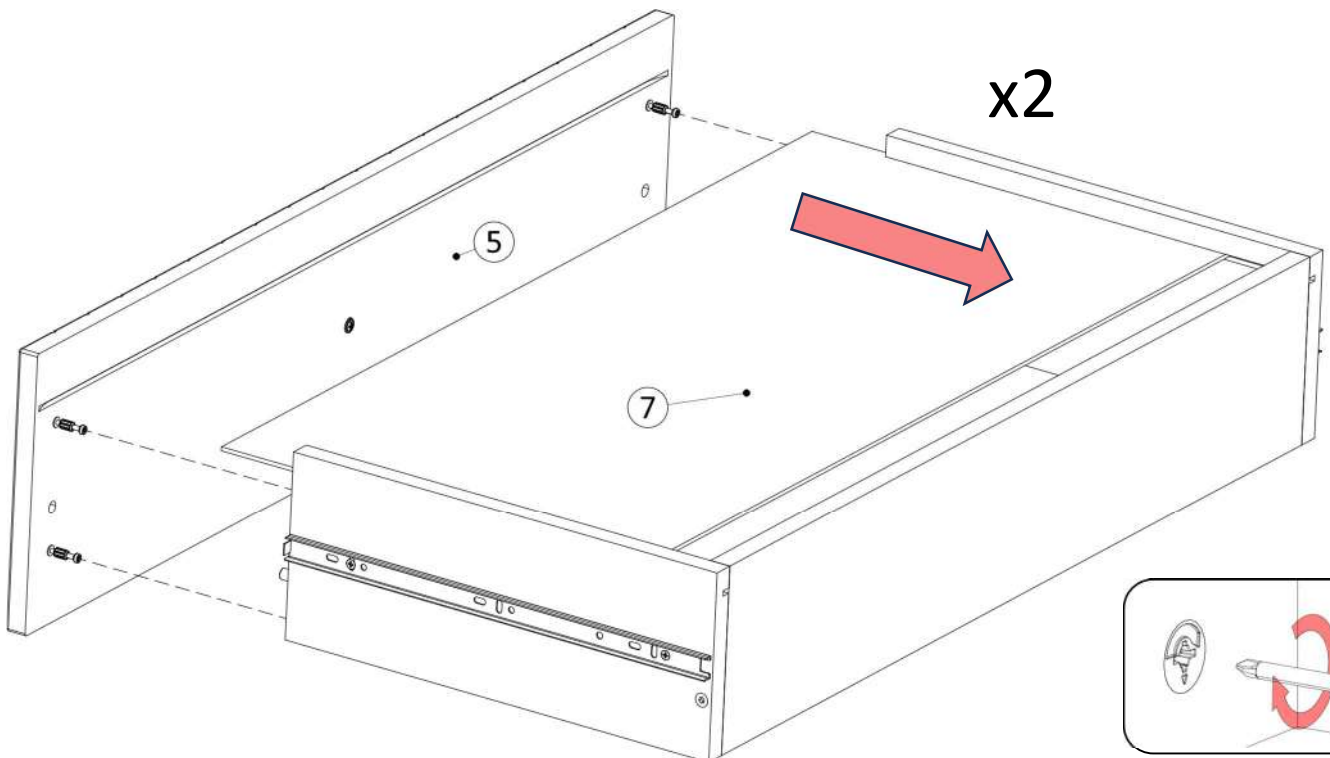
15

x2

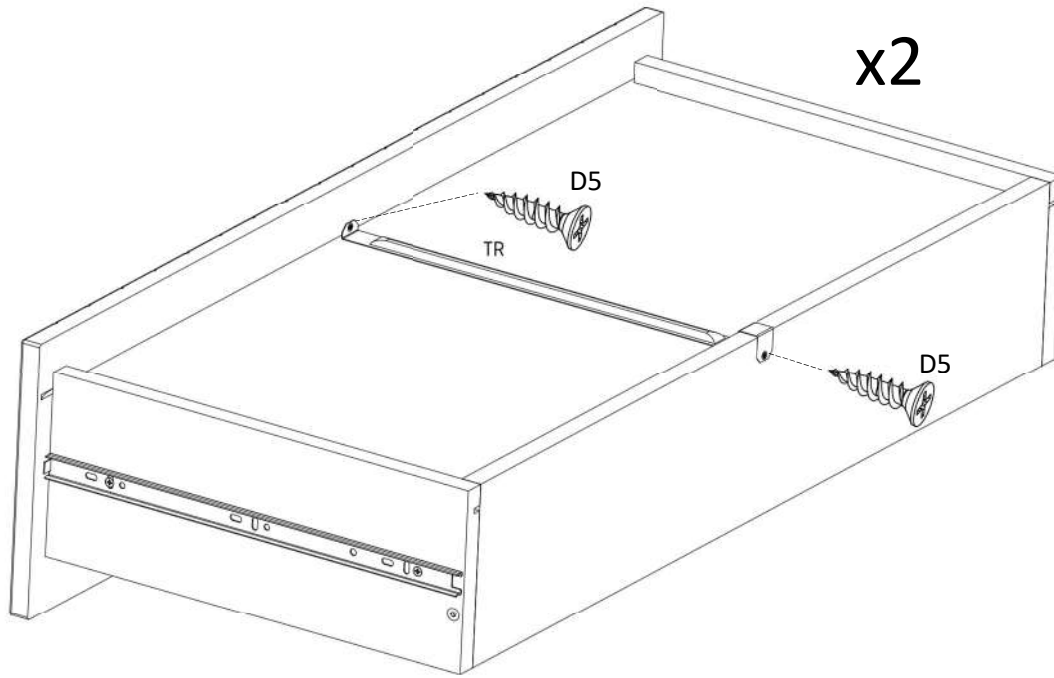


16

x2

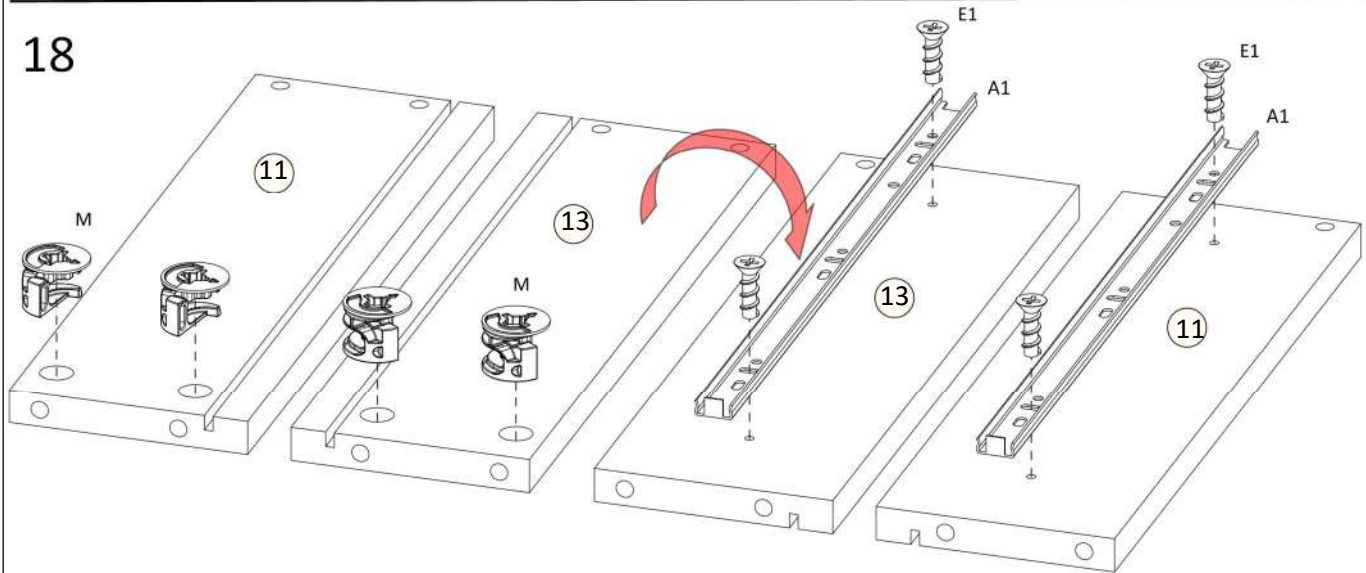


17



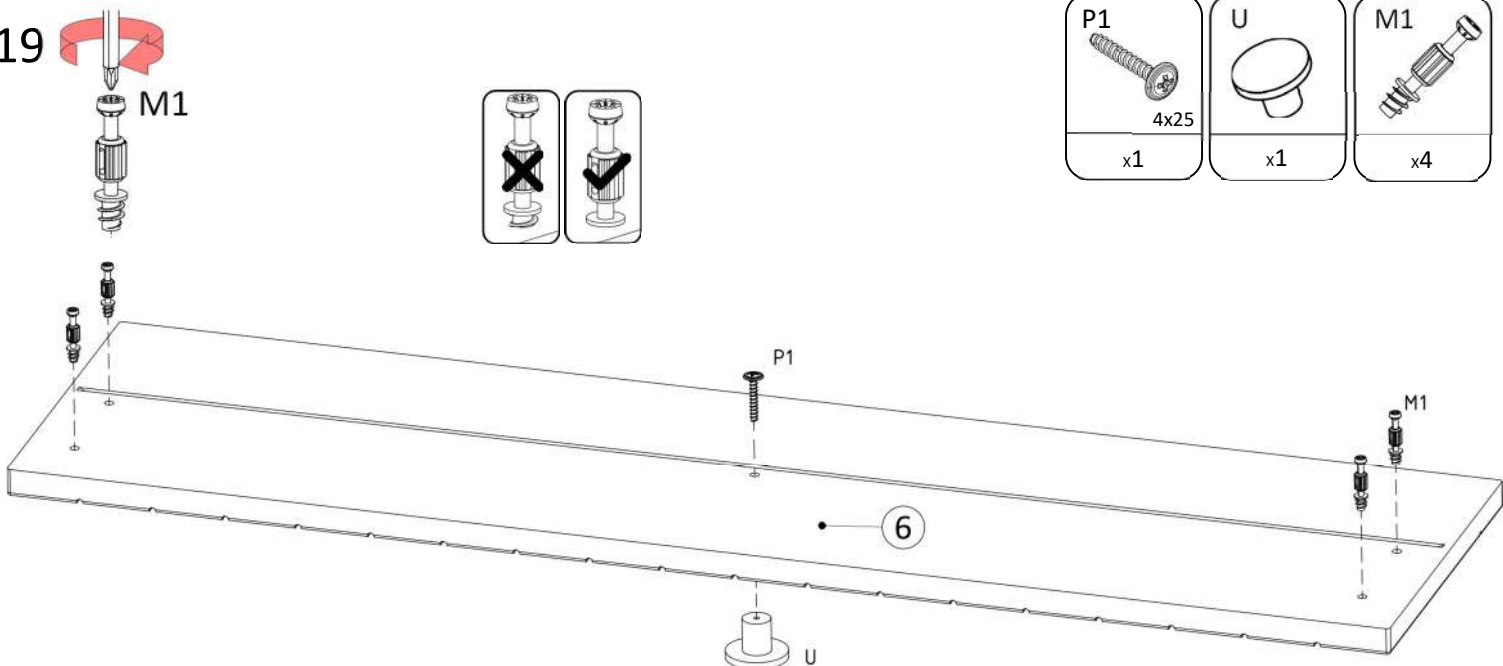
TR	D5
x1	x2

18



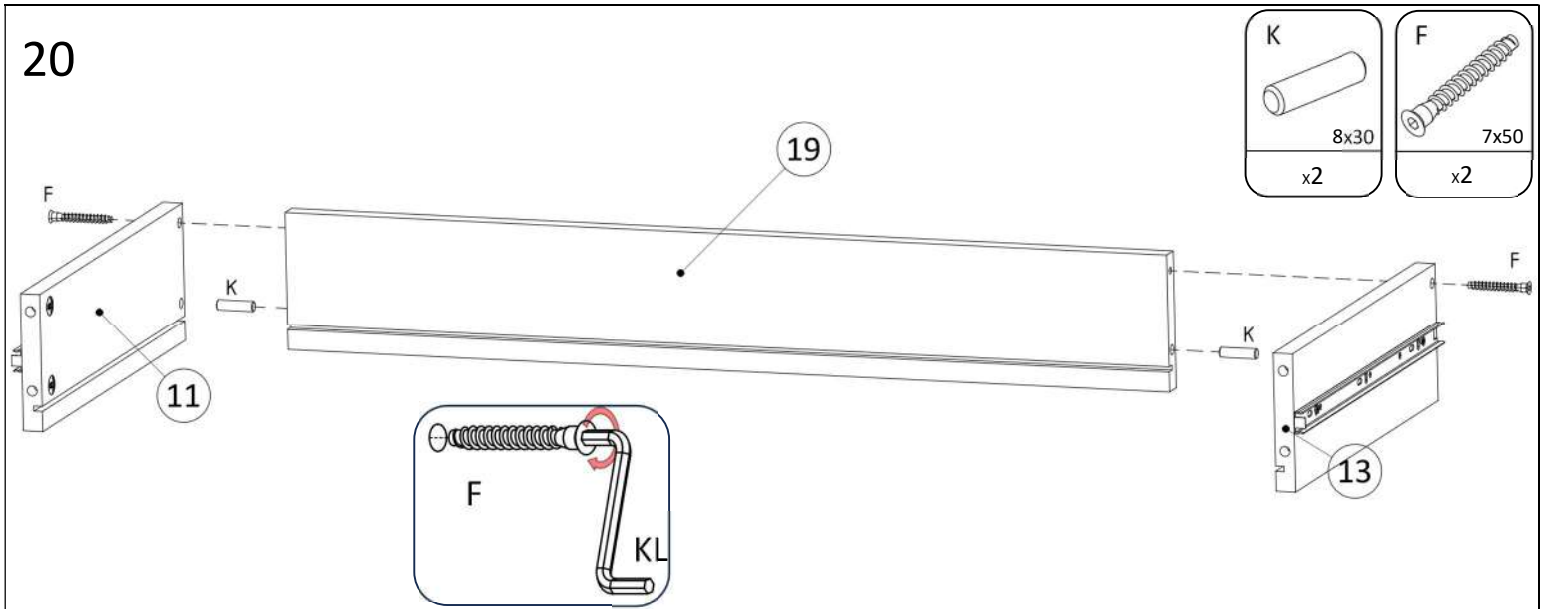
M	E1
x4	x4

19

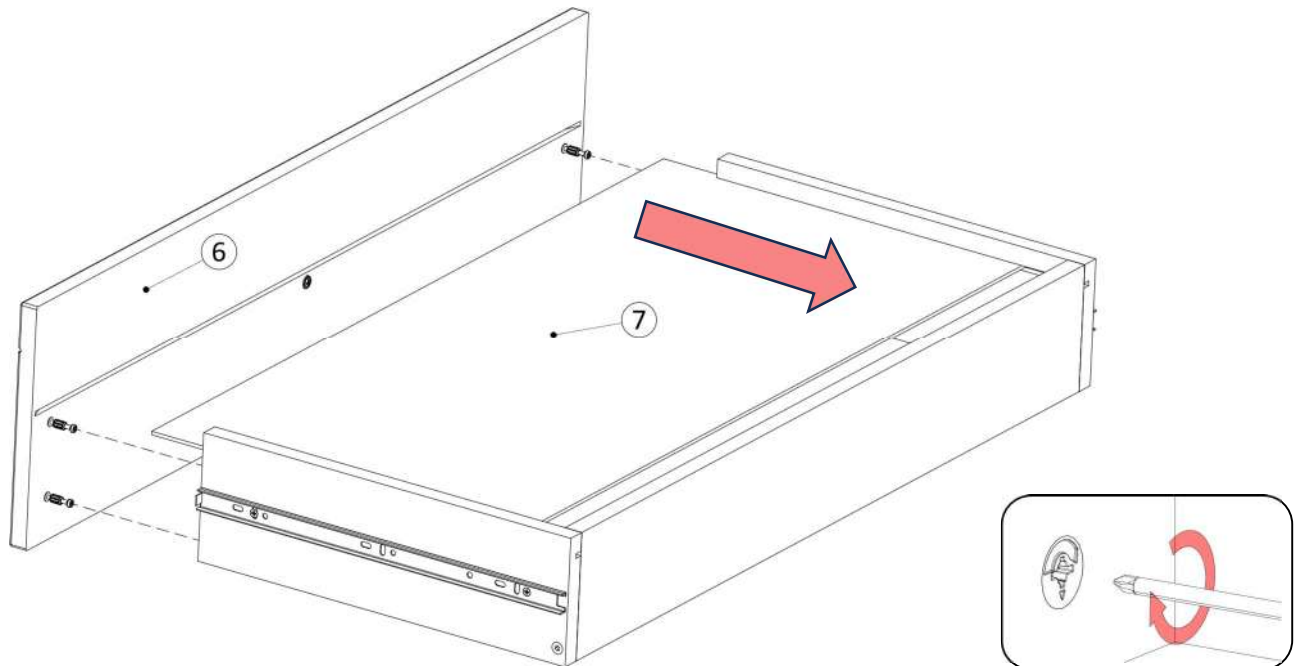


P1	U	M1
x1	x1	x4

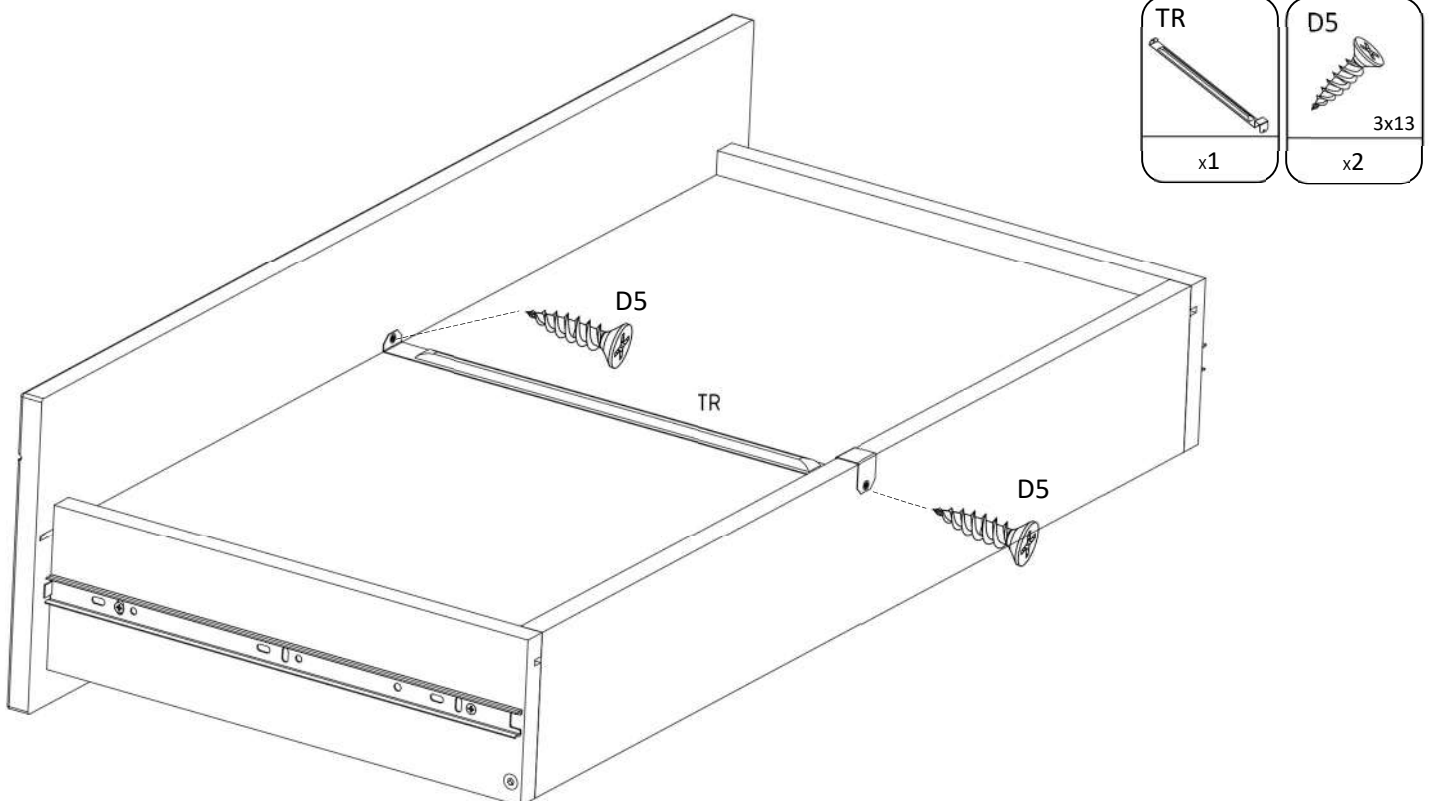
20



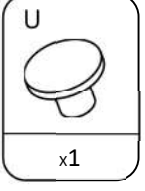
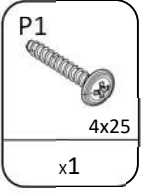
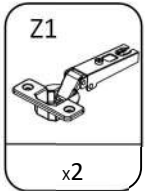
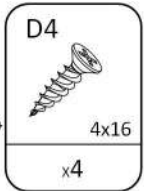
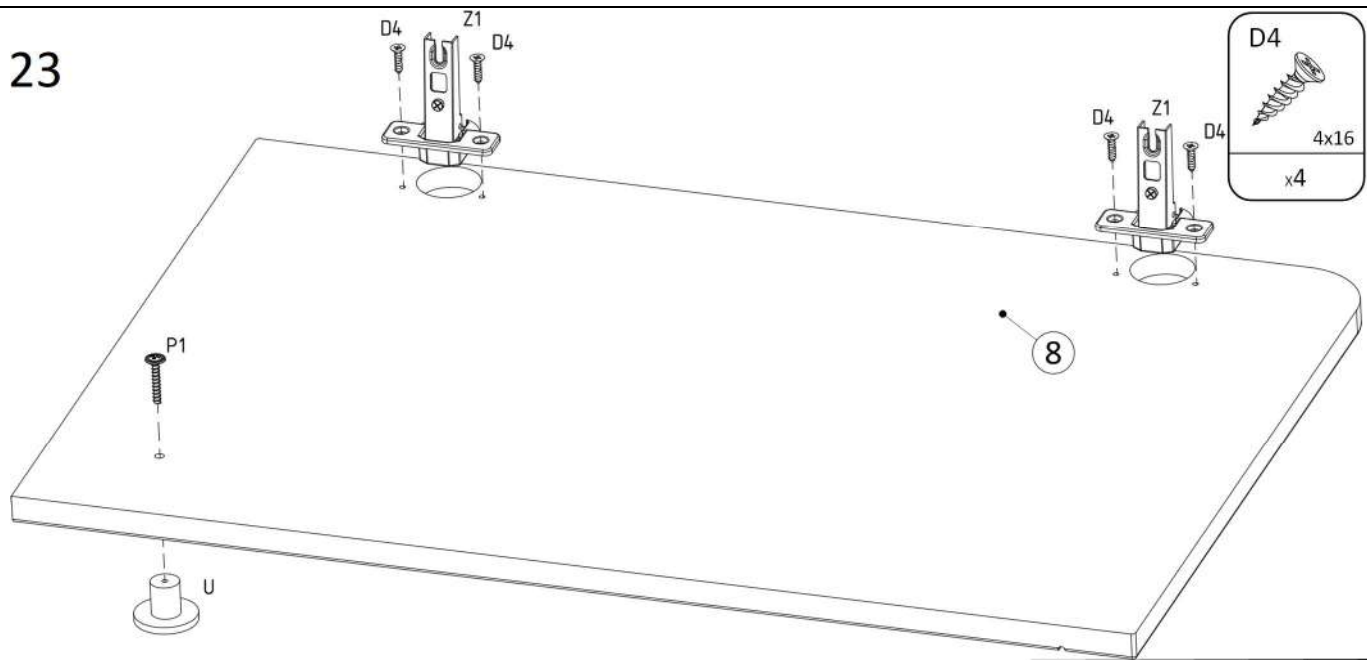
21



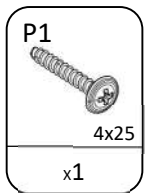
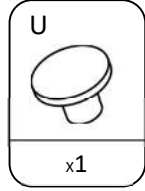
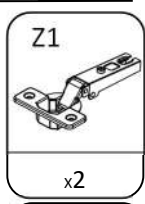
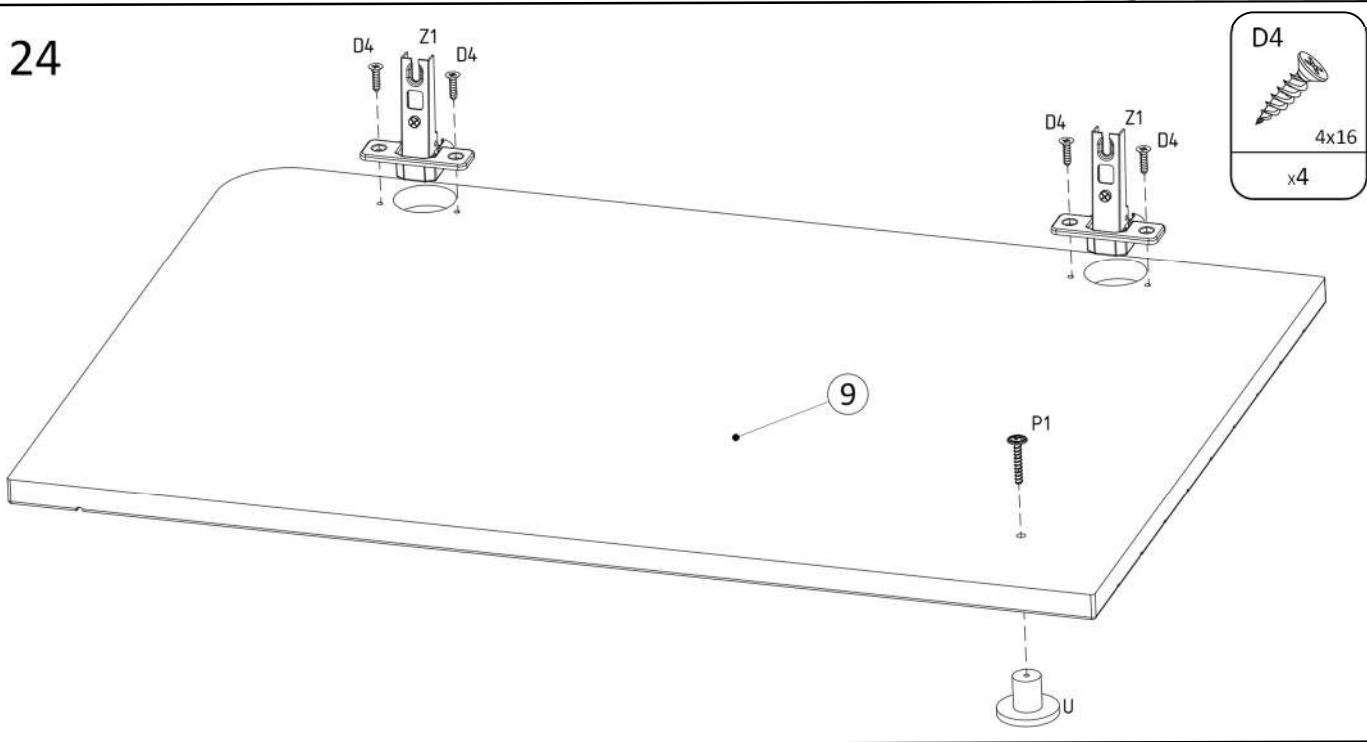
22



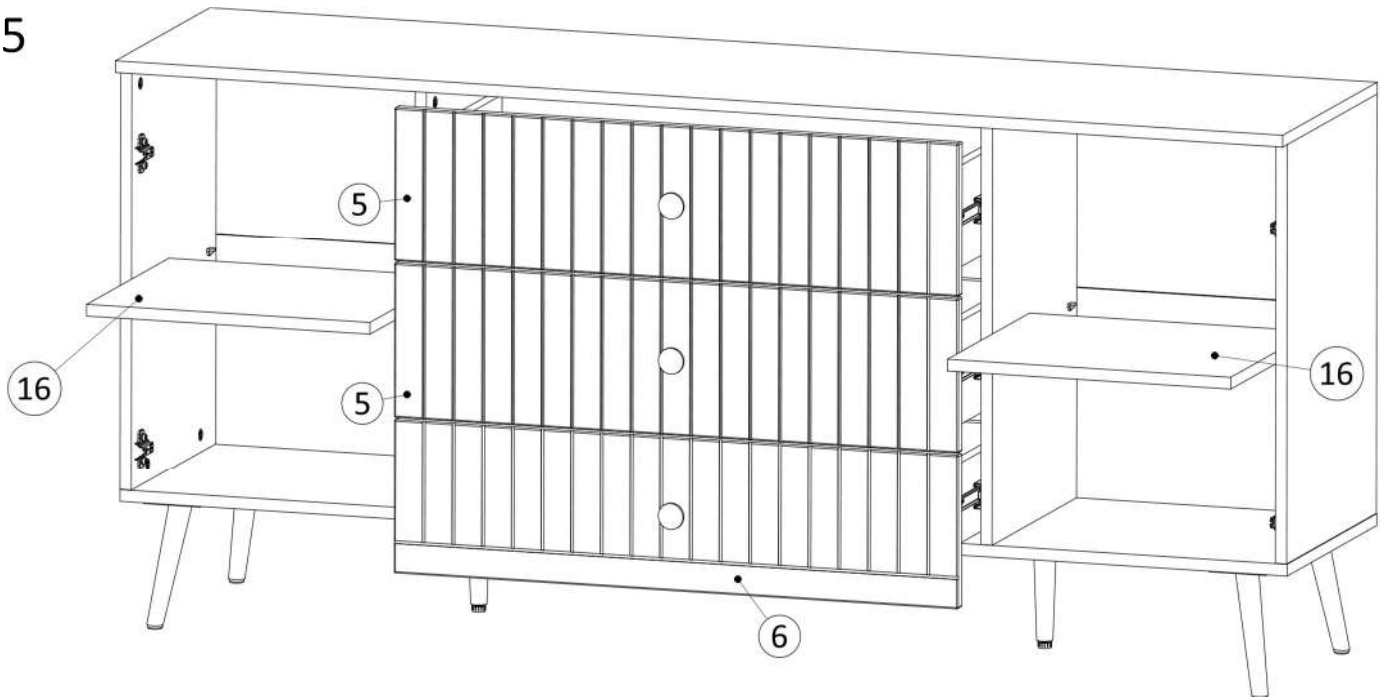
23



24





25



26



W	D4
	
x1	x1

