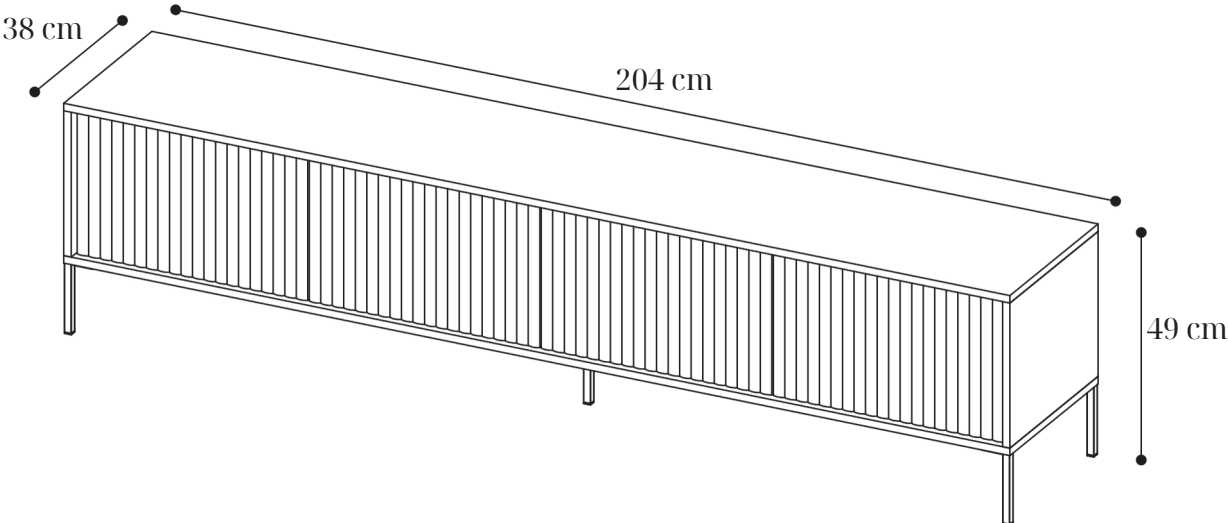
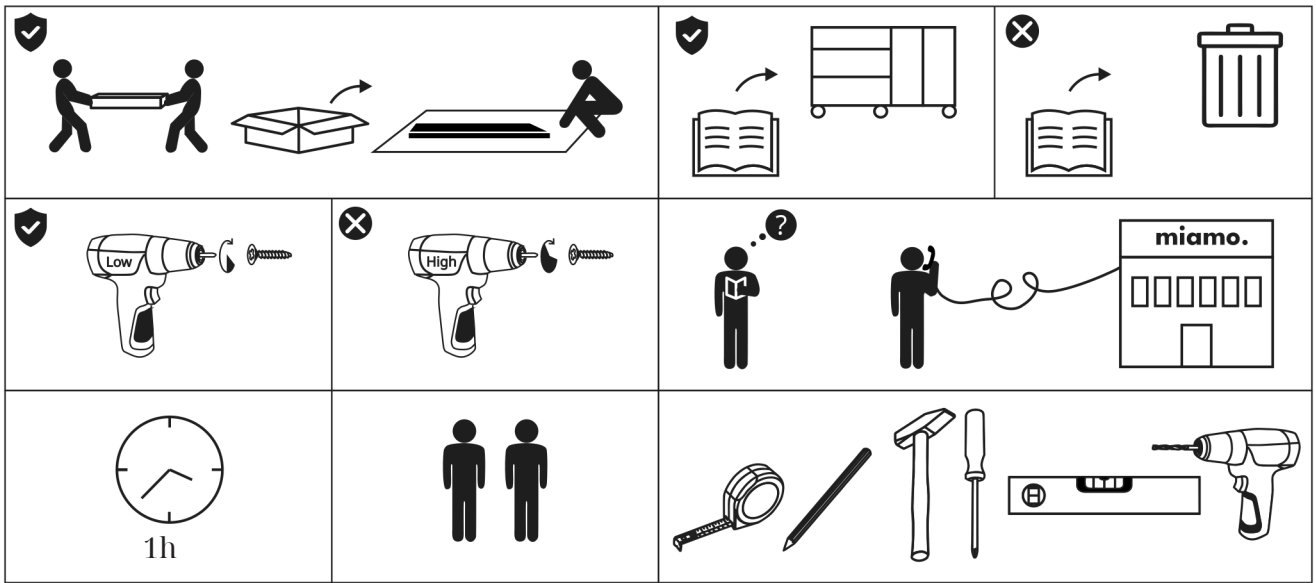
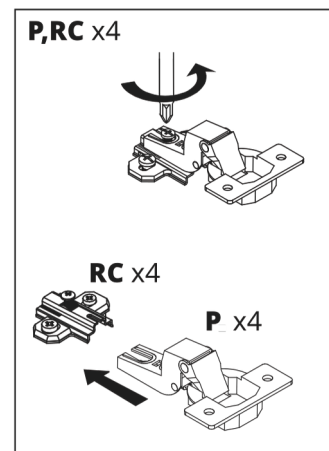
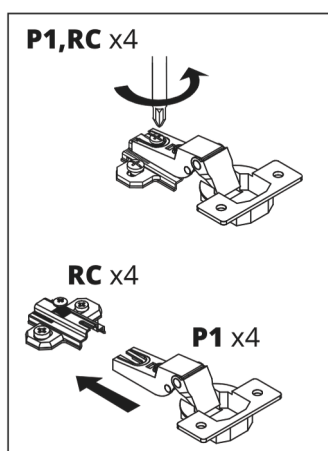


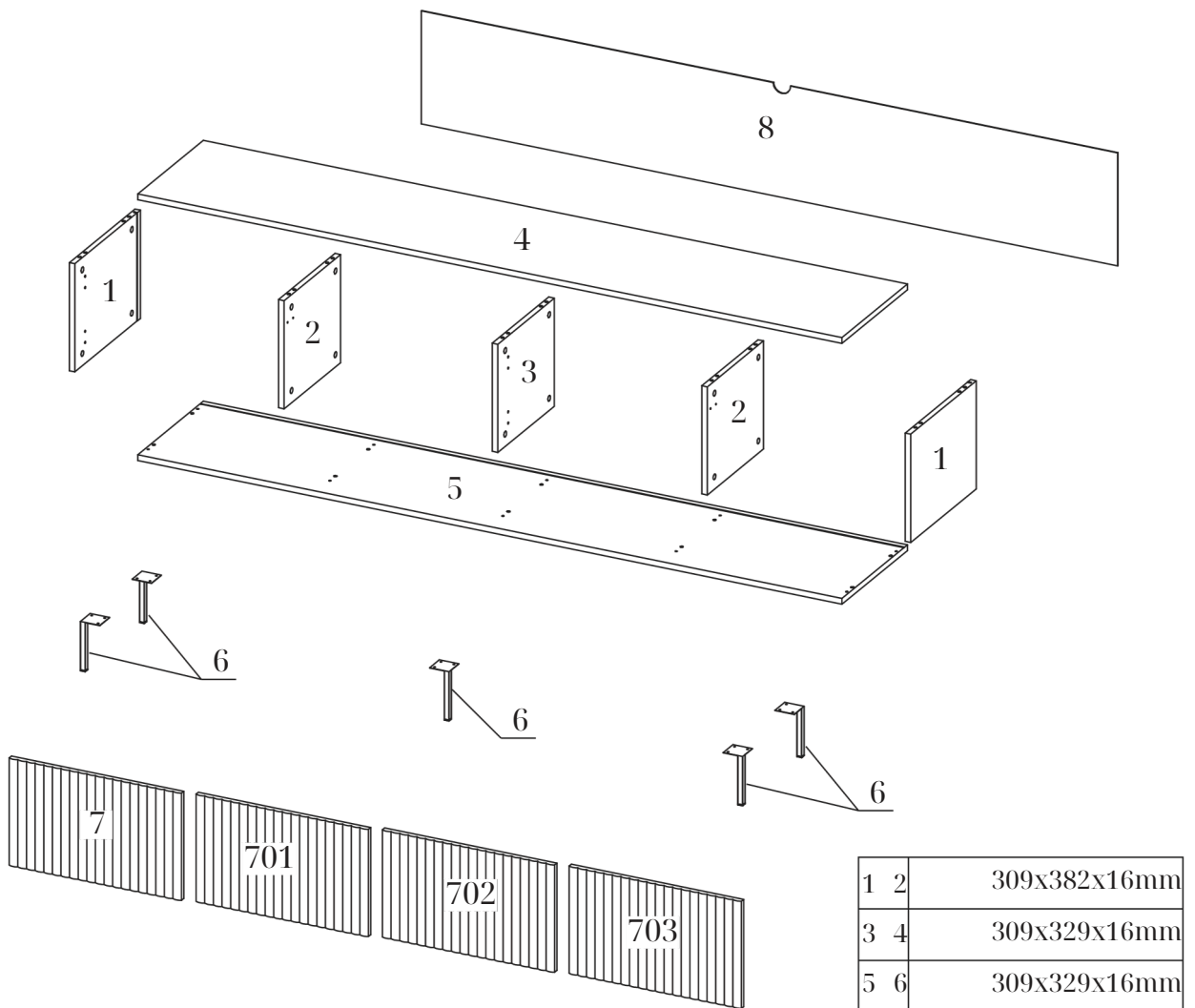
Montageanleitung





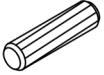


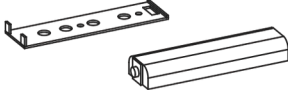

PTO x4 	A x20 <p>8x35mm</p>	B x20 <p>29,5mm</p>	C x20 <p>15x12mm</p>	F x20 	N x15 <p>3x25mm</p>	ND x24 <p>3,5x16mm</p>
TA x1 <p>77x30x15mm</p>	X x12 	P1,RC x4 	P,RC x4 	N2 x16 <p>3,5x12mm</p>		

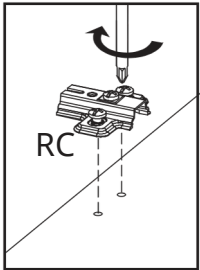










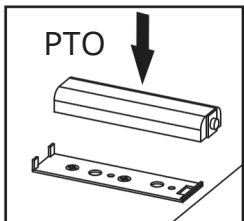
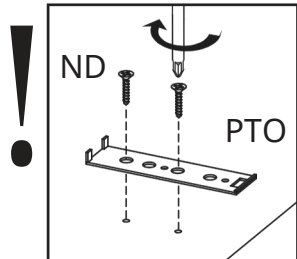
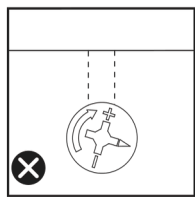
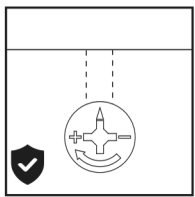
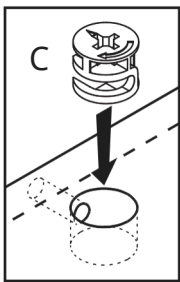
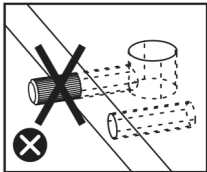
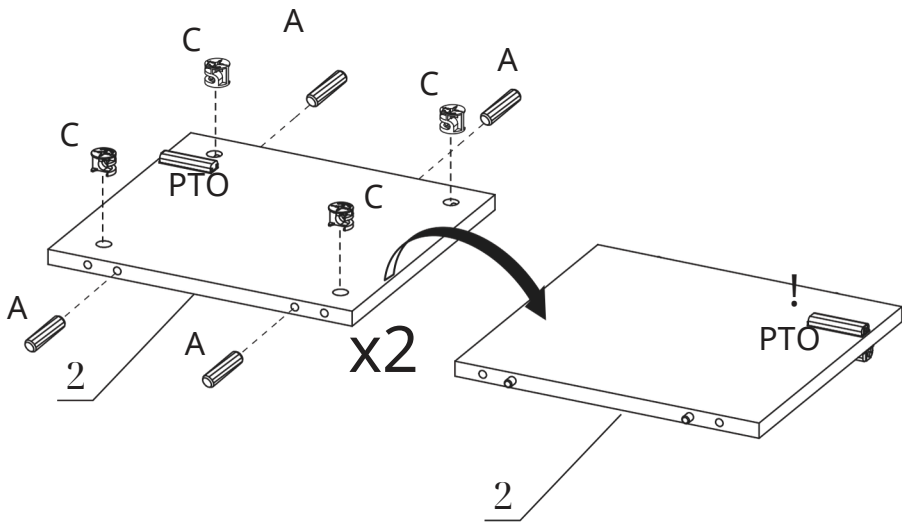
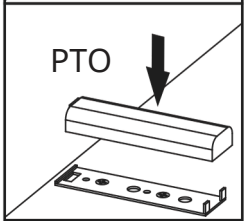
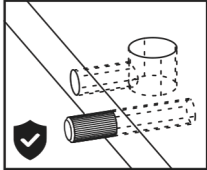
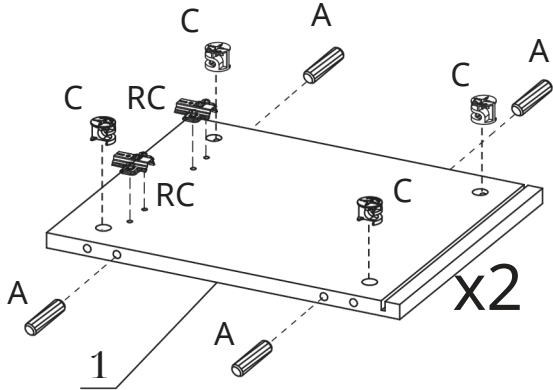
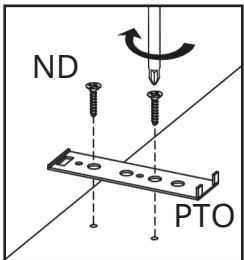
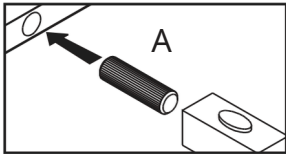
1	2	309x382x16mm
3	4	309x329x16mm
5	6	309x329x16mm
7		2051x382,5x16mm
701		2051x382,5x16mm
702		150x60x60mm
703		305x502x16mm
8		305x502x16mm
		305x502x16mm
		305x502x16mm
		2028x323x3mm

1

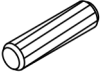


A x16  8x35mm	C x16  15x12mm	RC x4 	PTO x4 	ND x8  3,5x16mm
---	--	---	---	---

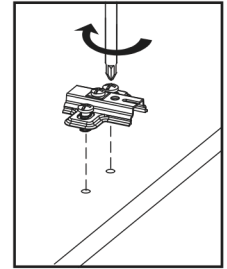
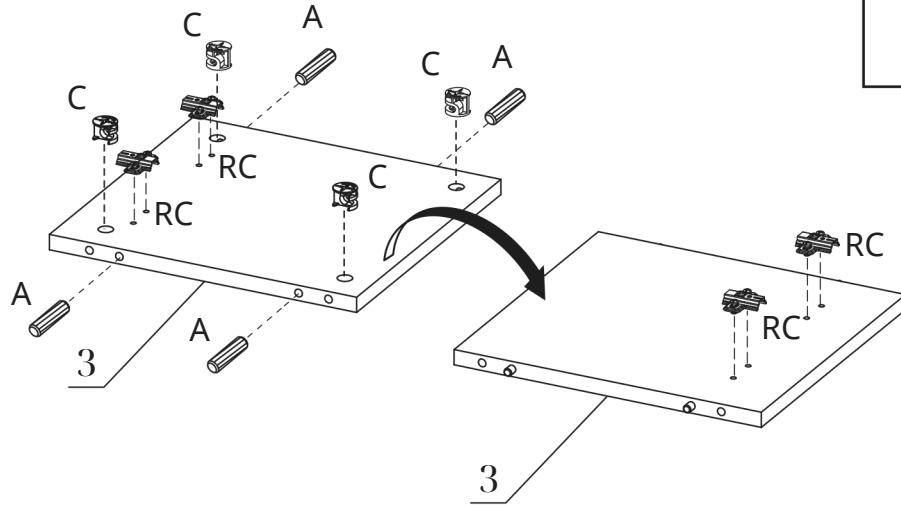
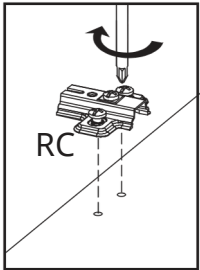


N   3x25mm	ND   3,5x16mm	N2   3,5x12mm
--	---	---




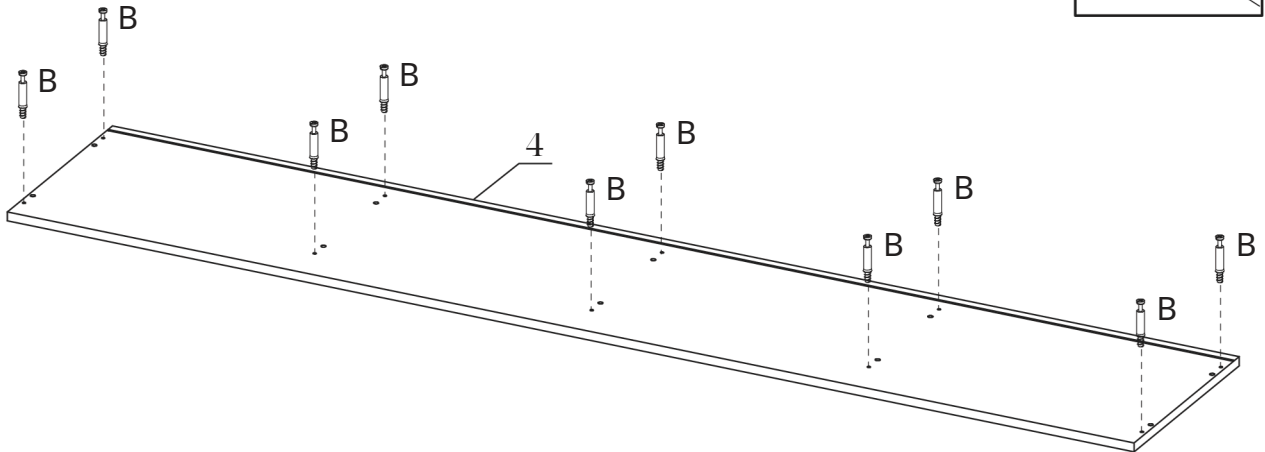
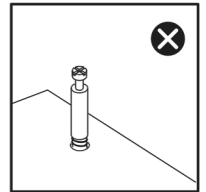
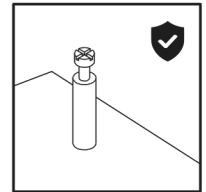
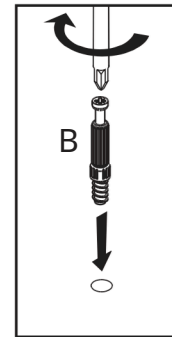
2

A x4 8x35mm 	C x4 15x12mm 	RC x4 
---	--	--





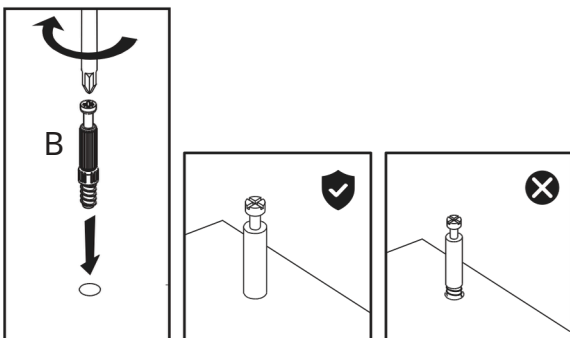
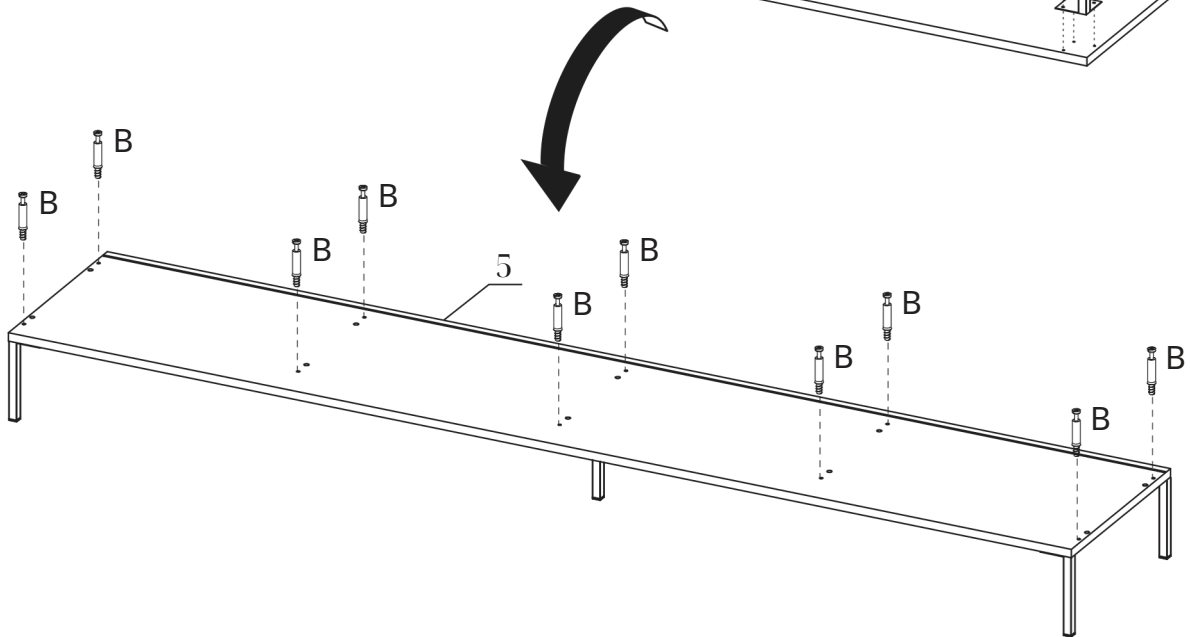
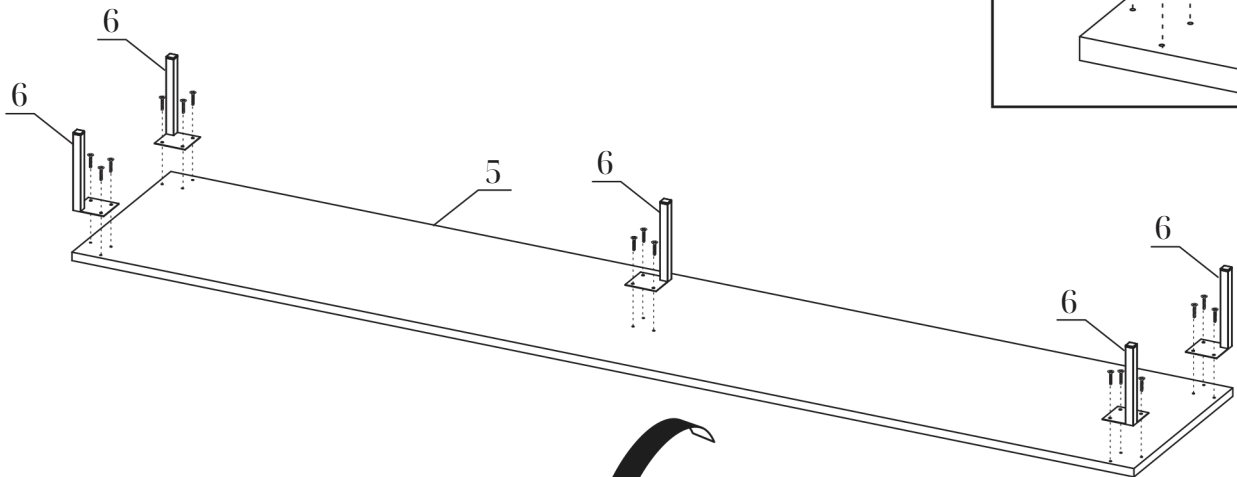
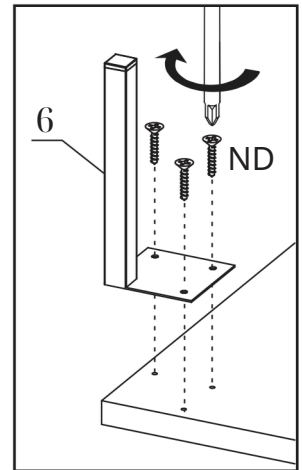
3

B x10 29,5mm 
--

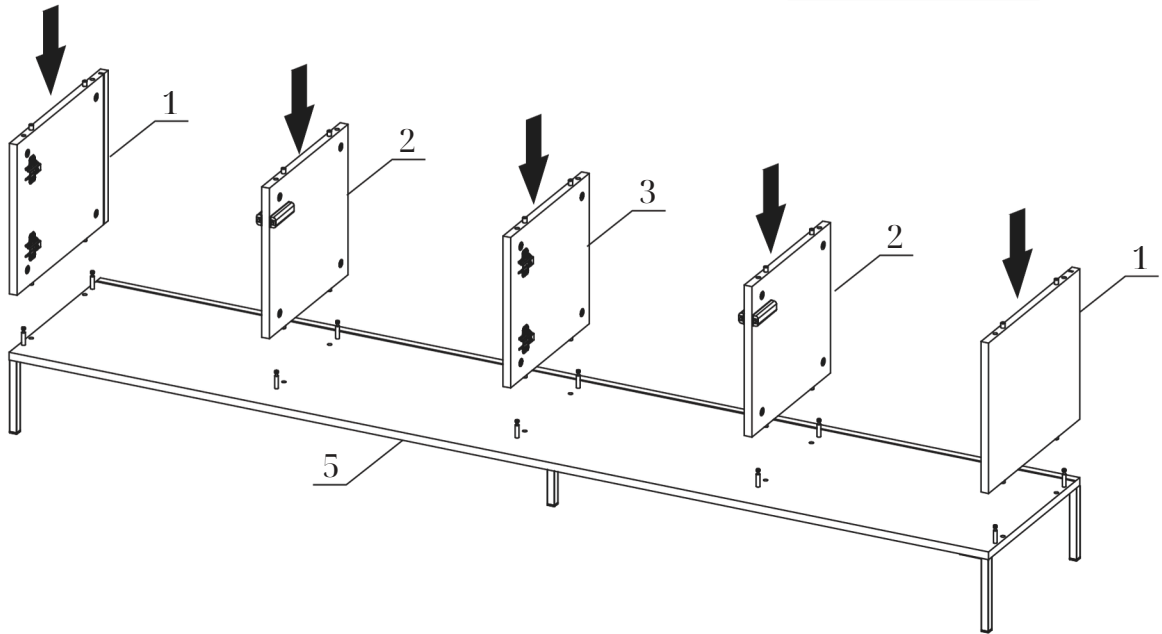
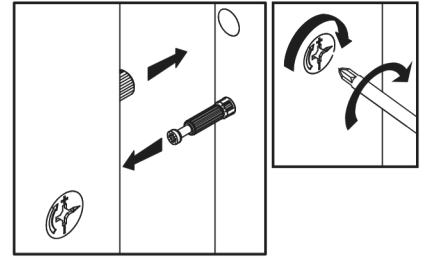


4

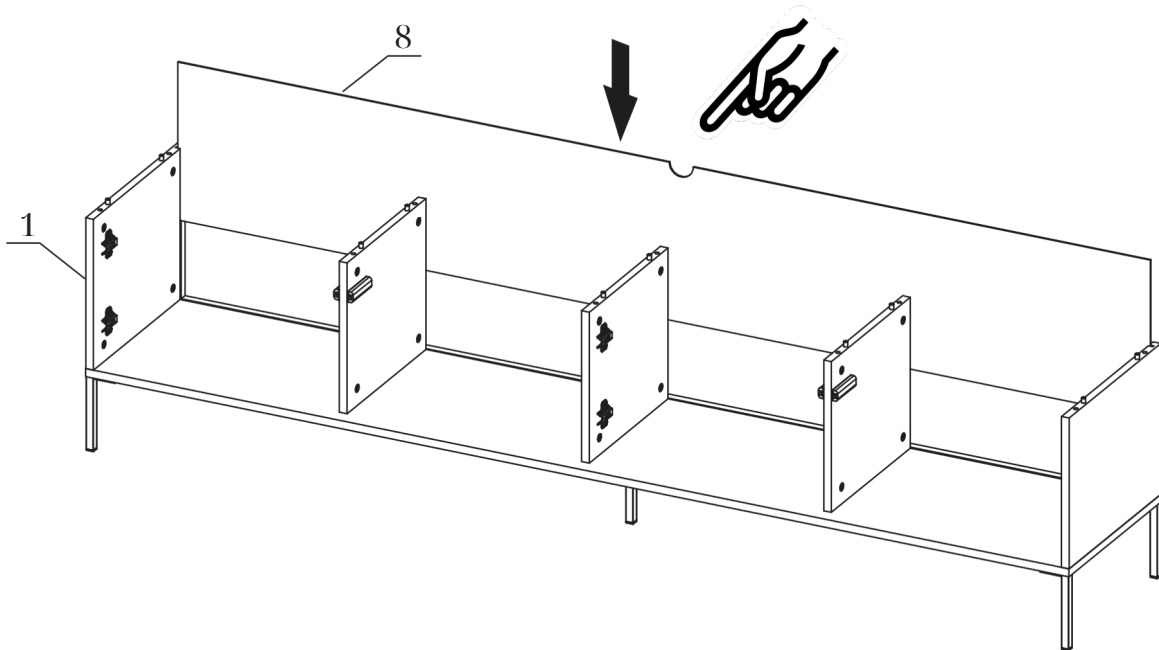
B x10  29,5mm	ND x15  3,5x16mm
--	---



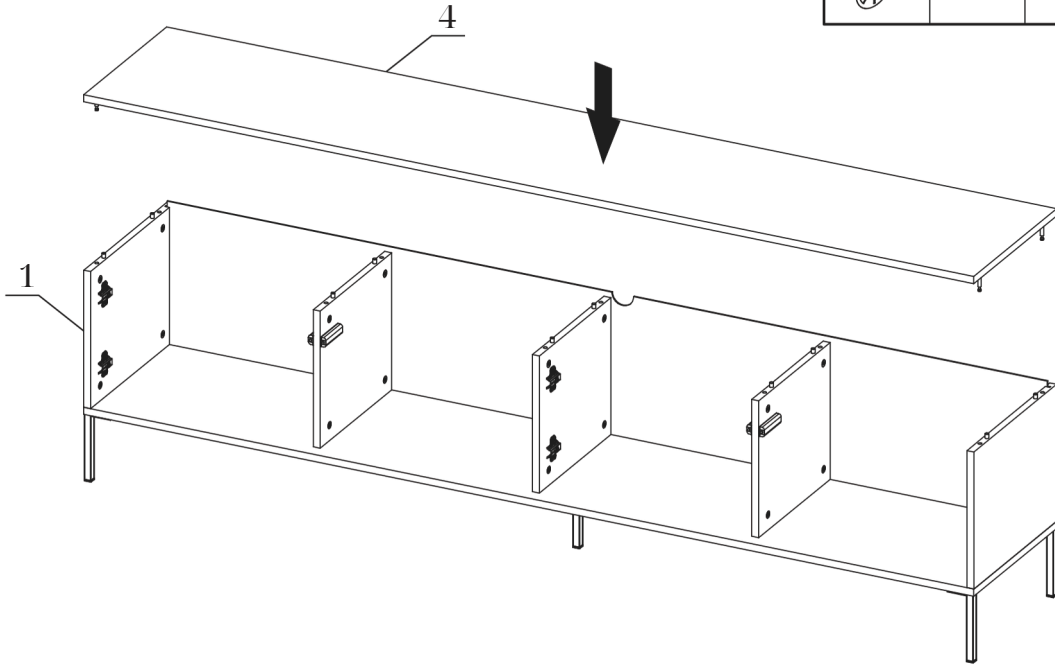
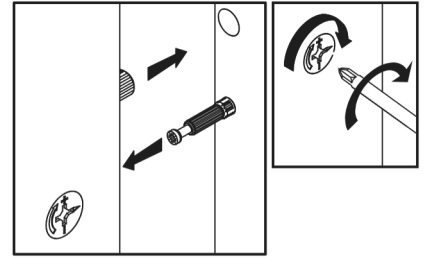
5



6

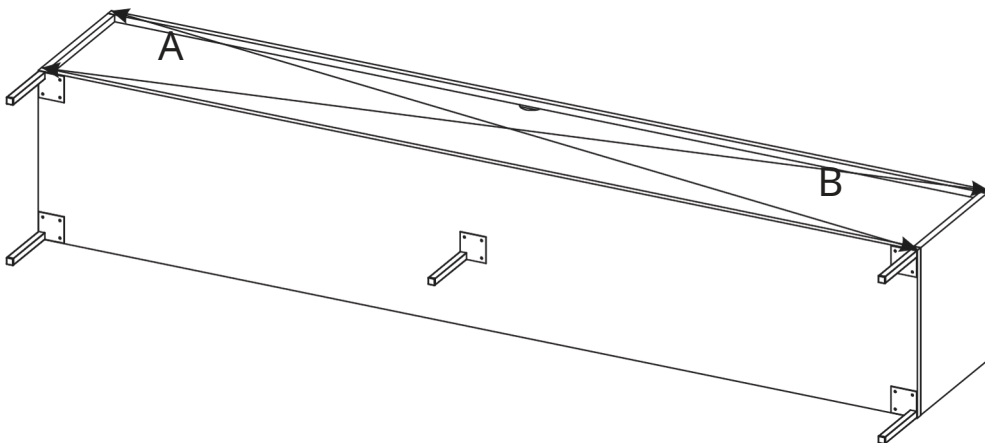
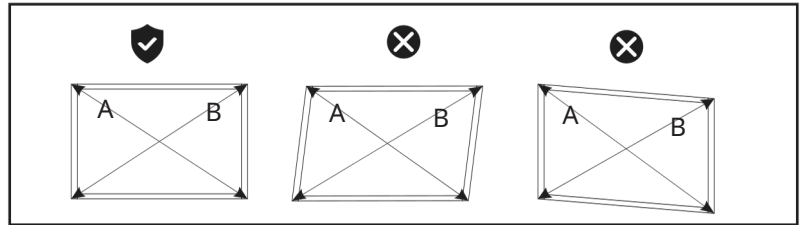
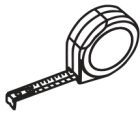


7

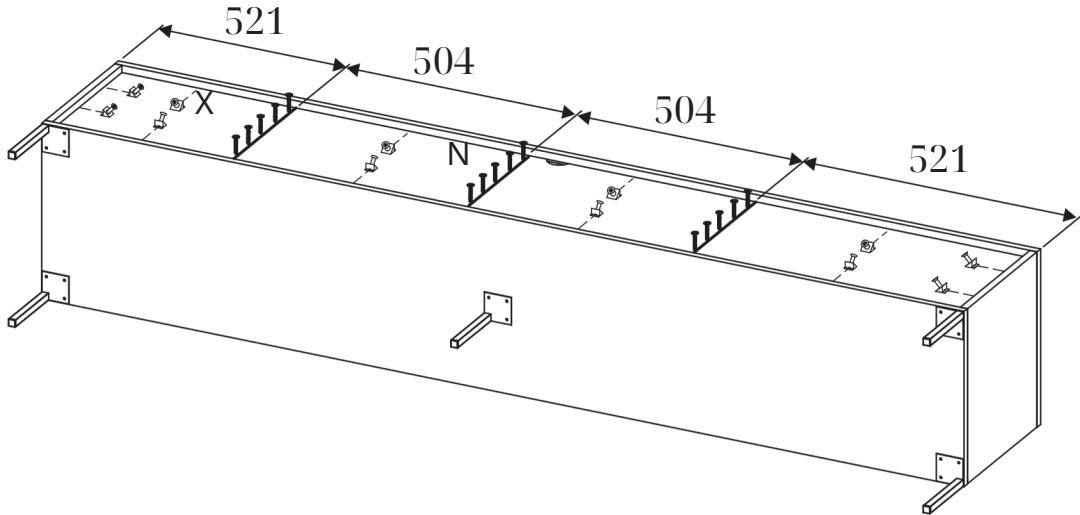
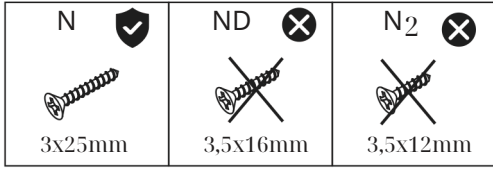
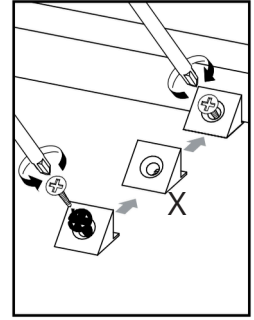
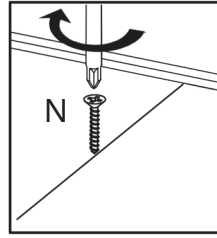
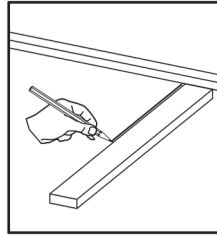
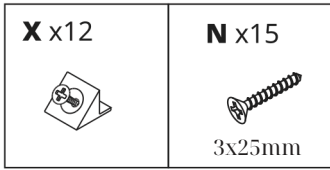


8

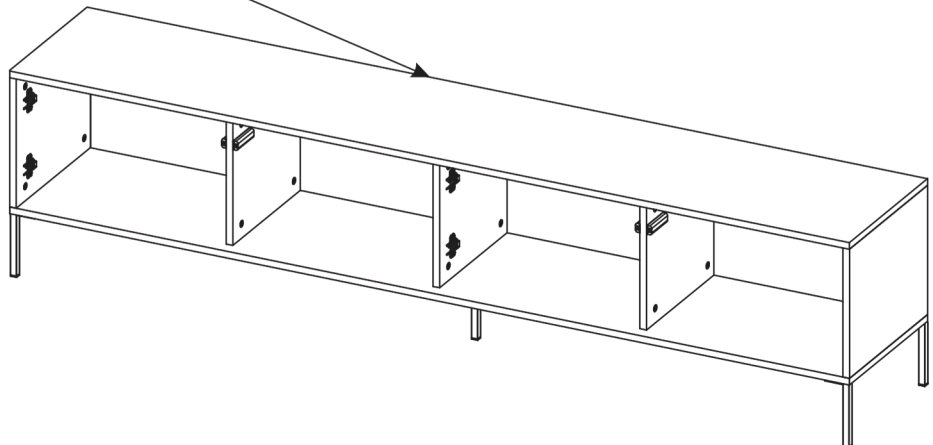
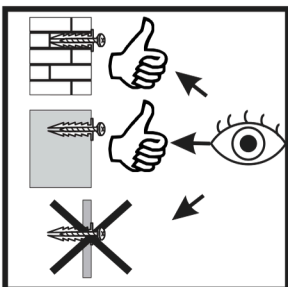
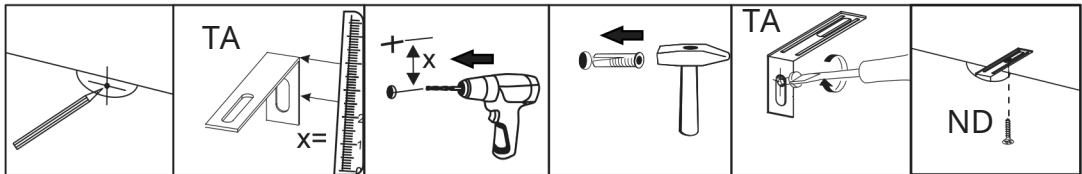
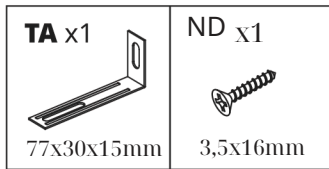
$A=B$



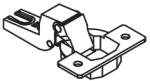


9

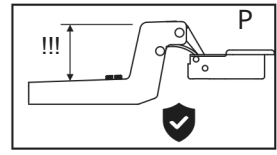
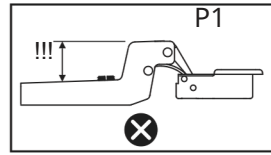








10

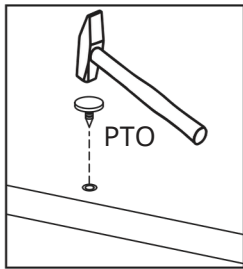
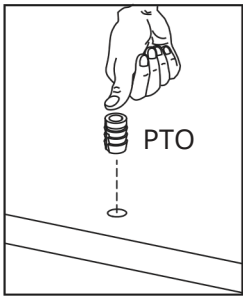
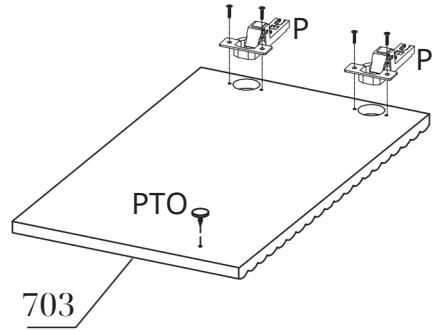
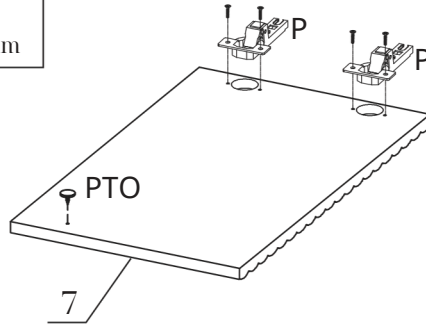
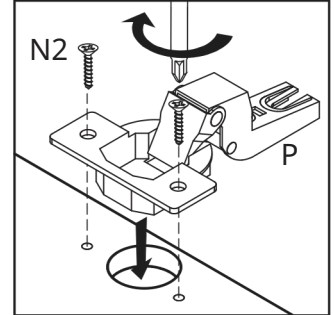


11




<p>P x4</p> 	<p>N2 x8</p>  <p>3,5x12mm</p>	<p>PTO x2</p> 
---	--	---



<p>N </p>  <p>3x25mm</p>	<p>ND </p>  <p>3,5x16mm</p>	<p>N2 </p>  <p>3,5x12mm</p>
--	---	---



12

<p>P1 x4</p> 	<p>N2 x8</p>  <p>3,5x12mm</p>	<p>PTO x2</p> 
--	--	---

