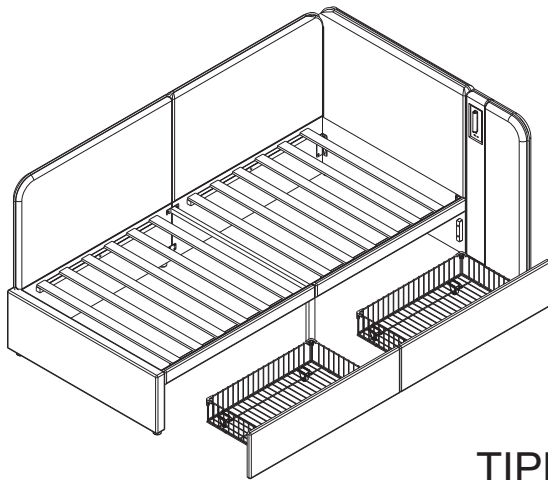


Anleitung

Assenbly Instrustion

Le manuel d'emploi

N634P412268 / N634P412269



EC REP	Decobus Handel GmbH Innungsstrasse 9, 21244 Buchholz, Deutschland
--------	--

TIPPS

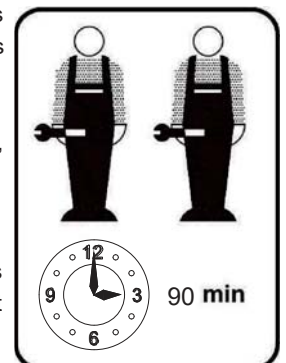
1. Dieses Produkt wird für die Lieferung in 2 Pakete aufgeteilt. Sie kommen möglicherweise nicht gleichzeitig an. Bitte warte geduldig .
2. Wir danken Ihnen für den Einkauf! Wir bemühen uns, Ihnen qualitativ hochwertige Produkte zu bieten. In seltenen Fällen, dass Ihr Produkt beschädigt ist, Teile fehlt oder Sie auf Probleme bei der Montage stoßen, wenden Sie sich damit bitte an unseren Kundendienst, wir werden Ihnen die beste Lösung so schnell wie möglich bieten. Um Ihr Problem schnell zu lösen, bitte stellen Sie uns einige Bilder zur Verfügung, die das Produktproblem deutlich widerspiegeln können. Vielen Dank !
3. Setzen Sie die Schrauben in die Löcher ein und ziehen Sie die Schrauben an, aber nicht zu fest, 70 % ~ 80 % ist genug, und ziehen Sie schließlich alle Schrauben an. Wenn einige Schrauben nicht mit den Löchern ausgerichtet sind oder die Montage einiger Teile schwierig ist, stellen Sie bitte den Straffheitsgrad der Schrauben um.
4. Es wird empfohlen, dass 2 Personen das Produkt installieren.

Tips

1. Please read the instructions fully before assembly. These instructions include important information which could ensure correct assembly. We have been working on providing high quality products for you. However, in the rare instance that your product is defective, missing parts or there are some issues, please don't hesitate to contact our customer service to submit parts requirements, assembly suggestion, or warranty claims, and we will give the best solution as soon as possible. If necessary, we need you to provide some more clear pictures of the issue.
2. Thank you for shopping! We strive to provide you with high quality products. In rare cases that your product is damaged, missing parts or you encounter assembly problems, please contact our customer service with it, we will offer you the best solution as soon as possible. In order to solve your problem quickly, please provide us with some pictures that can clearly reflect the product problem. Thanks very much !
3. Insert the screws in holes and tighten the screws, but not too tight, 70%~80% is ok, finally tighten all the screws. If some issues happened that some screws can not target to the hole or some parts are difficult to install, please adjust the tightness of the screws.
4. 2 people are recommended to finish.

Conseils

1. Veuillez lire attentivement les instructions avant le montage. Ces instructions contiennent des informations importantes qui pourraient garantir un montage correct. Nous avons travaillé pour vous fournir des produits de haute qualité. Cependant, dans les rares cas où votre produit est défectueux, s'il manque des pièces ou s'il y a des problèmes, n'hésitez pas à contacter notre service client pour soumettre des exigences de pièces, des suggestions d'assemblage ou des réclamations de garantie, et nous vous donnerons la meilleure solution comme dès que possible. Si nécessaire, nous avons besoin que vous fournissiez des images plus claires du problème.
2. Merci pour vos achats ! Nous nous efforçons de vous fournir des produits de haute qualité. Dans les rares cas où votre produit est endommagé, des pièces manquantes ou que vous rencontrez des problèmes de montage, veuillez contacter notre service client avec celui-ci, nous vous proposerons la meilleure solution le plus vite possible. Afin de résoudre votre problème rapidement, veuillez nous fournir des images qui peuvent clairement refléter le problème du produit. Merci beaucoup !
3. Insérez les vis dans les trous et serrez les vis, mais pas trop serré, 70% ~ 80% est ok, enfin serrez toutes les vis. Si certains problèmes surviennent, certaines vis ne peuvent pas viser le trou ou certaines pièces sont difficiles à installer, veuillez ajuster le serrage des vis.
4. Deux personnes sont recommandées pour le terminer.



English

IMPORTANT ! KEEP FOR FUTURE REFERENCE : READ CAREFULLY

- To be assembled by an adult. Assembly must be checked by an adult before use
- WARNING ! Keep all screws, small parts and plastic bags out of the reach of children
- Properly identify all parts before assembling
- Never use your item if any of its parts are broken or missing
- Should any problems arise, please contact our After Sales Service
- Manufacturer's instructions shall be followed at all times
- Care: Clean with a soft, dry cloth. In case of larger stains, carefully rub with a slightly damp, non-abrasive sponge
- Avoid the risk of fire by not placing furniture near sources of ignition or hot items
- Do not jump on the bed

Deutsch

WICHTIG ! ZUM SPÄTEREN NACHSCHLAGEN AUFBEWAHREN: SORGFÄLTIG LESEN

- Muss von einem Erwachsenen zusammengebaut werden. Der Zusammenbau muss vor dem Gebrauch von einem Erwachsenen überprüft werden
- WARNUNG! Bewahren Sie alle Schrauben, Kleinteile und Plastikbeutel außerhalb der Reichweite von Kindern auf
- Kennzeichnen Sie vor dem Zusammenbau alle Teile richtig
- Benutzen Sie Ihren Artikel niemals, wenn Teile gebrochen sind oder fehlen
- Sollten Probleme auftreten, wenden Sie sich bitte an unseren Kundendienst
- Die Anweisungen des Herstellers sind stets zu befolgen
- Pflege: Mit einem weichen, trockenen Tuch reinigen. Bei größeren Flecken vorsichtig mit einem leicht feuchten, nicht scheuernden Schwamm abreiben. nicht scheuernden Schwamm
- Vermeiden Sie die Gefahr eines Brandes, indem Sie die Möbel nicht in der Nähe von Zündquellen oder heißen Gegenständen aufstellen
- Nicht auf das Bett springen

Français

IMPORTANT ! CONSERVER POUR RÉFÉRENCE ULTÉRIEURE : LIRE ATTENTIVEMENT

- Le montage doit être effectué par un adulte. Le montage doit être vérifié par un adulte avant Utilisation
- ATTENTION ! Tenir les vis, les petites pièces et les sachets en plastique hors de portée des enfants
- Identifiez correctement toutes les pièces avant de les assembler
- N'utilisez jamais votre article si l'une de ses pièces est cassée ou manquante
- En cas de problème, veuillez contacter notre service après-vente
- Les instructions du fabricant doivent être respectées à tout moment
- Entretien : nettoyer avec un chiffon doux et sec. En cas de taches plus importantes, frotter soigneusement avec une éponge non abrasive légèrement humide. légèrement humide et non Abrasive
- Évitez les risques d'incendie en ne plaçant pas les meubles à proximité de sources d'inflammation ou d'objets chauds
- Ne pas sauter sur le lit

Italiano

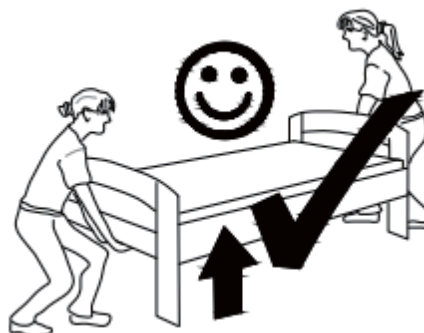
IMPORTANTE! CONSERVARE PER RIFERIMENTO FUTURO: LEGGERE ATTENTAMENTE

- Deve essere assemblato da un adulto. L'assemblaggio deve essere controllato da un adulto prima dell'uso
- ATTENZIONE! Tenere tutte le viti, le piccole parti e i sacchetti di plastica fuori dalla portata dei bambini
- Identificare correttamente tutte le parti prima dell'assemblaggio
- Non utilizzare mai l'articolo se alcune parti sono rotte o mancanti
- In caso di problemi, si prega di contattare il nostro Servizio Post Vendita
- Le istruzioni del produttore devono essere sempre seguite
- Cura: Pulire con un panno morbido e asciutto. In caso di macchie più estese, strofinare accuratamente con una spugna leggermente umida e nonspugna leggermente umida e non abrasiva
- Evitare il rischio di incendio, non collocando i mobili vicino a fonti di accensione o a oggetti caldi
- Non saltare sul letto

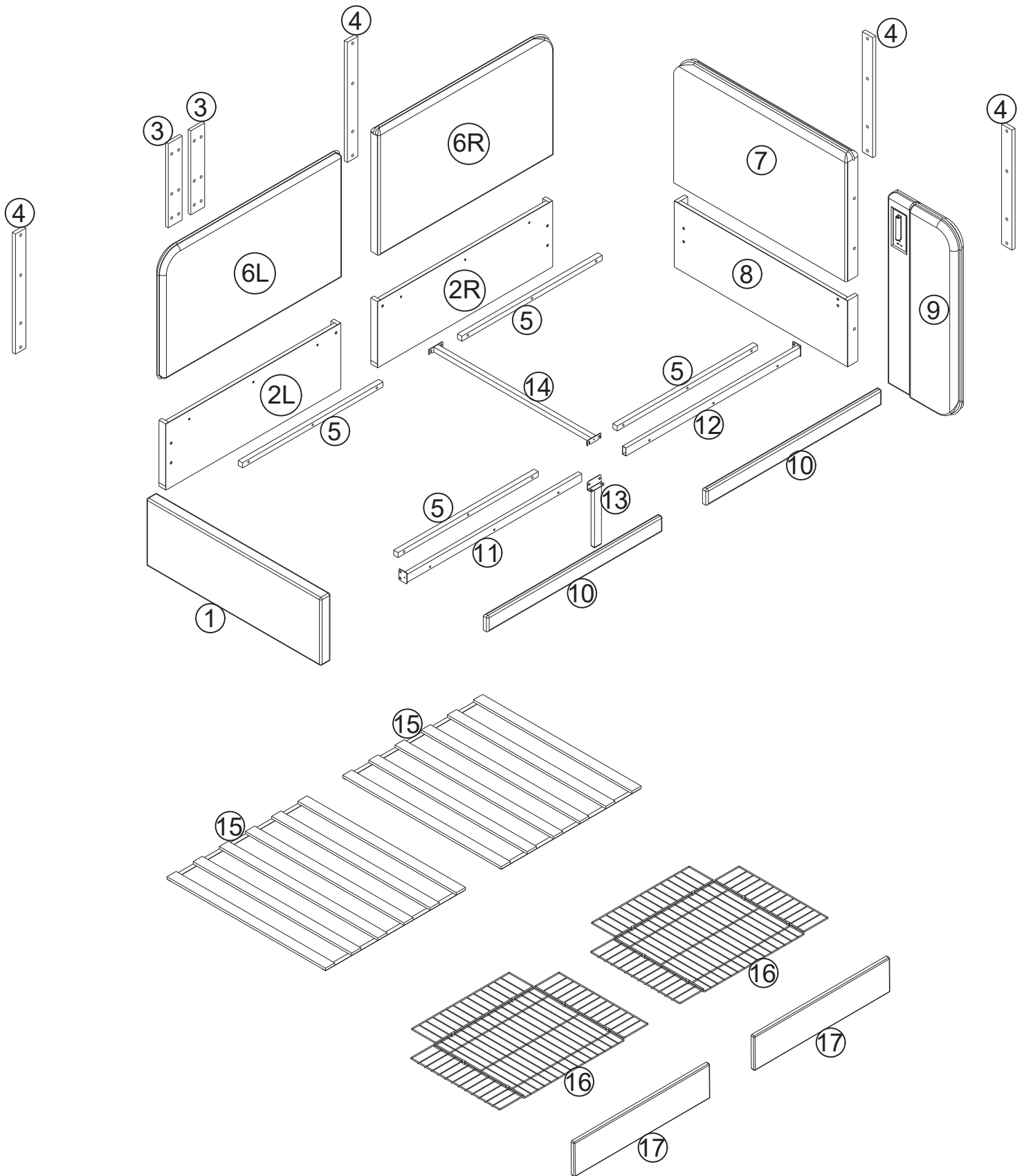
Español

¡ IMPORTANTE ! CONSERVELO PARA FUTURAS CONSULTAS: LEA ATENTAMENTE

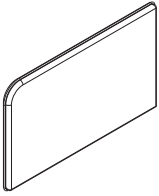
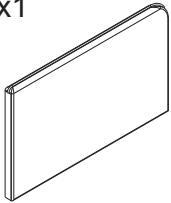
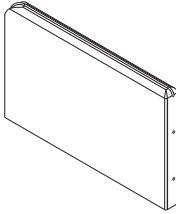
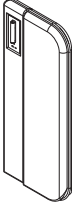
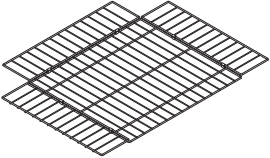
- Debe ser montado por un adulto. El montaje debe ser comprobado por un adulto antes del uso
- ADVERTENCIA Mantenga todos los tornillos, piezas pequeñas y bolsas de plástico fuera del alcance de los niños.
- Identifique correctamente todas las piezas antes de montarlas
 - Nunca utilice su artículo si alguna de sus piezas está rota o falta
 - Si surge algún problema, póngase en contacto con nuestro Servicio Postventa
 - Las instrucciones del fabricante deben seguirse en todo momento
 - Cuidado: Limpiar con un paño suave y seco. En caso de manchas más grandes, frote cuidadosamente con una esponja no abrasiva ligeramente humedecida.
 - Evite el riesgo de incendio no colocando los muebles cerca de fuentes de ignición u objetos calientes.
 - No saltar sobre la cama.



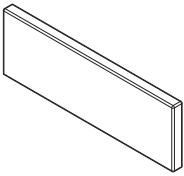
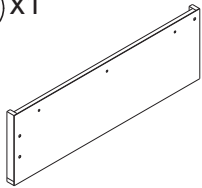
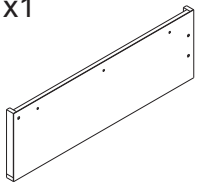


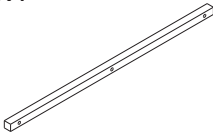
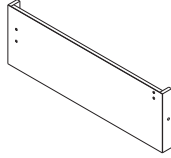
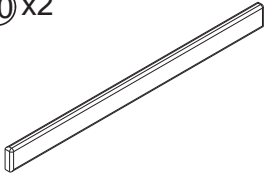
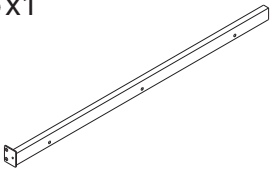
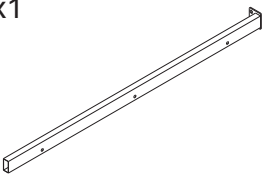

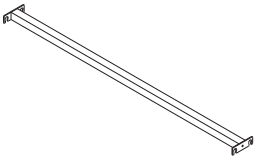
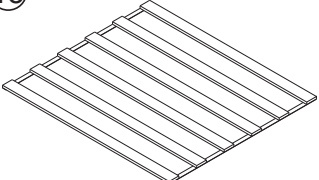
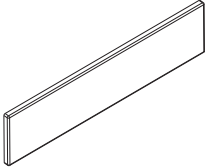
Stückliste



Teileliste-Parts list-Liste des pieces N634P412268







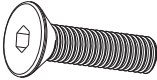
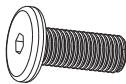
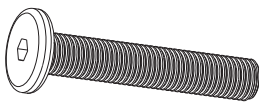

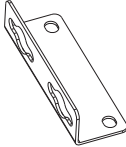
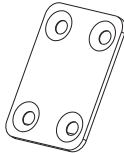


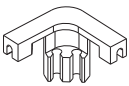
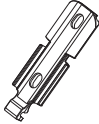
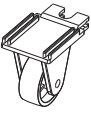

<p>⑥L x1</p> 	<p>⑥R x1</p> 	<p>⑦ x1</p> 	<p>⑨ x1</p> 
<p>⑩ x2</p> 			

Teileliste-Parts list-Liste des pieces N634P412269

<p>① x1</p> 	<p>②L x1</p> 	<p>②R x1</p> 	<p>③ x2</p> 
<p>④ x4</p> 	<p>⑤ x4</p> 	<p>⑧ x1</p> 	<p>⑩ x2</p> 
<p>⑪ x1</p> 	<p>⑫ x1</p> 	<p>⑬ x1</p> 	<p>⑭ x1</p> 
<p>⑮ x2</p> 	<p>⑰ x2</p> 		

Hardware List-Liste de matériel

N634P412268




<p>A x1</p> 	<p>B x12</p>  <p style="text-align: center;">M4x20mm</p>	<p>C x11</p>  <p style="text-align: center;">M4 x 40mm</p>
<p>D x10</p>  <p style="text-align: center;">M8x16mm</p>	<p>E x6</p>  <p style="text-align: center;">M6x40mm</p>	<p>F x6</p>  <p style="text-align: center;">M6x60mm</p>
<p>G x4</p>  <p style="text-align: center;">M8x18mm</p>	<p>H x14</p>  <p style="text-align: center;">M8x20mm</p>	<p>J x31</p>  <p style="text-align: center;">M8x35mm</p>
<p>K x31</p> 	<p>L x2</p> 	<p>M x3</p> 
<p>N x2</p> 	<p>P x7</p> 	<p>Q x4</p> 
<p>R x4</p> 	<p>S x8</p> 	<p>T x2</p> 

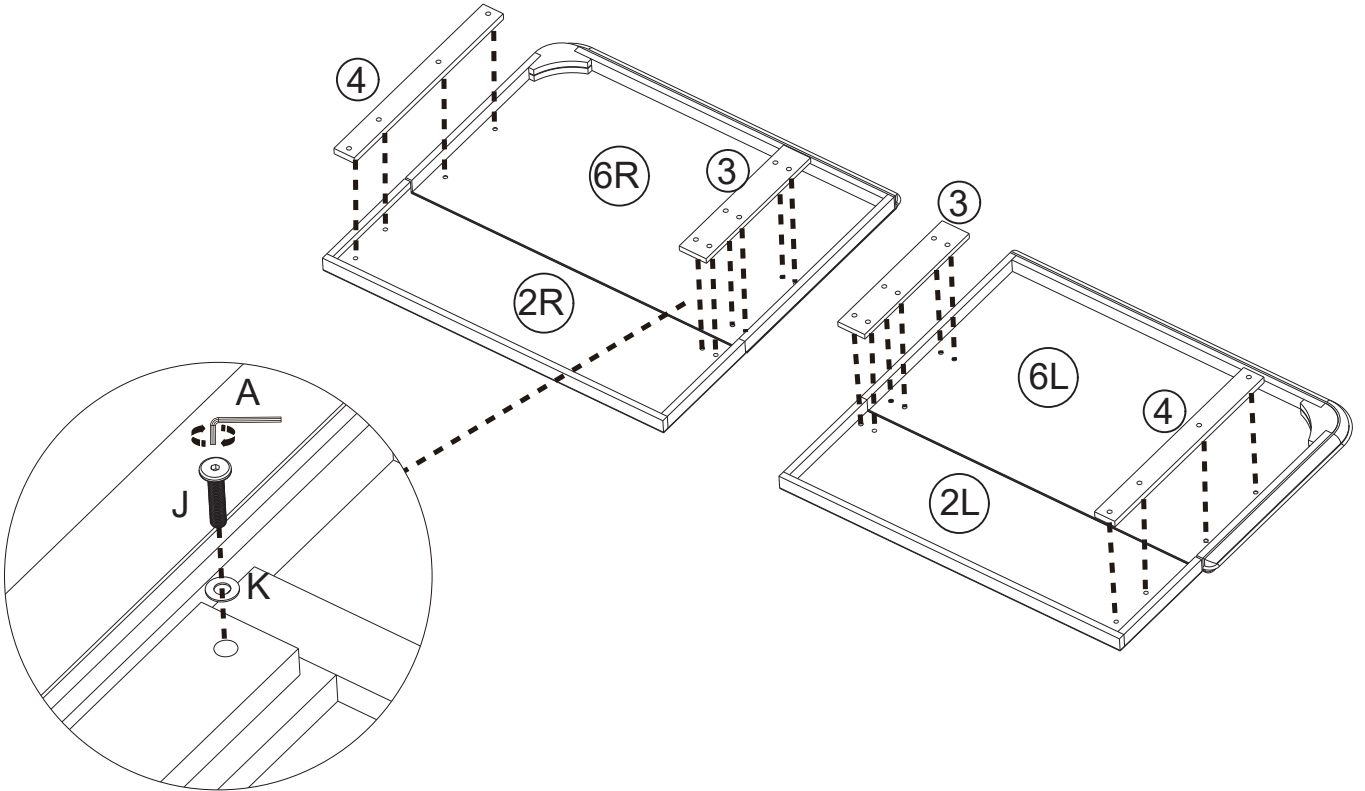
Hardware List-Liste de matériel

N634P412269







<p>U x1</p> 		
--	--	--

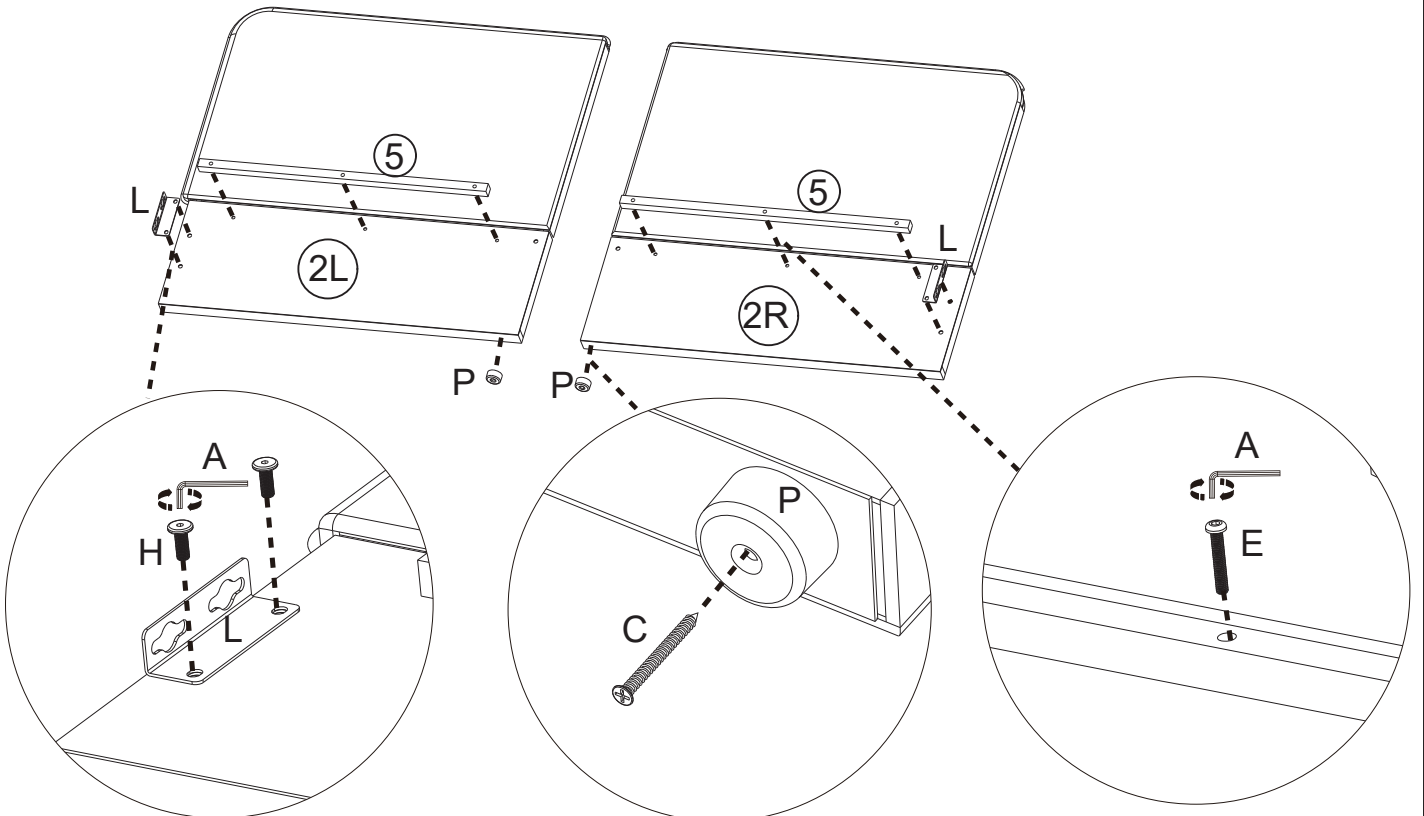
1

A x 1 	J x 20  M8 x 35mm	K x 20 	
--	--	---	--






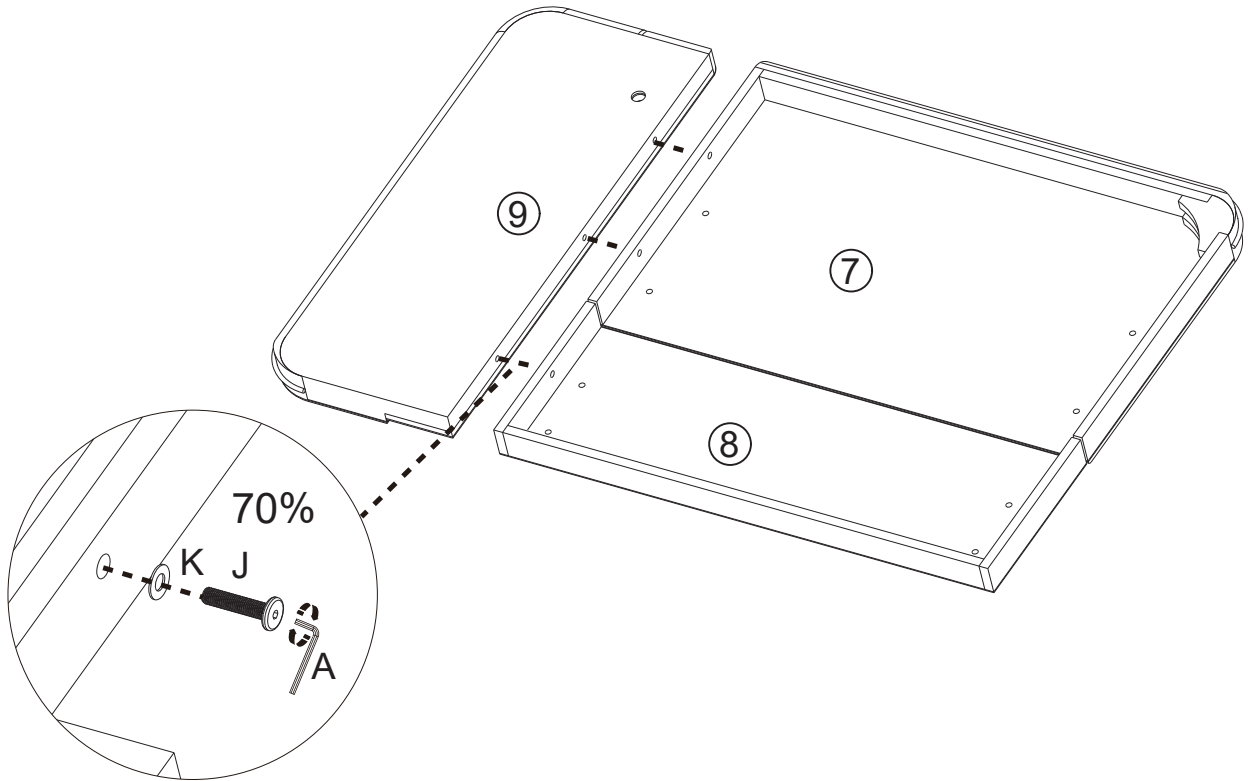
2

A x 1 	C x 2  M4 x 40mm	E x 6  M6 x 40mm	H x 4  M8 x 20mm	L x 2 	P x 2 	
--	---	---	---	--	--	--




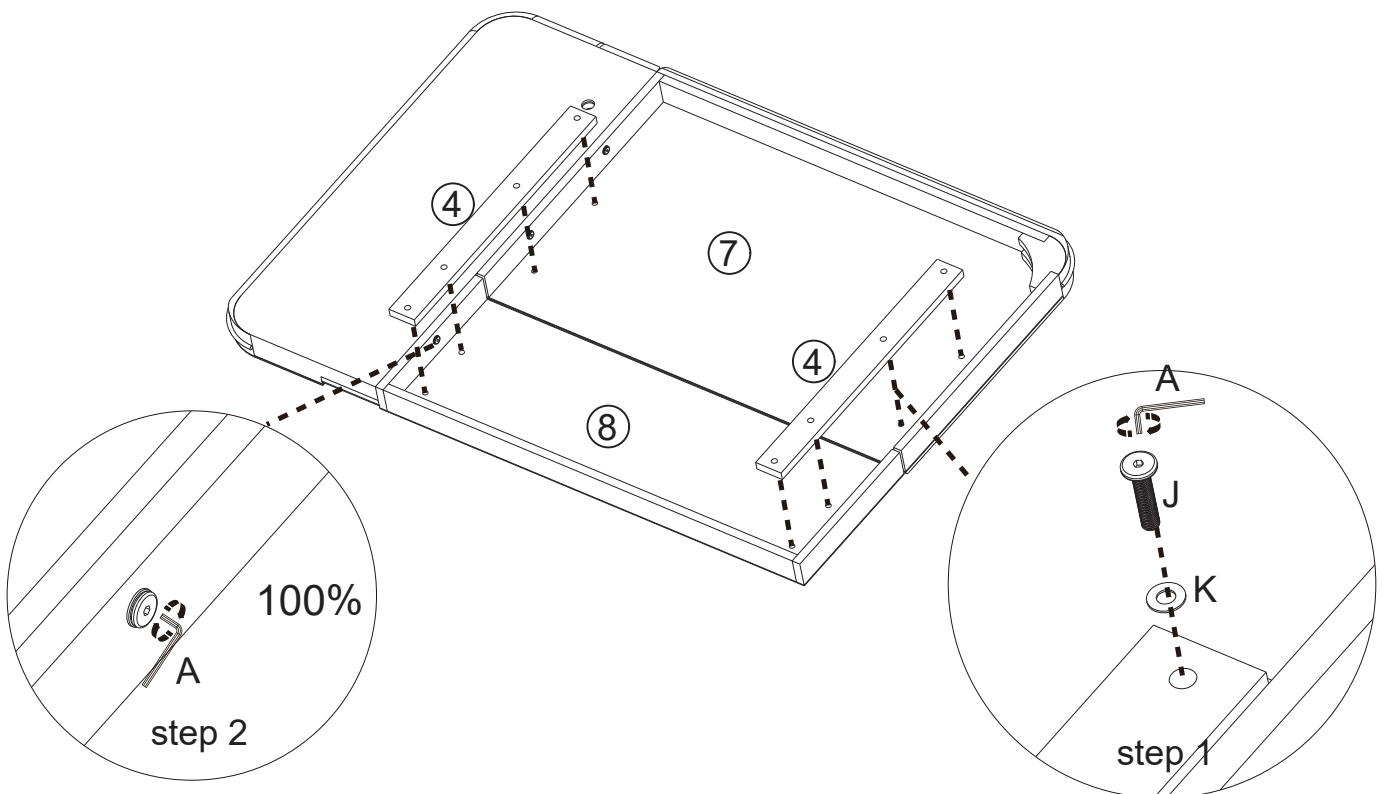
3

A x 1	J x 3	K x 3	
	 M8 x 35mm		






4

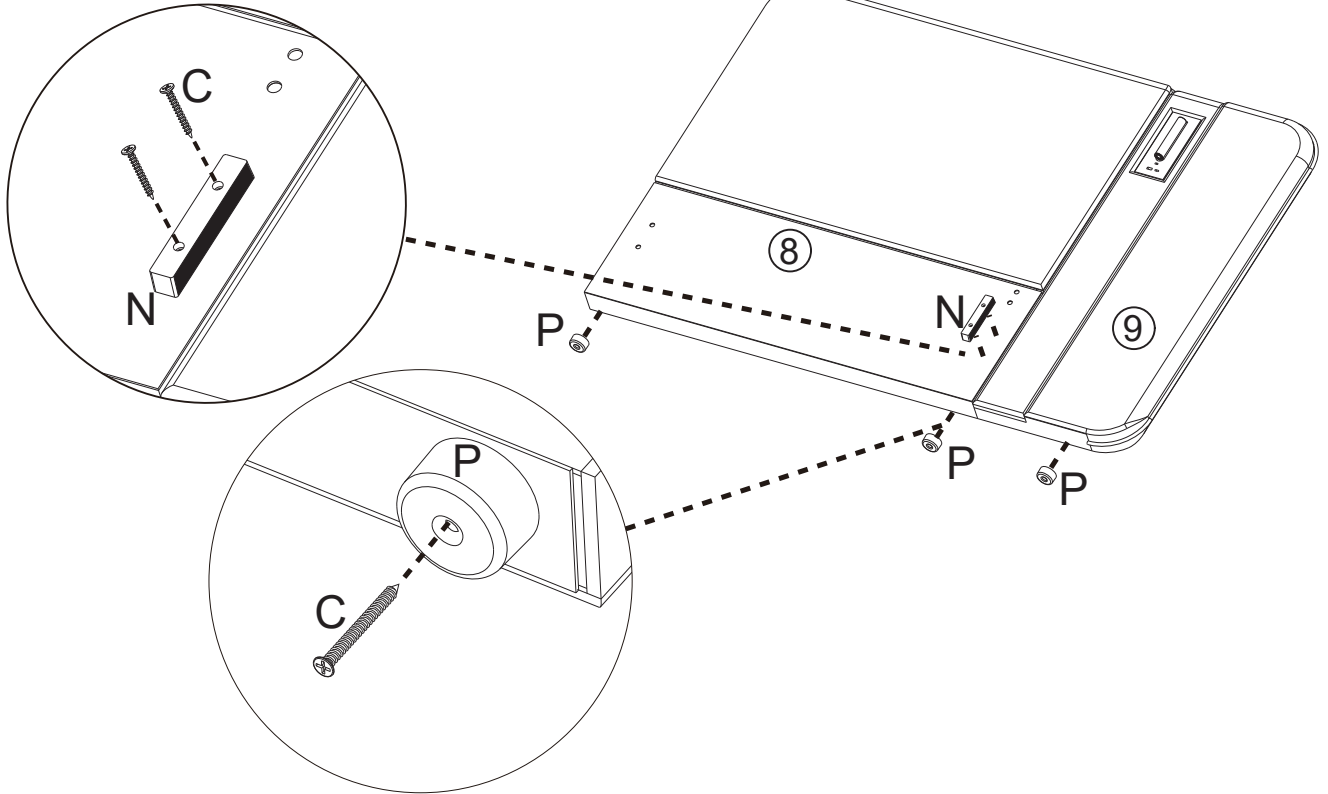
A x 1	J x 8	K x 8	
	 M8 x 35mm		





5

C x 5 M4 x 40mm 	N x 1 	P x 3 	
---	--	--	--

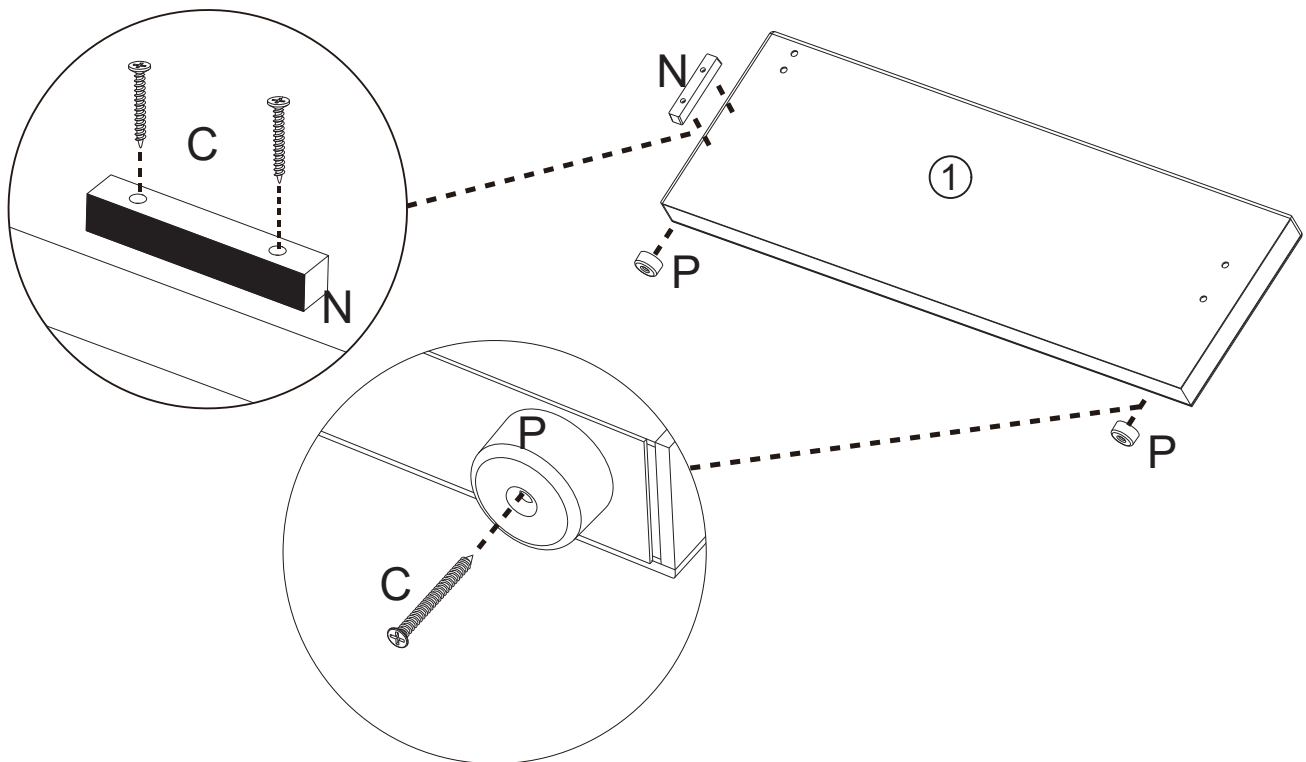
Pay attention to the direction of the Velcro.



6

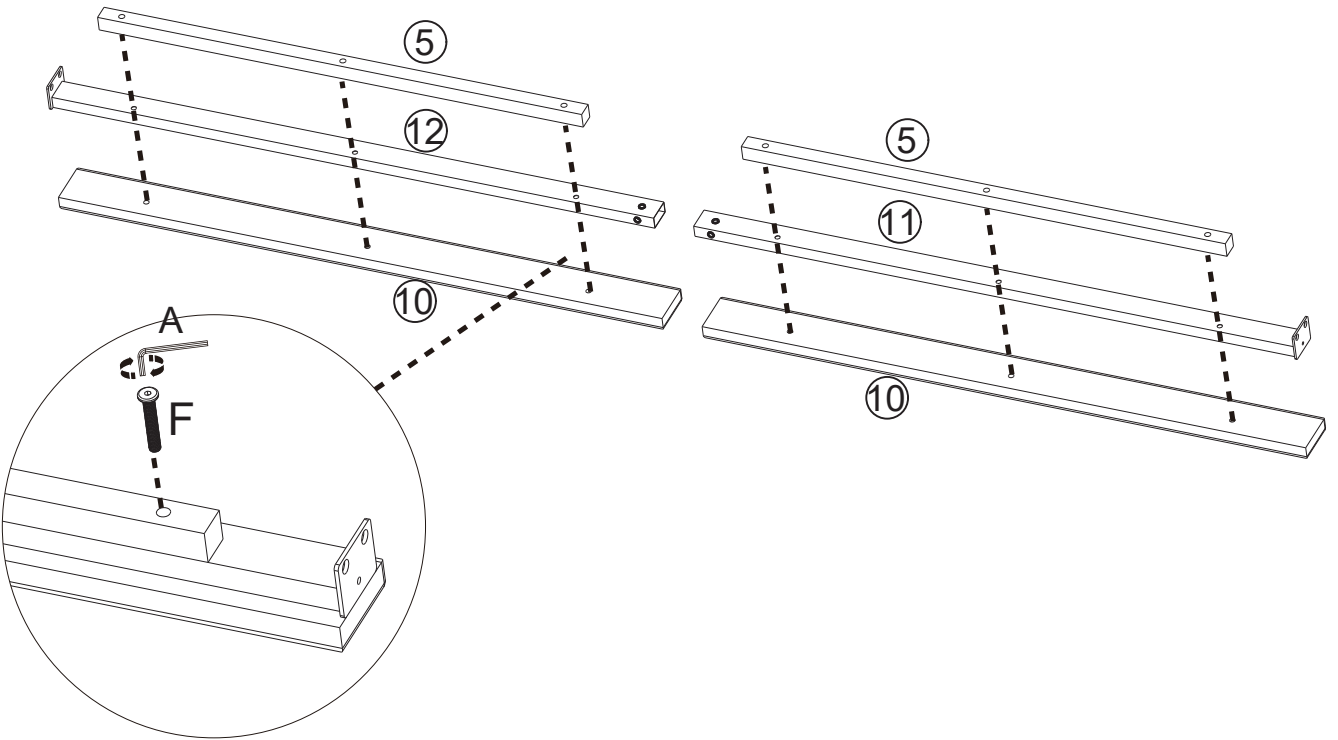
C x 4 M4 x 40mm 	N x 1 	P x 2 	
---	--	--	--

Pay attention to the direction of the Velcro.





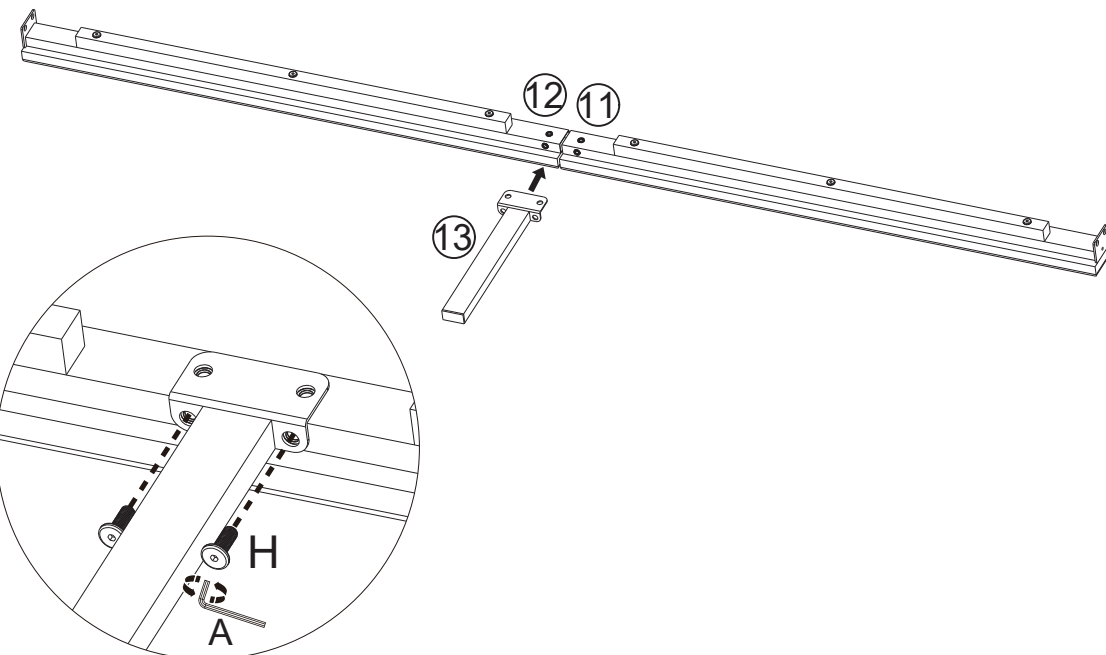
7

A x 1	F x 6	
	 M6 x 60mm	



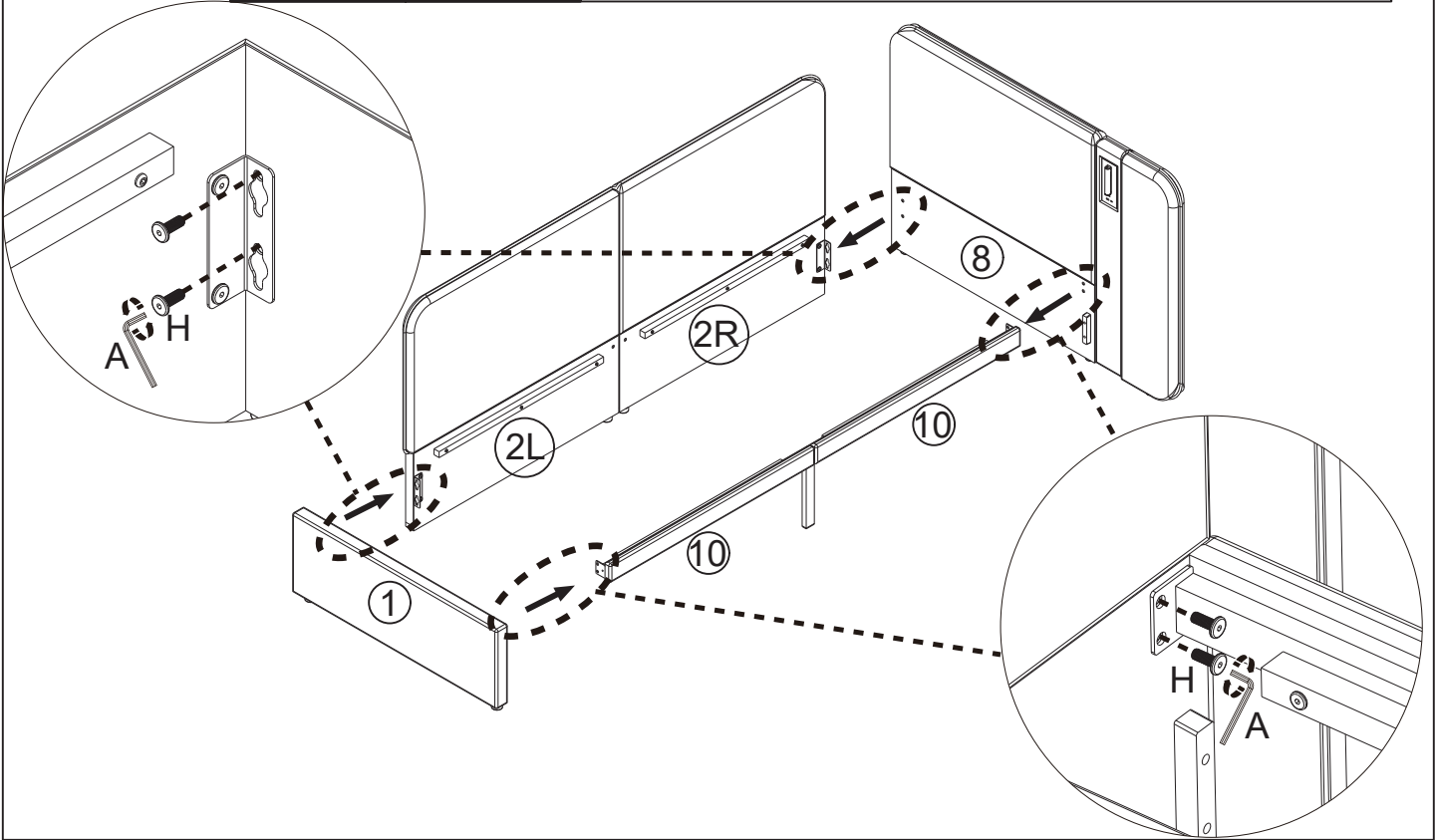
8

A x 1	H x 2	
	 M8 x 20mm	



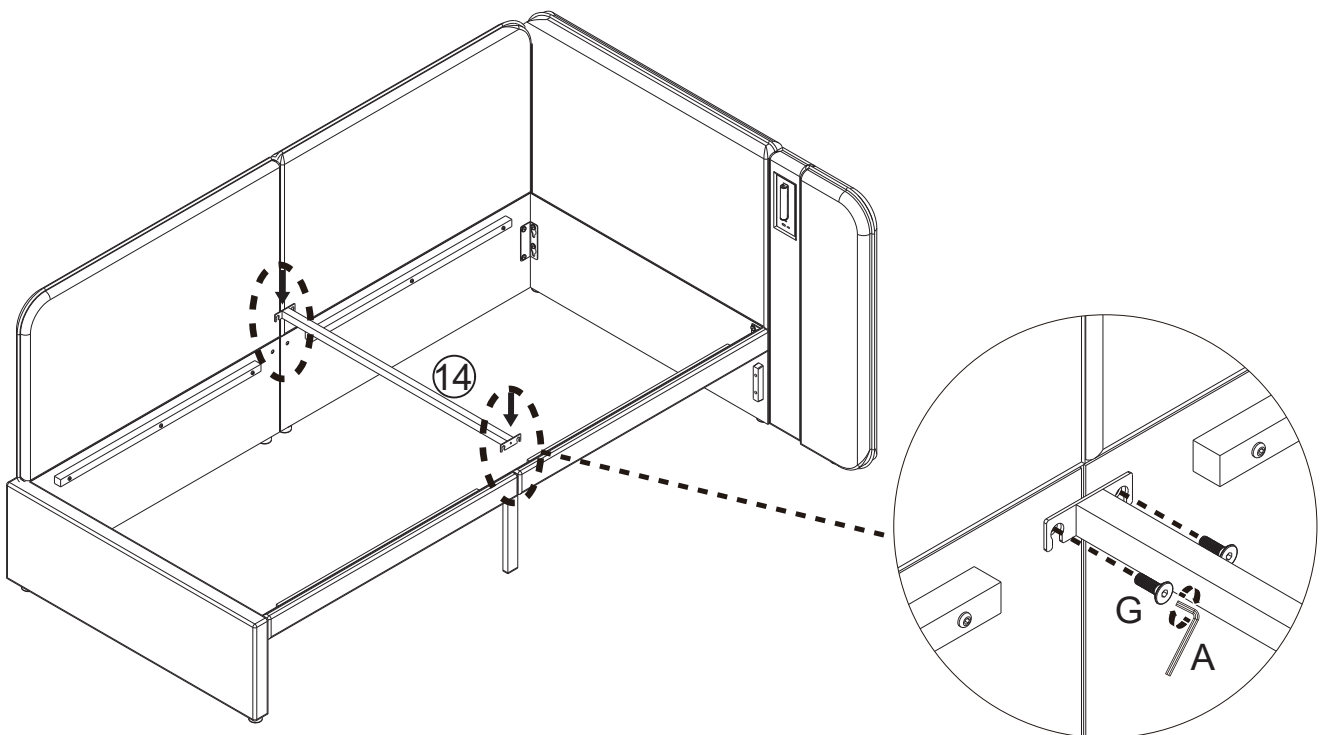
9

A x 1	H x 8
	
	M8 x 20mm



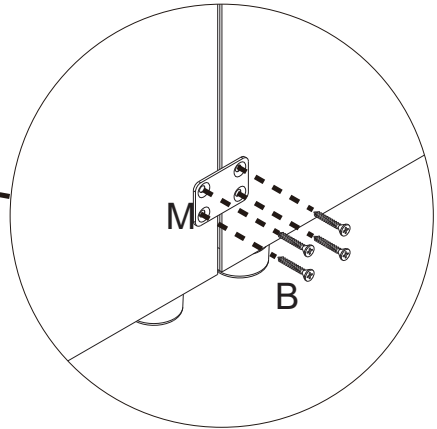
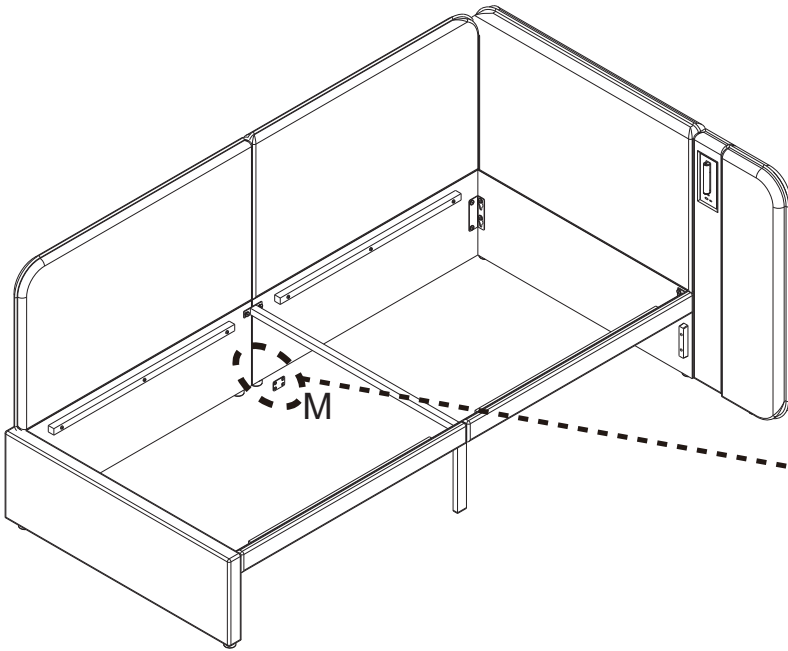
10

A x 1	G x 4
	
	M8 x 18mm



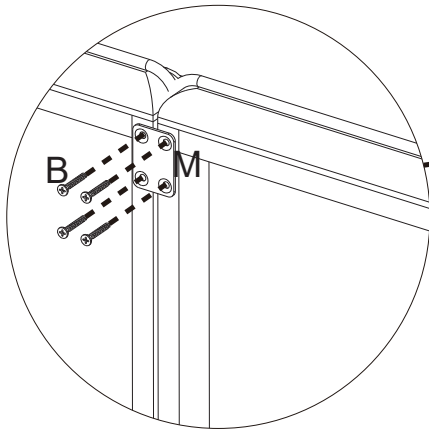
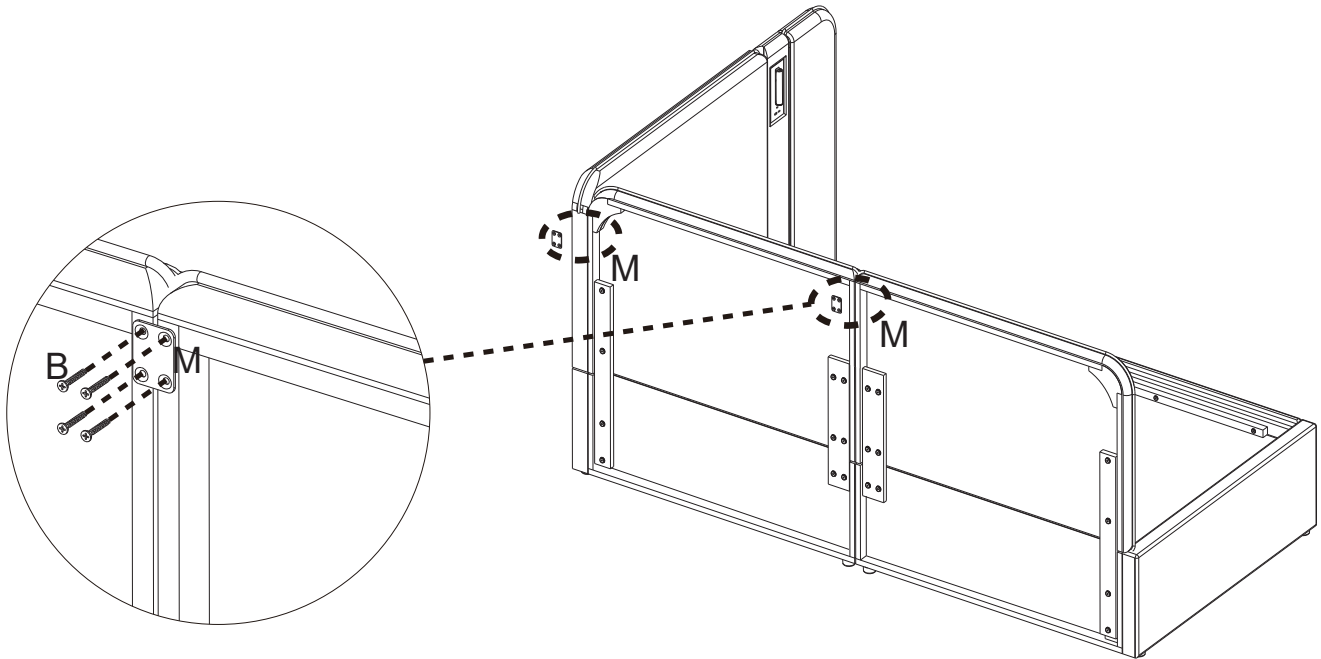
11

<p>B x 4</p>  <p>M4 x 20mm</p>	<p>M x 1</p> 	
---	--	--

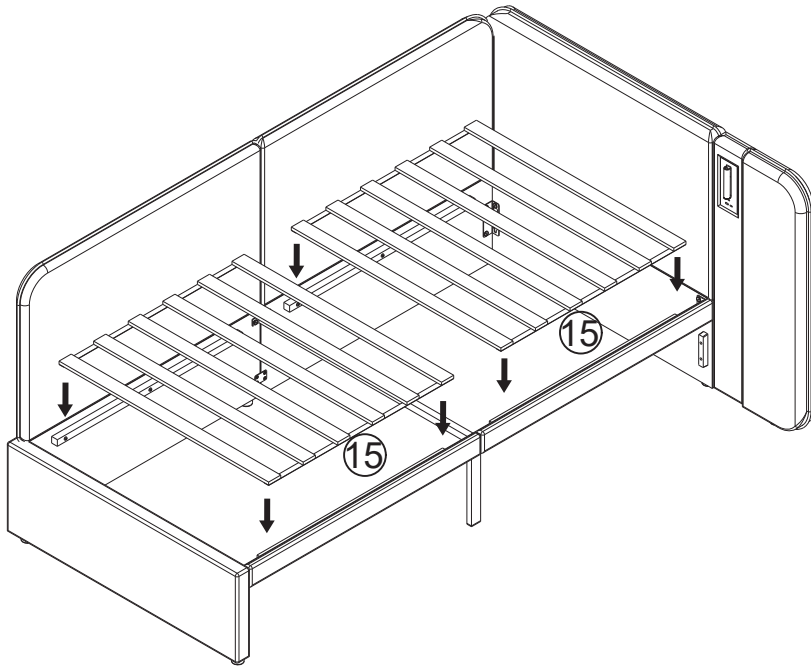


12

<p>B x 8</p>  <p>M4 x 20mm</p>	<p>M x 2</p> 	
---	--	--

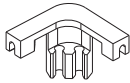


13

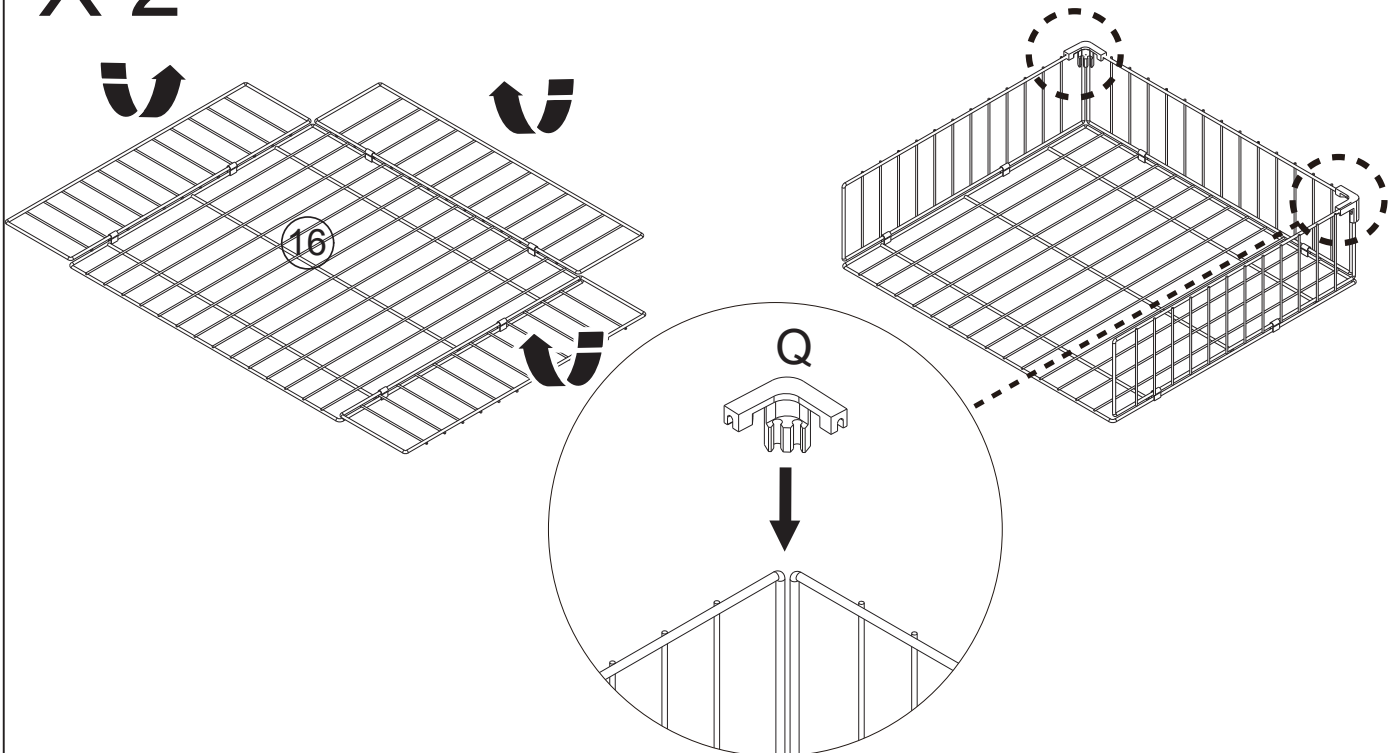


14

Q x 4

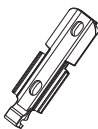


X 2

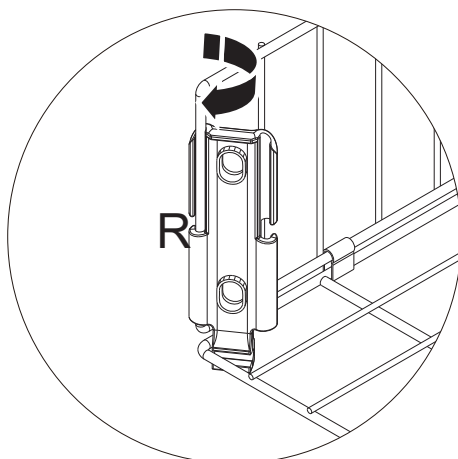
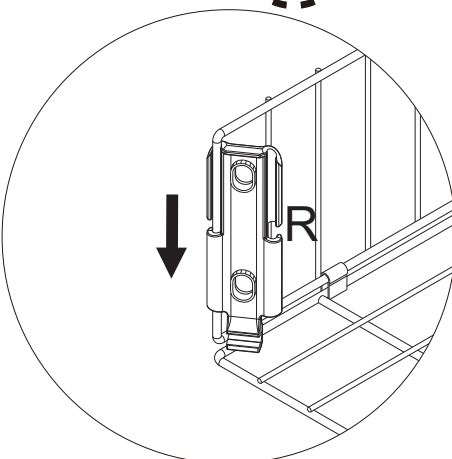
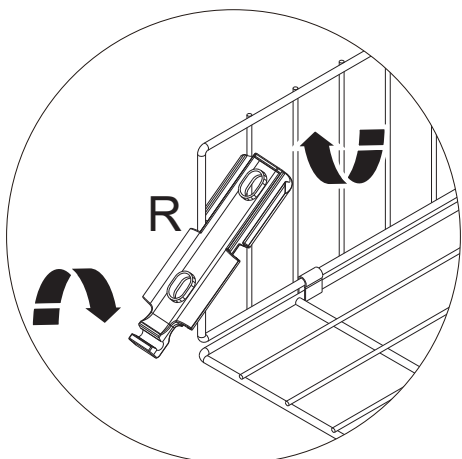
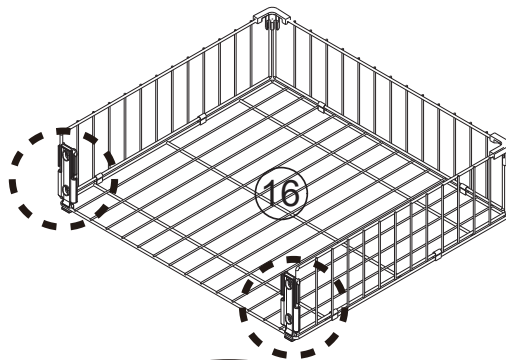


15

R x 4

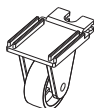


X 2

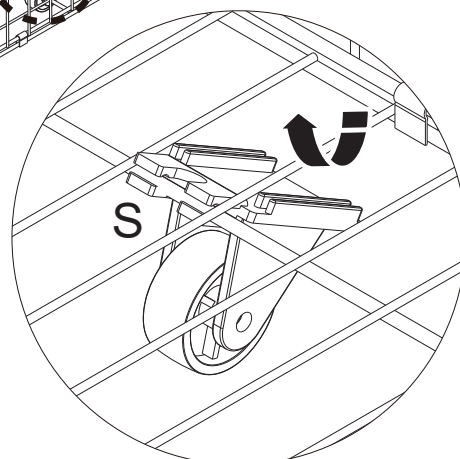
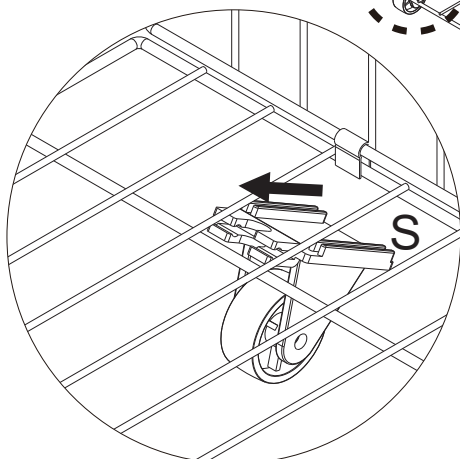
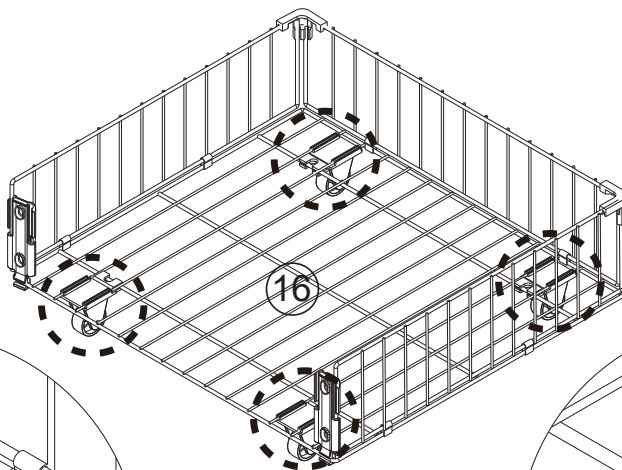


16

S x 8






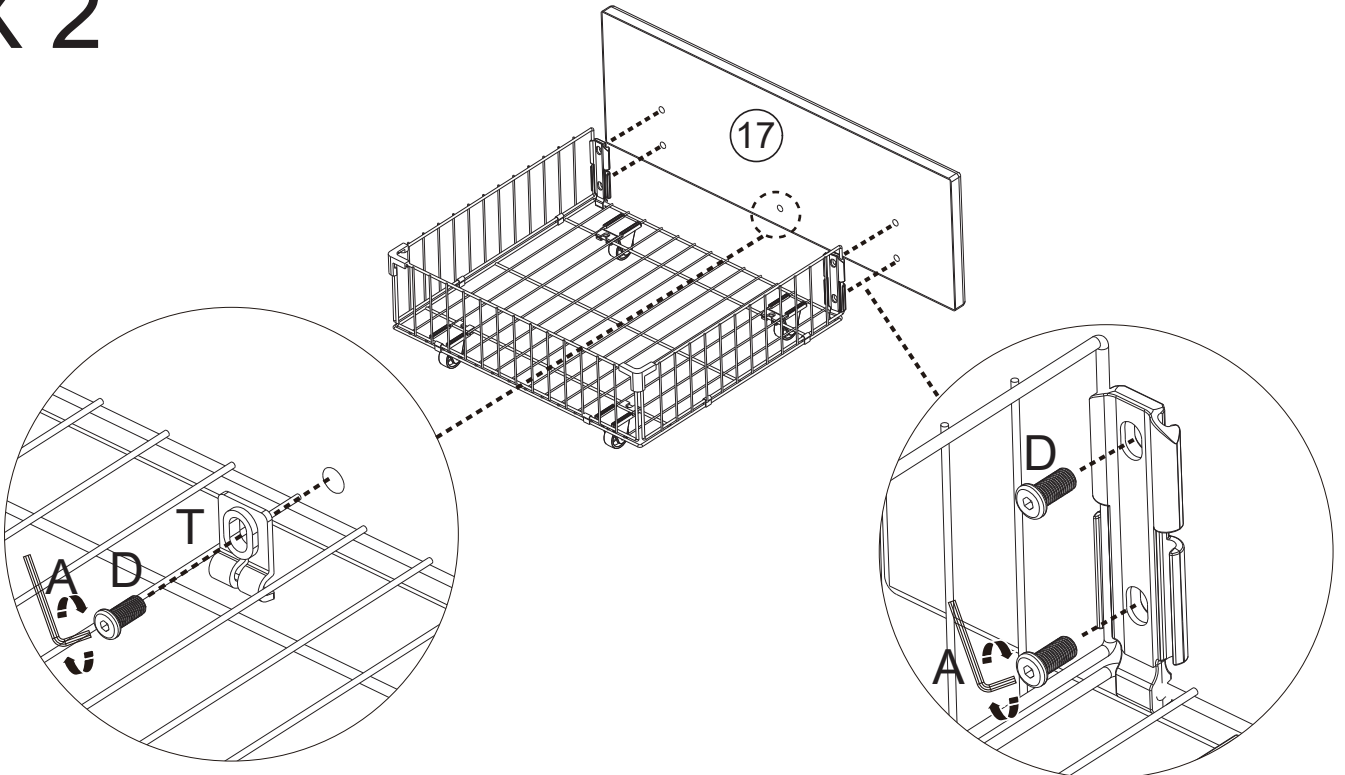
X 2



17

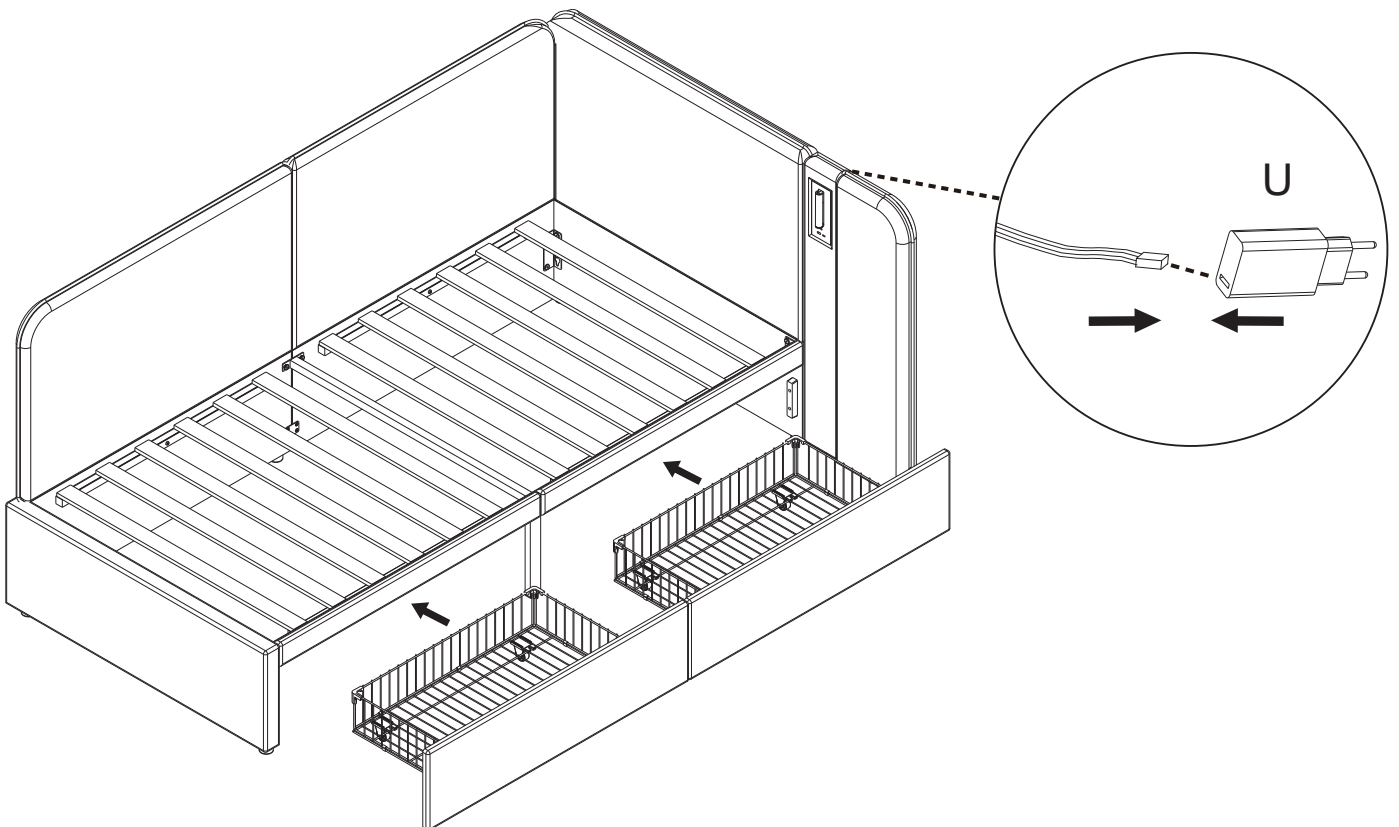
X 2

A x 1 	D x 10  M8 x 16mm	T x 2 	
--	--	--	--

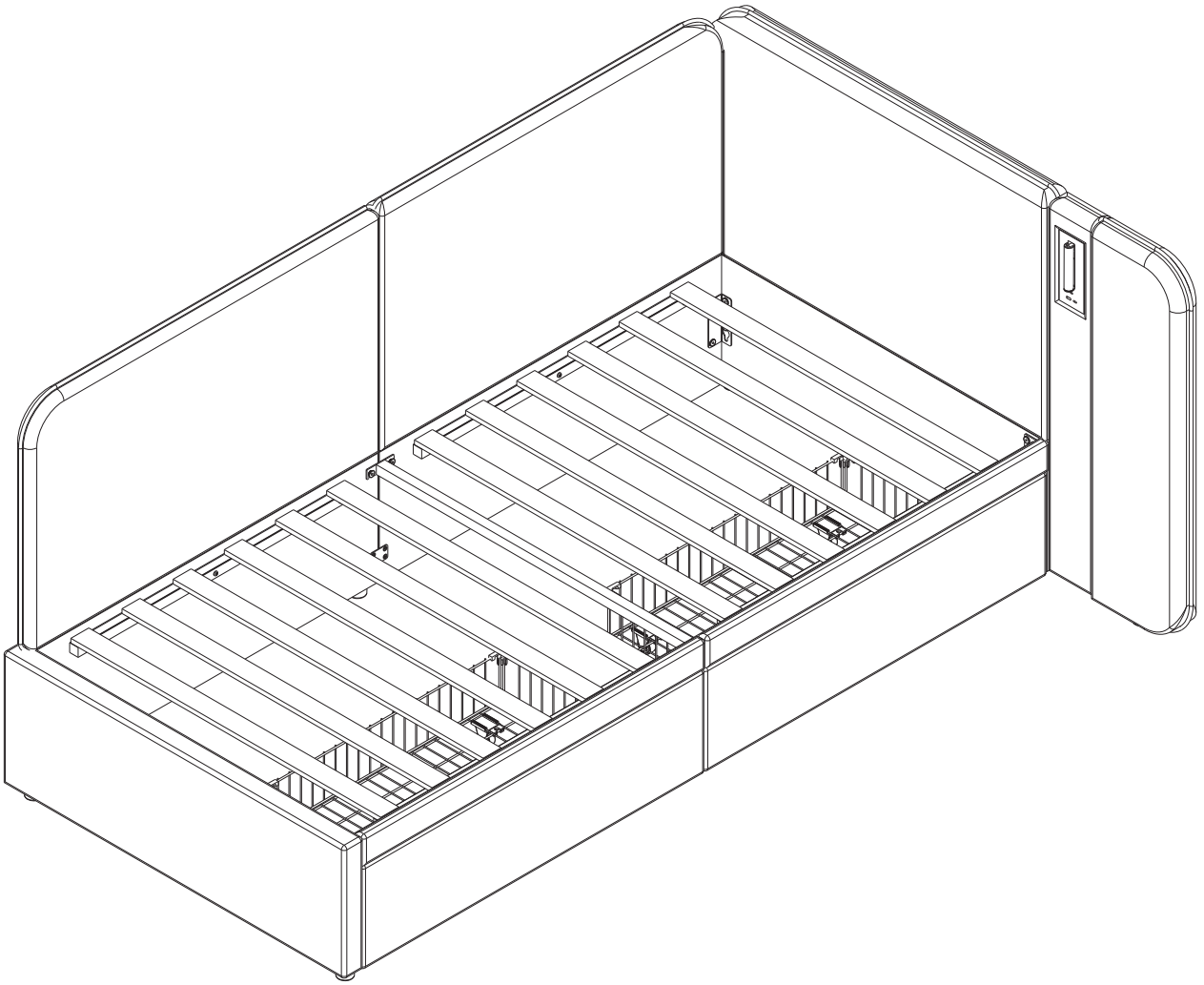


18

U x 1 	
--	--



19





CERTIFICATE OF CONFORMITY

Low Voltage Directive 2014/35/EU

Appendix of Certificate No.: XXXXXXX

Model list:

Model	Rated output		
	Voltage range (VDC)	Current range (A)	Max. Power (W)
GAT-050xxxx, GA-050xxxxV	5.0	1.0-2.1	10.5

Remark:
xxxx=1000-2100 stands for rated output voltage range 1.0-2.1A with step of 1.0mA. For example, 1000 represent 1.0V, 2100 represent 2.1A.



DongGuan Pubiao Testing Technology Co., Ltd
No. 3, First Floor, Building A, No.30, Minghua Road, Juzhou village, Shijie Town, Dongguan City Guangdong China
Tel: +86 769 81813516 E-mail: service@pubiaotest.com Web: www.pubiaotest.com



CERTIFICATE OF CONFORMITY

Low Voltage Directive 2014/35/EU

This Certificate of Conformity is hereby issued to the product designated below:

Certificate No.....: 23SP04077L01
 Report No.....: SP2304077L01
 Date Issue.....: 2023-04-15
 Applicant's name.....: Huizhou Guoaotong Technology Co., Ltd
 Address.....: 4, 5F (PLANT B) NO.2 RUNZE RD SOUTH HIGH- TECH INDUSTRIAL PARK HUIAO AVENUE HUIZHOU GUANGDONG PR 516000 CHINA
 Manufacturer's name.....: Huizhou Guoaotong Technology Co., Ltd
 Address.....: 4, 5F (PLANT B) NO.2 RUNZE RD SOUTH HIGH- TECH INDUSTRIAL PARK HUIAO AVENUE HUIZHOU GUANGDONG PR 516000 CHINA
 Product Description.....: Adapter
 Model(s)/Type References : GAT-050xxxx, GA-050xxxxv (xxxx is variables, see the attachment for details)
 Parameters.....: Input: 100-240Vac, 50/60Hz, 0.45A or 0.6A
 Output: 5Vdc, 1.0-2.1A
 Standard(s).....: EN IEC 62368-1:2020/A11:2020

On the basis of the referenced test report(s), sample(s) tested of the above product have been found to comply with the standards harmonized with the directives listed on this verification at the time the tests were carried out. Other standards and Directives may be relevant to the product. This verification is part of the full test report(s) and should be read in conjunction with it(them).
Once compliance with all product relevant CE mark directives are verified, including any relevant e.g. risk assessment and production control, the manufacturer may indicate compliance by signing a Declaration of Conformity themselves and applying the mark to products identical to the tested sample(s).

Approved By

Eric Liu
Director of engineering department



Dongguan Pubiao Testing Technology Co., Ltd
No. 3, First Floor, Building A, No.30, Minghua Road, Juzhou village, Shijie Town, Dongguan City Guangdong China
Tel: +86 769 81813516 E-mail: service@pubiaotest.com Web: www.pubiaotest.com



CERTIFICATE OF CONFORMITY

Electromagnetic Compatibility (EMC) Directive 2014/30/EU

This Certificate of Conformity is hereby issued to the product designated below:

Certificate No.....: 23EP04077E01
 Report No.....: EP2304077E01
 Date Issue.....: 2023-04-21
 Applicant's name.....: Huizhou Guoaotong Technology Co., Ltd
 Address.....: 4, 5F (PLANT B) NO.2 RUNZE RD SOUTH HIGH- TECH INDUSTRIAL PARK HUIAO AVENUE HUIZHOU GUANGDONG PR 516000 CHINA
 Manufacturer's name.....: Same as applicant.
 Address.....: Same as applicant.
 Product Description.....: Adapter
 Model(s)/Type References : GAT-050xxxx, GA-050xxxxv (xxxx is variables, see test report for details)
 Parameters.....: Input: 100-240Vac, 50/60Hz, 0.45A or 0.6A
 Output: 5Vdc, 1.0-2.1A
 Standard(s).....: EN 55032:2015+A11:2020+A1:2020
 EN 55035:2017+A11:2020
 EN IEC 61000-3-2:2019+A1:2021
 EN 61000-3-3:2013+A1:2019+A2:2021

On the basis of the referenced test report(s), sample(s) tested of the above product have been found to comply with the standards harmonized with the directives listed on this verification at the time the tests were carried out. Other standards and Directives may be relevant to the product. This verification is part of the full test report(s) and should be read in conjunction with it(them).
Once compliance with all product relevant CE mark directives are verified, including any relevant e.g. risk assessment and production control, the manufacturer may indicate compliance by signing a Declaration of Conformity themselves and applying the mark to products identical to the tested sample(s).

Approved By

Eric Liu
Director of engineering department



Dongguan Pubiao Testing Technology Co., Ltd
No. 3, First Floor, Building A, No.30, Minghua Road, Juzhou village, Shijie Town, Dongguan City Guangdong China
Tel: +86 769 81813516 E-mail: service@pubiaotest.com Web: www.pubiaotest.com

Declaration of Conformity

Certificate No. : RLT2406068-02
 Applicant : EYUE TECHNOLOGY CO., LTD
 2F, XINWANGYUAN HIGH-TECH INDUSTRIAL PARK,
 ZHANGMUTOU TOWN, DONGGUAN, GUANGDONG, 523627 CHINA
 Manufacturer : EYUE TECHNOLOGY CO., LTD
 2F, XINWANGYUAN HIGH-TECH INDUSTRIAL PARK,
 ZHANGMUTOU TOWN, DONGGUAN, GUANGDONG, 523627 CHINA
 Product Name : reading light
 Trademark : N/A
 Main Test Model : EY-L119
 Additional Model : EY-L111, EY-L118, EY-LXXX
 Test Standard : EN IEC 60598-2-2:2012 used in conjunction with
 EN IEC 60598-1:2021 + AMD11:2022
 As shown in the Test Report No. : RLT2406068-02

The EUT described above has been tested by us with the listed standards and found in compliance with the council LVD directive 2014/35/EU. It is possible to use CE marking to demonstrate the compliance with this LVD Directive.
The certificate applies to the tested sample above mentioned only and shall not imply an assessment of the whole production.



Jun.25, 2024

Rhenish-Lab Certification & Testing (Shenzhen) Co., Ltd.
101, Building B, Bailu Plaza, No.48, Gonghe Industrial Road, Gonghe, Xixiang Subdistrict, Bao'an District, Shenzhen, Guangdong, China
www.rhenish-lab.com Tel: +86-755-23012546 Email: service001@rhenish-lab.com

Certificate of Conformity

Certificate No. : RLT2406068-01R1
Applicant : EYUE TECHNOLOGY CO., LTD
2F, XINWANGYUAN HIGH-TECH INDUSTRIAL PARK, ZHANGMUTOU TOWN, DONGGUAN, GUANGDONG, 523627 CHINA
Manufacturer : EYUE TECHNOLOGY CO., LTD
2F, XINWANGYUAN HIGH-TECH INDUSTRIAL PARK, ZHANGMUTOU TOWN, DONGGUAN, GUANGDONG, 523627 CHINA
Product Name : Reading light
Trademark : N/A
Main Test Model : EY-L119
Additional Model : EY-L111, EY-L118, EY-LXXX
Test Standard : EN IEC 55015:2019+A11:2020,
EN 61547:2023
EN IEC 61000-3-2:2019/A1:2021
EN 61000-3-3:2013/A2:2021/AC:2022
As shown in the Test Report No. : RLT2406068-01

The EUT described above has been tested by us with the listed standards and found in compliance with the council EMC directive 2014/ 30/ EU. It is possible to use CE marking to demonstrate the compliance with this EMC Directive.
The certificate applies to the tested sample above mentioned only and shall not imply an assessment of the whole production.



Manager
Jun. 25, 2024

Rhenish-Lab Certification & Testing (Shenzhen) Co., Ltd.
101, Building B, Bailu Plaza, No.48, Gonghe Industrial Road, Gongle, Xixiang Subdistrict, Bao'an District, Shenzhen, Guangdong, China

Certificate of Conformity

Certificate No. : RLT2409164-03
Applicant : EYUE TECHNOLOGY CO., LTD
2F, XINWANGYUAN HIGH-TECH INDUSTRIAL PARK, ZHANGMUTOU TOWN, DONGGUAN, GUANGDONG, 523627 CHINA
Manufacturer : EYUE TECHNOLOGY CO., LTD
2F, XINWANGYUAN HIGH-TECH INDUSTRIAL PARK, ZHANGMUTOU TOWN, DONGGUAN, GUANGDONG, 523627 CHINA
Product Name : Reading light
Trademark : N/A
Main Test Model : EY-L119
Additional Model : EY-L111 EY-L118 EY-LXXX
Test Standard : IEC 62321-4:2013+AMD1:2017, IEC 62321-5:2013,
IEC 62321-6:2015, IEC 62321-7-1:2015,
IEC 62321-7-2:2017, IEC 62321-8:2017
As shown in the Test Report No. : RLT2409164-03

The EUT described above has been tested by us and found in compliance with the council RoHS 2 Directive 2011/65/EU Annex II (EU) 2015/863 as last amended by Directive (EU) 2017/2102. This certificate is only valid in conjunction with the test report.

RoHS



.....
Daniel Wan
Manager
Oct.08, 2024

Rhenish-Lab Certification & Testing (Shenzhen) Co., Ltd.
101, Building B, Bailu Plaza, No.48, Gonghe Industrial Road, Gongle, Xixiang Subdistrict, Bao'an District, Shenzhen, Guangdong, China
www.rhenish-lab.com Tel: +86-755-23012546 Email: service001@rhenish-lab.com